



Top Rated Product


4.5
★★★★★

verified by Trustindex 

Assembly instructions

Activity toys to be assembled by adults for outdoor domestic use.

Montageanleitung

Aktivitätsspielzeug zum Selbstaufbau für den häuslichen Außenbereich.

Instructions de montage

Jouet d'activité à assembler pour une utilisation familial en extérieur

2 PART

00_assembly_instructions

Design Code : wpf4c4
Article Number : 211063
Product Name : **Jungle Cottage 2.1**
Audit ID : 801_090



Manual ID: 040_033_2417


3D | 360°
View



Jungle Gym

BACKYARD PLAYGROUNDS

since 1988

Assembly time ca.

4.0
hours
by 2 adults

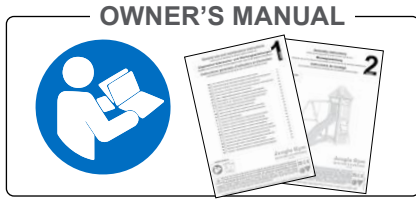


EN. Warning! Only for domestic use. Maximum number of users is **5**. **DE.** Achtung! Nur für den Hausgebrauch. Maximale Benutzerzahl: **5**. **FR.** Attention! Réserve à un usage familial. Le nombre maximal d'utilisateurs est de **5**. **BG.** Внимание! За употреба само в домашни условия. Максималният брой потребители е **5**. **CS.** Varování! Jen pro domácí použití. Maximální počet uživatelů je **5**. **DA.** Advarsler! Kun til privat brug. Maksimum antal brugere er **5**. **EL.** Προειδοποίηση! Μόνο για οικιακή χρήση. Μέγιστος αριθμός χρηστών **5**. **ES.** Advertencias! Sólo para uso doméstico. Número máximo de usuarios: **5**. **ET.** Hoiatused! Ainult koduseks kasutamiseks. Maksimaalne kasutajate arv on **5**. **FI.** Varoitukset! Ainoastaan kotikäyttöön. Käyttäjää yhteensä enintään **5**. **HR.** Upozorenja! Samo za uporabu u domu. Maksimalan broj korisnika je **5**. **HU.** Figyelmeztetések! Csak otthoni használatra! A használok max. száma: **5**. **IS.** Varnaðaroró! Eingöngu fyrir einkanoðkun í heimahúsum og á einkalóum. Hámarksfjöldi notenda er **5**. **IT.** Avvertenze! Solo per uso domestico. Massimo numero di utenti è **5**. **LT.** Dėmesio! Tik buitiniam naudojimui. Maksimalus naudotojų skaičius **5**. **LV.** Brīdinājumi. Izmantot tikai mājās. Maksimālais lietotāju skaits ir **5**. **NL.** Waarschuwing! Uitsluitend voor huishoudelijk gebruik. Het maximale aantal gebruikers is **5**. **NO.** Advarsler! Kun for privat bruk. Maksimalt antall brukere er **5**. **PL.** Ostrzeżenia! Wyłącznie do użytku domowego. Maksymalna liczba użytkowników to **5**. **PT.** Avisos! Apenas para uso doméstico. O número máximo de utilizadores é **5**. **RO.** Avertismente! Numai pentru uz domestic. Numărul maxim de utilizatori este **5**. **SK.** Upozornenia! Iba na domáče použítie. Maximálne množstvo osôb je **5**. **SL.** Opozorila! Samo za domačo uporabo. Maksimalno število uporabnikov je **5**. **SV.** Varningar! Endast för hemmabruk. Det maximala antalet användare är **5**.





Safety symbols Sicherheitssymbole Symboles de sécurité



Important: Before assembling and using this product, please carefully read the provided Use- and maintenance instructions (Part 1) and assembly instructions (Part 2) thoroughly.

Wichtig: Lesen Sie vor der Montage und Benutzung dieses Produkts die beiliegende Gebrauchs- und Wartungsanweisungen (Teil 1) und die Montageanleitung (Teil 2) sorgfältig durch.

Important: Avant de monter et d'utiliser ce produit, veuillez lire attentivement. Conseils d'utilisation et d'entretien (Partie 1) et les instructions de montage (Partie 2).



Mandatory provisions
Gebotsbestimmungen
Dispositions obligatoires



1-5 **Warnings!**
Achtung!
Attention!



1-12 **Potential hazards**
Potenzielle Gefahren
Dangers potentiels



1-7 **Installation and safety notices**
Installations- und Sicherheitshinweise
Instructions d'installation et de sécurité



1-14 **Assembly and safety notices**
Montage- und Sicherheitshinweise
Instructions de montage et de sécurité



1-7 **Safe play instructions and safety notices**
Sichere Spielanweisungen und Sicherheitswarnungen
Consignes de jeu sécurisé et avis de sécurité



Customer service Kundendienst Service client



 [Frequently Asked Questions](#)

 [Häufig gestellte Fragen](#)

 [Foire aux questions](#)

 [Veelgestelde Vragen](#)



 EU +31 85 44 44 102 *

info@junglegym.com

www.junglegym.com

[instagram.com/junglegymofficial](https://www.instagram.com/junglegymofficial)

* International phone charges may apply.

Availability:

Monday – Thursday:

CET 09:00 AM – 04:00 PM

Friday:

CET 09:00 AM – 01:00 PM



Preparation Vorbereitung Préparation



Complete composition and delivery overview
Vollständige Zusammensetzung und Lieferübersicht
Aperçu complet de la composition et de la livraison



OR



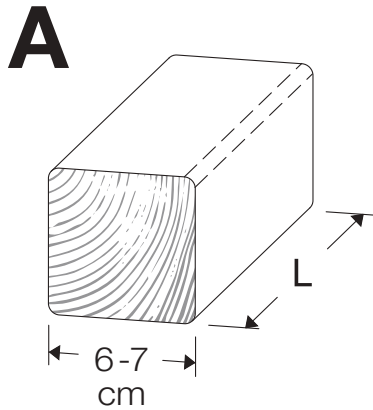
To avoid danger of suffocation, please keep the bag away from children.
 Um Erstickungsgefahr zu vermeiden, halten Sie die Tüte bitte von Kindern fern.
 Pour éviter tout risque d'étouffement, gardez le sac hors de portée des enfants.

Choking hazard – may not be suitable for children under 3 years.
 Erstickungsgefahr – möglicherweise nicht geeignet für Kinder unter 3 Jahren.
 Risque d'étouffement – peut ne pas convenir aux enfants de moins de 3 ans.

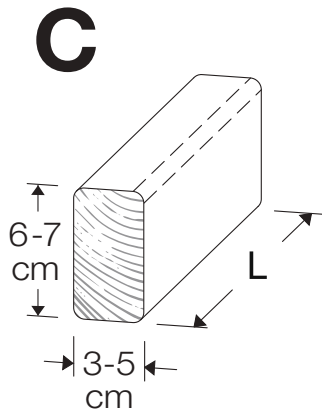


#	Print ID	Description	FFC ID
1	BT14a	Base Tower 115_240240_145	701_092
1	RF23a	Roof Timber Clapboard Slope 115	
1	BL04a	Balustrade 115_T	
1	RW12a	Rock wall 115_145 T R x Balustrade	
1	LA15a	Ladder 115_145 U L x Balustrade	
1	SL11a	Slide Frame 115_145 U R x Balustrade	
1	AC01a	Accessories Set	
1	334_x00	Wavy Star Slide XXL	334_x00

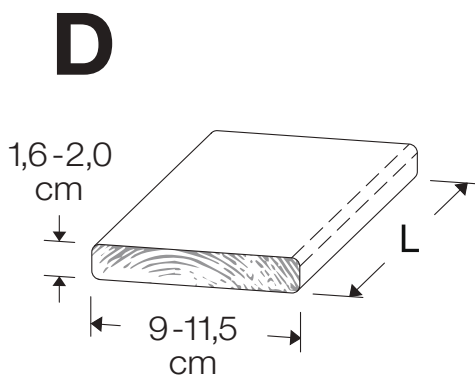
Timber parts list
 Stückliste Holzteile
 Liste des pièces en bois



ID	L	#
A240	239 cm - 240 cm	4



C70	69 cm - 70 cm	2
C84	83 cm - 84 cm	4
C114	113 cm - 114 cm	9
C150	149 cm - 150 cm	2
C206	205 cm - 206 cm	1



D65	64 cm - 65 cm	20
D100	99 cm - 100 cm	14
D114	113 cm - 114 cm	12
D127	126 cm - 127 cm	23

Slide registration
Rutschenregistrierung
Enregistrement du toboggan

Article №: + Color ID: + LOT: ID:



- = 100
- = 200
- = 300
- = 400
- = 500
- = 600

Example

No:	Color ID:	LOT ID:
2	3 2 4	2 2 0 2 2 2 3
1.		
2.		
3.		
4.		

Hardware kit, pack and/or accessory registration
Registrierung von Hardware-Kits, Paketen und/oder Zubehör
Enregistrement du kit matériel, du pack et/ou des accessoires

Article №: + LOT ID:



OR




LOT ID:





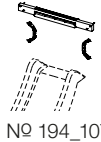



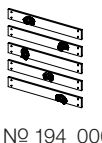


Example

No:	LOT:
1 2 3	4 5 6 2 7 1 1
1.	
2.	
3.	
4.	

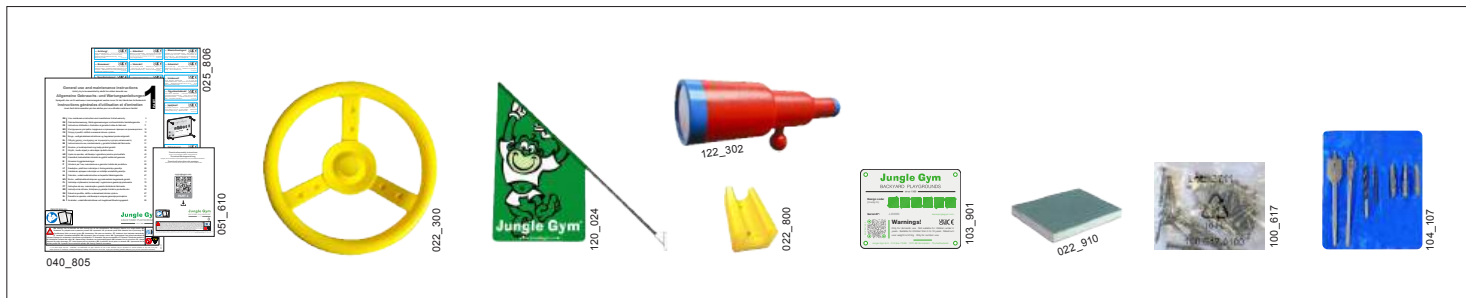
Example

LOT:
AP Manual & Accessory set
  AC
 1x
№ 194_119
LOT: 2 7 1 1

Hardware package and accessory registration
Hardwarebeutel- und Zubehörregistrierung
Enregistrement du sachet de quincaillerie et des accessoires

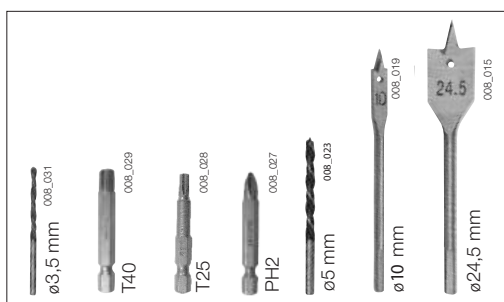
<p>Roof Timber 115</p>  <p>RF</p> <p>Nº 194_308</p> <p>1x</p> <p>LOT: [] [] [] [] [] [] [] [] [] []</p>	<p>Slide XXL 2.6m</p>  <p>SL</p> <p>Nº 334_x00</p> <p>1x</p> <p>LOT: [] [] [] [] [] [] [] [] [] []</p>	<p>Slide Frame</p>  <p>SL</p> <p>Nº 194_107</p> <p>1x</p> <p>LOT: [] [] [] [] [] [] [] [] [] []</p>	<p>Hardware 01</p>  <p>H01</p> <p>Nº 194_101</p> <p>3x</p> <p>LOT: [] [] [] [] [] [] [] [] [] []</p>	<p>Tower 115</p>  <p>BT ET</p> <p>Nº 194_300</p> <p>1x</p> <p>LOT: [] [] [] [] [] [] [] [] [] []</p>
<p>Hardware 03</p>  <p>H03</p> <p>Nº 194_501</p> <p>1x</p> <p>LOT: [] [] [] [] [] [] [] [] [] []</p>	<p>Rock Wall</p>  <p>RW</p> <p>Nº 194_006</p> <p>1x</p> <p>LOT: [] [] [] [] [] [] [] [] [] []</p>	<p>AP Manual & Accessory set</p>  <p>AC</p> <p>Nº 194_119</p> <p>1x</p> <p>LOT: [] [] [] [] [] [] [] [] [] []</p>	<p>Ladder 145</p>  <p>LA</p> <p>Nº 194_004</p> <p>1x</p> <p>LOT: [] [] [] [] [] [] [] [] [] []</p>	

Standard Scope of Delivery
Standard-Lieferumfang
Contenu Standard de la Livraison



194_119

Overview bit and drill bit references
Bit-Übersicht und Bohrer-Referenzen
Aperçu des embouts et références de forets



Fastening hardware & component references
Befestigungsmaterial und Komponentenreferenzen
Références de fixation et de composants

		#	L
 ø 5	 8.8	 ø 8.0 mm	001_404 30 mm
		 ø 8.0 mm	001_406 45 mm
		 ø 8.0 mm	001_411 60 mm
		 ø 8.0 mm	001_417 80 mm
		 ø 8.0 mm	001_422 137 mm
 ø 10	 8.8	 M8	001_102 30 mm
		 ø 2.0 mm	000_101 20 mm
 ø 3.5	 ø 3.5	 ø 6.3 mm	002_036 16 mm
		 ø 4.5 mm	002_041 20 mm
 ø 3.5	 ø 3.5	 ø 3.5 mm	002_042 13 mm
		 ø 3.9 mm	002_301 40 mm

		#	L
 ø 3.5	 ø 3.5	 ø 5.0 mm	002_308 20 mm
		 ø 5.0 mm	002_219 30 mm
		 ø 5.0 mm	002_220 45 mm
		 ø 5.0 mm	002_223 80 mm
 ø 10	 ø 10	 M8	004_050 22mm
		 M8	003_010
		 M6	003_034
		 ø 4.5 mm	022_845 Yellow 022_846 Blue 022_847 Green 022_848 Red
		 ø 3.5 mm	023_031 White
		 ø 3.9 mm	120_005 White



Registration & warnings

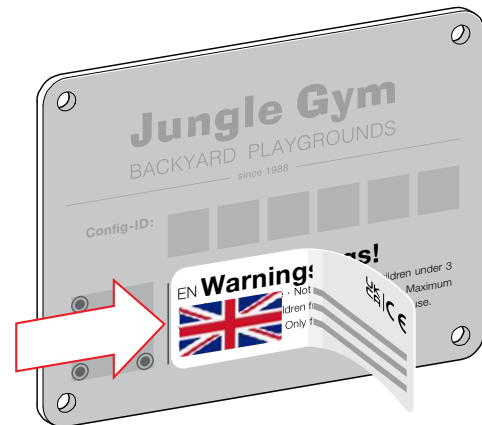
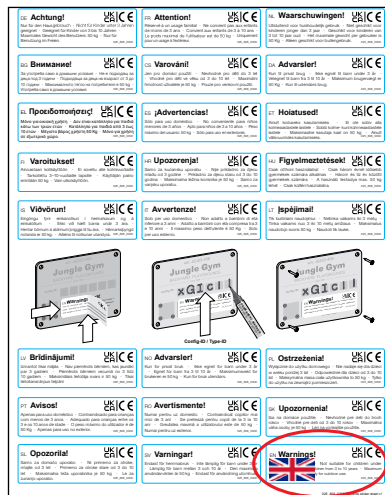
Registrierung & Warnhinweise

Enregistrement & avertissements

Climbing frame identification
Klettergerüst-Identifizierung
Identification de l'aire de jeux



Use warnings
Gebrauchswarnungen
Avertissements d'usage



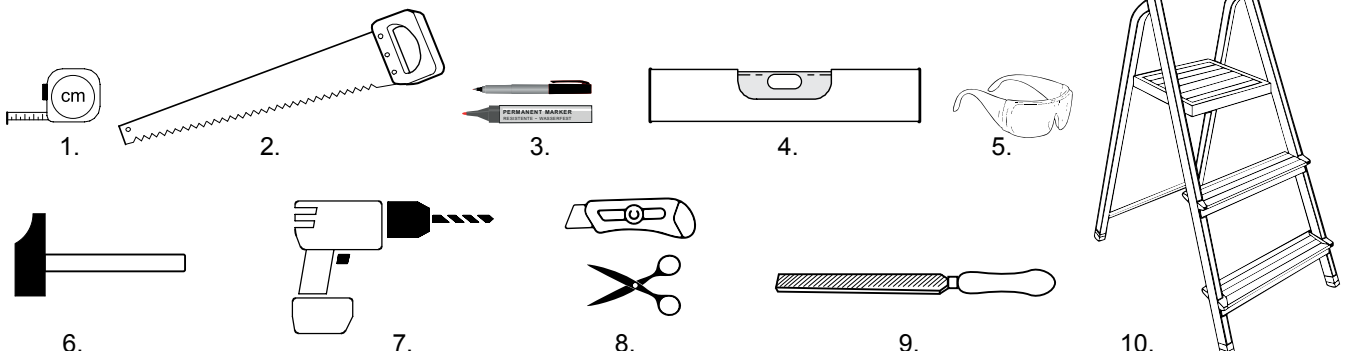
Manual ID: 040_033_2417



Required tools

Benötigtes Werkzeug

Outils nécessaires





Installation and safety notices

Installations- und Sicherheitshinweise

Instructions d'installation et de sécurité

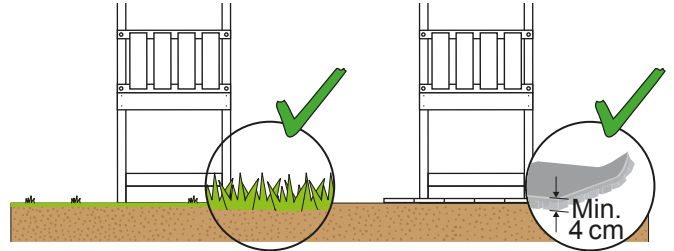
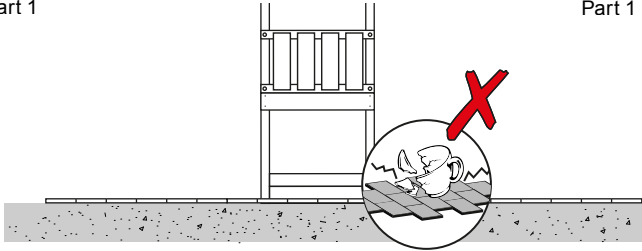


Part 1



6

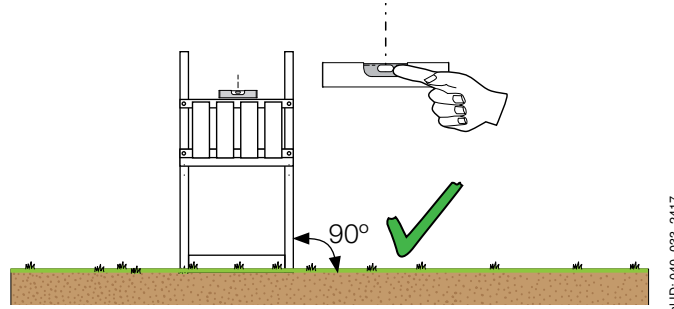
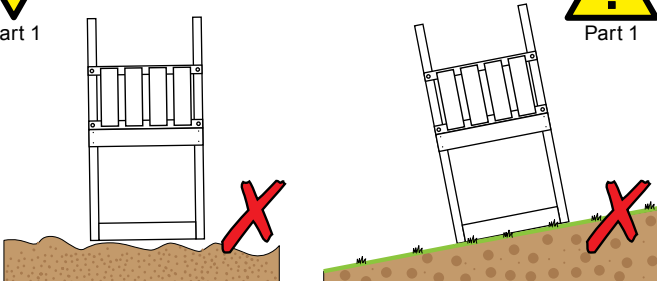
Part 1



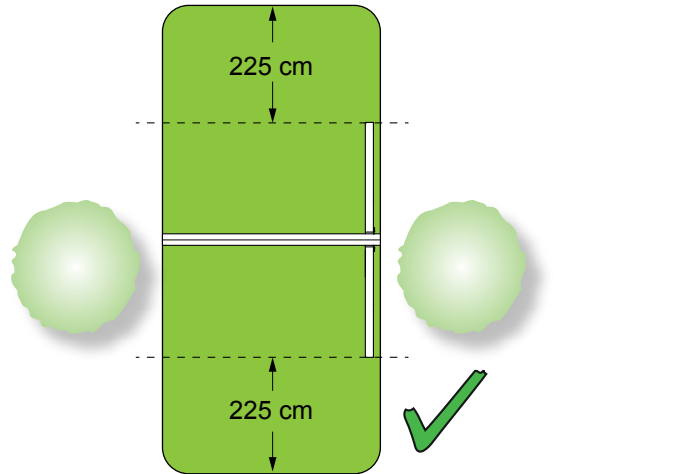
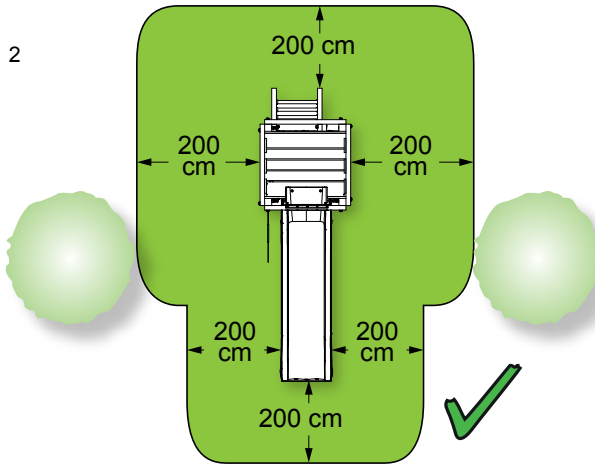
Part 1



Part 1



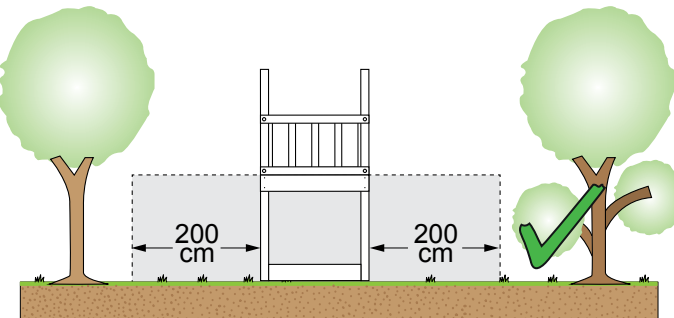
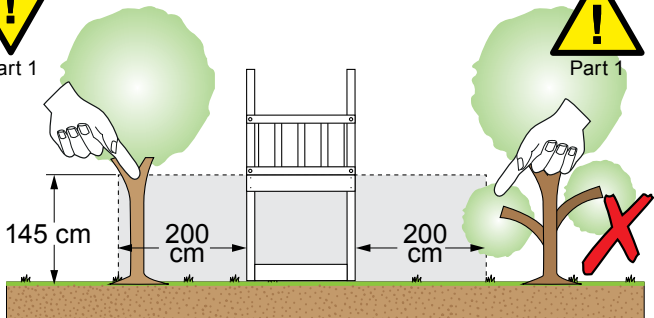
Part 1

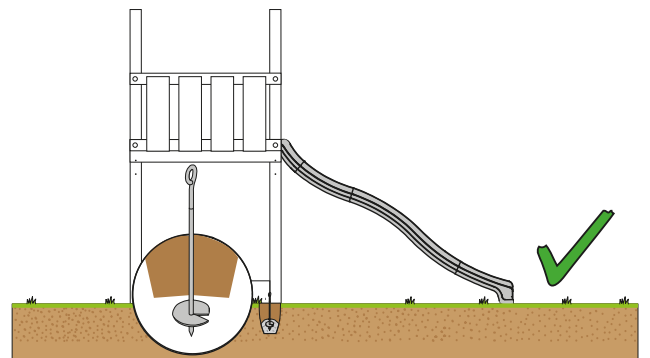
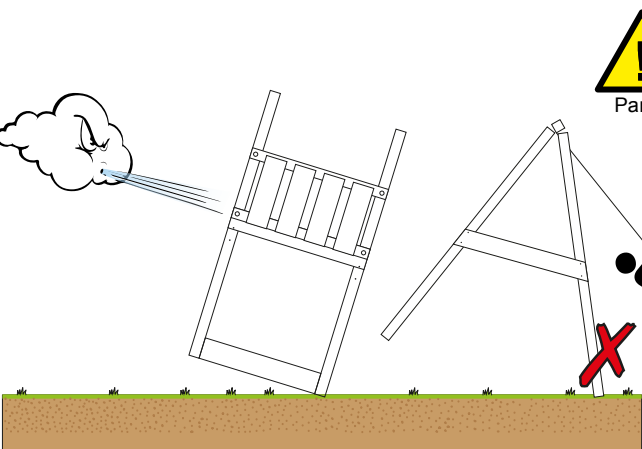
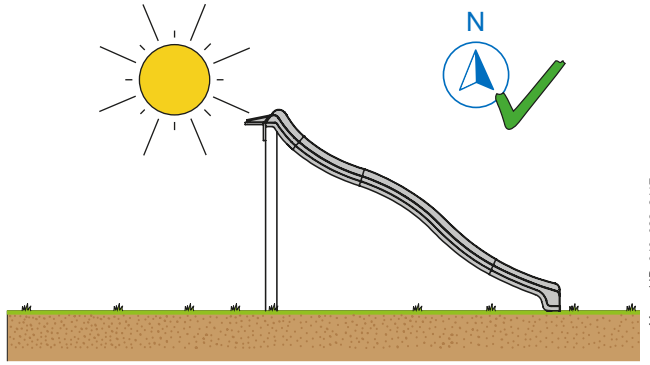
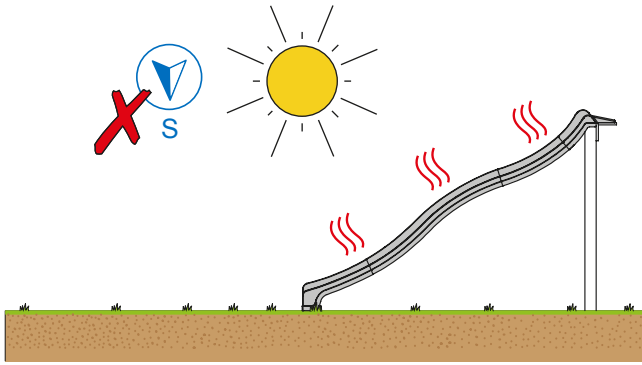
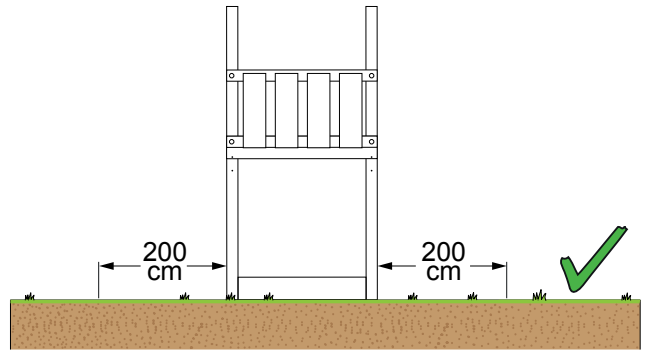
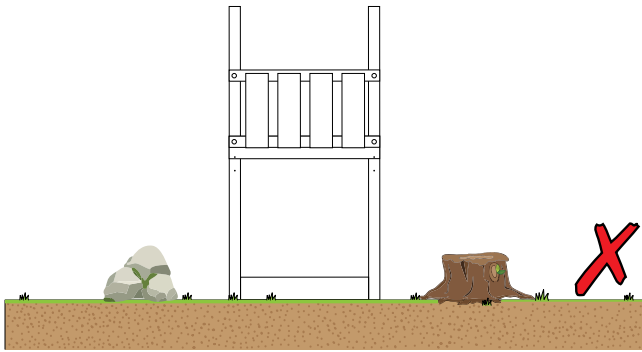


Part 1



Part 1

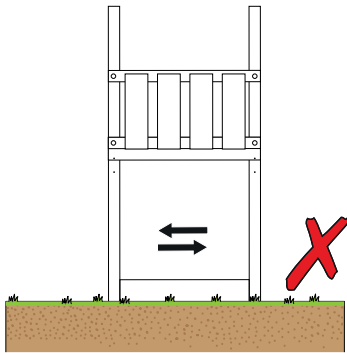




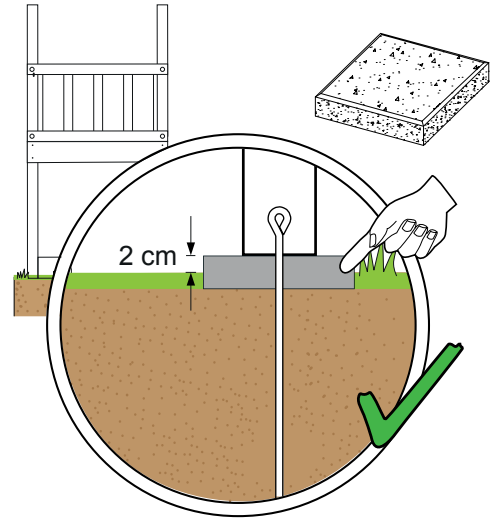
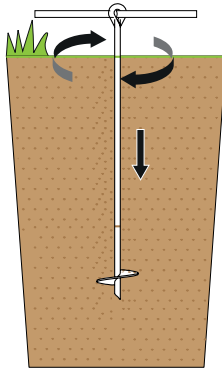
Manual ID: 040_033_2417



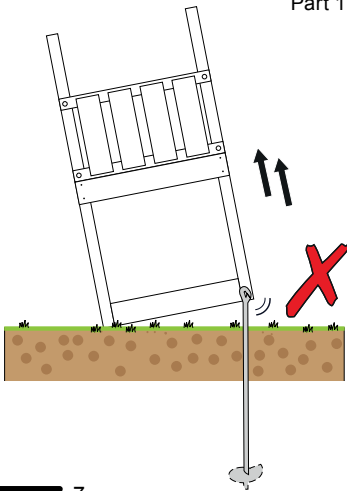
Part 1



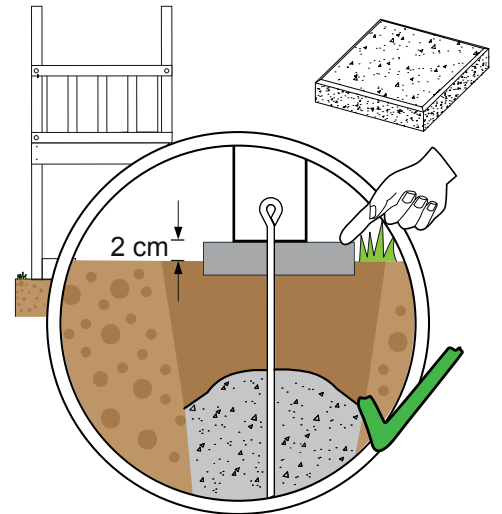
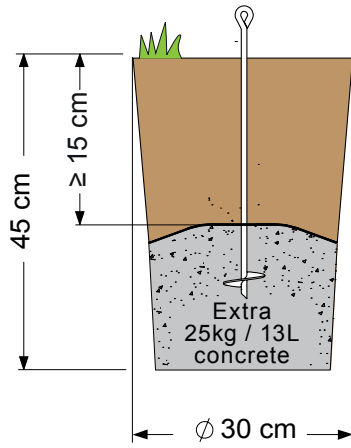
Part 1



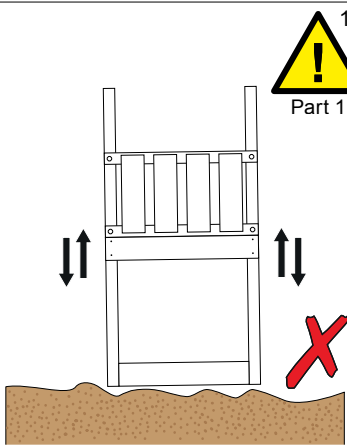
Part 1



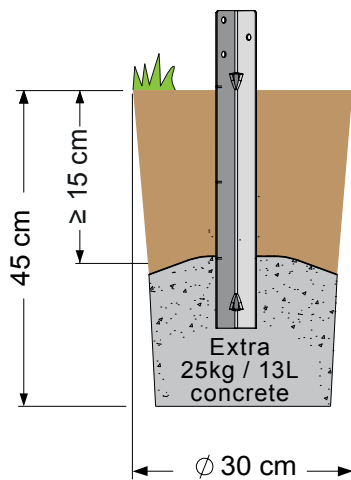
Part 1



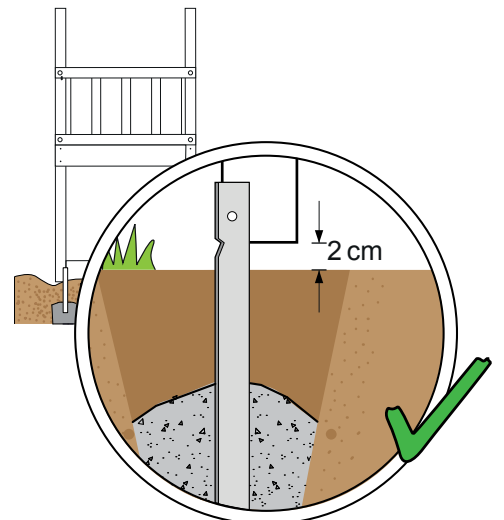
Part 1



Part 1



Optional: Post anchors

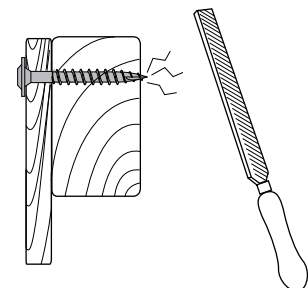
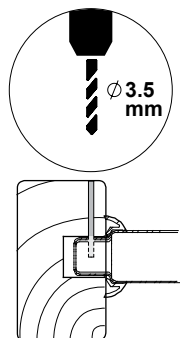
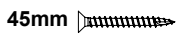
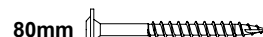
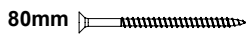
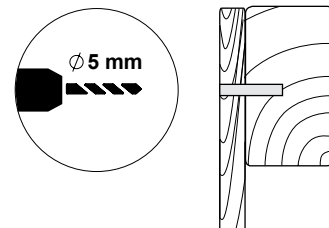
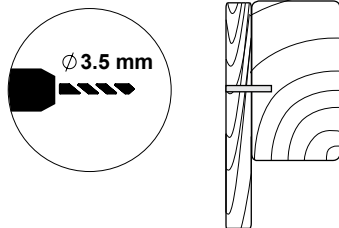
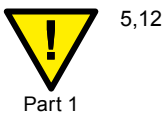
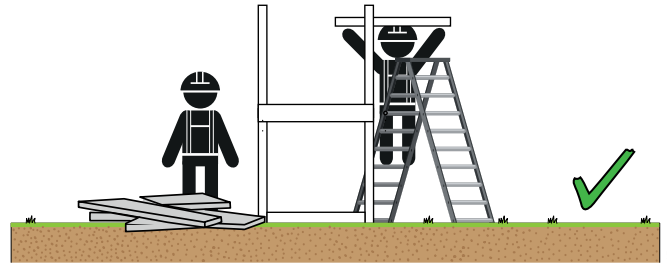
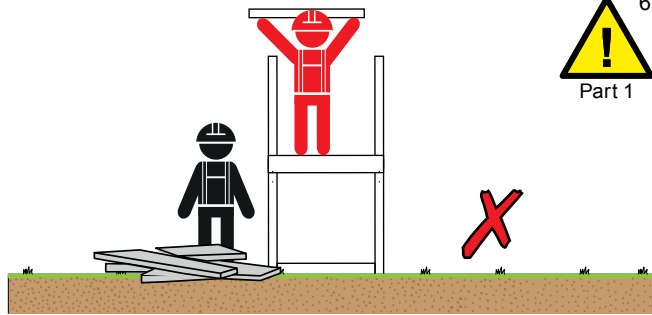
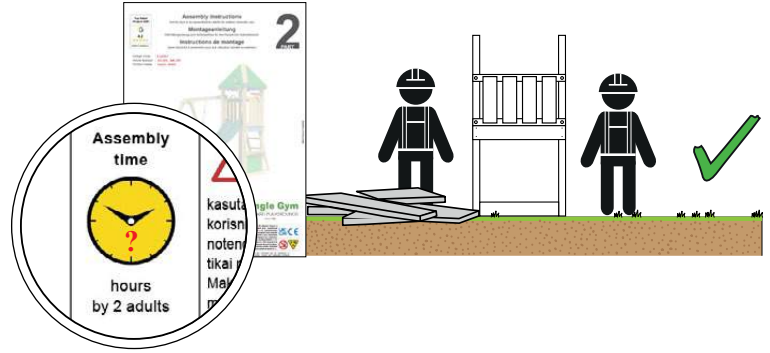
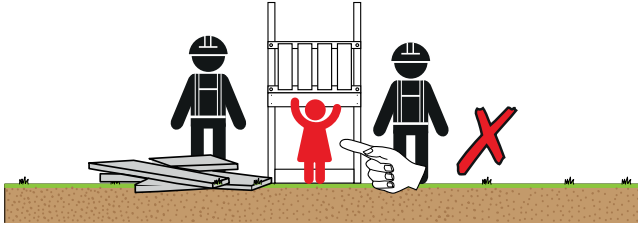
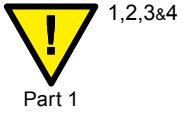




Assembly and safety notices

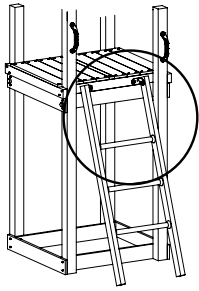
Montage- und Sicherheitshinweise

Instructions de montage et de sécurité

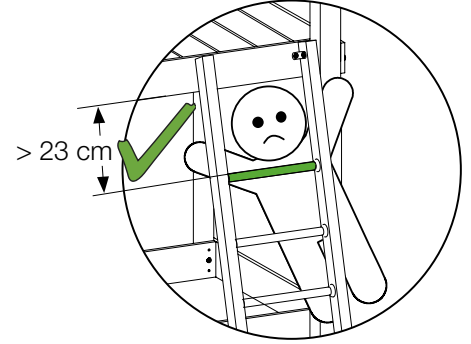
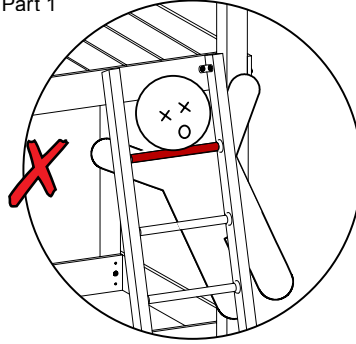




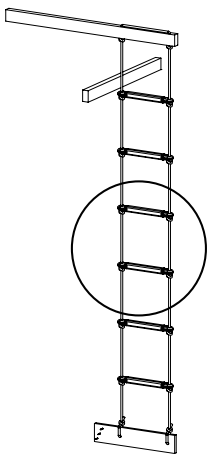
Part 1



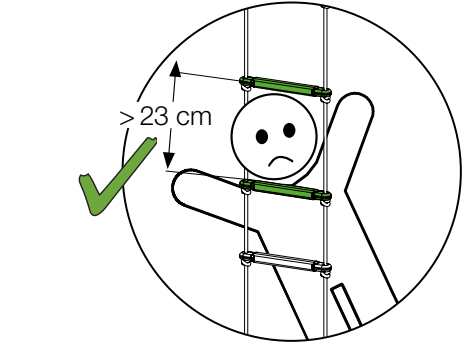
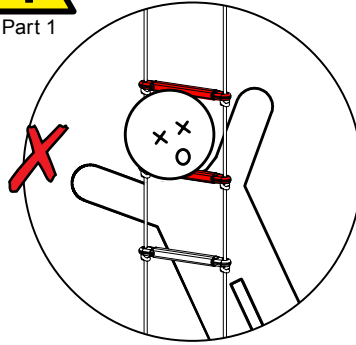
Part 1



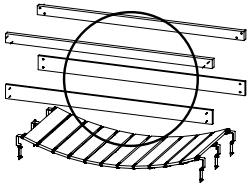
Part 1



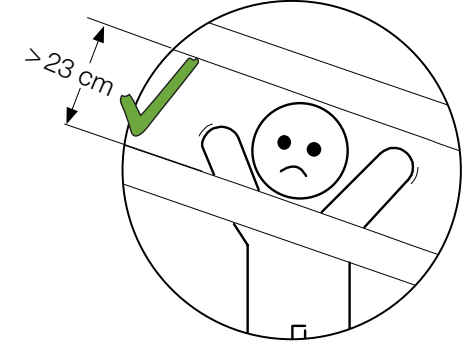
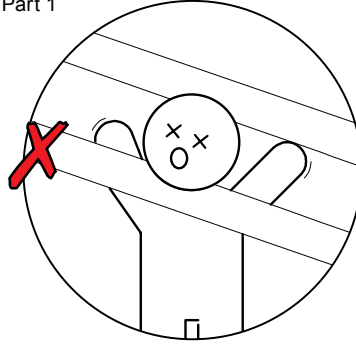
Part 1



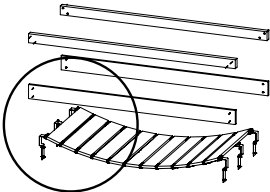
Part 1



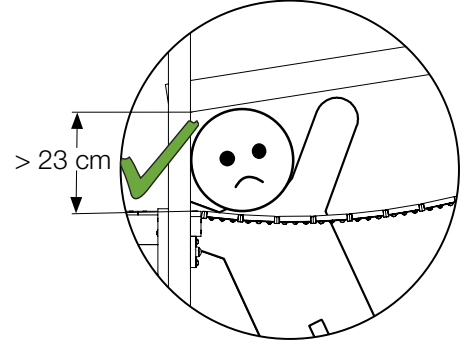
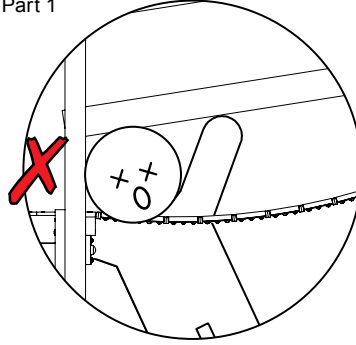
Part 1



Part 1



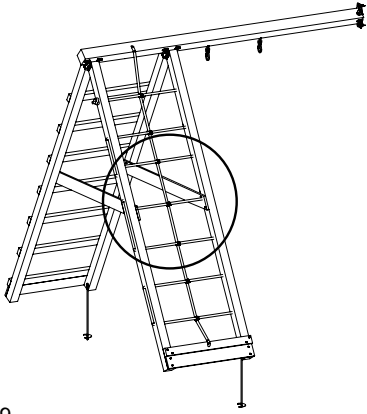
Part 1





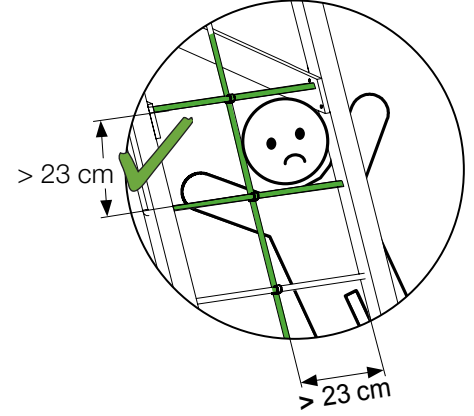
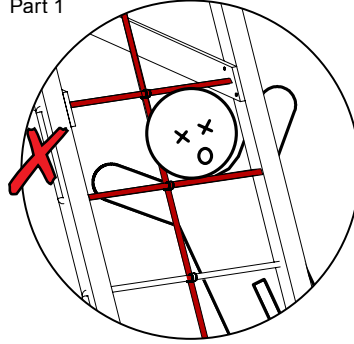
8&9

Part 1



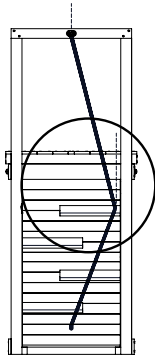
9

Part 1



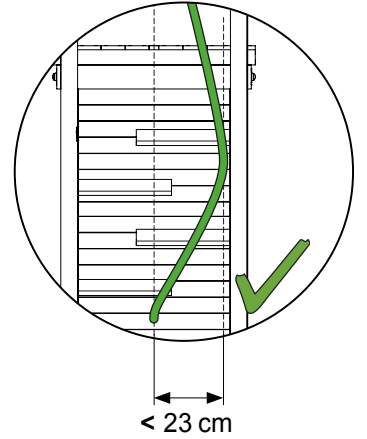
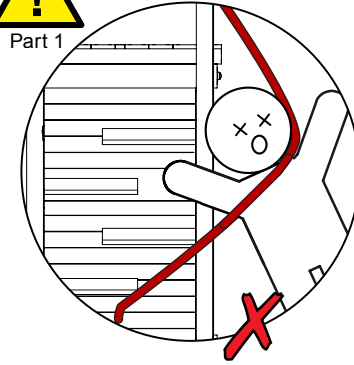
8&9

Part 1



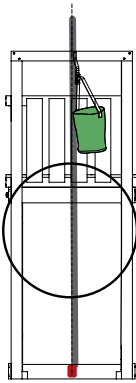
9

Part 1



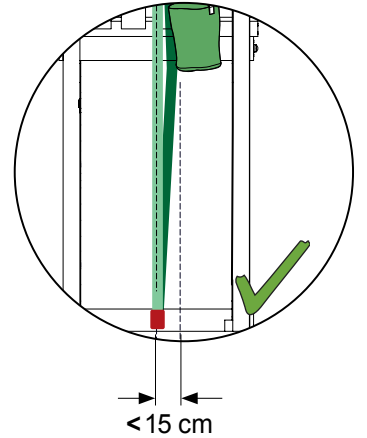
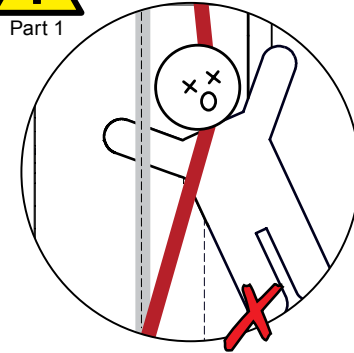
8&9

Part 1



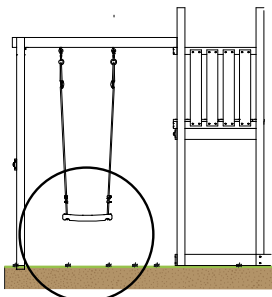
9

Part 1



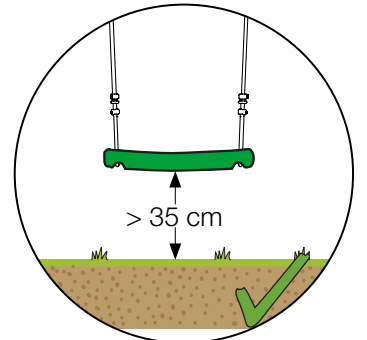
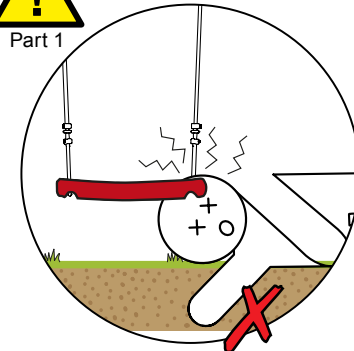
8&9

Part 1



3

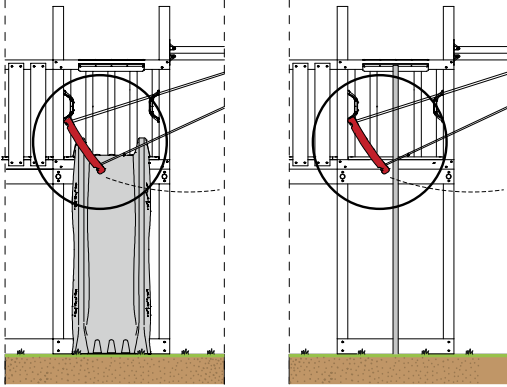
Part 1





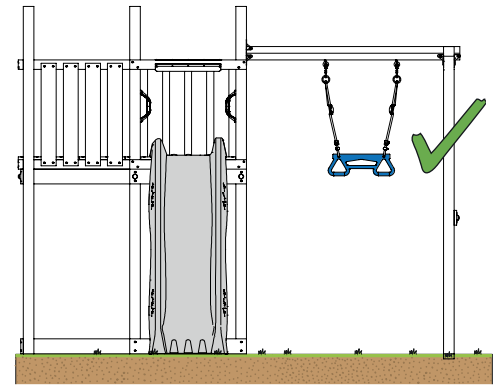
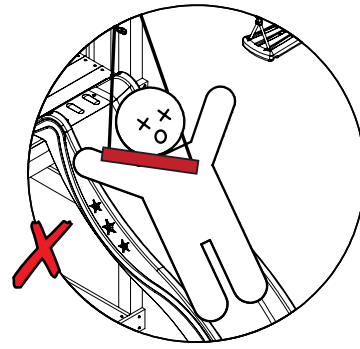
10

Part 1



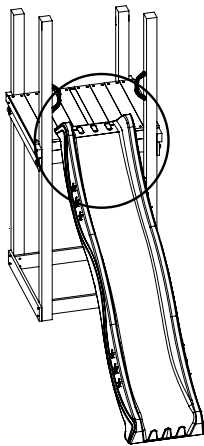
4&9

Part 1



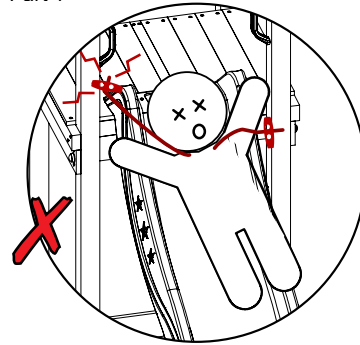
10

Part 1

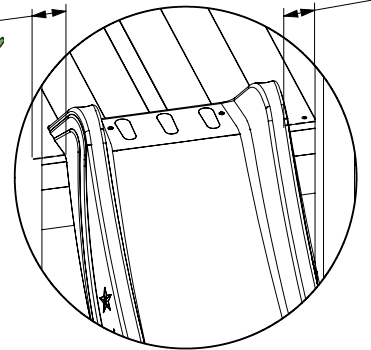


4&9

Part 1



min. 26 mm
max. 75 mm

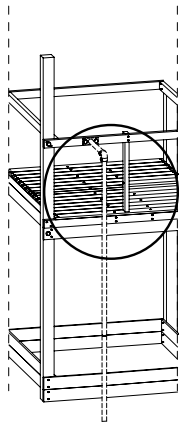


min. 26 mm
max. 75 mm



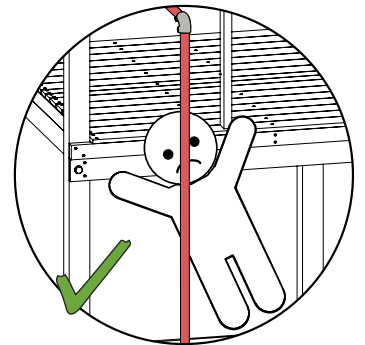
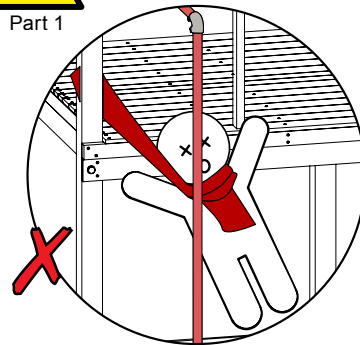
10

Part 1



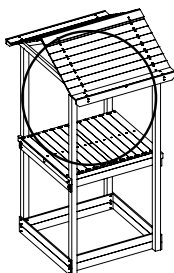
4&9

Part 1



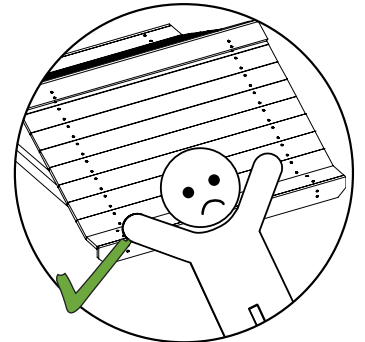
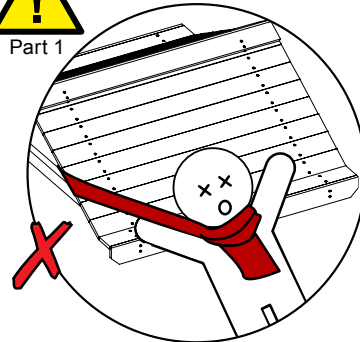
13

Part 1



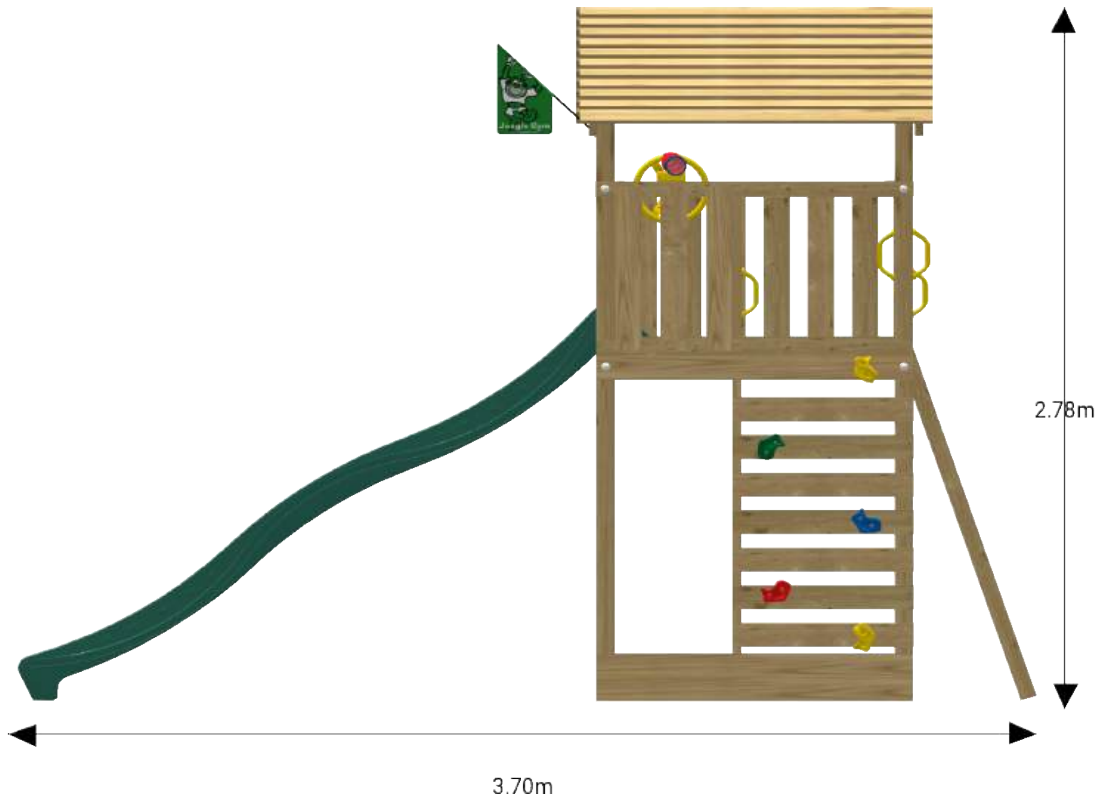
4&9

Part 1







Dimensions Abmessungen Dimensions



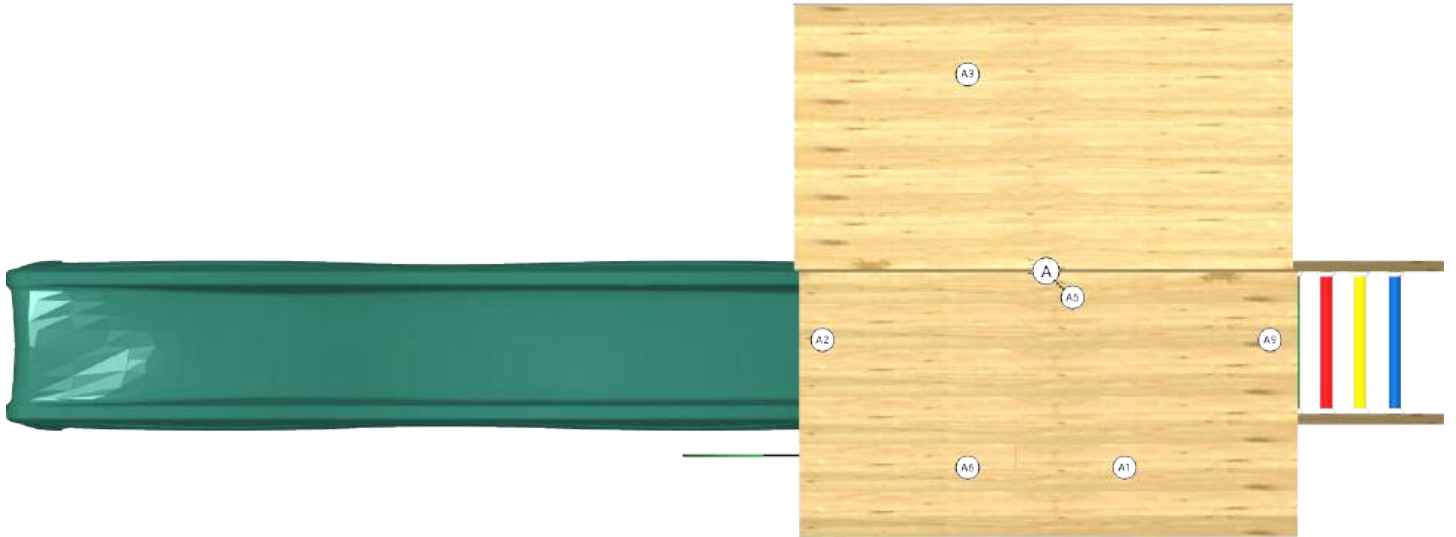








Assembly sequence Montagereihenfolge Séquence d'assemblage



3D | 360°
View

Scan | Click



	Print ID			Positions
1	BT14a		p.19	(A)
2	BL04a		p.22	(A3)
3	RF23a		p.23	(A5)
4	RW12a		p.25	(A1)
5	LA15a		p.28	(A9)
6	SL11a		p.31	(A2)

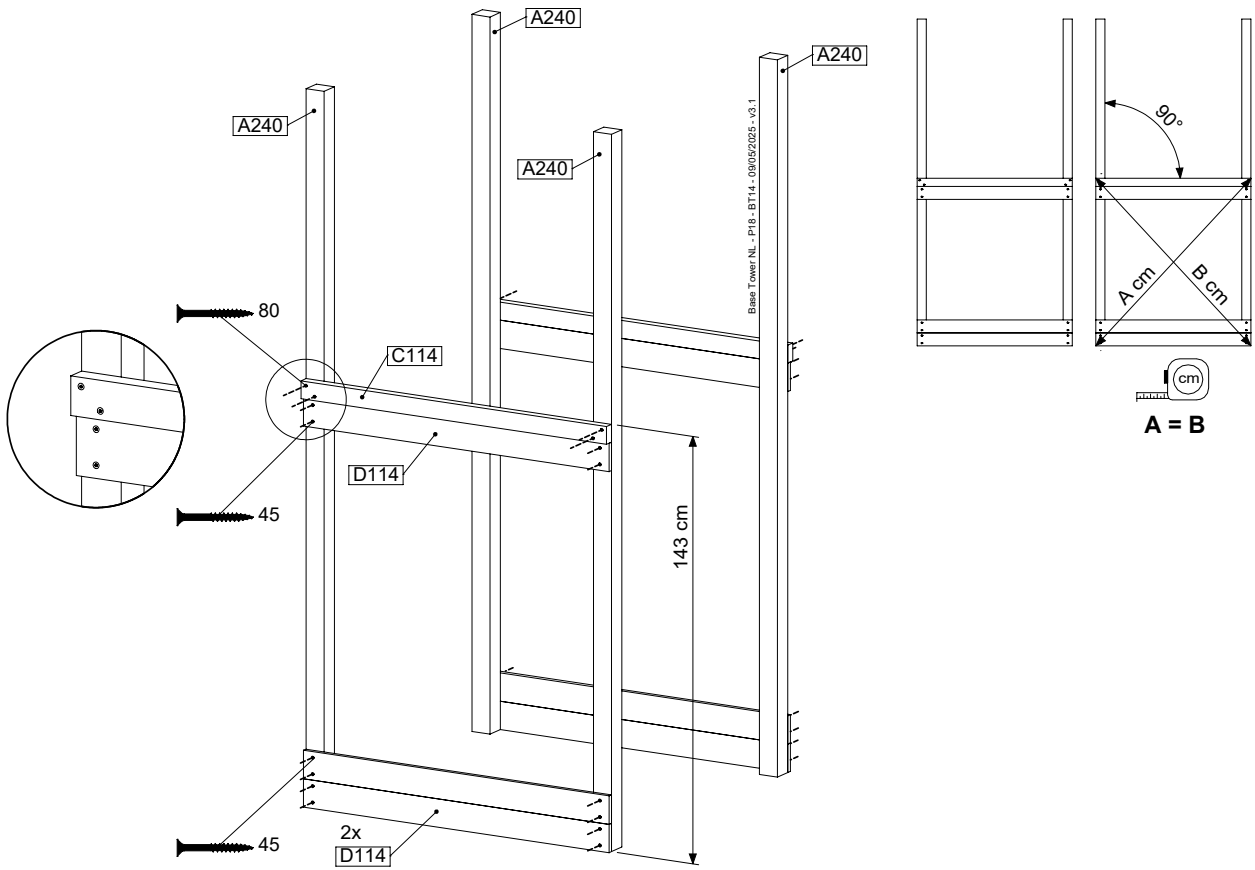
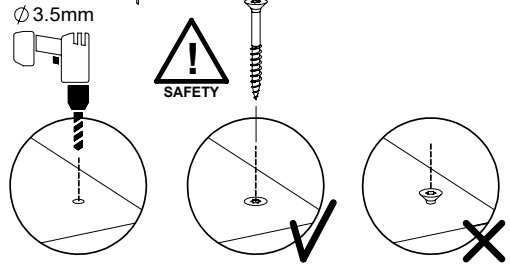
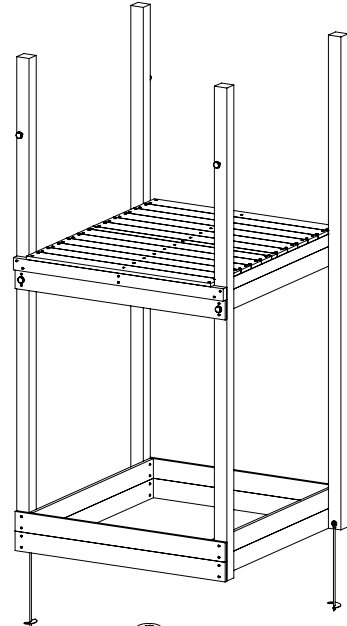
	Print ID			Positions
7	GA		p.35	(A)
8	AC01a		p.37	(A)

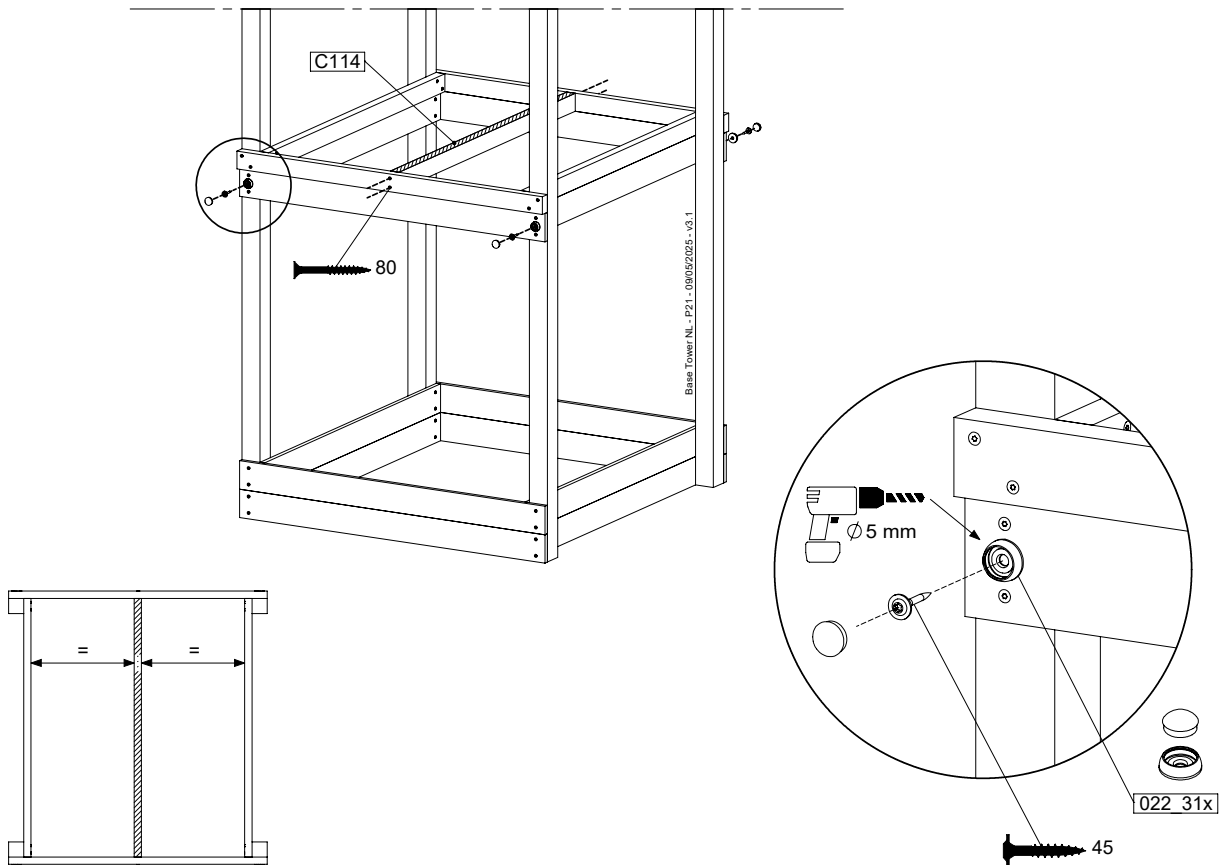
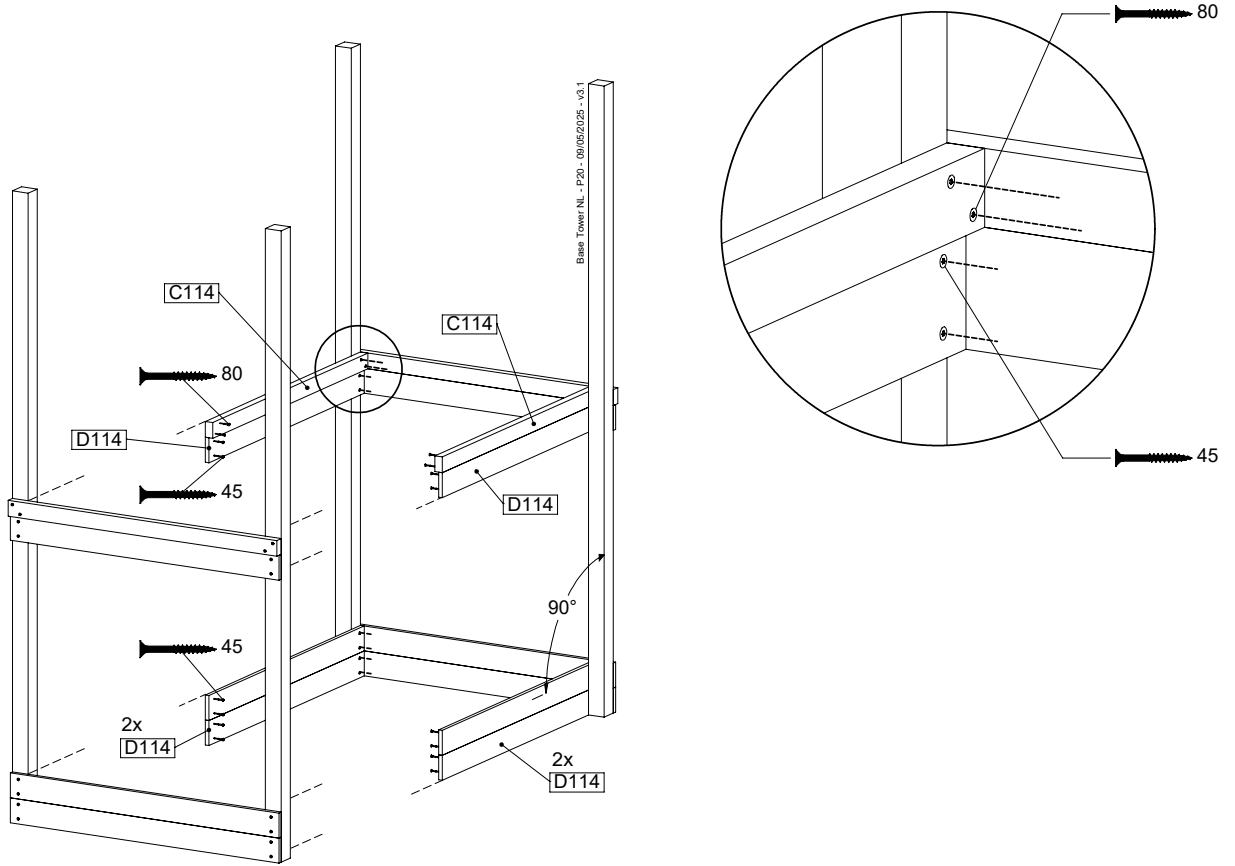
1 BT14a: Base Tower 115 145cm 240240

Assembly Pack: 194_300

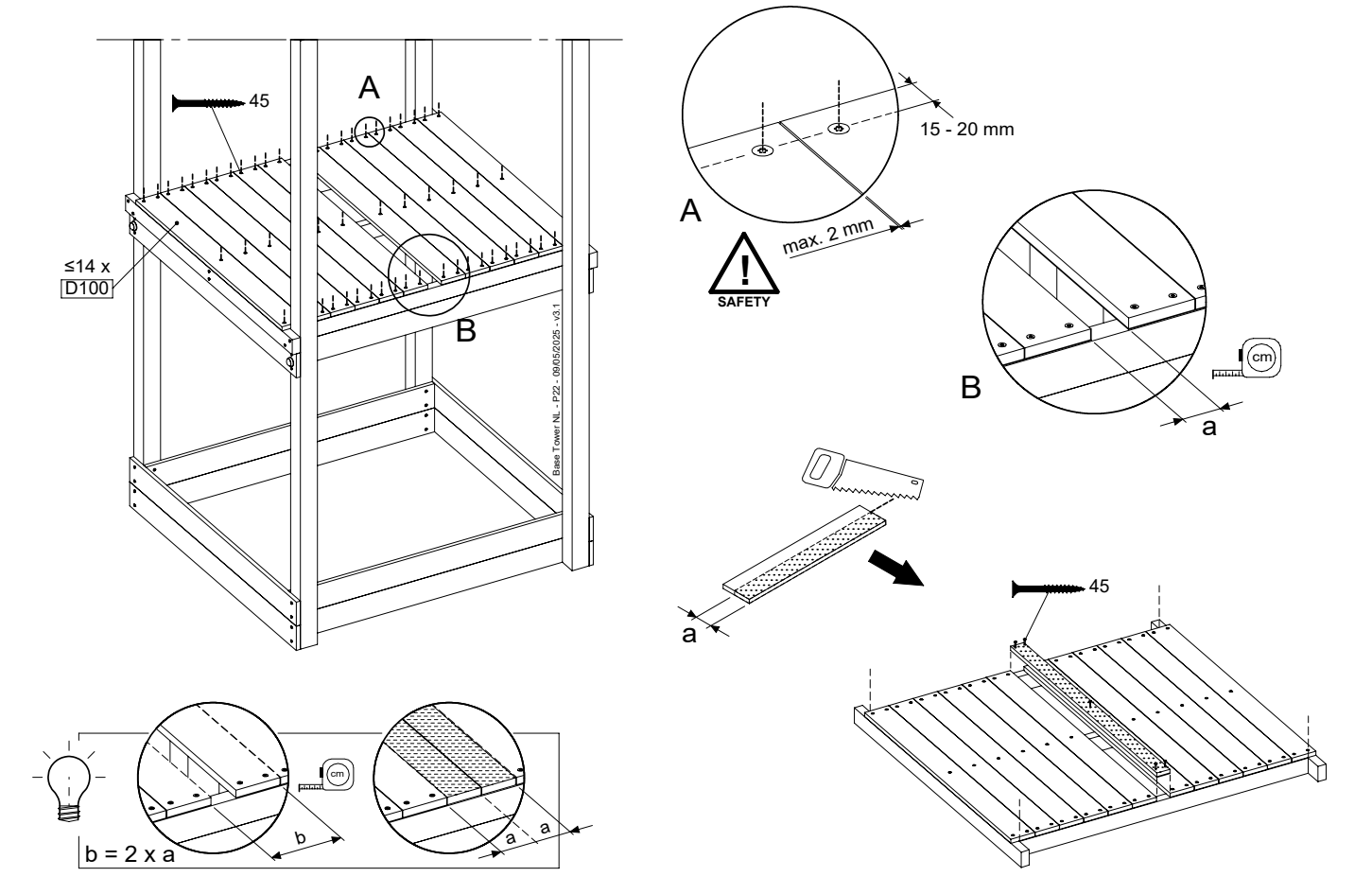
	PartNo	PartName	QTY.
Hardware + Parts	001_406	Stealth Screw 8x45	6
	001_417	Stealth Screw 8x80	4
	002_220	Gap Point Screw T25 - 5x45	118
	002_223	Gap Point Screw T25 - 5x80	20
	022_31x	bpc-base version 3	8
	022_84x	bpc cover	8
	007_001	Ground-anchor	2
Timber	A240	Post ca.70x70 L2400	4
	C114	Beam 1140 mm	5
	D100	Board 1000 mm	14
	D114	Board 1140 mm	12

Base Tower NL - P19 - BT14 - 09052025 - v3.1





1.2

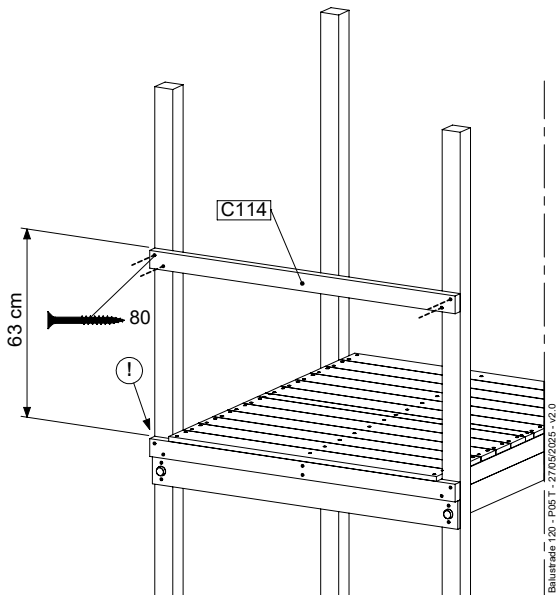
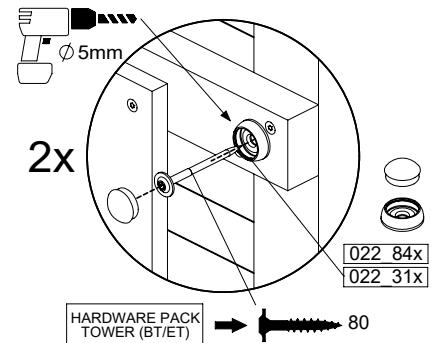
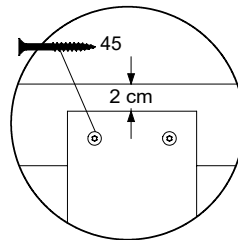
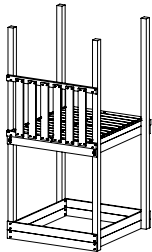
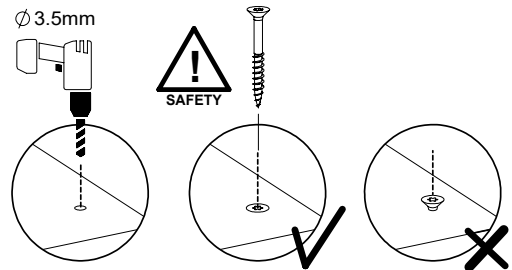
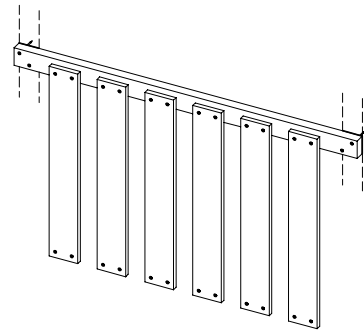


2 BL04a: Balustrade 115 T

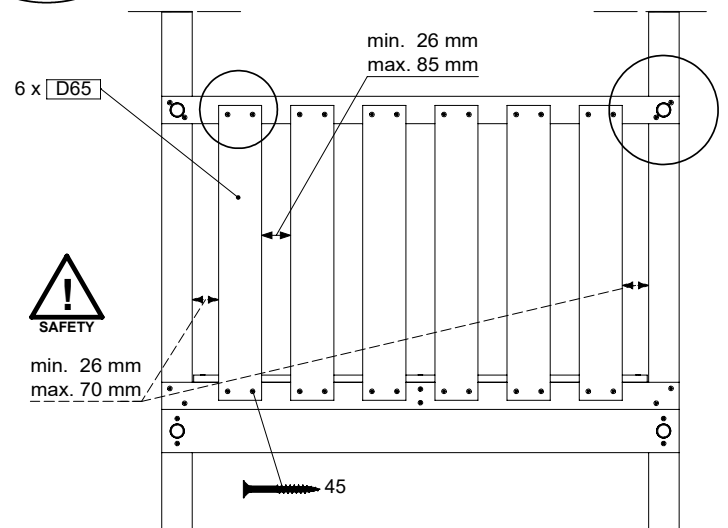
Assembly Pack: 194_501

	PartNo	PartName	QTY.
Hardware + Parts	002_220	Gap Point Screw T25 - 5x45	24
	002_223	Gap Point Screw T25 - 5x80	4
Timber	C114	Beam 1140 mm	1
	D65	Board 650 mm	6

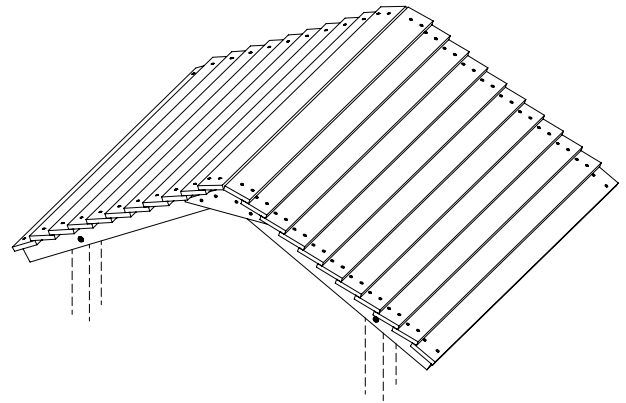
Balustrade 120 - P03 T - 27/05/2025 - v2.0



Balustrade 120 - P05 T - 27/05/2025 - v2.0



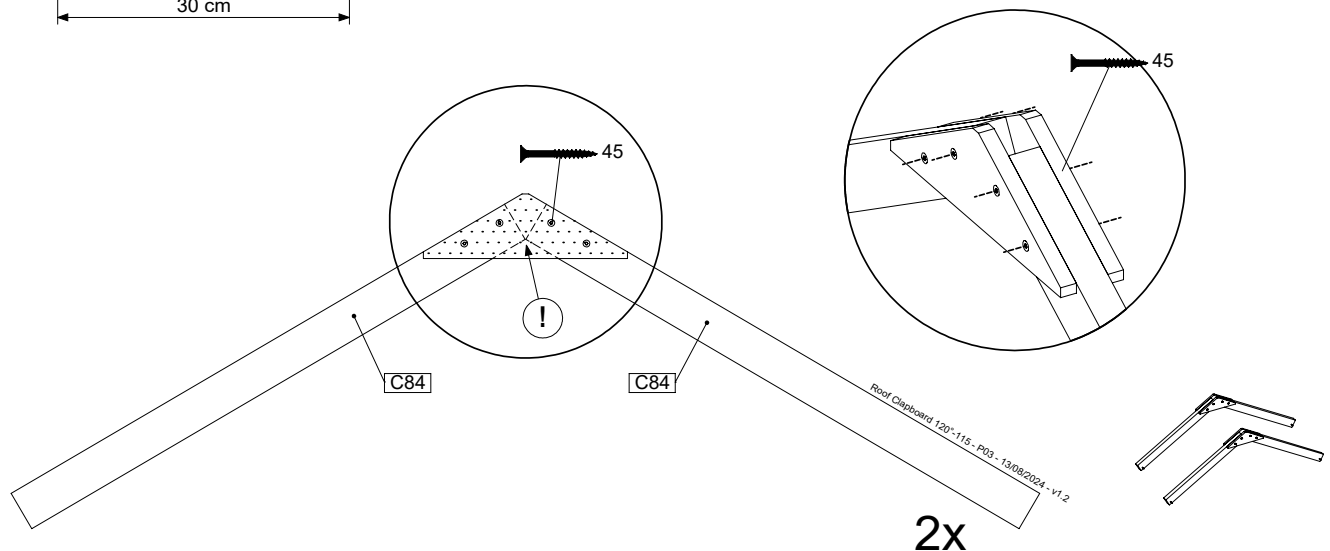
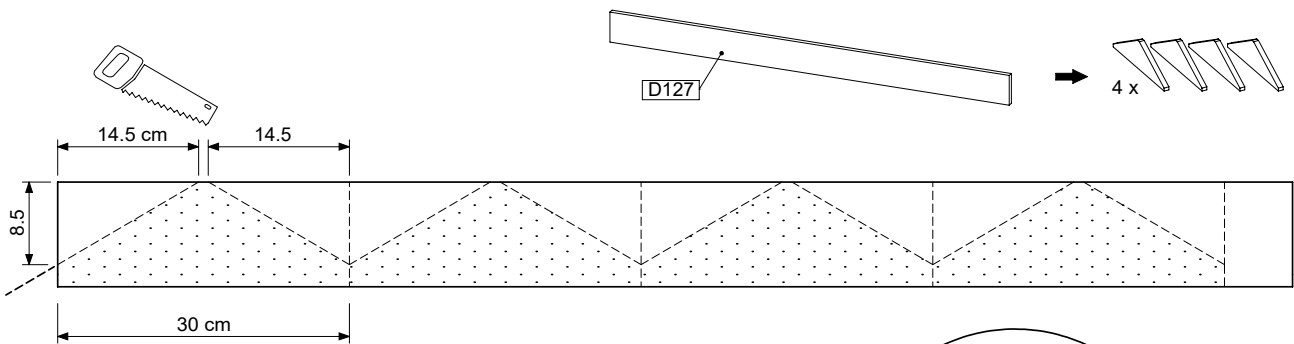
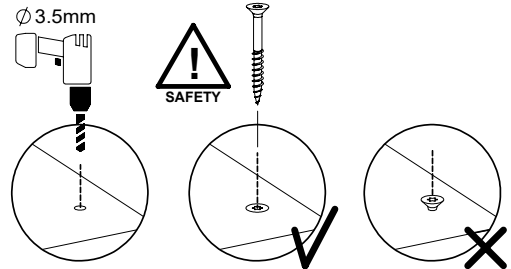
3 RF23a: Roof Timber Clapboard Slope 115

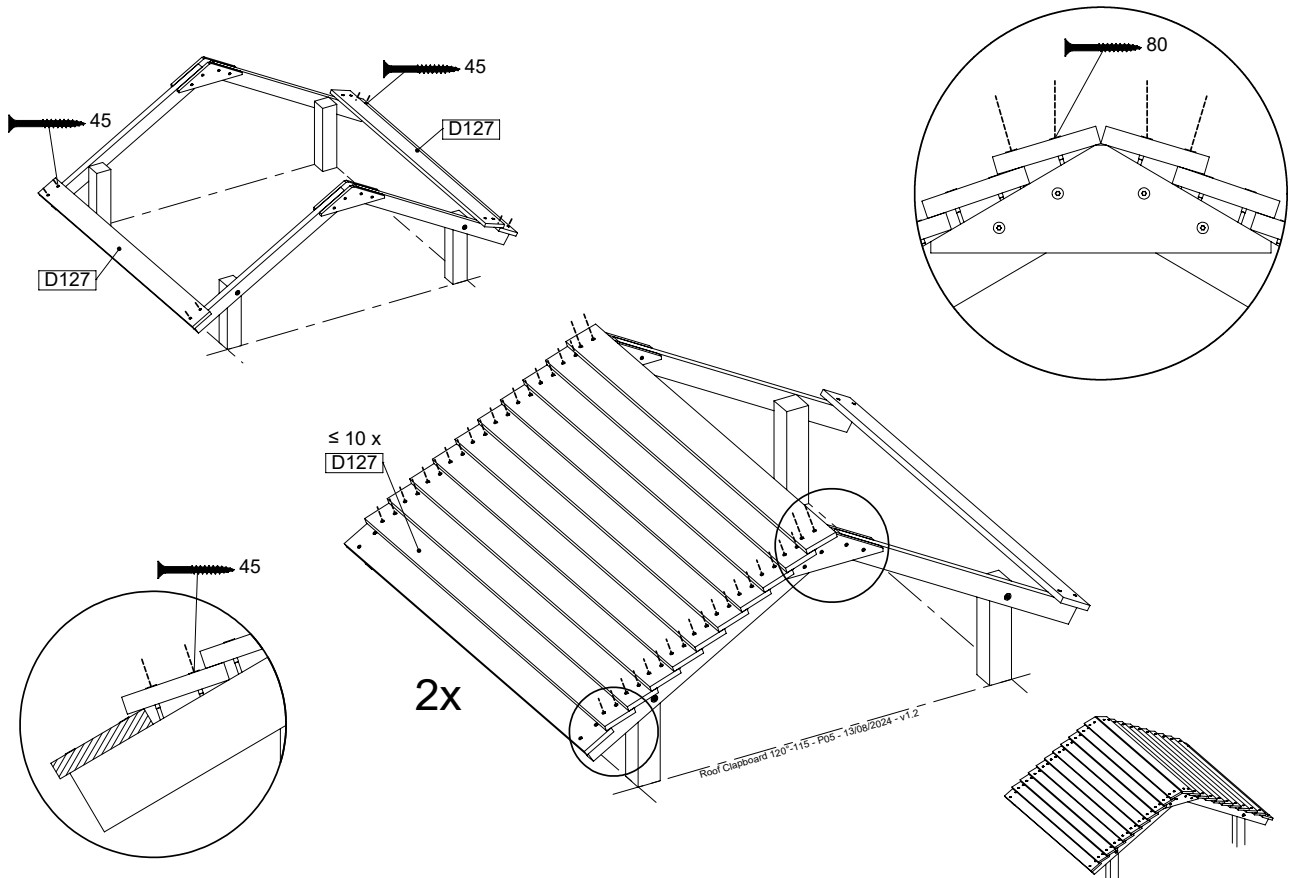
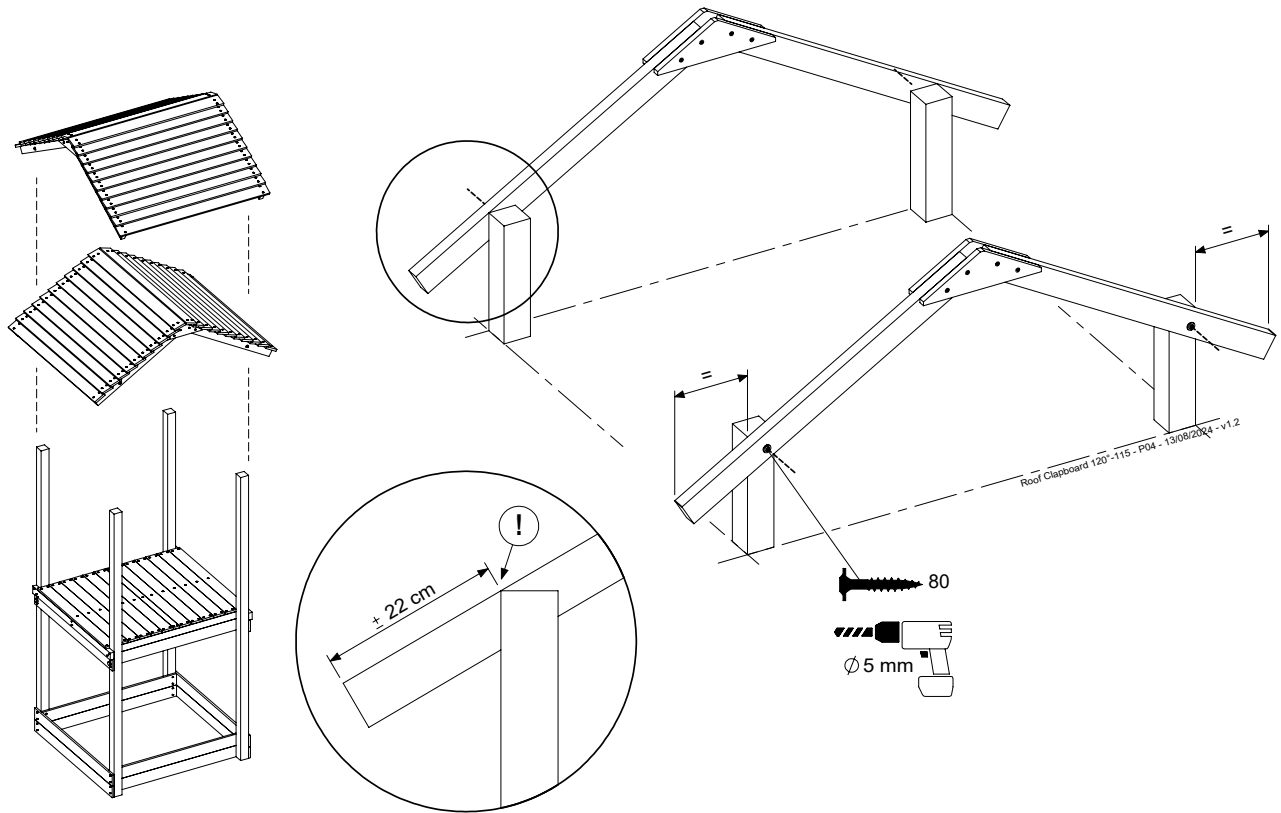


Assembly Pack: 194_308 / 194_804

	PartNo	PartName	QTY.
Hardware Pack	001_417	Stealth Screw 8x80	4
	002_220	Gap Point Screw T25 - 5x45	96
	002_223	Gap Point Screw T25 - 5x80	8
Timber	C84	Beam 840 mm	4
	D127	Board 1270 mm	23

Roof Clapboard 120°-115 - P02 - 13/08/2024 - v1.2



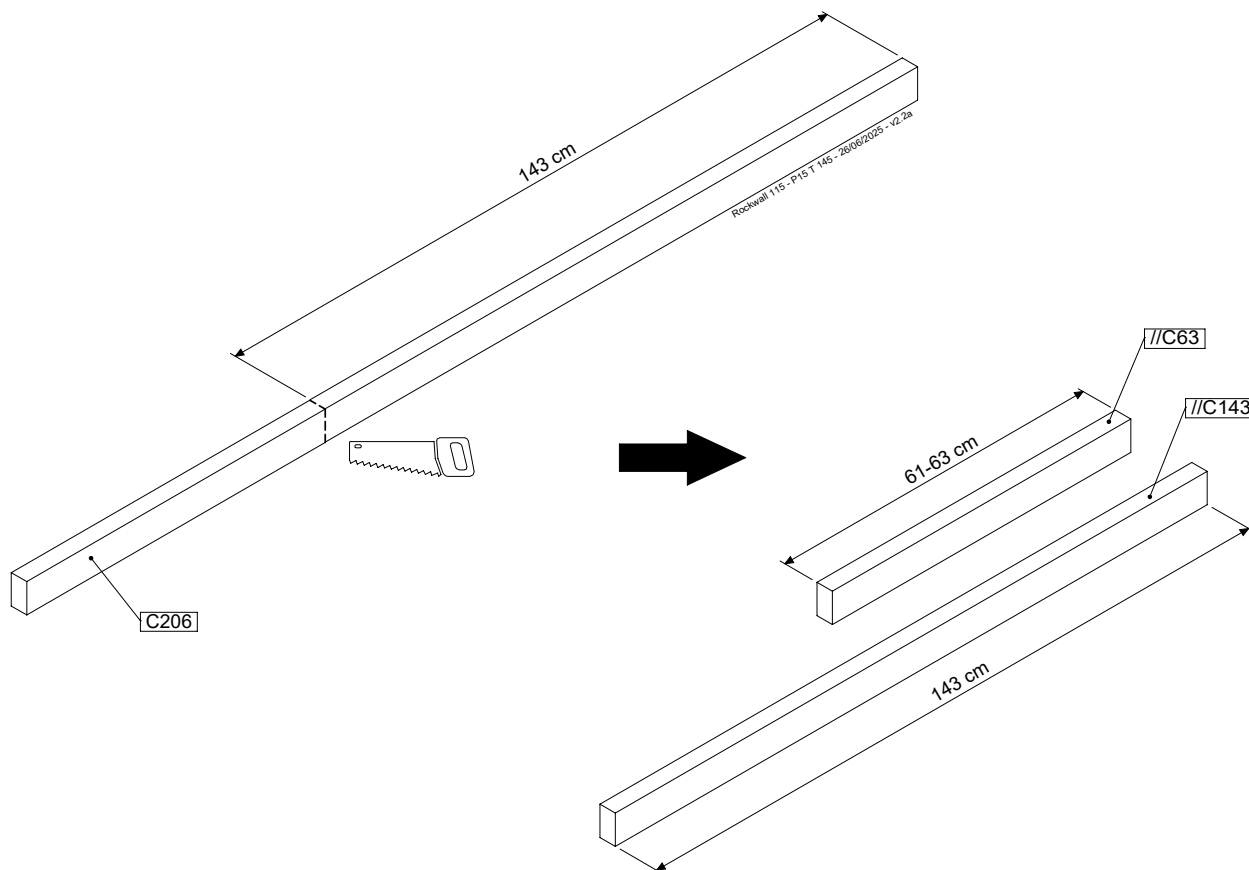
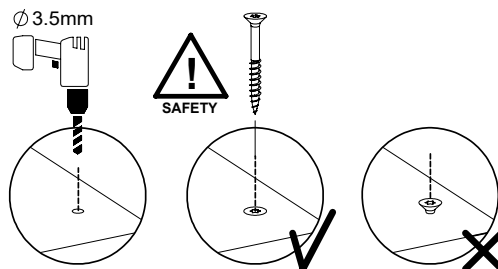
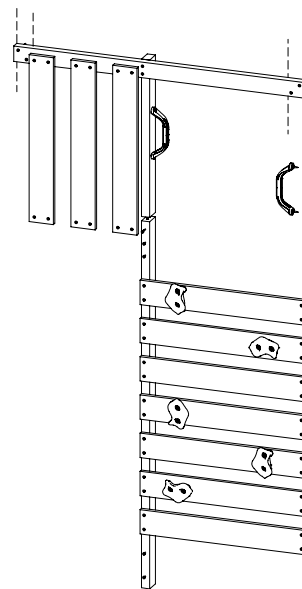


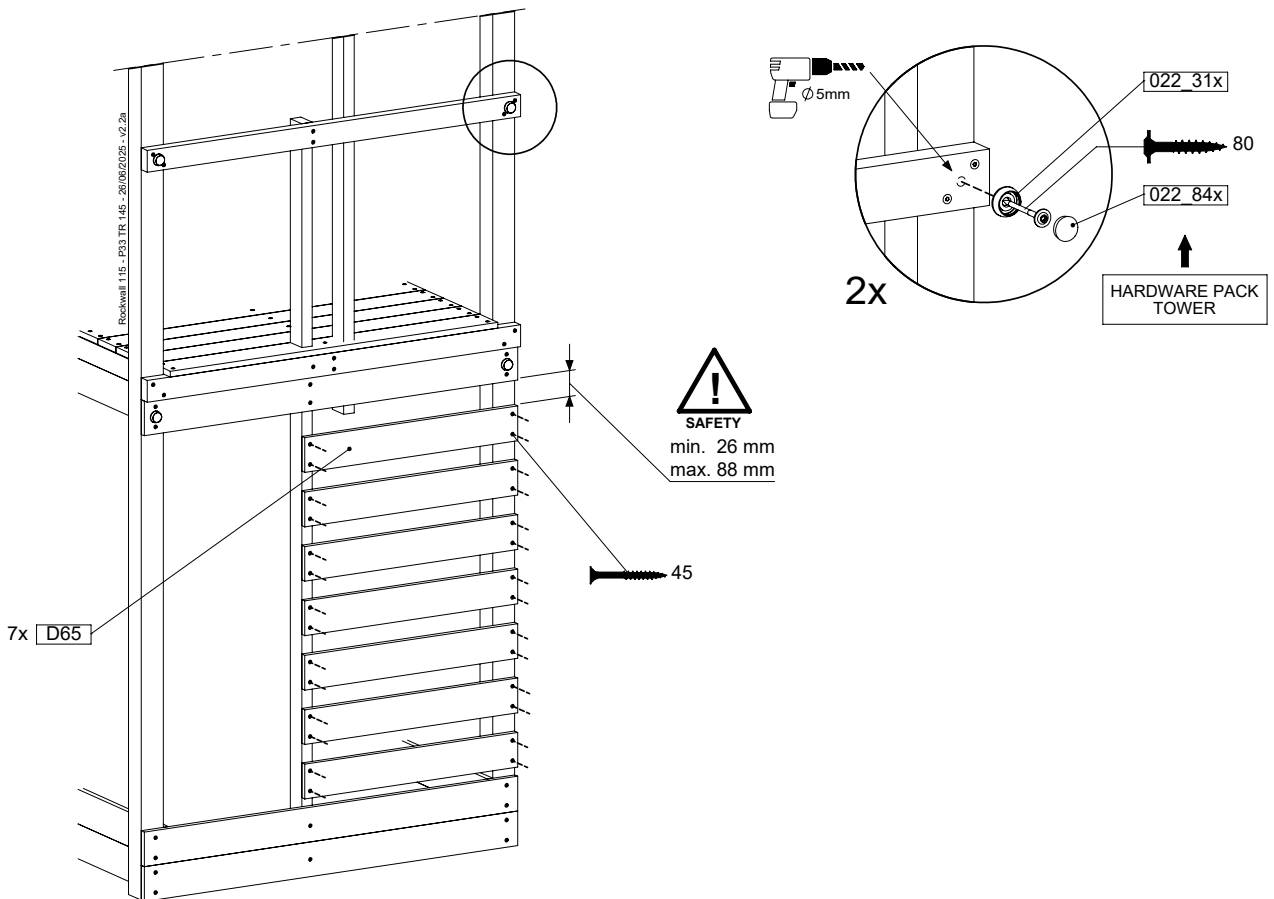
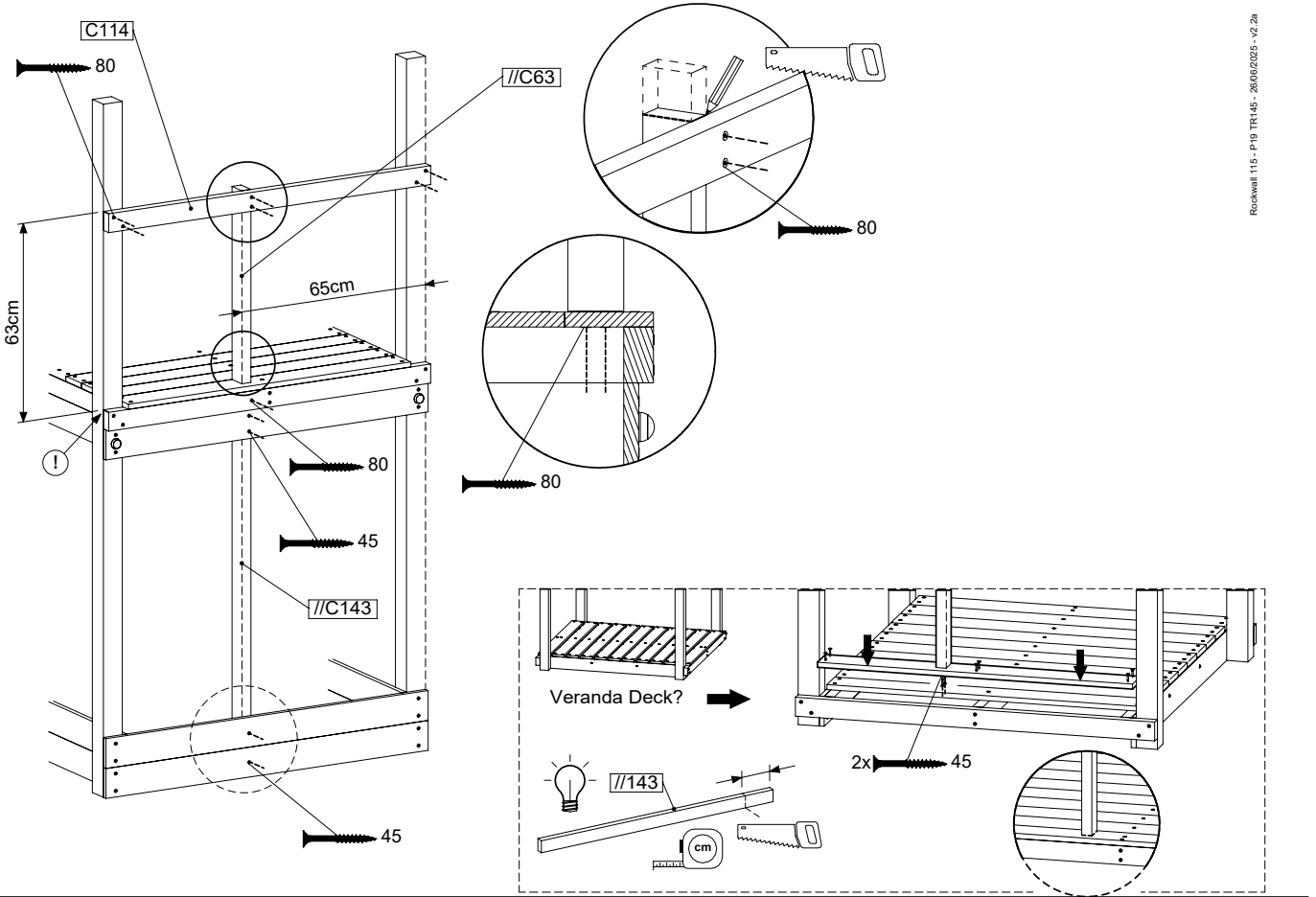
4 RW12a: Rock wall 115 145 T Right

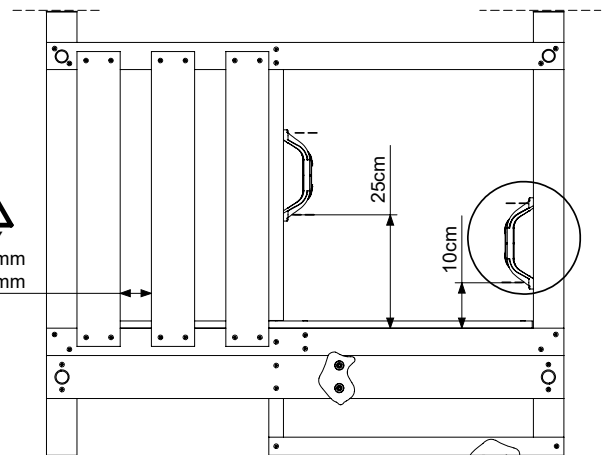
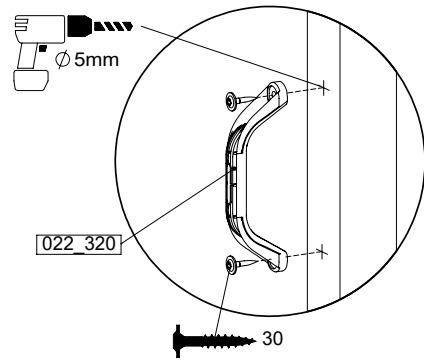
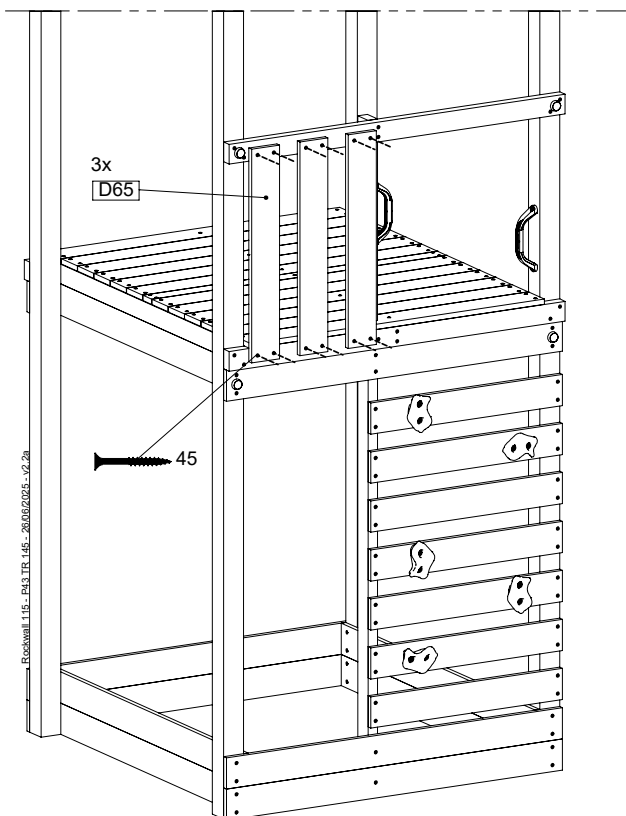
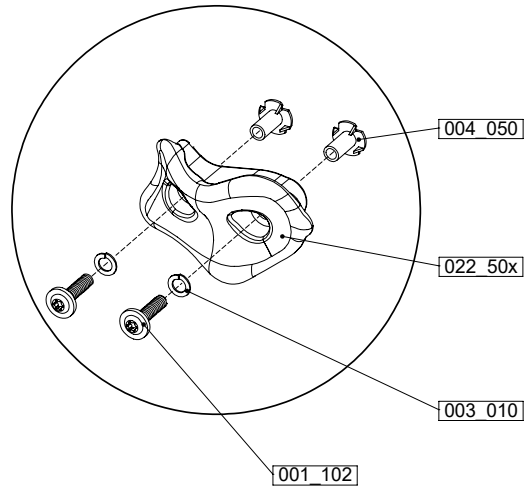
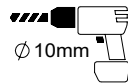
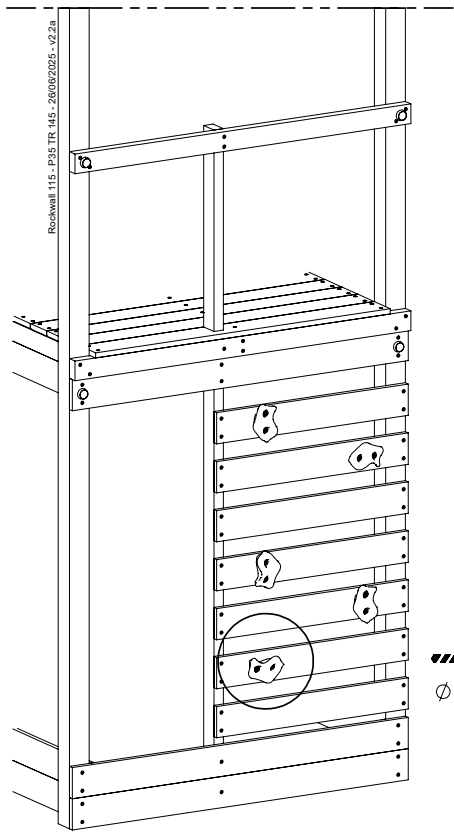
Assembly Packs: 194_006 + 194_101

	PartNo	PartName	QTY.
Hardware + Parts	001_102	Washer Head Screw T40 M8x30	10
	002_220	Gap Point Screw T25 - 5x45	44
	002_223	Gap Point Screw T25 - 5x80	9
	003_010	M8 spring lock washer	10
	004_050	M8 Drive-in Nut 22mm	10
	022_50x	Climbing Rock	5
	120_102	Handgrip set (complete 2x)	1
Timber	C114	Beam 1140 mm	1
	C206	Beam 2060 mm	1
	D65	Board 650 mm	10

Rockwall 115 - P08 TR 145 - 26/06/2025 - v2.2a





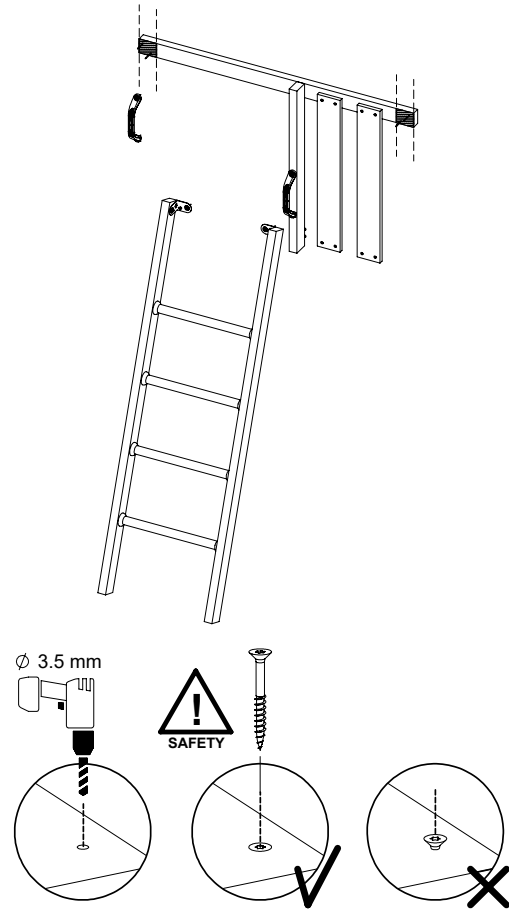


5 LA15a: Ladder 115 145 U Left

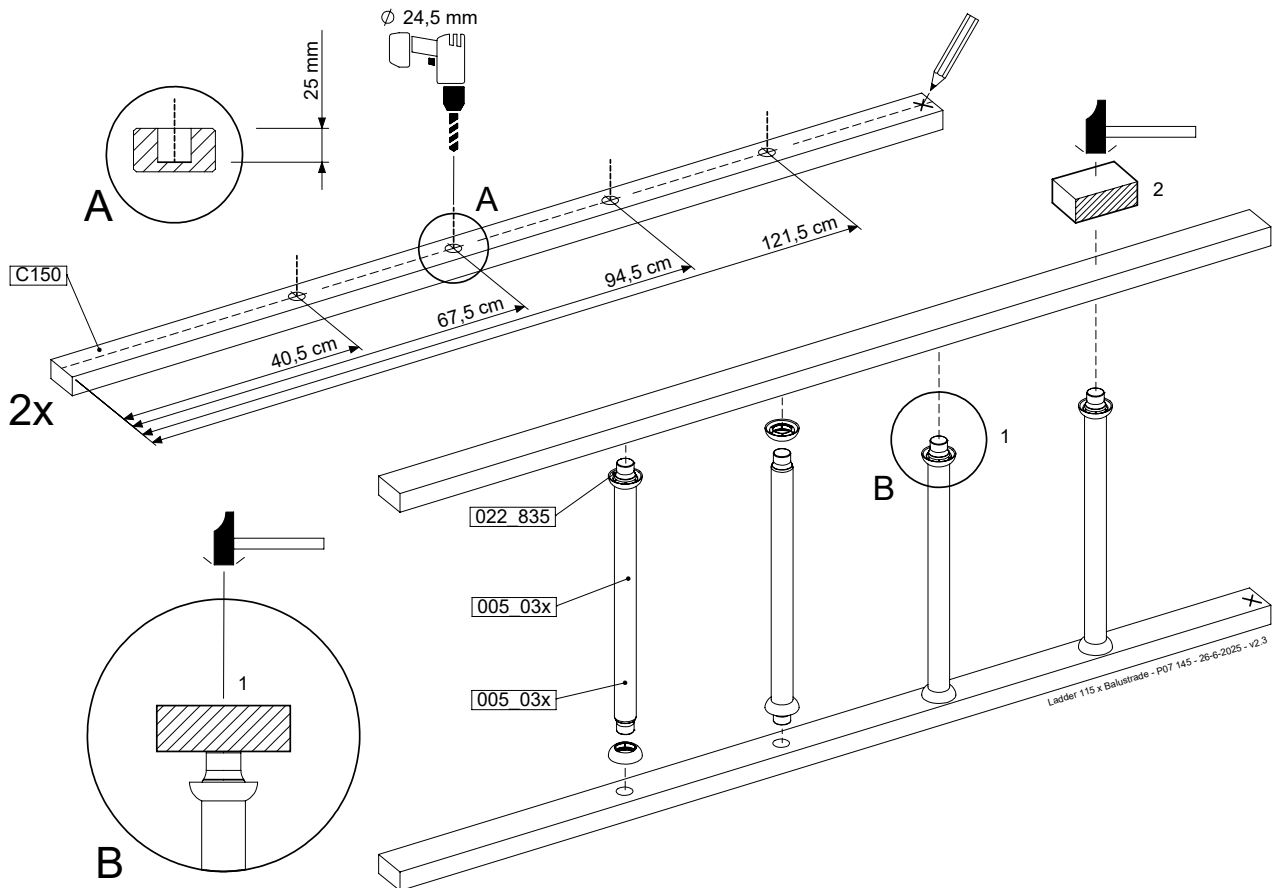
Assembly Packs: 194_004 (LA15a) /194_104 (LA151b) + 194_101

	PartNo	PartName	QTY.
Hardware + Parts	001_404	Stealth Screw 8x30	4
	002_219	Gap Point Screw T25 - 5x30	4
	002_220	Gap Point Screw T25 - 5x45	16
	002_223	Gap Point Screw T25 - 5x80	8
	005_03x	Ladder Rung Y/B/G/R	4
	005_522* / 005_530**	Connection Bracket Mini Market / Connection Bracket Ladder + 2x 023_031 Finishing Washer GPS 5.0	2
	022_835	Rung Cap	8
	120_102	Handgrip set (complete 2x)	1
Timber	C114	Beam 1140 mm	1
	C150	Beam 1500 mm	2
	C70	Beam 700 mm	1
	D65	Board 650 mm	2

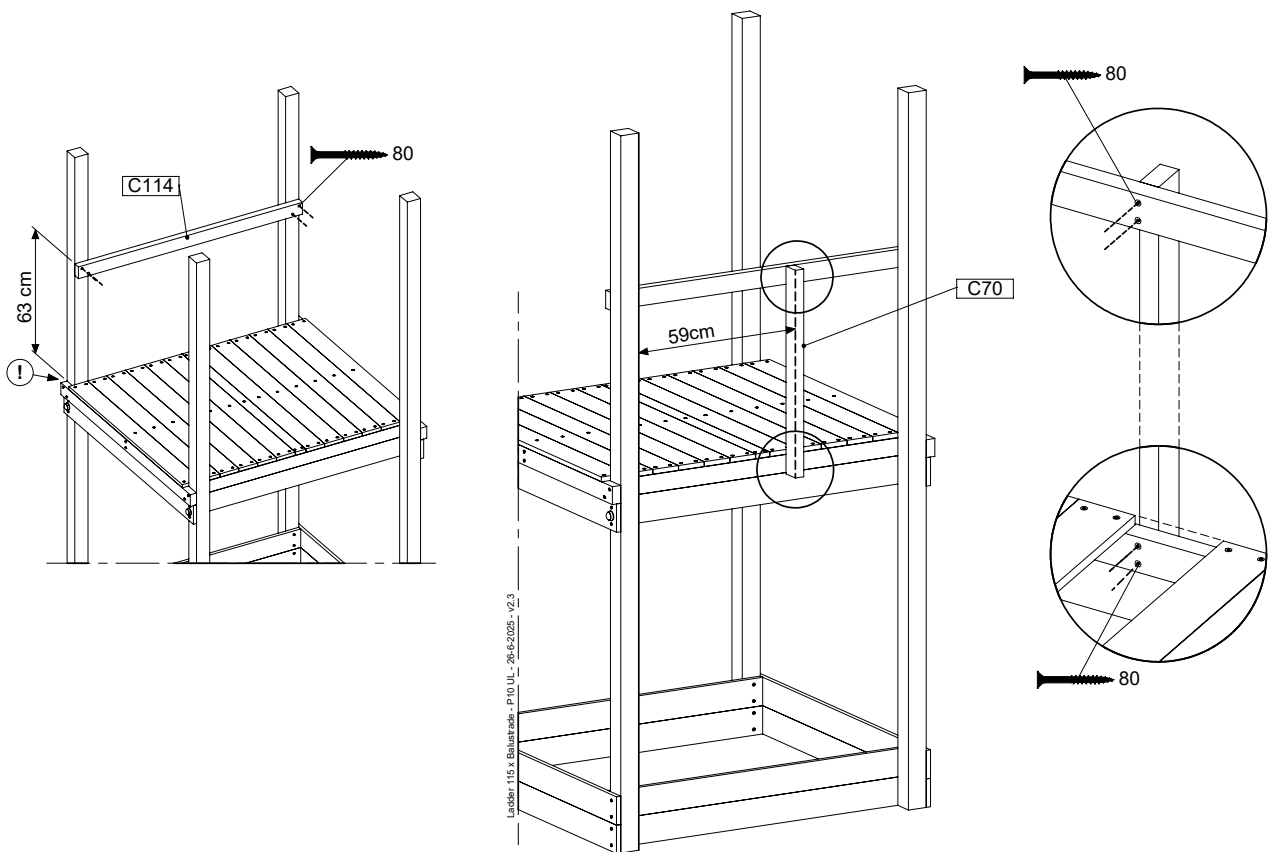
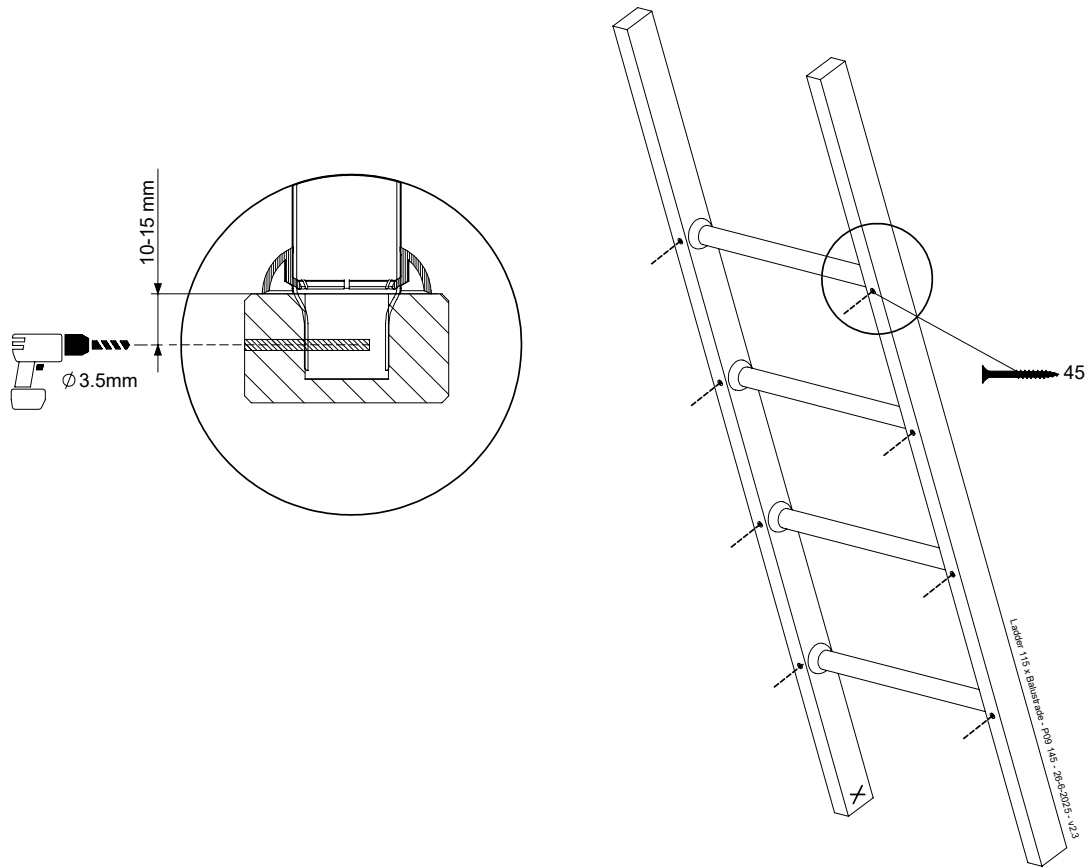
Ladder 115 x Balustrade - P22 UL 145 - 26-6-2025 - v2.3

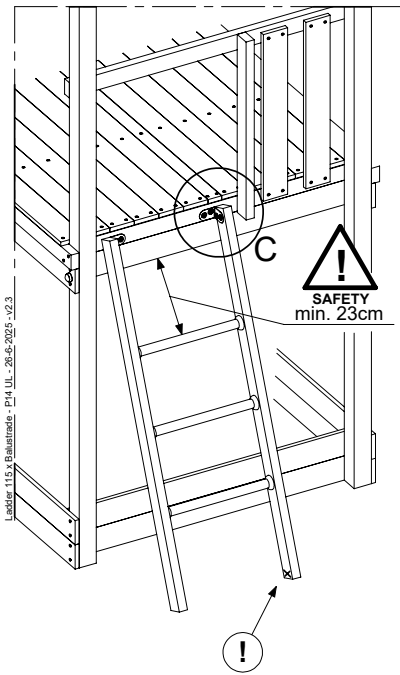


Manual ID: 040_033_2417

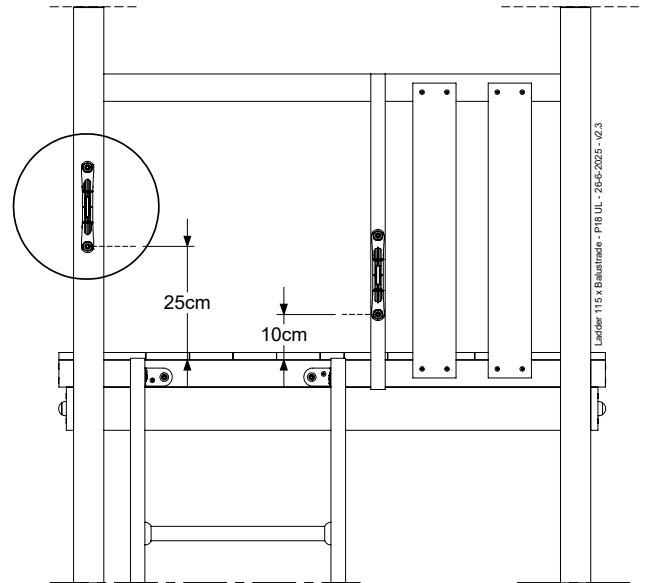
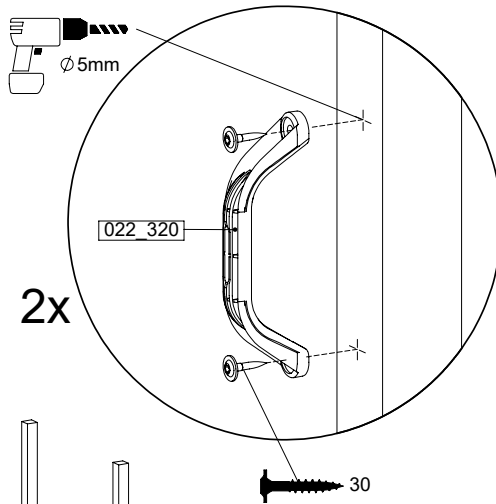
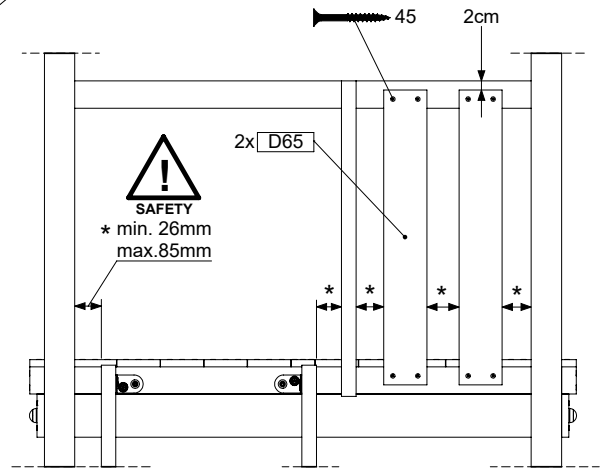
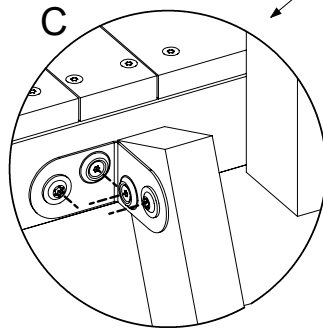
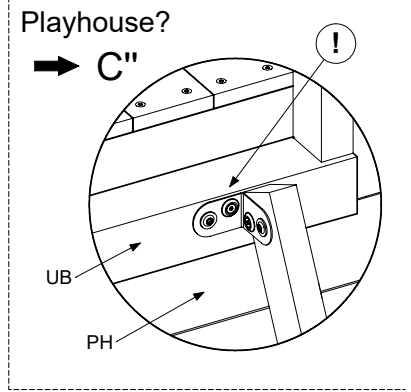
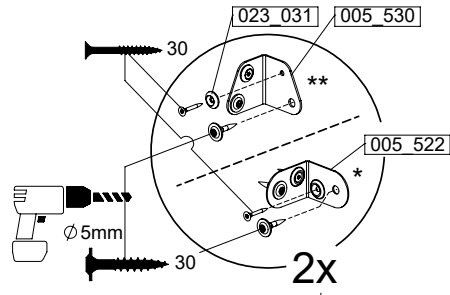


5.1

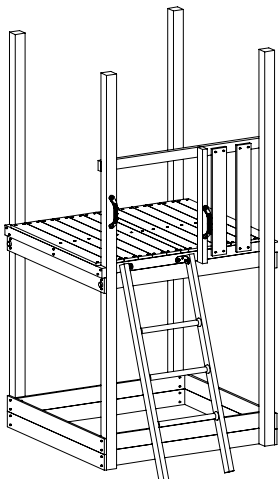




Ladder 115 x Balustrade - P18 UL - 26-6-2025 - v2.3



Ladder 115 x Balustrade - P18 UL - 26-6-2025 - v2.3

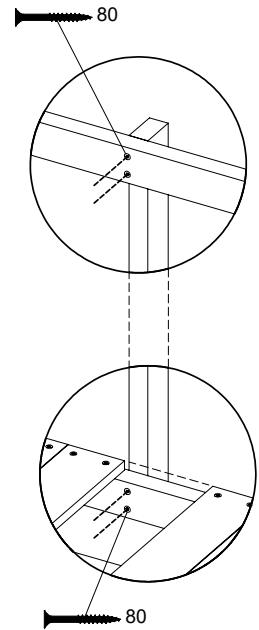
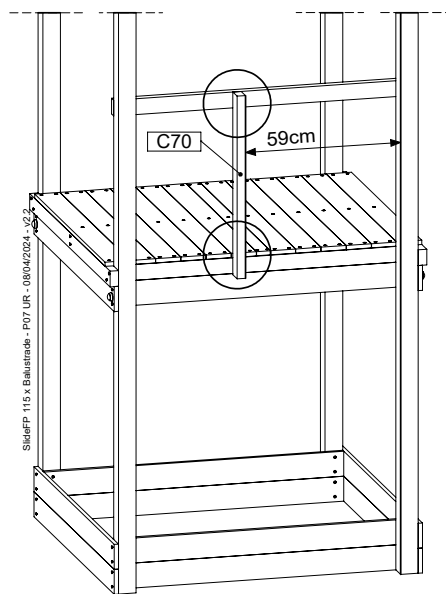
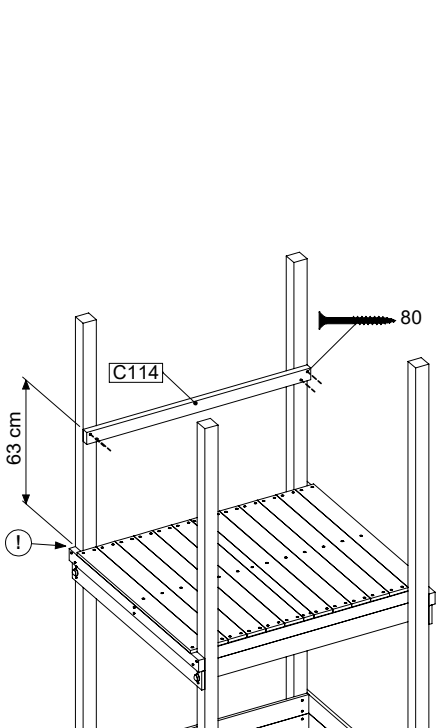
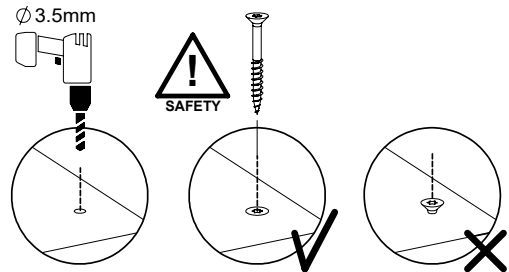
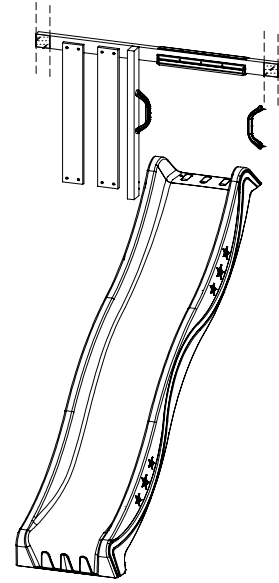


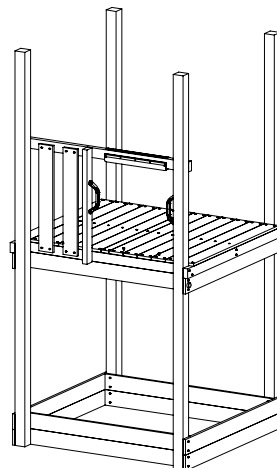
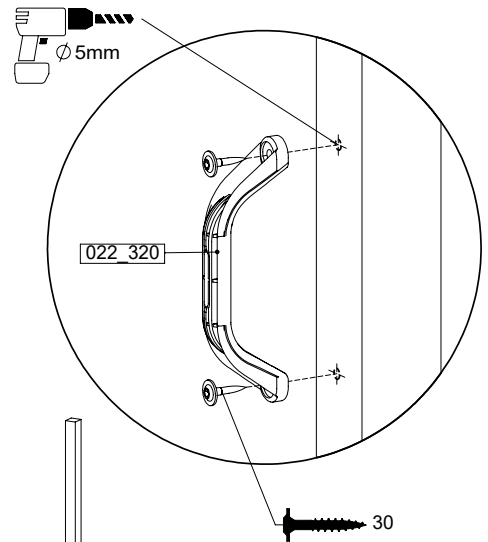
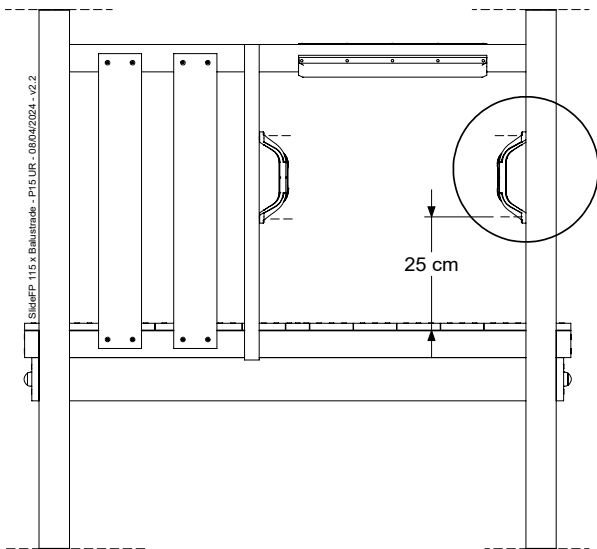
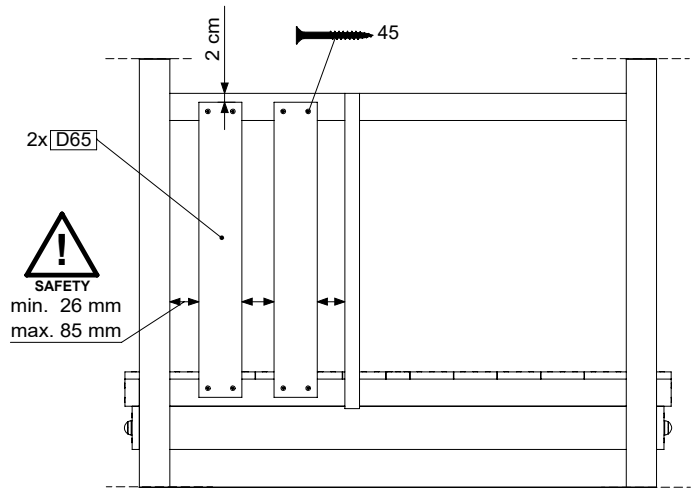
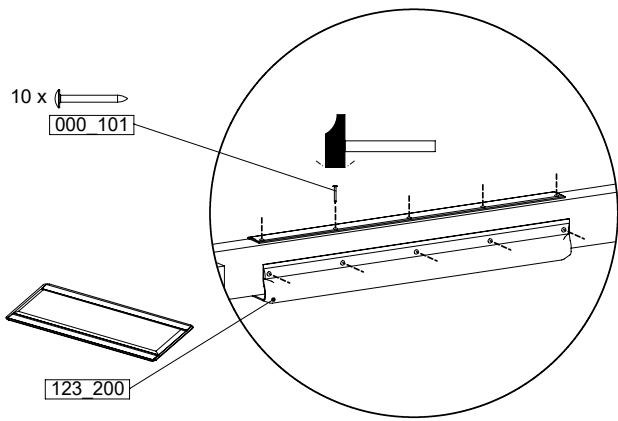
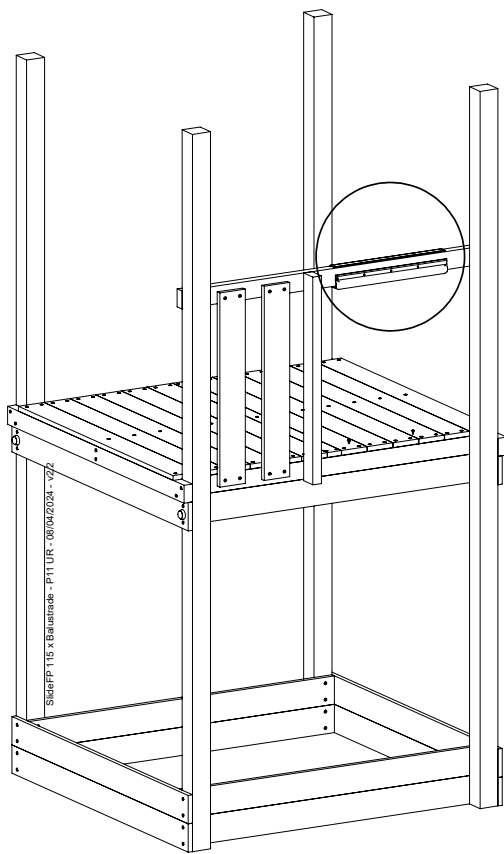
6 SL11a: Slide 115 145 U Right

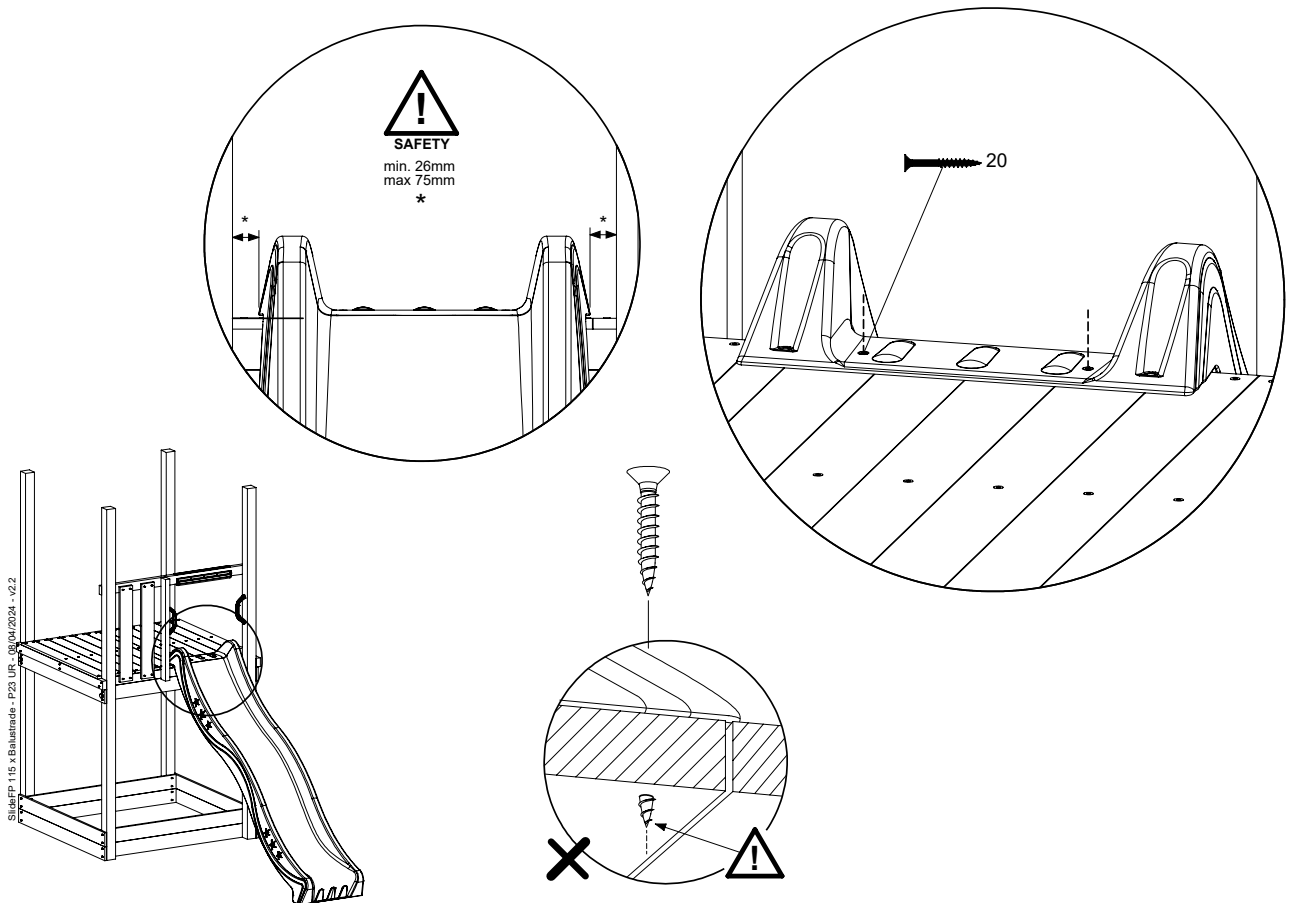
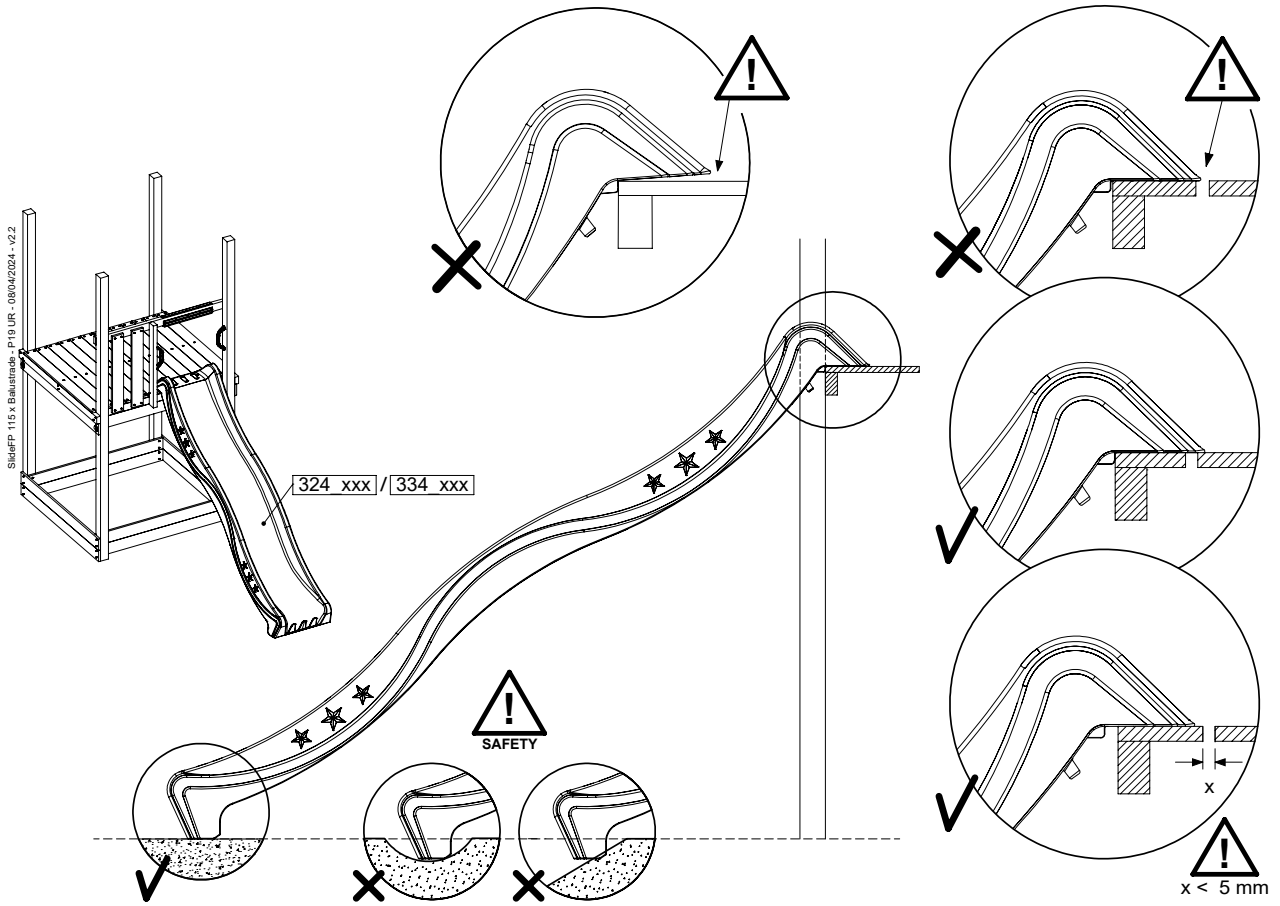
Assembly Packs: 194_107 + 194_101

	PartNo	PartName	QTY.
Hardware + Parts	000_101	Nail Pan Head	10
	002_220	Gap Point Screw T25 - 5x45	8
	002_223	Gap Point Screw T25 - 5x80	8
	002_308	Gap Point Screw T25 - 5x20	2
	120_102	Handgrip set (complete 2x)	1
	123_200	Bumperpad	1
	324_xxx 334_xxx	Wavy Star Slide XL 2200 mm / Wavy Star Slide XXL 2650 mm	1
Timber	C114	Beam 1140 mm	1
	C70	Beam 700 mm	1
	D65	Board 650 mm	2

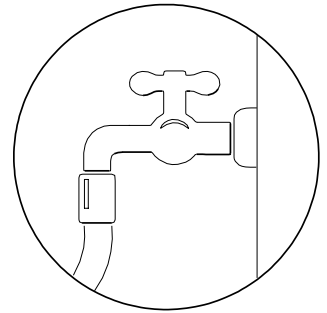
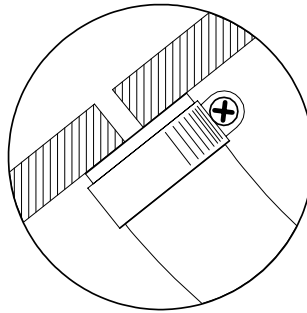
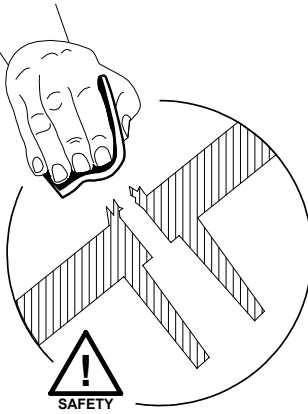
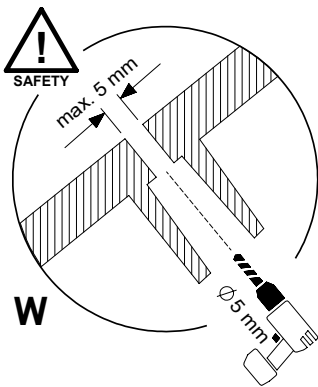
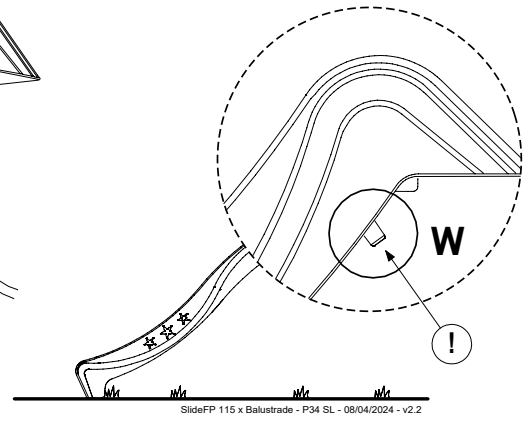
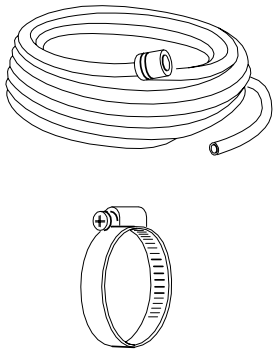
SlideFP 115 x Balustrade - P03 UR - 08/04/2024 - v2.2



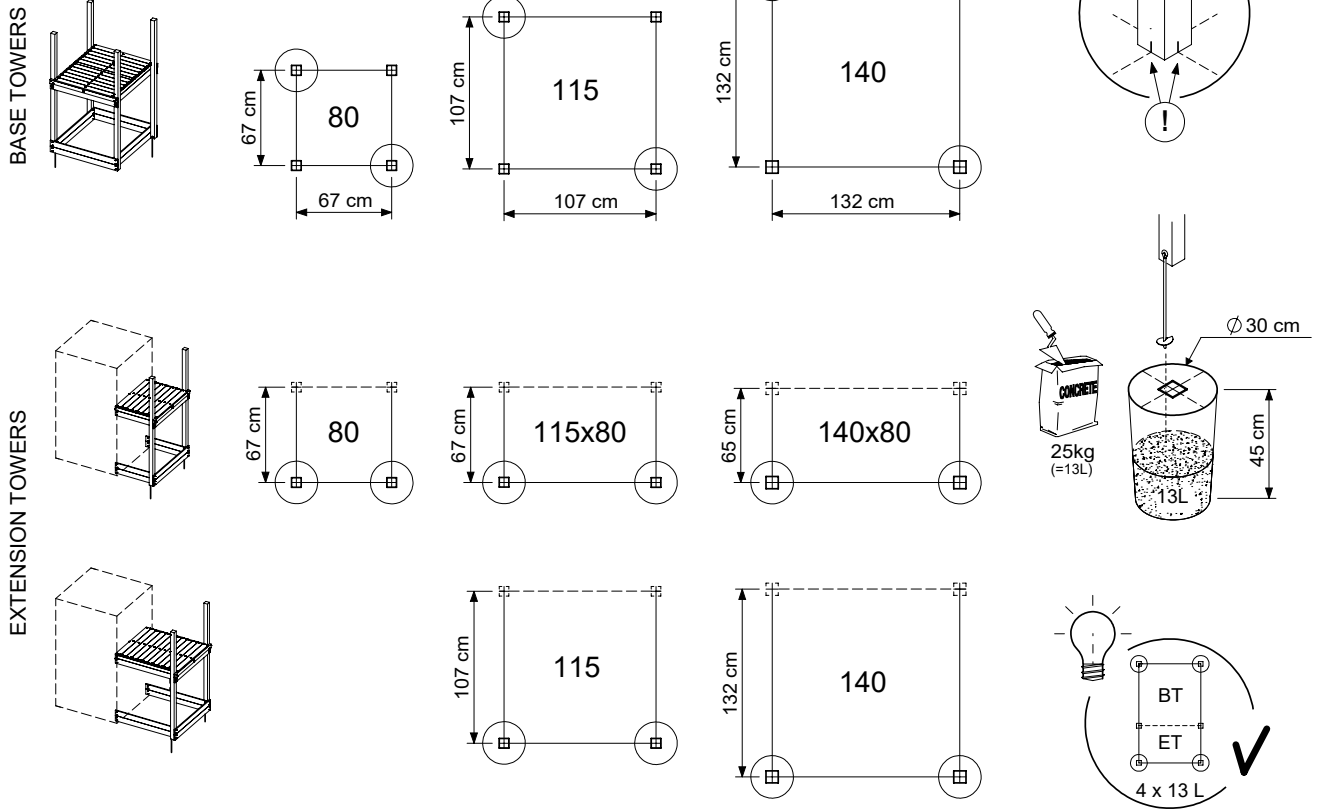




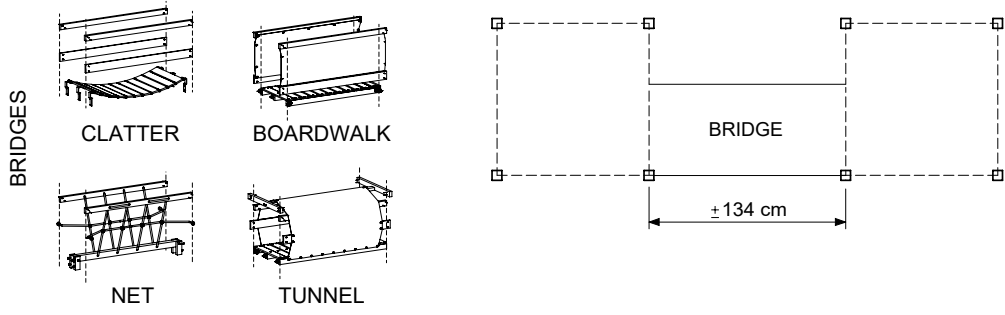
6.3



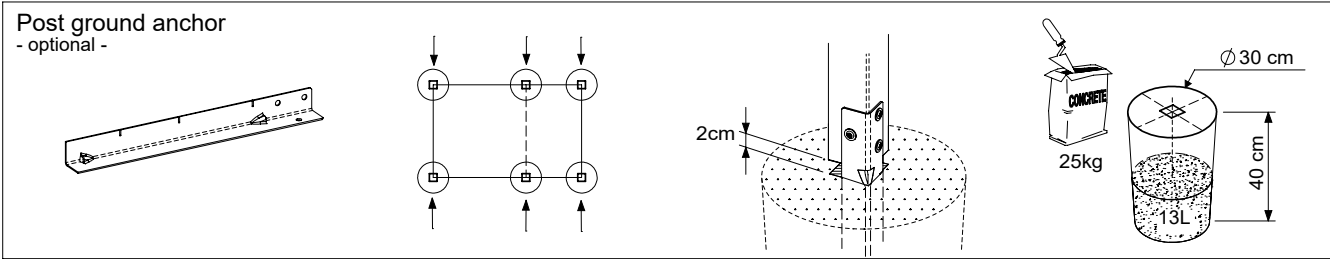
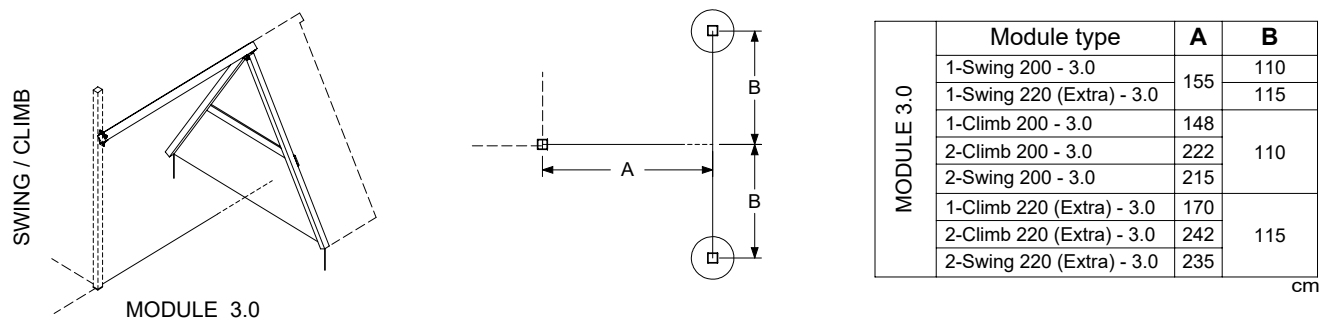
7 GA: Ground Anchors



Ground Anchors Uni. - P03 - 22/07/2025 - V2.3

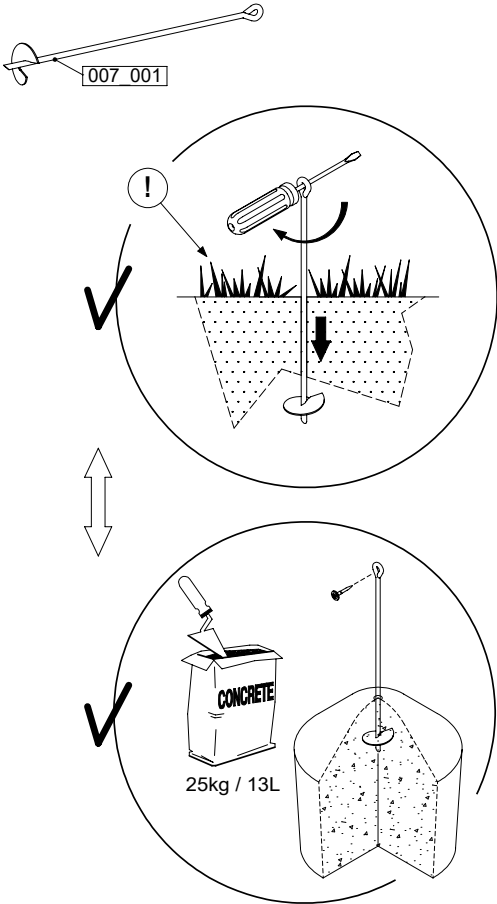


Ground Anchors Uni. - P04 - 22/07/2025 - V2.3

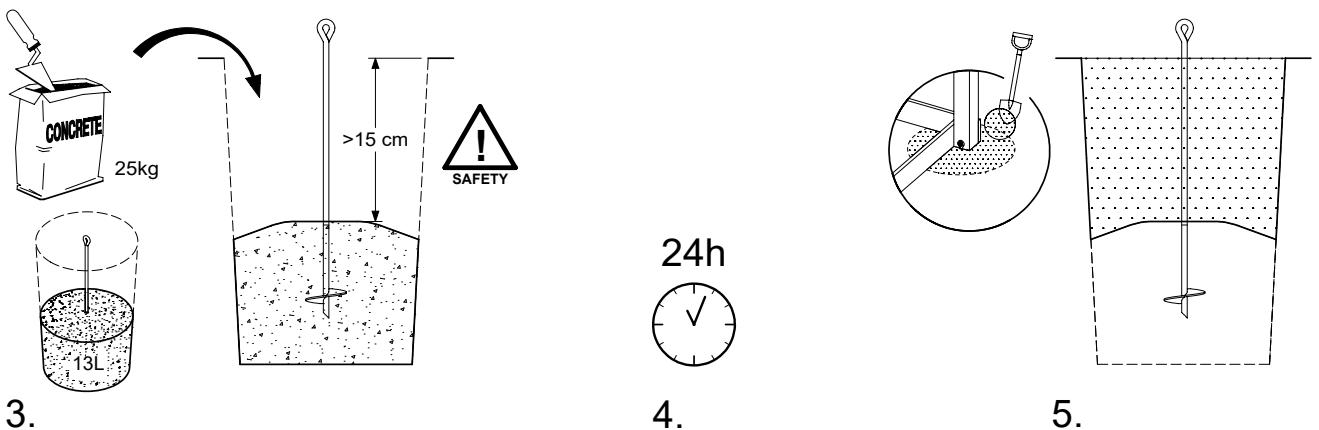
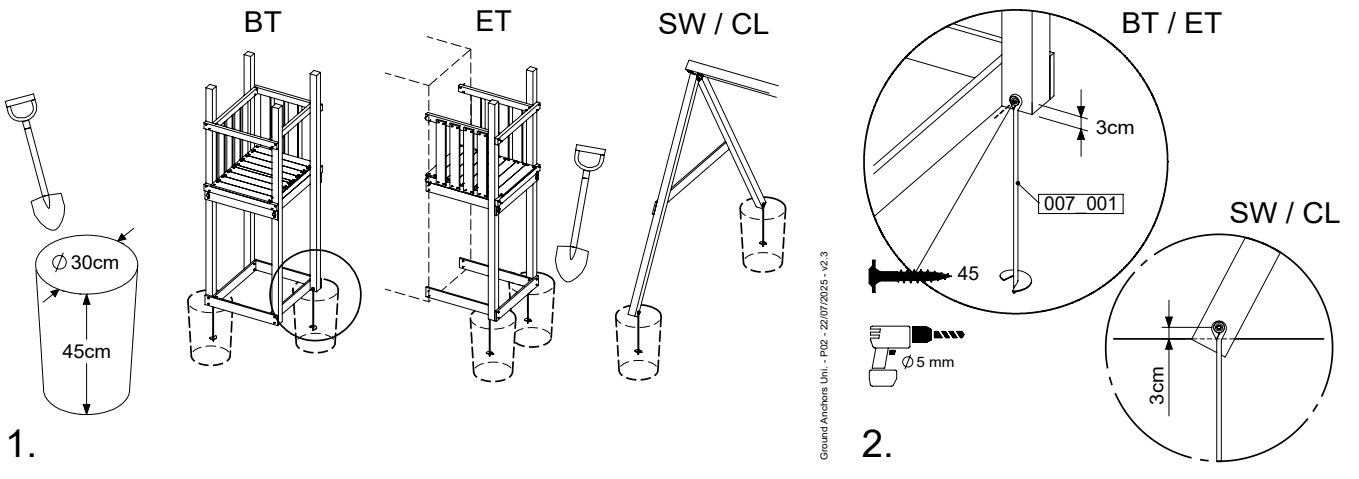
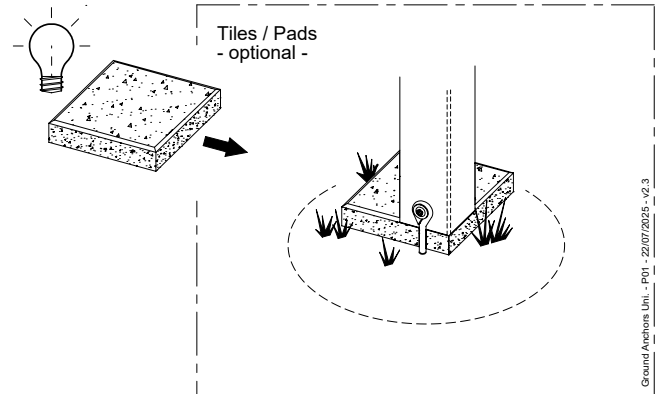
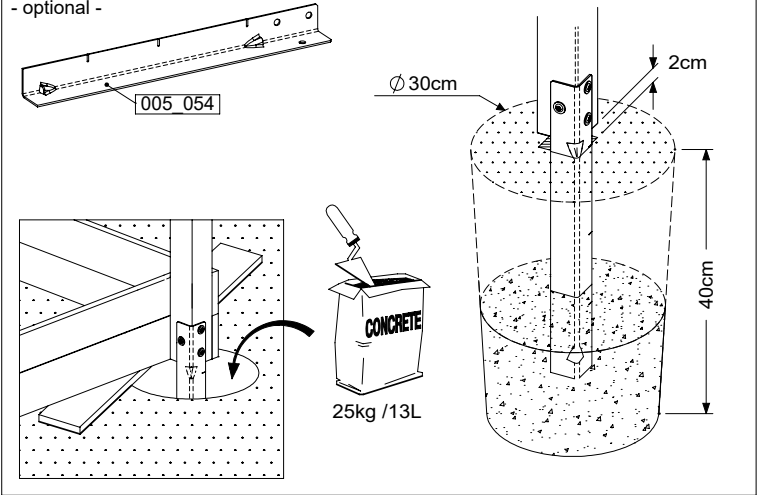


7.1

Screw-in ground anchor



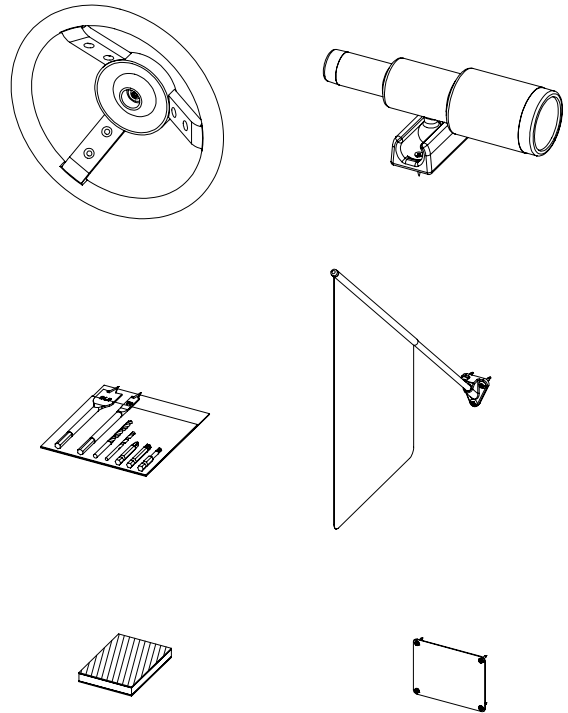
Post ground anchor - optional -



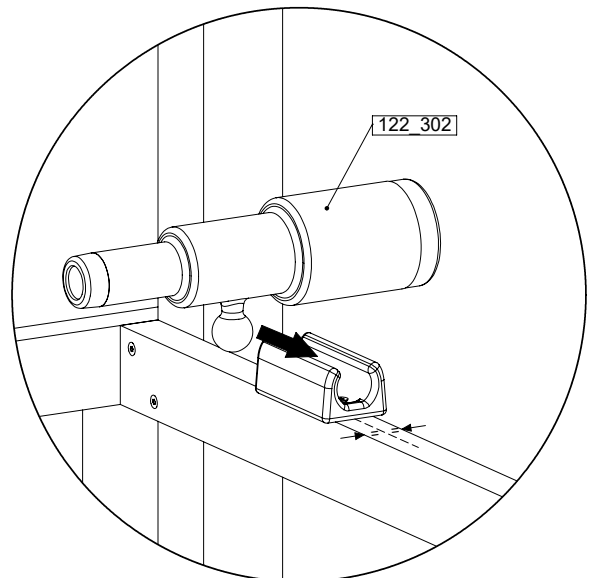
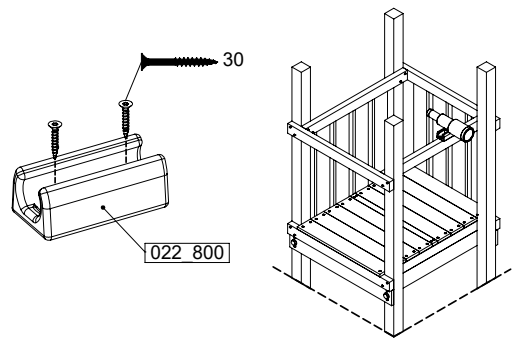
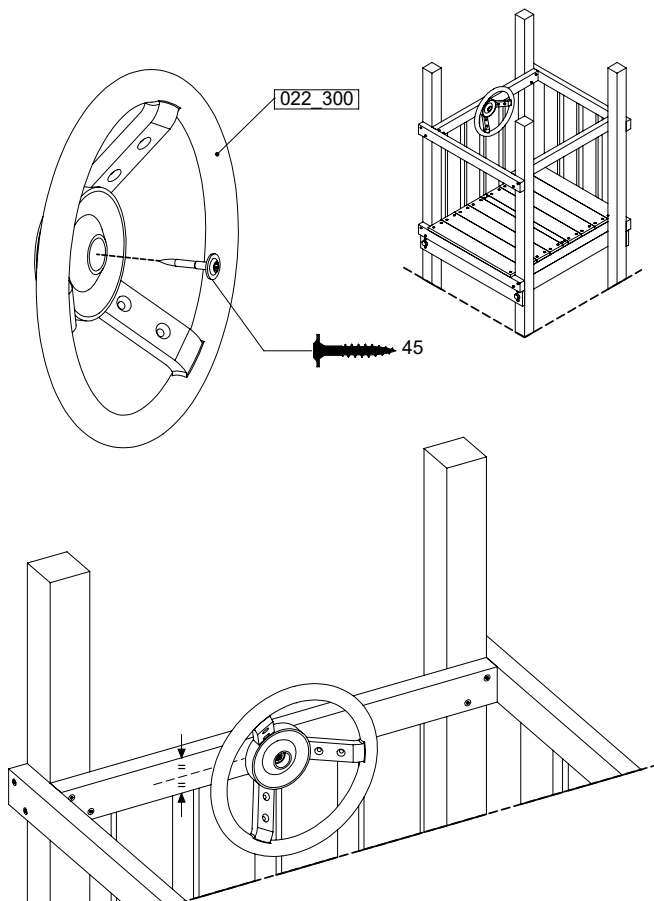
8 AC01a: Accessories

(194_119)

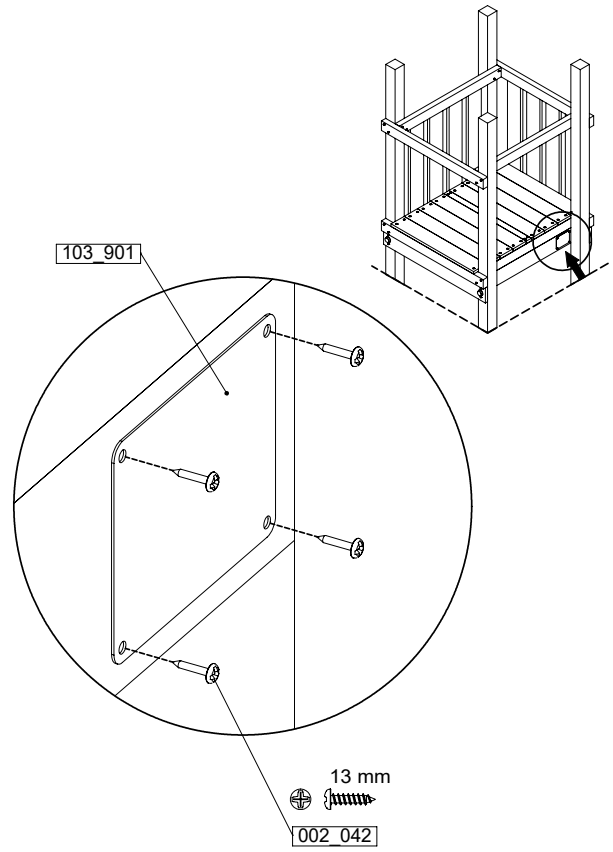
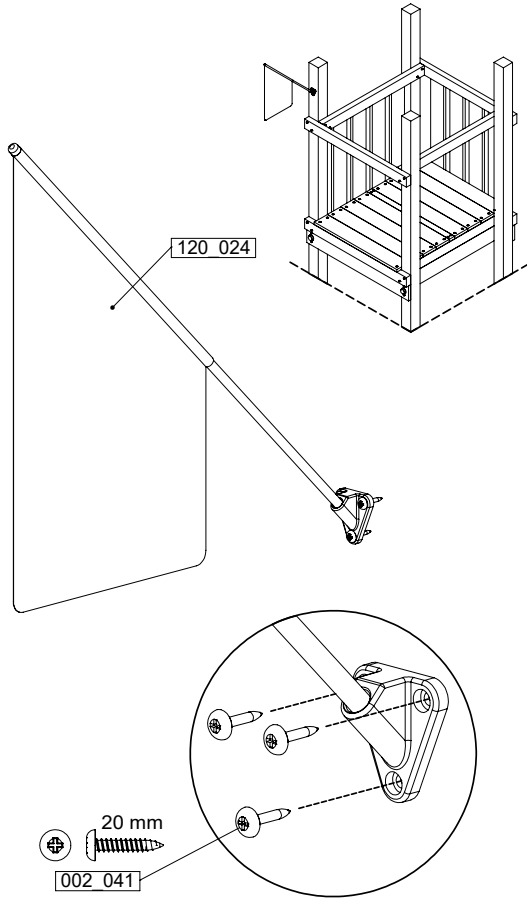
	PartNo	PartName	QTY.
Hardware Pack 100_617	001_406	Stealth Screw 8x45	1
	002_041	Dome head screw 4.5 x 20 mm	3
	002_042	Dome head screw 3.5 x 13mm	4
	002_219	Gap Point Screw T25 - 5x30	2
Other	022_300	Steering Wheel	1
	022_800	Rail P/T 105	1
	022_910	Sandpad	1
	103_901	Logo ID Plate	1
	104_107	Tool Set Climbing Units	1
	120_024	Tower Flag	1
	122_302	Telescope	1



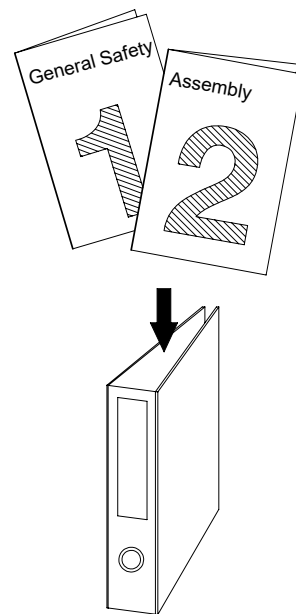
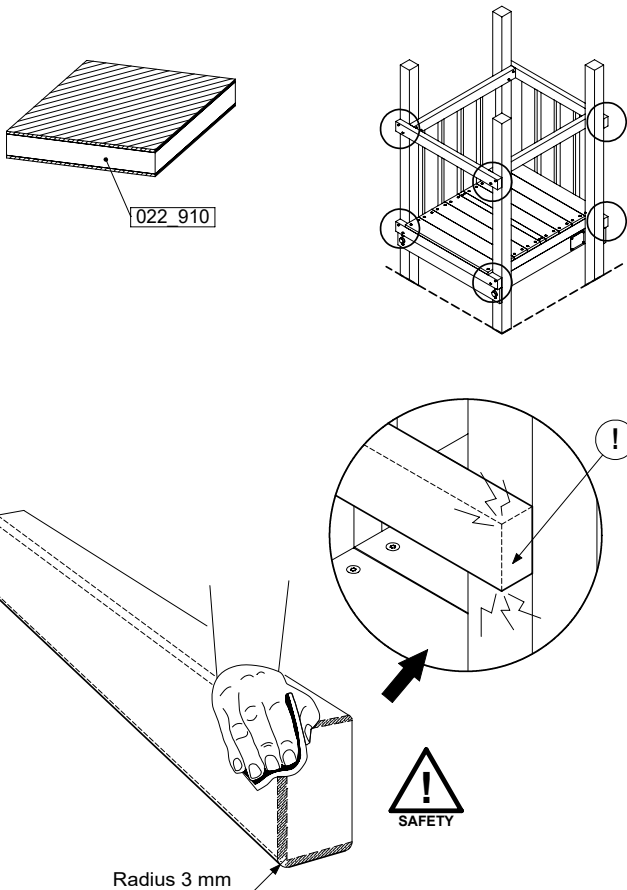
Accessory set - P02 - 24/01/2024 - v5



Accessory set - P03 - 24/01/2024 - v5



Accessory set - P04 - 24/01/2024 - v5



Accessory set - P05 - 24/01/2024 - v5



Safe play instructions and safety notices

Sichere Spielanweisungen und Sicherheitswarnungen

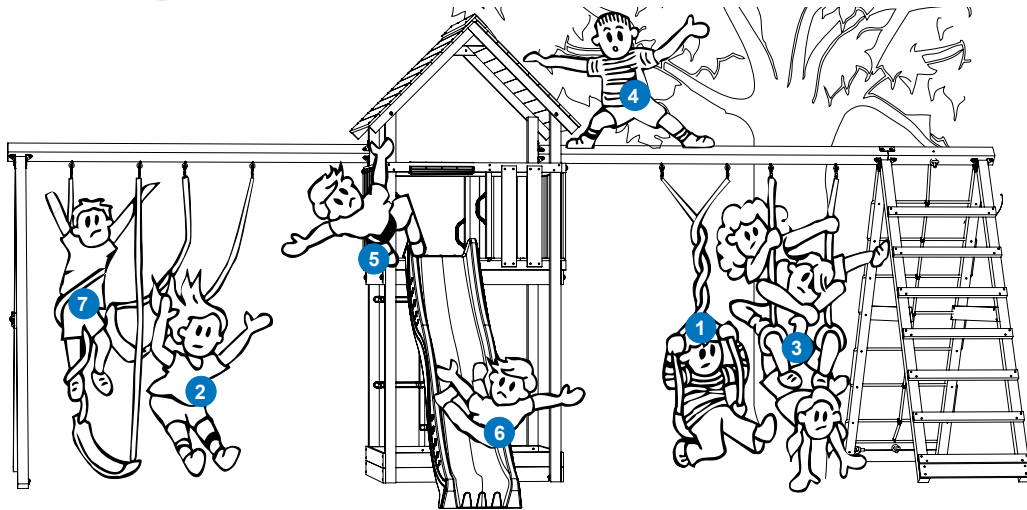
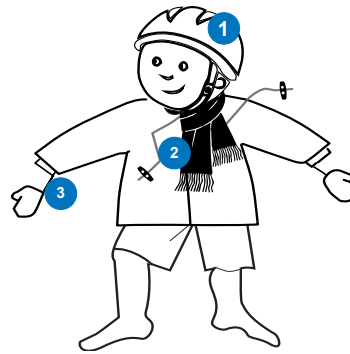
Consignes de jeu sécurisé et avis de sécurité



1,2,3,4



Part 1

Maximum number of users
Maximale Benutzerzahl
Le nombre maximal d'utilisateurs




Satisfied with the result? We'd love your rating.
Zufrieden mit dem Ergebnis? Teilen Sie Ihre Bewertung.
Satisfait du résultat ? Nous serions ravis de recevoir votre avis.

Review us on






Scan | Click




Google account required

Review us on

Scan | Click



Trustpilot account required



EU Declaration of Conformity
UK Conformity Assessed
EU-Konformitätserklärung
Déclaration EU de conformité



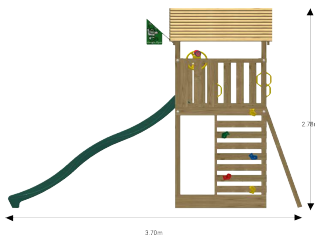
(in accordance with 768/2008/EC)



Verified safety & Assembly instructions
Geprüfte Sicherheit & Montageanleitung
Sécurité vérifiée et Instructions de montage

Design Code : **wpf4c4**

Checkpoint	Description	Compliance
1. Balustrades / Guardrails	Each platform is fully enclosed by balustrades, except at intentional means of access/exit. Height & spacing according to EN 71-8	✓ Pass
2. Swing vs. Slide / Pole Interference	Swing arc (incl. rope loop) does not cross slide entry/exit or Fireman's Pole starting section.	✓ Pass
3. Object Space Separation	No overlap between two object spaces (e.g., climbing wall vs. slide exit).	✓ Pass
4. Object Space vs. Fall Space	Fall zones and free space (impact areas with shock-absorbing surface) are clear of other object spaces. No overlap between fall and use zones.	✓ Pass



Frontview



Topview



Sideview

✓ **Safety Checked**

Your design is automatically reviewed by our safety rule engine and verified by our output control center before instructions are generated. Your design has passed all safety checks.

1. General chapter presence	All general chapters are present (safety guidelines, customer service information, order overview, timber parts list, slide and hardware registration overview, part en pieces references, registration & warnings, required tools, installation and assembly notices, overall dimensions, assembly sequence).	✓ Pass
2. Sub-assembly Presence	All sub-assemblies are listed in the complete composition and delivery overview.	✓ Pass
3. Sub-assembly listings	All sub-assemblies references are listed in the assembly sequence table	✓ Pass
4. Sub-assembly links	Link references in the assembly sequence table correspond to the correct assembly instruction chapters.	✓ Pass
5. Timber part presence	Each assembly instruction chapter includes a corresponding timber part list..	✓ Pass
6. Timber part counts	Individual timber parts listed in the individual assembly pack overview in the assembly instruction chapter are counted and matched with the overview in the timber part list.	✓ Pass

✓ **Manual checked**

This assembly manual has been reviewed and verified. All required chapters, sub-assemblies, sequence references, timber lists, and BOMs have been checked and confirmed to be complete and consistent. You can be confident that this manual gives you all the information you need for a safe and complete assembly, provided the instructions are followed carefully.



EU Declaration of Conformity
UK Conformity Assessed
EU-Konformitätserklärung
Déclaration EU de conformité



(in accordance with 768/2008/EC)

Product range: Activity toys for domestic use
Produktfamilie: Aktivitätsspielzeug für den häuslichen Gebrauch
Gamme de produits: Jouets d'activité à usage familial

DoC reference: 20260105_0700

Identification climbing frames

a. Complete climbing frame assemblies - Vollständige Klettergerüst-Baugruppen - Assemblages complets de structures d'escalade

Playtowers 801_005, 801_009, 801_010, 801_013, 801_025, 801_040, 801_060, 801_070, 801_090, 801_095, 801_100, 801_103, 801_105, 801_110, 801_120, 801_200, 802_202, 802_204, 802_206, 802_208, 803_202, 803_204, 803_206, 803_208, 803_210, 809_802, 809_804
Swings 801_300, 801_601, 801_602
Modules 850_175, 850_220, 850_240

b. Climbing frame elements - Klettergerüst-Elemente - Éléments de structures d'escalade

Base towers (BT) BT01a, BT02a, BT03a, BT11a, BT14a, BT15a, BT07, BT12, BT16, BT20a, BT22, BT23
Extension towers (ET) ET01a, ET02a, ET05a, ET06a, ET07a, ET08a, ET09a, ET10a, ET11a, ET12a, ET13a, ET14a, ET15a, ET16a, ET17a, ET18a, ET19a, ET20a, ET22a, ET23a, ET27a, ET28a, ET35a, ET29a, ET39a, ET40a
Veranda (VD) VD01a, VD02a, VD03a, VD04a, VD05a
Bridges (CB, NB, BB, TB) CB01a, CB01b, NB01a, BB01a, BB02a, TB01a, TB02a, TB03a, TB04a
Roofs (RF) RF01a, RF21a, RF02a, RF03a, RF04a, RF05a, RF06a, RF20a, RF02b, RF03b, RF28a, RF31a, RF07a, RF08a, RF22a, RF09a, RF23a, RF11a, RF12a, RF16a, RF07b, RF12b, RF08b, RF22b, RF09b, RF23b, RF11b, RF29a, RF34a, RF32a, RF14a, RF24a, RF15a, RF25a, RF18a, RF17a, RF18b, RF14b, RF24b, RF15b, RF25b, RF30a, RF35a, RF33a
Balustrade (BL, BF) BL01a, BL02a, BL11a, BL12a, BL21a, BL22a, BF25a, BF26a, BF27a, BF28a, BL03a, BL04a, BL13a, BL14a, BF01a, BF02a, BF03a, BF04a, BF05a, BF06a, BF07a, BF08a, BF01b, BF02b, BF03b, BF04b, BF05b, BF06b, BF07b, BF08b, BL05a, BL06a, BL07a, BL08a, BL09a, BL10a, BL15a, BL16a, BF21a, BF22a, BF23a, BF24a, BF21b, BF22b, BF23b, BF24b
Playhouse (PH) PH03a, PH04a, PH05a, PH06a, PH10a, PH11a, PH40a, PH41a, PH12a, PH13a, PH14a, PH15a, PH42a, PH43a, PH44a, PH45a, PH16a, PH17a, PH18a, PH19a, PH30a, PH31a, PH16b, PH17b, PH18b, PH19b, PH46a, PH47a, PH48a, PH49a, PH16c, PH17c, PH18c, PH19c, PH46b, PH47b, PH48b, PH49b, PH34a, PH35a, PH20a, PH21a, PH22a, PH23a, PH24a, PH25a, PH26a, PH27a, PH32a, PH33a, PH52a, PH53a, PH54a, PH55a, PH56a, PH57a, PH50a, PH51a, PH26b, PH27b, PH26c, PH27c, PH56b, PH57b
Ladder (LA) LA05a, LA06a, LA01a, LA02a, LA09a, LA03a, LA04a, LA01b, LA02b, LA09b, LA03b, LA04b, LA11a, LA12a, LA13a, LA14a, LA15a, LA16a, LA17a, LA18a, LA31a, LA32a, LA33a, LA34a, LA35a, LA36a, LA37a, LA38a, LA11b, LA12b, LA13b, LA14b, LA15b, LA16b, LA17b, LA18b, LA51a, LA52a, LA53a, LA54a, LA19a, LA20a, LA21a, LA22a, LA23a, LA24a, LA25a, LA26a, LA43a, LA44a, LA45a, LA46a, LA23b, LA24b, LA25b, LA26b
Two Step Ladder (TS) TS01a, TS01b, TS02a, TS02b, TS21b, TS03b, TS22a, TS22b, TS05a, TS06a, TS07a, TS08a, TS09a, TS10a, TS11a, TS12a, TS15a, TS16a, TS17a, TS18a, TS19a, TS20a, TS21a, TS22a
Rope Ladder (RL) RL01a, RL02a, RL05a, RL06a, RL07a, RL08a, RL09a, RL10a, RL11a, RL12a, RL15a, RL16a, RL19a, RL20a
Rock wall (RW) RW01a, RW02a, RW01b, RW02b, RW03b, RW31a, RW32a, RW33a, RW05a, RW06a, RW07a, RW08a, RW09a, RW10a, RW11a, RW12a, RW05b, RW06b, RW07b, RW08b, RW40a, RW41a, RW40b, RW41b, RW42a, RW43a, RW15a, RW16a, RW17a, RW18a, RW19a, RW20a, RW46a, RW47a
Ramp (RA) RA01b, RA02b, RA03a, RA04a, RA21a, RA05a, RA06a, RA07a, RA08a, RA05b, RA06b, RA07b, RA08b, RA11a, RA12a, RA09b, RA10b, RA11b, RA12b
Net (NA, NS) NA01a, NA02a, NS01a, NS02a, NS03a, NS21a, NA04a, NA05a, NS04a, NS05a, NS06a, NS07a, NA08a, NA09a, NS08a, NS09a
Boat (BO) BO01a
Market (MT) MT01a, MT02a, TC01a, TC02a, MT01b, MT02b, TC01b, TC02b, MT05a, MT06a, MT11a, MT12a
Target Canvas (TC) TC03a, TC04a, TC05a, TC06a
Picnic (PC) PC01a, PC01b, PC05a, PC06a, PC09a, PC10a
Playkitchen (PK) PK01a, PK05a, PK09a
Gymnastics bar (GY) GY01a
Fireman's pole (FP) FP30a, FP01a, FP02a, FP04a, FP05a, FP06a, FP07a, FP23a, FP24a, FP25a, FP26a, FP27a, FP28a
Slides (SL) SL30a, SL31a, SL01a, SL02a, SL03a, SL06a, SL07a, SL08a, SL09a, SL10a, SL11a, SL12a, SL13a, SL26a, SL27a, SL28a, SL29a
Swing (SM) SW17a, SW21a, SW18a, SW22a, SW19a, SW23a, SW01a, SW05a, SW02a, SW06a, SW03a, SW07a, SW09a, SW13a, SW10a, SW14a, SW11a, SW15a
Climb (CL) CL17a, CL21a, CL18a, CL22a, CL19a, CL23a, CL01a, CL05a, CL02a, CL06a, CL03a, CL07a, CL09a, CL13a, CL10a, CL14a, CL11a, CL15a
Universal Beam (UB) UB01a, UB04a, UB20a, UB21a, UB22a, UB23a, UB24a, UB25a, UB26a, UB27a, UB28a, UB29a, UB02a, UB05a, UB03a, UB06a, UB07a, UB08a
Accessories (AC) AC40a, AC43a, AC30a, AC31a, AC32a, AC33a, AC01a, AC11a, AC05a, AC07a, AC03a, AC04a, AC06a, AC23a, AC22a, AC24a, AC21a, AC25a, AC02a, GA31, AC09a, AC08a, AC10a

Identification construction packages

a. Assembly kits for complete climbing frames - Montagesets für komplette Klettergerüste - Kits de montage pour structures d'escalade complètes

Playtowers 401_015, 401_080, 401_125, 402_201, 402_202, 402_204, 402_206, 402_208, 403_202, 403_204, 403_206, 403_208, 403_210, 409_802, 409_804
Swings 401_300, 401_600
Modules 457_005, 457_102, 457_103, 457_106, 457_107, 457_205

b. Assembly packs for climbing frames elements - Baupakete für Klettergerüst-Elemente - Packs de construction pour éléments de structures d'escalade

Sub assemblies 194_002, 194_003, 194_004, 194_006, 194_007, 194_008, 194_009, 194_010, 194_011, 194_100, 194_101, 194_102, 194_103, 194_104, 194_105, 194_107, 194_108, 194_109, 194_110, 194_111, 194_112, 194_113, 194_114, 194_115, 194_116, 194_117, 194_118, 194_119, 194_120, 194_300, 194_308, 194_312, 194_500, 194_501, 194_508, 194_510, 194_802, 194_804, 194_809, 194_810, 194_811, 194_812

c. Accessories and components for climbing frames - Zubehör und Komponenten für Klettergerüste - Accessoires et composants pour structures d'escalade

Slides 324_x00, 324_100, 324_200, 324_300, 324_400, 324_500, 324_600, 334_x00, 334_100, 334_200, 334_300, 334_400, 334_500, 334_600
Fireman's pole 201_275
Climbing 201_060, 201_273
Imagination 201_230, 201_280, 201_285, 201_290, 201_295, 202_473, 450_310, 450_320, 450_330
Swinging 250_001, 250_013, 250_025, 250_034, 250_053
Functional 123_220, 123_222, 123_230, 201_115, 201_220, 201_250, 201_260, 201_270, 202_620, 202_621, 202_622, 202_623, 202_624, 202_625, 202_626, 202_627, 202_628, 202_629, 202_824, 250_060, 250_065, 250_070, 250_075

Applicable EU and UK directives, regulations and standards

General directives

- EU Product Safety Regulation (GPSR 2023/988/EC)
- UK General Product Safety Regulations (GPSRs SI 2005/1803)
- EU Reach Directive 1907/2006
- EU Accessibility Act (EAA 2019/882)
- AfPS GS 2019:01 PAK

Toy directives

- EU Toys Safety Directive (TSD 2009/48/EC)
- UK Toys Safety Regulations 2011 (TSR SI 2011/1881)

Harmonised European and UK toy standard

- Safety of toys (EN 71)
 - Part 1: Mechanical and physical properties (prEN 71-1:2024)
 - Part 2: Flammability (EN 71-2:2020/prA1:2023)
 - Part 3: Migration of certain elements (EN 71-3:2019+A2:2024)
 - Part 8: Activity toys for domestic use (prEN 71-8:2024)

Additional audits

Test reports / Certificate:

TüV Rheinland Product Safety GmbH

Prüfbericht / Zertifikat:

Am Grauen Stein, 51105 Köln, Germany

Rapport d'essai / certificate:

Zertifikat: R 60010766, R 60024578

Prüfbericht: 21115718_003/004/005, 21140630_001/002

Dekra Automobil GmbH

Handwerkstraße 15, 70565 Stuttgart, Germany

Prüfbericht: 340331500_55245585/13-2, 55247432.14-1, 55247432.14-2

Laboratoire National de métrologie et d'essais (LNE)

29 Avenue Roger Hennequin, 78197 Trappes Cedex, France

Revue documentaire: K080196

Design

Product image:

Produktbild:

Image du produit:

Design Code:

w p f 4 c 4



Production date:

18-02-2026

Declaration

This declaration of conformity is issued solely under the responsibility of the manufacturer, who asserts that the aforementioned products comply with the applicable directives and harmonized standards, provided that installation, assembly, and maintenance are performed in accordance with the instructions supplied.

Diese Konformitätserklärung wird ausschließlich unter der Verantwortung des Herstellers ausgestellt, der erklärt, dass die genannten Produkte den geltenden Richtlinien und harmonisierten Standards entsprechen, vorausgesetzt, dass Installation, Montage und Wartung gemäß den bereitgestellten Anweisungen durchgeführt werden.

Cette déclaration de conformité est émise uniquement sous la responsabilité du fabricant, qui affirme que les produits mentionnés ci-dessus sont conformes aux directives applicables et aux normes harmonisées, à condition que l'installation, le montage et l'entretien soient réalisés conformément aux instructions fournies.

Manufacturer details

Jungle Gym B.V.

P.O. Box 75083

1070 AB Amsterdam

Netherlands

www.jungle gym.com

info@jungle gym.com

+31 85 44 44 100

Jungle Gym

BACKYARD PLAYGROUNDS

— since 1988 —

Amsterdam, January 13th, 2026

On behalf of the manufacturer
Jungle Gym B.V.


Paul Schmit
CEO