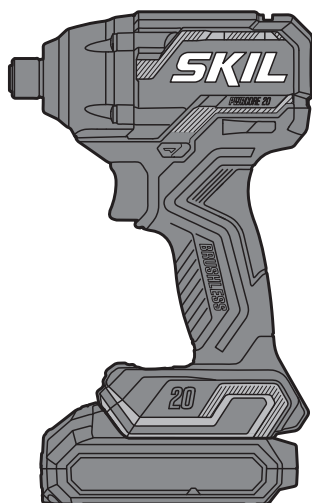


# SKIL®



## BRUSHLESS CORDLESS IMPACT DRIVER 3211 (SD1\*3211\*\*)



<b>GB</b>	ORIGINAL INSTRUCTIONS	8	<b>UA</b>	ОРИГІНАЛЬНА ІНСТРУКЦІЯ З ЕКСПЛУАТАЦІЇ	69
<b>F</b>	NOTICE ORIGINALE	11	<b>GR</b>	ΠΡΟΤΟΤΥΠΟ ΟΔΗΓΙΩΝ ΧΡΗΣΗΣ	73
<b>D</b>	ORIGINALBETRIEBSANLEITUNG	15	<b>RO</b>	INSTRUCȚIUNI DE FOLOSIRE ORIGINALE	77
<b>NL</b>	ORIGINELE GEBRUIKSAANWIJZING	19	<b>BG</b>	ОРИГИНАЛНО РЪКОВОДСТВО ЗА ЕКСПЛОАТАЦИЯ	81
<b>S</b>	BRUKSANVISNING I ORIGINAL	23	<b>SK</b>	PŮVODNÝ NÁVOD NA POUŽITIE	86
<b>DK</b>	ORIGINAL BRUGSANVISNING	26	<b>HR</b>	ORIGINALNE UPUTE ZA RAD	89
<b>N</b>	ORIGINAL BRUKSANVISNING	30	<b>SRB</b>	ORIGINALNO UPUTSTVO ZA RAD	93
<b>FIN</b>	ALKUPERÄISET OHJEET	33	<b>SLO</b>	IZVIRNA NAVODILA	96
<b>E</b>	MANUAL ORIGINAL	37	<b>EST</b>	ALGUPÄRANE KASUTUSJUHEND	100
<b>P</b>	MANUAL ORIGINAL	41	<b>LV</b>	ORIĢINĀLĀ LIETOŠANAS PAMĀCĪBA	103
<b>I</b>	ISTRUZIONI ORIGINALI	45	<b>LT</b>	ORIGINALI INSTRUKCIJA	107
<b>H</b>	EREDETI HASZNÁLATI UTASÍTÁS	49	<b>MK</b>	ИЗБОРНО УПАТСТВО ЗА РАБОТА	111
<b>CZ</b>	PŮVODNÍM NÁVODEM K POUŽÍVÁNÍ	53	<b>AL</b>	UDHËZIMET ORIGINALE	115
<b>TR</b>	ORİJİNAL İŞLETME TALİMATI	56	<b>AR</b>	دليل الاستعمال	128
<b>PL</b>	INSTRUKCJA ORYGINALNA	60	<b>FA</b>	راهنمای اصلی	126
<b>RU</b>	ПОДЛИННИК РУКОВОДСТВА ПО ЭКСПЛУАТАЦИИ	64			



**EAC**



[www.skil.com](http://www.skil.com)






<b>GB</b>	<b>EU Declaration of conformity</b> <b>Cordless impact driver</b>	Article number	We declare under our sole responsibility that the stated products comply with all applicable provisions of the directives and regulations listed below and are in conformity with the following standards. Technical file at: ★
<b>F</b>	<b>Déclaration de conformité UE</b> <b>Visseuse à chocs sans-fil</b>	Numéro d'article	Nous déclarons sous notre propre responsabilité que les produits décrits sont en conformité avec les directives, règlements normatifs et normes énumérés ci-dessous. Dossier technique auprès de: ★
<b>D</b>	<b>EU-Konformitätserklärung</b> <b>Akku-Drehschlagschrauber</b>	Sachnummer	Wir erklären in alleiniger Verantwortung, dass die genannten Produkte allen einschlägigen Bestimmungen der nachfolgend aufgeführten Richtlinien und Verordnungen entsprechen und mit folgenden Normen übereinstimmen. Technische Unterlagen bei: ★
<b>NL</b>	<b>EU-conformiteitsverklaring</b> <b>Accu-slagschroevendraaier</b>	Productnummer	Wij verklaren op eigen verantwoordelijkheid dat de genoemde producten voldoen aan alle desbetreffende bepalingen van de hierna genoemde richtlijnen en verordeningen en overeenstemmen met de volgende normen. Technisch dossier bij: ★
<b>S</b>	<b>EU-konformitetsförklaring</b> <b>Sladdlös slagskruvdragare</b>	Produktnummer	Vi förklarar under eget ansvar att de nämnda produkterna uppfyller kraven i alla gällande bestämmelser i de nedan angivna direktiven och förordningarnas och att de stämmer överens med följande normer. Teknisk dokumentation: ★
<b>DK</b>	<b>EU-overensstemmelseserklæring</b> <b>Akku-slagskruetrækker</b>	Typenummer	Vi erklærer som eneansvarlige, at det beskrevne produkt er i overensstemmelse med alle gældende bestemmelser i følgende direktiver og forordninger og opfylder følgende standarder. Tekniske bilag ved: ★
<b>N</b>	<b>EU-samsvarserklæring</b> <b>Batteridrevet slagskrutrekker</b>	Produktnummer	Vi erklærer under eneansvar at de nevnte produktene er i overensstemmelse med alle relevante bestemmelser i direktivene og forordningene nedenfor og med følgende standarder. Teknisk dokumentasjon hos: ★
<b>FIN</b>	<b>EU-vaatimustenmukaisuusvakuutus</b> <b>Akkukuruuvinväännin</b>	Tuotenumero	Vakuutamme täten, että mainitut tuotteet vastaavat kaikkia seuraavien direktiivien ja asetusten asiaankuuluvia vaatimuksia ja ovat seuraavien standardien vaatimusten mukaisia. Tekniset asiakirjat saatavana: ★
<b>E</b>	<b>Declaración de conformidad UE</b> <b>Atornillador de impacto a batería</b>	Número de artículo	Declaramos bajo nuestra exclusiva responsabilidad, que los productos nombrados cumplen con todas las disposiciones correspondientes de las directivas y los reglamentos mencionados a continuación y están en conformidad con las siguientes normas. Documentos técnicos de: ★
<b>P</b>	<b>Declaração de conformidade CE</b> <b>Aparafusadora de impacto sem fio</b>	Número do produto	Declaramos sob nossa exclusiva responsabilidade que os produtos mencionados cumprem todas as disposições e os regulamentos indicados e estão em conformidade com as seguintes normas. Documentação técnica pertencente a: ★
<b>I</b>	<b>Dichiarazione di conformità UE</b> <b>Avvitatore ad impulsi a batteria</b>	Codice prodotto	Dichiariamo sotto la nostra piena responsabilità che i prodotti indicati sono conformi a tutte le disposizioni pertinenti delle direttive e dei regolamenti elencati di seguito, nonché alle seguenti normative. Documentazione tecnica presso: ★
<b>H</b>	<b>EU konformitási nyilatkozat</b> <b>Akkus ütvecsavarozó</b>	Cikkszám	Egyedüli felelőséggel kijelentjük, hogy a megnevezett termékek megfelelnek az alábbiakkban felsorolásra kerülő irányelvek és rendeletek valamennyi idevágó előírásainak és megfelelnek a következő szabványoknak. Műszaki dokumentumok megőrzési pontja: ★
<b>CZ</b>	<b>EU prohlášení o shodě</b> <b>Akumulátorový rázový šroubovák</b>	Objednací číslo	Prohlašujeme na výhradní zodpovědnost, že uvedený výrobek splňuje všechna příslušná ustanovení níže uvedených směrnic a nařízení a je v souladu s následujícími normami. Technické podklady u: ★
<b>TR</b>	<b>AB Uygunluk beyanı</b> <b>Akülü darbeli vidalama makinesi</b>	Ürün kodu	Tek sorumlu olarak, tanımlanan ürünün aşağıdaki yönetmelik ve direktiflerin geçerli bütün hükümlerine ve aşağıdaki standartlara uygun olduğunu beyan ederiz. Teknik belgelerin bulunduğu yer: ★
<b>PL</b>	<b>Deklaracja zgodności UE</b> <b>Akumulatorkowa zakrętarła udarowa</b>	Numer katalogowy	Oświadczamy z pełną odpowiedzialnością, że niniejsze produkty odpowiadają wszystkim wymaganiom poniżej wyszczególnionych dyrektyw i rozporządzeń, oraz że są zgodne z następującymi normami. Dokumentacja techniczna: ★
<b>RU</b>	<b>Заявление о соответствии ЕС</b> <b>Акумуляторный ударный шуруповерт</b>	Товарный номер	Мы заявляем под нашу единоличную ответственность, что названные продукты соответствуют всем действующим предписаниям нижеуказанных директив и распоряжений, а также нижеуказанных норм. Техническая документация хранится у: ★
<b>UA</b>	<b>Заява про відповідність ЄС</b> <b>Акумуляторний ударний шуруповерт</b>	Товарний номер	Мизаявляємо під нашу одноособову відповідальність, що названі вироби відповідають усім чинним положенням нищезначених директив і розпоряджень, а також нижчеозначеним нормам. Технічна документація зберігається у: ★



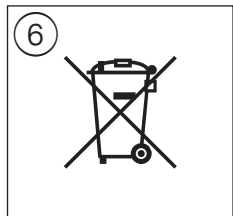
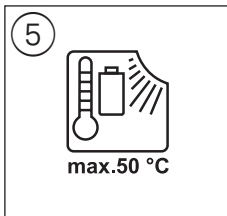
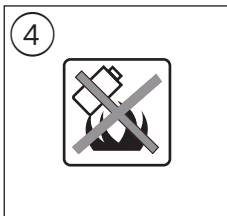
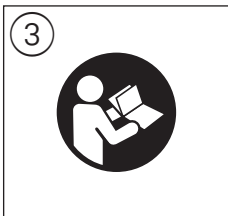
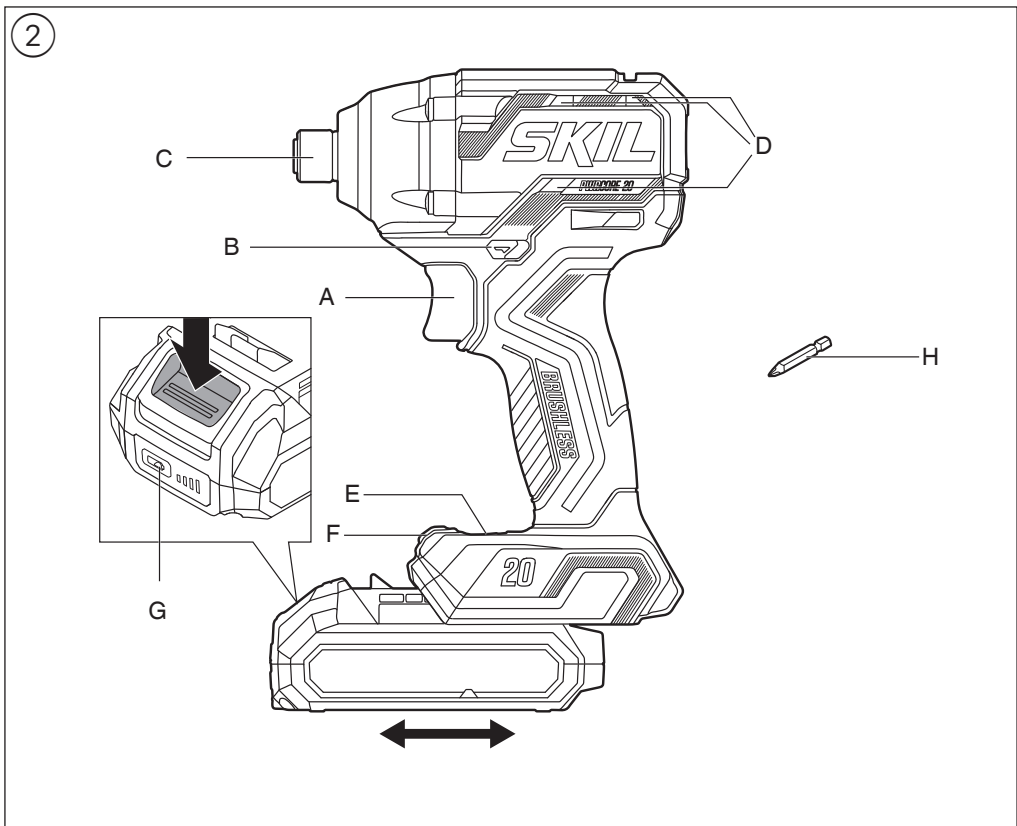
GR	Δήλωση πιστότητας ΕΕ		Δηλώνουμε με αποκλειστική μας ευθύνη, ότι τα αναφερόμενα προϊόντα αντιστοιχούν σε όλες τις σχετικές διατάξεις των πιο κάτω αναφερόμενων οδηγιών και κανονισμών και ταυτίζονται με τα ακόλουθα πρότυπα. Τεχνικά έγγραφα στη: *
	Παλμικό κατασαβίδι μπαταρίας	Αριθμός ευρετηρίου	
RO	Declarație de conformitate UE		Declarăm pe proprie răspundere că produsele menționate corespund tuturor dispozițiilor relevante ale directivelor și reglementărilor enumerate în cele ce urmează și sunt în conformitate cu următoarele standarde. Documentație tehnică la: *
	Șurubelnită cu impact cu acumulatori	Număr de identificare	
BG	ЕС декларация за съответствие		С пълна отговорност ние декларираме, че посочените продукти отговарят на всички валидни изисквания на директивите и разпоредбите по-долу и съответства на следните стандарти. Техническа документация при: *
	Акумулаторен ударен гайковерт	Каталожен номер	
SK	EU vyhlásenie o zhode		Vyhlasujeme na výhradnú zodpovednosť, že uvedený výrobok spĺňa všetky príslušné ustanovenia nižšie uvedených smerníc a nariadení a je v súlade s nasledujúcimi normami. Technické podklady má spoločnosť: *
	Akumulátorový rázový skrutkovač	Vecné číslo	
HR	EU izjava o sukladnosti		Pod punom odgovornošću izjavljujemo da navedeni proizvodi odgovaraju svim relevantnim odredbama direktiva i propisima navedenima u nastavku i da su sukladni sa sljedećim normama. Tehnička dokumentacija se može dobiti kod: *
	Akumulatorski udarni odvijač	Kataloški broj	
SRB	EU-izjava o usaglašenosti		Na sopstvenu odgovornost izjavljujemo, da navedeni proizvodi odgovaraju svim dotičnim odredbama naknadno navedenih smernica u uredaba i da su u skladu sa sledećim standardima. Tehnička dokumentacija kod: *
	Akumulatorski udarni odvijač	Broj predmeta	
SLO	Izjava o skladnosti ES		Izjavljam o izključno odgovornostjo, da je omenjen izdelek v skladu z vsemi relevantnimi določili direktiv in uredb ter ustreza naslednjim standardom. Tehnična dokumentacija pri: *
	Akumulatorski udarni vijačnik	Številka artikla	
EST	EL-vastavusdeklaratsioon		Kinnitame ainuvastutajatena, et nimetatud tooted vastavad järgnevalt loetletud direktiivide ja määruste kõikidele asjaomastele nõuetele ja on kooskõlas järgmistega. Tehnilised dokumendid saadaval: *
	Akulõõkrükiveeraja	Tootenumber	
LV	Deklarācija par atbilstību EK standartiem		Mēs ar pilnu atbildību paziņojam, ka šeit aplūkotie izstrādājumi atbilst visiem tālāk minētajās direktīvās un rīkojumos ietvertajām saistošajām nostādņēm, kā arī sekojošiem standartiem. Tehniskā dokumentācija no: *
	Akumulatora triecienskrūvgriezis	Izstrādājuma numurs	
LT	ES atitikties deklaracija Akumulatorinis smūginis suktuvas		Atsakingai pareiškiame, kad išvardyti gaminiai atitinka visus privalomus žemiau nurodytų direktyvų ir reglamentų reikalavimus ir šiuos standartus. Techninė dokumentacija saugoma: *
	Akumulatorinis smūginis suktuvas	Gaminio numeris	
MK	EU-Изјава за сообразност		Со целосна одговорност изјавуваме, дека опишаните производи се во согласност со сите релевантни одредби на следните регулативи и прописи и се во согласност со следните норми. Техничка документација кај: *
	Ударен завртвач	Број на артикл	
AL	EU Deklarata e konformitetit		Ne deklarojmë me përgjegjësinë tonë të vetme se produktet e paraqitura janë në përputhje me të gjitha dispozitat e zbatueshme të direktivave dhe rregulloreve të listuara më poshtë dhe janë në përputhje me standardet si më poshtë. Dosja teknike në: *
	Vidator me çekiç me bateri	Numri i nenit	
3211	SD1*3211**	2006/42/EC 2014/30/EU 2011/65/EU	EN 62841-1:2015 + A11:2022 EN 62841-2-2:2014  EN 55014-1: 2021 EN 55014-2: 2021  EN 63000: 2018
		 * Skil BV Rithmeesterpark 22 A1 4838 GZ Breda The Netherlands	
		Olaf Dijkgraaf Approval Manager	
			
		Skil BV, Rithmeesterpark 22 A1, 4838 GZ Breda, NL 04.03.2024	

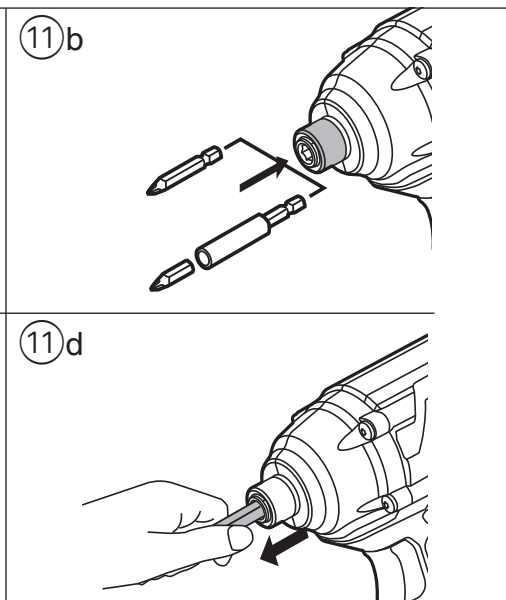
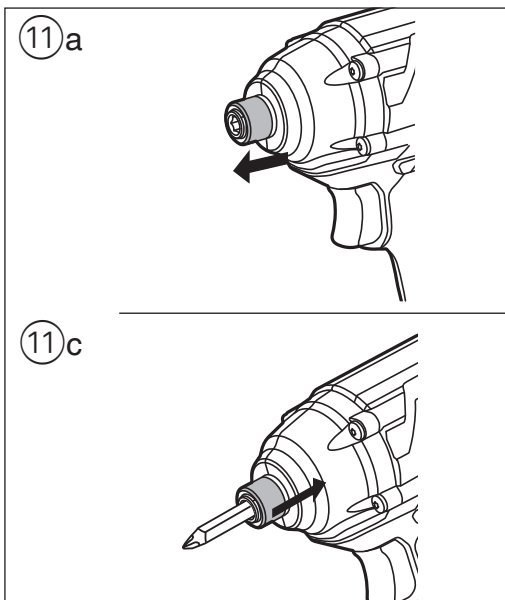
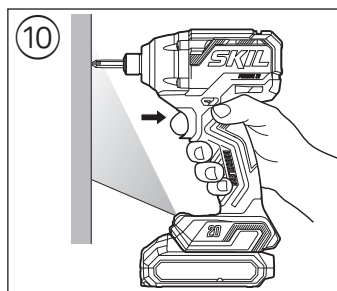
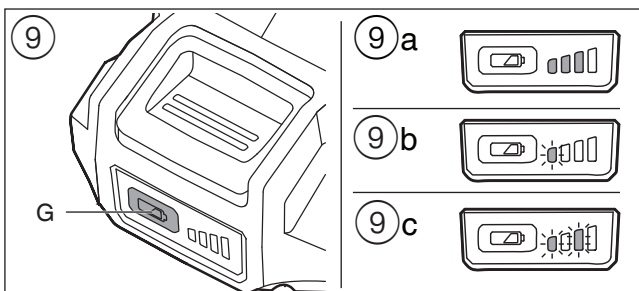
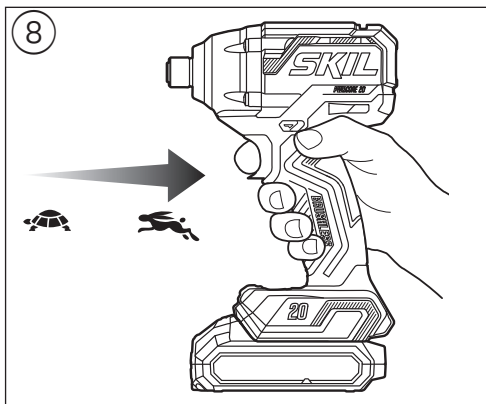
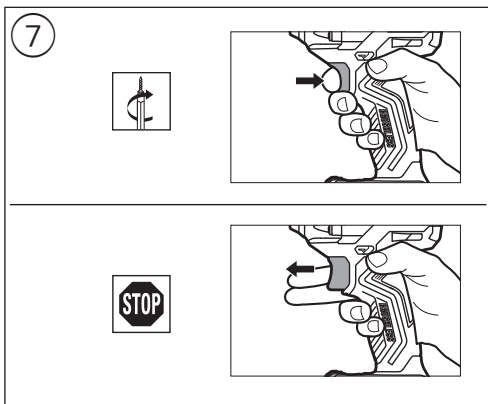


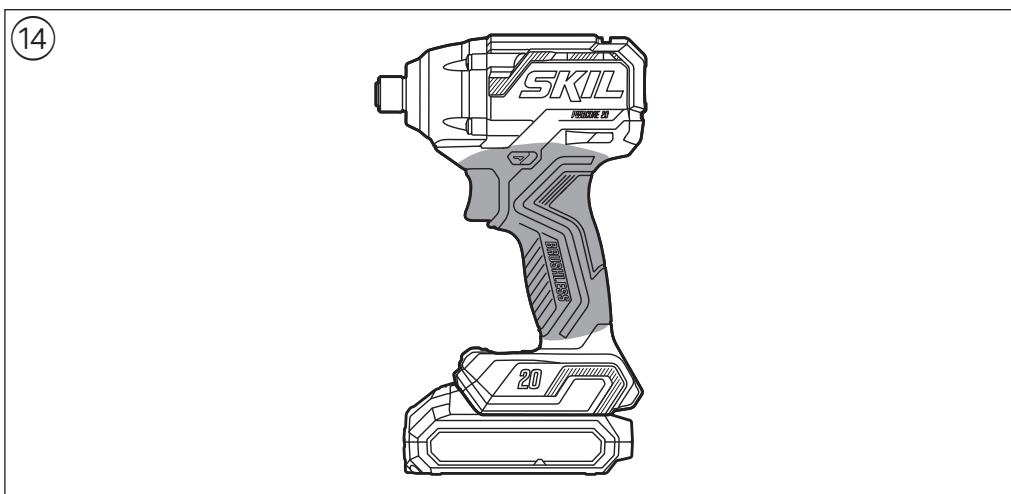
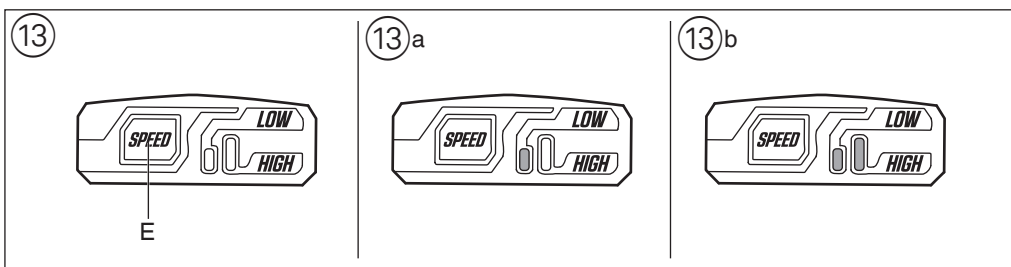
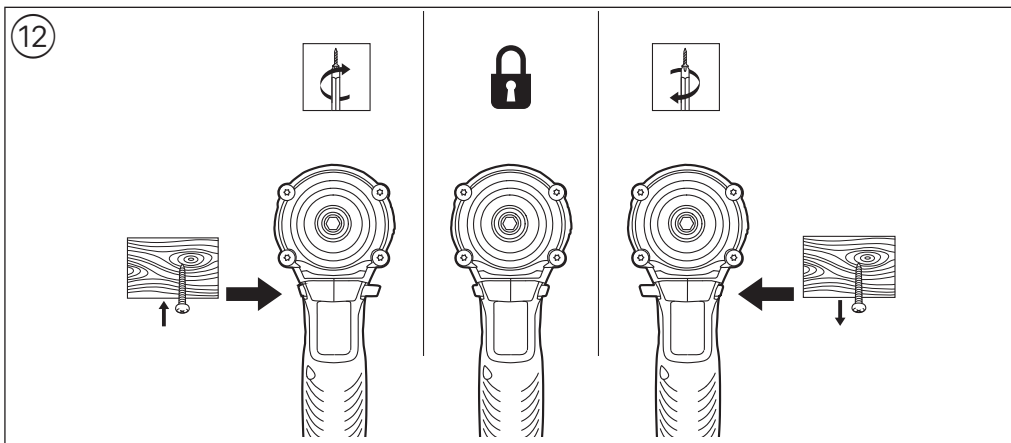
<b>Declaration of Conformity</b>		We declare under our sole responsibility that the stated products comply with all applicable provisions of the directives and regulations listed below and are in conformity with the following standards
<b>Cordless impact driver</b>	Article number	Technical file at: Chervon Europe Ltd., 34 Bridge Street, Reading, RG1 2LU, United Kingdom
<b>3211</b>	SD1*3211**	Supply of Machinery (Safety) Regulations 2008 (SI 2008/1597) Electromagnetic Compatibility Regulations 2016 (SI 2016/1091) The Restriction of the Use of Certain Hazardous Substances in Electrical and Electronic Equipment Regulations 2012 (SI 2012/3032)  EN 62841-1:2015+A11:2022 EN 62841-2-2:2014  EN 55014-1:2021 EN 55014-2:2021  EN 63000:2018
		<b>SKIL</b> <sup>®</sup> Chervon Europe Ltd., 34 Bridge Street, Reading, RG1 2LU, United Kingdom, as authorized representative (in terms of above regulations) acting on behalf of Skil BV, Rithmeesterpark 22 A1, 4838GZ Breda, The Netherlands
		James McCrory Technical Service Manager  Place of issue: Reading Date of issue: 04/03/2024

1 **3211**

20V Max 18 Volt	2,0 Ah 2,5 Ah  1,4 kg	4,0 Ah 5,0 Ah  1,7 kg	 n <sub>0</sub> 0-2300/3500 /min	 0-2800/3500 p/min	 1/4" hex
-----------------------	--------------------------------	--------------------------------	---	--------------------------	--------------







ACCESSORIES → WWW.SKIL.COM

## Brushless cordless impact driver

3211

### INTRODUCTION

- This tool is intended for driving in and loosening screws and bolts
  - Check whether the packaging contains all parts as illustrated in drawing ②
  - When parts are missing or damaged, please contact your dealer
- Read and save this instruction manual ③
  - **Pay special attention to the safety instructions and warnings; failure to follow these may result in serious injury**

### TECHNICAL DATA ①

Max. torque for hard screwdriving application according to ISO 5393 : 250Nm

### TOOL ELEMENTS ②

- A Switch for on/off and speed control
- B Switch for changing direction of rotation
- C Locking sleeve
- D Ventilation slots
- E Speed button
- F LED-light
- G Battery level indicator
- H 50mm driver bit

### SAFETY

#### GENERAL POWER TOOL SAFETY WARNINGS

**⚠ WARNING** Read all safety warnings, instructions, illustrations and specifications provided with this power tool. Failure to follow all instructions listed below may result in electric shock, fire and/or serious injury.

Save all warnings and instructions for future reference.

The term "power tool" in the warnings refers to your mains-operated (corded) power tool or battery-operated (cordless) power tool.

#### 1) WORK AREA SAFETY

- a) **Keep work area clean and well lit.** Cluttered or dark areas invite accidents.
- b) **Do not operate power tools in explosive atmospheres, such as in the presence of flammable liquids, gases or dust.** Power tools create sparks which may ignite the dust or fumes.
- c) **Keep children and bystanders away while operating a power tool.** Distractions can cause you to lose control.

#### 2) ELECTRICAL SAFETY

- a) **Power tool plugs must match the outlet. Never modify the plug in any way. Do not use any adapter plugs with earthed (grounded) power tools.** Unmodified plugs and matching outlets will reduce risk of electric shock.

- b) **Avoid body contact with earthed or grounded surfaces such as pipes, radiators, ranges and refrigerators.** There is an increased risk of electric shock if your body is earthed or grounded.
  - c) **Do not expose power tools to rain or wet conditions.** Water entering a power tool will increase the risk of electric shock.
  - d) **Do not abuse the cord. Never use the cord for carrying, pulling or unplugging the power tool. Keep cord away from heat, oil, sharp edges or moving parts.** Damaged or entangled cords increase the risk of electric shock.
  - e) **When operating a power tool outdoors, use an extension cord suitable for outdoor use.** Use of a cord suitable for outdoor use reduces the risk of electric shock.
  - f) **If operating a power tool in a damp location is unavoidable, use a residual current device (RCD) protected supply.** Use of an RCD reduces the risk of electric shock.
- #### 3) PERSONAL SAFETY
- a) **Stay alert, watch what you are doing and use common sense when operating a power tool. Do not use a power tool while you are tired or under the influence of drugs, alcohol or medication.** A moment of inattention while operating power tools may result in serious personal injury.
  - b) **Use personal protective equipment. Always wear eye protection.** Protective equipment such as a dust mask, non-skid safety shoes, hard hat, or hearing protection used for appropriate conditions will reduce personal injuries.
  - c) **Prevent unintentional starting. Ensure the switch is in the off-position before connecting to power source and/or battery pack, picking up or carrying the tool.** Carrying power tools with your finger on the switch or energising power tools that have the switch on invites accidents.
  - d) **Remove any adjusting key or wrench before turning the power tool on.** A wrench or a key left attached to a rotating part of the power tool may result in personal injury.
  - e) **Do not overreach. Keep proper footing and balance at all times.** This enables better control of the power tool in unexpected situations.
  - f) **Dress properly. Do not wear loose clothing or jewellery. Keep your hair and clothing away from moving parts.** Loose clothes, jewellery or long hair can be caught in moving parts.
  - g) **If devices are provided for the connection of dust extraction and collection facilities, ensure these are connected and properly used.** Use of dust collection can reduce dust-related hazards.
  - h) **Do not let familiarity gained from frequent use of tools allow you to become complacent and ignore tool safety principles.** A careless action can cause severe injury within a fraction of a second.
- #### 4) POWER TOOL USE AND CARE
- a) **Do not force the power tool. Use the correct power tool for your application.** The correct power tool will do the job better and safer at the rate for which it was designed.
  - b) **Do not use the power tool if the switch does not turn**



- it on and off. Any power tool that cannot be controlled with the switch is dangerous and must be repaired.
- c) **Disconnect the plug from the power source and/ or remove the battery pack, if detachable, from the power tool before making any adjustments, changing accessories, or storing power tools.** Such preventive safety measures reduce the risk of starting the power tool accidentally.
  - d) **Store idle power tools out of the reach of children and do not allow persons unfamiliar with the power tool or these instructions to operate the power tool.** Power tools are dangerous in the hands of untrained users.
  - e) **Maintain power tools and accessories. Check for misalignment or binding of moving parts, breakage of parts and any other condition that may affect the power tool's operation. If damaged, have the power tool repaired before use.** Many accidents are caused by poorly maintained power tools.
  - f) **Keep cutting tools sharp and clean.** Properly maintained cutting tools with sharp cutting edges are less likely to bind and are easier to control.
  - g) **Use the power tool, accessories and tool bits etc., in accordance with these instructions, taking into account the working conditions and the work to be performed.** Use of the power tool for operations different from those intended could result in a hazardous situation.
  - h) **Keep handles and grasping surfaces dry, clean and free from oil and grease.** Slippery handles and grasping surfaces do not allow for safe handling and control of the tool in unexpected situations.
- 5) BATTERY TOOL USE AND CARE**
- a) **Recharge only with the charger specified by the manufacturer.** A charger that is suitable for one type of battery pack may create a risk of fire when used with another battery pack.
  - b) **Use power tools only with specifically designated battery packs.** Use of any other battery packs may create a risk of injury and fire.
  - c) **When battery pack is not in use, keep it away from other metal objects like paper clips, coins, keys, nails, screws, or other small metal objects that can make a connection from one terminal to another.** Shorting the battery terminals together may cause burns or a fire.
  - d) **Under abusive conditions, liquid may be ejected from the battery; avoid contact. If contact accidentally occurs, flush with water. If liquid contacts eyes, additionally seek medical help.** Liquid ejected from the battery may cause irritation or burns.
  - e) **Do not use a battery pack or tool that is damaged or modified.** Damaged or modified batteries may exhibit unpredictable behaviour resulting in fire, explosion or risk of injury.
  - f) **Do not expose a battery pack or tool to fire or excessive temperature.** Exposure to fire or temperature above 130°C may cause explosion.
  - g) **Follow all charging instructions and do not charge the battery pack or tool outside the temperature range specified in the instructions.** Charging improperly or at temperatures outside the specified range may damage the battery and increase the risk of fire.
- 6) SERVICE**

- a) **Have your power tool serviced by a qualified repair person using only identical replacement parts.** This will ensure that the safety of the power tool is maintained.
- b) **Never service damaged battery packs.** Service of battery packs should only be performed by the manufacturer or authorized service providers.

#### **SAFETY INSTRUCTIONS FOR CORDLESS IMPACT DRIVERS**

- **Hold the power tool by insulated gripping surfaces, when performing an operation where the fastener may contact hidden wiring** (fasteners contacting a "live" wire may make exposed metal parts of the power tool "live" and could give the operator an electric shock)

#### **GENERAL**

- Dust from material such as paint containing lead, some wood species, minerals and metal may be harmful (contact with or inhalation of the dust may cause allergic reactions and/or respiratory diseases to the operator or bystanders); **wear a dust mask and work with a dust extraction device when connectable**
- Certain kinds of dust are classified as carcinogenic (such as oak and beech dust) especially in conjunction with additives for wood conditioning; **wear a dust mask and work with a dust extraction device when connectable**
- Follow the dust-related national requirements for the materials you want to work with
- **Do not work materials containing asbestos** (asbestos is considered carcinogenic)
- Ensure that switch B ② is in the middle (locking) position before making any adjustments or changing accessories as well as when carrying or storing the tool

#### **ACCESSORIES**

- SKIL can assure flawless functioning of the tool only when original accessories are used
- Use only accessories with an allowable speed matching at least the highest no-load speed of the tool

#### **BEFORE USE**

- Avoid damage that can be caused by screws, nails and other elements in your workpiece; remove them before you start working
- **Secure the workpiece** (a workpiece clamped with clamping devices or in a vice is held more securely than by hand)
- **Use suitable detectors to find hidden utility lines or call the local utility company for assistance** (contact with electric lines can lead to fire or electrical shock; damaging a gas line can result in an explosion; penetrating a water pipe will cause property damage or an electrical shock)

#### **BATTERIES**

- **The battery supplied, if any, is partially charged** (to ensure full capacity of the battery, completely charge the battery in the battery charger before using your power tool for the first time)
- **Only use the following batteries and chargers with this tool**
  - SKIL battery: BR1\*31\*\*\*\*
  - SKIL charger: CR1\*31\*\*\*\*
- Do not use battery when damaged; it should be replaced immediately
- Do not disassemble the battery
- Do not expose tool/battery to rain

- Permitted ambient temperature (tool/charger/battery):
  - when charging 4...40°C
  - during operation -20...+50°C
  - during storage -20...+50°C

#### EXPLANATION OF SYMBOLS ON TOOL/BATTERY

- ③ Read the instruction manual before use
- ④ Batteries may explode when disposed of in fire, so do not burn battery for any reason
- ⑤ Store tool/charger/battery in locations where temperature will not exceed 50°C
- ⑥ Do not dispose of electric tools and batteries together with household waste material

## USE

- Combined switch for on/off and speed control A ⑦
  - control the speed steplessly from zero to maximum by putting less or more pressure on the trigger A ⑧
- Charging battery
  - ! **read the safety warnings and instructions provided with the charger**
- Removing/installing the battery ②
- Battery level indicator ⑨
  - press the battery level indicator button G to show the current battery level ⑨a
  - ! **when the lowest level of the battery indicator starts flashing after pressing button G ⑨b, the battery is empty**
  - ! **when 2 levels of the battery indicator start flashing after pressing button G ⑨c, the battery is not within the allowable operating temperature range**
- Battery protection
 

The tool is suddenly being switched off or prevented from being switched on, when

  - **the load is too high** --> remove load and restart
  - **the battery temperature is not within the allowable operating temperature range of -20 to +50°C** --> 2 levels of the battery level indicator start flashing when pressing button G ⑨c; wait until battery has returned within the allowable operating temperature range
  - **the battery is nearly empty (to protect against deep discharge)** --> a low battery level or flashing low battery level ⑨b is shown by the battery level indicator when pressing button G; charge battery
  - ! **do not continue to press the on/off switch after the tool is switched off automatically; battery may be damaged**
- LED-light ⑩
 

LED-light automatically lights on when activating the on/off switch

  - ! **when LED-light starts flashing, the battery protection is activated (see above)**
- Installing and removing bits
  - to install a bit, pull the locking sleeve C forward, insert the bit into the bit holder and release the locking sleeve C to lock the bit. ⑪a ⑪b ⑪c
  - ! **pull the bit forward to check if it is locked ⑪d**
  - to remove a bit, pull the locking sleeve C forward
  - ! **only use bits with ball catch, other bits can be used with a universal bit holder with ball catch**
  - ! **do not use bits with a damaged shank**
- Changing direction of rotation ⑫
  - when not properly set in left/right position, switch A ② cannot be activated

**! change direction of rotation only when tool is at a complete standstill**

- Mode selection ⑬
  - press the speed button E to select the desired tightening or loosening mode when the tool is set to forward or reverse rotation:

**Low speed mode ⑬a**

- tightening or loosening with less force and low speed
- for smaller screws

**High speed mode ⑬b**

- tightening or loosening with high force and speed
- for large screws and bolts

**! modes can only be changed after slightly pressing the on/off switch (LED(s) are activated) and when the tool is at a complete standstill**

- Holding and guiding the tool ⑭
  - ! **while working, always hold the tool at the grey-coloured grip area(s)**
  - keep ventilation slots D ② uncovered
  - do not apply too much pressure on the tool; let the tool do the work for you

## APPLICATION ADVICE

- Use the appropriate bits
- When turning in a screw at/near the cross cut end or an edge of wood, pre-drill a hole in order to avoid cracking of the wood
- When screwdriving in hard wood one should pre-drill a hole
- When tightening a screw, do not over-tighten. As the force of the impact driver can break the fastener. Hold the tool aligned with the screw to prevent damage to the head of the fastener.
- The torque depends on the impact duration. Maximum torque is achieved after an impact duration of 6-10 seconds.
  - ! **always check tightening torque with a torque driver**
- For an optimal use of the tool a steady pressure on the screw is required, especially while removing a fastener.
- For more information see [www.skil.com](http://www.skil.com)

## MAINTENANCE / SERVICE

- Always keep tool clean (especially ventilation slots D ②)
  - ! **remove battery from tool before cleaning**
- If the tool should fail despite the care taken in manufacturing and testing procedures, repair should be carried out by an after-sales service centre for SKIL power tools
  - send the tool **undismantled** together with proof of purchase to your dealer or the nearest SKIL service station (addresses as well as the service diagram of the tool are listed on [www.skil.com](http://www.skil.com))
- Be aware that damage due to overload or improper handling of the tool will be excluded from the warranty (for the SKIL warranty conditions see [www.skil.com](http://www.skil.com) or ask your dealer)

## ENVIRONMENT

Only for EU countries

- **Do not dispose of electric machines, accessories and packaging together with household waste material**

- in observance of European Directive 2012/19/EC on waste of electric and electronic equipment and its implementation in accordance with national law, electric machines that have reached the end of their life must be collected separately and returned to an environmentally compatible recycling facility
- symbol ⑥ will remind you of this when the need for disposing occurs

! **prior to disposal protect battery terminals with heavy tape to prevent short-circuit**

Only for UK

- **Do not dispose of electric machines, accessories and packaging together with household waste material**
    - in observance of Waste Electric and Electronic Equipment Regulations 2013 (SI 2013/3113), electric machines that have reached the end of their life must be collected separately and returned to an environmentally compatible recycling facility
    - symbol ⑥ will remind you of this when the need for disposing occurs
- ! **prior to disposal protect battery terminals with heavy tape to prevent short-circuit**

## NOISE / VIBRATION

- Measured in accordance with EN 62841 the sound pressure level of this tool is 78 dB(A) and the sound power level 86 dB(A) (uncertainty K = 3 dB), and the vibration <2,5 m/s<sup>2</sup> (triax vector sum; uncertainty K = 1,5 m/s<sup>2</sup>)
  - The vibration emission level has been measured in accordance with a standardised test given in EN 62841; it may be used to compare one tool with another and as a preliminary assessment of exposure to vibration when using the tool for the applications mentioned
    - using the tool for different applications, or with different or poorly maintained accessories, may significantly **increase** the exposure level
    - the times when the tool is switched off or when it is running but not actually doing the job, may significantly **reduce** the exposure level
- ! **protect yourself against the effects of vibration by maintaining the tool and its accessories, keeping your hands warm, and organizing your work patterns**

F

## Visseuse à percussion sans fil et sans brosse 3211

### INTRODUCTION

- Cet outil est conçu pour serrer et desserrer des vis et des boulons
  - Vérifiez que toutes les pièces montrées sur le schéma ② sont contenues dans l'emballage.
  - Lorsque des pièces manquent ou sont endommagées, contactez votre revendeur
- Lire et conserver ce mode d'emploi ③
  - **Prêtez particulièrement attention aux consignes et avertissements de sécurité ; sinon, vous risquez des blessures graves**

## CARACTERISTIQUES TECHNIQUES ①

Couple max. vissage dur suivant ISO 5393 : 250Nm

## ELEMENTS DE L'OUTIL ②

- A Interrupteur de marche/arrêt et réglage de vitesse
- B Commutateur pour inverser le sens de rotation
- C Douille de verrouillage
- D Fentes de ventilation
- E Bouton de la vitesse
- F Lampe LED
- G Indicateur de niveau de charge de la batterie
- H H Embout de tournevis 50 mm

## SECURITE

### AVERTISSEMENTS DE SECURITE GENERAUX POUR L'OUTIL ELECTRIQUE

**AVERTISSEMENT** Lisez tous les avertissements de sécurité, toutes les instructions, illustrations et caractéristiques fournies avec cet outil électrique.

Le non-respect du suivi de toutes les instructions reprises ci-dessous peut provoquer un électrochoc, un incendie et/ou des blessures graves.

**Conservez tous les avertissements et toutes les instructions pour pouvoir s'y reporter ultérieurement.**

Le terme "outil électrique" dans les avertissements se rapporte à des outils électriques raccordés au secteur (avec câble de raccordement) et à des outils électriques à batterie (sans câble de raccordement).

### 1) SECURITE DE LA ZONE DE TRAVAIL

- a) **Maintenez l'endroit de travail propre et bien éclairé.** Un lieu de travail en désordre ou mal éclairé augmente le risque d'accidents.
- b) **N'utilisez pas l'outil électrique dans un environnement présentant des risques d'explosion et où se trouvent des liquides, des gaz ou poussières inflammables.** Les outils électriques génèrent des étincelles risquant d'enflammer les poussières ou les vapeurs.
- c) **Tenez les enfants et autres personnes éloignés durant l'utilisation de l'outil électrique.** En cas d'inattention vous risquez de perdre le contrôle sur l'outil électrique.

### 2) SECURITE RELATIVE AU SYSTEME ELECTRIQUE

- a) **La fiche de secteur de l'outil électrique doit être appropriée à la prise de courant. Ne modifiez en aucun cas la fiche. N'utilisez pas de fiches d'adaptateur avec des outils électriques avec mise à la terre.** Les fiches non modifiées et les prises de courant appropriées réduisent le risque de choc électrique.
- b) **Évitez le contact physique avec des surfaces mises à la terre telles que tuyaux, radiateurs, fours et réfrigérateurs.** Il y a un risque élevé de choc électrique au cas où votre corps serait relié à la terre.
- c) **N'exposez pas l'outil électrique à la pluie ou à l'humidité.** La pénétration d'eau dans un outil électrique augmente le risque d'un choc électrique.

- d) **N'utilisez pas le câble à d'autres fins que celles prévues, n'utilisez pas le câble pour porter l'outil électrique ou pour l'accrocher ou encore pour le débrancher de la prise de courant. Maintenez le câble éloigné des sources de chaleur, des parties grasses, des bords tranchants ou des parties de l'outil électrique en rotation.** Un câble endommagé ou torsadé augmente le risque d'un choc électrique.
  - e) **Au cas où vous utiliseriez l'outil électrique à l'extérieur, utilisez une rallonge autorisée homologuée pour les applications extérieures.** L'utilisation d'une rallonge électrique homologuée pour les applications extérieures réduit le risque d'un choc électrique.
  - f) **Si l'usage d'un outil dans un emplacement humide est inévitable, utilisez un disjoncteur de fuite à la terre.** L'utilisation d'un disjoncteur de fuite à la terre réduit le risque de choc électrique.
- 3) SECURITE DES PERSONNES**
- a) **Restez vigilant, surveillez ce que vous faites. Faites preuve de bon sens en utilisant l'outil électrique. N'utilisez pas l'outil électrique lorsque vous êtes fatigué ou après avoir consommé de l'alcool, des drogues ou avoir pris des médicaments.** Un moment d'inattention lors de l'utilisation de l'outil électrique peut entraîner de graves blessures sur les personnes.
  - b) **Portez des équipements de protection. Portez toujours des lunettes de protection.** Le fait de porter des équipements de protection personnels tels que masque anti-poussières, chaussures de sécurité antidérapantes, casque de protection ou protection acoustique suivant le travail à effectuer, réduit le risque de blessures.
  - c) **Évitez tout démarrage intempestif. S'assurez que l'interrupteur est en position arrêt avant de brancher l'outil au secteur et/ou au bloc de batteries, de le ramasser ou de le porter.** Porter les outils en ayant le doigt sur l'interrupteur ou brancher des outils dont l'interrupteur est en position marche est source d'accidents.
  - d) **Enlevez tout outil de réglage ou toute clé avant de mettre l'outil électrique en fonctionnement.** Une clé ou un outil se trouvant sur une partie en rotation peut causer des blessures.
  - e) **Ne surestimez pas vos capacités. Veillez à garder toujours une position stable et équilibrée.** Ceci vous permet de mieux contrôler l'outil électrique dans des situations inattendues.
  - f) **Portez des vêtements appropriés. Ne portez pas de vêtements amples ni de bijoux. Gardez les cheveux et les vêtements à distance des parties en mouvement.** Des vêtements amples, des bijoux ou des cheveux longs peuvent être happés par des pièces en mouvement.
  - g) **Si des dispositifs servant à aspirer ou à recueillir les poussières doivent être utilisés, vérifiez que ceux-ci soient effectivement raccordés et qu'ils sont correctement utilisés.** L'utilisation des collecteurs de poussière réduit les dangers dus aux poussières.
  - h) **Restez vigilant et ne pas négligez les principes de sécurité de l'outil sous prétexte que vous avez l'habitude de l'utiliser.** Une fraction de seconde d'inattention peut provoquer une blessure grave.

#### **4) UTILISATION ET EMPLOI SOIGNEUX DE L'OUTIL ELECTRIQUE**

- a) **Ne surchargez pas l'outil électrique. Utilisez l'outil électrique approprié au travail à effectuer.** Avec l'outil électrique approprié, vous travaillerez mieux et avec plus de sécurité à la vitesse pour laquelle il est prévu.
  - b) **N'utilisez pas un outil électrique dont l'interrupteur est défectueux.** Un outil électrique qui ne peut plus être mis en ou hors fonctionnement est dangereux et doit être réparé.
  - c) **Débranchez la fiche de la source d'alimentation et/ ou enlevez le bloc de batteries, s'il est amovible, avant tout réglage, changement d'accessoires ou avant de ranger l'outil électrique.** De telles mesures de sécurité préventives réduisent le risque de démarrage accidentel de l'outil électrique.
  - d) **Gardez les outils électriques non utilisés hors de portée des enfants. Ne permettez pas l'utilisation de l'outil électrique à des personnes qui ne se sont pas familiarisées avec celui-ci ou qui n'ont pas lu ces instructions.** Les outils électriques sont dangereux lorsqu'ils sont utilisés par des personnes non initiées.
  - e) **Observez la maintenance des outils électriques et des accessoires. Vérifiez que les parties en mouvement fonctionnent correctement et qu'elles ne soient pas coincées, et contrôlez si des parties sont cassées ou endommagées de telle sorte que le bon fonctionnement de l'outil électrique s'en trouve entravé. Faites réparer les parties endommagées avant d'utiliser l'outil électrique.** De nombreux accidents sont dus à des outils électriques mal entretenus.
  - f) **Maintenez les outils de coupe aiguisés et propres.** Des outils soigneusement entretenus avec des bords tranchants bien aiguisés se coincent moins souvent et peuvent être guidés plus facilement.
  - g) **Utilisez l'outil électrique, les accessoires, les outils à monter etc. conformément à ces instructions. Tenez compte également des conditions de travail et du travail à effectuer.** L'utilisation de l'outil électrique à d'autres fins que celles prévues peut entraîner des situations dangereuses.
  - h) **Il faut que les poignées et les surfaces de préhension restent sèches, propres et dépourvues d'huiles et de graisses.** Des poignées et des surfaces de préhension glissantes rendent impossibles la manipulation et le contrôle en toute sécurité de l'outil dans les situations inattendues.
- 5) UTILISATION ET EMPLOI SOIGNEUX DES APPAREILS SANS FIL**
- a) **Ne chargez les accumulateurs que dans des chargeurs recommandés par le fabricant.** Un chargeur approprié à un type spécifique d'accumulateur peut engendrer un risque d'incendie lorsqu'il est utilisé avec d'autres accumulateurs.
  - b) **Dans les outils électriques, n'utilisez que les accumulateurs spécialement prévus pour celui-ci.** L'utilisation de tout autre accumulateur peut entraîner des blessures et des risques d'incendie.
  - c) **Tenez l'accumulateur non-utilisé à l'écart de toutes sortes d'objets métalliques tels qu'agrafes, pièces de monnaie, clés, clous, vis ou autres, étant donné qu'un pontage peut provoquer un court-circuit.** Un

court-circuit entre les contacts d'accu peut provoquer des brûlures ou un incendie.

- d) **En cas d'utilisation abusive, du liquide peut sortir de l'accumulateur. Évitez tout contact avec ce liquide. En cas de contact par mégarde, rincez soigneusement avec de l'eau. Au cas où le liquide rentrerait dans les yeux, consultez en plus un médecin.** Le liquide qui sort de l'accumulateur peut entraîner des irritations de la peau ou causer des brûlures.
  - e) **Ne pas utiliser un bloc de batteries ou un outil fonctionnant sur batteries qui a été endommagé ou modifié.** Les batteries endommagées ou modifiées peuvent avoir un comportement imprévisible provoquant un feu, une explosion ou un risque de blessure.
  - f) **Ne pas exposer un bloc de batteries ou un outil fonctionnant sur batteries au feu ou à une température excessive.** Une exposition au feu ou à une température supérieure à 130°C peut provoquer une explosion.
  - g) **Suivre toutes les instructions de charge et ne pas charger le bloc de batteries ou l'outil fonctionnant sur batteries hors de la plage de températures spécifiée dans les instructions.** Un chargement incorrect ou à des températures hors de la plage spécifiée de températures peut endommager la batterie et augmenter le risque de feu.
- 6) SERVICE**
- a) **Ne faites réparer votre outil électrique que par un personnel qualifié et seulement avec des pièces de rechange d'origine.** Ceci permet d'assurer la sécurité de l'outil électrique.
  - b) **Ne jamais effectuer d'opération d'entretien sur des blocs de batteries endommagés.** Il convient que l'entretien des blocs de batteries ne soit effectué que par le fabricant ou les fournisseurs de service autorisés.

#### INSTRUCTIONS DE SÉCURITÉ POUR VISSEUSE À CHOCS SANS-FIL

- **Tenez l'outil par les surfaces de préhension isolées, lors de la réalisation d'une opération au cours de laquelle la vis peut entrer en contact avec un câblage non apparent** (le contact avec un fil sous tension peut également mettre sous tension les parties métalliques de l'outil électrique et provoquer un choc électrique sur l'opérateur)

#### GENERALITES

- La poussière de matériaux, tels que la peinture contenant du plomb, certaines espèces de bois, certains minéraux et différents métaux, peut être nocive (le contact avec la poussière ou son inhalation peut provoquer des réactions allergiques et/ou des maladies respiratoires chez l'opérateur ou des personnes se trouvant à proximité); **portez un masque antipoussières et travaillez avec un appareil de dé poussiérage lorsqu'il est possible d'en connecter un**
- Certains types de poussières sont classifiés comme étant cancérigènes (tels que la poussière de chêne ou de hêtre), en particulier en combinaison avec des additifs de traitement du bois; **portez un masque antipoussières et travaillez avec un appareil de dé poussiérage lorsqu'il est possible d'en connecter un**
- Suivez les directives nationales relatives au

dépoussiérage pour les matériaux à travailler

- **Ne travaillez pas de matériaux contenant de l'amiante** (l'amiante est considéré comme étant cancérigène)
- Vérifiez que le commutateur B ② est en position moyen (de blocage) avant d'effectuer des réglages sur l'outil ou de changer des accessoires, ainsi qu'en transportant ou rangant l'outil

#### ACCESSOIRES

- SKIL ne peut se porter garant du bon fonctionnement de cet outil que s'il a été utilisé avec les accessoires d'origine
- La vitesse admissible des accessoires utilisés doit être au moins aussi élevée que la vitesse à vide maximale de l'outil

#### AVANT L'USAGE

- Faites attention aux vis, clous ou autres éléments qui pourraient se trouver dans la pièce à travailler et qui risqueraient d'endommager très fortement votre outil; enlevez-les avant de commencer le travail
- **Fixez solidement la pièce à travailler** (une pièce fixée à l'aide de dispositifs de fixation est davantage assurée que si elle était tenue à la main)
- **Utilisez des détecteurs appropriés afin de localiser la présence de conduites électriques ou bien s'adresser à la société locale de distribution** (un contact avec des lignes électriques peut provoquer un incendie et une décharge électrique; le fait d'endommager une conduite de gaz peut entraîner une explosion; le fait d'endommager une conduite d'eau peut entraîner des dégâts matériels ou causer une décharge électrique)

#### BATTERIES

- **La batterie fournie, le cas échéant, est partiellement chargée** (pour garantir la capacité totale de la batterie, chargez intégralement la batterie dans le chargeur de batterie avant d'utiliser l'outil à moteur pour la première fois)
- **Utilisez uniquement les batteries et les chargeurs suivants avec l'outil**
  - Batterie SKIL : BR1\*31\*\*\*\*
  - Chargeur SKIL : CR1\*31\*\*\*\*
- Ne pas utiliser la batterie lorsque celle-ci est endommagée; remplacez-la au plus vite
- Ne démontez pas la batterie
- N'exposez jamais l'outil/la batterie à la pluie
- Plage de températures autorisées (outil/chargeur/ batterie):
  - pendant la charge 4...40°C
  - pendant le fonctionnement -20...+50°C
  - pour le stockage -20...+50°C

#### EXPLICATION DES SYMBOLES SUR L'OUTIL/LA

##### BATTERIE

- ③ Veuillez lire le mode d'emploi avant d'utiliser l'outil
- ④ La batterie explosera si elle est jetée au feu - ne la brûlez en aucun cas
- ⑤ Rangez l'outil/le chargeur/la batterie dans des endroits où la température n'excède pas 50°C
- ⑥ Ne jetez pas les outils électriques et les piles dans les ordures ménagères

#### UTILISATION

- Interrupteur conjugué marche/arrêt-contrôle de la vitesse A ⑦

- contrôle de la vitesse de zero au maximum en appuyant plus ou moins sur la gâchette A ⑧
- Chargement de la batterie
  - ! **lisez les avertissements de sécurité et les instructions fournis avec le chargeur**
- Retirer/installer la batterie ②
- Indicateur de niveau de charge de la batterie ⑨
  - appuyez sur le bouton indicateur de niveau de charge de la batterie G pour afficher le niveau de charge actuel de la batterie ⑨a
  - ! **si le niveau le plus bas de l'indicateur de la batterie commence à clignoter après avoir appuyé sur le bouton G ⑨b, la batterie est déchargée**
  - ! **si 2 les niveaux de l'indicateur de la batterie commencent à clignoter après avoir appuyé sur le bouton G ⑨c, la batterie n'est pas située dans la plage de températures de fonctionnement autorisée**
- Protection de la batterie
 

L'outil est soudainement mis hors tension ou la mise sous tension est empêchée lorsque

  - **la charge est trop élevée** --> retirez la charge et recommencez
  - **la température n'est pas située dans la plage de températures de fonctionnement autorisée de -20 à +50°C** --> 2 les niveaux de l'indicateur de niveau de charge de la batterie commencent à clignoter lorsque vous appuyez sur le bouton G ⑨c; attendez que la batterie soit revenue dans la plage de températures de fonctionnement autorisée
  - **la batterie est presque déchargée (pour empêcher qu'elle ne se décharge complètement)** --> un niveau de batterie faible ou un niveau de batterie clignotant ⑨b apparaît sur l'indicateur de charge de la batterie lorsque vous appuyez sur le bouton G; chargez la batterie
  - ! **ne continuez pas à appuyer sur la commande marche/arrêt après l'arrêt automatique de l'outil; cela pourrait endommager la batterie**
- Lampe LED ⑩
 

La lampe LED s'allume automatiquement lorsque vous activez l'interrupteur marche/arrêt

  - ! **lorsque la lampe LED commence à clignoter, la protection de la batterie est activée (voir ci-dessus)**
- Installation et retrait des embouts
  - pour installer un embout, tirez le manchon de verrouillage C vers l'avant, insérez l'embout dans le porte-embout et relâchez le manchon de verrouillage C pour bloquer l'embout. (⑩a ⑩b ⑩c)
  - ! **tirez sur l'embout pour vérifier qu'il est bien bloqué (⑩d)**
  - pour retirer un embout, tirez le manchon de verrouillage C vers l'avant
  - ! **utilisez uniquement des embouts avec cran d'arrêt, d'autres embouts peuvent être utilisés avec un porte-embout universel muni d'un cran d'arrêt**
  - ! **n'utilisez pas des embouts avec une tige endommagée**
- Inversion du sens de rotation ⑪
  - quand l'outil n'est pas réglé exactement sur la position gauche/droite, l'interrupteur A ② ne peut être mis en

marche

**! inversez uniquement le sens de rotation lorsque l'outil est à l'arrêt complet**

- Sélection du mode ⑬
  - appuyez sur le bouton de la vitesse E pour sélectionner le mode de serrage ou de desserrage souhaité lorsque l'outil est réglé sur la rotation avant ou arrière :

**Mode vitesse faible (L) ⑬a**

- serrage ou desserrage avec moins de puissance et à faible vitesse

- pour les vis plus petites

**Mode vitesse élevée (L) ⑬b**

- serrage ou desserrage avec une forte puissance et à vitesse élevée

- pour les vis et écrous larges

**les modes ne peuvent être changés qu'après avoir légèrement appuyé sur l'interrupteur marche/arrêt (le ou les LED vertes sont allumées) et lorsque l'outil est à l'arrêt complet**

- Tenue et guidage de l'outil ⑭
  - ! **lorsque vous travaillez, tenez toujours l'outil par la(les) zone(s) de couleur grise**
  - veillez à ce que les fentes de ventilation D ② soient découvertes
  - ne pas appuyez trop fortement sur l'outil; laissez l'outil travailler pour vous

## CONSEILS D'UTILISATION


- Utilisez les embouts appropriés
- Quand vous devez visser une vis près d'une arête de bois ou à la fin d'une coupe transversale, il est préférable de faire un avant-trou afin d'éviter de faire craquer le bois
- Pour un usage optimal de l'outil une pression constante sur la vise est nécessaire, spécialement durant dévisser
- Quand vous devez visser une vis au bois dur, il est préférable de faire un avant-trou
- Le couple dépend de la durée de la percussion. Le couple maximal est atteint après une durée d'impact de 6 à 10 secondes.
- ! **Vérifiez toujours le couple de serrage avec une clé angulaire**
- Pour un usage optimal de l'outil, il est nécessaire d'exercer une pression constante sur le boulon, en particulier lors du retrait de la fixation.
- Pour plus d'informations, rendez-vous sur [www.skil.com](http://www.skil.com)

## ENTRETIEN / SERVICE APRES-VENTE

- Maintenez toujours l'outil propre (surtout les fentes de ventilation) D ②
  - ! **retirez la batterie de l'outil avant de procéder au nettoyage**
- Si, malgré tous les soins apportés à la fabrication et au contrôle de l'outil, celui-ci devait avoir un défaut, la réparation ne doit être confiée qu'à une station de service après-vente agréée pour outillage SKIL
  - retournez l'outil **non démonté** avec votre preuve d'achat au revendeur ou au centre de service après-vente SKIL le plus proche (les adresses ainsi que la vue éclatée de l'outil figurent sur [www.skil.com](http://www.skil.com))
- Veuillez noter que tout dégât causé par une surcharge ou une mauvaise utilisation de l'outil ne sera pas couvert par la garantie (pour connaître les conditions de la garantie

SKIL, surfiez sur [www.skil.com](http://www.skil.com) ou adressez-vous à votre revendeur)

## ENVIRONNEMENT

- **Ne jetez pas les outils électriques, les piles, les accessoires et l'emballage dans les ordures ménagères** (pour les pays européens uniquement)
    - conformément à la directive européenne 2012/19/EG relative aux déchets d'équipements électriques ou électroniques, et à sa transposition dans la législation nationale, les outils électriques usés doivent être collectés séparément et faire l'objet d'un recyclage respectueux de l'environnement
    - le symbole  vous le rappellera au moment de la mise au rebut de l'outil
- ! avant d'envoyer les batteries au recyclage, pour éviter un éventuel court-circuit, il convient de revêtir les bornes d'un épais ruban adhésif isolant**



Points de collecte sur [www.quefairedemesdechets.fr](http://www.quefairedemesdechets.fr)  
Privilégiez la réparation ou le don de votre appareil !

## BRUIT / VIBRATION

- Mesurés selon EN 62841, le niveau de pression sonore de cet outil est de 78 dB(A), le niveau de puissance acoustique est de 86 dB(A) (incertitude K = 3 dB), et la vibration <math><2,5 \text{ m/s}^2</math> (somme vectorielle triax ; incertitude K = 1,5 m/s<sup>2</sup>)
  - Le niveau de vibrations émises a été mesuré conformément à l'essai normalisé de la norme EN 62841; il peut être utilisé pour comparer plusieurs outils et pour réaliser une évaluation préliminaire de l'exposition aux vibrations lors de l'utilisation de l'outil pour les applications mentionnées
    - l'utilisation de l'outil dans d'autres applications, ou avec des accessoires différents ou mal entretenus, peut considérablement **augmenter** le niveau d'exposition
    - la mise hors tension de l'outil et sa non-utilisation pendant qu'il est allumé peuvent considérablement **réduire** le niveau d'exposition
- ! protégez-vous contre les effets des vibrations par un entretien correct de l'outil et de ses accessoires, en gardant vos mains chaudes et en structurant vos schémas de travail**


D

## Bürstenloser Akku-Drehschlagschrauber

3211

### EINLEITUNG

- Dieses Werkzeug ist zum Eintreiben und Lösen von Schrauben und Bolzen bestimmt
  - Überprüfen Sie, ob die Verpackung alle Teile enthält, siehe Abbildung 2
  - Wenn Teile fehlen oder beschädigt sind, wenden Sie sich an Ihren Händler

- Lesen und bewahren Sie diese Bedienungsanleitung sorgfältig auf 
  - **Achten Sie besonders auf die Sicherheits- und Warnhinweise. Es können schwere Verletzungen verursacht werden, wenn die Anweisungen missachtet werden**

### TECHNISCHE DATEN


Max. Drehmoment harter Schraubfall nach ISO 5393 : 250Nm

### WERKZEUGKOMPONENTEN

- A Schalter zum Ein-Aus-Schalten und zur Drehzahlregelung
- B Schalter zum Umschalten der Drehrichtung
- C Verriegelungshülse
- D Lüftungsschlitze
- E Drehzahlschalter
- F LED-Lampe
- G Akkuladeanzeige
- H H 50 mm Schraubendreher-Bit

## SICHERHEIT

### ALLGEMEINE SICHERHEITSHINWEISE FÜR ELEKTROWERKZEUGE

 **WARNUNG** Lesen Sie alle Sicherheitshinweise, Anweisungen, Abbildungen und technischen Daten dieses Elektrogeräts. Die Nichtbeachtung der nachfolgenden Anweisungen kann zu Stromschlägen, Bränden bzw. ernsthaften Verletzungen führen.

**Bewahren Sie alle Sicherheitshinweise und Anweisungen für die Zukunft auf.**

Der in den Sicherheitshinweisen verwendete Begriff "Elektrowerkzeug" bezieht sich auf netzbetriebene Elektrowerkzeuge (mit Netzkabel) und auf akkubetriebene Elektrowerkzeuge (ohne Netzkabel).

#### 1) ARBEITSPLATZSICHERHEIT

- a) **Halten Sie Ihren Arbeitsbereich sauber und gut beleuchtet.** Unordnung oder unbeleuchtete Arbeitsbereiche können zu Unfällen führen.
- b) **Arbeiten Sie mit dem Elektrowerkzeug nicht in explosionsgefährdeter Umgebung, in der sich brennbare Flüssigkeiten, Gase oder Stäube befinden.** Elektrowerkzeuge erzeugen Funken, die den Staub oder die Dämpfe entzünden können.
- c) **Halten Sie Kinder und andere Personen während der Benutzung des Elektrowerkzeuges fern.** Bei Ablenkung können Sie die Kontrolle über das Elektrowerkzeug verlieren.

#### 2) ELEKTRISCHE SICHERHEIT

- a) **Der Anschlussstecker des Elektrowerkzeuges muss in die Steckdose passen. Der Stecker darf in keiner Weise verändert werden. Verwenden Sie keine Adapterstecker gemeinsam mit geschützten Elektrowerkzeugen.** Unveränderte Stecker und passende Steckdosen verringern das Risiko eines elektrischen Schlag.

- b) **Vermeiden Sie Körperkontakt mit geerdeten Oberflächen, wie von Rohren, Heizungen, Herden und Kühlschränken.** Es besteht ein erhöhtes Risiko durch elektrischen Schlag, wenn Ihr Körper geerdet ist.
  - c) **Halten Sie das Elektrowerkzeug von Regen oder Nässe fern.** Das Eindringen von Wasser in ein Elektrogerät erhöht das Risiko eines elektrischen Schlages.
  - d) **Zweckentfremden Sie das Kabel nicht, um das Elektrowerkzeug zu tragen, aufzuhängen oder um den Stecker aus der Steckdose zu ziehen. Halten Sie das Kabel fern von Hitze, Öl, scharfen Kanten oder sich bewegenden Elektrowerkzeugeteilen.** Beschädigte oder verwickelte Kabel erhöhen das Risiko eines elektrischen Schlages.
  - e) **Wenn Sie mit einem Elektrowerkzeug im Freien arbeiten, verwenden Sie nur Verlängerungskabel, die auch für den Außenbereich zugelassen sind.** Die Anwendung eines für den Außenbereich geeigneten Verlängerungskabels verringert das Risiko eines elektrischen Schlages.
  - f) **Wenn der Betrieb des Elektrowerkzeuges in feuchter Umgebung nicht vermeidbar ist, verwenden Sie einen Fehlerstromschutzschalter.** Der Einsatz eines Fehlerstromschutzschalters vermindert das Risiko eines elektrischen Schlages.
- 3) SICHERHEIT VON PERSONEN**
- a) **Seien Sie aufmerksam, achten Sie darauf, was Sie tun, und gehen Sie mit Vernunft an die Arbeit mit einem Elektrowerkzeug. Benutzen Sie das Elektrowerkzeug nicht, wenn Sie müde sind oder unter dem Einfluss von Drogen, Alkohol oder Medikamenten stehen.** Ein Moment der Unachtsamkeit beim Gebrauch des Elektrowerkzeuges kann zu ernsthaften Verletzungen führen.
  - b) **Tragen Sie persönliche Schutzausrüstung und immer eine Schutzbrille.** Das Tragen persönlicher Schutzausrüstung, wie Staubmaske, rutschfeste Sicherheitsschuhe, Schutzhelm oder Gehörschutz, je nach Art und Einsatz des Elektrowerkzeuges, verringert das Risiko von Verletzungen.
  - c) **Vermeiden Sie eine unbeabsichtigte Inbetriebnahme. Vergewissern Sie sich, dass das Elektrowerkzeug ausgeschaltet ist, bevor Sie es an die Stromversorgung und/oder den Akku anschließen, es aufnehmen oder tragen.** Wenn Sie beim Tragen des Elektrowerkzeuges den Finger am Schalter haben oder das Elektrowerkzeug eingeschaltet an die Stromversorgung anschließen, kann dies zu Unfällen führen.
  - d) **Entfernen Sie Einstellwerkzeuge oder Schraubenschlüssel, bevor Sie das Elektrowerkzeug einschalten.** Ein Werkzeug oder Schlüssel, der sich in einem drehenden Elektrowerkzeugeteil befindet, kann zu Verletzungen führen.
  - e) **Überschätzen Sie sich nicht. Sorgen Sie für einen sicheren Stand und halten Sie jederzeit das Gleichgewicht.** Dadurch können Sie das Elektrowerkzeug in unerwarteten Situationen besser kontrollieren.
  - f) **Tragen Sie geeignete Kleidung. Tragen Sie keine weite Kleidung oder Schmuck. Halten Sie Haare und Kleidung fern von sich bewegenden Teilen.** Lockere

- Kleidung, Schmuck oder lange Haare können von sich bewegenden Teilen erfasst werden.
- g) **Wenn Staubabsaug- und -auffangeinrichtungen montiert werden können, vergewissern Sie sich, dass diese angeschlossen sind und richtig verwendet werden.** Verwendung einer Staubabsaugung verringert Gefährdungen durch Staub.
  - h) **Wiegen Sie sich nicht in falscher Sicherheit und setzen Sie sich nicht über die Sicherheitsregeln für Elektrowerkzeuge hinweg, auch wenn Sie nach vielfachem Gebrauch mit dem Elektrowerkzeug vertraut sind.** Achtloses Handeln kann binnen Sekundenbruchteilen zu schweren Verletzungen führen.
- 4) SORGFÄLTIGER UMGANG UND GEBRAUCH VON ELEKTROWERKZEUGEN**
- a) **Überlasten Sie das Elektrowerkzeug nicht. Verwenden Sie für Ihre Arbeit das dafür bestimmte Elektrowerkzeug.** Mit dem passenden Elektrowerkzeug arbeiten Sie besser und sicherer im angegebenen Leistungsbereich.
  - b) **Benutzen Sie kein Elektrowerkzeug, dessen Schalter defekt ist.** Ein Elektrowerkzeug, das sich nicht mehr ein- oder ausschalten lässt, ist gefährlich und muss repariert werden.
  - c) **Ziehen Sie den Stecker aus der Steckdose und/oder entfernen Sie einen abnehmbaren Akku, bevor Sie Geräteeinstellungen vornehmen, Zubehörteile wechseln oder das Elektrowerkzeug weglegen.** Diese Vorsichtsmaßnahme verhindert den unbeabsichtigten Start des Elektrowerkzeuges.
  - d) **Bewahren Sie unbenutzte Elektrowerkzeuge außerhalb der Reichweite von Kindern auf. Lassen Sie Personen das Elektrowerkzeug nicht benutzen, die mit diesem nicht vertraut sind oder diese Anweisungen nicht gelesen haben.** Elektrowerkzeuge sind gefährlich, wenn Sie von unerfahrenen Personen benutzt werden.
  - e) **Pflegen Sie Elektrowerkzeuge und Zubehör mit Sorgfalt. Kontrollieren Sie, ob bewegliche Elektrowerkzeugeteile einwandfrei funktionieren und nicht klemmen, ob Teile gebrochen oder so beschädigt sind, dass die Funktion des Elektrowerkzeuges beeinträchtigt ist. Lassen Sie beschädigte Teile vor dem Einsatz des Elektrowerkzeuges reparieren.** Viele Unfälle haben ihre Ursache in schlecht gewarteten Elektrowerkzeugen.
  - f) **Halten Sie Schneidwerkzeuge scharf und sauber.** Sorgfältig gepflegte Schneidwerkzeuge mit scharfen Schneidkanten verklemmen sich weniger und sind leichter zu führen.
  - g) **Verwenden Sie Elektrowerkzeug, Zubehör, Einsatzwerkzeuge usw. entsprechend diesen Anweisungen. Berücksichtigen Sie dabei die Arbeitsbedingungen und die auszuführende Tätigkeit.** Der Gebrauch von Elektrowerkzeugen für andere als die vorgesehenen Anwendungen kann zu gefährlichen Situationen führen.
  - h) **Halten Sie Griffe und Griffflächen trocken, sauber und frei von Öl und Fett.** Rutschige Griffe und Griffflächen erlauben keine sichere Bedienung und Kontrolle des Elektrowerkzeuges in unvorhergesehenen Situationen.
- 5) SORGFÄLTIGER UMGANG UND GEBRAUCH VON**



## AKKUGERÄTEN

- a) **Laden Sie die Akkus nur in Ladegeräten auf, die vom Hersteller empfohlen werden.** Für ein Ladegerät, das für eine bestimmte Art von Akku geeignet ist, besteht Brandgefahr, wenn es mit anderen Akkus verwendet wird.
  - b) **Verwenden Sie nur die dafür vorgesehenen Akkus in den Elektrowerkzeugen.** Der Gebrauch von anderen Akkus kann zu Verletzungen und Brandgefahr führen.
  - c) **Halten Sie den nicht benutzten Akku fern von Büroklammern, Münzen, Schlüsseln, Nägeln, Schrauben oder anderen kleinen Metallgegenständen, die eine Überbrückung der Kontakte verursachen könnten.** Ein Kurzschluss zwischen den Akkukontakten kann Verbrennungen oder Feuer zur Folge haben.
  - d) **Bei falscher Anwendung kann Flüssigkeit aus dem Akku austreten. Vermeiden Sie den Kontakt damit. Bei zufälligem Kontakt mit Wasser abspülen. Wenn die Flüssigkeit in die Augen kommt, nehmen Sie zusätzlich ärztliche Hilfe in Anspruch.** Austretende Akkuflüssigkeit kann zu Hautreizungen oder Verbrennungen führen.
  - e) **Benutzen Sie keinen beschädigten oder veränderten Akku.** Beschädigte oder veränderte Akkus können sich unvorhersehbar verhalten und zu Feuer, Explosion oder Verletzungsgefahr führen.
  - f) **Setzen Sie einen Akku keinem Feuer oder zu hohen Temperaturen aus.** Feuer oder Temperaturen über 130°C können eine Explosion hervorrufen.
  - g) **Befolgen Sie alle Anweisungen zum Laden und laden Sie den Akku oder das Akkuwerkzeug niemals außerhalb des in der Betriebsanleitung angegebenen Temperaturbereichs.** Falsches Laden oder Laden außerhalb des zugelassenen Temperaturbereichs kann den Akku zerstören und die Brandgefahr erhöhen.
- ## 6) SERVICE
- a) **Lassen Sie Ihr Elektrowerkzeug nur von qualifiziertem Fachpersonal und nur mit Original-Ersatzteilen reparieren.** Damit wird sichergestellt, dass die Sicherheit des Elektrowerkzeuges erhalten bleibt.
  - b) **Warten Sie niemals beschädigte Akkus.** Sämtliche Wartung von Akkus sollte nur durch den Hersteller oder bevollmächtigte Kundendienststellen erfolgen.

## SICHERHEITSANWEISUNGEN FÜR AKKU-DREHSCHLAGSCHRAUBER

- **Halten Sie das Elektrowerkzeug an den isolierten Griffflächen, wenn Sie Arbeiten ausführen, bei denen die Schraube verborgene Stromleitungen treffen kann** (der Kontakt mit einer spannungsführenden Leitung kann auch Metallteile des Elektrowerkzeuges unter Spannung setzen und zu einem elektrischen Schlag führen)

## ALLGEMEINES

- Staub von Materialien wie Farbe, die Blei enthält, einigen Holzarten, Mineralien und Metall kann schädlich sein (Kontakt mit oder Einatmen des Staubs kann zu allergischen Reaktionen und/oder Atemwegkrankheiten beim Bediener oder Umstehenden führen); **tragen Sie eine Staubmaske und arbeiten Sie mit einem Staubabsaugungssystem, wenn ein solches**

## angeschlossen werden kann

- Bestimmte Arten von Staub sind als karzinogen klassifiziert (beispielsweise Eichen- und Buchenholzstaub), insbesondere in Verbindung mit Zusätzen für die Holzvorbehandlung; **tragen Sie eine Staubmaske und arbeiten Sie mit einem Staubabsaugungssystem, wenn ein solches angeschlossen werden kann**
- Beachten Sie die für Ihr verwendetes Verbrauchsmaterial gültigen nationalen Staubschutzvorgaben
- **Bearbeiten Sie kein asbesthaltiges Material** (Asbest gilt als krebserregend)
- Stellen Sie sicher dass Schalter B ② sich in der mittel- (Schluss-) Position befindet, bevor Sie Werkzeug-einstellungen vornehmen oder Zubehör wechseln, sowie beim Tragen oder Weglegen des Werkzeuges

## ZUBEHÖR

- SKIL kann nur dann die einwandfreie Funktion des Werkzeuges zusichern, wenn Original-Zubehör verwendet wird
- Nur Zubehör verwenden, dessen zulässige Drehzahl mindestens so hoch ist wie die höchste Leerlaufdrehzahl des Werkzeuges

## VOR DER ANWENDUNG

- Beschädigungen durch Schrauben, Nägel und ähnliches an Ihrem Werkstück melden; diese vor Arbeitsbeginn entfernen
- **Sichern Sie das Werkstück** (ein mit Spannvorrichtungen oder Schraubstock festgehaltenes Werkstück ist sicherer gehalten als mit der Hand)
- **Verwenden Sie geeignete Suchgeräte, um verborgene Versorgungsleitungen aufzuspüren, oder ziehen Sie die örtliche Versorgungsgesellschaft hinzu** (Kontakt mit Elektroleitungen kann zu Feuer und elektrischem Schlag führen; Beschädigung einer Gasleitung kann zur Explosion führen; Eindringen in eine Wasserleitung verursacht Sachbeschädigung oder kann einen elektrischen Schlag verursachen)

## BATTERIEN

- **Der mitgelieferte Akku, falls vorhanden, ist nur teilgeladen.** (um die volle Kapazität des Akkus nutzen zu können, laden Sie den Akku im Ladegerät vollständig auf, bevor Sie das Elektrowerkzeug zum ersten Mal verwenden)
- **Nur die mit diesem Werkzeug mitgelieferten Batterien und Ladegeräte verwenden**
  - SKIL-Batterie: BR1\*31\*\*\*\*
  - SKIL-Ladegerät: CR1\*31\*\*\*\*
- Beschädigte Batterien nicht weiter verwenden, sondern sofort ersetzen
- Die Batterie nicht auseinandernehmen
- Das Werkzeug/die Batterie niemals Regen aussetzen
- Erlaubte Umgebungstemperatur (Werkzeug/Ladegerät/Batterie):
  - beim Laden 4...40°C
  - beim Betrieb -20...+50°C
  - bei Lagerung -20...+50°

## ERKLÄRUNG DER SYMBOLE AUF DEM WERKZEUG/ AKKU

- ③ Die Bedienungsanleitung vor dem Gebrauch lesen
- ④ Batterien werden bei Kontakt mit Feuer explodieren, die Batterien daher niemals verbrennen
- ⑤ Bewahren Sie das Werkzeug/Ladegerät/Batterie stets bei Raumtemperaturen unter 50°C auf
- ⑥ Elektrowerkzeuge und Batterien nicht in den Hausmüll

werfen

## BEDIENUNG

- Kombinationsschalter für Ein/Aus und Drehzahlregelung A ⑦
  - durch mehr oder weniger Druck auf den Schalter A ⑧ kann die Geschwindigkeit stufenlos von Null bis zur maximalen Drehzahl geregelt werden
- Aufladen des Akkus
  - ! **Lesen Sie die mit dem Ladegerät gelieferten Sicherheitshinweise**
- Entfernen/Einlegen von Batterien ②
- Akkuladeanzeige ⑨
  - Drücken Sie die auf die Akkustandsanzeige G, um den aktuellen Akkustand anzuzeigen ⑨c
  - ! **Wenn der niedrigste Wert der Akkustandsanzeige nach dem Drücken der Taste G ⑨b blinkt, ist der Akku leer**
  - ! **Wenn die Werte 2 der Akkustandsanzeige nach dem Drücken der Taste G ⑨c blinken, befindet sich der Akku nicht im zulässigen Betriebstemperaturbereich**
- Batterieschutz

Das Gerät wird plötzlich ausgeschaltet oder kann nicht mehr eingeschaltet werden, wenn

  - **die Last zu hoch ist** --> Last entfernen und neu starten
  - **die Akkutemperatur nicht im zulässigen Betriebstemperaturbereich von -20 bis +50° C liegt** --> 2 Werte der Akkustandsanzeige blinken nach dem Drücken der Taste G ⑨c; warten, bis sich der Akku wieder innerhalb des zulässigen Betriebstemperaturbereichs befindet
  - **der Akku fast leer ist (zum Schutz vor Tiefentladung)** --> ein niedriger Akkustand oder ein blinkender Akkustand ⑨b wird von der Akkustandsanzeige angezeigt, wenn die Taste G gedrückt wird; Akku laden
  - ! **nach einer automatischen Ausschaltung des Werkzeugs nicht weiterhin auf den Ein-/Ausschalter drücken; der Akku kann beschädigt werden**
- LED-Lampe ⑩

Die LED-Lampe schaltet sich automatisch ein, wenn der Ein-/Ausschalter betätigt wird

  - ! **Wenn die LED-Lampe zu blinken beginnt, ist der Akkuschutz aktiviert (siehe oben)**
- Installation et retrait des embouts
  - pour installer un embout, tirez le manchon de verrouillage C vers l'avant, insérez l'embout dans le porte-embout et relâchez le manchon de verrouillage C pour bloquer l'embout. (⑩a ⑩b ⑩c)
  - ! **tirez sur l'embout pour vérifier qu'il est bien bloqué (⑩d)**
  - pour retirer un embout, tirez le manchon de verrouillage C vers l'avant
  - ! **utilisez uniquement des embouts avec cran d'arrêt, d'autres embouts peuvent être utilisés avec un porte-embout universel muni d'un cran d'arrêt**
  - ! **n'utilisez pas des embouts avec une tige endommagée**
- Umschalten der Drehrichtung ⑫

- wenn die links/rechts Position nicht richtig einrastet, kann der Schalter A ② nicht betätigt werden
- ! **Drehrichtung nur dann umschalten, wenn das Werkzeug vollkommen stillsteht**
- Modusauswahl ⑬
  - Drücken Sie den Drehzahlschalter E, um auf Löse- oder Festziehbetrieb umzuschalten, wenn das Werkzeug auf Rechts- bzw. Linkslauf eingestellt ist:  
**Niedrige Geschwindigkeit (L) ⑬a**
    - Anziehen oder Lösen mit geringer Kraft und niedriger Geschwindigkeit
    - Für kleinere Schrauben
  - Hochgeschwindigkeit (H) ⑬b**
    - Anzug oder Lösen mit hoher Kraft und Geschwindigkeit
    - Für große Schrauben und Bolzen
  - Regelmodus (Pfeil) ⑬c**
    - Langsamer Start, um die Schraube leichter ins Holz zu bringen
    - Automatische Erhöhung der Geschwindigkeit, wenn die Schraube stabil sitzt
    - Für lange Schrauben, vor allem für PHILLIPS/POZIDRIV-Schrauben
- ! **Der Regelmodus ist nur bei Vorwärtsdrehung verfügbar; in Rückwärtsrichtung wird der Modus für mittlere Geschwindigkeit gewählt**
- ! **Moduseinstellungen können nur durch leichtes Drücken des Ein-/Ausschalters geändert werden (grüne LED leuchten) und wenn das Gerät komplett stillsteht**
- Halten und Führen des Werkzeuges ⑭
  - ! **Werkzeug beim Arbeiten immer am grauen Griffbereich fassen**
  - Lüftungsschlitze D ② unbedeckt halten
  - nicht zuviel Druck auf das Werkzeug ausüben; lassen Sie das Werkzeug für Sie arbeiten

## ANWENDUNGSHINWEISE

- Die entsprechenden Bits verwenden
- Beim Eindrehen einer Schraube am Ende oder Kopfstück eines Holzes sollte ein Loch vorgebohrt werden um ein Spalten des Holzes zu vermeiden
- Beim Eindrehen einer Schraube in Hartholz sollte ein Loch vorgebohrt werden
- Ziehen Sie Schrauben nicht zu fest an. Denn die Kraft des Schlagschraubers kann das Befestigungselement brechen. Halten Sie das Werkzeug auf die Schraube ausgerichtet, um den Kopf der Schraube nicht zu beschädigen.
- Das Drehmoment hängt von der Schlagdauer ab. Das maximale Drehmoment wird nach einer Schlagdauer von 6 bis 10 Sekunden erreicht.
  - ! **Das Anzugsdrehmoment immer mit einem Drehmomentschlüssel prüfen**
- Für einen optimalen Gebrauch des Werkzeuges ist ein ständiger Druck auf die Schraube notwendig, besonders während des Entfernens einer Schraube oder Mutter.
- Weitere Informationen finden Sie unter [www.skil.com](http://www.skil.com)

## WARTUNG / SERVICE

- Halten Sie das Werkzeug immer sauber (insbesondere die Lüftungsschlitze D ②)
  - ! **Vor der Montage die Batterie aus dem Werkzeug entfernen**

- Sollte das Elektrowerkzeug trotz sorgfältiger Herstellungs- und Prüfverfahren einmal ausfallen, ist die Reparatur von einer autorisierten Kundendienststelle für SKIL-Elektrowerkzeuge ausführen zu lassen
  - das Werkzeug **unzerlegt**, zusammen mit dem Kaufbeleg, an den Lieferer oder die nächste SKIL-Vertragswerkstätte senden (die Adressen so wie die Ersatzteilzeichnung des Werkzeuges finden Sie unter [www.skil.com](http://www.skil.com))
- Beachten Sie, dass ein falscher oder unsachgemäßer Gebrauch des Werkzeugs zum Erlöschen der Garantie führt (die SKIL-Garantiebedingungen finden Sie unter [www.skil.com](http://www.skil.com) oder fragen Sie Ihren Händler)

## UMWELT

- **Elektrowerkzeuge, Batterien, Zubehör und Verpackungen nicht in den Hausmüll werfen** (nur für EU-Länder)
  - gemäss Europäischer Richtlinie 2012/19/EG über Elektro- und Elektronik- Altgeräte und Umsetzung in nationales Recht müssen nicht mehr gebrauchsfähige Elektrowerkzeuge getrennt gesammelt und einer umweltgerechten Wiederverwertung zugeführt werden
  - hieran soll Sie Symbol ⑥ erinnern
- ! **bevor Sie die Batterie entsorgen, schützen Sie die Batterieenden mit einem schweren Band, um so Kriechströme zu vermeiden**

## GERÄUSCH / VIBRATION

- Gemessen nach EN 62841 beträgt der Schalldruckpegel dieses Werkzeugs 78 dB(A) und der Schalleistungspegel 86 dB(A) (Unsicherheit K = 3 dB), und die Schwingung <2,5 (Triaxvektorsumme; Unsicherheit K = 1,5 m/s<sup>2</sup>)
- Die Vibrationsemissionsstufe wurde mit einem standardisierten Test gemäß EN 62841 gemessen; Sie kann verwendet werden, um ein Werkzeug mit einem anderen zu vergleichen und als vorläufige Beurteilung der Vibrationsexposition bei Verwendung des Werkzeugs für die angegebenen Anwendungszwecke
  - die Verwendung des Werkzeugs für andere Anwendungen oder mit anderem oder schlecht gewartetem Zubehör kann die Expositionsstufe erheblich **erhöhen**
  - Zeiten, zu denen das Werkzeug ausgeschaltet ist, oder wenn es läuft aber eigentlich nicht eingesetzt wird, können die Expositionsstufe erheblich **verringern**
- ! **schützen Sie sich vor den Auswirkungen der Vibration durch Wartung des Werkzeugs und des Zubehörs, halten Sie Ihre Hände warm und organisieren Sie Ihren Arbeitsablauf**

NL

## Opladbare slagschroevendraaier zonder borstel

3211

## INTRODUCTIE

- Deze machine is bedoeld voor het aandraaien en losdraaien van schroeven en bouten
  - Controleer of de verpakking alle afgebeelde onderdelen uit de tekening ② bevat

- Als onderdelen ontbreken of beschadigd zijn, neemt u contact op met de dealer
- Lees en bewaar deze gebruiksaanwijzing ③
  - **Let met name op de veiligheidsinstructies en de waarschuwingen; het niet in acht nemen hiervan kan ernstig letsel tot gevolg hebben**

## TECHNISCHE GEGEVENS ①

Max. draaimoment bij harde schroefverbinding volgens ISO 5393 : 250Nm

## MACHINE-ELEMENTEN ②

- A Schakelaar voor aan/uit en toerentalregeling
- B Knop voor omschakelen van draairichting
- C Vergrendelingshuls
- D Ventilatie-openingen
- E Snelheidsknop
- F Led-lamp
- G Batterijniveau-indicator
- H 50mm schroefbit

## VEILIGHEID

### ALGEMENE VEILIGHEIDSWAARSCHUWINGEN VOOR ELEKTRISCHE GEREEDSCHAPPEN

**⚠ WAARSCHUWING** Lees alle veiligheidswaarschuwingen, instructies, afbeeldingen en specificaties die met dit elektrische gereedschap zijn meegeleverd. Het niet volgen van alle hieronder genoemde instructies kan elektrische schokken, brand en/of ernstig letsel tot gevolg hebben.

### Bewaar alle waarschuwingen en voorschriften voor toekomstig gebruik.

Het in de waarschuwingen gebruikte begrip "elektrisch gereedschap" heeft betrekking op elektrische gereedschappen voor gebruik op het stroomnet (met netsnoer) en op elektrische gereedschappen voor gebruik met een accu (zonder netsnoer).

### 1) VEILIGHEID VAN DE WERKOMGEVING

- a) **Houd uw werkomgeving schoon en opgeruimd.** Een rommelige of onverlichte werkomgeving kan tot ongevallen leiden.
  - b) **Werk met het gereedschap niet in een omgeving met explosiegevaar waarin zich brandbare vloeistoffen, gassen of stof bevinden.** Elektrische gereedschappen veroorzaken vonken die het stof of de dampen tot ontsteking kunnen brengen.
  - c) **Houd kinderen en andere personen tijdens het gebruik van het elektrische gereedschap uit de buurt.** Wanneer u wordt afgeleid, kunt u de controle over het gereedschap verliezen.
- ### 2) ELEKTRISCHE VEILIGHEID
- a) **De aansluitstekker van het gereedschap moet in het stopcontact passen. De stekker mag in geen geval worden veranderd. Gebruik geen adapterstekkers in combinatie met geaarde gereedschappen.** Onveranderde stekkers en passende stopcontacten beperken het risico van een elektrische schok.

- b) **Voorkom aanraking van het lichaam met geaarde oppervlakken, bijvoorbeeld van buizen, verwarmingen, fornuizen en koelkasten.** Er bestaat een verhoogd risico door een elektrische schok wanneer uw lichaam geaard is.
  - c) **Houd het gereedschap uit de buurt van regen en vocht.** Het binnendringen van water in het elektrische gereedschap vergroot het risico van een elektrische schok.
  - d) **Gebruik de kabel niet voor een verkeerd doel, om het gereedschap te dragen of op te hangen of om de stekker uit het stopcontact te trekken. Houd de kabel uit de buurt van hitte, olie, scherpe randen en bewegende gereedschapsdelen.** Beschadigde of in de war geraakte kabels vergroten het risico van een elektrische schok.
  - e) **Wanneer u buitenshuis met elektrisch gereedschap werkt, dient u alleen verlengkabels te gebruiken die voor gebruik buitenshuis zijn goedgekeurd.** Het gebruik van een voor gebruik buitenshuis geschikte verlengkabel beperkt het risico van een elektrische schok.
  - f) **Als het gebruik van het elektrische gereedschap in een vochtige omgeving onvermijdelijk is, dient u een aardlekschakelaar te gebruiken.** Het gebruik van een aardlekschakelaar vermindert het risico van een elektrische schok.
- 3) PERSOONLIJKE VEILIGHEID**
- a) **Wees alert, let goed op wat u doet en ga met verstand te werk bij het gebruik van het elektrische gereedschap.** Gebruik het gereedschap niet wanneer u moe bent of onder invloed staat van drugs, alcohol of medicijnen. Een moment van onoplettendheid bij het gebruik van het gereedschap kan tot ernstige verwondingen leiden.
  - b) **Draag persoonlijke beschermende uitrusting en altijd een veiligheidsbril.** Het dragen van persoonlijke beschermende uitrusting zoals een stofmasker, slipvast werkschoenen, een veiligheidshelm of gehoorbescherming, afhankelijk van de aard en het gebruik van het elektrische gereedschap, vermindert het risico van verwondingen.
  - c) **Voorkom per ongeluk inschakelen. Controleer dat het elektrische gereedschap uitgeschakeld is voordat u de stekker in het stopcontact steekt of de accu aansluit en voordat u het gereedschap oppakt of draagt.** Wanneer u bij het dragen van het elektrische gereedschap uw vinger aan de schakelaar hebt of wanneer u het gereedschap ingeschakeld op de stroomvoorziening aansluit, kan dit tot ongevallen leiden.
  - d) **Verwijder instelgereedschappen of schroefsleutels voordat u het gereedschap inschakelt.** Een instelgereedschap of sleutel in een draaiend deel van het gereedschap kan tot verwondingen leiden.
  - e) **Probeer niet ver te reiken. Zorg ervoor dat u stevig staat en steeds in evenwicht blijft.** Daardoor kunt u het gereedschap in onverwachte situaties beter onder controle houden.
  - f) **Draag geschikte kleding. Draag geen loshangende kleding of sieraden. Houd haren en kleding uit de buurt van bewegende delen.** Loshangende kleding, sieraden en lange haren kunnen door bewegende delen worden meegenomen.
  - g) **Wanneer stofafzuigings- of stofopvangvoorzieningen kunnen worden gemonteerd, dient u zich ervan te verzekeren dat deze zijn aangesloten en juist worden gebruikt.** Het gebruik van een stofafzuiging beperkt het gevaar door stof.
  - h) **Ondanks het feit dat u eventueel heel goed vertrouwd bent met het gebruik van gereedschappen, moet u ervoor zorgen dat u niet nonchalant wordt en veiligheidsvoorschriften voor het gereedschap gaat negeren.** Een onoplettende handeling kan binnen een fractie van een seconde ernstig letsel veroorzaken.
- 4) GEBRUIK EN ONDERHOUD VAN ELEKTRISCHE GEREEDSCHAPPEN**
- a) **Overbelast het gereedschap niet. Gebruik voor uw werkzaamheden het daarvoor bestemde elektrische gereedschap.** Met het passende elektrische gereedschap werkt u beter en veiliger binnen het aangegeven capaciteitsbereik.
  - b) **Gebruik geen elektrisch gereedschap waarvan de schakelaar defect is.** Elektrisch gereedschap dat niet meer kan worden in- of uitgeschakeld, is gevaarlijk en moet worden gerepareerd.
  - c) **Trek de stekker uit het stopcontact en/of neem de accu (indien uitneembaar) uit het elektrische gereedschap voordat u het elektrische gereedschap instelt, accessoires wisselt of het elektrische gereedschap opbergt.** Deze voorzorgsmaatregel voorkomt onbedoeld starten van het elektrische gereedschap.
  - d) **Bewaar niet-gebruikte elektrische gereedschappen buiten bereik van kinderen. Laat het gereedschap niet gebruiken door personen die er niet mee vertrouwd zijn en deze aanwijzingen niet hebben gelezen.** Elektrische gereedschappen zijn gevaarlijk wanneer deze door onervaren personen worden gebruikt.
  - e) **Verzorg het gereedschap zorgvuldig. Controleer of bewegende delen van het gereedschap correct functioneren en niet vastklemmen en of onderdelen zodanig gebroken of beschadigd zijn dat de werking van het gereedschap nadelig wordt beïnvloed. Laat beschadigde delen repareren voordat u het gereedschap gebruikt.** Veel ongevallen hebben hun oorzaak in slecht onderhouden elektrische gereedschappen.
  - f) **Houd snijdende inzetgereedschappen scherp en schoon.** Zorgvuldig onderhouden snijdende inzetgereedschappen met scherpe snijkanten klemmen minder snel vast en zijn gemakkelijker te geleiden.
  - g) **Gebruik elektrische gereedschappen, toebehoren, inzetgereedschappen en dergelijke volgens deze aanwijzingen. Let daarbij op de arbeidsomstandigheden en de uit te voeren werkzaamheden.** Het gebruik van elektrische gereedschappen voor andere dan de voorziene toepassingen kan tot gevaarlijke situaties leiden.
  - h) **Houd handgrepen en greepvlakken droog, schoon en vrij van olie en vet.** Gladde handgrepen en greepvlakken verhinderen dat het gereedschap in onverwachte situaties veilig kan worden gehanteerd en bediend.
- 5) GEBRUIK EN ONDERHOUD VAN ACCUGEREEDSCHAPPEN**

- a) **Laad accu's alleen op in opladers die door de fabrikant worden geadviseerd.** Voor een oplader die voor een bepaald type accu geschikt is, bestaat brandgevaar wanneer deze met andere accu's wordt gebruikt.
- b) **Gebruik alleen de daarvoor bedoelde accu's in de elektrische gereedschappen.** Het gebruik van andere accu's kan tot verwondingen en brandgevaar leiden.
- c) **Voorkom aanraking van de niet-gebruikte accu met paperclips, munten, sleutels, spijkers, schroeven en andere kleine metalen voorwerpen die overbrugging van de contacten kunnen veroorzaken.** Kortsluiting tussen de accucontacten kan brandwonden of brand tot gevolg hebben.
- d) **Bij verkeerd gebruik kan vloeistof uit de accu lekken. Voorkom contact. Spoel bij onvoorzien contact met water af. Wanneer de vloeistof in de ogen komt, dient u bovendien een arts te raadplegen.** Gelekte accuvloeistof kan tot huidirritaties en verbrandingen leiden.
- e) **Gebruik accu of gereedschap niet, als deze beschadigd of veranderd zijn.** Beschadigde of veranderde accu's kunnen onvoorspelbaar gedrag vertonen, waardoor een brand, explosie of het gevaar van letsel kan ontstaan.
- f) **Stel accu of gereedschap niet bloot aan vuur of overmatige temperaturen.** Blootstelling aan vuur of temperaturen boven 130°C kan een explosie veroorzaken.
- g) **Volg alle aanwijzingen voor het laden en laad de accu of het gereedschap niet buiten het temperatuurbereik dat in de aanwijzingen is vermeld.** Verkeerd laden of laden bij temperaturen buiten het vastgelegde bereik kan de accu beschadigen en het risico van brand vergroten.
- 6) **SERVICE**
  - a) **Laat het gereedschap alleen repareren door gekwalificeerd en vakkundig personeel en alleen met originele vervangingsonderdelen.** Daarmee wordt gewaarborgd dat de veiligheid van het gereedschap in stand blijft.
  - b) **Voer nooit servicewerkzaamheden aan beschadigde accu's uit.** Service van accu's dient uitsluitend te worden uitgevoerd door de fabrikant of erkende servicewerkplaatsen.

#### VEILIGHEIDSVOORSCHRIFTEN VOOR ACCU-SLAGSCHROEVENDRAAIERS

- **Houd het elektrische gereedschap aan de geïsoleerde greepvlakken vast als u werkzaamheden uitvoert waarbij de schroef verborgen stroomleidingen kan raken** (contact met een onder spanning staande leiding kan ook metalen delen van het elektrische gereedschap onder spanning zetten en tot een elektrische schok leiden)

#### ALGEMEEN

- Stof van materiaal zoals loodhoudende verf, sommige houtsoorten, mineralen en metaal kunnen schadelijk zijn (contact met of inademing van de stof kan allergische reacties en/of ademhalingsziekten bij gebruiker of omstanders veroorzaken); **draag een stofmasker en werk met een stofopvang-voorziening als die kan**

#### worden aangesloten

- Bepaalde soorten stof zijn geclassificeerd als kankerverwekkend (zoals stof van eiken en beuken), met name in combinatie met toevoegingsmiddelen voor houtverzorging; **draag een stofmasker en werk met een stofopvang-voorziening als die kan worden aangesloten**
- Neem voor de door u te bewerken materialen de nationale voorschriften aangaande stofopvang in acht
- **Bewerk geen asbesthoudend materiaal** (asbest geldt als kankerverwekkend)
- Zorg ervoor, dat knop B ② in de midden- (blokkeer-) positie staat, vóórdat u de machine instelt of accessoires verwisselt, en ook wanneer u de machine draagt of opbergt

#### ACCESSOIRES

- SKIL kan alleen een correcte werking van de machine garanderen, indien originele accessoires worden gebruikt
- Gebruik alleen accessoires met een toegestaan toerental, dat minstens even hoog is als het hoogste onbelaste toerental van de machine

#### VÓÓR GEBUIK

- Voorkom schade, die kan ontstaan door schroeven, spijkers en andere voorwerpen in uw werkstuk; verwijder deze, voordat u aan een karwei begint
- **Zet het werkstuk vast** (een werkstuk, dat is vastgezet met klemmen of in een bankschroef, zit steviger vast dan wanneer het met de hand wordt vastgehouden)
- **Gebruik een geschikt detectieapparaat om verborgen stroom-, gas- of waterleidingen op te sporen of raadpleeg het plaatselijke energie- of waterleidingbedrijf** (contact met elektrische leidingen kan tot brand of een elektrische schok leiden; beschadiging van een gasleiding kan tot een explosie leiden; breuk van een waterleiding veroorzaakt materiële schade en kan tot een elektrische schok leiden)

#### BATTERIJEN

- **De meegeleverde accu, wanneer aanwezig, is deels opgeladen** (om een volledige capaciteit van de batterij te garanderen, moet u de batterij volledig opladen in de oplader voordat u uw elektrische gereedschap voor de eerste keer gebruikt)
- **Gebruik uitsluitend de volgende batterijen en opladers voor deze machine**
  - SKIL-batterij: BR1\*31\*\*\*\*
  - SKIL-oplader: CR1\*31\*\*\*\*
- Gebruik de batterij niet, wanneer deze beschadigd is; vervang deze onmiddellijk
- Haal de batterij niet uit elkaar
- Stel machine/batterij niet bloot aan regen
- Toegestane omgevingstemperatuur (machine/oplader/batterij):
  - bij het laden 4...40°C
  - bij het gebruik -20...+50°C
  - bij opslag -20...+50°C

#### UITLEG VAN SYMBOLEN OP MACHINE/BATTERIJ

- ③ Lees de gebruiksaanwijzing vóór gebruik
- ④ Batterijen exploderen als zij in vuur worden gegooid, dus verbrand de batterij in geen geval
- ⑤ Bewaar de machine/oplader/batterij op een plaats, waar de temperatuur niet hoger dan 50°C kan worden
- ⑥ Geef elektrisch gereedschap en batterijen niet met het huisvuil mee

#### GEBUIK

- Gecombineerde schakelaar voor aan/uit en toerentalregeling A ⑦
  - regel het toerental traploos van 0 tot maximum door de schakelaar A ⑧ dieper in te drukken
- Opladen batterij
  - ! lees de veiligheids waarschuwingen en -voorschriften die bij de oplader worden geleverd
- Verwijderen/installeren van de batterij ②
- Batterijniveau-indicator ⑨
  - druk op de batterijniveau-indicator knop G om het huidige batterijniveau ⑨d aan te geven
  - ! wanneer het laagste niveau van de batterij-indicator gaat knipperen nadat er op knop G ⑨b is gedrukt, is de batterij leeg
  - ! wanneer 2 niveaus van de batterij-indicator gaan knipperen nadat er op knop G ⑨c is gedrukt, is de batterij niet binnen het toegestane bedrijfstemperatuurbereik
- Batterijbescherming
 

De machine wordt plotseling uitgeschakeld of kan niet meer worden ingeschakeld, wanneer

  - de belasting te hoog is --> hef de belasting op en start opnieuw
  - de temperatuur van de batterij niet binnen het toegestane bedrijfstemperatuurbereik ligt van -20 tot +50°C --> 2 niveaus van de batterijniveau-indicator gaan knipperen als er op knop G ⑨c wordt gedrukt; wacht tot de batterij weer binnen het toegestane bedrijfstemperatuurbereik zit
  - de batterij bijna leeg is (ter bescherming tegen diepe ontlading) --> er wordt (knipperend) een laag batterijniveau ⑨b aangegeven door de batterijniveau-indicator als er op knop G wordt gedrukt; batterij opladen
  - ! blijf niet op de aan/uit-schakelaar drukken nadat de machine automatisch is uitgeschakeld; de batterij kan beschadigd worden
- Led-lamp ⑩
 

Led-lamp gaat aan bij het activeren van de aan-/uit-schakelaar

  - ! Als de led-lamp gaat knipperen is de batterijbescherming geactiveerd (zie hierboven)
- Bits installeren en verwijderen
  - Om een bit te installeren, trek de vergrendelingshuls C naar voren, breng de bit in de bithouder aan en ontgrendel de vergrendelingshuls C om de bit te vergrendelen. (①a ①b ①c)
  - ! trek de bit vooruit om te controleren of deze vergrendeld is (①d)
  - voor het verwijderen van een bit, trek de vergrendelingshuls C naar voren
  - ! gebruik uitsluitend bits met snapslot, overige bits kunnen worden gebruikt met een universele bithouder met snapslot
  - ! gebruik geen bits met een beschadigde schacht
- Omschakelen van draairichting ⑫
  - als de omkeerschakelaar niet in de uiterste stand op links/rechts staat, kan schakelaar A ② niet ingedrukt worden
  - ! schakel de draairichting alleen om als de machine volledig stilstaat
- Moduskeuze ⑬
  - Druk op de snelheidsknop E om de gewenste modus

voor het vast- of losdraaien te selecteren wanneer het gereedschap is ingesteld op voorwaartse of achterwaartse rotatie:

#### Lage snelheid (L) ⑬a

- met minder kracht en lage snelheid vast- of losdraaien
- voor kleinere schroeven

#### Hoge snelheid (H) ⑬b

- met veel kracht en hoge snelheid vast- of losdraaien
- voor grote schroeven en bouten

#### Gecontroleerd (pijl) ⑬c

- begint langzaam om de schroef goed in het hout te plaatsen
- de snelheid wordt geleidelijk verhoogd wanneer de schroef is geplaatst
- voor lange schroeven, met name PHILLIPS/POZIDRIV-schroeven
- ! de gecontroleerde modus kan alleen worden gebruikt met voorwaartse draairichting; de omgekeerde draairichting wordt gebruikt voor matige snelheid
- ! de modi kunnen alleen worden veranderd nadat u de aan/uitknop licht hebt ingedrukt (groene LED-lampje(s) gaat/gaan branden) en de machine volledig stilstaat

- Vasthouden en leiden van de machine ⑭

#### ! houd de machine tijdens het werk altijd vast bij het(de) grijs-gekleurde greepvlak(ken)

- houd ventilatie-openingen D ② onbedekt
- oefen niet te veel druk uit; laat de machine het werk voor u doen

## TOEPASSINGSADVIES

- Gebruik de juiste bits
- Altijd een gat voorbereiden bij het schroeven in/vlakbij de kopse- of zijkant van hout
- Voor het indraaien van schroeven in hard hout dient een gat voorgeboord te worden
- Bij het vastdraaien van een schroef, draai deze niet te stevig vast. De kracht van de slagschroevendraaier kan het bevestigingsmiddel stuk maken. Houd het gereedschap uitgelijnd met de schroef om schade aan de kop van het bevestigingsmiddel te voorkomen.
- Het koppel is afhankelijk van de duur van de slag. Het maximale koppel wordt bereikt na een slagduur van 6-10 seconden.
  - ! controleer altijd het aandraaimoment met een momentschroevendraaier
- Voor een optimaal gebruik van het gereedschap is het nodig stevig op de bout te drukken, met name bij het verwijderen van het bevestigingsmiddel.
- Voor meer informatie zie [www.skil.com](http://www.skil.com)


## ONDERHOUD / SERVICE

- Houd machine altijd schoon (met name de ventilatie-openingen D ②)
  - ! verwijder vóór het reinigen de batterij uit de machine
- Mocht het elektrische gereedschap ondanks zorgvuldige fabricage- en testmethoden toch defect raken, dient de reparatie te worden uitgevoerd door een erkende klantenservice voor SKIL elektrische gereedschappen
  - stuur de machine ongedemonteerd, samen met het aankoopbewijs, naar het verkoopadres of het

dichtstbijzijnde SKIL service-station (de adressen evenals de onderdeelentekening van de machine vindt u op [www.skil.com](http://www.skil.com))

- Denk erom, dat beschadigingen als gevolg van overbelasting of onjuist gebruik van de machine niet onder de garantie vallen (voor de garanti voorwaarden van SKIL zie [www.skil.com](http://www.skil.com) of raadpleeg uw dealer)

## MILIEU

- **Geef elektrisch gereedschap, batterijen, accessoires en verpakkingen niet met het huisvuil mee** (alleen voor EU-landen)
  - volgens de Europese richtlijn 2012/19/EG inzake oude elektrische en elektronische apparaten en de toepassing daarvan binnen de nationale wetgeving, dient afgedankt elektrisch gereedschap gescheiden te worden ingezameld en te worden afgevoerd naar een recycle-bedrijf, dat voldoet aan de geldende milieu-eisen
  - symbool  zal u in het afdankstadium hieraan herinneren
- ! **bescherm de batterij-contacten met stevig plakband voordat ze afgedankt worden, om kortsluiting te voorkomen**

## GELUID / VIBRATIE



- Gemeten in navolging van EN 62841 is het geluidsdruk-niveau van deze machine 78 dB(A) en het geluidsvermogensniveau 86 dB(A) (onzekerheid K = 3 dB), en de trilling <math><2,5 \text{ m/s}^2</math> (triax vector som; onzekerheid K = 1.5  $\text{m/s}^2$ )
- Het trillingsemissieniveau is gemeten in overeenstemming met een gestandaardiseerde test volgens EN 62841; deze mag worden gebruikt om twee machines met elkaar te vergelijken en als voorlopige beoordeling van de blootstelling aan trilling bij gebruik van de machine voor de vermelde toepassingen
  - gebruik van de machine voor andere toepassingen, of met andere of slecht onderhouden accessoires, kan het blootstellingsniveau aanzienlijk **verhogen**
  - wanneer de machine is uitgeschakeld of wanneer deze loopt maar geen werk verricht, kan dit het blootstellingsniveau aanzienlijk **reduceren**
- ! **bescherm uzelf tegen de gevolgen van trilling door de machine en de accessoires te onderhouden, uw handen warm te houden en uw werkwijze te organiseren**

S

## Borstl6s, sladdl6s slagskrudragare

3211

## INTRODUKTION

- Det h4r verktyget 4r avsett att skruva i och lossa skruvar och bultar
  - Kontrollera att f6rpackningen inneh4ller att delar s4som visas p4 bilden 
  - Om delar saknas eller 4r skadade kontaktar du 4terf6rs4ljaren
- L4s igenom och spara denna bruksanvisning 
  - **Uppm4rksamma s4rskilt s4kerhetsinstruktionerna**

och varningarna, om dessa inte f6ljs kan det resultera i allvarliga personskador

## TEKNISKA DATA

Max. vridmoment h4rt skruvf6rband enligt ISO 5393 : 250Nm

## VERKTYGSELEMENT

- A Str6mbrytare f6r till/fr4n och varvtalsreglering
- B Omkopplare f6r reversering av rotationsriktningen
- C L4shylsa
- D Ventilations6ppning
- E Knappen Hastighet
- F LED-lampa
- G Batteriindikator
- H 50 mm skrudragarbits

## S4KERHET

### ALLM4NNA S4KERHETSANVISNINGAR F6R ELVERKTYG

 **VARNING Studera alla varningar, anvisningar, bilder och specifikationer g4llande s4kerhet som medf6ljer verktyget.** Om anvisningarna inte f6ljs kan det resultera i elektriska st6tar, brand och/eller allvarliga personskador.

### F6rvara alla varningar och anvisningar f6r framtida bruk.

Nedan anv4nt begrepp "elverktyg" h4nfr6 sig till n4t drivna elverktyg (med n4tsladd) och till batteridrivna elverktyg (sladdl6sa).

#### 1) ARBETSPLATSS4KERHET

- a) **H4ll arbetsplatsen ren och v4lbelyst.** Oordning p4 arbetsplatsen eller d4ligt belyst arbetsomr4de kan leda till olyckor.
- b) **Anv4nd inte elverktynet i explosionsfarlig omgivning med br4nnbara v4tskor, gaser eller damm.** Elverktynen alstrar gnistor som kan ant4nda dammet eller gaserna.
- c) **H4ll under arbetet med elverktynet barn och obeh6riga personer p4 betryggande avst4nd.** Om du st6rs av obeh6riga personer kan du f6rlora kontrollen 6ver elverktynet.

#### 2) ELEKTRISK S4KERHET

- a) **Elverktynets stickpropp m4ste passa till v4gguttaget. Stickproppen f4r absolut inte f6r4ndras. Anv4nd inte adapterkontakter tillsammans med skyddsjordade elverktyg.** Of6r4ndrade stickproppar och passande v4gguttag reducerar risken f6r elektriskt slag.
- b) **Undvik kroppskontakt med jordade ytor som t. ex. r6r, v4rmeelement, spisar och kylsk4p.** Det finns en st6rre risk f6r elektriskt slag om din kropp 4r jordad.
- c) **Skydda elverktynet mot regn och v4ta.** Tr4nger vatten in i ett elverktyg 6kar risken f6r elektriskt slag.
- d) **Missbruka inte n4tsladden och anv4nd den inte f6r att b4ra eller h4nga upp elverktynet och inte heller f6r att dra stickproppen ur v4gguttaget. H4ll n4tsladden p4 avst4nd fr4n v4rme, olja, skarpa kanter och r6rliga maskindelar.** Skadade eller

- stilltrasslade ledningar ökar risken för elektriskt slag.
- e) **När du arbetar med ett elverktyg utomhus använd endast förlängningssladdar som är godkända för utomhusbruk.** Om en lämplig förlängningssladd för utomhusbruk används minskar risken för elektriskt slag.
  - f) **Använd en jordfelsbrytare om det inte är möjligt att undvika elverktygets användning i fuktig miljö.** Genom att använda en jordfelsbrytare minskas risken för elstöt.
- 3) PERSONSÄKERHET**
- a) **Var uppmärksam, kontrollera vad du gör och använd elverktyget med förnuft. Använd inte elverktyget när du är trött eller om du är påverkad av droger, alkohol eller mediciner.** Under användning av elverktyg kan även en kort uppmärksamhet leda till allvarliga kroppsskador.
  - b) **Bär alltid personlig skyddsutrustning och skyddsglasögon.** Användning av personlig skyddsutrustning som t. ex. dammfiltermask, halkfria säkerhetsskor, skyddshjälm och hörselskydd reducerar alltefter elverktygets typ och användning risken för kroppsskada.
  - c) **Undvik oavsiktlig igångsättning. Kontrollera att elverktyget är fränkopplat innan du ansluter stickproppen till vägguttaget och/eller ansluter/tar bort batteriet, tar upp eller bär elverktyget.** Om du bär elverktyget med fingret på strömställaren eller ansluter påkopplat elverktyg till nätströmmen kan olycka uppstå.
  - d) **Ta bort alla inställningsverktyg och skruvnycklar innan du kopplar på elverktyget.** Ett verktyg eller en nyckel i en roterande komponent kan medföra kroppsskada.
  - e) **Överskatta inte din förmåga. Se till att du står stadigt och håller balansen.** I detta fall kan du lättare kontrollera elverktyget i oväntade situationer.
  - f) **Bär lämpliga kläder. Bär inte löst hängande kläder eller smycken. Håll håret och kläderna på avstånd från de rörliga delarna.** Löst hängande kläder, smycken och långt hår kan dras in av roterande delar.
  - g) **Vid elverktyg med dammutsugnings- och uppsamlingsutrustning kontrollera att anordningarna är rätt monterade och används på korrekt sätt.** Användning av dammutsugning minskar de risker damm orsakar.
  - h) **Låt inte vanan att ofta använda verktygen göra att du blir slarvig och ignorerar verktygets säkerhetsprinciper.** En vårdslös åtgärd kan leda till allvarlig personskada inom bråkdelen av en sekund.
- 4) OMSORGSFULL HANTERING OCH ANVÄNDNING AV ELVERKTYG**
- a) **Överbelasta inte elverktyget. Använd för aktuellt arbete avsett elverktyg.** Med ett lämpligt elverktyg kan du arbeta bättre och säkrare inom angivet effektområde.
  - b) **Ett elverktyg med defekt strömställare får inte längre användas.** Ett elverktyg som inte kan kopplas in eller ur är farligt och måste repareras.
  - c) **Dra stickproppen ur vägguttaget och/eller ta bort batteriet, om det kan tas ut ur elverktyget, innan inställningar utförs, tillbehörsdelar byts ut eller elverktyget lagras.** Denna skyddsåtgärd förhindrar oavsiktlig inkoppling av elverktyget.
  - d) **Förvara elverktygen oåtkomliga för barn. Låt**

- elverktyget inte användas av personer som inte är förtrogna med dess användning eller inte läst denna anvisning.** Elverktygen är farliga om de används av oerfarna personer.
- e) **Underhåll elverktyg och tillbehör omsorgsfullt. Kontrollera att rörliga komponenter fungerar felfritt och inte kärvar, att komponenter inte brustit eller skadats; orsaker som kan leda till att elverktygets funktioner påverkas menligt. Låt skadade delar repareras innan elverktyget återanvänds.** Många olyckor orsakas av dåligt skötta elverktyg.
  - f) **Håll skärverktygen skarpa och rena.** Omsorgsfullt skötta skärverktyg med skarpa eggar kommer inte så lätt i kläm och går lättare att styra.
  - g) **Använd elverktyget, tillbehör, insatsverktyg osv. enligt dessa anvisningar. Ta hänsyn till arbetsvillkoren och arbetsmomenten.** Används elverktyget på icke ändamålsenligt sätt kan farliga situationer uppstå.
  - h) **Håll handtag och greppytor torra, rena och fria från olja och fett.** Håll handtag och greppytor ger ingen säker hantering och kontroll över verktyget i oväntade situationer.
- 5) OMSORGSFULL HANTERING OCH ANVÄNDNING AV SLADDLÖSA ELVERKTYG**
- a) **Ladda batterierna endast i de laddare som tillverkaren rekommenderat.** Om en laddare som är avsedd för en viss typ av batterier används för andra batterityper finns risk för brand.
  - b) **Använd endast batterier som är avsedda för aktuellt elverktyg.** Används andra batterier finns risk för kroppsskada och brand.
  - c) **Håll gem, mynt, nycklar, spikar, skruvar och andra små metallföremål på avstånd från reservbatterier för att undvika en bygling av kontakterna.** En kortslutning av batteriets kontakter kan leda till brännskador eller brand.
  - d) **Om batteriet används på fel sätt finns risk för att vätska rinner ur batteriet. Undvik kontakt med vätskan. Vid oavsiktlig kontakt spola med vatten. Om vätska kommer i kontakt med ögonen uppsök dessutom läkare.** Batterivätskan kan medföra hudirritation eller brännskada.
  - e) **Använd inte batteriet eller verktyg som är skadade eller modifierade.** Skadade eller modifierade batterier kan bete sig oväntat vilket leder till brand, explosion eller risk för personskador.
  - f) **Du ska inte exponera ett batteri eller verktyg för brand eller för hög temperatur.** Exponering för brand eller temperaturer över 130°C kan leda till explosion.
  - g) **Följ alla laddningsinstruktioner och ladda inte batteriet eller verktyget utanför det temperaturomfång som specificeras i instruktionerna.** En olämplig laddning eller en laddning vid en temperatur som ligger utanför det specificerade området kan skada batteriet och öka brandrisken.
- 6) SERVICE**
- a) **Låt elverktyget repareras endast av kvalificerad fackpersonal och med originalreservdelar.** Detta garanterar att elverktygets säkerhet upprätthålls.
  - b) **Utför aldrig service på skadade batterier.** Service på batterier får endast utföras av tillverkaren eller auktoriserade tjänsteleverantörer.



## SÄKERHETSANVISNINGAR FÖR SLADDLÖS SLAGSKRUVDRAGARE

- **Håll verktyget i de isolerade greppytorna när en åtgärd utförs där fästet kan komma i kontakt med dolt kablage** (fästen som kommer i kontakt med en strömförande ledning kan orsaka att även verktygets exponerade metalldelar blir strömförande, vilket utgör risk för att användaren utsätts för elektriska stötar)

### ALLMÄNT

- Viss typ av damm, exempelvis färg som innehåller bly, vissa träsorter, mineraler och metaller kan vara hälsovådliga om de inhaleras (hudkontakt eller inhalering kan ge allergisk reaktion och/eller luftvägsproblem/sjukdom hos personer i närheten); **använd andningsskydd och arbeta med en dammuppsamlare om sådan anslutning finns**
- Vissa typer av damm är klassificerade så som carcinogena (t.ex. ek- och björkdamm) särskilt i kombination med tillsatser för träbehandling; **använd andningsskydd och arbeta med en dammuppsamlare om sådan anslutning finns**
- Följ de nationella krav, som finns angående damm, för de material du skall arbeta med
- **Asbesthaltigt material får inte bearbetas** (asbest anses vara cancerframkallande)
- Kontrollera att omkopplare B ② är i mellan position (låst läge) innan inställningar utförs eller tillbehörskomponenter byts eller maskinen transporteras eller lagras

### TILLBEHÖR

- SKIL kan endast garantera att maskinen fungerar felfritt om originaltillbehör används
- Använd endast tillbehör vilkas tillåtna varvtal åtminstone motsvarar maskinens högsta tomgångsvarvtal

### FÖRE ANVÄNDNINGEN

- Undvik skador genom att ta bort skruvar, spikar eller andra föremål ur arbetsstycket; ta dem bort innan du startar ett arbete
- **Sätt fast arbetsstycket** (ett arbetsstycke festsatt med skruvtingar eller i ett skruvstöd är mera stabilt än om det hålls fast för hand)
- **Använd lämpliga detektorer för lokalisering av dolda försörjningsledningar eller konsultera lokalt distributionsföretag** (kontakt med elledningar kan försäkra brand och elstöt; en skadad gasledning kan leda till explosion; borring i vattenledning kan försäkra saksador eller elstöt)

### BATTERIERNA

- **Det medföljande batteriet, om något, är delvis laddat** (i syfte att garantera batteriets fulla kapacitet ska det laddas helt och hållet i batteriladdaren innan verktyget används för första gången)
- **Använd endast följande batterier och laddare med det här verktyget**
  - SKIL-batteri: BR1\*31\*\*\*\*
  - SKIL-laddare: CR1\*31\*\*\*\*
- Använd aldrig trasigt batteriet; de skall omedelbart bytas ut
- Demontera inte batteriet
- Utsätt inte verktyget/batteriet för regn
- Tillåten omgivningstemperatur (verktyg/laddare/batteri):
  - vid laddning 4...40°C
  - vid drift -20...+50°C
  - vid förvaring -20...+50°C

### FÖRKLARING AV SYMBOLER PÅ VERKTYGET/

### BATTERIET

- ③ Läs bruksanvisningen före användning
- ④ Batterierna kan explodera om de utsätts för eld, undanhåll batterierna från heta källor
- ⑤ Förvara maskinen/laddaren/batteriet i lokaler, där temperaturen inte överstiger 50°C
- ⑥ Elektriska verktyg och batterier får inte kastas i hushållssoptorna

### ANVÄNDNING

- Kombinerad strömbrytare för till/från och hastighetskontroll A ⑦
  - variera hastigheten steglöst från noll till maximum genom att trycka A ⑧ mer eller mindre på avtryckaren
- Laddning av batteri
  - ! **läs säkerhetsvarningarna och anvisningarna som levereras med laddaren**
- Ta bort/sätta i batteriet ②
- Batteriindikator ⑨
  - tryck på indikatorknappen G för batterinivå för att visa aktuell batterinivå ⑨e
  - ! **när batteriindikatorns lägsta nivå börjar att blinka efter att knappen G ⑨b tryckts in, är batteriet tomt**
  - ! **när batteriindikatorns lägsta nivåer 2 börjar blinka efter knappen G ⑨c tryckts in, är batteriet inte inom tillåtet driftstemperaturområde**
- Batteriskydd
  - Verktyget stängs plötsligt av eller förhindras att startas när
    - **belastningen är för hög** --> ta bort belastning och starta om
    - **batteriets temperatur över- eller underskrider arbetsområdet -20 till +50°C** --> batteriindikatorns nivåer 2 börjar blinka när knappen G ⑨c trycks in; vänta tills batteriet återigen är inom tillåtet driftstemperaturområde
    - **batteriet är nästan tomt (för att skydda fullständig urladdning)** --> en låg batterinivå eller blinkande låg batterinivå ⑨b visas av batteriindikator när knappen G trycks på; ladda batteriet
    - ! **fortsätt inte trycka på till-/frånknappen efter att verktyget stängts av automatiskt; batteriet kan skadas**
- LED-lampa ⑩
  - LED-lampa tänds automatiskt när strömbrytaren aktiveras
  - ! **när LED-lampan börjar att blinka, är batteriskyddet aktiverat (se ovan)**
- Installera och ta bort bits
  - för att installera en bits, skjut låshylsan C framåt, sätt in bitsen i hållaren i bitshållaren och släpp låshylsan C för att låsa bitsen. (⑩a ⑩b ⑩c)
  - ! **dra bitsen framåt för att kontrollera att den är låst (⑩d)**
  - för att ta bort en bits, skjut låshylsan C framåt
- använd bara bitsar med fjäderkula, andra bitsar kan användas med en universalsbitshållare med fjäderkula
  - ! **använd aldrig bits med trasigt skaft**
- Reversering av rotationsriktningen ⑫
  - om inte vänster/höger är inställt i rätt läge, kan inte strömbrytaren A ② tryckas in
  - ! **ändra rotationsriktningen när maskinen är helt stilla**

- Lågesval ⑬
- tryk på hastighedsknappen E for at vælge ønsket ådragningslæge når værktøjet er indstillet på framåt eller bakåtrotnation:

#### Læge for låg hastighed (L) ⑬a

- ådragningslæge eller lossning med mindre kraft og låg hastighed
- for mindre skruevar

#### Læge for høj hastighed (H) ⑬b

- ådragningslæge eller lossning med stor kraft og høj hastighed
- for store skruevar og bultar

#### Kontrollæge (pil) ⑬c

- bøjra långsamt for hjælp med placering av skruven i træet
- hastigheden höjs automatisk når skruven har placerats
- for långa skruevar, i synnerhet KRYSS-/POZIDRIV-skruevar

**! är kontrollæget endast tillgängligt vid framåtriktad rotation – vid bakåtriktad rotation används det för medelhög hastighet**

**! Lågena kan bara ändras efter en lätt tryckning på på/av-brytaren (grön(a) lysdiod(er) aktiveras) och när verktygets rörliga delar har stannat helt**

- Fattning och styrning av maskinen ⑭
- ! under arbetet, håll alltid verktyget i det grå greppet**
- håll ventilationsöppningarna D ② ej övertäckta
- lägg inte för mycket tryck på verktyget; låt verktyget göra arbetet åt dig

## ANVÄNDNINGSTIPS

- Använd rätt bits
- Vid idragning av en skruv nära kortändan eller på sidan av trämateriallet skall förborring ske för att undvika sprickbildning
- Vid skruvning i hårt trä bör man först förborra ett hål
- När du drar åt en skruv, dra inte åt för mycket. Eftersom kraften från slagskruvdragaren kan bryta fästelementet. Håll verktyget i linje med skruven för att förhindra skador på fästets huvud.
- Ådragningsmomentet beror på slagtiden Maximalt vridmoment uppnås efter en slaglängd på 6-10 sekunder.
- ! kontrollera alltid ådragningsmomentet med en momentnyckel**
- För bästa användning av verktyget är det nödvändigt med ett jämnt tryck på skruven, speciellt vid borttagning av ett fästelement.
- För mer information se [www.skil.com](http://www.skil.com)

## UNDERHÅLL / SERVICE

- Håll alltid verktyget rent (i synnerhet ventilationsöppningarna D ②)
- ! ta bort batteriet från verktyget före rengöring**
- Om i elverktyget trots exakt tillverkning och sträng kontroll störning skulle uppstå, bör reparation utföras av auktoriserad serviceverkstad för SKIL elverktyg
  - sänd in verktyget i **odemonterat skick** tillsammans med inköpsbevis till försäljaren eller till närmaste SKIL serviceverkstad (adresser till servicestationer och sprängskisser av maskiner finns på [www.skil.com](http://www.skil.com))
- Observera att skada till följd av ovarsamhet eller överbelastning inte täcks av garantin (för SKIL

garantivillkor gå till [www.skil.com](http://www.skil.com) eller fråga återförsäljaren)

## MILJÖ

- **Elektriska verktyg, batterier, tillbehör och förpackning får inte kastas i hushållssoporna** (gäller endast EU-länder)
- enligt direktivet 2012/19/EG som avser äldre elektrisk och elektronisk utrustning och dess tillämpning enligt nationell lagstiftning ska uttjänta elektriska verktyg sorteras separat och lämnas till miljövänlig återvinning
- symbolen ⑥ kommer att påminna om detta när det är tid att kassera
- ! före avyttring av batterierna, tejpa kontaktytorna med kraftig tejp för att undvika kortslutning**

## LJUD / VIBRATION

- Det här verktygets ljudtrycksnivå som mätts enligt EN 62841 är 78 dB(A), ljudeffektnivån är 86 dB(A) (osäkerhet K = 3 dB) och vibrationen <math><2,5 \text{ m/s}^2</math> (triax vektorsumma; osäkerhet K = 1,5 m/s<sup>2</sup>)
- Vibrationsemissionsvärdet har uppmätts enligt ett standardiserat test i enlighet med EN 62841; detta värde kan användas för att jämföra vibrationen hos olika verktyg och som en ungefärlig uppskattning av hur stor vibration användaren utsätts för när verktyget används enligt det avsedda syftet
  - om verktyget används på ett annat än det avsedda syftet eller med fel eller dåligt underhållna tillbehör kan detta drastiskt **öka** vibrationsnivån
  - när verktyget stängs av eller är på men inte används, kan detta avsevärt **minska** vibrationsnivån
- ! skydda dig mot vibration genom att underhålla verktyget och dess tillbehör, hålla händerna varma och styra upp ditt arbetssätt**

DK

## Batteridrevet akku-slagskruestrækker uden børster

3211

## INLEDNING

- Dette værktøj er beregnet til at skrue skruevar og bolte ind og ud
  - Sørg for, at alle delene følger med i pakken, som vist på billedet ②
  - Kontakt venligst din forhandler, hvis dele mangler eller er beskadiget
- Læs denne brugsvejledning og behold den ③
  - **Vær særlig opmærksom på sikkerhedsinstruktionerne og advarslerne; gøres dette ikke, kan det medføre alvorlige skader**

## TEKNISKE DATA ①

Max. drejningsmoment hårdt skruearbejde iht. ISO 5393 : 250Nm

## VÆRKTØJETS DELE ②

- A Afbryder til tænd/sluk og regulering af omdrejningstal

- B Omskifter til ændring af omdrejningsretningen
- C Låsemuffe
- D Ventilationshuller
- E Hastighed-knap
- F LED-lys
- G Indikator for batteritilstand
- H 50 mm skruebit

## SIKKERHED

### GENERELLE SIKKERHEDSINSTRUKSER FOR EL-VÆRKTØJ

**⚠ ADVARSEL** Læs alle sikkerhedsadvarsler, instruktioner, illustrationer og specifikationer, der leveres med dette elektriske værktøj. Hvis alle instruktioner opført herunder ikke følges, kan det medføre elektrisk stød, brand og/eller alvorlige kvæstelser.

#### Gem alle advarsler og instruktioner til senere brug.

Begrebet "elværktøj" i advarslerne refererer til elværktøj, der kører på lysnettet (med netkabel) samt batteridrevet værktøj (uden netkabel).

#### 1) SIKKERHED PÅ ARBEJDSPLADSEN

- a) **Sørg for, at arbejdsområdet er rent og ryddeligt.** Uorden eller uoplyste arbejdsområder øger faren for uheld.
- b) **Brug ikke elværktøjet i eksplosionstruede omgivelser, hvor der er brændbare væsker, gasser eller støv.** Elværktøj kan slå gnister, der kan antænde støv eller dampe.
- c) **Sørg for, at andre personer og ikke mindst børn holdes væk fra arbejdsområdet, når el-værktøjet er i brug.** Hvis man distraheres, kan man miste kontrollen over elværktøjet.

#### 2) ELEKTRISK SIKKERHED

- a) **Elværktøjets stik skal passe til kontakten. Stikket må under ingen omstændigheder ændres. Brug ikke adapterstik sammen med jordforbundet elværktøj.** Uændrede stik, der passer til kontakterne, nedsætter risikoen for elektrisk stød.
- b) **Undgå kropskontakt med jordforbundne overflader som f.eks. rør, radiatorer, komfurer og køleskabe.** Hvis din krop er jordforbundet, øges risikoen for elektrisk stød.
- c) **Elværktøjet må ikke udsættes for regn eller fugt.** Indtrængning af vand i et elværktøj øger risikoen for elektrisk stød.
- d) **Brug ikke ledningen til formål, den ikke er beregnet til. Du må aldrig bære elværktøjet i ledningen, hænge elværktøjet op i ledningen eller rykke i ledningen for at trække stikket ud af kontakten. Beskyt ledningen mod varme, olie, skarpe kanter eller maskindele, der er i bevægelse.** Beskadede eller udviklede ledninger øger risikoen for elektrisk stød.
- e) **Hvis elværktøjet benyttes i det fri, må der kun benyttes en forlængerledning, der er egnet til udendørs brug.** Brug af forlængerledning til udendørs brug nedsætter risikoen for elektrisk stød.
- f) **Hvis det ikke kan undgås at bruge elværktøjet i fugtige omgivelser, skal der bruges et HFI-relæ.** Brug

af et HFI-relæ reducerer risikoen for at få elektrisk stød.

#### 3) PERSONLIG SIKKERHED

- a) **Det er vigtigt at være opmærksom, se, hvad man laver, og bruge el-værktøjet fornuftigt. Brug ikke noget el-værktøj, hvis du er træt, har nydt alkohol eller er påvirket af medikamenter eller euforiserende stoffer.** Få sekunders uopmærksomhed ved brug af el-værktøjet kan føre til alvorlige personskader.
  - b) **Brug beskyttelsesudstyr og hav altid beskyttelsesbriller på.** Brug af sikkerhedsudstyr som f.eks. støvmaske, skridsikkert fodtøj, beskyttelseshjelm eller høreværn afhængig af maskintype og anvendelse nedsætter risikoen for personskader.
  - c) **Undgå utilsigtet igangsætning. Kontrollér, at el-værktøjet er slukket, før du tilslutter det til strømtilførslen og/eller akkuen, løfter eller bærer det.** Undgå at bære el-værktøjet med fingeren på afbryderen og sørg for, at el-værktøjet ikke er tændt, når det slutes til nettet, da dette øger risikoen for personskader.
  - d) **Gør det til en vane altid at fjerne indstillingsværktøj eller skruenøgle, før el-værktøjet tændes.** Hvis et stykke værktøj eller en nøgle sidder i en roterende maskindel, er der risiko for personskader.
  - e) **Undgå en unormal legemssposition. Sørg for at stå sikkert, mens der arbejdes, og kom ikke ud af balance.** Dermed har du bedre muligheder for at kontrollere el-værktøjet, hvis der skulle opstå uventede situationer.
  - f) **Brug egnet arbejdstøj. Undgå løse beklædningsgenstande eller smykker. Hold hår og tøj væk fra dele, der bevæger sig.** Dele, der er i bevægelse, kan gribe fat i løstsiddende tøj, smykker eller langt hår.
  - g) **Hvis støvudsugnings- og opsamlingsudstyr kan monteres, er det vigtigt, at dette tilsluttes og benyttes korrekt.** Brug af en støvsugning kan reducere støvmængden og dermed den fare, der er forbundet støv.
  - h) **Selvom du kender værktøjet godt og er vant til at bruge det, skal du alligevel være opmærksom og overholde sikkerhedsanvisningerne.** Et øjeblik uopmærksomhed kan medføre alvorlige personskader.
- #### 4) OMHYGGELIG OMGANG MED OG BRUG AF EL-VÆRKTØJ
- a) **Undgå overbelastning af el-værktøjet. Brug altid et el-værktøj, der er beregnet til det stykke arbejde, der skal udføres.** Med det passende el-værktøj arbejder man bedst og mest sikkert inden for det angivne effektområde.
  - b) **Brug ikke et el-værktøj, hvis afbryder er defekt.** Et el-værktøj, der ikke kan startes og stoppes, er farlig og skal repareres.
  - c) **Træk stikket ud af stikkontakten og/eller fjern akkuen, hvis den er aftagelig, før maskinen indstilles, før skift af tilbehørsdele eller før el-værktøjet lægges til opbevaring.** Disse sikkerhedsforanstaltninger forhindrer utilsigtet start af el-værktøjet.
  - d) **Opbevar ubenyttet el-værktøj uden for børns rækkevidde. Lad aldrig personer, der ikke er fortrolige med el-værktøjet eller ikke har gennemlæst disse instrukser, benytte el-værktøjet.**

- El-værktøj er farligt, hvis det benyttes af ukyndige personer.
- e) **Vedligehold el-værktøj og tilbehørsdele. Kontroller, om bevægelige maskindele fungerer korrekt og ikke sidder fast, og om delene er brækket eller beskadiget, således at el-værktøjets funktion påvirkes. Få beskadigede dele repareret, inden el-værktøjet tages i brug.** Mange uheld skyldes dårligt vedligeholdte el-værktøjer.
  - f) **Sørg for, at skæreværktøjer er skarpe og rene.** Omhyggeligt vedligeholdte skæreværktøjer med skarpe skærekanter sætter sig ikke så hurtigt fast og er nemmere at føre.
  - g) **Brug el-værktøj, tilbehør, indsatsværktøj osv. iht. disse instrukser. Tag hensyn til arbejdsforholdene og det arbejde, der skal udføres.** Anvendelse af el-værktøjet til formål, som ligger uden for det fastsatte anvendelsesområde, kan føre til farlige situationer.
  - h) **Hold håndtag og gribeblader tørre, rene og fri for olie og smørefedt.** Hvis håndtag og gribeblader er glatte, kan værktøjet ikke håndteres og styres sikkert, hvis der sker noget uventet.
- 5) OMHYGGELIG OMGANG MED OG BRUG AF AKKU-VÆRKTØJER**
- a) **Oplad kun akkuer i ladeaggregater, der er anbefalet af fabrikanten.** Et ladeaggregat, der er egnet til en bestemt type akkuer, må ikke benyttes med andre akkuer - brandfare.
  - b) **Brug kun de akkuer, der er beregnet til værktøjet.** Brug af andre akkuer øger risikoen for personskader og er forbundet med brandfare.
  - c) **Ikke benyttede akkuer må ikke komme i berøring med kontorclips, mønter, nøgler, søm, skruer eller andre små metalgenstande, da disse kan kortslutte kontaktterne.** En kortslutning mellem akku-kontaktterne øger risikoen for personskader i form af forbrændinger.
  - d) **Hvis akkuen anvendes forkert, kan der slippe væske ud af akkuen. Undgå at komme i kontakt med denne væske. Hvis det alligevel skulle ske, skylles med vand. Søg læge, hvis væsken kommer i øjnene.** Akku-væske kan give hudirritation eller forbrændinger.
  - e) **Brug ikke akkuer eller værktøj, som er beskadiget eller modificeret.** Beskadigede eller modificerede akkuer kan opføre sig uforudsigeligt og forårsage brand, eksplosion eller fare for personskade.
  - f) **Akkuer eller værktøj må ikke udsættes for ild eller meget høje temperaturer.** Ild eller temperaturer over 130°C kan medføre eksplosion.
  - g) **Følg alle instruktioner for opladning. Akkuen må ikke oplades ved temperaturer uden for det område, der er angivet i instruktionerne.** Forkert opladning eller opladning ved temperaturer uden for det angivne område kan medføre skader på akkuen og forøge brandfaren.
- 6) SERVICE**
- a) **Sørg for, at el-værktøj kun reparerer af kvalificerede fagfolk og at der kun benyttes originale reservedele.** Dermed sikres størst mulig maskinsikkerhed.
  - b) **Beskadigede akkuer må aldrig reparerer.** Reparation af akkuer må kun udføres af producenten eller autoriserede reparatører.

#### SIKKERHEDSANVISNINGER FOR AKKU-SLAGSKRUETRÆKKERE

- **Hold elværktøjet i de isolerede gribeblader, når der udføres arbejde, hvor skruen kan komme i kontakt med skjulte ledninger** (kontakt med en spændingsførende dele kan også sætte elværktøjets metaldele under spænding, hvilket kan give brugeren elektrisk stød)

#### GENERELT

- Støv fra materiale som f.eks. maling, der indeholder bly, nogle træsorter, mineraler og metal kan være skadeligt (kontakt med eller indånding af støvet kan forårsage allergiske reaktioner og/eller sygdomme i luftvejene hos den, der anvender værktøjet, eller hos omkringstående); **bær en støvmaske og arbejd med en støvsugningsanordning, hvor en sådan kan sluttes til**
- Visse slags støv er klassificeret som kræftfremkaldende (som f.eks. støv fra eg og bøg) især i forbindelse med tilsætningsstoffer til træbehandling; **bær en støvmaske og arbejd med en støvsugningsanordning, hvor en sådan kan sluttes til**
- Følg de nationale krav, hvad angår støv, for de materialer, du ønsker at arbejde med
- **Bearbejd ikke asbestholdigt materiale** (asbest er kræftfremkaldende)
- Kontroller, at omskifter B ② er i midterste (låst) position inden værktøjet indstilles eller der skiftes tilbehørsdele eller værktøjet bæres eller lægges fra

#### TILBEHØR

- SKIL kan kun sikre en korrekt funktion af værktøjet, hvis der benyttes originalt tilbehør
- Der må kun benyttes tilbehør, hvis godkendte omdrejningstal er mindst så højt som værktøjets max. omdrejningstal i ubelastet tilstand

#### INDEN BRUG

- Undgå skader forårsaget af skruer, søm eller andre materialer i arbejdsstykket; fjern disse før De begynder at arbejde
- **Fastgør emnet** (det er sikrere at holde emner i en fastgøringsanordning eller skruestik end med hånden)
- **Anvend egnede søgeinstrumenter til at finde frem til skjulte forsyningsledninger eller kontakt det lokale forsyningselskab** (kontakt med elektriske ledninger kan føre til brand og elektrisk stød; beskadigelse af en gasledning kan føre til eksplosion; brud på et vandrør kan føre til materiel skade eller elektrisk stød)

#### BATTERIERNE

- **Det medfølgende batteri (hvis et følger med) er delvist opladet** (for at sikre fuld kapacitet af batteriet skal det oplades helt i batteriopladeren, inden du anvender dit elværktøj første gang)
- **Anvend kun de følgende batterier og batteriopladere, der leveres med dette værktøj**
  - SKIL-batteri: BR1\*31\*\*\*\*
  - SKIL-oplader: CR1\*31\*\*\*\*
- Brug ikke batteriet, hvis det er beskadiget. Det bør erstattes straks
- Adskil ikke batteriet
- Udsæt ikke værktøjet/batteriet for regn
- Tilladt omgivelsestemperatur (værktøj/oplader/batteri):
  - ved opladning 4...40°C
  - ved drift -20...+50°C
  - ved opbevaring -20...+50°C

#### FORKLARING TIL SYMBOLERNE PÅ VÆRKTØJET/ BATTERI

- ③ Læs instruktionen inden brugen

- ④ Batterier vil eksplodere, hvis de kommer i ild, så forsøg aldrig at brænde batteriet
- ⑤ Opbevar værktøj/opladeren/batteriet i et lokale, hvor temperaturen ikke overstiger 50°C
- ⑥ Elværktøj og batterier må ikke bortskaffes som almindeligt affald

## BETJENING

- Kombineret afbryder for til/fra og hastighedskontrol A ⑦
  - kontrolér hastigheden trinløst fra 0 til max. hastighed ved at trykke A ⑧ mere eller mindre på afbryderen
- Opladning af batteriet
  - ! **Læs sikkerhedsadvarslerne og -anvisningerne, der følger med opladeren**
- Afmontering/montering af batteriet ②
- Indikator for batteritilstand ⑨
  - tryk på indikatorknappen for batteriniveau G for at se batteriets aktuelle status ⑨a
  - ! **batteriet er fladt, hvis den nederste statusindikator begynder at blinke, efter at der er blevet trykket på G ⑨b**
  - ! **hvis 2 niveauer for batteriindikatoren begynder at blinke, efter at der er blevet trykket på knappen G ⑨c, er batteriet ikke i det temperaturområde, hvor betjening er tilladt**
- Batteribeskyttelse
 

Værktøjet slukker med det samme eller forhindrer at blive startet, hvis

  - belastningen er for stor --> fjern belastning og genstart
  - batteritemperaturen ikke er inden for det tilladte drifttemperaturområde fra -20 til + 50° C --> 2 niveauer for batteriindikatoren begynder at blinke, efter at der er blevet trykket på knappen G ⑨c; vent, indtil batteriet er vendt tilbage til det tilladte drifttemperaturområde
  - batteriet er næsten tomt (for at beskytte mod dyb afladning) --> et lavt batteriniveau eller et lavt batteriniveau, hvor indikatoren blinker ⑨b vises af batteriindikatoren, hvis der trykkes på knappen G; oplad batteri
  - ! **undlad at betjene kontakten, efter at der er slukket for værktøjet, da det kan beskadige batteriet**
- LED-lys ⑩
 

LED-lyset lyser automatisk, når tænd/sluk-knappen tændes

  - ! **Når LED-lyset begynder at blinke, er batteribeskyttelsen slået til (se ovenfor)**
- Montering og afmontering af bits
  - for at sætte en bit på, skal du trykke låsemuffen C fremad, sæt bitten helt ind i bitholderen og slip låsemuffen C for, at låse bitten fast. (⑩a ⑩b ⑩c)
  - ! **Træk i bitten for at se, om den er låst fast (⑩d)**
  - for at fjerne en bit, skal du trykke låsemuffen C fremad
  - ! **brug kun bits med kuglelås. Andre bits kan bruges med en universal bitholder med kuglelås**
  - ! **brug ikke bits med et beskadiget skaft**
- Ændring af omdrejningsretningen ⑫
  - afbryderen A ② kan ikke aktiveres, hvis retningsskifteren ikke er indstillet korrekt
  - ! **ændre kun omdrejningsretningen når værktøjet er standset helt**
- Valg af funktion ⑬
  - Tryk på hastighed-knappen E, for at vælge den ønskede tilspændings- eller løsnefunktion, når

værktøjet står til at dreje fremad eller tilbage:

### Funktionen lav hastighed (L) ⑬a

- spænd eller løsn med mindre kraft og lav hastighed
- for mindre skruer

### Funktionen høj hastighed (H) ⑬b

- spænd eller løsn med høj kraft og hastighed
- for store skruer og bolte

### Kontrolfunktion (pil) ⑬c

- start langsomt for at hjælpe med at placere skruen i træet
- og automatisk hastigheden, når skruen er placeret
- for lange skruer, særligt PHILLIPS-/POZIDRIV-skruer

! **kontrolfunktion er kun tilgængelig med fremadrettet rotation; i omvendt rotation bruges den til mellemhastighed**

! **funktioner kan kun ændres efter let tryk på on/off-afbryderen (grøn(ne) LED(er) er aktiveret), og når værktøjet er standset helt**

- Håndtering og styring af værktøjet ⑭

! **under arbejde, hold altid om værktøjet på de grå markerede grebsområde(r)**

- hold ventilationshullerne D ② utildækkede
- pres ikke for hårdt med værktøjet; lad værktøjet gøre arbejdet for dig

## GODE RÅD

- Brug rigtige bits
- Ved iskruning af en skrue nær endeflader eller i endetræ bør der forbores for at undgå splinter i træet
- Ved skruning i hårdt træ, anbefales det at bore et hul først
- Når du strammer en bolt eller møtrik, må du ikke stramme den for meget. Da kraften i slag nøglen kan ødelægge fastgørelseselementet. Hold værktøjet på linje med skruen, så skruehovedet ikke ødelægges.
- Momentet afhænger af slagvarigheden. Det maksimale drejningsmoment opnås efter en slagvarighed på 6-10 sekunder.
- ! **Kontroller altid tilspændingsmomentet med en momentnøgle.**
- For at få det meste ud af værktøjet, skal du holde et jævnt tryk på bolten, særligt ved løsning af et fastgørelseselement.
- Se yderligere oplysninger på [www.skil.com](http://www.skil.com)

## VEDLIGEHOLDELSE/SERVICE

- Hold altid værktøjet rent (især ventilationshuller D ②)
- ! **tag batteriet ud af værktøjet inden rengøring**
- Skulle elværktøjet trods omhyggelig fabrikation og kontrol skulle holde op med at fungere, skal reparationen udføres af et autoriseret serviceværksted for SKIL-elektroværktøj
  - send det **ikke adskilte** værktøj sammen med et købsbevis til forhandleren eller nærmeste SKIL-serviceværksted (adresser og reservedelstegning af værktøjet findes på [www.skil.com](http://www.skil.com))
- Husk, at beskadigelse som følge af overbelastning eller forkert håndtering af værktøjet ikke er omfattet af garantien (se [www.skil.com](http://www.skil.com) vedrørende SKIL-garantibetingelserne, eller spørg din forhandler)

## MILJØ

- **Elværktøj, batterier, tilbehør og emballage må ikke bortskaffes som almindeligt affald (kun for EU-lande)**

- i henhold til det europæiske direktiv 2012/19/EF om bortskaffelse af elektriske og elektroniske produkter og gældende national lovgivning, skal brugt elværktøj indsamles separat og bortskaffes på en måde, der skåner miljøet mest muligt
- symbolet ⑥ erindrings dig om dette, når udskiiftning er nødvendig
- ! **beskyt batteri terminaler med bredt tape for at undgå kortslutning**

## STØJ / VIBRATION

- Målt i henhold til EN 62841 er lydtryksniveauet for dette værktøj 78 dB(A) og lydeffektniveauet 86 dB(A) (usikkerhed K = 3 dB), og vibrationen <math>2,5 \text{ m/s}^2</math> (triax vector sum; usikkerhed K = 1.5 m/s<sup>2</sup>)
- Vibrationsniveauet er målt i henhold til den standardiserede test som anført i EN 62841. Det kan benyttes til at sammenligne to stykker værktøj og som en foreløbig bedømmelse af udsættelsen for vibrationer, når værktøjet anvendes til de nævnte form
  - anvendes værktøjet til andre formål eller med andet eller dårligt vedligeholdet tilbehør, kan dette **øge** udsættelsesniveauet betydeligt
  - de tidsrum, hvor værktøjet er slukket, eller hvor det kører uden reelt at udføre noget arbejde, kan **reducere** udsættelsesniveauet betydeligt
- ! **beskyt dig selv imod virkningerne af vibrationer ved at vedligeholde værktøjet og dets tilbehør, ved at holde dine hænder varme og ved at organisere dine arbejdsmonstre**

N

## Trådløs slagdrill uten børster

3211

## INTRODUKSJON

- Dette verktøyet er tiltenkt for å skru inn og løse skruer og bolter
  - Sjekk om emballasjen inneholder alle deler som vist på tegning ②
  - Når deler mangler eller er skadet, vennligst kontakt din forhandler
- Les og lagre denne bruksanvisningen ③
  - **Vær spesielt oppmerksom på sikkerhetsinstruksjonene og advarslene; unnlattelse av å følge disse kan føre til alvorlig skade**

## TEKNISKE DATA ①

Maks. dreiemoment for hard skruing jf. ISO 5393 : 250Nm

## VERKTØYELEMENTER ②

- A Bryter til av/på og turtallsregulering
- B Bryter til endring av dreieretning
- C Låsehylse
- D Ventilasjonsåpninger
- E Hastighetsknapp
- F LED lys
- G Batterinivåindikator
- H 50 mm drivbit

## SIKKERHET

### GENERELLE ADVARSLER FOR ELEKTROVERKTØY

**⚠ ADVARSEL** Les alle sikkerhetsadvarsler, instruksjoner, illustrasjoner og spesifikasjoner som følger med dette elektroverktøyet. Hvis du unnlater å følge noen av instruksjonene som er listet opp ovenfor, kan det føre til elektrisk støt, brann og/eller alvorlige personskader.

**Ta godt vare på alle advarslene og informasjonene.**

Det nedenstående anvendte uttrykket "elektroverktøy" gjelder for strøm-drevne (med ledning) og batteridrevne elektroverktøy (uten ledning).

### 1) SIKKERHET PÅ ARBEIDSPLASSEN

- a) **Hold arbeidsområdet rent og ryddig.** Rotete arbeidsområder eller arbeidsområder uten lys kan føre til ulykker.
- b) **Ikke arbeid med elektroverktøyet i eksplosjonsfarlige atmosfærer – der det befinner seg brennbare væsker, gass eller støv.** Elektroverktøyet lager gnister som kan antenne støv eller damper.
- c) **Hold barn og andre personer unna når elektroverktøyet brukes.** Hvis du blir forstyrret under arbeidet, kan du miste kontrollen over elektroverktøyet.

### 2) ELEKTRISK SIKKERHET

- a) **Støpselet til elektroverktøyet må passe inn i stikkkontakten. Støpselet må ikke forandres på noen som helst måte. Ikke bruk adapterstøpsler sammen med jordede maskiner.** Bruk av støpsler som ikke er forandret på og passende stikkontakter reduserer risikoen for elektriske støt.
- b) **Unngå kroppskontakt med jordede overflater slik som rør, ovner, komfyrer og kjøleskap.** Det er større fare ved elektriske støt hvis kroppen din er jordet.
- c) **Hold elektroverktøyet unna regn eller fuktighet.** Dersom det kommer vann i et elektroverktøy, øker risikoen for elektriske støt.
- d) **Ikke bruk ledningen til andre formål, f.eks. til å bære elektroverktøyet, henge den opp eller trekke den ut av stikkkontakten. Hold ledningen unna varme, olje, skarpe kanter eller maskindeler som beveger seg.** Med skadede eller opphopede ledninger øker risikoen for elektriske støt.
- e) **Når du arbeider utendørs med et elektroverktøy, må du kun bruke en skjøteledning som er godkjent til utendørs bruk.** Når du bruker en skjøteledning som er egnet for utendørs bruk, reduseres risikoen for elektriske støt.
- f) **Hvis det ikke kan unngås å bruke elektroverktøyet i fuktige omgivelser, må du bruke en jordfeilbryter.** Bruk av en jordfeilbryter reduserer risikoen for elektriske støt.

### 3) PERSONSIKKERHET

- a) **Vær oppmerksom, pass på hva du gjør, gå fornuftig frem når du arbeider med et elektroverktøy. Ikke bruk elektroverktøyet når du er trett eller er påvirket av narkotika, alkohol eller medikamenter.** Et øyeblikks uoppmerksomhet ved bruk av elektroverktøyet kan føre til alvorlige skader.

- b) **Bruk personlig verneutstyr og husk alltid å bruke vernebriller.** Bruk av personlig sikkerhetsutstyr som støvmaske, skilfaste arbeidssko, hjelm eller hørselvern – avhengig av type og bruk av elektroverktøyet – reduserer risikoen for skader.
  - c) **Unngå å starte verktøyet ved en feiltagelse. Forviss deg om at elektroverktøyet er slått av før du kobler det til strømmen og/eller batteriet, løfter det opp eller bærer det.** Hvis du holder fingeren på bryteren når du bærer elektroverktøyet eller kobler elektroverktøyet til strømmen i innkoblet tilstand, kan dette føre til uhell.
  - d) **Fjern innstillingsverktøy eller skrunøkler før du slår på elektroverktøyet.** Et verktøy eller en nøkkel som befinner seg i en roterende maskindel, kan føre til skader.
  - e) **Ikke overvurder deg selv. Sørg for å stå stødig og i balanse.** Dermed kan du kontrollere elektroverktøyet bedre i uventede situasjoner.
  - f) **Bruk alltid egnede klær. Ikke bruk vide klær eller smykker. Hold hår og klær unna deler som beveger seg.** Løstsittende tøy, smykker eller langt hår kan komme inn i deler som beveger seg.
  - g) **Hvis det kan monteres støvavsug- og oppsamlingsinnretninger, må du forviss deg om at disse er tilkoblet og brukes på korrekt måte.** Bruk av et støvavsug reduserer faren på grunn av støv.
  - h) **Selv når du er blitt vant til verktøyet, må du ikke bli sløv og ignorere sikkerhetsreglene for verktøyet.** En uforsiktig handling kan forårsake alvorlig personskade i løpet av et brøkdels sekund.
- 4) AKTSOM HÅNTERING OG BRUK AV ELEKTROVERKTØY**
- a) **Ikke overbelast elektroverktøyet. Bruk et elektroverktøy som er beregnet til den type arbeid du vil utføre.** Med et passende elektroverktøy arbeider du bedre og sikrere i det angitte effektområdet.
  - b) **Ikke bruk elektroverktøy med defekt på-/avbryter.** Et elektroverktøy som ikke lenger kan slås av eller på, er farlig og må repareres.
  - c) **Trekk støpselet ut av stikkkontakten og/eller fjern batteriet (hvis demonterbart) før du utfører innstillinger på elektroverktøyet, skifter tilbehørsdeler eller legger elektroverktøyet bort.** Disse tiltakene forhindrer en utilsiktet startung av elektroverktøyet.
  - d) **Elektroverktøy som ikke er i bruk må oppbevares utilgjengelig for barn. Ikke la elektroverktøyet brukes av personer som ikke er fortrolig med dette eller ikke har lest disse anvisningene.** Elektroverktøy er farlige når de brukes av uerfarne personer.
  - e) **Vær nøye med vedlikeholdet av elektroverktøyet og tilbehøret. Kontroller om bevegelige maskindeler fungerer feilfritt og ikke klemmes fast, og om deler er brukket eller skadet, slik at dette innvirker på elektroverktøyet funksjon. La skadede deler repareres før elektroverktøyet brukes.** Dårlig vedlikeholdte elektroverktøy er årsaken til mange uhell.
  - f) **Hold skjæreverktøyene skarpe og rene.** Godt stelte skjæreverktøy med skarpe skjær setter seg ikke så ofte fast og er lettere å føre.
  - g) **Bruk elektroverktøy, tilbehør, verktøy osv. i henhold til disse anvisningene. Ta hensyn til arbeidsforholdene og arbeidet som skal utføres.** Bruk av elektroverktøy til andre formål enn det som er

- angitt kan føre til farlige situasjoner.
- h) **Hold håndtak og gripeflater tørre, rene og uten olje eller fett.** Glatte håndtak og gripeflater hindrer sikker håndtering og styring av verktøyet i uventede situasjoner.
- 5) AKTSOM HÅNTERING OG BRUK AV BATTERIDREVNE VERKTØY**
- a) **Lad batteriet kun opp i ladere som er anbefalt av produsenten.** Det oppstår brannfare hvis en lader som er egnet til en bestemt type batterier, brukes med andre batterier.
  - b) **Bruk derfor kun riktig type batterier for elektroverktøyene.** Bruk av andre batterier kan medføre skader og brannfare.
  - c) **Hold batteriet som ikke er i bruk unna binders, mynter, nøkler, spikre, skruer eller andre mindre metallgjenstander, som kan lage en forbindelse mellom kontaktene.** En kortslutning mellom batterikontaktene kan føre til forbrenninger eller brann.
  - d) **Ved gal bruk kan det lekke væske ut av batteriet. Unngå kontakt med denne væsken. Ved tilfeldig kontakt må det skylles med vann. Hvis det kommer væske i øynene, må du i tillegg oppsøke en lege.** Batterivæske som renner ut kan føre til irritasjoner på huden eller forbrenninger.
  - e) **Ikke bruk batteriet eller verktøyet hvis det er skadet eller modifisert.** Ødelagte eller modifiserte batterier kan oppføre seg uforutsigbart, noe som kan føre til brann, eksplosjon eller fare for personskade.
  - f) **Ikke utsett batteriet eller verktøyet for åpen ild eller for høye temperaturer.** Eksponering for ild eller temperaturer over 130 °C kan forårsake eksplosjon.
  - g) **Følg alle ladeinstruksjoner, og ikke lad batteriet eller verktøyet utenfor temperaturområdet som er spesifisert i bruksanvisningen.** Feil lading eller lading ved temperaturer utenfor det spesifiserte temperaturområdet, kan skade batteriet og øke brannfaren.
- 6) SERVICE**
- a) **Maskinen din skal alltid kun repareres av kvalifisert fagpersonale og kun med originale reservedeler.** Slik opprettholdes elektroverktøyet sikkerhet.
  - b) **Ikke utfør service på ødelagte batterier.** Service på batterier skal alltid utføres av produsenten eller godkjente forhandlere.

#### SIKKERHETSINSTRUKSJONER FOR BATTERIDREVET SLAGSKRUTREKKERE

- **Ta kun tak i elektroverktøyet på de isolerte gripeflatene når de utfører jobber hvor festet kan komme i kontakt med skjulte ledninger** (hvis en strømførende ledning kuttes, kan metalldele på elektroverktøyet bli strømførende og brukeren kan få elektrisk støt)

#### GENERELL

- Støv fra materialer som blyholdig maling, visse tresorter, mineraler og metall kan være skadelig (kontakt med eller inhalering av støv kan gi allergiske reaksjoner og/eller sykdommer i åndedretsorganene for brukeren eller personer i nærheten); **bruk støvmaske og arbeid med støvfjerningsutstyr når det er mulig**
- Visse typer støv er klassifisert som kreftfremkallende (som f.eks. støv fra eik og bok), spesielt sammen med

tilsetningsstoffer for trebehandling; **bruk støvmaske og arbeid med støvfjerningsutstyr når det er mulig**

- Følg de nasjonale krav, når det gjelder støv for de materialer du ønsker å arbeide med
- **Ikke bearbeid asbestholdig material** (asbest kan fremkalle kreft)
- Sørg for at bryter B ② er i midtre (låst) posisjon før du utfører innstillinger på verktøyet eller skifter tilbehørsdeler eller bærer eller legger verktøyet bort

#### TILBEHØR

- SKIL kan kun garantere et feilfritt verktøy dersom original-tilbehør brukes
- Bruk kun tilbehør med et godkjent turtall som er minst like høyt som verktøyets høyeste tomgangsturtall

#### FØR BRUK

- Unngå skade pga. skruer, spiker eller andre elementer i arbeidsstykket; fjernes før man starter jobben
- **Sett fast arbeidsstykket** (et arbeidsstykke som er sikret med klemmer, sitter sikrere enn om det holdes fast for hånd)
- **Bruk egnede detektorer til å finne skjulte strøm-/gass-/vannledninger, eller spør hos det lokale el-/gass-/vannverket** (kontakt med elektriske ledninger kan medføre brann og elektrisk støt; skader på en gassledning kan føre til eksplosjon; inntrengning i en vannledning forårsaker materielle skader og kan medføre elektriske støt)

#### BATTERIENE

- **Batteriet som følger med, hvis det finnes, er delvis oppladet** (for å få batteriets fulle kapasitet, lad batteriet helt opp ved bruk av batteriladeren før verktøyet tas i bruk for første gang)
- **Bare bruk følgende batterier og ladere med dette verktøyet**
  - SKIL-batteri: BR1\*31\*\*\*\*
  - SKIL-lader: CR1\*31\*\*\*\*
- Bruk ikke batteriet når de er skadet; de må byttes ut umiddelbart
- Ikke demonter batteriet
- Ikke utsett verktøyet/batteriet for regn
- Tillatt omgivelsestemperatur (verktøy/lader/batteri):
  - ved lading 4...40 °C
  - ved drift -20...+50 °C
  - ved lagring -20...+50 °C

#### FORKLARING AV SYMBOLER PÅ VERKTØY/BATTERI

- ③ Les instruksjonsboken for bruk
- ④ Batterier vil eksplodere hvis de blir brent, derfor må man aldri brenne batteriene
- ⑤ Oppbevar verktøy/lader/batteriet på et sted der temperaturen ikke overstiger 50 °C
- ⑥ Kast aldri elektroverktøy og batterier i husholdningsavfall

#### BRUK

- Kombinert bryter for på/av og hastighetsregulering A ⑦
  - reguler den trinnløse hastighet fra 0 til maksimum ved å trykke A ⑧ mere eller mindre på bryteren
- Batteriladning
  - ! **les sikkerhetsadvarslene og instruksene levert med laderen**
- Fjerne/installere batteriet ②
- Indikator for batteristatus ⑨
  - trykk inn indikatorknappen for batteriladning G for å se inneværende batteriladningen ⑨f

! hvis indikatoren for batteriladning begynner å blinke etter du har trykket på knappen G ⑨b, er batteriet tomt

! hvis 2 indikatoren for batteriladning begynner å blinke etter du har trykket på knappen G ⑨c, er batteriet ikke innenfor tillatt driftstemperaturområdet

- Batterivern  
Verktøyet blir plutselig slått av eller blir forhindret fra å startes når
  - **belastningen er for høy** --> fjern belastningen og start på nytt
  - **batteriets temperatur ikke er innenfor tillatt driftstemperaturområdet som er -20 til 50°C** --> 2 indikatoren for batteriladning begynner å blinke etter du har trykket på knappen G ⑨c; vent til batteriet er innenfor det tillatte driftstemperaturområdet
  - **batteriet er nesten tomt (for å beskytte mot full utlading)** --> et lavt batterinivå eller et blinkende lavt batteri nivå ⑨b vises ved at indikatoren for batteriladning begynner å blinke etter du har trykket på knappen G; lad batteriet
- ! **ikke fortsett å skru verktøyet av og på etter at det er slått av automatisk; dette kan skade batteriet**
- ! **endre bare rotasjonsretning når verktøyet er helt stillestående**
- LED-lys ⑩  
LED-lys tennes automatisk når av/på-bryteren aktiveres
  - ! **når LED-lyset begynner å blinke, er batteribeskyttelsen aktivert (se ovenfor)**
- Installere og fjerne bits
  - for å installere en bit, trekk låsehylsen C fremover, sett inn biten i bitsholderen og slipp låsehylsen C for å låse biten. ⑩a ⑩b ⑩c
  - ! **trekk biten fremover for å sjekke om den er låst ⑩d)**
  - for å fjerne litt, trekk låsehylsen C fremover
  - ! **bruk kun bits med kulefang, andre bits kan brukes med en universal bitsholder med kulefang**
  - ! **ikke bruk bits med skadet skaft**
- Endring av rotasjonsretning ⑪
  - hvis ikke retningshendelen er riktig satt i venstre/høyre posisjon, sperres bryteren A ②
- Modusvelger ⑬
  - trykk på hastighetsknappen E for å velge ønsket stramme- eller løsnemodus når verktøyet er satt til forover- eller bakoverrotasjon:
- **Lavhastighets-modus (L) ⑬a**
  - stramme eller løsne med mindre kraft og lav hastighet
  - til mindre skruer
- **Høyhastighets-modus (H) ⑬b**
  - stramming eller løsne med høy kraft og hastighet
  - til større skruer og bolter
- **Kontrollmodus (Pil) ⑬c**
  - begynn sakte for å hjelpe skruen til å få fotfeste i treverket
  - automatisk øk hastigheten når skruen har fotfeste
  - til lange skruer, spesielt PHILLIPS/POZIDRIV-skruer
- ! **kontrollmodus er bare tilgjengelig med rotasjon fremover, i rotasjon bakover er den brukt til middels hastighet**
- ! **modusene kan bare endres etter av/på-bryteren er trykket lett inn (grønne LED(-er) er aktivert) og når verktøyet står helt stille**



- Grep og styring av verktøyet (14)  
**! under arbeid, hold verktøyet alltid i grått (gråe) grepsområde(r)**
  - hold ventilasjonsåpningen D (2) utildekket
  - ikke utøv for meget press på verktøyet, la verktøyet gjøre jobben for deg

## BRUKER TIPS

- Bruk riktige bits
- Ved skruing ute ved materialkanten er det en fordel å forbore for å unngå at materialet sprekker
- Ved skruing i hardt tre bør man forbore et hull
- Når du strammer en skrue, må du ikke stramme for mye. Ettersom kraften til slagdriveren kan bryte festet. Hold verktøyet på linje med skruen for å forhindre skade på festehodet.
- Dreiemomentet avhenger av støtvarigheten. Maksimalt dreiemoment oppnås etter en anslagsvarighet på 6-10 sekunder.  
**! sjekk alltid tiltrekkingsmomentet med en momentdriver**
- For optimal bruk av verktøyet kreves et jevnt trykk på bolten, spesielt når du fjerner en feste.
- For mer informasjon se [www.skil.com](http://www.skil.com)

## VEDLIKEHOLD / SERVICE

- Verktøyet skal alltid holdes rent (gjelder spesielt for ventilasjonssporene D (2))  
**! ta batteriet ut av verktøyet før rengjøring**
- Hvis elektroverktøyet til tross for omhyggelige produksjons- og kontrollmetoder en gang skulle svikte, må reparasjonen utføres av et autorisert serviceverksted for SKIL-elektroverktøy
  - send verktøyet i **montert** tilstand sammen med kjøpebevis til forhandleren eller nærmeste SKIL servicesenter (adresser liksom service diagram av verktøyet finner du på [www.skil.com](http://www.skil.com))
- Vær klar over at skade som skyldes overbelastning eller feilbehandling av verktøyet ikke dekkes av garantien (for SKIL garantibetingelser se [www.skil.com](http://www.skil.com) eller spør din forhandler)

## MILJØ

- **Kast aldri elektroverktøy, batterier, tilbehør og emballasje i husholdningsavfallet** (kun for EU-land)
  - i henhold til EU-direktiv 2012/19/EF om kasserte elektriske og elektroniske produkter og direktivets iverksetting i nasjonal rett, må elektroverktøy som ikke lenger skal brukes, samles separat og returneres til et miljøvennlig gjenvinningsanlegg
  - symbolet (15) er påtrykt som en påminnelse når utskiftning er nødvendig
- **! før batteriene kastes, tape over polene med tykk tape for å unngå kortslutning**

## STØY / VIBRASJON

- Målt i samsvar med EN 62841, lydtrykksnivået til dette verktøyet er 78 dB(A) og lydeffektnivået er 86 dB(A) (usikkerhet K = 3 dB) og vibrasjonen <math>2,5 \text{ m/s}^2</math> (triaks vektorsum usikkerhet K = 1,5  $\text{m/s}^2$ )
- Vibrasjonsnivået er målt i samsvar med en standardisert test som er angitt i EN 62841; den kan brukes til å

sammenligne et verktøy med et annet, og som et foreløpig overslag over eksponering for vibrasjoner ved bruk av verktøyet til de oppgavene som er nevnt

- bruk av verktøyet til andre oppgaver, eller med annet eller mangelfullt vedlikeholdt utstyr, kan gi en vesentlig **økning** av eksponeringsnivået
- tidsrommene når verktøyet er avslått eller når det går men ikke arbeider, kan gi en vesentlig **reduksjon** av eksponeringsnivået

**! beskytt deg selv mot virkningene av vibrasjoner ved å vedlikeholde verktøyet og utstyret, holde hendene varme og organisere arbeidsmåten din**

FIN

## Harjaton akkuruuvinväännin

3211

### ESITTELY

- Tämä työkalu on tarkoitettu ruuvien ja pulttien kiristämiseen ja löysäämiseen
  - Varmista, että pakkaus sisältää kaikki osat, jotka näkyvät piirroksessa (2)
  - Jos osia puuttuu tai on vioittunut, ota yhteyttä jälleenmyyjään
- Lue ja säilytä tämä ohjekirja (3)
  - **Kiinnitä erityistä huomiota turvallisuutta koskeviin ohjeisiin ja varoituksiin. Niiden laiminlyönti voi aiheuttaa vakavan loukkaantumisen**

### TEKNISET TIEDOT (1)

Suurin vääntömomentti kovassa ruuvinväännössä ISO 5393 mukaan : 250Nm

### LAITTEEN OSAT (2)

- A On/off- ja nopeudensäätökytkin
- B Kytkin pyörintäsuunnan vaihtamiseksi
- C Lukitusohjelmi
- D Ilmanvaihto-aukko
- E Nopeuspainike
- F LED-valo
- G Akun lataustilan merkkivalo
- H 50 mm vääntimen kärki

## TURVALLISUUS

### YLEISET SÄHKÖTYÖKALUJEN TURVALLISUUTEEN LIITTYVÄT VAROITUKSET

**VAROITUS: Pehdy kaikkiin tämän sähkötyökalun mukana toimitettuihin varoituksiin, ohjeisiin, kuviin ja teknisiin tietoihin.** Jos kaikkia alla olevia ohjeita ei noudateta, seurauksena voi olla sähköisku, tulipalo ja/tai vakava loukkaantumisen.

**Säilytä kaikki turvallisuus- ja muut ohjeet tulevaisuutta varten.**

Turvallisuusohjeissa käytetty käsite "sähkötyökalu" käsittää verkkokäyttöisiä sähkötyökaluja (verkkojohdolla) ja akkukäyttöisiä sähkötyökaluja (ilman verkkojohdtoa).

## 1) TYÖPAIKAN TURVALLISUUS

- a) **Pidä työskentelyalue puhtaana ja hyvin valaistuna.** Työpaikan epäjärjestys tai valaisemattomat työalueet voivat johtaa tapaturmiin.
- b) **Älä työskentele sähkötyökalulla räjähdysalttiissa ympäristössä, jossa on palavaa nestettä, kaasua tai pölyä.** Sähkötyökalu muodostaa kipinöitä, jotka saattavat sytyttää pölyn tai höyryt.
- c) **Pidä lapset ja sivulliset loitolla sähkötyökalua käyttäessäsi.** Voit menettää laitteesi hallinnan, huomiosi suuntautuessa muualle.

## 2) SÄHKÖTURVALLISUUS

- a) **Sähkötyökalun pistotulpan tulee sopia pistorasiaan. Pistotulppaa ei saa muuttaa millään tavalla. Älä käytä mitään pistorasia-adaptoreita maadoitettujen sähkötyökalujen kanssa.** Alkuperäisessä kunnossa olevat pistotulpat ja sopivat pistorasiat vähentävät sähköiskun vaaraa.
- b) **Vältä koskettamasta maadoitettuja pintoja, kuten putkia, pattereita, liesiä tai jääkaappeja.** Sähköiskun vaara kasvaa, jos kehosi on maadoitettu.
- c) **Älä aseta sähkötyökalua alttiiksi sateelle tai kosteudelle.** Veden tunkeutuminen sähkötyökalun sisään kasvattaa sähköiskun riskiä.
- d) **Älä käytä verkkojohtoa väärin. Älä käytä sitä sähkötyökalun kantamiseen, vetämiseen tai pistotulpan irrottamiseen pistorasiasta. Pidä johto loitolla kuumuudesta, öljystä, terävistä reunoista ja liikkuvista osista.** Vahingoittuneet tai sotkeutuneet johdot kasvattavat sähköiskun vaaraa.
- e) **Käyttäessäsi sähkötyökalua ulkona, käytä ainoastaan ulkokäyttöön soveltuvaa jatkojohtoa.** Ulkokäyttöön soveltuvan jatkojohdon käyttö pienentää sähköiskun vaaraa.
- f) **Jos sähkötyökalun käyttö kosteassa ympäristössä ei ole vältettävissä, tulee käyttää maavuotokatkaisijaa.** Maavuotokatkaisijan käyttö vähentää sähköiskun vaaraa.

## 3) HENKILÖTURVALLISUUS

- a) **Ole valpas, kiinnitä huomiota työskentelyysi ja noudata tervettä järkeä sähkötyökalua käyttäessäsi. Älä käytä sähkötyökalua, jos olet väsynyt tai huumeiden, alkoholin tahi lääkkeiden vaikutuksen alaisena.** Hetken tarkkaamattomuus sähkötyökalua käytettäessä, saattaa johtaa vakavaan loukkaantumiseen.
- b) **Käytä suojavarusteita. Käytä aina suojalaseja.** Henkilökohtaisen suojavarustuksen käyttö, kuten pölynaamarin, luistamattomien turvakengien, suojakypärän tai kuulonsuojaimien, riippuen sähkötyökalun lajista ja käyttötavasta, vähentää loukkaantumisriskiä.
- c) **Vältä tahatonta käynnistämistä. Varmista, että sähkötyökalu on poiskytkettyä, ennen kuin liität sen sähköverkkoon ja/tai liität akun, otat sen käteen tai kannat sitä.** Jos kannat sähkötyökalua sormi käynnistyskytkimellä tai kytket sähkötyökalun pistotulpan pistorasiaan, käynnistyskytkimen ollessa käyntiasennossa, altistat itsesi onnettomuuksille.
- d) **Poista kaikki säätötyökalut ja ruuvitalat, ennen kuin käynnistät sähkötyökalun.** Työkalu tai avain, joka sijaitsee laitteen pyörivässä osassa, saattaa johtaa loukkaantumiseen.

- e) **Älä yllärvioi itseäsi. Huolehdi aina tukevasta seisoma-asennosta ja tasapainosta.** Täten voit paremmin hallita sähkötyökalua odottamattomissa tilanteissa.
- f) **Käytä tarkoitukseen soveltuvia vaatteita. Älä käytä löysiä työvaatteita tai koruja. Pidä hiukset ja vaatteet poissa liikkuvien osien ulottuvilta.** Väljät vaatteet, korut ja pitkät hiukset voivat takertua liikkuviin osiin.
- g) **Jos pölynimu- ja keräilylaitteita voidaan asentaa, tulee sinun tarkistaa, että ne on liitetty ja että ne käytetään oikealla tavalla.** Pölynimulaitteiston käyttö vähentää pölyn aiheuttamia vaaroja.
- h) **Työskentele keskittyneesti ja noudata aina turvallisuusmääräyksiä.** Hetkellinenkin huolimattomuus voi aiheuttaa vakavia vammoja.
- ## 4) SÄHKÖTYÖKALUJEN KÄYTTÖ JA HOITO
- a) **Älä ylikuormita laitetta. Käytä kyseiseen työhön tarkoitettua sähkötyökalua.** Sopivaa sähkötyökalua käyttäen työskentelet paremmin ja varmemmin tehoalueella, jolle sähkötyökalu on tarkoitettu.
- b) **Älä käytä sähkötyökalua, jota ei voida käynnistää ja pysäyttää käynnistyskytkimestä.** Sähkötyökalu, jota ei enää voida käynnistää ja pysäyttää käynnistyskytkimellä, on vaarallinen ja se täytyy korjata.
- c) **Irrota pistotulppa pistorasiasta ja/tai irrota akku (jos irrotettava) sähkötyökalusta, ennen kuin suoritat säätöjä, vaihdat tarvikkeita tai viet sähkötyökalun varastoon.** Nämä turvatoimenpiteet pienentävät sähkötyökalun tahattoman käynnistysriskin.
- d) **Säilytä sähkötyökalut poissa lasten ulottuvilta, kun niitä ei käytetä. Älä anna sellaisena henkilöiden käyttää sähkötyökalua, jotka eivät tunne sitä tai jotka eivät ole lukeneet tätä käyttöohjetta.** Sähkötyökalut ovat vaarallisia, jos niitä käyttävät kokemattomat henkilöt.
- e) **Pidä sähkötyökalut ja tarvikkeet hyvässä kunnossa. Tarkista, että liikkuvat osat toimivat moitteettomasti, eivätkä ole puristuksessa sekä, että siinä ei ole murtuneita tai vahingoittuneita osia, jotka saattaisivat vaikuttaa haitallisesti sähkötyökalun toimintaan. Anna korjauttaa mahdolliset viat ennen käyttöönottoa.** Momen taturman syyt löytyvät huonosti huolletuista laitteista.
- f) **Pidä leikkausterät terävinä ja puhtaina.** Huolellisesti hoidetut leikkaustyökalut, joiden leikkausreunat ovat teräviä, eivät tartu helposti kiinni ja niitä on helpompi hallita.
- g) **Käytä sähkötyökaluja, tarvikkeita, vaihtotyökaluja jne. näiden ohjeiden mukaisesti. Ota tällöin huomioon työolosuhteet ja suoritettava toimenpide.** Sähkötyökalun käyttö muuhun kuin sille määrättyyn käyttöön, saattaa johtaa vaarallisiin tilanteisiin.
- h) **Pidä kahvat ja kädensijat kuivina ja puhtaina (öljyttöminä ja rasvattomina).** Jos kahvat ja kädensijat ovat liukkaista, et pysty ylläpitävissä tilanteissa ohjaamaan ja hallitsemaan työkalua turvallisesti.
- ## 5) AKKUKÄYTTÖISTEN SÄHKÖTYÖKALUJEN KÄYTTÖ JA HOITO
- a) **Lataa akku vain valmistajan määräämässä latauslaitteessa.** Latauslaite, joka soveltuu määrätyn tyyppiselle akulle, saattaa muodostaa tulipalovaaran erilaista akkua ladattaessa.
- b) **Käytä sähkötyökalussa ainoastaan kyseiseen**

**sähkötyökaluun tarkoitettua akkua.** Jonkun muun akun käyttö saattaa johtaa loukkaantumiseen ja tulipaloon.

- c) **Pidä irrallista akkua loitolla metalliesineistä, kuten paperinliittimistä, kolikoista, avaimista, nauloista, ruuveista tai muista pienistä metalliesineistä, jotka voivat oikosulkea akun koskettimet.** Akkukoskettimien välinen oikosulku saattaa aiheuttaa palovammoja tai johtaa tulipaloon.
- d) **Väärästä käytöstä johtuen saattaa akusta vuotaa nestettä, jota ei tule koskettaa. Jos nestettä vahingossa joutuu iholle, huuhtelee kosketuskohta vedellä. Jos nestettä pääsee silmiin, tarvitaan tämän lisäksi lääkärin apua.** Akusta vuotava neste saattaa aiheuttaa ärsytystä ja palovammoja.
- e) **Älä käytä akkua tai työkalua, joka on vioittunut tai johon on tehty muutoksia.** Jos akut ovat vioittuneet tai niihin on tehty muutoksia, ne voivat toimia ennalta arvaamattomasti ja aiheuttaa tulipalon, räjähdyksen tai loukkaantumisvaaran.
- f) **Älä altista akkua tai työkalua tulelle tai äärimmäisille lämpötiloille.** Tullelle tai yli 130°C asteen lämpötilalle altistaminen saattaa aiheuttaa räjähdyksen.
- g) **Noudata latausohjeita ja lataa akku tai työkalu ohjeenmukaisen lämpötila-alueen rajoissa.** Lataaminen virheellisesti tai ohjeiden vastaisessa lämpötilassa saattaa vaurioittaa akkua ja lisätä palovaaraa.
- 6) HUOLTO**
- a) **Anna koulutettujen ammattihenkilöiden korjata sähkötyökaluja ja hyväksy korjauksiin vain alkuperäisiä varaosia.** Täten varmistat, että sähkötyökalu säilyy turvallisena.
- b) **Älä missään tapauksessa yritä itse korjata vaurioituneita akkuja.** Akkuja saa korjata vain valmistaja tai valtuutettu huoltopiste.

## AKKUISKURUUVINVÄÄNTIMEN TURVALLISUUSOHJEET

- **Tartu sähkötyökaluun ainoastaan eristetyistä pinnoista, tehdeksi työtä, jossa ruuvi saattaisi osua piilossa olevaan sähköjohtoon** (kosketus jännitteeseen johtoon voi saattaa sähkötyökalun metalliosat jännitteisiksi ja johtaa sähköiskuun)

### YLEISTÄ

- Materiaaleista, kuten lyijypitoinen maali, jotkut puulajit, mineraalit ja metalli, tuleva pöly voi olla vahingollista (kosketuksiin joutuminen pölyn kanssa tai sen sisään hengittäminen voi aiheuttaa käyttäjälle tai sivustakatojille allergiareaktioita ja/tai hengitysvairoja); **käytä pölynaamaria ja työskentele pölynpoistolaitteen kanssa, kun sellainen on liitettävissä**
- Tietyn tyyppiset pölyt on luokiteltu karsinogeenisiksi (kuten tammii- ja pyökkipöly) erityisesti puun käsittelyyn käytettävien lisäaineiden yhteydessä; **käytä pölynaamaria ja työskentele pölynpoistolaitteen kanssa, kun sellainen on liitettävissä**
- Noudata maakohtaisia pölyyn liittyviä sääntöjä
- **Älä koskaan työstä asbestipitoista ainetta** (asbestia pidetään karsinogeenisena)
- Varmista, että kytkin B ② on keskellä (lukitus)asennossa, ennen kuin suoritat säätöjä, vaihdat tarvikkeita tai siirrä koneen varastoitavaksi

## VARUSTEET

- SKIL pystyy takaamaan työkalun moitteettoman toiminnan vain, kun käytetään alkuperäisiä tarvikkeita
- Käytä vain tarvikkeita, joiden sallittu kierrosnumero on vähintään yhtä suuri kuin laitteen suurin tyhjäkäyntikierrosnumero

## ENNEN KÄYTTÖÄ

- Vältä vaaralliset vahingot, jotka voivat aiheutua nauloista, ruuveista tai muista aineista työstettävissä materiaalissa; poista ne ennen työskentely aloittamista
- **Kiinnitä työstettävä kappale** (kiinnittimeen tai puristimeen kiinnitetty työstettävä kappale pysyy tukevammin paikoillaan kuin käsin pidettäessä)
- **Käytä sopivia etsintälaitteita piilossa olevien syöttöjohtojen paikallistamiseksi, tai käänny paikallisen jakelu-yhtiön puoleen** (kosketus sähköjohtoon saattaa johtaa tulipaloon ja sähköiskuun; kaasuputken vahingoittaminen saattaa johtaa räjähdykseen; vesijohtoon tunkeutuminen aiheuttaa aineellista vahinkoa tai saattaa johtaa sähköiskuun)

## AKKU

- **Mukana toimitettu akku, jos sellainen on, toimitetaan osittain ladattuna** (varmistaa akun täysi kapasiteetti lataamalla se täyteen akkulaturissa, ennen kuin käytät sähkötyökalua ensimmäistä kertaa)
- **Käytä tämän työkalun yhteydessä vain seuraavia akkuja ja latureita**
  - SKIL-akku: BR1\*31\*\*\*\*
  - SKIL-laturi: CR1\*31\*\*\*\*
- Älä käytä vahingoittunutta akkua, vaan vaihda se välittömästi
- Älä pura akkua
- Suojele konettasi/akkua sateelta
- Sallittu ympäristön lämpötila (työkalu/latauslaite/akku):
  - ladattaessa 4...40°C
  - käytössä -20...+50°C
  - varastoinnissa -20...+50°C

## TYÖKALUN/AKUN SYMBOLIEN SELITYKSET

- ③ Lue käyttöohjeet ennen käyttöä
- ④ Akut räjähtävät, jos ne hävitetään polttamalla, joten älä missään tapauksessa polta niitä
- ⑤ Säilytä konettasi/latauslaitetta/akkua paikoissa, joissa lämpötila ei nouse yli 50°C
- ⑥ Älä hävitä sähkötyökalua ja paristoja tavallisen kotitalousjätteen mukana

## KÄYTTÖ

- Käynnistys ja nopeudensäätö samalla kytkimellä A ⑦
  - valitse nopeus portaattomasti nollasta maksiminopeuteen painamalla enemmän tai vähemmän kytkintä A ⑧
- Akun lataus
- **! lue laturin mukana toimitetut varoitukset ja ohjeet**
- Akun poistaminen/asentaminen ②
- Akun lataustilan merkkivalo ⑨
  - paina akun varaustilan painiketta G akun senhetkisen varauksen esittämiseksi ⑨g
  - **! jos varaustilan ilmaisimen alin taso alkaa vilkkua, kun olet painanut painiketta G ⑨b, akku on tyhjä**
  - **! jos varaustilan ilmaisimen 2 tasoa alkaa vilkkua, kun olet painanut painiketta G ⑨c, akku ei ole sallitulla käyttölämpötila-alueella**
- Akun suojaus  
Työkalu kytkeytyy äkillisesti pois päältä tai sen päälle

kytkeminen estetään, jos

- **kuormitus on liian suuri** --> poista kuorma ja käynnistä työkalu uudestaan
- **akun lämpötila ei ole sallittua käyttölämpötila-alueella -20...+50 °C** --> varaustilan ilmaisimen 2 tasoa alkaa vilkkua, kun painat painiketta G <sup>9</sup>c - odota kunnes akku on palautunut sallitulle käyttölämpötila-alueelle
- **akku on lähes tyhjä (sen suojaamiseksi syväpurkaukselta)** --> varaustilan ilmaisimessa näkyy matala varaustila tai vilkkuva matala varaustila <sup>9</sup>b, kun painat painiketta G - lataa akku
- ! **älä paina käynnistyskytkintä sen jälkeen, kun työkalu on kytkettyntyn pois päältä automaattisesti; akku voi vahingoittua**
- LED-valo <sup>10</sup>  
LED-valo syttyy automaattisesti, kun virtakytkin aktivoidaan  
! **kun LED-valo alkaa vilkkua, akun suojaus on aktivoitunut (katso edellä)**
- Kärkien asennus ja irrotus  
- asenna kärki vetämällä lukitusholkki C eteenpäin, työntä kärki kärjenpitimen loppuun saakka ja lukitse kärki vapauttamalla lukitusholkki C. (<sup>11</sup>a <sup>11</sup>b <sup>11</sup>c)  
! **vedä kärkeä eteenpäin tarkistaaksesi, että se on lukittunut (<sup>11</sup>d)**  
- irrota kärki vetämällä lukitusholkkia C eteenpäin  
! **käytä vain pallosalvalla varustettuja kärkiä, muita kärkiä voidaan käyttää yleiskärjenpitimen kanssa, jossa on pallosalpa**  
! **älä käytä kärkiä, joiden varsi on vahingoittunut**
- Pyörintäsuunnan vaihto <sup>12</sup>  
- jos säätöä ei ole oikein asetettu vasen/oikea -asentoon, kytkintä A <sup>2</sup> ei voi käynnistää  
! **muuta pyörintäsuuntaa vain kun työkalu on täysin pysäytettyinä**
- Tilan valinta <sup>13</sup>  
- paina nopeuspainiketta E valitaksesi haluamasi kiristys- tai löysäystilan, kun työkalu on asetettu pyörimään eteen- tai taaksepäin:  
**Hidas tila (L) <sup>13</sup>a**  
- kiristää tai löysää vähemmällä voimalla ja pienemmällä nopeudella  
- pienemmille ruuveille  
**Nopea tila (H) <sup>13</sup>b**  
- kiristys tai löysää suurella voimalla ja nopeudella  
- suurille ruuveille ja pulteille  
**Säätötila (nuoli) <sup>13</sup>c**  
- aloita hitaasti helpottaaksesi ruuvin painumista puuhun  
- automaattinen nopeuden lisäys, kun ruuvi on painunut puuhun  
- Pitkille ruuveille, etenkin PHILLIPS/POZIDRIV-ruuveille  
! **säätötila on käytettävissä vain laitteen pyöriessä eteenpäin; laitteen pyöriessä taaksepäin sitä käytetään keskinopeudelle**  
! **tiloja voidaan vaihtaa vain, kun ensin on painettu kevyesti virtakatkaisinta (vihreät LED-valot palavat) ja kun työkalu on täysin pysähdyksissä**
- Koneen pitäminen ja ohjaaminen <sup>14</sup>  
! **pidä työkalusta kiinni aina työskentelyn aikana harmaan värisestä kädensija(oi)sta**  
- pidä ilmanvaihto-aukkoja D <sup>2</sup> peittämättöminä  
- älä paina työkalua liian voimakkaasti; vaan anna

työkalun tehdä työ puolestasi

## VINKKEJÄ

- Käytä oikeantyyppisiä kärkiä
- Kun ruuvi väännetään lähelle puun reunaa, pitää porata esireikä ruuvia varten, jotta estetään puun halkeaminen
- Väännettäessä ruuveja kovaan puuhun tulee ensin porata esireikä
- Kun kiristät ruuvia, älä kiristä liikaa. Iskuvääntimen voima voi rikkoa kiinnittimen. Pidä työkalu kohdakkain ruuvin kanssa, jotta kiinnittimen pää ei vaurioiduu.
- Vääntömomentti riippuu iskun kestosta. Suurin vääntömomentti saavutetaan sen jälkeen, kun iskun kesto on 6–10 sekuntia.  
! **Tarkista kiristysmomentti aina momenttiavaimella**
- Jotta laitteesta saataisiin mahdollisimman suuri hyöty, pulttia on painettava tasaisesti, varsinkin poistettaessa kiinnittintä.
- Lisätietoja on osoitteessa [www.skil.com](http://www.skil.com)

## HOITO / HUOLTO

- Pidä työkalu puhtaana (varmista erityisesti ilma-aukkojen puhtaus D <sup>2</sup>)  
! **poista akku työkalusta ennen puhdistusta**
- Jos sähkötyökalussa, huolellisesta valmistuksesta ja koestusmenettelystä huolimatta esiintyy vikaa, tulee korjaus antaa SKIL sopimushuollon tehtäväksi  
- toimita työkalu sitä osiin **purkamatta** lähimpään SKIL-huoltoon (osoitteet ja työkalun huoltokaava ovat tarjolla web-osoitteessa [www.skil.com](http://www.skil.com)) ostotodiste mukaan liitettynä
- Ota huomioon, että takuu ei kata työkalun ylikuormituksesta tai väärästä käsittelystä johtuvia vahinkoja (katso SKILin takuehdot osoitteesta [www.skil.com](http://www.skil.com) tai kysy jälleenmyyjältä)

## YMPÄRISTÖNSUOJELU

- **Älä hävitä sähkötyökalua, paristoja, tarvikkeita tai pakkausta tavallisen kotitalousjätteen mukana** (koskee vain EU-maita)  
- vanhoja sähkö- ja elektroniikkalaitteita koskevan EU-direktiivin 2012/19/ETY ja sen maakohtaisten sovellusten mukaisesti käytetyt sähkötyökalut on toimitettava ongelmajätteen keräyspisteeseen ja ohjattava ympäristöystävälliseen kierrätykseen  
- symboli <sup>6</sup> muistuttaa tästä, kun käytöstä poisto tulee ajankohtaiseksi  
! **poistaessasi akun käytöstä peitä plus- ja miinusnapa sähköteipillä oikosulun estämiseksi**

## MELU / TÄRINÄ

- Tämän työkalun standardin EN 62841 mukaisesti mitattu äänenpainotaso on 78 dB(A) ja äänenvoimakkuus 86 dB(A) (epävarmuus K = 3 dB), ja tärinä <2,5 m/s<sup>2</sup>\* (triax-vektorisumma, epävarmuus K = 1,5 m/s<sup>2</sup>)
- Tärinäsäteilytaso on mitattu standardin EN 62841 mukaisen standarditestin mukaisesti; sitä voidaan käyttää verrattaessa yhtä laitetta toiseen sekä alustavana tärinälle altistumisen arviona käytettäessä laitetta manituissa käyttötarikoituksissa  
- laitteen käyttö eri käyttötarikoituksiin tai erilaisten tai huonosti ylläpidettyjen lisälaitteiden kanssa voi **lisätä**

merkittävästi altistumistasoa

- laitteen ollessa sammuksissa tai kun se on käynnissä, mutta sillä ei tehdä työtä, altistumistaso voi olla huomattavasti **pienempi**

! **suojaudu tärinän vaikutuksilta ylläpitämällä laite ja sen lisävarusteet, pitämällä kädet lämpiminä ja järjestämällä työmenetelmät**

E

## Atornilladora de impacto sin cable ni escobillas

3211

### INTRODUCCIÓN

- Esta herramienta está concebida para atornillar y desatornillar tornillos y pernos
  - Compruebe si el envase contiene todas las piezas que se muestran en la imagen ②
  - Si falta alguna pieza o está dañada, póngase en contacto con su distribuidor
- Lea y conserve este manual de instrucciones ③
  - **Preste mucha atención a las instrucciones y advertencias de seguridad; en caso contrario pueden producirse lesiones graves**

### DATOS TÉCNICOS ①

Par de giro máx. en unión atornillada rígida según ISO 5393 : 250Nm

### ELEMENTOS DE LA HERRAMIENTA ②

- A Interruptor para encendido/apagado y control de velocidad
- B Interruptor para invertir la dirección de giro
- C Casquillo de bloqueo
- D Ranuras de ventilación
- E Botón de velocidad
- F Luz LED
- G Indicador del nivel de carga de la batería
- H punta de destornillador de 50 mm

### SEGURIDAD

#### ADVERTENCIAS DE PELIGRO GENERALES PARA HERRAMIENTAS ELÉCTRICAS

**⚠ ADVERTENCIA** Lea todas las advertencias de seguridad, instrucciones, ilustraciones y especificaciones entregadas con esta herramienta eléctrica. El incumplimiento de alguna de las instrucciones que figuran a continuación puede ser causa de descargas eléctricas, incendios o lesiones graves.

**Guardar todas las advertencias de peligro e instrucciones para futuras consultas.**

El término "herramienta eléctrica" empleado en las siguientes advertencias de peligro se refiere a herramientas eléctricas de conexión a la red (con cable de red) y a herramientas eléctricas accionadas por acumulador (o sea, sin cable de red).

#### 1) SEGURIDAD DEL PUESTO DE TRABAJO

- a) **Mantenga limpia y bien iluminada su área de trabajo.** El desorden o una iluminación deficiente en las áreas de trabajo pueden provocar accidentes.
- b) **No utilice la herramienta eléctrica en un entorno con peligro de explosión, en el que se encuentren combustibles líquidos, gases o material en polvo.** Las herramientas eléctricas producen chispas que pueden llegar a inflamar los materiales en polvo o vapores.
- c) **Mantenga alejados a los niños y otras personas de su área de trabajo al emplear la herramienta eléctrica.** Una distracción le puede hacer perder el control sobre la herramienta.

#### 2) SEGURIDAD ELÉCTRICA

- a) **El enchufe de la herramienta eléctrica debe corresponder a la toma de corriente utilizada. No es admisible modificar el enchufe en forma alguna. No emplear adaptadores en herramientas eléctricas dotadas con una toma de tierra.** Los enchufes sin modificar adecuados a las respectivas tomas de corriente reducen el riesgo de una descarga eléctrica.
- b) **Evite que su cuerpo toque partes conectadas a tierra como tuberías, radiadores, cocinas y refrigeradores.** El riesgo a quedar expuesto a una descarga eléctrica es mayor si su cuerpo tiene contacto con tomas de tierra.
- c) **No exponga las herramientas eléctricas a la lluvia o a condiciones de humedad.** Existe el peligro de recibir una descarga eléctrica si penetran líquidos en la herramienta eléctrica.
- d) **No utilice el cable de red para transportar o colgar la herramienta eléctrica, ni tire de él para sacar el enchufe de la toma de corriente. Mantenga el cable de red alejado del calor, aceite, esquinas cortantes o piezas móviles.** Los cables de red dañados o enredados pueden provocar una descarga eléctrica.
- e) **Al trabajar con la herramienta eléctrica en la intemperie utilice solamente cables de prolongación homologados para su uso en exteriores.** La utilización de un cable de prolongación adecuado para su uso en exteriores reduce el riesgo de una descarga eléctrica.
- f) **Si el funcionamiento de una herramienta eléctrica en un lugar húmedo fuese inevitable, utilice un cortacircuito de fuga a tierra.** El uso de un cortacircuito de fuga a tierra reduce el riesgo de descarga eléctrica.

#### 3) SEGURIDAD DE PERSONAS

- a) **Esté atento y emplee la herramienta eléctrica con prudencia. No utilice la herramienta eléctrica si estuviese cansado, ni bajo los efectos de alcohol, drogas o medicamentos.** El no estar atento durante el uso de una herramienta eléctrica puede provocarle serias lesiones.
- b) **Utilice un equipo de protección personal y en todo caso unas gafas de protección.** El riesgo a lesionarse se reduce considerablemente si, dependiendo del tipo y la aplicación de la herramienta eléctrica empleada, se utiliza un equipo de protección adecuado como una mascarilla antipolvo, zapatos de seguridad con suela antideslizante, casco, o protectores auditivos.
- c) **Evite una puesta en marcha fortuita. Asegurarse**

- de que la herramienta eléctrica esté desconectada antes de conectarla a la toma de corriente y/o al montar el acumulador, al recogerla, y al transportarla. Si transporta la herramienta eléctrica sujetándola por el interruptor de conexión/desconexión, o si introduce el enchufe en la toma de corriente con la herramienta eléctrica conectada, ello puede dar lugar a un accidente.
- d) **Retire las herramientas de ajuste o llaves fijas antes de conectar la herramienta eléctrica.** Una herramienta o llave colocada en una pieza rotativa puede producir lesiones graves al accionar la herramienta eléctrica.
  - e) **Sea precavido. Trabaje sobre una base firme y mantenga el equilibrio en todo momento.** Ello le permitirá controlar mejor la herramienta eléctrica en caso de presentarse una situación inesperada.
  - f) **Lleve puesta una vestimenta de trabajo adecuada. No utilice vestimenta amplia ni joyas. Mantenga su pelo y vestimenta alejados de las piezas móviles.** La vestimenta suelta, las joyas y el pelo largo se pueden enganchar con las piezas en movimiento.
  - g) **Siempre que sea posible utilizar equipos de aspiración o captación de polvo, asegúrese que éstos estén montados y que sean utilizados correctamente.** El empleo de estos equipos reduce los riesgos derivados del polvo.
  - h) **No permita que la familiaridad ganada por el uso frecuente de la herramienta eléctrica lo deje creerse seguro e ignorar las normas de seguridad.** Una acción negligente puede causar lesiones graves en una fracción de segundo.
- 4) CUIDADO Y UTILIZACIÓN DE HERRAMIENTAS ELÉCTRICAS**
- a) **No sobrecargue la herramienta eléctrica. Use la herramienta eléctrica prevista para el trabajo a realizar.** Con la herramienta eléctrica adecuada podrá trabajar mejor y con mayor seguridad dentro del margen de potencia indicado.
  - b) **No utilice herramientas eléctricas con un interruptor defectuoso.** Las herramientas eléctricas que no se puedan conectar o desconectar son peligrosas y deben repararse.
  - c) **Saque el enchufe de la red y/o retire el acumulador desmontable de la herramienta eléctrica, antes de realizar un ajuste, cambiar de accesorio o al guardar la herramienta eléctrica.** Esta medida preventiva reduce el riesgo de conectar accidentalmente la herramienta eléctrica.
  - d) **Guarde las herramientas eléctricas fuera del alcance de los niños y de las personas que no estén familiarizadas con su uso.** Las herramientas eléctricas utilizadas por personas inexpertas son peligrosas.
  - e) **Cuide la herramienta eléctrica y los accesorios con esmero. Controle si funcionan correctamente, sin atascarse, las partes móviles de la herramienta eléctrica, y si existen partes rotas o deterioradas que pudieran afectar al funcionamiento de la herramienta eléctrica. Si la herramienta eléctrica estuviese defectuosa haga repararla antes de volver a utilizarla.** Muchos de los accidentes se deben a herramientas eléctricas con un mantenimiento deficiente.
  - f) **Mantenga los útiles limpios y afilados.** Los útiles mantenidos correctamente se dejan guiar y controlar

- mejor.
- g) **Utilice herramientas eléctricas, accesorios, útiles, etc. de acuerdo con estas instrucciones, teniendo en cuenta las condiciones de trabajo y la tarea a realizar.** El uso de herramientas eléctricas para trabajos diferentes de aquellos para los que han sido concebidas puede resultar peligroso.
  - h) **Mantenga las empuñaduras y las superficies de las empuñaduras secas, limpias y libres de aceite y grasa.** Las empuñaduras y las superficies de las empuñaduras resbaladizas no permiten un manejo y control seguro de la herramienta eléctrica en situaciones imprevisibles.
- 5) CUIDADO Y UTILIZACIÓN DE HERRAMIENTAS ACCIONADAS POR ACUMULADOR**
- a) **Cargue los acumuladores únicamente con los cargadores recomendados por el fabricante.** Existe riesgo de incendio al intentar cargar acumuladores de un tipo diferente al previsto para el cargador.
  - b) **Emplee únicamente los acumuladores previstos para la herramienta eléctrica.** El uso de otro tipo de acumuladores puede provocar daños e incluso un incendio.
  - c) **Si no utiliza el acumulador, guárdelo separado de clips, monedas, llaves, clavos, tornillos o demás objetos metálicos que pudieran puentear sus contactos.** El cortocircuito de los contactos del acumulador puede causar quemaduras o un incendio.
  - d) **La utilización inadecuada del acumulador puede provocar fugas de líquido. Evite el contacto con él. En caso de un contacto accidental enjuagar el área afectada con abundante agua. En caso de un contacto con los ojos recurra además inmediatamente a un médico.** El líquido del acumulador puede irritar la piel o producir quemaduras.
  - e) **No emplee acumuladores o útiles dañados o modificados.** Los acumuladores dañados o modificados pueden comportarse en forma imprevisible y producir un fuego, explosión o peligro de lesión.
  - f) **No exponga un acumulador o una herramienta eléctrica al fuego o a una temperatura demasiado alta.** La exposición al fuego o a temperatura sobre 130°C puede causar una explosión.
  - g) **Siga todas las instrucciones para la carga y no cargue nunca el acumulador o la herramienta eléctrica a una temperatura fuera del margen correspondiente especificado en las instrucciones.** Una carga inadecuada o a temperaturas fuera del margen especificado puede dañar el acumulador y aumentar el riesgo de incendio.
- 6) SERVICIO**
- a) **Únicamente haga reparar su herramienta eléctrica por un profesional, empleando exclusivamente piezas de repuesto originales.** Solamente así se mantiene la seguridad de la herramienta eléctrica.
  - b) **No repare los acumuladores dañados.** El entretenimiento de los acumuladores sólo debe ser realizado por el fabricante o un servicio técnico autorizado.

**INSTRUCCIONES DE SEGURIDAD PARA ATORNILLADORES DE IMPACTO A BATERIA**

- **Sujete la herramienta eléctrica por las superficies de agarre aisladas al realizar trabajos en los que la fijación pueda tocar conductores eléctricos ocultos** (el contacto de las fijaciones con conductores bajo tensión puede hacer que las partes metálicas de la herramienta eléctrica pasen a estar en tensión y provoquen una descarga eléctrica)

#### GENERAL

- El polvo del material, como la pintura que contiene plomo, algunas especies de madera, minerales y metal podrían ser dañinos (el contacto o inhalación del polvo podría producir reacciones alérgicas y trastornos respiratorios al operador o a otras personas que se encontrasen en la zona); **utilice una máscara contra el polvo y trabaje con un dispositivo de extracción de polvo cuando lo conecte**
- Ciertos tipos de polvo están catalogados como cancerígenos (por ejemplo el polvo de roble y de haya) especialmente junto con aditivos para el acondicionamiento de la madera; **utilice una máscara contra el polvo y trabaje con un dispositivo de extracción de polvo cuando lo conecte**
- Siga la normativa nacional en cuanto a extracción de polvo, en función de los materiales que vayan a ser utilizados
- **No trabaje materiales que contengan amianto** (el amianto es cancerígeno)
- Cerciorarse de que el interruptor B ② está en la posición central (posición de bloqueo) antes de realizar ajustes en la herramienta o un cambio de accesorios así como para el transporte o para guardar la herramienta

#### ACCESORIOS

- SKIL únicamente puede garantizar un funcionamiento correcto de la herramienta al emplear accesorios originales
- Utilice únicamente accesorios cuyo límite de revoluciones permitido sea como mínimo igual a las revoluciones en vacío máximas de la herramienta

#### ANTES DEL USO

- Evite los daños que puedan causar los tornillos, clavos y otros objetos sobre la pieza de trabajo; retírelos antes de empezar a trabajar
- **Asegure la pieza de trabajo** (una pieza de trabajo fijada con unos dispositivos de sujeción o en un tornillo de banco, se mantiene sujeta de forma mucho más segura que con la mano)
- **Utilice aparatos de detección adecuados para localizar posibles conductores o tuberías ocultas, o consulte a su compañía abastecedora** (el contacto con conductores eléctricos puede provocar una descarga eléctrica e incluso un incendio; al dañar una tubería de gas puede producirse una explosión; la perforación de una tubería de agua pueden causar daños materiales o una descarga eléctrica)

#### BATERÍAS

- **Si se entrega una batería, está parcialmente cargada** (para garantizar la capacidad total de la batería cárguela completamente en el cargador antes de utilizar por primera vez la herramienta eléctrica)
- **Utilice únicamente los siguientes cargadores y baterías con esta herramienta**
  - Batería SKIL: BR1\*31\*\*\*\*
  - Cargador SKIL: CR1\*31\*\*\*\*
- Nunca utilice la batería estropeada; debe de ser cambiada inmediatamente

- No desarme la batería
- No exponga la herramienta/batería a la lluvia
- Temperatura ambiente permitida (herramienta/cargador/batería):
  - durante la carga 4...40°C
  - durante el servicio -20...+50°C
  - durante el almacenamiento -20...+50°C

#### EXPLICACIÓN DE SÍMBOLOS DE HERRAMIENTA/BATERÍA

- ③ Lea el manual de instrucciones antes de utilizarla
- ④ Las baterías estallarán si se tiran al fuego, por ningún motivo caliente las baterías
- ⑤ Guarde la herramienta/cargador/batería en un lugar donde la temperatura no exceda los 50°C
- ⑥ No deseche las herramientas eléctricas y las pilas junto con los residuos domésticos

#### USO

- Interruptor combinado on/off y control de velocidad A ⑦
  - controla la velocidad acelerando de 0 hasta la máxima, apretando el gatillo acelerador A ⑧
- Recargue de la batería
  - ! lea las instrucciones y la advertencias de seguridad entregadas con el cargador**
- Extracción/instalación de la batería ②
- Indicador del nivel de batería ⑨
  - pulse el botón indicador de nivel de la batería G para mostrar el nivel actual de carga ⑨h
  - ! cuando empieza a parpadear el nivel inferior del indicador de la batería al pulsar el botón G ⑨b, la batería está descargada**
  - ! cuando los niveles 2 del indicador de la batería empiezan a parpadear al pulsar el botón G ⑨c, la batería no se encuentra dentro del rango admisible de temperaturas de funcionamiento**
- Protección de la batería
 

La herramienta se apaga inmediatamente, o se impide su encendido, cuando

  - **la carga es demasiado elevada** --> retire la carga y vuelva a poner en marcha
  - **la temperatura de la batería no se encuentra dentro del rango admisible de temperaturas de funcionamiento entre -20 °C y +50 °C** --> los niveles 2 del indicador de nivel de la batería comienzan a parpadear al pulsar el botón G ⑨c; espere a que la batería vuelva a estar dentro del rango admisible de temperaturas de funcionamiento
  - **la batería está casi descargada (como protección frente a una descarga intensa)** --> el indicador de nivel de la batería señala un nivel bajo de carga o un nivel bajo de carga intermitente ⑨b al pulsar el botón G; cargue la batería
  - ! no continúe pulsando el interruptor de encendido después de que se apague automáticamente la herramienta; se puede dañar la batería**
- Luz LED ⑩
 

El indicador LED se enciende automáticamente cuando se activa el interruptor de encendido/apagado.

  - ! Cuando el indicador LED empieza a parpadear, está activada la protección de la batería (ver arriba)**
- Instalación y extracción de puntas
  - Para instalar una punta, tire del mango de

bloqueo C hacia delante, introduzca la punta en el portaherramientas y suelte el manguito de bloqueo C para que la punta quede bloqueada. (11a 11b 11c)

**! Tire de la punta hacia delante para comprobar si está bloqueada (11d)**

- Para sacar una punta, tire del manguito de bloqueo C hacia delante

**! utilice exclusivamente puntas con cierre de bola, se pueden utilizar otras puntas con un portaherramientas universal con cierre de bola**

**! no utilice puntas que tengan el vástago deteriorado**

- Inversión de la dirección de giro (12)
  - si el inversor de giro no está adecuadamente colocado en la posición izquierda/derecha, el interruptor A (2) no podrá ser activado

**! sólo invierta la dirección de giro cuando la herramienta esté completamente parada**

- Selección de modo (13)
  - Pulse el botón de velocidad E para seleccionar el modo apretar o aflojar deseado cuando la herramienta esté configurada para girar hacia adelante o a la inversa::

**Modo de baja velocidad (L) (13a)**

- Apretar o aflojar con menos fuerza y baja velocidad  
- para tornillos más pequeños

**Modo de alta velocidad (H) (13b)**

- apriete o aflojar con mucha fuerza y velocidad  
- para tornillos y pernos grandes

**Modo de control (flecha) (13c)**

- empiece despacio para facilitar la inserción del tornillo en la madera

- incrementando la velocidad automáticamente cuando el tornillo esté plantado en su posición

- para tornillos grandes, especialmente los PHILLIPS/POZIDRIV

**! el modo de control solo está disponible con giro hacia delante; el giro inverso se utiliza con velocidad media**

**! solo se puede cambiar de modo después de presionar ligeramente el interruptor de conexión/desconexión (los indicadores luminosos verdes se encienden) y cuando la herramienta está en posición de reposo total**

- Sujeción y manejo de la herramienta (14)
  - ! durante el trabajo, sujete siempre la herramienta por la(s) zona(s) de empuñadura de color gris**
  - mantenga las ranuras de ventilación D (2) descubiertas
  - no ejerza demasiada presión en la herramienta; deje que la herramienta haga su trabajo

## CONSEJOS DE APLICACIÓN

- Utilice las brocas adecuadas
- Taladrar de antemano un agujero para poder atornillar en/cerca o al lado de la madera para prevenir la rotura de ésta
- Cuando atornille en madera dura realice un pequeño agujero previamente
- Al apretar un tornillo, no apriete demasiado, ya que la fuerza del atornillador de impacto puede romper el elemento de sujeción. Sostenga la herramienta alineada con el tornillo para evitar daños en la cabeza del elemento de sujeción.
- El par depende de la duración del impacto. El par

máximo se alcanza después de una duración del impacto de 6-10 segundos.

**! Compruebe siempre el par de apriete con un atornillador dinamométrico**

- Para un uso óptimo de la herramienta se requiere una presión constante sobre el tornillo, especialmente al quitar un elemento de sujeción.
- Si desea más información, visite [www.skil.com](http://www.skil.com)

## MANTENIMIENTO / SERVICIO

- Mantenga siempre limpia la herramienta (sobre todo las ranuras de ventilación D (2))
  - ! extraiga la batería de la herramienta antes de la limpieza**
- Si a pesar de los esmerados procesos de fabricación y control, la herramienta llegase a averiarse, la reparación deberá encargarse a un servicio técnico autorizado para herramientas eléctricas SKIL
  - envíe la herramienta **sin desmontar** junto con una prueba de su compra a su distribuidor o a la estación de servicio más cercana de SKIL (los nombres así como el despiece de piezas de la herramienta figuran en [www.skil.com](http://www.skil.com))
- Tenga presente que los daños debido a sobrecargas o al manejo inadecuado de la herramienta serán excluidos de la garantía (consulte las condiciones de garantía de SKIL en [www.skil.com](http://www.skil.com) o consulte a su distribuidor)

## AMBIENTE

- **No deseche las herramientas eléctricas, las pilas, los accesorios y embalajes junto con los residuos domésticos** (sólo para países de la Unión Europea)
  - de conformidad con la Directiva Europea 2012/19/CE sobre residuos de aparatos eléctricos y electrónicos y su aplicación de acuerdo con la legislación nacional, las herramientas eléctricas cuya vida útil haya llegado a su fin se deberán recoger por separado y trasladar a una planta de reciclaje que cumpla con las exigencias ecológicas
  - símbolo (6) llamará su atención en caso de necesidad de tirarlas
- ! es prioritario disponer de terminales protectores de baterías para evitar un corto circuito**

## RUIDOS / VIBRACIONES

- Realizando mediciones según EN 62841, el nivel de presión acústica de esta herramienta es 78 dB(A) y el nivel de potencia acústica es de 86 dB(A) (incertidumbre K = 3 dB), y la vibración <math>2,5 \text{ m/s}^2</math> suma vectorial triaxial; incertidumbre K = 1,5  $\text{m/s}^2$ )
- El nivel de emisión de vibraciones ha sido medido según una prueba estándar proporcionada en EN 62841; puede utilizarse para comparar una herramienta con otra y como valoración preliminar de la exposición a las vibraciones al utilizar la herramienta con las aplicaciones mencionadas
  - al utilizarla para distintas aplicaciones o con accesorios diferentes o con un mantenimiento deficiente, podría **aumentar** de forma notable el nivel de exposición
  - en las ocasiones en que se apaga la herramienta o cuando está funcionando pero no está realizando ningún trabajo, se podría **reducir** el nivel de exposición



de forma importante

- ! protéjase contra los efectos de la vibración realizando el mantenimiento de la herramienta y sus accesorios, manteniendo sus manos calientes y organizando sus patrones de trabajo**



P

## Aparafusadora sem fios e sem escovas 3211

### INTRODUÇÃO

- Esta ferramenta serve para aparafusar e desaparafusar parafusos
  - Verifique se a caixa contém todas as peças ilustradas na imagem ②.
  - Se houver peças em falta ou danificadas, contacte o seu revendedor.
- Leia e guarde este manual de instruções ③.
  - **Preste especial atenção às instruções de segurança e avisos. Se não os seguir, pode sofrer ferimentos sérios.**

### DADOS TÉCNICOS ①

Máx. binário de aparafusamento duro conforme ISO 5393 : 250Nm

### ELEMENTOS DA FERRAMENTA ②

- A Interruptor para ligar/desligar e regulação da velocidade
- B Comutador para inverter o sentido da rotação
- C Manga de bloqueio
- D Aberturas de ventilação
- E Botão da velocidade
- F Luz LED
- G Indicador do nível de carregamento da bateria
- H Cabeça de aperto de 50 mm

### SEGURANÇA

#### INDICAÇÕES GERAIS DE SEGURANÇA PARA FERRAMENTAS ELÉTRICAS

**AVISO** Leia todos os avisos de segurança, instruções, ilustrações e especificações fornecidas com esta ferramenta eléctrica. O incumprimento de todas as instruções enumeradas abaixo poderá resultar em choque eléctrico, incêndio e/ou lesão grave.

**Guarde bem todas as advertências e instruções para futura referência.**

O termo "ferramenta eléctrica" utilizado a seguir nas indicações de advertência, refere-se a ferramentas eléctricas operadas com corrente de rede (com cabo de rede) e a ferramentas eléctricas operadas com acumulador

(sem cabo de rede).

#### 1) SEGURANÇA DA ÁREA DE TRABALHO

- a) **Mantenha a sua área de trabalho limpa e arrumada.** Desordem ou áreas de trabalho com fraca iluminação podem causar acidentes.
- b) **Não trabalhar com a ferramenta eléctrica em áreas com risco de explosão, nas quais se encontrem líquidos, gases ou pós inflamáveis.** Ferramentas eléctricas produzem faíscas que podem provocar a ignição de pó e vapores.
- c) **Mantenha crianças e outras pessoas afastadas da ferramenta eléctrica durante o trabalho com a ferramenta.** Distracções podem causar a falta de controlo sobre o aparelho.

#### 2) SEGURANÇA ELÉTRICA

- a) **As fichas das ferramentas eléctricas devem caber na tomada. A ficha não deve ser modificada de modo algum. Não utilize quaisquer fichas de adaptação junto com ferramentas eléctricas ligadas à terra.** Fichas sem modificações e tomadas adequadas reduzem o risco de choques eléctricos.
- b) **Evite que o corpo entre em contacto com superfícies ligadas à terra, como por exemplo tubos, radiadores, fogões e geladeiras.** Há um risco elevado de choques eléctricos, caso o corpo for ligado à terra.
- c) **A ferramenta eléctrica não deve ser exposta à chuva nem humidade.** A penetração de água na ferramenta eléctrica aumenta o risco de choques eléctricos.
- d) **O cabo do aparelho não deve ser utilizado para o transporte, para pendurar o aparelho, nem para puxar a ficha da tomada. Mantenha o cabo afastado de calor, óleo, cantos afiados ou partes em movimento do aparelho.** Cabos danificados ou torcidos aumentam o risco de choques eléctricos.
- e) **Ao trabalhar com a ferramenta eléctrica ao ar livre, use um cabo de extensão apropriado para áreas externas.** O uso de um cabo apropriado para áreas externas reduz o risco de choques eléctricos.
- f) **Se não for possível evitar o funcionamento da ferramenta eléctrica em áreas húmidas, deverá ser utilizado um disjuntor de corrente de avaria.** A utilização de um disjuntor de corrente de avaria reduz o risco de um choque eléctrico.

#### 3) SEGURANÇA DE PESSOAS

- a) **Esteja alerta, observe o que está a fazer, e tenha prudência ao trabalhar com a ferramenta eléctrica.** Não use a ferramenta eléctrica se estiver fatigado ou sob a influência de drogas, álcool ou medicamentos. Um momento de falta de atenção durante a operação da ferramenta eléctrica pode causar graves lesões.
- b) **Utilizar equipamento de protecção pessoal e sempre óculos de protecção.** A utilização de equipamento de protecção pessoal, como máscara de protecção contra pó, sapatos de segurança antiderrapantes, capacete de segurança ou protecção auricular, de acordo com o tipo e aplicação da ferramenta eléctrica, reduz o risco de lesões.
- c) **Evitar uma colocação em funcionamento involuntária. Assegure-se de que a ferramenta eléctrica esteja desligada, antes de conectá-la à**

- alimentação de rede e/ou ao acumulador, antes de levantá-la ou de transportá-la. Se tiver o dedo no interruptor ao transportar a ferramenta eléctrica ou se o aparelho for conectado à alimentação de rede enquanto estiver ligado, poderão ocorrer acidentes.
- d) **Remover chaves de ajustes ou chaves de fenda, antes de ligar a ferramenta eléctrica.** Uma chave de fenda ou chave de ajuste que se encontre numa parte móvel do aparelho, pode levar a lesões.
- e) **Não se sobrestime. Mantenha uma posição firme e mantenha sempre o equilíbrio.** Desta forma poderá ser mais fácil controlar o aparelho em situações inesperadas.
- f) **Use roupa apropriada. Não use roupa larga ou jóias. Mantenha os cabelos e roupas afastados de partes em movimento.** Roupas largas, jóias ou cabelos longos podem ser agarradas por partes em movimento.
- g) **Se for prevista a montagem de dispositivos de aspiração de pó e de dispositivos de recolha, assegure-se de que estão conectados e que sejam utilizados de forma correcta.** A utilização de uma aspiração de pó pode reduzir o perigo devido ao pó.
- h) **Não deixe que a familiaridade resultante de uma utilização frequente de ferramentas permita que você se torne complacente e ignore os princípios de segurança da ferramenta.** Uma acção descuidada pode causar ferimentos graves numa fração de segundo.
- 4) USO E TRATAMENTO DE FERRAMENTAS ELÉTRICAS**
- a) **Não sobrecarregue a ferramenta eléctrica. Use para o seu trabalho a ferramenta eléctrica correcta.** A ferramenta correcta realizará o trabalho de forma melhor e mais segura dentro da faixa de potência indicada.
- b) **Não utilize a ferramenta eléctrica se o interruptor não puder ser ligado nem desligado.** Qualquer ferramenta eléctrica que não possa ser controlada através do interruptor de ligar-desligar, é perigosa e deve ser reparada.
- c) **Puxar a ficha da tomada e/ou remover o acumulador, se amovível, antes de executar ajustes na ferramenta, de substituir acessórios ou de guardar a ferramenta.** Esta medida de segurança evita que a ferramenta eléctrica seja ligada acidentalmente.
- d) **Guarde ferramentas eléctricas que não estiverem sendo utilizadas, for a do alcance de crianças. Não permita que o aparelho seja utilizado por pessoas não familiarizadas com o mesmo ou que não tenham lido estas instruções.** Ferramentas eléctricas são perigosas nas mãos de pessoas sem treinamento.
- e) **Trate a ferramenta eléctrica e os acessórios com cuidado. Verifique se as partes móveis do aparelho funcionam perfeitamente e não emperram, se há peças quebradas ou danificadas, que possam influenciar o funcionamento do aparelho. Peças danificadas devem ser reparadas antes da utilização do aparelho.** Muitos acidentes tem como causa uma manutenção insuficiente das ferramentas eléctricas.
- f) **Mantenha as ferramentas de corte sempre afiadas e limpas.** Ferramentas de cortes devidamente tratadas, com cantos afiados travam com menos frequência e podem ser controladas com maior facilidade.
- g) **Use a ferramenta eléctrica, os acessórios os bits da ferramenta etc., de acordo com estas instruções. Considere também as condições de trabalho e o trabalho a ser efectuado.** A utilização da ferramenta eléctrica para outros fins que os previstos, pode resultar em situações perigosas.
- h) **Mantenha os punhos e as superfícies de agarrar secas, limpas e livres de óleo e massa consistente.** Punhos e superfícies de agarrar escorregadias não permitem o manuseio e controlo seguros da ferramenta em situações inesperadas.
- 5) USO E TRATAMENTO DE APARELHOS COM ACUMULADOR**
- a) **Apenas deverá carregar em carregadores, acumuladores recomendados pelo fabricante.** Um carregador que é apropriado para um tipo de acumulador, pode causar um incêndio se se for utilizado para carregar outros acumuladores.
- b) **Apenas utilize nas ferramentas eléctricas os acumuladores previstos.** A utilização de outros acumuladores pode levar a lesões e riscos de incêndio.
- c) **Quando o acumulador não estiver em uso, mantenha-o afastado de outros objectos de metal, como por exemplo agrafos, moedas, chaves, pregos, parafusos, ou outros pequenos objectos metálicos que possam ligar em ponte os contactos.** Um curto circuito entre os contactos do acumulador pode causar queimaduras ou incêndio.
- d) **Aplicações inadequadas podem provocar fugas do líquido do acumulador. Evite o contacto com este líquido. No caso de um contacto accidental, lave imediatamente com água fresca. Se o líquido entrar em contacto com os olhos, procure um auxílio médico.** O líquido que escapa do acumulador pode levar a irritações ou queimaduras da pele.
- e) **Não use um acumulador ou uma ferramenta danificada ou modificada.** Os acumuladores danificados ou modificados exibem um comportamento imprevisível podendo causar incêndio, explosão ou risco de lesão.
- f) **Não exponha o acumulador ou a ferramenta ao fogo ou temperatura excessiva.** Exposição ao fogo ou a uma temperatura acima de 130°C pode causar explosão.
- g) **Siga todas as instruções de carregamento e não carregue o acumulador ou a ferramenta fora da faixa de temperatura especificada no manual de instruções.** Carregar indevidamente ou em temperaturas fora da faixa especificada pode danificar o acumulador e aumentar o risco de incêndio.
- 6) SERVIÇO**
- a) **A sua ferramenta eléctrica só deve ser reparada por pessoal qualificado e só devem ser colocadas peças sobressalentes originais.** Desta forma é assegurada a segurança da ferramenta eléctrica.
- b) **Nunca tente reparar acumuladores danificados.** A reparação de acumuladores deve ser realizada apenas pelo fabricante ou agentes de assistência autorizados.
- INSTRUÇÕES DE SEGURANÇA DE APARAFUSADORA DE IMPACTO SEM FIO**
- **Segurar a ferramenta eléctrica pelas superfícies de punho isoladas ao executar trabalhos durante os quais a aparafusadora ou o parafuso possam**

**atingir cabos eléctricos escondidos** (o contacto com um cabo sob tensão também pode colocar sob tensão as peças metálicas da ferramenta e levar a um choque eléctrico)

#### GENERAL

- O pó do material, como tinta com chumbo, algumas espécies de madeira, minerais e metais, pode ser prejudicial (contacto ou inalação do pó pode provocar reacções alérgicas e/ou doenças respiratórias ao operador ou às pessoas presentes); **use máscara respiratória e trabalhe com um dispositivo de extracção de pó quando ligado a**
- Determinados tipos de pó são classificados como substâncias cancerígenas (como pó de carvalho e faia), em especial, juntamente com aditivos para acondicionamento da madeira; **use máscara respiratória e trabalhe com um dispositivo de extracção de pó quando ligado a**
- Siga o regulamento nacional quanto a extracção de pó, em função dos materiais que vão ser utilizados
- **Não processar material que contenha asbesto** (asbesto é considerado como sendo cancerígeno)
- Assegure-se que o comutador B ② está na posição intermédia (de bloqueado) antes de efectuar ajustes na ferramenta ou substituir acessórios assim como quando transportar ou armazenar a ferramenta

#### ACESSÓRIOS

- A SKIL só pode garantir um funcionamento perfeito da ferramenta, quando utilizada com os acessórios originais
- Utilize apenas acessórios com um número de rotação admissível no mínimo tão alto como o mais alto número de rotação em vazio da ferramenta

#### ANTES DA UTILIZAÇÃO

- Evite danificar a ferramenta em superfícies com pregos ou parafusos; remova-os antes de começar a trabalhar
- **Fixe a peça de trabalho** (uma peça de trabalho fixa com dispositivos de fixação ou num torno fica melhor fixa do que manualmente)
- **Utilizar detectores apropriados para detectar tubos e cabos de alimentação escondidos, ou consulte a firma de alimentação local** (o contacto com um cabo eléctrico pode levar a incêndio e choque eléctrico; a danificação de um cano de gás pode levar à explosão; a penetração de uma tubulação de água provoca danos materiais ou pode provocar um choque eléctrico)

#### BATERIAS

- **A bateria fornecida vem parcialmente carregada.** (para assegurar a capacidade total da bateria, carregue completamente a bateria no carregador antes de usar a sua ferramenta eléctrica pela primeira vez)
- **Utilize apenas as seguintes baterias e carregadores com esta ferramenta**
  - Bateria SKIL: BR1\*31\*\*\*\*
  - Carregador SKIL: CR1\*31\*\*\*\*
- Não utilize baterias danificadas; devem ser substituídas imediatamente
- Não desmonte a bateria
- Não exponha a ferramenta/bateria à chuva
- Temperatura ambiente permitida (ferramenta/carregador/bateria):
  - durante o carregamento 4...40°C
  - durante o funcionamento -20...+50°C
  - durante o armazenamento -20...+50°C

#### EXPLICAÇÃO DOS SÍMBOLOS DA FERRAMENTA/BATERIA

- ③ Leia o manual de instruções antes de utilizar o equipamento
- ④ As baterias explodirão quando colocadas num fogo, por isso, não queime as baterias por nenhum motivo
- ⑤ Guarde a ferramenta/carregador/bateria em locais onde a temperatura não exceda os 50°C
- ⑥ Não deite ferramentas eléctricas e pilhas no lixo doméstico

#### MANUSEAMENTO

- Interruptor combinado para ligar/desligar e controlo de velocidade A ⑦
- o controlo da velocidade é feito do zero até ao máximo possível, pressionando o gatilho A ⑧, para mais ou para menos velocidade
- Recarga da bateria

**! leia os avisos de segurança e as instruções fornecidos com o carregador**

- Remover/instalar a bateria ②
  - Indicador de nível da bateria ⑨
    - prima o botão do indicador de nível da bateria G para apresentar o nível actual da bateria ⑨i
- ! quando o nível mais baixo do indicador da bateria ficar intermitente depois de premir o botão G ⑨b, a bateria está vazia**
- ! quando os níveis 2 do indicador da bateria ficarem intermitentes depois de premir o botão G ⑨c, a bateria não está dentro do intervalo da temperatura de funcionamento permitido**

- Protecção da bateria  
A ferramenta desliga-se repentinamente ou não se liga quando
    - **a carga é muito elevada** --> retire carga e recomece
    - **a temperatura da bateria não está dentro do intervalo da temperatura de funcionamento de -20 a +50°C** --> Os níveis 2 do indicador do nível da bateria ficam intermitentes quando premir o botão G ⑨c; aguarde até a bateria voltar ao intervalo de temperatura de funcionamento permitido
    - **a bateria está quase vazia (para proteção contra uma descarga profunda)** --> um nível baixo da bateria ou um nível da bateria baixo intermitente ⑨b aparece através do indicador de nível da bateria quando prime o botão G; carregue a bateria
- ! não continue a premir o interruptor de ligar/desligar após a desactivação automática da ferramenta; pode danificar a bateria**

- Luz LED ⑩  
A luz LED liga-se automaticamente quando ativar o interruptor de ligar/desligar.  
**! Quando a luz LED começar a piscar, a proteção da bateria é ativada (consulte acima).**
  - Instalar e retirar cabeças de aperto
    - Para instalar uma cabeça de aperto, puxe a manga de fixação C para a frente, insira a cabeça de aperto no respetivo suporte e liberte a manga de fixação C para fixar a cabeça de aperto. (⑪a ⑪b ⑪c)
    - Puxe a cabeça de aperto para a frente para verificar se está fixada (⑪d)
    - Para retirar uma cabeça de aperto, puxe a manga de fixação C para a frente.
- ! Use apenas cabeças de aperto com fixador de bola. Outras cabeças de aperto podem ser usadas**

com um suporte universal para cabeças de aperto com fixador de bola.

**! Não use cabeças de aperto com o eixo danificado.**

- Inversão do sentido da rotação ⑫
  - quando não forem correctamente reguladas as posições esquerda/direita, o interruptor A ② não será accionado
- **! inverta o comutador do sentido de rotação apenas quando a ferramenta desligada**
- Seleção de modos ⑬
  - Prima o botão da velocidade E para seleccionar o modo de aperto ou de desaperto desejado quando a ferramenta estiver definida para a rotação para a frente ou para trás:

**Modo de baixa velocidade (L) ⑬a**

- Apertar ou desapertar com menos força e pouca velocidade
- para parafusos mais pequenos

**Modo de alta velocidade (H) ⑬b**

- Apertar ou desapertar com o máximo de força e velocidade
- para porcas e parafusos maiores

**Modo de controlo (Seta) ⑬c**

- comece lentamente para ajudar a colocar o parafuso na madeira
- aumento automático da velocidade quando o parafuso estiver colocado
- para parafusos longos, especialmente parafusos PHILLIPS/POZIDRIV

**! o modo de controlo só está disponível com o rotação progressiva; a rotação regressiva é utilizada para a velocidade média**

**! só pode alterar os modos depois de premir o botão de ligar/desligar (os LED verdes são ativados) e quando a ferramenta estiver completamente parada**

- Segurar e guiar a ferramenta ⑭
  - **! durante o trabalho, segure sempre a ferramenta na(s) área(s) de fixação cinzenta(s)**
  - mantenha as aberturas de ventilação D ② destapadas
  - não exerça demasiada pressão na ferramenta; deixe a ferramenta trabalhar espontaneamente

## CONSELHOS DE APLICAÇÃO

- Utilize as pontas apropriadas
- Quando apertar um parafuso num rebordo de madeira, ou perto dele, deverá primeiro perfurar, a fim de evitar que a madeira estale
- Quando enroscar um parafuso em madeira dura, deverá fazer primeiro um orifício piloto.
- Quando apertar um parafuso, não aperte excessivamente. A força da chave de impacto pode partir o fixador. Segure a ferramenta alinhada com o parafuso para evitar danificar a cabeça do fixador.
- O binário depende da duração de impacto. O binário máximo é obtido após uma duração do impacto de 6-10 segundos.
  - **! Verifique sempre o binário de aperto com uma chave dinamométrica**
- Para uma utilização ótima da ferramenta, tem de fazer uma pressão constante no parafuso, especialmente quando retirar um fixador.
- Para mais informações, consulte [www.skil.com](http://www.skil.com).

## MANUTENÇÃO / SERVIÇO

- Mantenha a ferramenta sempre limpa (especialmente as ranhuras de respiração D ②)
  - **! retire a bateria da ferramenta antes de limpar**
- Se a ferramenta falhar apesar de cuidadosos processos de fabricação e de teste, a reparação deverá ser executada por uma oficina de serviço autorizada para ferramentas eléctricas SKIL
  - envie a ferramenta **sem desmontar**, juntamente com a prova de compra, para o seu revendedor ou para o centro de assistência SKIL mais próximo (os endereços assim como a mapa de peças da ferramenta estão mencionados no [www.skil.com](http://www.skil.com))
- Não se esqueça de que os danos provocados por sobrecarga ou manuseamento incorreto da ferramenta estão excluídos da garantia (para mais informações sobre as condições da garantia da SKIL, consulte [www.skil.com](http://www.skil.com) ou pergunte ao seu revendedor)

## AMBIENTE

- **Não deite ferramentas eléctricas, pilhas, acessórios e embalagem no lixo doméstico** (apenas para países da UE)
  - de acordo com a directiva europeia 2012/19/CE sobre ferramentas eléctricas e electrónicas usadas e a transposição para as leis nacionais, as ferramentas eléctricas usadas devem ser recolhidas em separado e encaminhadas a uma instalação de reciclagem dos materiais ecológica
  - símbolo ⑥ lhe avisará em caso de necessidade de arranja-las
- **! proteja os terminais da bateria com fita isoladora antes de a expor de modo a evitar curto-circuitos**

## RUÍDO / VIBRAÇÃO

- O nível de pressão sonora desta ferramenta, medido de acordo com a EN 62841, é de 78 dB(A) e o nível de potência acústica é de 86 dB(A) (incerteza K = 3 dB), e a vibração <math>< 2,5 \text{ m/s}^2</math> (soma do vector triax; incerteza K = 1,5 m/s<sup>2</sup>)
- O nível de emissão de vibrações foi medido de acordo com um teste normalizado fornecido na EN 62841; pode ser utilizado para comparar uma ferramenta com outra e como uma avaliação preliminar de exposição à vibração quando utilizar a ferramenta para as aplicações mencionadas
  - utilizar a ferramenta para diferentes aplicações ou com acessórios diferentes ou mantidos deficientemente, pode **aumentar** significativamente o nível de exposição
  - o número de vezes que a ferramenta é desligada ou quando estiver a trabalhar sem fazer nada, pode **reduzir** significativamente o nível de exposição
- **! proteja-se contra os efeitos da vibração, mantendo a ferramenta e os acessórios, mantendo as mãos quentes e organizando os padrões de trabalho**

## Avvitatore a percussione brushless senza filo

3211

### INTRODUZIONE

- Questo utensile serve per avvitare e svitare viti e dadi
  - Assicurarsi che l'imballaggio contenga tutti i componenti illustrati in figura ②.
  - In caso di parti mancanti o danneggiate, contattare il rivenditore.
- Leggere e conservare questo manuale di istruzioni. ③
  - **Prestare particolare attenzione alle avvertenze e istruzioni di sicurezza. Il mancato rispetto comporta il rischio di lesioni gravi.**

### DATI TECNICI ①

Mass. momento di coppia avvitamento di giunti rigidi conforme alla norma ISO 5393 : 250Nm

### ELEMENTI UTENSILE ②

- A Interruttore di accensione/spengimento e regolazione della velocità
- B Commutatore per l'inversione del senso di rotazione
- C Bussola di bloccaggio
- D Feritoie di ventilazione
- E Selettore della velocità
- F Luce LED
- G Indicatore del livello batteria
- H Punta da 50 mm

### SICUREZZA

#### AVVERTENZE GENERALI DI PERICOLO PER ELETTROUTENSILI

**AVVERTENZA** Leggere tutte le avvertenze di sicurezza, istruzioni, illustrazioni e specifiche fornite con l'utensile. La mancata osservanza di tutte le istruzioni sottoelencate potrebbe causare delle scariche elettriche, principi d'incendio e/o gravi lesioni.

**Conservare tutte le avvertenze di pericolo e le istruzioni operative per ogni esigenza futura.**

Il termine "elettroutensile" utilizzato nelle avvertenze di pericolo si riferisce ad elettroutensili alimentati dalla rete (con linea di allacciamento) ed ad elettroutensili alimentati a batteria (senza linea di allacciamento).

#### 1) SICUREZZA DELLA POSTAZIONE DI LAVORO

- a) **Mantenere pulito ed ordinato il posto di lavoro.** Il disordine o le zone di lavoro non illuminate possono essere fonte di incidenti.
- b) **Evitare d'impiegare l'elettroutensile in ambienti soggetti al rischio di esplosioni nei quali si trovino liquidi, gas o polveri infiammabili.** Gli elettroutensili producono scintille che possono far infiammare la polvere o i gas.
- c) **Mantenere lontani i bambini ed altre persone**

durante l'impiego dell'elettroutensile. Eventuali distrazioni potranno comportare la perdita del controllo sull'elettroutensile.

#### 2) SICUREZZA ELETRICA

- a) **La spina per la presa di corrente dovrà essere adatta alla presa. Evitare assolutamente di apportare modifiche alla spina. Non impiegare spine adattatrici assieme ad elettroutensili con collegamento a terra.** Le spine non modificate e le prese adatte allo scopo riducono il rischio di scosse elettriche.
  - b) **Evitare il contatto fisico con superfici collegate a terra, come tubi, riscaldamenti, cucine elettriche e frigoriferi.** Sussiste un maggior rischio di scosse elettriche nel momento in cui il corpo è messo a massa.
  - c) **Custodire l'elettroutensile al riparo dalla pioggia o dall'umidità.** L'eventuale infiltrazione di acqua in un elettroutensile va ad aumentare il rischio d'insorgenza di scosse elettriche.
  - d) **Non usare il cavo per scopi diversi da quelli previsti al fine di trasportare o appendere l'elettroutensile, oppure di togliere la spina dalla presa di corrente. Mantenere l'elettroutensile al riparo da fonti di calore, dall'olio, dagli spigoli o da pezzi in movimento.** I cavi danneggiati o aggrovigliati aumentano il rischio d'insorgenza di scosse elettriche.
  - e) **Qualora si voglia usare l'elettroutensile all'aperto, impiegare solo ed esclusivamente cavi di prolunga omologati per l'impiego all'esterno.** L'uso di un cavo di prolunga omologato per l'impiego all'esterno riduce il rischio d'insorgenza di scosse elettriche.
  - f) **Qualora non fosse possibile evitare di utilizzare l'elettroutensile in ambiente umido, utilizzare un interruttore di messa a terra.** L'uso di un interruttore di messa a terra riduce il rischio di una scossa elettrica.
- #### 3) SICUREZZA DELLE PERSONE
- a) **È importante concentrarsi su ciò che si sta facendo e a maneggiare con giudizio l'elettroutensile durante le operazioni di lavoro. Non utilizzare l'elettroutensile in caso di stanchezza o sotto l'effetto di droghe, bevande alcoliche e medicinali.** Un attimo di distrazione durante l'uso dell'elettroutensile potrà causare lesioni gravi.
  - b) **Indossare sempre equipaggiamento protettivo individuale. Usare sempre protezioni per gli occhi.** Se si avrà cura d'indossare equipaggiamento protettivo individuale come la maschera antipolvere, la calzatura antisdrucciolevole di sicurezza, il casco protettivo o la protezione dell'udito, a seconda dell'impiego previsto per l'elettroutensile, si potrà ridurre il rischio di ferite.
  - c) **Evitare l'accensione involontaria dell'elettroutensile. Prima di collegarlo alla rete di alimentazione elettrica e/o alla batteria ricaricabile, prima di prenderlo oppure prima di iniziare a trasportarlo, assicurarsi che l'elettroutensile sia spento.** Tenendo il dito sopra l'interruttore mentre si trasporta l'elettroutensile oppure collegandolo all'alimentazione di corrente con l'interruttore inserito, si vengono a creare situazioni pericolose in cui possono verificarsi seri incidenti.
  - d) **Togliere gli attrezzi di regolazione o la chiave inglese prima di accendere l'elettroutensile.** Un elettroutensile o una chiave inglese che si trovino in una

- parte dell'elettrotensile in rotazione potranno causare lesioni.
- e) **È importante non sopravvalutarsi. Avere cura di mettersi in posizione sicura e di mantenere l'equilibrio.** In tale maniera sarà possibile controllare meglio l'elettrotensile in situazioni inaspettate.
  - f) **Indossare vestiti adeguati. Evitare di indossare vestiti lenti o gioielli. Tenere capelli e vestiti lontani da parti in movimento.** Vestiti lenti, gioielli o capelli lunghi potranno impigliarsi in pezzi in movimento.
  - g) **Se sussiste la possibilità di montare dispositivi di aspirazione o di captazione della polvere, assicurarsi che gli stessi siano stati installati correttamente e vengano utilizzati senza errori.** L'utilizzo di un'aspirazione polvere può ridurre lo svilupparsi di situazioni pericolose dovute alla polvere.
- h) **Una volta presa confidenza con gli utensili, evitare di trascurare le norme di sicurezza.** Una mancanza di attenzione può causare gravi lesioni in una frazione di secondo.
- 4) MANEGGIO ED IMPIEGO ACCURATO DI ELETTROUTENSILI**
- a) **Non sovraccaricare l'elettrotensile. Impiegare l'elettrotensile adatto per sbrigare il lavoro.** Utilizzando l'elettrotensile adatto si potrà lavorare meglio e con maggior sicurezza nell'ambito della gamma di potenza indicata.
  - b) **Non utilizzare elettrotensili con interruttori difettosi.** Un elettrotensile che non si può più accendere o spegnere è pericoloso e dovrà essere riparato.
  - c) **Prima di procedere ad operazioni di regolazione sull'elettrotensile, prima di sostituire parti accessorie oppure prima di posare l'elettrotensile al termine di un lavoro, estrarre sempre la spina dalla presa della corrente e/o estrarre la batteria ricaricabile, se rimovibile.** Tale precauzione eviterà che l'elettrotensile possa essere messo in funzione inavvertitamente.
  - d) **Custodire gli elettrotensili non utilizzati al di fuori della portata dei bambini. Non fare usare l'elettrotensile a persone che non sono abituate ad usarlo o che non abbiano letto le presenti istruzioni.** Gli elettrotensili sono pericolosi se utilizzati da persone inesperte.
  - e) **Eeguire la manutenzione degli elettrotensili e degli accessori. Verificare che le parti mobili dell'elettrotensile funzionino perfettamente e non s'inceppino, che non ci siano pezzi rotti o danneggiati al punto tale da limitare la funzione dell'elettrotensile stesso. Far riparare le parti danneggiate prima d'impiegare l'elettrotensile.** Numerosi incidenti vengono causati da elettrotensili la cui manutenzione è stata effettuata poco accuratamente.
  - f) **Mantenere affilati e puliti gli elettrotensili da taglio.** Gli elettrotensili da taglio curati con particolare attenzione e con taglienti affilati s'inceppano meno frequentemente e sono più facili da condurre.
  - g) **Utilizzare elettrotensili, accessori, attrezzi, ecc. in conformità con le presenti istruzioni. Osservare le condizioni di lavoro ed il lavoro da eseguirsi durante l'impiego.** L'impiego di elettrotensili per usi diversi da quelli consentiti potrà dar luogo a situazioni di pericolo.

- h) **Mantenere impugnature e superfici di presa asciutte, pulite e prive di olio e grasso.** Impugnature e superfici di presa scivolose non consentono di manipolare e controllare l'utensile in caso di situazioni inaspettate.
- 5) MANEGGIO ED IMPIEGO ACCURATO DI ACCUMULATORI**
- a) **Caricare l'accumulatore solo ed esclusivamente nei dispositivi di carica consigliati dal produttore.** Per un dispositivo di carica previsto per un determinato tipo di accumulatore, sussiste pericolo di incendio, se utilizzato con un accumulatore di tipo diverso.
  - b) **Utilizzare negli elettrotensili solo ed esclusivamente gli accumulatori previsti allo scopo.** L'uso di accumulatori di tipo diverso potrà dare insorgenza a lesioni e comportare il rischio d'incendi.
  - c) **Tenere l'accumulatore non utilizzato lontano da graffette, monete, chiavi, chiodi, viti o da altri oggetti in metallo di piccole dimensioni che potrebbero causare un ponte tra i contatti.** Un eventuale corto circuito tra i contatti dell'accumulatore potrà dare origine a bruciature o ad incendi.
  - d) **In caso di impiego sbagliato, potranno insorgere fuoriuscite di liquido dall'accumulatore. Evitarne il contatto. In caso di contatto casuale, sciacquare con acqua. Qualora il liquido dovesse entrare in contatto con gli occhi, chiedere immediato consiglio al medico.** Il liquido fuoriuscito dall'accumulatore potrà causare irritazioni cutanee o bruciature.
  - e) **Non utilizzare una batteria ricaricabile, né un elettrotensile, qualora siano danneggiati o siano stati modificati.** Batterie danneggiate o modificate possono comportare problemi non prevedibili, causando incendi, esplosioni e possibili lesioni.
  - f) **Non esporre una batteria ricaricabile o un elettrotensile al fuoco o a temperature eccessive.** L'esposizione al fuoco o a temperature superiori a 130°C può causare esplosioni.
  - g) **Rispettare tutte le istruzioni di carica e non caricare la batteria ricaricabile o l'elettrotensile fuori dal campo di temperatura indicato nelle istruzioni stesse.** Una carica non corretta, o fuori dal campo di temperatura indicato, può comportare danni alla batteria ed aumentare il pericolo di incendio.
- 6) ASSISTENZA**
- a) **Fare riparare l'elettrotensile solo ed esclusivamente da personale specializzato e solo impiegando pezzi di ricambio originali.** In tale maniera potrà essere salvaguardata la sicurezza dell'elettrotensile.
  - b) **Non sottoporre in alcun caso a manutenzione batterie ricaricabili danneggiate.** La manutenzione di batterie ricaricabili andrà effettuata esclusivamente dal produttore o da fornitori di servizi appositamente autorizzati.

#### ISTRUZIONI DI SICUREZZA PER AVVITATORI AD IMPULSI A BATTERIA

- **Tenere l'elettrotensile per le superfici isolate dell'impugnatura qualora venissero effettuati lavori durante i quali l'avvitatore potrebbe venire a contatto con cavi elettrici nascosti (il contatto tra un**

avvitatore e un cavo sotto tensione può mettere sotto tensione anche parti metalliche dell'elettrotensile, causando una scossa elettrica)

#### NOTE GENERALI

- Le polveri di materiali come vernici contenenti piombo, alcune specie di legno, minerali e metallo possono essere nocive (il contatto con queste polveri o la loro inalazione possono causare reazioni allergiche e/o disturbi respiratori all'operatore o ad altre persone presenti sul posto); **indossare una maschera protettiva per la polvere e utilizzare un dispositivo per l'estrazione della polvere se è presente una presa di collegamento**
- Alcuni tipi di polvere sono classificati come cancerogeni (quali le polveri di quercia e faggio) specialmente se associate ad additivi per il trattamento del legno; **indossare una maschera protettiva per la polvere e utilizzare un dispositivo per l'estrazione della polvere se è presente una presa di collegamento**
- Rispettare le istruzioni nazionali riguardanti l'estrazione della polvere per i materiali in lavorazione
- Non lavorare mai materiali contenenti amianto** (l'amianto è ritenuto materiale cancerogeno)
- Assicurarsi che il commutatore B ② sia in posizione centrale (blocco) prima di regolare l'utensile o sostituire accessori, come pure durante il trasporto o quando si ripone l'utensile

#### ACCESSORI

- La SKIL garantisce un perfetto funzionamento dell'utensile soltanto se vengono utilizzati accessori originali
- Utilizzate solo accessori il cui numero massimo di giri corrisponda almeno al massimo dei numeri di giri dell'utensile

#### PRIMA DELL'USO

- Evitate possibili danneggiamenti da viti e chiodi sporgenti; rimuoverli prima di iniziare la lavorazione
- Fissare il pezzo da lavorare** (un pezzo in lavorazione rimane bloccato in posizione con maggiore sicurezza se fissato con appositi dispositivi di serraggio o con una morsa e non tenendolo con la mano)
- Al fine di rilevare possibili linee di alimentazione nascoste, utilizzare adatte apparecchiature di ricerca oppure rivolgersi alla locale società erogatrice** (un contatto con linee elettriche può provocare lo sviluppo di incendi e di scosse elettriche; danneggiando linee del gas si può creare il pericolo di esplosioni; penetrando una tubazione dell'acqua si provocano seri danni materiali oppure vi è il pericolo di provocare una scossa elettrica)

#### BATTERIE

- Se inclusa, la batteria è parzialmente carica.** (per garantire la piena capacità della batteria, caricarla completamente con il caricabatteria prima del primo uso dell'elettrotensile)
- Usare solamente le batterie fornite con questo utensile**
  - Batteria SKIL: BR1\*31\*\*\*\*
  - Caricabatteria SKIL: CR1\*31\*\*\*\*
- Non usate la batteria quando è danneggiata; deve essere sostituita immediatamente
- Non smontare la batteria
- Non esporre utensile/batteria alla pioggia
- Temperatura ambientale consentita (utensile/caricabatteria/batteria):

- in fase di ricarica 4...40°C
- in fase d'esercizio -20...+50°C
- in fase di stoccaggio -20...+50°C

#### SPIEGAZIONE DEI SIMBOLI PRESENTI SULL'UTENSILE/ BATTERIA

- Leggere il manuale di istruzioni prima dell'uso
- Le batterie esplodono se gettate nel fuoco, pertanto non bruciare le batterie per alcun motivo
- Riponete utensile/caricabatteria/batteria in luoghi ove non si superino i 50°C
- Non gettare l'elettrotensile e le batterie con i rifiuti domestici

#### USO

- Interruttore combinato di acceso/spento e controllo della velocità A ⑦
  - il controllo della velocità da zero giri al massimo è dato dalla pressione più o meno forte sull'interruttore A ⑧
- Ricarica batteria
  - ! leggere le avvertenze di sicurezza e le istruzioni fornite con il caricabatteria**
- Rimozione/installazione della batteria ②
- Indicatore del livello batteria ⑨
  - premere il pulsante dell'indicatore del livello batteria G per visualizzare il livello attuale ⑨j
  - ! se il livello più basso dell'indicatore del livello batteria inizia a lampeggiare dopo aver premuto il pulsante G ⑨b, la batteria è scarica**
  - ! se i 2 livelli dell'indicatore del livello batteria iniziano a lampeggiare dopo aver premuto G ⑨c, la temperatura della batteria non rientra nel campo dei valori di impiego consentiti**
- Protezione per la batteria
  - L'utensile si spegne improvvisamente o non può essere acceso, quando
    - il carico è troppo alto** --> rimuovere il carico e riavviare
    - la temperatura della batteria non rientra nel campo dei valori di impiego massimi di -20 e +50°C** --> 2 i livelli dell'indicatore del livello batteria iniziano a lampeggiare se si preme il pulsante G ⑨c; attendere finché la batteria non è rientrata nel campo dei valori di impiego consentiti
    - la batteria è quasi scarica (per proteggerla contro la scarica profonda)** --> l'indicatore del livello batteria mostra un livello batteria basso o un livello batteria lampeggiante ⑨b se si preme il pulsante G; caricare la batteria
    - ! non continuare a premere l'interruttore on/off dopo che l'utensile si è spento automaticamente: ciò potrebbe danneggiare la batteria**
- Luce LED ⑩
  - La luce LED si accende automaticamente all'avvio dell'utensile.
  - ! Quando la luce LED inizia a lampeggiare, la funzione di protezione della batteria si è attivata (come descritto in precedenza).**
- Installazione e rimozione delle punte
  - Per installare la punta, tirare il maniccotto di bloccaggio C in avanti, inserire la punta nel porta-punta e rilasciare il maniccotto di bloccaggio C per bloccare la punta. (⑩a ⑩b ⑩c)
  - ! Tirare la punta in avanti per assicurarsi che sia**

### **bloccata. (11d)**

- Per rimuovere una punta, tirare il manicotto di bloccaggio C in avanti.

**! Utilizzare esclusivamente punte dotate di blocco a sfera; altri tipi di punte possono essere usate con un adattatore con blocco a sfera.**

**! Non usare punte con codolo danneggiato.**

- Inversione del senso di rotazione (12)
  - quando la posizione sinistra/destra non è inserita propriamente l'interruttore A (2) non può essere attivato
- ! invertire il senso di rotazione solo quando l'utensile si è arrestato completamente**
- Selezione modalità (13)
  - Premere il selettore della velocità E per selezionare la velocità di rotazione dopo aver selezionato la direzione di rotazione (in avanti o all'indietro).

### **Modalità a velocità ridotta (L) (13a)**

- Per un serraggio o un allentamento con forza ridotta e bassa velocità.
- per viti piccole

### **Modalità a velocità elevata (L) (13b)**

- Serraggio o un allentamento con la massima forza e velocità.
- Per viti e dadi grandi

### **Modalità di controllo (Freccia) (13c)**

- iniziare lentamente per favorire il puntamento della vite nel legno
- una volta che la vite è stata puntata, la velocità aumenta automaticamente
- per viti lunghe, soprattutto viti PHILLIPS/POZIDRIV

**! la modalità di controllo è disponibile solo per l'avvitamento; durante lo svitamento viene usata per la velocità media**

**! è possibile cambiare modalità solo dopo aver premuto il pulsante on/off (LED verde/i acceso/i) e quando l'utensile è completamente fermo**

- Tenuta e guida dell'utensile (14)
  - ! durante la lavorazione, impugna l'utensile sempre in corrispondenza della(e) area(e) grigia(e)**
  - tenere scoperte le feritoie di ventilazione D (2)
  - non applicare una pressione eccessiva all'utensile; lasciate che sia l'utensile a lavorare per voi

## **CONSIGLIO PRATICO**

- Usare le punte appropriate
- Quando avvitate una vite in vicinanza dei bordi dell'asse, è preferibile fare un foro precedentemente per evitare le spaccature di legno
- Durante l'inserimento di una vite nel legno duro, praticare sempre un foro pilota.
- Non serrare eccessivamente le viti le viti perché la forza dell'avvitatore potrebbe danneggiarle. Mantenere l'utensile allineato alla vite per evitare di danneggiare la testa della vite.
- La coppia dipende dalla durata dell'impatto. La coppia massima viene raggiunta dopo un impatto di 6-10 secondi.
  - ! Controllare sempre la coppia di serraggio con un correttore di coppia.**
- Per un utilizzo ottimale dell'utensile è necessario applicare una pressione costante sul bullone, in particolare durante la rimozione.
- Per ulteriori informazioni, visitare il sito web [www.skil.com](http://www.skil.com)

## **MANUTENZIONE / ASSISTENZA**

- Tenere sempre pulito l'utensile (soprattutto le feritoie di ventilazione D (2))
  - ! rimuovere la batteria dall'utensile prima della pulizia**
- Se nonostante gli accurati procedimenti di produzione e di controllo l'utensile dovesse guastarsi, la riparazione va fatta effettuare da un punto di assistenza autorizzato per gli elettroutensili SKIL
  - inviare l'utensile **non smontato** assieme alle prove di acquisto al rivenditore oppure al più vicino centro assistenza SKIL (l'indirizzo ed il disegno delle parti di ricambio dell'utensile sono riportati su [www.skil.com](http://www.skil.com))
- Tenere presente che danni causati da sovraccarico o utilizzo improprio sono esclusi dalla garanzia (per la condizioni di garanzia SKIL, visitare il sito [www.skil.com](http://www.skil.com) o contattare il proprio rivenditore)

## **TUTELA DELL'AMBIENTE**

- **Non gettare l'elettroutensile, le batterie, gli accessori e l'imballaggio con i rifiuti domestici** (solo per Paesi UE)
  - secondo la Direttiva Europea 2012/19/CE sui rifiuti di utensili elettrici ed elettronici e la sua attuazione in conformità alle norme nazionali, gli elettroutensili esausti devono essere raccolti separatamente, al fine di essere reimpiegati in modo eco-compatibile
  - il simbolo (6) vi ricorderà questo fatto in fase di smaltimento
- ! prima dello smaltimento proteggere i terminali delle batterie con nastro pesante per prevenire cortocircuiti**

## **RUMOROSITÀ / VIBRAZIONE**

- Misurato secondo EN 62841, il livello di pressione sonora garantito di questo utensile è di 78 dB(A), il livello di rumorosità è di 86 dB(A) (incertezza K = 3 dB) e il livello delle vibrazioni di <2,5 m/s<sup>2</sup> (somma vettoriale di tre direzioni; incertezza K = 1,5 m/s<sup>2</sup>)
- Il livello di emissione delle vibrazioni è stato misurato in conformità a un test standardizzato stabilito dalla norma EN 62841; questo valore può essere utilizzato per mettere a confronto un l'utensile con un altro o come valutazione preliminare di esposizione alla vibrazione quando si impiega l'utensile per le applicazioni menzionate
  - se si utilizza l'utensile per applicazioni diverse, oppure con accessori differenti o in scarse condizioni, il livello di esposizione potrebbe **aumentare** notevolmente
  - i momenti in cui l'utensile è spento oppure è in funzione ma non viene effettivamente utilizzato per il lavoro, possono contribuire a **ridurre** il livello di esposizione
- ! proteggersi dagli effetti della vibrazione effettuando la manutenzione dell'utensile e dei relativi accessori, mantenendo le mani calde e organizzando i metodi di lavoro**



## Kefe és vezeték nélküli űtvecsavarozó 3211

### BEVEZETÉS

- Ezt a szerszámot csavarok és anyák becsavarásához és meglazításához tervezték
  - Ellenőrizze, hogy a csomag tartalmazza-e az összes alkatrészt a ② rajznak megfelelően.
  - Hiányzó vagy sérült alkatrész esetén forduljon a kereskedőhöz
- Olvassa el figyelmesen a használati utasítást, és őrizze meg ③
  - Fordítson különös figyelmet a biztonsági utasításokra és figyelmeztetésekre; ezek figyelmen kívül hagyása súlyos sérüléseket eredményezhet**

### MŰSZAKI ADATOK ①

Maximális forgatónyomaték kemény csavarozásnál az ISO 5393 szerint : 250Nm

### SZERSZÁMGÉP ELEMEI ②

- A Be/Ki kapcsoló és sebességszabályozó
- B A forgásirány változtatására szolgáló kapcsoló
- C Reteszelő hüvelyt
- D Szellőzőnyílások
- E Sebesség gomb
- F LED lámpa
- G Akkumulátor töltöttségi-szint jelző
- H 50 mm-es behajtó bit

### BIZTONSÁG

#### ÁLTALÁNOS BIZTONSÁGI ELŐÍRÁSOK AZ ELEKTROMOS KÉZISZERSZÁMOKHOZ

**FIGYELMEZTETÉS** Olvassa el a szerszámgéphez tartozó biztonsági figyelmeztetéseket, utasításokat, ábrákat és specifikációkat. Az alábbi utasítások figyelmen kívül hagyása elektromos áramütéshez, tűzhöz és/vagy súlyos balesethez vezethet.

**Őrizze meg a jövőbeli használatra is valamennyi biztonsági előírást és utasítást.**

Az alább alkalmazott "elektromos kéziszerszám" fogalom a hálózati elektromos kéziszerszámokat (hálózati csatlakozó kábellel) és az akkumulátoros elektromos kéziszerszámokat (hálózati csatlakozó kábel nélkül) foglalja magában.

#### 1) MUNKAHELYI BIZTONSÁG

- a) **Tartsa tisztán és tartsa rendben a munkahelyét.** Rendetlen munkahelyek vagy megvilágítatlan munkaterületek balesetekhez vezethetnek.
- b) **Ne dolgozzon az elektromos kéziszerszámmal olyan robbanásveszélyes környezetben, ahol éghető folyadékok, gázok vagy porok vannak.** Az elektromos kéziszerszámok szikrákat bocsáthatnak ki, amelyek meggyújtják a port vagy a gőzöket.

- c) **Tartsa távol a gyerekeket és az idegen személyeket a munkahelytől, ha az elektromos kéziszerszámot használja.** Ha elvonják a figyelmét a munkától, könnyen elvesztheti az uralmát a berendezés felett.
- #### 2) ELEKTROMOS BIZTONSÁGI ELŐÍRÁSOK
- a) **A készülék csatlakozó dugójának bele kell illeszkednie a dugaszolóaljzatba. A csatlakozó dugót semmilyen módon sem szabad megváltoztatni. Védőföldeléssel ellátott készülékekkel kapcsolatban ne használjon csatlakozó adaptert.** A változtatás nélküli csatlakozó dugók és a megfelelő dugaszoló aljzatok csökkentik az áramütés kockázatát.
  - b) **Ne érjen hozzá földelt felületekhez, mint csövekhez, fűtőtestekhez, kályhákhoz és hűtőszekrényekhez.** Az áramütési veszély megnövekszik, ha a teste le van földelve.
  - c) **Tartsa távol az elektromos kéziszerszámot az esőtől és a nedvesség hatásaitól.** Ha víz hatol be egy elektromos kéziszerszámba, ez megnöveli az áramütés veszélyét.
  - d) **Ne használja a kábelt a rendeltetésétől eltérő célokra, vagyis a szerszámot soha ne hordozza vagy akassza fel a kábelnél fogva, és soha ne húzza ki a hálózati csatlakozó dugót a kábelnél fogva. Tartsa távol a kábelt hőforrásoktól, olajtól, éles élektől, sarkaktól és mozgó gépkalkatrészekről.** Egy megrongálódott vagy csomókkal teli kábel megnöveli az áramütés veszélyét.
  - e) **Ha egy elektromos kéziszerszámmal a szabad ég alatt dolgozik, csak a szabadban való használatra engedélyezett hosszabbítót használjon.** A szabadban való használatra engedélyezett hosszabbító használat csökkenti az áramütés veszélyét.
  - f) **Ha nem lehet elkerülni az elektromos kéziszerszám nedves környezetben való használatát, alkalmazzon egy földzárlat megszakítót.** Egy földzárlat megszakító alkalmazása csökkenti az áramütés kockázatát.
- #### 3) SZEMÉLYI BIZTONSÁGI ELŐÍRÁSOK
- a) **Munka közben mindig figyeljen, ügyeljen arra, amit csinál, és meggondoltan dolgozzon az elektromos kéziszerszámmal. Ha fáradt, ha kábítószerek vagy alkohol hatása alatt áll, vagy orvosságokat vett be, ne használja a berendezést.** A berendezéssel végzett munka közben már egy pillanatnyi figyelmetlenség is komoly sérülésekhez vezethet.
  - b) **Viseljen személyi védőfelszerelést és mindig viseljen védőszemüveget.** A személyi védőfelszerelések, mint porvédő álarc, csúszásbiztos védőcipő, védősapka és fülvédő használata az elektromos kéziszerszám használata jellegének megfelelően csökkenti a személyes sérülések kockázatát.
  - c) **Kerülje el a készülék akaratlan üzembe helyezését. Győződjön meg arról, hogy az elektromos kéziszerszám ki van kapcsolva, mielőtt bedugná a csatlakozó dugót a dugaszolóaljzatba, csatlakoztatná az akkumulátor-csomagot, és mielőtt felvenné és vinni kezdené az elektromos kéziszerszámot.** Ha az elektromos kéziszerszám felemelése közben az ujját a kapcsolón tartja, vagy ha a készüléket bekapcsolt állapotban csatlakoztatja az áramforráshoz, ez balesetekhez vezethet.
  - d) **Az elektromos kéziszerszám bekapcsolása előtt**

- okvetlenül távolítsa el a beállító szerszámokat vagy csavarkulcsokat. Az elektromos kéziszerszám forgó részeiben felejtett beállító szerszám vagy csavarkulcs sérüléseket okozhat.
- e) **Ne bec sülje túl önmagát. Kerülje el a normálistól eltérő testtartást, ügyeljen arra, hogy mindig biztosan álljon és az egyensúlyát megtartsa.** Így az elektromos kéziszerszám felett váratlan helyzetekben is jobban tud uralkodni.
- f) **Viseljen megfelelő ruhát. Ne viseljen bő ruhát vagy ékszereket. Tartsa távol a haját és a ruháját a mozgó részektől.** A bő ruhát, az ékszereket és a hosszú haját a mozgó alkatrészek magukkal rántathatják.
- g) **Ha az elektromos kéziszerszámra fel lehet szerelni a por elszívásához és összegyűjtéséhez szükséges berendezéseket, ellenőrizze, hogy azok megfelelő módon hozzá vannak kapcsolva a készülékhez és rendeltetésüknek megfelelően működnek.** A porgyűjtő berendezések használata csökkenti a munka során keletkező por veszélyes hatását.
- h) **Ne hagyja, hogy az elektromos kéziszerszám gyakori használata során szerzett tapasztalatok olyan önelégültté tegyék, hogy figyelmen kívül hagyja az idevonatkozó biztonsági alapelveket.** Egy gondatlan művelet egy másodperc törtrésze alatt súlyos sérüléseket okozhat.
- 4) AZ ELEKTROMOS KÉZISZERSZÁMOK GONDOS KEZELÉSE ÉS HASZNÁLATA**
- a) **Ne terhelje túl az elektromos kéziszerszámot. A munkájához csak az arra szolgáló elektromos kéziszerszámmal a megadott teljesítménytartományon belül jobban és biztonságosabban lehet dolgozni.**
- b) **Ne használjon olyan elektromos kéziszerszámot, amelynek a kapcsolója elromlott.** Egy olyan elektromos kéziszerszám, amelyet nem lehet sem be-, sem kikapcsolni, veszélyes és meg kell javíttatni.
- c) **Húzza ki a csatlakozó dugót a dugaszolóaljzatból és/vagy távolítsa el az akkumulátor-csomagot (ha az leválasztható) az elektromos kéziszerszámtól, mielőtt az elektromos kéziszerszámon beállítási munkákat végez, tartozékokat cserél vagy a szerszámot tárolásra elteszi.** Ez az elővigyázatossági intézkedés meggátolja a szerszám akaratlan üzembe helyezését.
- d) **A használaton kívüli elektromos kéziszerszámokat olyan helyen tárolja, ahol azokhoz gyerekek ne férhess nek hozzá. Ne hagyja, hogy olyan személyek használják az elektromos kéziszerszámot, akik nem ismerik a szerszámot, vagy nem olvasták el ezt az útmutatót.** Az elektromos kéziszerszámok veszélyesek, ha azokat gyakorlatlan személyek használják.
- e) **Az elektromos kéziszerszámot és tartozékait gondosan tartsa karban. Ellenőrizze, hogy a mozgó alkatrészek kifogástalanul működnek-e, nincsenek-e beszorulva, és nincsenek-e eltörve vagy megrongálódva olyan alkatrészek, amelyek hatással lehetnek az elektromos kéziszerszám működésére. A megrongálódott részeket a készülék használata előtt javíttassa meg.** Sok olyan baleset történik, amelyet az elektromos kéziszerszám nem kielégítő karbantartására lehet visszavezetni.
- f) **Tartsa tisztán és éles állapotban a vágószerszámokat.** Az éles vágóélekkel rendelkező és gondosan ápolat vágószerszámok ritkábban ékelődnek be és azokat könnyebben lehet vezetni és irányítani.
- g) **Az elektromos kéziszerszámokat, tartozékokat, betétszerszámokat stb. csak ezen előírásoknak használja. Vegye figyelembe a munkafeltételeket és a kivitelezendő munka sajátosságait.** Az elektromos kéziszerszám eredeti rendeltetésétől eltérő célokra való alkalmazása veszélyes helyzetekhez vezethet.
- h) **Tartsa szárazon, tisztán és olaj- és zsírmentes állapotban a fogantyúkat és markoló felületeket.** A csúszós fogantyúk és markoló felületek váratlan helyzetekben lehetetlenné teszik az elektromos kéziszerszám biztonságos kezelését és irányítását.
- 5) AZ AKKUMULÁTOROS KÉZISZERSZÁMOK GONDOS KEZELÉSE ÉS HASZNÁLATA**
- a) **Az akkumulátort csak a gyártó által ajánlott töltőkészülékekben tölts fel.** Ha egy bizonyos akkumulátortípus feltöltésére szolgáló töltőkészülékben egy másik akkumulátort próbál feltölteni, tűz keletkezhet.
- b) **Az elektromos kéziszerszámban csak az ahhoz tartozó akkumulátort használja.** Más akkumulátorok használata személyi sérüléseket és tüzet okozhat.
- c) **Tartsa távol a használaton kívüli akkumulátort irodai kapsoktól, pénzerméktől, kulcsoktól, szögektől, csavaroktól és más kisméretű fémtárgyaktól, amelyek áthidalhatják az érintkezőket.** Az akkumulátor érintkezői közötti rövidzárlat égési sérüléseket vagy tüzet okozhat.
- d) **Hibás alkalmazás esetén az akkumulátorból folyadék léphet ki. Kerülje el az érintkezést a folyadékkal. Ha véletlenül mégis érintkezésbe jutott az akkumulátorfolyadékkal, azonnal öblítse le vízzel az érintett felületet. Ha a folyadék a szemébe jutott, keressen fel ezen kívül egy orvost.** A kilépő akkumulátorfolyadék irritációkat vagy égéses bőrsérüléseket okozhat.
- e) **Sohase használjon egy akkumulátor csomagot, ha az megrongálódott, vagy ha változtatásokat hajtottak végre rajta.** A megrongálódott vagy megváltoztatottakkumulátorok előreláthatatlan módon viselkedhetnek, amely tűzhöz, robbanáshoz vagy sérülésveszélyhez vezet.
- f) **Ne tegye ki az akkumulátor csomagokat tűz, vagy extrém hőmérsékletnek hatásának.** Ha az akkumulátort tűznek, vagy 130°C-ot meghaladó hőmérsékletnek teszi ki, ez robbanást okozhat.
- g) **Tartsa be valamennyi töltési előírást és ne tölts fel az akkumulátort, ha annak a hőmérséklete az utasításokban megadott hőmérséklet tartományon kívül van.** Az akkumulátor nem megfelelő módon, vagy a megdott hőmérséklet tartományon kívüli feltöltése megrongálhatja az akkumulátort és megnövelheti a tűzveszélyt.
- 6) SZERVIZ**
- a) **Az elektromos kéziszerszámot csak szakképzett személyzet és csak eredeti pótalkatrészek felhasználásával javíthatja.** Ez biztosítja, hogy az elektromos kéziszerszám biztonságos szerszám maradjon.
- b) **Sohase szervizeljen megrongálódott akkumulátor csomagokat.** Az akkumulátor csomagokat csak a gyártónak, vagy az erre feljogosított szolgáltatóknak

szabad szervizelniük.

## BIZTONSÁGI ELŐÍRÁSOK AKKUS ÜTVECSAVARÓZÓKHOZ

- **Az elektromos kéziszerszámot csak a szigetelt fogantyúfelületeknél fogva tartsa, ha olyan munkát végez, amelynek során a csavar feszültség alatt álló, kívülről nem látható vezetékhez érhet (ha a csavarok feszültség alatt álló vezetékhez érnek, az elektromos kéziszerszám fémrészei szintén feszültség alá kerülhetnek és áramütéshez vezethetnek)**

### ÁLTALÁNOS TUDNIVALÓK

- Az anyagból származó por, mint például az ólmot, néhány fajtáját, ásványi anyagokat és fémeket tartalmazó festék, káros lehet (a por érintése vagy belégzése allergiás reakciókat és/vagy légzőszervi betegségeket okozhat a kezelő, illetve a közelben állók esetében); **viseljen pormaszkot és amennyiben csatlakoztatható, dolgozzon poreszívó berendezéssel**
- Bizonyos porfajták rákkeltő besorolással rendelkeznek (ilyen például a tölgy- és a bükkfa pora), különösen a fa kondicionálására szolgáló adalékokkal együtt; **viseljen pormaszkot és amennyiben csatlakoztatható, dolgozzon poreszívó berendezéssel**
- Kövesse a por kezelésével kapcsolatos helyi előírásokat azon termékkel kapcsolatosan, amellyel dolgozni kíván
- **Ne munkáljon meg a berendezéssel azbesztt tartalmazó anyagokat** (az azbeszttnek rákkeltő hatása van)
- Győződjön meg róla, hogy a B ② irányváltó-kapcsoló a középső (rögzített) állásban van, mielőtt beállításokat végez vagy tartozékokat cserél, illetve amikor a gépet szállítja vagy tárolja

### TARTOZÉKOK

- SKIL cég kizárólag eredeti alkatrészek és kiegészítők alkalmazása esetén tudja garantálni a gép problémamentes működését
- Csak olyan tartozékokat használjon, amelyek legmagasabb megengedett fordulatszáma legalább akkora, mint a berendezés legmagasabb üresjáratú fordulatszáma

### HASZNÁLAT ELŐTT

- Ügyeljen arra, hogy a munkadarabban lévő csavar, szög vagy hasonló sérüléseket ne okozhasson; a munka megkezdése előtt eltávolítandó
- **Rögzítse a munkadarabot** (befogókészülékkel vagy satuval befogott munkadarabot sokkal biztonságosabban lehet rögzíteni mint a kézzel tartottat)
- **A rejtett vezeték felkutatásához használjon alkalmas fémkereső készüléket, vagy kérje ki a helyi energiaellátó vállalat tanácsát** (ha egy elektromos vezetékkel a berendezéssel megérint, ez tűzhöz és áramütéshez vezethet; egy gázvezeték megrongálása robbanást eredményezhet; egy vízvezetékbe való behatolás anyagi károkhoz és áramütéshez vezethet)

### AKKUMULÁTOR

- **A tartozék akkumulátor részlegesen van feltöltve** (az akkumulátor teljes kapacitásának biztosításához teljes töltöttségi állapotig töltsé azt a kéziszerszám első használatát megelőzően)
- **Csak a következő akkumulátorokkal és töltőkkel használja a szerszámot**
  - SKIL akkumulátor: BR1\*31\*\*\*\*

- SKIL töltő: CR1\*31\*\*\*\*

- A hibás akkumulátor haladéktalanul cserélje ki
- Ne szerelje szét az akkumulátort
- A gépet/akkumulátort óvja az esőtől
- Megengedett környezeti hőmérséklet (szerszám/töltő készülék/akkumulátor):
  - a töltés során 4...40°C
  - az üzemeltetés során -20...+50°C
  - a tárolás során -20...+50°C

### A KÉSZÜLÉKEN/AKKUMULÁTORON TALÁLHATÓ SZIMBÓLUMOK MAGYARÁZATA

- ③ Használat előtt olvassa el a használati utasítást
- ④ Ha az akkumulátorok tűzbe kerülnek, akkor fellobbanhatnak, ezért semmilyen okból ne égesse el az akkumulátorokat
- ⑤ A gépet/töltőkészüléket/akkumulátort ne tárolja 50°C feletti helyiségben
- ⑥ Ne dobja az elektromos kéziszerszámokat és elemek a háztartási szemétkébe

## KEZELÉS

- Kombinált kapcsoló a ki/be kapcsolásra valamint a sebességszabályozásra A ⑦
  - kapcsolóra A ⑧ gyakorolt nyomás megváltoztatásával a sebesség fokozatmentesen nulláról max. fordulatszámig szabályozható
- Az akkumulátor töltése
  - ! **olvassa el a töltővel kapott biztonsági figyelmeztetéseket és utasításokat**
- Akkumulátorok eltávolítása/telepítése ②
- Akkumulátor töltöttségi-szint jelző ⑨
  - nyomja meg az akkumulátor töltöttségi szintjét jelző gombot G az aktuális akkumulátorszint kijelzéséhez ⑨k
  - ! **amikor a G ⑨b gomb megnyomása után a legalacsonyabb akkumulátor töltöttség jelző villog, az akkumulátor lemerült**
  - ! **ha a 2 akkumulátor töltöttségi szintet jelző indikátor elkezd villogni a G ⑨c gomb megnyomása után, az akkumulátor hőmérséklete a megengedett működési tartományon kívül van**
- Az akkumulátor védelme
  - A gép hirtelen kikapcsol vagy nem lehet visszakapcsolni, ha
    - **a teher túl nagy** --> távolítsa el a terhet és kezdje újra
    - **az akkumulátor hőmérséklete nem a megengedett -20 és +50 °C működési tartományon belül van** --> a 2 akkumulátor töltöttségi szintet jelző indikátor elkezd villogni a G ⑨c gomb megnyomása után; várja meg, míg az akkumulátor hőmérséklete ismét a megengedett működési tartományon belül van
    - **az akkumulátor majdnem teljesen lemerült/üres (mély kislülés elleni védelem)** --> ⑨b alacsony akkumulátor töltöttséget vagy villogó akkumulátor töltöttséget jelez az indikátor, ha megnyomja a G gombot; töltsé fel az akkumulátort
    - ! **ha a készülék automatikusan kikapcsolt, ne próbálja nyomogatni a be-/kikapcsoló gombot, mert az akkumulátor megsérülhet**
- LED-lámpa ⑩
  - A LED lámpa automatikusan felkapcsol, ha megnyomja a be-/kikapcsoló gombot
  - ! **amikor a LED lámpa elkezd villogni, az**

- akkumulátorvédelem működésbe lép (lásd fentiekben)**
- A bitek behelyezése és eltávolítása
    - a bit behelyezéséhez húzza előre a C záróhüvelyt, illesse be a biteket a bittartóba, és engedje fel a C záróhüvelyt a bit rögzítéséhez. (11a 11b 11c)
    - ! húzza előre a biteket annak ellenőrzéséhez, hogy rögzítve lett-e (11d)**
    - a bit eltávolításához tolja előre a C záróhüvelyt
    - ! csak golyósretesz biteket használjon, más biteket univerzális golyósretesz fejfogóval lehet használni**
    - ! soha ne használjon sérült befogógéví fúrószárat**
  - Forgásirány változtatás (12)
    - amennyiben az A (2) be/ki kapcsoló nem kattant tökéletesen a helyére ne kapcsolja be gépét
    - ! a forgásirány kizárólag a gép teljes leállása után változtatható**
  - Üzem módváltó (13)
    - nyomja meg az E sebességgombot a kívánt meghúzás vagy lazítási mód kiválasztásához, amikor a szerszám előre- vagy hátramenetbe van állítva:
    - Alacsony fordulatszámú üzemmód (L) (13a)**
      - kisebb erővel és kis sebesség mellett végzett meghúzás vagy meglazítás
      - kisebb méretű csavarokhoz
    - Nagy sebességű üzemmód (H) (13b)**
      - nagy erővel és sebességgel történő meghúzás vagy meglazítás
      - nagy méretű csavarokhoz és anker csavarokhoz
    - Vezérlési mód (nyíl) (13c)**
      - lassan kezdje el, a csavar fába történő beültetésének elősegítéséhez
      - automatikusan növeli a sebességet a csavar beültetésekor
      - hosszú csavarokhoz, különösen PHILLIPS/POZIDRIV csavarokhoz
    - ! a vezérlési mód csak előre forgatás esetén érhető el; hátrafelé forgatás esetén közepes sebesség mellett használják**
    - ! az üzemmódok csak az on/off (bekapcsolás/kikapcsolás) gomb enyhe megnyomása (a zöld LED-(ek) aktív(ak) lesz(nek)), illetve a szerszám teljes leállása után módosíthatók**
  - A gép vezetése és tartása (14)
    - ! munka közben mindvégig tartsa gépet a sűrű színű markolati terület(ek)en**
      - a szellőzőnyílásokat D (2) mindig tartsa szabadon
      - ne gyakoroljon túl nagy nyomást a gépre; hagyja, hogy a gép dolgozzon ön helyett

## HASZNÁLAT

- Mindig a megfelelő szerszámhegyet használja
- Csavarok faanyag végébe vagy szálirányába történő behajtása előtt készítsen előfuratot
- Ha kemény fába csavaroz, lyuk előfúrása szükséges
- Meghúzáskor a csavart ne húzza túl. Mivel az útvecsavarozó ereje eltérhet a rögzítőelemét. Tartsa a szerszámot egy vonalban a csavarral, hogy elkerülje a rögzítőelem sérülését.
- A nyomaték az ütés időtartamától függ. A maximális nyomaték 6–10 másodperces ütés után érhető el. **! mindig ellenőrizze a meghúzási nyomatékot**

## nyomatékkulccsal

- A szerszám optimális használatához a csavarra állandó nyomást kell gyakorolni, különösen a rögzítőelem eltávolításakor.
- További információkért lásd a [www.skil.com](http://www.skil.com) oldalt

## KARBANTARTÁS / SZERVIZ

- Mindig tartsa tisztán a gépet (különös tekintettel a szellőzőnyílásokra D (2))
  - ! távolítsa el az akkumulátort a tisztítás előtt**
- Ha a gép a gondos gyártási és ellenőrzési eljárás ellenére egyszer mégis meghibásodna, akkor a javítással csak SKIL elektromos kéziszerszám-műhely ügyfélszolgálatat szabad megbízni
  - küldje az **összeszerelt** gépet a vásárlást bizonyító számlával együtt a kereskedő vagy a legközelebbi SKIL szervizállomás címére (a cimlista és a gép szervizdiagramja a [www.skil.com](http://www.skil.com) címen található)
- Vegye figyelembe, hogy a garancia nem fedi le a túlterhelés és a gép helytelen használata miatt okozott károkat (a SKIL garanciális feltételeit elolvashatja a [www.skil.com](http://www.skil.com) oldalon, vagy kérdezze meg kereskedőjét)

## KÖRNYEZET

- Az elektromos kéziszerszámokat, elemeket, tartozékokat és csomagolást ne dobja a háztartási szemétkébe (csak EU-országok számára)**
  - a használt villamos és elektronikai készülékekről szóló 2012/19/EK irányelv és annak a nemzeti jogba való átültetése szerint az elhasznált elektromos kéziszerszámokat külön kell gyűjteni, és környezetbarát módon újra kell hasznosítani
  - erre emlékeztet a (6) jelzés, amennyiben felmerül az intézkedésre való igény
- ! az akkumulátor hatástanulása előtt az akkumulátor végelt erős szalaggal biztosítsuk, hogy a kúszóáramokat kiküszöbölhessük**

## ZAJ / REZGÉS

- Az EN 62841-es szabványnak megfelelően végzett mérés szerint a szerszám hangnyomása 78 dB(A), hangerőszintje 86 dB(A) (bizonytalanság K = 3 dB), a vibráció pedig <2,5 m/s<sup>2</sup> (háromtengelyű vektor összege; bizonytalanság K = 1,5 m/s<sup>2</sup>)
- A rezgés-kibocsátási szint mérése az EN 62841 szabványban meghatározott szabványosított teszttel összhangban történt; ez egy eszköznek egy másik eszközzel történő összehasonlítására, illetve a rezgésnek való kitettség előzetes felmérésére használható fel az eszköznek az említett alkalmazásokra történő felhasználása során
  - az eszköznek eltérő alkalmazásokra, vagy eltérő, illetve rosszul karbantartott tartozékokkal történő felhasználása jelentősen **emelheti** a kitettség szintjét
  - az idő, amikor az eszköz ki van kapcsolva, vagy amikor ugyan működik, de ténylegesen nem végez munkát, jelentősen **csökkentheti** a kitettség szintjét
- ! az eszköz és tartozékai karbantartásával, kezének melegen tartásával, és munkavégzésének megszervezésével védje meg magát a rezgések hatásaitól**

## Bezkontaktní akumulátorový rázový šroubovák

3211

### ÚVOD

- Tento nástroj je určen pro utahování a uvolňování šroubů
  - Zkontrolujte, zda obal obsahuje všechny části zobrazené na obrázku ②
  - Pokud některé součásti chybí nebo jsou poškozené, obraťte se na prodejce
- Přečtěte a uschovejte si tento návod k použití ③
  - **Zvláštní pozornost věnujte bezpečnostním pokynům a výstrahám; při jejich nedodržení se vystavujete nebezpečí vážného úrazu**

### TECHNICKÁ DATA ①

Max. krouticí moment tvrdý šroubový spoj podle ISO 5393 : 250Nm

### SOUČÁSTI NÁSTROJE ②

- A Vypínač zapnout/vypnout a regulace rychlosti
- B Spínač na změnu směru otáček
- C Zajišťovací objímka
- D Větrací šterbiny
- E Tlačítko rychlosti
- F LED světlo
- G Indikátor akumulátoru
- H 50 mm zaváděcí hrot

## BEZPEČNOST

### OBECNÉ BEZPEČNOSTNÍ POKYNY PRO ELEKTRONÁŘADÍ

**VAROVÁNÍ** Přečtěte si veškerá bezpečnostní upozornění, pokyny, obrázky a technické údaje, které jsou s tímto elektrickým nástrojem dodávány. Nedodržení všech níže uvedených pokynů může vést k úrazu elektrickým proudem, požáru a/nebo vážnému zranění.

**Všechny pokyny a výstrahy uchovejte pro budoucí potřebu.**

Ve varovných upozorněních použitý pojem "elektronářadí" se vztahuje na elektronářadí provozované na el. síti (se síťovým kabelem) a na elektronářadí provozované na akumulátoru (bez síťového kabelu).

#### 1) BEZPEČNOST PRACOVNÍHO MÍSTA

- a) **Udržujte Vaše pracovní místo čisté a uklizené.** Nepořádek nebo neosvětlené pracovní oblasti mohou vést k úrazům.
- b) **Se strojem nepracujte v prostředích ohrožených explozí, kde se nacházejí hořlavé kapaliny, plyny nebo prach.** Elektronářadí vytváří jiskry, které mohou prach nebo páry zapálit.
- c) **Děti a jiné osoby udržujte při použití elektronářadí daleko od Vašeho pracovního místa.** Při rozptýlení

můžete ztratit kontrolu nad strojem.

#### 2) ELEKTRICKÁ BEZPEČNOST

- a) **Připojovací zástrčka stroje musí lícovat se zásuvkou. Zástrčka nesmí být žádným způsobem upravena. Společně se stroji s ochranným uzemněním nepoužívejte žádné adaptérové zástrčky.** Neupravené zástrčky a vhodné zásuvky snižují riziko elektrického úderu.
- b) **Zabraňte kontaktu těla s uzemněnými povrchy, jako např. potrubí, topení, sporáky a chladničky.** Je-li Vaše tělo uzemněno, existuje zvýšené riziko elektrického úderu.
- c) **Chraňte stroj před deštěm a vlhkem.** Vniknutí vody do elektrického stroje zvyšuje nebezpečí elektrického úderu.
- d) **Dbejte na účel kabelu, nepoužívejte jej k nošení či zavěšení stroje nebo vytažení zástrčky ze zásuvky. Udržujte kabel daleko od tepla, oleje, ostrých hran nebo pohyblivých dílů stroje.** Poškozené nebo spletené kabely zvyšují riziko elektrického úderu.
- e) **Pokud pracujete s elektronářadím venku, použijte pouze takové prodlužovací kabely, které jsou schváleny i pro venkovní použití.** Použití prodlužovacího kabelu, jež je vhodný pro použití venku, snižuje riziko elektrického úderu.
- f) **Pokud se nelze vyhnout provozu elektronářadí ve vlhkém prostředí, použijte ochranný jistič.** Nasazení ochranného jističe snižuje riziko úderu elektrickým proudem.

#### 3) BEZPEČNOST OSOB

- a) **Buďte pozorní, dávejte pozor na to, co děláte a přistupujte k práci s elektronářadím rozumně. Stroj nepoužívejte pokud jste unaveni nebo pod vlivem drog, alkoholu nebo léků.** Moment nepozornosti při použití elektronářadí může vést k vážným poraněním.
  - b) **Noste osobní ochranné pomůcky a vždy ochranné brýle.** Nošení osobních ochranných pomůcek jako maska proti prachu, bezpečnostní obuv s protiskluzovou podrážkou, ochranná přilba nebo sluchátka, podle druhu nasazení elektronářadí, snižují riziko poranění.
  - c) **Zabraňte neúmyslnému uvedení do provozu. Přesvědčte se, že je elektronářadí vypnuté dříve než jej uchopíte, poneseťe či připojíte na zdroj proudu a/ nebo akumulátor.** Máte-li při nošení elektronářadí prst na spínači nebo pokud stroj připojíte ke zdroji proudu zapnutý, pak to může vést k úrazům.
  - d) **Než stroj zapnete, odstraňte seřizovací nástroje nebo šroubovák.** Nástroj nebo klíč, který se nachází v otáčivém dílu stroje, může vést k poranění.
  - e) **Nepřeceňujte se. Zajistěte si bezpečný postoj a vždy udržte rovnováhu.** Tím můžete stroj v neočekávaných situacích lépe kontrolovat.
  - f) **Noste vhodný oděv. Nenoste žádný volný oděv nebo šperky. Vlasy a oděv udržte daleko od pohyblivých se dílů.** Volný oděv, šperky nebo dlouhé vlasy mohou být zachyceny pohyblivými se díly.
  - g) **Lze-li namontovat odsávací či zachycující přípravky, přesvědčte se, že jsou připojeny a správně použity.** Použití odsávání prachu může snížit ohrožení prachem.
  - h) **Dbejte na to, abyste při častém používání nářadí nebyli méně ostražití a nezapomínali na bezpečnostní zásady.** Nedbalé ovládání může způsobit těžké poranění za zlomek sekundy.
- #### 4) SVĚDOMITÉ ZACHÁZENÍ A POUŽÍVÁNÍ

## ELEKTRONÁŘADÍ

- a) **Stroj nepřetěžujte. Pro svou práci použijte k tomu určený stroj.** S vhodným elektronářadím budete pracovat v dané oblasti výkonu lépe a bezpečněji.
- b) **Nepoužívejte žádné elektronářadí, jehož spínač je vadný.** Elektronářadí, které nelze zapnout či vypnout je nebezpečné a musí se opravit.
- c) **Než provedete seřízení stroje, výměnu dílů příslušenství nebo stroj odložíte, vytáhněte zástrčku ze zásuvky a/nebo odstraňte odpojitelny akumulátor.** Toto preventivní opatření zabrání neúmyslnému zapnutí stroje.
- d) **Uchovávejte nepoužívané elektronářadí mimo dosah dětí. Nenechte stroj používat osobám, které se strojem nejsou seznámeny nebo nečetly tyto pokyny.** Elektronářadí je nebezpečné, je-li používáno nezkušenými osobami.
- e) **Pečujte o elektronářadí a příslušenství svědomitě. Zkontrolujte, zda pohyblivé díly stroje bezvadně fungují a nevzpříčují se, zda díly nejsou zlomené nebo poškozené tak, že je omezena funkce stroje. Poškozené díly nechte před nasazením stroje opravit.** Mnoho úrazů má příčinu ve špatně udržovaném elektronářadí.
- f) **Rezné nástroje udržujte ostré a čisté.** Pečlivě ošetřované rezné nástroje s ostrými reznými hranami se méně vzpříčují a dají se lehčeji vést.
- g) **Používejte elektronářadí, příslušenství, nasazovací nástroje apod. podle těchto pokynů. Respektujte přítom pracovní podmínky a prováděnou činnost.** Použití elektronářadí pro jiné než určující použití může vést k nebezpečným situacím.
- h) **Udržujte rukojeti a úchytné plochy suché, čisté a bez oleje a maziva.** Kluzké rukojeti a úchytné plochy neumožňují bezpečnou manipulaci a ovládání nářadí v neočekávaných situacích.
- 5) **SVĚDOMITĚ ZACHÁZENÍ A POUŽÍVÁNÍ AKUMULÁTOROVÉHO NÁŘADÍ**
  - a) **Akumulátory nabíjejte pouze v nabíječce, která je doporučena výrobcem.** Pro nabíječku, která je vhodná pro určitý druh akumulátorů, existuje nebezpečí požáru, je-li používána s jinými akumulátory.
  - b) **Do elektronářadí používejte pouze k tomu určené akumulátory.** Použití jiných akumulátorů může vést k poraněním a požárům.
  - c) **Nepoužívaný akumulátor uchovávejte mimo kancelářské sponky, mince, klíče, hřebíky, šrouby nebo jiné drobné kovové předměty, které mohou způsobit přemostění kontaktů.** Zkrat mezi kontakty akumulátoru může mít za následek opálení nebo požár.
  - d) **Při špatném použití může z akumulátoru vytéci kapalina. Zabraňte kontaktu s ní. Při náhodném kontaktu opláchněte místo vodou. Pokud kapalina vnikne do očí, navštivte navíc i lékaře.** Vytékající akumulátorová kapalina může způsobit podráždění pokožky nebo popálení.
  - e) **Nepoužívejte akumulátor nebo nářadí, které jsou poškozené nebo upravené.** Poškozené nebo upravené akumulátory se mohou chovat nepředvídaně a způsobit požár, výbuch nebo poranění.
  - f) **Nevystavujte akumulátor nebo nářadí ohni nebo nadměrné teplotě.** Vystavení ohni nebo teplotě nad 130°C může způsobit výbuch.

- g) **Dodržujte všechny pokyny pro nabíjení a nenabíjejte akumulátor nebo nářadí mimo teplotní rozsah uvedený v pokynech.** Nesprávné nabíjení nebo nabíjení při teplotách mimo uvedený rozsah může poškodit akumulátor a zvýšit riziko požáru.

## 6) SERVIS

- a) **Nechte Váš stroj opravit pouze kvalifikovaným odborným personálem a pouze s originálními náhradními díly.** Tím bude zajištěno, že bezpečnost stroje zůstane zachována.
- b) **Nikdy neprovádějte servis poškozených akumulátorů.** Servis akumulátorů by měl provádět pouze výrobce nebo autorizovaná oprava.

## BEZPEČNOSTNÍ POKYNY PRO AKUMULÁTOROVÝ RÁZOVÝ ŠROUBOVÁK

- **Pokud provádíte práce, při kterých může šroub zasáhnout skrytá elektrická vedení, pak držte elektronářadí na izolovaných plochách rukojeti** (kontakt s vedením pod napětím může přivést napětí i na kovové díly elektronářadí a vést k úderu elektrickým proudem)

## OBECNĚ

- Prach z látek, jako jsou barvy obsahující olovo, některé druhy dřeva, minerály a kovy, může být škodlivý (kontakt s prachem nebo jeho vdechnutí může způsobit alergickou reakci a/nebo vyvolat respirační choroby u obsluhy nebo přihlížejících); **nošte protiprachovou masku a pracujte se zařízením na odsávání prachu, pokud je možné jej připojit**
- Některé druhy prachu jsou klasifikovány jako karcinogenní (například dubový a bukový prach) zejména ve spojení s přísadami pro úpravu dřeva; **nošte protiprachovou masku a pracujte se zařízením na odsávání prachu, pokud je možné jej připojit**
- Dodržujte stanovená nařízení pro práci v prašném prostředí
- **Nepracováváte žádný materiál obsahující azbest** (azbest je karcinogenní)
- Zabezpečte, aby spínač B ② byl vždy v pozici uprostřed (zablokované) než provedete seřízení stroje nebo výměnu příslušenství, při přenášení nebo odložení stroje

## PŘÍSLUŠENSTVÍ

- SKIL zajistí bezvadnou funkci nářadí pouze tehdy, používáte-li původní značkové
- Používejte pouze příslušenství, jejichž dovolené otáčky jsou alespoň tak vysoké jako nejvyšší otáčky stroje naprázdno

## PŘED POUŽITÍM

- Vrtačku nepoužívejte je-li navlhá a nepracujte v blízkosti snadno zápalných nebo výbušných materiálů; před zahájením práce je odstraňte
- **Zajistěte obráběný díl** (obráběný díl uchycený pomocí upínacích zařízení nebo ve svěráku je mnohem bezpečnější než v ruce)
- **Použijte vhodné hledací přístroje k vyhledání skrytých přívodních vedení nebo přivězte místní dodavatelskou společnost** (kontakt s el. vedením může vést k požáru a elektrickému úderu; poškození plynového vedení může vést k explozi; proniknutí do vodovodního potrubí může způsobit věcné škody nebo elektrický úder)

## AKUMULÁTORY

- **Dodaný akumulátor je případně částečně nabitý** (v zájmu zajištění maximální kapacity akumulátoru jej před

prvním použitím vašeho elektronástroje úplně dobijte v nabíječce)

- **Používejte pouze následující akumulátory a nabíječky dodávané s tímto nástrojem**
  - Akumulátor SKIL: BR1\*31\*\*\*\*
  - Nabíječka SKIL: CR1\*31\*\*\*\*
- Poškozený akumulátor nepoužívejte, nahraďte jej novým
- Akumulátor nerozebírejte
- Nevystavujte nástroj/akumulátor dešti
- Povolená teplota prostředí (nářadí/nabíječka/akumulátor):
  - při nabíjení 4...40°C
  - při provozu -20...+50°C
  - při skladování -20...+50°C

#### **VYSVĚTLENÍ SYMBOLŮ NA NÁSTROJI/BATERII**

- ③ Před použitím si přečtěte návod k použití
- ④ Baterie při vhození do ohně explodují, proto je nikdy nevhazujte do otevřeného plamene
- ⑤ Nářadí/nabíječka/akumulátor ukládejte na vhodné, suché a zajištěné místo, v prostorách s teplotou maximálně 50°C
- ⑥ Nevyhazujte elektrické nářadí a baterie do komunálního odpadu

#### **OBSLUHA**

- Kombinovaný vypínač "zapnuto/vypnuto" a kontrola rychlosti A ⑦
  - při větším či menším tlaku na spínač A ⑧, lze měnit plynule otáčky
- Nabíjení akumulátorů
  - ! **přečtěte si bezpečnostní upozornění a pokyny, které byly dodány spolu s nabíječkou**
- Vyjmutí/instalace akumulátoru ②
- Indikátor akumulátoru ⑨
  - stisknete tlačítko indikátoru akumulátoru G, aby ukazovalo aktuální úroveň nabití ⑩
  - ! **když po stisknutí tlačítka G ⑨b začne blikat nejnižší úroveň indikátoru akumulátoru, akumulátor je vypnutý**
  - ! **když úroveň 2 indikátoru akumulátoru začnou blikat po stisknutí tlačítka G ⑨c, akumulátor není v rozsahu přípustných provozních teplot**
- Ochrana baterie
  - Nářadí se najednou vypne nebo mu je zabráněno v zapnutí, když
    - **je zátěž příliš vysoká** --> odstraňte zátěž a proveďte restart
    - **teplota akumulátoru není v rozsahu přípustných provozních teplot -20 až +50 °C** --> úroveň 2 indikátoru akumulátoru začnou blikat po stisknutí tlačítka G ⑨c; počkejte, dokud se akumulátor nevrátí do rozsahu přípustných provozních teplot
    - **Akumulátor je téměř vybitý (ochrana před přílišným vybitím)** --> při stisknutí tlačítka G indikátor akumulátoru zobrazí nízkou úroveň baterie nebo blikající nízkou úroveň akumulátoru ⑨b; vyměňte akumulátor
    - ! **po automatickém vypnutí nástroje netiskněte vypínač; mohlo by dojít k poškození akumulátoru**
- LED světlo ⑩
  - LED světlo se automaticky rozsvítí při aktivaci vypínače
  - ! **když LED světlo začne blikat, aktivuje se ochrana akumulátoru (viz výše)**
- Instalace a demontáž hrotů
  - pro instalaci hrotu vytáhněte zajišťovací pouzdro

C dopředu, vložte hrot do držáku a uvolněním zajišťovacího pouzdra C hrot zajistíte. (⑪a ⑪b ⑪c)

- ! **vytáhněte hrot dopředu, abyste zkontrolovali, zda je zajištěn (⑪d)**
- pro vyjmutí hrotu vytáhněte pouzdro C dopředu
- ! **používejte jen hroty s kulovým uzávěrem, ostatní hroty lze použít v kombinaci univerzálního držáku hrotů a kulového uzávěru**
- ! **nepoužívejte hroty s poškozeným dřikem**
- Změna směru otáček ⑫
  - jestliže poloha doleva/doprava správně nezapadne, není možno zapnout vypínač A ②
  - ! **směr otáček se smí změnit pouze je-li nástroj zcela zastaven**
- Výběr režimu ⑬
  - stisknutím tlačítka rychlosti E zvolte požadovaný režim utahování nebo povolování, když je nářadí nastaveno na otáčení vpřed nebo vzad:
    - Režim nízké rychlosti (L) ⑬a**
      - utahování nebo povolování menší silou a nízkou rychlostí
      - pro menší šrouby
    - Režim vysoké rychlosti (H) ⑬b**
      - utahování nebo povolování s vysokým točivým momentem a vysokou rychlostí
      - pro velké šrouby a vruty
    - Ovládací režim (šipka) ⑬c**
      - pomalý začátek, aby bylo možné zavést šroub do dřeva
      - automatické zvýšení rychlosti po zavedení šroubu
      - pro dlouhé šrouby, zejména šrouby PHILLIPS/POZIDRIV
  - ! **ovládací režim je k dispozici pouze s otáčením dopředu; u otáčení dozadu se používá pro střední rychlost**
  - ! **režimy lze měnit až po mírném stisknutí hlavního vypínače (zelené LED jsou aktivované) a když se nástroj úplně zastavil**
- Držení a vedení nástroje ⑭
  - ! **při práci vždy držte nástroj v šedě zabarvené oblasti rukojeti**
  - udržujte větrací štěrby D ② nezakryté
  - na přístroj příliš netlačte; nechte jej, aby pracoval za vás

#### **NÁVOD K POUŽITÍ**

- Používejte správné vrtáky
- Při zašroubování šroubu na konci nebo na začátku nějakého dřeva by měla být předvrtána díra, aby se zamezilo rozštípnutí dřeva
- Při šroubování do tvrdého dřeva je třeba předvrtat otvor.
- Při utahování šroubu jej příliš neutahujte. Síla rázového utahováků může spojovací prvek zlomit. Držte nástroj v jedné rovině se šroubem, aby nedošlo k poškození hlavy šroubu.
- Krouticí moment závisí na trvání rázu. Maximálního točivého momentu je dosaženo po 6-10 sekundách trvání rázu.
  - ! **vždy kontrolujte utahovací moment pomocí momentoměru.**
- Pro optimální využití nástroje je nutno zvolit odpovídající tlak na šroub, zvláště při vyšroubování.
- Další informace najdete na [www.skil.com](http://www.skil.com)

#### **ÚDRŽBA / SERVIS**

- Nástroj udržujte vždy čistý (zejména větrací štěrby D ②)
- ! před montáží vyjměte akumulátor z nástroje**
- Pokud dojde i přes pečlivou výrobu a náročné kontroly k poruše nástroje, svěřte provedení opravy autorizovanému servisnímu středisku pro elektronářadí firmy SKIL
  - zašlete nástroj **nerozebraný** spolu s potvrzením o nákupu své prodejně nebo nejbližšímu servisu značky SKIL (adresy a servisní schema nástroje najdete na [www.skil.com](http://www.skil.com))
- Uvědomte si, že na poškození způsobené přetížením nebo nesprávným zacházením se nevztahuje záruka (záruční podmínky společnosti SKIL najdete na adrese [www.skil.com](http://www.skil.com) nebo se obraťte na prodejce)

## ŽIVOTNÍ PROSTŘEDÍ

- Elektrické nářadí, baterie, doplňky a balení nevyhazujte do komunálního odpadu** (jen pro státy EU)
  - podle evropské směrnice 2012/19/EG o nakládání s použitými elektrickými a elektronickými zařízeními a odpovídajících ustanovení právních předpisů jednotlivých zemí se použitá elektrická nářadí, musí sbírat odděleně od ostatního odpadu a podrobit ekologicky šetrnému recyklování
  - symbol ⑥ na to upozorňuje
- ! u vyřazených akumulátorů zakryjte kontakty izolační páskou, zabráníte tím plazivým proudům**

## HLUČNOSTI / VIBRACÍ

- Při měření v souladu s normou EN 62841 je hladina akustického tlaku tohoto nástroje 78 dB(A), hladina hlučnosti 86 dB(A) (nepřesnost K = 3 dB) a vibrace <math> < 2,5 \text{ m/s}^2 </math> (celkové hodnoty vibrací; nepřesnost K = 1,5 m/s<sup>2</sup>)
- Úroveň vibrací byla měřena v souladu se standardizovaným testem podle EN 62841; je možné ji použít ke srovnání jednoho přístroje s druhým a jako předběžné posouzení vystavování se vibracím při používání přístroje k uvedeným aplikacím
  - používání přístroje k jiným aplikacím nebo s jiným či špatně udržovaným příslušenstvím může zásadně **zvýšit** úroveň vystavení se vibracím
  - doba, kdy je přístroj vypnutý nebo kdy běží, ale ve skutečnosti není využíván, může zásadně **snížit** úroveň vystavení se vibracím
- ! chraňte se před následky vibrací tak, že budete dbát na údržbu přístroje a příslušenství, budete si udržovat teplé ruce a uspořádáte si své pracovní postupy**

TR

**Fırçasız akülü darbeli matkap**

**3211**

## GİRİŞ

- Bu alet vidaları ve civataları vidalamak ve açmak için tasarlanmıştır
  - Ambalajın ② numaralı şekilde gösterilen tüm parçaları içerip içermediğini kontrol edin
  - Parçaların eksik veya hasarlı olması durumunda

bayinizle temasa geçin

- Bu kullanım kılavuzunu okuyun ve saklayın ③
  - Güvenlik talimatlarına ve uyarılarına özellikle dikkat edin, bu talimatlar/uyarılar uyulmaması halinde ciddi yaralanmalar meydana gelebilir**

## TEKNİK VERİLER ①

ISO 5393'e göre sert vidalamada maksimum tork : 250Nm

## ALET BİLEŞENLERİ ②

- A Açma/kapama ve hız kontrol anahtarı
- B Dönüş yönü değiştirme düğmesi
- C Kilitleme manşonu
- D Havalandırma yuvaları
- E Hız düğmesi
- F LED-işiği
- G Batarya şarj süre göstergesi
- H 50 mm vidalama aleti ucu

## GÜVENLİK

### GENEL ELEKTRİKLİ EL ALETİ GÜVENLİK UYARILARI

**⚠ UYARI** Bu elektrikli alet ile birlikte verilen tüm uyarıları, talimatları, resimleri ve özellikleri okuyun. Aşağıda listelenen talimatların tamamına uyulmaması durumunda elektrik çarpması, yangın ve/veya ciddi yaralanmalar meydana gelebilir.

**Tüm uyarı ve talimatları ileriye kullanmak üzere saklayın.**

Uyarı ve talimat hükümlerinde kullanılan "elektrikli el aleti" kavramı, akım şebekesine bağlı (şebeke bağlantı kablosu ile) aletlerle akü ile çalışan aletleri (akım şebekesine bağlantısı olmayan aletler) kapsamaktadır.

### 1) ÇALIŞMA YERİ GÜVENLİĞİ

- a) **Çalıştığınız yeri temiz ve düzenli tutun.** Düzensizlik veya yetersiz aydınlatma kazalara neden olabilir.
- b) **Yanıcı sıvıların, gazların veya tozların bulunduğu patlama tehlikesi olan yer ve mekânlarda aletle çalışmayın.** Elektrikli el aletleri, toz veya buharların tutuşmasına veya yanmasına neden olan kıvılcıklar çıkarırlar.
- c) **Elektrikli el aletiyle çalışırken çocukları ve başkalarını çalışma alanınızın uzağında tutun.** Yakınızdaki bulunan kişiler dikkatinizi dağıtabilir ve bu da alet üzerindeki kontrolünüzü kaybetmenize neden olabilir.

### 2) ELEKTRİKSEL GÜVENLİK

- a) **Aletin bağlantı fişi prize uymalıdır. Fişi hiçbir şekilde değiştirmeyin. Koruyucu topraklamalı aletlerle adaptörlü fiş kullanmayın.** Değiştirilmemiş, orijinal fiş ve uygun prizler elektrik çarpması tehlikesini azaltır.
- b) **Borular, kalorifer tesisatı, ısıtıcılar ve buzdolapları gibi topraklanmış yüzeylerle bedensel temasa geçmekten kaçının.** Eğer bedeniniz topraklanacak olursa yüksek bir elektrik çarpması tehlikesi ortaya çıkar.
- c) **Aleti yağmur ve nemden koruyun.** Elektrikli el aletinin içine suyun sızması elektrik çarpması tehlikesini yükseltir.
- d) **Kabloyu kendi amacı dışında kullanmayın; örneğin aleti kablodan tutarak taşımayın, aleti kablo ile**



- asmayın veya kablodan çekerek fişi prizden çıkarmayın. Kabloyu aşırı ısıktan, yağlardan, keskin kenarlı cisimlerden veya aletin hareketli parçalarından uzak tutun. Hasarlı veya dolaşmış kablo elektrik çarpmaya tehlikesini yükseltir.
- e) **Elektrikli el aletiyle açık havada çalışırken mutlaka açık havada kullanılmaya uygun uzatma kablosu kullanın.** Açık havada kullanılmaya uygun uzatma kablosunun kullanılması elektrik çarpmaya tehlikesini azaltır.
- f) **Elektrikli el aletin nemli ortamlarda çalıştırılması şartsa, mutlaka kaçak akım cihazı (RCD) kullanın.** RCD kullanımı elektrik çarpmaya tehlikesini azaltır.
- 3) KİŞİLERİN GÜVENLİĞİ**
- a) **Dikkatli olun, ne yaptığınıza dikkat edin ve elektrikli el aletiyle çalışırken makul hareket edin. Yorgunsanız, ilaç kullanıyorsanız veya uyuşturucu madde ya da alkol etkisi altındaysanız aleti kullanmayın.** Aleti kullanırken bir anlık dikkatsizliğiniz ciddi yaralanmalara yol açabilir.
- b) **Daima kişisel korunma donanımları ve bir koruyucu gözlük kullanın.** Elektrikli el aletin türü ve kullanımına uygun olarak kullanacağınız toz maskesi, kaymayan sağlam iş ayakkabıları, koruyucu kask veya koruyucu kulaklık gibi kişisel korunma donanımlarını kullanmanız yaralanma tehlikesini büyük ölçüde azaltır.
- c) **Aleti yanlışlıkla çalıştırmaktan kaçının. Akım ikmal şebekesine ve/veya aküye bağlamadan, elinize alıp taşımadan önce elektrikli el aletin kapalı durumda olduğundan emin olun.** Elektrikli el aletini parmağınız şalter üzerinde dururken taşırsanız ve alet açıkken fişi prize sokarsanız kazalara neden olabilirsiniz.
- d) **Aleti çalıştırmadan önce ayar aletlerini veya tornavidaları aletten uzaklaştırın.** Dönen alet parçasına temas halinde bulunan bir uç veya anahtar yaralanmalara neden olabilir.
- e) **Kendinize çok fazla güvenmeyin. Duruşunuzun güvenli olmasına dikkat edin ve daima dengenizi koruyun.** Bu sayede aleti beklenmedik durumlarda daha iyi kontrol edersiniz.
- f) **Uygun iş elbiseleri giyin. Geniş giysiler giymeyin ve takı takmayın. Saçlarınızı ve giysilerinizi aletin hareketli parçalarından uzak tutun.** Bol giysiler, takılar veya uzun saçlar aletin hareketli parçaları tarafından tutulabilir.
- g) **Aletinize toz emme donanımı ve toz tutma donanımı takılabiliyorsa, bunların bağlı olup olmadığını ve doğru işlev görüp görmediklerini kontrol edin.** Toz emme donanımının kullanımı tozdan kaynaklanabilecek tehlikeleri azaltır.
- h) **Aletleri sık kullanmanız sebebiyle kazandığınız alışkanlıklar, güvenlik prensiplerine uymazı önlememelidir.** Dikkatsiz bir hareket, bir anda ciddi yaralanmalara yol açabilir.
- 4) ELEKTRİKLİ EL ALETLERİYLE DİKKATLİ ÇALIŞMAK VE ALETİ DOĞRU KULLANMAK**
- a) **Aleti aşırı ölçüde zorlamayın. İşinize uygun elektrikli el aletini kullanın.** Uygun elektrikli el aleti ile belirtilen performans alanında daha iyi ve daha güvenli çalışırsınız.
- b) **Açma/kapama şalteri arızalı olan elektrikli el aletini kullanmayın.** Açılıp kapanamayan bir elektrikli el aleti tehlikelidir ve onarılması gerekir.
- c) **Alette bir ayarlama işlemine başlamadan, herhangi bir aksesuarı değiştirirken veya aleti elinizden**

- bırakırken fişi prizden çekin veya aküyü çıkarın. Bu önlem, elektrikli el aletin yanlışlıkla çalışmasını önler.
- d) **Kullanım dışında iken elektrikli el aletinizi çocukların ulaşamayacağı bir yerde saklayın. Aleti kullanmayı bilmeyen veya bu güvenliğin talimatını okumayan kişilerin aleti kullanmasına izin vermeyin.** Deneyimsiz kişiler tarafından kullanıldıkları takdirde elektrikli el aletleri tehlikeli olabilirler.
- e) **Elektrikli el aletin ve aksesuarların bakımını özenle yapın. Aletin hareketli parçalarının kusursuz işlev görüp görmediklerini ve sıkışmadıklarını, parçaların kırık veya hasarlı olup olmadıklarını kontrol edin, aksi takdirde alet işlevini tam olarak yerine getiremez. Aleti kullanmadan önce hasarlı parçaları onartın.** Birçok iş kazası aletlerin kötü ve yetersiz bakımından kaynaklanır.
- f) **Kesici uçları keskin ve temiz tutun.** İyi bakım görmüş kesici uçlar daha ender sıkışır ve daha iyi yönlendirilirler.
- g) **Elektrikli el aletlerini, aksesuarı, uçları ve benzerlerini bu güvenlik talimatına uygun olarak kullanın. Aleti kullanırken çalışma koşullarını ve yaptığınız işi daima dikkate alın.** Elektrikli el aletlerini kendileri için öngörülen işlerin dışında kullanmak tehlikeli durumların ortaya çıkmasına neden olabilir.
- h) **Tutamak ve kavrama yüzeylerini kuru, yağsız ve temiz tutun.** Kaygan tutamak ve kavrama yüzeyleri, aletin beklenmeyen durumlarda güvenli şekilde tutulmasını ve kontrol edilmesini engeller.
- 5) AKÜLÜ ALETLERLE DİKKATLİ ÇALIŞMAK VE ALETLERİ DOĞRU KULLANMAK**
- a) **Aküleri sadece üretici tarafından tavsiye edilen şarj cihazlarında şarj edin.** Belirli bir tür akü için geliştirilmiş bir şarj cihazının değişik bir akü için kullanılması yangın tehlikesine yol açar.
- b) **Elektrikli el aletlerinde sadece o alet için öngörülen aküleri kullanın.** Başka akülerin kullanılması yaralanmalara ve yangın tehlikesinin ortaya çıkmasına neden olabilir.
- c) **Kullanım dışında bulunan aküleri, kontaklar arasında köprüleme yapma olasılığı bulunan büro ataçları, madeni paralar, anahtarlar, çiviler, vidalar veya diğer küçük metal eşya ve cisimlerden uzak tutun.** Akü kontakları arasındaki bir kısa devre yanmalara veya yangın çıkmasına neden olabilir.
- d) **Yanlış kullanım durumunda akünün dışına sıvılar sızabilir. Bu sıvılara temas etmeyin. Yanlışlıkla aküden sızan sıvılara temas eterseniz, temas yerini hemen su ile yıkayın. Eğer söz konusu sıvı gözünüzü kaçacak olursa hemen bir hekime başvurun.** Aküden dışarı sızan sıvılar cildinizde tahrişlere veya yanmalara neden olabilir.
- e) **Hasarlı veya değiştirilmiş akü veya el aleti kullanmayın.** Hasarlı veya değiştirilmiş aküler beklenmedik davranışlara yol açarak yangın, patlama ve yaralanmalara neden olabilir.
- f) **Akü veya aleti ateşe veya yüksek sıcaklıklara maruz bırakmayın.** Ateşe veya 130°C üstündeki sıcaklıklara maruz kalma patlamalara yol açabilir.
- g) **Tüm şarj talimatlarını uygulayın ve akü ya da aleti talimatlarda belirtilen sıcaklık aralığının dışında**

**şarj etmeyin.** Hatalı şarj veya belirtilen aralık dışındaki sıcaklıklarda şarj aküye zarar vererek yangın riskini yükseltebilir.

#### 6) SERVİS

- Aleti sadece uzman bir elemana ve orijinal yedek parçalar kullanılarak onartın.** Böylelikle aletin güvenliğini korumuş olursunuz.
- Hasarlı akülerde onarım işlemi yapmayın.** Akülerin onarımı sadece üretici veya yetkili servisler tarafından yapılmalıdır.

#### AKÜLÜ DARBELİ VİDALAMA MAKİNESİ İÇİN GÜVENLİK TALİMATLARI

- Kilidin gizli kablo tesisatına temas edebileceği bir işlem yaparken elektrikli aleti izolasyonlu tutamaklardan tutun** ("akım taşıyan" bir tele temas eden kilit, aletin metal parçalarında da "akım dolaşmasına" ve operatörü elektrik çarpmasına neden olabilir)

#### GENEL

- Kurşun içeren boya, bazı ahşap türleri, mineral ve metal gibi malzemelerden çıkan toz zararlı olabilir (tozla temasta bulunulması veya solunması operatörde veya yakında bulunan kişilerde alerjik reaksiyonlara ve/veya solunum yolu hastalıklarına neden olabilir); **toz maskesi takın ve toz ekstraksiyon cihazıyla çalışın (bağlanabiliyorsa)**
- Bazı toz tipleri (örneğin meşe ve kayın ağacı tozu), bilhassa ahşap yenileme katkı maddeleriyle birlikte, kanserojenik olarak sınıflandırılır; **toz maskesi takın ve toz ekstraksiyon cihazı ile çalışın (bağlanabiliyorsa)**
- Çalışmak istediğiniz malzemelerin, toz ile ilgili ulusal taleplerini takip edin
- Bu aletle asbest içeren malzemeleri işlemeyin** (asbest kanserojen bir madde kabul edilir)
- Herhangi bir aksesuar değişikliği ya da ayarlama yapmadan veya cihaz hareket halindeyken ve/veya boşta bekler vaziyette iken, B ② düğmesinin orta pozisyonunda (kilit pozisyonu) olduğuna emin olun

#### AKSESUARLAR

- SKIL sadece orijinal aksesuarlar kullanıldığında aletin düzgün çalışmasını garanti eder
- Bu aletle kullanacağınız aksesuar edilen devir sayısı en azından aletin boştaki en yüksek devir sayısı kadar olmalıdır

#### KULLANMADAN ÖNCE

- İş parçasının vida, çivi ve benzeri malzeme tarafından hasar görmemesi için dikkatli olun; çalışmaya başlamadan önce bunları çıkartın
- Çalıştığınız parçayı sabitleyin** (kıskaçlarla ya da mengeneyle sabitlenmiş bir iş parçası elle tutulan işten daha güvenlidir)
- Görünmeyen elektrik kablolarını belirlemek için uygun bir tarama cihazı kullanın veya yerel akım ikmal şirketlerinden yardım isteyin** (elektrik kablolarıyla temas, yangın çıkmasına veya elektrik çarpmalarına neden olabilir; bir gaz borusu hasar görürse patlama tehlikesi ortaya çıkar; bir su borusunun delinmesi halinde maddi hasarlar meydana gelebilir veya elektrik çarpması tehlikesi ortaya çıkabilir)

#### BATARYALAR

- Ürünle birlikte verilen akü (varsa) kısmen şarj edilmiştir** (bataryanın tam kapasiteyle çalışmasını sağlamak için, elektrikli aletinizi ilk kez kullanmadan önce

bataryayı batarya şarj cihazında tamamen şarj edin)

- Bu aletle sadece aşağıdaki bataryaları ve şarj cihazlarını kullanın**
  - SKIL bataryası: BR1\*31\*\*\*\*
  - SKIL şarj cihazı: CR1\*31\*\*\*\*
- Hasarlı bataryaları kullanmayın, hemen yenileyin
- Bataryayı sökmeyin
- Aleti/bataryayı yağmur altında bırakmayın
- İzin verilen ortam sıcaklığı (aleti/şarj cihazını/batarya):
  - şarjda 4...40°C
  - işletmede -20...+50°C
  - depolamada -20...+50°C

#### ALET/BATARYA ÜZERİNDE BULUNAN İŞARETLERİN AÇIKLAMASI

- ③ Kullanmadan önce kılavuzu okuyun
- ④ Piller ateşe maruz kaldığında patlar, bu yüzden herhangi bir nedenle pili yakmayın
- ⑤ Aleti, şarj cihazını ve bataryayı daima 0°- 50° arasındaki oda sıcaklığında saklayın
- ⑥ Elektrikli aletlerini ve pilleri evdeki çöp kutusuna atmayın

#### KULLANIM

- Açma/kapama ve hız kontrolü işlevini gören birleşik şalteri A ⑦
  - şaltere az veya çok basmak suretiyle hız sıfırdan maksimuma kadar kademesiz olarak ayarlanabilir A ⑧
- Bataryanın şarjı
  - ! şarj cihazı ile birlikte verilen güvenlik uyarıları ve talimatlarını okuyun**
- Bataryanın çıkarılması/takılması ②
- Batarya şarj süre göstergesi ⑨
  - mevcut batarya seviyesini ⑨m göstermek için batarya seviyesi gösterge düşmesine G basın
  - ! düğmeye G ⑨b bastıktan sonra batarya göstergesinin en düşük seviyesi yanıp sönmeye başladığında bataryanın şarjı bitmiş demektir**
  - ! düğmeye G ⑨c bastıktan sonra batarya göstergesinin 2 seviyeleri yanıp sönmeye başladığında batarya, izin verilen çalışma sıcaklığı aralığında değil demektir**
- Pil koruma
  - Aşağıdaki durumlarda alet aniden kapanır veya tekrar çalıştırılmaz
    - **yük çok yüksek olduğunda** --> yükü kaldırın ve yeniden çalıştırın
    - **akü sıcaklık aralığı olan -20 ila +50°C içinde değilse** --> düğmeye G ⑨c bastıktan sonra akü göstergesinin 2 seviyeleri yanıp sönmeye başladığında; bataryanın yeniden izin verilen çalışma sıcaklık aralığına dönmelerini bekleyin
    - **batarya bitmeye yakınken (aşırı boşalmaya karşı koruma sağlamak için)** --> düğmeye G basıldığında batarya seviye göstergesi tarafından düşük batarya seviyesi veya yanıp sönen düşük batarya seviyesi ⑨b gösterilir; bataryayı şarj edin
    - ! alet otomatik olarak kapandıktan sonra açma/kapama düğmesine basmayın; pil hasar görebilir**
- LED ışık ⑩
  - Açma/kapatma düğmesi etkinleştirildiğinde LED ışık otomatik olarak yanar
  - ! LED ışık yanıp sönmeye başladığında batarya koruması devreye girer (yukarıya bakın)**
- Uçları takma ve çıkarma

- bir ucu takmak için kilitleme manşonunu C ileri çekin, ucu, uç tutucuya takın ve ucu kilitlemek için kilitleme manşonunu C bırakın. (11a 11b 11c)
- ! **kilitleyip kilitlemediğini kontrol etmek için ucu çekin (11d)**
- bir ucu çıkarmak için kilitleme manşonunu C ileri çekin
- ! **sadece bilyeli mandalı olan uçları kullanın, diğer uçlar, bilyeli mandalı olan bir üniversal uç tutucu ile kullanılabilir**
- ! **sapı hasarlı olan uçları kullanmayın**
- Dönüş yönünü değiştirme 12
  - sol/sağ pozisyonları doğru olarak kilitleme yapmadığı takdirde, açma/kapama şalteri A 2 çalışmaz
  - ! **dönüş yönünü sadece alet tamamen dururken değiştirin**
- Mod seçimi 13
  - Alet ileri veya geri dönüğe ayarlandığında istenen sıkma veya gevşetme modunu seçmek için hız düğmesine (E) basın:
  - Düşük hız modu (D) 13a**
    - daha düşük kuvvetle ve düşük hızda sıkma veya gevşetme
    - daha küçük vidalar için
  - Yüksek hız modu (Y) 13b**
    - yüksek kuvvetle ve hızda sıkma veya gevşetme
    - büyük vidalar ve civatalar için
  - Kontrollü mod (Ok) 13c**
    - vidanın ahşaba yerleşmesine yardımcı olmak için yavaş hızda başlayın
    - vida yerleştikten sonra hız otomatik olarak artırılır
    - uzun vidalar, özellikle PHILLIPS/POZIDRIV vidalar için
    - ! **kontrollü mod sadece sıkma yönünde kullanılabilir; vida sökmek için orta hız kullanılır**
    - ! **modlar sadece açma/kapama düğmesine hafifçe bastıktan sonra (yeşil LED(ler) yanar) ve alet tamamen durduğunda değiştirilebilir**
- Pili koruma
  - Şu durumlarda aleti olarak kapatır veya aletin çalıştırılmasını önler, iken
  - yük çok yüksek olduğunda
  - batarya sıcaklığı uygun çalışma sıcaklık aralığı olan -20 ila +50°C içinde değil
  - lityum-iyon pil bitmeye yakinken (aşırı boşalmaya karşı koruma sağlamak için)
  - ! **alet otomatik olarak kapandıktan sonra açma/kapama düğmesine basmayın; pil hasar görebilir**
- Aletin tutulması ve kullanılması 14
  - ! **çalışma esnasında, aleti daima gri renkli bölge(ler) den tutun**
  - havalandırma yuvalarını D 2 açık tutun
  - alete çok fazla baskı uygulamayın; bırakın alet sizin için çalışsın

## UYGULAMA ÖNERİLERİ

- Uygun uçları kullanın
- Bir tahtanın baş kısmına veya sonuna bir vida vidalanırken, tahtanın yarılması için bir ön kılavuz delik açın
- Sert tahtaya vidalama yapmadan önce bir kılavuz delik açılmalıdır
- Bir vidayı sıkarken aşırı sıkmayın. Darbeli vidalama makinesinin kuvveti bağlantı elemanını kırabilir. Bağlantı elemanının başının hasar görmesini önlemek için aleti

vidayla aynı hızda tutun.

- Tork, darbeli çalışma süresine bağlıdır. Maksimum tork, 6-10 saniyelik bir darbeli çalışma süresinden sonra elde edilir.
- ! **Sıkma torkunu her zaman bir torklu vidalama aletiyle kontrol edin**
- Aletin optimum kullanımı için özellikle bir bağlantı elemanını çıkarırken civata üzerinde sabit bir basınç gereklidir.
- Daha fazla bilgi için bkz. [www.skil.com](http://www.skil.com)

## BAKIM / SERVİS

- Aleti daima temiz tutun (özellikle havalandırma yuvalarını D 2)
- ! **temizlemeden önce aletten bataryayı çıkarın**
- Dikkatli biçimde yürütülen üretim ve test yöntemlerine rağmen alet arıza yapacak olursa, onarım SKIL elektrikli aletleri için yetkili bir serviste yapılmalıdır
  - aleti **ambalajıyla** birlikte satın alma belgenizi de ekleyerek satıcınıza veya en yakın SKIL servisine ulaştırın (adresler ve aletin servis şemaları [www.skil.com](http://www.skil.com) adresinde listelenmiştir)
- Aşırı yüklenme ve yanlış kullanımın aleti garanti kapsamından çıkaracağını unutmayın (SKIL garanti koşulları için [www.skil.com](http://www.skil.com) adresine bakın veya satıcınıza başvurun)

## ÇEVRE

- **Elektrikli aletlerini, piller, aksesuarları ve ambalajları evdeki çöp kutusuna atmayın** (sadece AB ülkeleri için)
  - kullanılmış elektrikli aletleri, elektrik ve elektronik eski cihazlar hakkındaki 2012/19/EC Avrupa yönergelerine göre ve bu yönergeler ulusal hukuk kurallarına göre uyarlanarak, ayrı olarak toplanmalı ve çevre şartlarına uygun bir şekilde tekrar değerlendirmeye gönderilmelidir
  - sembol 6 size bunu anımsatmalıdır
  - ! **bataryayı tasfiye etmeden önce, kaçak akımları önlemek üzere batarya uçlarını ağır bir bantla sarın**

## GÜRÜLTÜ / TİTREŞİM

- EN 62841 uyarınca ölçülen bu aletin ses basıncı seviyesi 78 dB(A) ve ses gücü seviyesi 86 dB(A) (tolerans K = 3 dB), titreşimi ise <2,5 m/s<sup>2</sup> (triaks vektör toplamı; tolerans K = 1,5 m/s<sup>2</sup>)
- Titreşim emisyon seviyesi EN 62841'de sunulan standart teste göre ölçülmüştür; bu seviye, bir aleti bir başkasıyla karşılaştırmak amacıyla ve aletin söz konusu uygulamalarda kullanılması sırasında titreşime maruz kalma derecesinin ön değerlendirmesi olarak kullanılabilir
  - aletin farklı uygulamalar için veya farklı ya da bakımı yetersiz yapılmış aksesuarlarla kullanılması, maruz kalma seviyesini belirgin biçimde **artırabilir**
  - aletin kapalı olduğu veya çalıştığı ancak gerçek anlamda iş yapmadığı zamanlarda, maruz kalma seviyesi belirgin biçimde **azalabilir**
  - ! **aletin ve aksesuarlarının bakımını yaparak, ellerinizi sıcak tutarak ve iş modellerinizi düzenleyerek kendinizi titreşimin etkilerinden koruyun**

## Bezszcotkowa akumulatorowa wkrętarka udarowa

3211

### WSTĘP

- To narzędzie jest przeznaczone do wkręcania i wykręcania wkrętów i śrub
  - Prosimy sprawdzić, czy w opakowaniu znajdują się wszystkie części pokazane na rysunku ②
  - Jeżeli którejś części brakuje lub jeżeli jakaś część jest uszkodzona, należy skontaktować się z dystrybutorem
- Prosimy przeczytać i zachować niniejszą instrukcję. ③
  - Szczególną uwagę należy zwrócić na instrukcje i ostrzeżenia dotyczące bezpieczeństwa; zlekceważenie ich może doprowadzić do ciężkich urazów**

### DANE TECHNICZNE ①

Maks. moment obrotowy twardego wkręcania wg ISO 5393 : 250Nm

### ELEMENTY NARZĘDZIA ②

- A Przycisk włącznik/wyłącznik i regulator prędkości
- B Przełącznik zmiany kierunku rotacji
- C Tuleja blokująca
- D Szczeliny wentylacyjne
- E Przycisk prędkości
- F Lampka LED
- G Wskaźnik poziomu naładowania akumulatora
- H bit 50 mm

### BEZPIECZEŃSTWO

#### OGÓLNE OSTRZEŻENIA DOTYCZĄCE BEZPIECZEŃSTWA UŻYTKOWNIA ELEKTRONARZĘDZIA

**⚠ OSTRZEŻENIE** Należy przeczytać wszystkie ostrzeżenia dotyczące bezpieczeństwa, instrukcje, ilustracje i dane techniczne dostarczone z tym elektronarzędziem. Nieprzestrzeganie wszystkich poniższych instrukcji może skutkować porażeniem prądem, pożarem i/lub poważnym obrażeniem ciała.

**Wszystkie ostrzeżenia i wskazówki należy zachować do dalszego zastosowania.**

Użyte w poniższym tekście pojęcie "elektronarzędzie" odnosi się do elektronarzędzi zasilanych energią elektryczną z sieci (z przewodem zasilającym) i do elektronarzędzi zasilanych akumulatorami (bez przewodu zasilającego).

#### 1) BEZPIECZEŃSTWO MIEJSCA PRACY

- a) **Miejsce pracy należy utrzymywać w czystości i dobrze oświetlone.** Nieporządek lub nie oświetlone miejsce pracy mogą doprowadzić do wypadków.
- b) **Nie należy pracować tym narzędziem w otoczeniu zagrożonym wybuchem, w którym znajdują się np. łatwopalne ciecze, gazy lub pyły.** Elektronarzędzia

wytwarzają iskry, które mogą podpalić ten pył lub pary.

- c) **Elektronarzędzie trzymać podczas pracy z daleka od dzieci i innych osób.** Przy nieuwadze można stracić kontrolę nad narzędziem.

#### 2) BEZPIECZEŃSTWO ELEKTRYCZNE

- a) **Wtyczka urządzenia musi pasować do gniazda. Nie wolno modyfikować wtyczki w jakikolwiek sposób. Nie należy używać wtyczek adapterowych razem z uziemnionymi narzędziami.** Niezmienione wtyczki i pasujące gniazda zmniejszają ryzyko porażenia prądem.
  - b) **Należy unikać kontaktu z uziemnionymi powierzchniami jak rury, grzejniki, piece i lodówki.** Istnieje zwiększone ryzyko porażenia prądem, gdy Państwa ciało jest uziemnione.
  - c) **Urządzenie należy przechowywać zabezpieczone przed deszczem i wilgocią.** Wniknięcie wody do elektronarzędzia podwyższa ryzyko porażenia prądem.
  - d) **Nigdy nie należy używać kabla do noszenia urządzenia za kabel, zawieszenia lub do wyciągania wtyczki z gniazda. Kabel należy trzymać z daleka od wysokich temperatur, oleju, ostrych krawędzi lub ruchomych części urządzenia.** Uszkodzone lub poplątane kable zwiększają ryzyko porażenia prądem.
  - e) **W przypadku, kiedy elektronarzędziem pracuje się na świeżym powietrzu należy używać kabla przedłużającego, który dopuszczony jest do używania na zewnątrz.** Użycie dopuszczonego do używania na zewnątrz kabla przedłużającego zmniejsza ryzyko porażenia prądem.
  - f) **Jeżeli nie da się uniknąć zastosowania elektronarzędzia w wilgotnym otoczeniu, należy użyć wyłącznika ochronnego różnicowo-prądowego.** Zastosowanie wyłącznika ochronnego różnicowo-prądowego zmniejsza ryzyko porażenia prądem.
- #### 3) BEZPIECZEŃSTWO OSÓB
- a) **Należy być uważnym, uważać na to co się robi i pracę elektronarzędziem rozpocząć z rozsądkiem. Nie należy używać urządzenia gdy jest się zmęczonym lub pod wpływem narkotyków, alkoholu lub lekarstw.** Moment nieuwagi przy użyciu urządzenia może doprowadzić do poważnych urażeń ciała.
  - b) **Należy nosić osobiste wyposażenie ochronne i zawsze okulary ochronne.** Noszenie osobistego wyposażenia ochronnego jak maska przeciwpyłowa, nie ślizgające się buty robocze, hełm ochronny lub ochrona słuchu, w zależności od rodzaju i zastosowania elektronarzędzia zmniejsza ryzyko obrażeń ciała.
  - c) **Należy unikać niezamierzonego uruchomienia narzędzia. Przed włożeniem wtyczki do gniazdka i/lub podłączeniem do akumulatora, a także przed podniesieniem lub przeniesieniem elektronarzędzia, należy upewnić się, że elektronarzędzie jest wyłączone.** Trzymanie palca na wyłączniku podczas przenoszenia elektronarzędzia lub podłączenie do prądu włączonego narzędzia, może stać się przyczyną wypadków.
  - d) **Zanim urządzenie zostanie włączone należy usunąć narzędzia nastawcze lub klucze.** Narzędzie lub klucz, które znajdują się w ruchomych częściach urządzenia mogą doprowadzić do obrażeń ciała.
  - e) **Nie należy przeceniać swoich możliwości. Należy dbać o bezpieczną pozycję pracy i zawsze**

- utrzymywać równowagę. Przez to możliwa jest lepsza kontrola urządzenia w nieprzewidzianych sytuacjach.
- f) **Należy nosić odpowiednie ubranie. Nie należy nosić luźnego ubrania lub biżuterii. Włosy i ubranie należy trzymać z daleka od ruchomych elementów.** Luźne ubranie, biżuteria lub długie włosy mogą zostać pociągnięte przez poruszające się części.
- g) **W przypadku, kiedy możliwe jest zamontowanie urządzeń odsysających lub podchwytyjących należy upewnić się, czy są one właściwie podłączone i prawidłowo użyte.** Użycie urządzenia odsysającego pył może zmniejszyć zagrożenie pyłami.
- h) **Nie wolno pozwolić, aby rutyna nabyta w wyniku wielokrotnego użycia elektronarzędzia, zastąpiła ściśle przestrzeganie zasad bezpieczeństwa.** Niedbale obsługiwane elektronarzędzie może w ułamku sekundy wyrządzić istotne szkody lub spowodować ciężkie obrażenia.
- 4) UWAŻNE OBCOWANIE ORAZ UŻYCIĘ ELEKTRONARZĘDZIA**
- a) **Nie należy przeciążać urządzenia. Do pracy używać należy elektronarzędzia, które jest do tego przewidziane.** Odpowiednim narzędziem pracuje się lepiej i bezpieczniej w podanym zakresie sprawności.
- b) **Nie należy używać elektronarzędzia, którego włącznik/wyłącznik jest uszkodzony.** Elektronarzędzie, którego nie można włączyć lub wyłączyć jest niebezpieczne i musi zostać naprawione.
- c) **Przed rozpoczęciem jakichkolwiek prac nastawczych, przed wymianą osprzętu lub przed odłożeniem elektronarzędzia należy wyjąć wtyczkę z gniazda sieciowego i/lub usunąć akumulator.** Ten środek ostrożności zapobiega niezamierzonemu włączeniu się urządzenia.
- d) **Nie używane elektronarzędzia należy przechowywać poza zasięgiem dzieci. Nie należy udostępniać narzędzia osobom, które jego nie umieją lub nie przeczytały tych przepisów.** Używane przez niedoświadczonych osoby elektronarzędzia są niebezpieczne.
- e) **Elektronarzędzia i osprzęt należy utrzymywać w nienagannym stanie technicznym. Należy kontrolować, czy ruchome części urządzenia funkcjonują bez zarzutu i nie są zablokowane, czy części nie są pęknięte lub uszkodzone, co mogłoby mieć wpływ na prawidłowe funkcjonowanie urządzenia. Uszkodzone narzędzie należy przed użyciem urządzenia oddać do naprawy.** Wiele wypadków spowodowanych jest przez niewłaściwą konserwację elektronarzędzi.
- f) **Osprzęt tnący należy utrzymywać ostry i czysty.** Starannie pielęgnowany osprzęt tnący z ostrymi krawędziami tnącymi blokuje się rzadziej i łatwiej się używa.
- g) **Elektronarzędzia, osprzęt, narzędzia itd. należy używać odpowiednio do tych przepisów. Uwzględnić należy przy tym warunki pracy i czynność do wykonania.** Użycie elektronarzędzi do innych niż przewidziane prace może doprowadzić do niebezpiecznych sytuacji.
- h) **Uchwyty i powierzchnie chwytowe powinny być zawsze suche, czyste, niezabrudzone olejem ani smarem.** Śliskie uchwyty i powierzchnie chwytowe nie

- pozwalają na bezpieczne trzymanie narzędzia i kontrolę nad nim w nieoczekiwanych sytuacjach.
- 5) UWAŻNE OBCOWANIE I UŻYWANIE NARZĘDZI ZASILANYCH AKUMULATORAMI**
- a) **Akumulatory należy ładować tylko w ładowarkach, które polecił producent.** W ładowarce, która nadaje się do ładowania określonych akumulatorów istnieje niebezpieczeństwo pożaru, gdy użyte zostaną inne akumulatory.
- b) **Do elektronarzędzi należy używać jedynie przewidzianych do tego akumulatorów.** Użycie innych akumulatorów może doprowadzić do obrażeń ciała i niebezpieczeństwa pożaru.
- c) **Nie używany akumulator należy trzymać z daleka od spinaczy, monet, kluczy, gwoździ, śrub lub innych małych przedmiotów metalowych, które mogłyby spowodować zwarcie kontaktów.** Zwarcie pomiędzy kontaktami akumulatora może spowodować oparzenia lub pożar.
- d) **Przy niewłaściwym użyciu możliwe jest wydostanie się cieczy z akumulatora. Należy unikać kontaktu z nią. Przy przypadkowym kontakcie spłukać wodą. W przypadku, że ciecz dostała się do oczu należy dodatkowo skonsultować się z lekarzem.** Ciecz akumulatorowa może doprowadzić do podrażnienia skóry lub oparzeń.
- e) **Nie wolno użytkować uszkodzonych ani modyfikowanych akumulatorów i elektronarzędzi.** Uszkodzone lub przerabiane akumulatory mogą się nieprzewidzianie zachować, powodując niebezpieczne dla zdrowia skutki (zapłon, eksplozja, obrażenia ciała).
- f) **Akumulator należy trzymać z dala od ognia oraz chronić przed ekstremalnymi temperaturami.** Wskutek działania ognia lub temperatury przekraczającej 130°C akumulator może eksplodować.
- g) **Należy stosować się do wszystkich wskazówek dotyczących ładowania. Nie wolno ładować akumulatora lub elektronarzędzia w temperaturze znajdującej się poza zakresem sprecyzowanym w niniejszej instrukcji.** Niezgodne z instrukcją ładowanie lub ładowanie w temperaturze nie mieszczącej się w zalecanym zakresie może spowodować uszkodzenie akumulatora oraz zwiększa ryzyko pożaru.
- 6) SERWIS**
- a) **Naprawę urządzenia należy zlecić jedynie kwalifikowanemu fachowcowi i przy użyciu oryginalnych części zamiennych.** To gwarantuje, że bezpieczeństwo użytkownika zostanie zachowane.
- b) **Nie wolno w żadnym wypadku naprawiać uszkodzonego akumulatora.** Naprawy akumulatora można dokonywać wyłącznie u producenta lub w autoryzowanym punkcie serwisowym.

#### **INSTRUKCJE BEZPIECZEŃSTWA DLA AKUMULATOROWEJ ZAKRĘTARKI UDAROWEJ**

- **Podczas wykonywania prac, przy których śruba mogłaby natrafić na ukryte przewody elektryczne, elektronarzędzie należy trzymać za izolowane powierzchnie rękkości (kontakt z przewodem sieci zasilającej może spowodować przekazanie napięcia na części metalowe elektronarzędzia, co mogłoby doprowadzić do porażenia prądem elektrycznym)**

## OGÓLNE

- Pył pochodzący z takich materiałów, jak farby zawierające ołów, niektóre gatunki drzewa, minerały i metal może być szkodliwy (kontakt z nim lub wdychanie takiego pyłu może powodować reakcje alergiczne i/lub niewydolność oddechową u operatora lub osób towarzyszących); **należy zakładać maskę przeciwpyłową i pracować z urządzeniem odsysającym, jeżeli można je podłączyć**
- Niektóre rodzaje pyłu są zaklasyfikowane jako rakotwórcze (takie, jak pył dębu i buka) szczególnie w połączeniu z dodatkami do kondycjonowania drewna; **należy zakładać maskę przeciwpyłową i pracować z urządzeniem odsysającym pył, jeżeli można je podłączyć**
- Należy stosować się do lokalnych wymogów dotyczących pracy w otoczeniu pyłu powstającego podczas obróbki materiału
- **Nie należy obrabiać materiału zawierającego azbest** (azbest jest rakotwórczy)
- Przed regulacją elektronarzędzia, wymianą osprzętu, w czasie transportu lub podczas przechowywania należy upewnić się czy przełącznik B ② znajduje się w środkowym (blokada) położeniu (zabezpieczony)

## AKCESORIA

- SKIL może zagwarantować bezawaryjne działanie narzędzia tylko przy korzystaniu z oryginalnego wyposażenia dodatkowego
- Używać tylko akcesoriów, których dopuszczalna prędkość obrotowa jest co najmniej tak wysoka jak najwyższa prędkość obrotowa urządzenia na biegu bez obciążenia

## PRZED UŻYCIEM

- Uwaga na gwoździe, śruby i inne twarde przedmioty; przed przystąpieniem do obróbki powinny być usunięte z obrabianego przedmiotu; usunąć je przed rozpoczęciem pracy
- **Należy zabezpieczyć miejsce przeznaczone do zszycia** (miejsce przeznaczone do zszycia umieszczone w zaciskach lub imadle jest utrzymywane w miejscu bezpieczniejsze niż w ręku)
- **Aby wykryć ukryte przewody zasilające należy używać stosownych detektorów lub porozumieć się z miejscowymi zakładami energetycznymi** (kontakt z przewodami elektrycznymi może doprowadzić do pożaru i porażenia elektrycznego; uszkodzenie przewodu gazowego może doprowadzić do wybuchu; uszkodzenie przewodów instalacji wodociągowej powoduje szkody rzeczowe i może spowodować porażenie elektryczne)

## AKUMULATORY

- **Dostarczony akumulator, o ile występuje, jest częściowo naładowany** (aby zapewnić pełne naładowanie akumulatora, przed użyciem elektronarzędzia po raz pierwszy akumulator należy całkowicie naładować ładowarką)
- **Do narzędzia należy stosować wyłącznie poniższe akumulatory i ładowarki**
  - Akumulator SKIL: BR1\*31\*\*\*\*
  - Ładowarka SKIL: CR1\*31\*\*\*\*
- Uszkodzony akumulator natychmiast wymienić i nie używać do pracy
- Nie rozbierać akumulatora
- Elektronarzędzia/akumulatora nie należy narażać na działanie opadów atmosferycznych
- Dopuszczalna temperatura otoczenia (narzędzie/ładowarka/akumulator):

- podczas ładowania 4...40°C
- podczas pracy -20...+50°C
- podczas przechowywania -20...+50°C

## OBJAŚNIENIE SYMBOLI NA NARZĘDZIU/ AKUMULATORZE

- ③ Przed użyciem przeczytaj instrukcję obsługi
- ④ Akumulatory w kontakcie z ogniem mogą eksplodować, więc nie wolno ich pod żadnym pozorem spalać
- ⑤ Narzędzie/ładowarka/akumulator powinny być zawsze przechowywane w pomieszczeniu o temperaturze poniżej 50°C
- ⑥ Nie wyrzucaj elektronarzędzi i baterie wraz z odpadami z gospodarstwa domowego

## UŻYTKOWANIE

- Włącznik/wyłącznik ze sterowaniem prędkości obrotowej A ⑦
  - zmieniając stopień nacisku na przycisk włącznika/wyłącznika A ⑧ można bezstopniowo sterować prędkością w zakresie od zera do maksymalnej prędkości obrotowej
- Ładowanie akumulatora
  - ! **przeczytać wszystkie ostrzeżenia dotyczące bezpieczeństwa oraz instrukcje dostarczone z ładowarką**
- Usuwanie/montaż baterii ②
- Wskaźnik akumulatora ⑨
  - nacisnąć przycisk wskaźnika poziomu energii akumulatora G, aby wyświetlić bieżący poziom energii akumulatora ⑨n
  - ! **jeśli po naciśnięciu przycisku wskaźnik miga, wskazując najniższy poziom G ⑨b, akumulator jest wyczerpany**
  - ! **jeśli po naciśnięciu przycisku na wskaźniku migają 2 paski poziomu, G ⑨c, został przekroczony dopuszczalny limit temperatury roboczej akumulatora**
- System ochrony baterii
  - Urządzenie nagle wyłączy się lub nie można go włączyć, gdy
    - **obciążenie jest zbyt duże** --> usunąć obciążenie i uruchomić ponownie
    - **temperatura akumulatora jest poza dopuszczalnym zakresem wynoszącym od -20 do 50°C** --> 2 paski poziomu energii akumulatora na wskaźniku zaczną migać po naciśnięciu przycisku G ⑨c; poczekać, aż temperatura akumulatora powróci do dopuszczalnego zakresu
    - **akumulator jest prawie całkowicie wyczerpany (zabezpieczenie przed głębokim rozładowaniem)** --> naciśnięcie przycisku G powoduje wyświetlenie na wskaźniku niskiego poziomu akumulatora lub miganie paska niskiego poziomu akumulatora ⑨b; naładować akumulator
    - ! **po automatycznym wyłączeniu narzędzia nie naciskaj przycisku "on/off", ponieważ może to spowodować uszkodzenie akumulatora**
- Lampka LED ⑩
  - Po wciśnięciu włącznika, lampka LED zapala się automatycznie
  - ! **miganie lampki LED oznacza, że włączył się system ochrony akumulatora (patrz powyżej)**
- Zakładanie i wyjmowanie bitów

- aby zainstalować bit, pociągnąć tuleję blokującą C do przodu, włożyć bit do oporu w uchwyt na bity, a następnie puścić tuleję blokującą C, aby zablokować bit. (11a) (11b) (11c)
- ! **pociągnąć bit, by sprawdzić, czy jest zablokowany (11d)**
- aby wyjąć bit, należy pociągnąć tuleję blokującą C do przodu
- ! **należy używać tylko bitów z zatraskiem kulowym; innych bitów można używać z uniwersalnym uchwytem do bitów z zatraskiem kulowym**
- ! **nie używać bitów ze zniszczonym trzonkiem**
- Zmiana kierunku obrotów (12)
  - w przypadku niewłaściwej pozycji przełącznika w lewo/prawo przycisk włącznika/wyłącznika A (2) jest zablokowany
  - ! **kierunek obrotów zmieniać tylko wtedy, gdy narzędzie jest całkowicie zatrzymane**
- Wybór trybu (13)
  - gdy narzędzie będzie ustawione na obroty do przodu lub do tyłu, aby wybrać żądany tryb dokręcania lub odkręcania, należy naciskać przycisk prędkości E:
  - Tryb niskiej prędkości (L) (13a)**
    - dokręcanie lub odkręcanie z mniejszą siłą i niską prędkością
  - Tryb wysokiej prędkości (H) (13b)**
    - dokręcanie lub odkręcanie z dużą siłą i wysoką prędkością
    - do dużych wkrętów i śrub
  - Tryb kontrolowany (Strzałka) (13c)**
    - powolne wkręcanie na początku, aby ułatwić osadzenie wkręta w drewnie
    - automatyczne zwiększenie prędkości, gdy wkręt zostanie osadzony
    - do długich wkrętów, w szczególności wkrętów krzyżakowych PHILLIPS/POZIDRIV
    - ! **tryb kontrolowany jest możliwy tylko przy obrotach do przodu; w przypadku obrotów wstecznych jest stosowany dla średniej prędkości**
    - ! **tryby można zmieniać tylko po lekkim naciśnięciu włącznika/wyłącznika (zielone diody LED świecą) i gdy narzędzie jest całkowicie zatrzymane**
- Utrzymanie i prowadzenie narzędzia (14)
  - ! **podczas pracy zawsze trzymać narzędzie za uchwyt(y) ograniczone szarym kolorem**
  - szczeliny wentylacyjne D (2) powinny być odkryte
  - nie przyciskać narzędzia zbyt silnie; pozwól mu pracować dla siebie

## WSKAZÓWKI UŻYTKOWANIA

- Używać właściwych wiertel
- W celu uniknięcia rozwarstwiania przedmiotów drewnianych przy wkręcaniu wkrętów na brzegu należy otwór odpowiednio nawiercić
- Przy wkręcaniu wkrętów w twarde drewno wykonać otwór wstępny
- Śrub nie należy dokręcać za mocno. Siła wkrętarci udarowej może doprowadzić do zerwania elementu połączeniowego. Aby nie dopuścić do uszkodzenia łba elementu połączeniowego, narzędzie należy trzymać w jednej linii ze śrubą.
- Moment obrotowy zależy od czasu trwania pracy udarowej. Maksymalny moment obrotowy jest osiągnany

po 6-10 sekundach udaru.

**! moment dokręcania należy zawsze sprawdzać wkrętakiem**

- W celu optymalnego wykorzystania narzędzia wymagany jest stały nacisk na śrubę, szczególnie podczas usuwania elementu połączeniowego.
- Więcej informacji można znaleźć na stronie [www.skil.com](http://www.skil.com)

## KONSERWACJA / SERWIS

- Zawsze dbać o czystość narzędzia (a szczególnie otworów wentylacyjnych D (2))
- ! **przed rozpoczęciem czyszczenia wyjąć akumulator z narzędzia**
- Jeśli narzędzie, mimo dokładnej i wszechstronnej kontroli produkcyjnej ulegnie kiedykolwiek awarii, naprawę powinien przeprowadzić autoryzowany serwis elektronarzędzi firmy SKIL
  - odesłać **nierozebrany** narzędzie, wraz z dowodem zakupu, do dealera lub do najbliższego punktu usługowego SKIL (adresy oraz diagram serwisowy narzędzia znajdują się na stronach [www.skil.com](http://www.skil.com))
- Prosimy pamiętać, że uszkodzenia spowodowane przeciążeniem lub niewłaściwym użytkowaniem narzędzia nie podlegają gwarancji (warunki gwarancji SKIL znajdują się na [www.skil.com](http://www.skil.com) lub pytać swojego dealera)

## ŚRODOWISKO

- **Nie wyrzucaj elektronarzędzi, baterie, akcesoriów i opakowania wraz z odpadami z gospodarstwa domowego** (dotyczy tylko państw UE)
  - zgodnie z Europejską Dyrektywą 2012/19/WE w sprawie zużytego sprzętu elektrotechnicznego i elektronicznego oraz dostosowaniem jej do prawa krajowego, zużyte elektronarzędzia należy posegregować i zutylizować w sposób przyjazny dla środowiska
  - w przypadku potrzeby pozbycia się narzędzia, akcesoriów i opakowania - symbol (6) przypomni Ci o tym
  - ! **przed oddaniem akumulatora do punktu odbioru surowców wtórnych zabezpieczyć taśmą jego styki w celu uniknięcia powstawania prądów pełzających**

## HAŁASU / WIBRACJE

- Poziom ciśnienia akustycznego mierzonego zgodnie z normą EN 62841 wynosi 78 dB(A), a poziom mocy akustycznej wynosi 86 dB(A) (odchylenie K = 3 dB) <math>2,5 \text{ m/s}^2</math> (trójosiowa suma wektorowa; odchylenie K = 1,5  $\text{m/s}^2$ )
- Poziom emisji wibracji został zmierzony zgodnie z testem standaryzowanym podanym w EN 62841; może służyć do porównania jednego narzędzia z innym i jako ocena wstępna narażenia na wibracje w trakcie używania narzędzia do wymienionych zadań
  - używanie narzędzia do innych zadań, lub z innymi albo źle utrzymanymi akcesoriami, może znacząco **zwiększyć** poziom narażenia
  - przypadki, kiedy narzędzie jest wyłączone lub jest czynne, ale aktualnie nie wykonuje zadania, mogą

znacząco **zmniejszyć** poziom narażenia  
**! należy chronić się przed skutkami wibracji  
przez konserwację narzędzia i jego akcesoriów,  
zakładanie rękawic i właściwą organizację pracy**

RU

## Бесщеточный аккумуляторный ударный инструмент 3211

В состав эксплуатационных документов, предусмотренных изготовителем для продукции, могут входить настоящее руководство по эксплуатации, а также приложения. Информация о подтверждении соответствия содержится в приложении.

### Срок службы изделия

Срок службы изделия составляет 7 лет. Не рекомендуется к эксплуатации по истечении 5 лет хранения с даты изготовления без предварительной проверки (дату изготовления см. на этикетке).

### Перечень критических отказов и ошибочные действия персонала или пользователя

- не использовать с поврежденной рукояткой или поврежденным защитным кожухом
- не использовать при появлении дыма непосредственно из корпуса изделия
- не использовать с перебитым или оголенным электрическим кабелем
- не использовать на открытом пространстве во время дождя (в распыляемой воде)
- не включать при попадании воды в корпус
- не использовать при сильном искрении
- не использовать при появлении сильной вибрации

### Критерии предельных состояний

- перетёрт или повреждён электрический кабель
- повреждён корпус изделия

### Тип и периодичность технического обслуживания

Рекомендуется очистить инструмент от пыли после каждого использования.

### Хранение

- необходимо хранить в сухом месте
- необходимо хранить вдали от источников повышенных температур и воздействия солнечных лучей
- при хранении необходимо избегать резкого перепада температур
- хранение без упаковки не допускается
- подробные требования к условиям хранения смотрите в ГОСТ 15150 (Условие 1)

### Транспортировка

- категорически не допускается падение и любые механические воздействия на упаковку при транспортировке
- при разгрузке/погрузке не допускается использование любого вида техники, работающей по принципу зажима упаковки
- подробные требования к условиям транспортировки смотрите в ГОСТ 15150 (Условие 5)

## ВНИМАНИЕ!

**В случае возникновения перебоя в работе электроинструмента вследствие полного или частичного прекращения энергоснабжения или повреждения цепи управления энергоснабжением установите выключатель в положение Выкл., убедившись, что он не заблокирован (при его наличии) и отключите сетевую вилку от розетки или отсоедините съёмный аккумулятор (этим предотвращается неконтролируемый повторный запуск)**

## ВВЕДЕНИЕ

- Этот инструмент предназначен для завинчивания и отвинчивания шурупов, винтов и болтов
  - Убедитесь, что упаковка содержит все части, указанные на Рис. ②.
  - Если какой-либо компонент отсутствует или поврежден, свяжитесь с поставщиком.
- Изучите и сохраните данное руководство по эксплуатации ③.
  - **Обратите особое внимание на инструкции по технике безопасности и предупреждения — их несоблюдение может привести к серьезным травмам.**

## ТЕХНИЧЕСКИЕ ДАННЫЕ ①

Макс. крутящий момент завинчивания при соединении жестких конструкционных материалов по ИСО 5393 : 250Nm

## СТРАНА ИЗГОТОВЛЕНИЯ

Сделано в Китае

## ДЕТАЛИ ИНСТРУМЕНТА ②

- A** Курок-выключатель вкл/выкл и регулятор скорости
- B** Выключатель для изменения направления вращения
- C** Фиксаторная втулка
- D** Вентиляционные отверстия
- E** Кнопка регулировки скорости
- F** Светодиодная подсветка
- G** Индикатор уровня заряда
- H** Бита 50 мм

## БЕЗОПАСНОСТЬ

### ОБЩИЕ УКАЗАНИЯ ПО ТЕХНИКЕ БЕЗОПАСНОСТИ ОБ- РАЩЕНИЯ С ЭЛЕКТРОИНСТРУМЕНТАМИ

**⚠ ВНИМАНИЕ! Следует ознакомиться со всеми правилами техники безопасности, инструкциями, иллюстрациями и техническими данными, содержащимися в прилагаемых к этому электроинструменту материалах. Несоблюдение нижеперечисленных инструкций в полном объеме может повлечь поражение электрическим током, пожар и/или серьезную травму.**



**Сохраняйте эти инструкции и указания для будущего использования.**

Использованное в настоящих инструкциях и указаниях понятие “электроинструмент” распространяется на электроинструмент с питанием от сети (с кабелем питания от электросети) и на аккумуляторный электроинструмент (без кабеля питания от электросети).

### 1) БЕЗОПАСНОСТЬ РАБОЧЕГО МЕСТА

- a) **Соблюдайте чистоту и поддерживайте надлежащую освещенность на рабочем месте.** Беспорядок на рабочем месте или его плохое освещение могут привести к несчастным случаям.
- b) **Не используйте с электроинструментом во взрывоопасной среде, т.е. в непосредственной близости от легковоспламеняющихся жидкостей, газов или пыли.** В процессе работы электроинструмент искрит и искры могут воспламенить газы или пыль.
- c) **При работе с электроинструментом не допускайте детей или посторонних на Ваше рабочее место.** Отвлечение Вашего внимания может привести к потере контроля над работой электроинструмента.

### 2) ЭЛЕКТРИЧЕСКАЯ БЕЗОПАСНОСТЬ

- a) **Штепсельная вилка кабеля питания электроинструмента должна соответствовать розетке электросети. Не вносите никаких изменений в конструкцию вилки. Не используйте адаптеры для электроинструмента с защитным заземлением.** Заводские штепсельные вилки и соответствующие им сетевые розетки существенно снижают вероятность электрошока.
- b) **Избегайте механических контактов с такими заземленными поверхностями, как трубопроводы, системы отопления, плиты и холодильники.** При соприкосновении человека с заземленными предметами во время работы инструментом вероятность электрошока существенно возрастает.
- c) **Оберегайте электроинструмент от воздействия дождя и влаги.** Попадание воды в электроинструмент повышает вероятность электрического удара.
- d) **Используйте кабель строго по назначению. Не допускайте тянуть и передвигать электроинструмент за кабель или использовать кабель для вытягивания вилки из розетки. Оберегайте кабель инструмента от воздействия высоких температур, масла, острых кромок или движущихся частей электроинструмента.** Поврежденный или спутанный кабель повышает возможность электрического удара.
- e) **При работе на улице используйте удлинитель, предназначенный для работы вне помещения.** Использование такого удлинителя снижает вероятность электрического удара.
- f) **Если невозможно избежать применения электроинструмента в сыром помещении, то устанавливайте устройство защиты от утечки в землю.** Использование устройства защиты от утечки

в землю снижает риск электрического поражения.

### 3) ЛИЧНАЯ БЕЗОПАСНОСТЬ

- a) **Будьте внимательны, следите за тем, что Вы делаете и выполняйте работу обдуманно. Не пользуйтесь электроинструментом, если Вы устали или находитесь под воздействием транквилизаторов, алкоголя или медицинских препаратов.** Секундная потеря концентрации в работе с электроинструментом может привести к серьезным травмам.
  - b) **Используйте средства индивидуальной защиты. Защитные очки обязательны.** Средства индивидуальной защиты, такие как противопылевой респиратор, нескользящая защитная обувь, шлем-каска, средства защиты органов слуха применяются в соответствующих условиях работы обстоятельствах и минимизируют возможность получения травм.
  - c) **Предотвращайте непреднамеренное включение электроинструмента. Перед подключением электроинструмента к электропитанию и/или к аккумулятору убедитесь в выключенном состоянии электроинструмента.** Если Вы при транспортировке электроинструмента держите палец на выключателе или включенный электроинструмент подключаете к сети питания, то это может привести к несчастному случаю.
  - d) **Во избежание травм перед включением электроинструмента удалите регулировочный или гаечный ключ из вращающейся части электроинструмента.**
  - e) **Не переоценивайте свои возможности. Твердо стойте на ногах и удерживайте равновесие.** В таком положении вы сможете лучше контролировать электроинструмент в неожиданных ситуациях.
  - f) **Используйте подходящую рабочую одежду. Не надевайте свободную одежду и украшения. Держите волосы и одежду вдали от движущихся частей.** Свободная одежда, украшения или длинные волосы легко могут попасть в движущиеся части электроинструмента.
  - g) **При наличии пылеотсасывающих и пылесборных приспособлений убедитесь в том, что они подсоединены и используются надлежащим образом.** Применение пылеотсоса может снизить опасности, создаваемые пылью.
  - h) **Хорошее знание электроинструментов, полученное в результате часто их использования, не должно приводить к самоуверенности и игнорированию техники безопасности обращения с электроинструментами.** Одно небрежное действие за долю секунды может привести к серьезным травмам.
- ### 4) ЭКСПЛУАТАЦИЯ И УХОД ЗА ЭЛЕКТРОИНСТРУМЕНТОМ
- a) **Не перегружайте электроинструмент. Используйте тот электроинструмент, который предназначен для данной работы.** С подходящим электроинструментом Вы выполните работу лучше и надежней, используя весь диапазон его возможностей.
  - b) **Не используйте электроинструмент с**

- неисправным выключателем. Инструмент с неисправным выключателем опасен и подлежит ремонту.
- c) **До начала наладки электроинструмента, замены принадлежностей или прекращения работы отключайте штепсельную вилку от розетки сети и/или выньте, если это возможно, аккумулятор.** Данная мера предосторожности предотвращает случайное включение электроинструмента.
- d) **Храните неиспользуемый электроинструмент в недоступном для детей месте и не позволяйте использовать его лицам, не умеющим с ним обращаться или не ознакомленным с инструкцией по эксплуатации.** Электроинструменты представляют собой опасность в руках неопытных пользователей.
- e) **Тщательно ухаживайте за электроинструментом и принадлежностями. Проверяйте безупречность функции подвижных частей, лёгкость их хода, целостность всех частей и отсутствие повреждений, которые могут негативно сказаться на работе инструмента. При обнаружении повреждений сдайте инструмент в ремонт.** Большое число несчастных случаев связано с неудовлетворительным уходом за электроинструментом.
- f) **Режущие части инструмента необходимо поддерживать в заточенном и чистом состоянии.** При надлежащем уходе за режущими принадлежностями с острыми кромками они реже заклиниваются и инструмент лучше поддаётся контролю.
- g) **Используйте электроинструмент, принадлежности, биты и т.д. в соответствии с данными инструкциями, исходя из особенностей условий и характера выполняемой работы.** Использование электроинструмента не по назначению может привести к опасным последствиям.
- h) **Держите ручки и поверхности захвата сухими и чистыми, следите чтобы на них чтобы на них не было жидкой или консистентной смазки.** Скользкие ручки и поверхности захвата препятствуют безопасному обращению с инструментом и не дают надёжно контролировать его в непредвиденных ситуациях.
- 5) **Эксплуатация и уход за аккумуляторным электроинструментом**
- a) **Зарядка аккумуляторной батареи производится только на тех зарядных устройствах, которые рекомендованы изготовителем.** Использование нерегламентированных зарядных устройств для зарядки аккумуляторной батареи может привести к возгоранию.
- b) **В электроинструменте надлежит использовать только те аккумуляторные батареи, которые предусмотрены для данного инструмента.** Использование других аккумуляторных батарей может привести к травмам и возникновению пожарной опасности.
- c) **Не оставляйте аккумуляторную батарею рядом с металлическими предметами – канцелярскими скрепками, монетами, ключами,**

- гвоздями, винтами и другими металлическими предметами, которые могут замкнуть контакты.** Короткое замыкание контактов аккумуляторной батареи может привести к ожогу или пожару.
- d) **В случаях ненадлежащего обращения с аккумуляторной батареей из нее может вытечь жидкость. Избегайте контакта с ней. При случайном попадании жидкости на кожу – промойте водой. При попадании жидкости в глаза, обратитесь также за помощью к врачу.** Вытекшая аккумуляторная жидкость может привести к раздражению кожи или ожогам.
- e) **Не используйте поврежденные или измененные аккумуляторы или инструменты.** Поврежденные или измененные аккумуляторы могут повести себя непредсказуемо, что может привести к возгоранию, взрыву или риску получения травмы.
- f) **Не кладите аккумулятор или инструмент в огонь и не подвергайте их воздействию высоких температур.** Огонь или температура выше 130°C могут привести к взрыву.
- g) **Выполняйте все инструкции по зарядке и не заряжайте аккумулятор или инструмент при температуре, выходящей за указанный в инструкции диапазон.** Неправильная зарядка или зарядка при температурах, выходящих за указанный диапазон, могут повредить батарею и повысить риск возгорания.
- 6) **СЕРВИСНОЕ ОБСЛУЖИВАНИЕ**
- a) **Передавайте электроинструмент на сервисное обслуживание только квалифицированному персоналу, использующему только подлинные запасные части.** Это обеспечит сохранение безопасности электроинструмента.
- b) **Никогда не обслуживайте поврежденные аккумуляторы.** Обслуживать аккумуляторы разрешается только производителю или авторизованной сервисной организации.

#### **ПРАВИЛА ТЕХНИКИ БЕЗОПАСНОСТИ ПРИ РАБОТЕ С АККУМУЛЯТОРНЫМ УДАРНЫМ ШУРУПОВЕРТОМ**

- **Если при пользовании инструментом крепеж может задеть скрытую проводку, инструмент следует держать за изолированные поверхности (контакт крепежа с находящейся под напряжением проводкой может привести к подаче напряжения на металлические части инструмента и поражению оператора электротоком)**

#### **ОБЩЕЕ**

- Пыль от таких материалов, как свинцовосодержащая краска, некоторые породы дерева, минералы и металл, может быть вредна (контакт с такой пылью или ее вдыхание может стать причиной возникновения у оператора или находящихся рядом лиц аллергических реакций и/или респираторных заболеваний); **надевайте респиратор и работайте с пылеудаляющим устройством при включении инструмента**
- Некоторые виды пыли классифицируются как канцерогенные (например, дубовая или буковая пыль), особенно в сочетании с добавками для кондиционирования древесины; **надевайте респиратор и работайте с пылеудаляющим**

- устройством при включении инструмента
- Следуйте принятым в вашей стране требованиям/ нормативам относительно пыли для тех материалов, с которыми вы собираетесь работать
- **Не обрабатывайте материалы с содержанием асбеста** (асбест считается канцерогеном)
- Убедитесь в том, что выключатель В ② находится в центральном положении (выключен) перед тем, как Вы начнете выполнять настройку инструмента или смену принадлежности, а также при переноске и хранении инструмента

#### ПРИНАДЛЕЖНОСТИ

- SKIL обеспечивает надёжную работу инструмента только при использовании соответствующих приспособлений
- Использовать только принадлежности, предельно допустимая скорость вращения которых не меньше, чем максимальная скорость вращения прибора на холостом ходу

#### ПЕРЕД ИСПОЛЬЗОВАНИЕМ

- Избегайте повреждений, которые могут быть вызваны винтами, гвоздями и прочими элементами, находящимися в обрабатываемом предмете; перед началом работы их нужно удалить
- **Закрепите обрабатываемую деталь** (обрабатываемая деталь, зафиксированная посредством зажимных устройств или тисков, закрепляется лучше, нежели при помощи рук)
- **Используйте подходящие металлодетекторы для нахождения скрытых проводов снабжения или наведите справки в местных предприятиях коммунального хозяйства** (контакт с электропроводкой может привести к пожару и электрическому удару; повреждение газопровода может привести к взрыву; повреждение водопровода может привести к повреждению имущества или вызвать электрический удар)

#### АНКУМУЛЯТОРЫ

- **Аккумулятор (при наличии) поставляется частично заряженным.** (чтобы воспользоваться полной емкостью аккумулятора, полностью зарядите аккумулятор в зарядном устройстве перед первым использованием электроинструмента)
- **При эксплуатации инструмента следует пользоваться только следующими аккумуляторами и зарядными устройствами**
  - Аккумулятор SKIL: BR1\*31\*\*\*\*
  - Зарядное устройство SKIL: CR1\*31\*\*\*\*
- Запрещается использовать поврежденный аккумулятор; немедленно замените его
- Запрещается разбирать аккумулятор
- Не оставляйте инструмент / аккумулятор под дождем
- Допустимая температура окружающей среды (инструмент/зарядное устройство/аккумулятор):
  - при зарядке 4...40°C
  - при эксплуатации -20...+50°C
  - при хранении -20...+50°C

#### ПОЯСНЕНИЯ К УСЛОВНЫМ ОБОЗНАЧЕНИЯМ НА ИНСТРУМЕНТЕ/АНКУМУЛЯТОРНОЙ БАТАРЕЕ

- ③ Перед использованием ознакомьтесь с руководством по эксплуатации
- ④ При попадании в огонь батареи взрываются, поэтому ни в коем случае не жгите батареи
- ⑤ В зоне хранения инструмента, зарядного устройства и аккумулятора температура не должна подниматься

выше 50°C

- ⑥ Не выкидывайте электроинструмент и батареи вместе с бытовым мусором

## ИСПОЛЬЗОВАНИЕ

- Комбинированный выключатель предназначен для включения/выключения инструмента и регулирования частоты вращения А ⑦
  - скорость регулируется плавно в диапазоне от нуля до максимального значения путем изменения нажатия на курок выключателя А ⑧
- Зарядка аккумулятора
  - ! **ознакомьтесь с прилагаемыми к зарядному устройству правилами техники безопасности**
- Извлечение / установка аккумулятора ②
- Индикатор уровня заряда ⑨
  - чтобы узнать текущий уровень заряда аккумулятора ⑨о, нажмите на кнопку индикатора уровня заряда G
  - ! **если после нажатия кнопки G ⑨b начинает мигать самый низкий уровень индикатора батареи, значит аккумулятор разряжен**
  - ! **если после нажатия кнопки G ⑨с начинают мигать уровни 2 индикатора батареи, значит температура аккумулятора находится за пределами допустимого диапазона рабочих температур**
- Защита аккумулятора
  - Инструмент внезапно выключается или не может быть включен, когда
    - **нагрузка слишком высока** --> уменьшите нагрузку и выполните перезапуск
    - **температура аккумулятора выходит за пределы допустимого диапазона рабочих температур от -20 до +50 °C** --> при нажатии кнопки G ⑨с начинают мигать уровни 2 индикатора уровня заряда батареи; дождитесь, пока температура аккумулятора вернется в допустимый диапазон рабочих температур
    - **аккумулятор почти разряжен (для защиты от глубокого разряда)** --> низкий уровень заряда батареи или мигающий низкий уровень заряда батареи ⑨b отображается индикатором уровня заряда батареи при нажатии кнопки G; зарядите аккумулятор
    - ! **в случае автоматического выключения инструмента не пытайтесь включить его снова, поскольку при этом может быть повреждена батарея**
- Светодиодная подсветка ⑩
  - При активации выключателя автоматически начинает светиться светодиодная подсветка.
  - ! **Если светодиодная подсветка начинает мигать, активируется защита аккумулятора (см. выше).**
- Установка и извлечение бит
  - Чтобы установить бит, потяните стопорную муфту С вперед, вставьте бит в держатель и отпустите стопорную муфту С, чтобы зафиксировать бит. (⑩a ⑩b ⑩c)
  - ! **Потяните бит вперед и убедитесь, что она зафиксирована (⑩d)**
  - Чтобы извлечь бит, потяните стопорную муфту С вперед.

**! Используйте только биты с шариковым фиксатором. Другие биты можно использовать с универсальным держателем бит с шариковым фиксатором.**

**! Не используйте биты с поврежденным хвостовиком.**

- Изменение направления вращения  $\textcircled{12}$ 
  - выключатель вкл/выкл А  $\textcircled{2}$  не работает, если не установлен в положение лево/право

**! изменять направление вращения следует только в момент полной остановки инструмента**

- Выбор режима  $\textcircled{13}$ 
  - Нажмите кнопку регулировки скорости Е, чтобы выбрать нужный режим затяжки или ослабления, когда инструмент настроен на вращение вперед или назад.

**Низкоскоростной режим (L)  $\textcircled{13a}$**

- Затяжка или ослабление с меньшим усилием и на низкой скорости.
- для малых винтов

**Высокоскоростной режим (H)  $\textcircled{13b}$**

- Затяжка или ослабление с большим усилием и на высокой скорости.
- для больших винтов и болтов

**Управляющий режим (стрелка)  $\textcircled{13c}$**

- вращение начинается на малой скорости, чтобы наживить винт в дереве
- скорость автоматически увеличивается после наживления винта
- для длинных винтов, особенно винтов PHILLIPS/POZIDRIV

**! управляющий режим работает только с правым вращением; вращение в обратном направлении осуществляется на средней скорости**

**! режим можно сменить только после легкого нажатия кнопки вкл./выкл. (загораются один или несколько зеленых светодиодов) и полного останова инструмента**

- Удерживание и направление инструмента  $\textcircled{14}$ 
  - ! во время работы, всегда держите инструмент за места правильного хвата, которые обозначены серым цветом**
  - содержите вентиляционные отверстия D  $\textcircled{2}$  не закрытыми
  - не прилагайте чрезмерных усилий к инструменту; дайте инструменту поработать за Вас

## СОВЕТЫ ПО ИСПОЛЬЗОВАНИЮ

- Используйте только надлежащие биты
- При завинчивании шурупа в месте поперечного среза или рядом с ним, а также на кромке деревянной детали рекомендуем во избежание образования трещин сначала просверлить отверстие
- При закручивании в твердое дерево предварительно просверлите отверстие для шурупа.
- Не перетягивайте винты и шурупы. Сила ударного инструмента может сломать крепление. Держите инструмент на одной линии с винтом, чтобы не повредить головку крепежа.
- Крутящий момент зависит от продолжительности удара. Максимальный крутящий момент достигается после продолжительности удара 6–10 секунд.

**! Всегда проверяйте момент затяжки динамометрическим ключом.**

- Для обеспечения оптимального режима работы инструмента нажимайте на болт с постоянным усилием, особенно при откручивании.
- Дополнительную информацию см. на сайте [www.skil.com](http://www.skil.com).

## ТЕХОБСЛУЖИВАНИЕ / СЕРВИС

- Инструмент следует содержать в чистоте (особенно вентиляционные отверстия D  $\textcircled{2}$ )
  - ! перед чисткой следует извлечь из инструмента аккумулятор**
- Если инструмент, несмотря на тщательные методы изготовления и испытания, выйдет из строя, то ремонт следует производить силами авторизованной сервисной мастерской для электроинструментов фирмы SKIL
  - отправьте **неразобранный** инструмент со свидетельством покупки Вашему дилеру или в ближайшую станцию обслуживания фирмы SKIL (адреса и схема обслуживания инструмента приведены в вебсайте [www.skil.com](http://www.skil.com))
- Примите к сведению, что повреждения вследствие перегрузки или ненадлежащего обращения с инструментом не будут включены в гарантию (условия гарантии SKIL см. на сайте [www.skil.com](http://www.skil.com) или узнайте у дилера в Вашем регионе)

## ОХРАНА ОКРУЖАЮЩЕЙ СРЕДЫ

- **Не выкидывайте электроинструмент, батареи, принадлежности и упаковку вместе с бытовым мусором** (только для стран ЕС)
  - во исполнение европейской директивы 2012/19/ЕС об утилизации отслужившего свой срок электрического и электронного оборудования и в соответствии с действующим законодательством, утилизация электроинструментов производится отдельно от других отходов на предприятиях, соответствующих условиям экологической безопасности
  - значок  $\textcircled{E}$  напоминает Вам об этом, когда появится необходимость сдать электроинструмент на утилизацию
- ! перед тем как выбросить аккумуляторы или направить их на утилизацию, изолируйте клеммы аккумуляторов прочной изоляционной лентой для исключения короткого замыкания**

## ШУМ / ВИБРАЦИЯ

- Согласно измерениям в соответствии с EN 62841 уровень звукового давления этого инструмента составляет 78 дБ(A), уровень звуковой мощности — 86 дБ(A) (погрешность K = 3 дБ), а вибрация <2,5 м/с<sup>2</sup> (векторная сумма по трем осям; погрешность K = 1,5 м/с<sup>2</sup>)
- Уровень вибрации был измерен в соответствии со стандартизированным испытанием, содержащимся в EN 62841; данная характеристика может использоваться для сравнения одного инструмента с другим, а также для предварительной оценки воздействия вибрации при использовании данного инструмента для указанных целей

- при використанні інструмента в інших цілях або з іншими/неисправними допоміжними пристосуваннями рівень впливу вібрації може значно **підвищитися**
  - в періоди, коли інструмент вимкнений або працює без фактичного виконання роботи, рівень впливу вібрації може значно **знижуватися**
- ! захищайте себе від впливу вібрації, підтримуючи інструмент в хорошому стані, підтримуючи руки в теплі, а також правильно організуйте свій робочий процес**

UA

## Безпечна бездротова ударна викрутка

3211

### ВСТУП

- Цей інструмент, що має праві/ліві обертачі, призначений для вкручування та викручування гвинтів і болтів
  - Переконайтеся, що упаковка містить усі деталі, як показано на зображенні ②
  - Якщо деталі відсутні або пошкоджені, зверніться до свого дилера
- Прочитайте і збережіть цю інструкцію з експлуатації ③
  - Зверніть особливу увагу на правила та попередження з техніки безпеки; їх недотримання може призвести до серйозної травми

### ТЕХНІЧНІ ДАНІ ①

Макс. обертовий момент при закручуванні в жорсткі матеріали відп. до ISO 5393 : 250Nm

### ЕЛЕМЕНТИ ІНСТРУМЕНТА ②

- A** Вимикач для вкл/викл та регулювання швидкості
- B** Вимикач для зміни напрямку обертання
- C** Фіксаторна втулка
- D** Вентиляційні отвори
- E** Кнопка швидкості
- F** Світлодіодний індикатор
- G** Індикатор рівня заряду батареї
- H** Шліцева біта 50 мм

### БЕЗПЕКА

#### ЗАГАЛЬНІ ВКАЗІВКИ З ТЕХНІКИ БЕЗПЕКИ ПОВЕДІННЯ З ЕЛЕКТРОІНСТРУМЕНТАМИ

**⚠ ПОПЕРЕДЖЕННЯ** Уважно вивчіть запобіжні заходи та ілюстрації, а також прочитайте вказівки та технічні умови, що входять в комплект поставки цього електроінструменту. Недотримання нижчеперелічених вказівок у повному обсязі може спричинити ураження електричним струмом, пожежу та

/ або серйозну травму.

**Добре зберігайте на майбутнє ці попередження і вказівки.**

Під поняттям "електроприлад" в цих попередженнях мається на увазі електроприлад, що працює від мережі (з електрокабелем) або від акумуляторної батареї (без електрокабелю).

#### 1) БЕЗПЕКА НА РОБОЧОМУ МІСЦІ

- a) **Примайте своє робоче місце в чистоті та прибирайте його.** Безлад або погане освітлення на робочому місці можуть призводити до нещасних випадків.
- b) **Не працюйте з приладом у середовищі, де існує небезпека вибуху внаслідок присутності горючих рідин, газів або пилу.** Електроприлади можуть породжувати іскри, від яких може займатися пил або пари.
- c) **Під час працювання з приладом не підпускайте до робочого місця дітей та інших людей.** Ви можете втратити контроль над приладом, якщо Ваша увага буде відвернута.

#### 2) ЕЛЕКТРИЧНА БЕЗПЕКА

- a) **Штепсель приладу повинен пасувати до розетки. Не дозволяється що-небудь міняти в штепселі.** Для роботи з приладами, що мають захисне заземлення, не використовуйте адаптери. Використання оригінального штепселя та належної розетки зменшує ризик удару електричним струмом.
- b) **Уникайте контакту частей тіла із заземленими поверхнями, як напр., трубами, батареями опалення, печами та холодильниками.** Коли Ваше тіло заземлене, існує збільшена небезпека удару електричним струмом.
- c) **Захищайте прилад від дощу та вологи.** Попадання води в електроінструмент збільшує ризик удару електричним струмом.
- d) **Не використовуйте кабель для перенесення приладу, підвішування або витягування штепселя з розетки. Захищайте кабель від жару, олії, гострих країв та деталей приладу, що рухаються.** Пошкоджений або закручений кабель збільшує ризик удару електричним струмом.
- e) **Для зовнішніх робіт обов'язково використовуйте лише такий подовжувач, що допущений для зовнішніх робіт.** Використання подовжувача, що розрахований на зовнішні роботи, зменшує ризик удару електричним струмом.
- f) **Якщо не можна запобігти використанню електроприладу у вологому середовищі, використовуйте пристрій захисту від витоку в землю.** Використання зрестрою захисту від витоку в землю зменшує ризик удару електричним струмом.

#### 3) БЕЗПЕКА ЛЮДЕЙ

- a) **Будьте уважними, слідкуйте за тим, що Ви робите, та розсудливо поведіться під час роботи з електроприладом. Не користуйтеся приладом, якщо Ви стомлені або знаходитесь під дією наркотиків, спиртних напоїв або лік.** Мить неуважності при користуванні приладом може призводити до серйозних травм.

- b) **Вдягайте особисте захисне спорядження та обов'язково вдягайте захисні окуляри.** Вдягання особистого захисного спорядження, як напр., - в залежності від виду робіт - захисної маски, спецвзуття, що не ковзається, каски або навушників, зменшує ризик травм.
- c) **Уникайте ненавмисного вмикання.** Перш ніж вмикати електроприлад в електромережу або встромляти акумуляторну батарею, брати його в руки або переносити, впевніться в тому, що електроприлад вимкнений. Тримання пальця на вимикачі під час перенесення електроприладу або встромляння в розетку увімкненого приладу може призводити до травм.
- d) **Перед тим, як вмикати прилад, приборіть налагоджувальні інструменти та гайковий ключ.** Знаходження налагоджувального інструмента або ключа в деталі, що обертається, може призводити до травм.
- e) **Не переоцінюйте себе. Зберігайте стійке положення та завжди зберігайте рівновагу.** Це дозволить Вам краще зберігати контроль над приладом у несподіваних ситуаціях.
- f) **Вдягайте придатний одяг. Не вдягайте просторий одяг та прикраси. Не підставляйте волосся й одяг до деталей, що рухаються.** Просторий одяга, прикраси та довге волосся можуть попадати в деталі, що рухаються.
- g) **Якщо існує можливість монтувати пиловідсмоктувальні або пилоуловлювальні пристрої, переконайтеся, щоб вони були добре під'єднані та правильно використовувалися.** Використання пиловідсмоктувального пристрою може зменшити небезпеки, зумовлені пилом.
- h) **Добре знання електроінструментів, отримане в результаті частого їх використання, не повинно призводити до самовпевненості й ігнорування принципів техніки безпеки.** Необережна дія може в одну мить призвести до важкої травми.
- 4) **ПРАВИЛЬНЕ ПОВОДЖЕННЯ ТА КОРИСТУВАННЯ ЕЛЕКТРОПРИЛАДАМИ**
  - a) **Не перевантажуйте прилад.** Використовуйте такий прилад, що спеціально призначений для певної роботи. З придатним приладом Ви з меншим ризиком отримаєте кращі результати роботи, якщо будете працювати в зазначеному діапазоні потужності.
  - b) **Не користуйтеся приладом з пошкодженим вимикачем.** Прилад, який не можна увімкнути або вимкнути, є небезпечним і його треба відремонтувати.
  - c) **Перед тим, як регулювати що-небудь на приладі, міняти приладдя або ховати прилад, витягніть штепсель із розетки та/або витягніть акумуляторну батарею, якщо вона знімається.** Ці попереджувальні заходи з техніки безпеки зменшують ризик ненавмисного запуску приладу.
  - d) **Зберігайте електроприлади, якими Ви саме не користуєтесь, далеко від дітей.** Не дозволяйте користуватися електроприладом особам, що не знайомі з його роботою або не читали ці вказівки. У разі застосування недосвідченими особами прилади несуть в собі небезпеку.
- e) **Старанно доглядайте за електроінструментами і приладдям.** Перевірте, щоб рухомі деталі приладу бездоганно працювали та не заїдали, не були поламаними або настільки пошкодженими, щоб це могло вплинути на функціонування приладу. Пошкоджені деталі треба відремонтувати в авторизованій майстерні, перш ніж ними можна знову користуватися. Велика кількість нещасних випадків спричиняється поганим доглядом за електроприладами.
- f) **Тримайте різальні інструменти добре нагостреними та в чистоті.** Старанно доглянуті різальні інструменти з гострим різальним краєм менше застряють та їх легше вести.
- g) **Використовуйте електроприлади, приладдя до них, робочі інструменти т.і. відповідно до цих вказівок.** Беріть до уваги при цьому умови роботи та специфіку виконуваної роботи. Використання електроприладів для робіт, для яких вони не передбачені, може призводити до небезпечних ситуацій.
- h) **Тримайте рукоятки і поверхні захвату сухими і чистими, слідуйте, щоб на них не було оливи або густого мастила.** Слизькі рукоятки і поверхні захвату унеможливають безпечне поводження з електроінструментом та його контролювання в неочікуваних ситуаціях.
- 5) **ПРАВИЛЬНЕ ПОВОДЖЕННЯ ТА КОРИСТУВАННЯ ЕЛЕКТРОПРИЛАДАМИ, ЩО ПРАЦЮЮТЬ НА АКУМУЛЯТОРНИХ БАТАРЕЯХ**
  - a) **Заряджуйте акумуляторні батареї лише в заряджувальних пристроях, рекомендованих виготовлювачем.** Використання заряджувального пристрою для акумуляторних батарей, для яких він не передбачений, може призводити до пожежі.
  - b) **Використовуйте в електроприладах лише рекомендовані акумуляторні батареї.** Використання інших акумуляторних батарей може призводити до травм та пожежі.
  - c) **Не зберігайте акумуляторну батарею, якою Ви саме не користуєтесь, поряд із канцелярськими скріпками, ключами, гвіздками, гвинтами та іншими невеликими металевими предметами, які можуть спричинити перемикання контактів.** Коротке замикання між контактами акумуляторної батареї може спричинити опіки або пожежу.
  - d) **При неправильному використанні з акумуляторної батареї може потіти рідина.** Уникайте контакту з нею. При випадковому контакті промийте відповідне місце водою. Якщо рідина потрапила в очі, додатково зверніться до лікаря. Акумуляторна рідина може спричинити подразнення шкіри або опік.
  - e) **Не використовуйте пошкоджені або модифіковані акумулятори або електроінструменти.** Пошкоджені або модифіковані акумулятори поведуться неочікувано, що може призвести до пожежі, вибуху або ризику травм.
  - f) **Не піддавайте акумулятор або електроінструмент дії вогню або високих температур.** Вогонь або температури вищі за 130°C можуть призвести до вибуху.
  - g) **Виконуйте всі вказівки із заряджання і не**

заряджайте акумулятор або електроінструмент за температур, що виходять за вказані в інструкції межі. Неправильне заряджання або заряджання за температур, що виходять за вказані межі, може пошкодити батарею і підвищити ризик займання.

#### 6) СЕРВІС

- a) Віддавайте свій прилад на ремонт лише кваліфікованим фахівцям та лише з використанням оригінальних запчастин. Це забезпечить безпечність приладу на довгий час.
- b) Ніколи не обслуговуйте пошкоджені акумулятори. Обслуговувати акумулятори дозволяється лише виробнику або авторизованим сервісним організаціям.

### ІНСТРУКЦІ З ТЕХНІКИ БЕЗПЕКИ ДЛЯ АКУМУЛЯТОРНОГО УДАРНОГО ШУРУПОВЕРТА

- Під час работ, коли гвинту може зачепити заховану електропроводку, тримайте електроінструмент за ізольовані рукоятки (защеплення проводки, що знаходиться під напругою, може заряджувати також і металеві частини електроінструмента та призводити до удару електричним струмом)

#### ЗАГАЛЬНЕ

- Пилять від таких матеріалів, як свинцовоутримуюча фарба, деякі породи дерева, мінерали й метал, може бути шкідливим (контакт із таким пилом або його вдихання може стати причиною виникнення в оператора або осіб, що перебувають поруч, алергійних реакцій і/або респіраторних захворювань); **надягайте респіратор і працюйте з пиловидальючим пристроєм під час увімкнення інструмента**
- Деякі види пилю класифікуються як канцерогенні (наприклад, дубовий або буковий пиля), особливо в сполученні з добавками для кондиціонування деревини; **надягайте респіратор і працюйте з пиловидальючим пристроєм під час увімкнення інструмента**
- Слідуйте інструкціям по роботі з матеріалами, продуцуючими пил
- **Не обробляйте матеріали, що містять асбест** (асбест вважається канцерогенним)
- Преконайтесь що бігунець викиач В ② в середньому положенні (блокування) перед будь-якими налагодками чи замінами приладдя, тоді коли ви тримаєте або поклали інструмент

#### АНЕСУАРИ

- SKIL гарантує надійну роботу інструмента тільки при використанні відповідного приладдя
- Використовуйте лише приладдя, припустима швидкість обертання якого як мінімум відповідає найвищій швидкості інструмента без навантаження

#### ПЕРЕД ВИКОРИСТАННЯМ

- Не допускайте пошкодження, які можуть нанести шурупи, цвяхи і інші елементи вашому виробу; видаліть їх перед початком роботи
- **Зафіксуйте оброблювану деталь** (оброблювана деталь, зафіксована за допомогою затискних пристроїв або лещат, закріплюється краще, ніж вручну)
- Використовуйте придатні пошукові прилади

для знаходження захованих в будівлі труб та кабелів або зверніться за допомогою в місцево підприємство електро-, газо- та водопостачання (защеплення електропроводки може призводити до пожежі та удару електричним струмом; защеплення газової труби може призводити до вибуху; защеплення водопровідної труби може завдати шкоду матеріальним цінностям або призводити до удару електричним струмом)

#### АКУМУЛЯТОР

- Акумулятор, який постачається в комплекті (якщо є), є частково зарядженим (повністю зарядіть акумулятор в зарядному пристрої перед першим використанням свого електроінструменту, щоб забезпечити повну потужність акумулятора)
- Використовуйте з інструментом тільки такі акумулятори і зарядні пристрої
  - Акумулятор SKIL: BR1\*31\*\*\*\*
  - Зарядний пристрій SKIL: CR1\*31\*\*\*\*
- Не використовуйте пошкоджені акумулятор; негайно від'єднайте його від інструмента
- Не розбирайте акумулятор
- Виключіть можливість потрапляння дощу на інструмент або акумулятор
- Дозволена температура довкілля (інструмент/зарядний пристрій/акумулятор):
  - під час зарядження 4...40°C
  - під час роботи -20...+50°C
  - під час зберігання -20...+50°C

#### ПОЯСНЕННЯ ДО УМОВНИХ ПОЗНАЧЕНЬ НА ІНСТРУМЕНТІ/АКУМУЛЯТОРІ

- ③ Перед використанням прочитайте інструкцію із застосування
- ④ При влученні у вогонь батареї вибухають, тому в жодному разі не спалюйте батареї
- ⑤ Зберігайте інструмент/зарядний пристрій/акумулятор при температурі не більшій 50°C
- ⑥ Не викидайте електроінструмент та батареї разом зі звичайним сміттям

### ВИКОРИСТАННЯ

- Комбінований перемикач для вмикання/вимикання та керування обертами А ⑦
  - глатво керує обертами від нуля до максимальних в залежності від сили натискання на перемикач А ⑧
- Заряджання акумулятора
  - ! **ознайомтеся з попередженнями і вказівками з техніки безпеки, які надаються з зарядним пристроєм**
- Видалення/встановлення батареї ②
- Індикатор рівня заряду батареї ④
  - натисніть кнопку індикатора рівня заряду акумулятора G, щоб дізнатися поточний рівень заряду ④р
  - ! **якщо після натискання кнопки G ④b починає блимати індикатор найнижчого рівня заряду батареї, то батарея розряджена**
  - ! **якщо 2 увесь індикатор рівня заряду батареї після натискання кнопки G ④c починає блимати, батарея не знаходиться в допустимому діапазоні робочих температур**
- Захист акумулятора
  - Інструмент раптово вимикається або не вмикається,

якщо

- навантаження занадто високе -- > приберіть навантаження і перезапустіть
- температура батареї не знаходиться в допустимому діапазоні робочих температур від -20 до +50°C -- > 2 усі індикатори рівня батареї починають блимати при натисканні кнопки G ⑨c; зачекайте, поки батарея не повернеться в допустимий діапазон робочих температур
- батарею майже розряджено (для захисту від глибокого розряду) --> низький рівень заряду батареї або блимання низького рівня заряду батареї ⑨b показано індикатором рівня заряду батареї при натисканні кнопки G; зарядіть батарею
- ! **не продовжуйте роботу та не натискайте вмикач після автоматичного вимкнення інструмента; такими діями можна пошкодити батарею**
- Світлодіодний індикатор ⑩  
Світлодіодний індикатор автоматично загоряється під час активації вмикача  
! **коли світлодіод починає блимати, активується захист акумулятора (див. вище)**
- Установлення і видалення свердел  
- щоб установити свердло, потягніть фіксувальну втулку C вперед, вставте свердло в тримач і відпустіть фіксувальну втулку C, щоб зафіксувати свердло. (⑩a ⑩b ⑩c)  
! **потягніть свердло вперед, щоб перевірити, чи воно зафіксоване (⑩d)**  
- щоб вийняти свердло, потягніть фіксувальну втулку C вперед  
! **використовуйте біти тільки з кульовою нлямною; інші біти можна використовувати тільки з універсальною насадкою з кульовою нлямною**  
! **не використовуйте насадки з пошкодженим стовбуром**
- Зміна напрямку обертання ⑫  
- при неповній установці положення лів/прав пусковий вимикач A ② не працює  
! **мініуйте напрям обертання тільки при повній зупинці інструмента**
- Вибір режиму ⑬  
- натисніть кнопку швидкості E, щоб вибрати потрібний режим затягування або послаблення, коли інструмент установлений на пряме або зворотне обертання:  
**Низькошвидкісний режим (L) ⑬a**  
- для затягування або послаблення несильно та повільно  
- невеликих шурупів  
**Високошвидкісний режим (H) ⑬b**  
- для затягування або послаблення з великою силою і швидкістю  
- великих шурупів та болтів  
**Режим управління (стрілка) ⑬c**  
- починайте повільно, щоб шуруп сів у деревину  
- автоматично збільшуючи швидкість, коли шуруп посаджено  
- для довгих шурупів, особливо шурупів PHILLIPS / POZIDRIV  
! **режим керування доступний тільки при**

- прямому обертанні; при зворотному обертанні він використовується для середньої швидкості
- ! **режими можуть бути змінені тільки після легкого натискання перемикача вмикачання/вимикання (зелений світлодіод(и) активується) та коли інструмент повністю зупинено**
- Утримування і робота інструментом ⑭  
! **під час роботи, завжди тримайте інструмент за частини захвату сірого кольору**  
- тримайте вентиляційні отвори D ② незакритими  
- не тисніть на інструмент; дайте інструменту можливість працювати за вас

## ПОРАДИ ПО ВИКОРИСТАННЮ

- Використовуйте відповідні насадки
- При вгвинчуванні шурупів у поперечний зріз дерева або біля нього або в кромку дерева необхідно спочатку просвердлити отвір, щоб запобігти розколу деревини
- Коли працюєте з особливо твердими породами дерева, необхідно зробити попереднє просвердлювання
- Не затягуйте гвинт занадто сильно. Сила удару шуруповерта може зламати фіксатор. Тримайте інструмент на одній лінії з гвинтом, щоб не пошкодити головку фіксатора.
- Крутний момент залежить від тривалості удару. Максимальний крутний момент досягається після удару тривалістю 6-10 секунд.  
! **завжди перевіряйте момент затягування за допомогою динамометричного ключа**
- Для оптимального використання інструмента потрібен постійний тиск на болт, особливо під час зняття фіксатора.
- Дивіться додаткову інформацію на сайті [www.skil.com](http://www.skil.com)

## ДОГЛЯД/ОБСЛУГОВУВАННЯ

- Завжди тримайте інструмент в чистоті (особливо вентиляційні отвори D ②)  
! **виймайте акумулятор з інструмента перед очищенням**
- Якщо незважаючи на ретельну технологію виготовлення і перевірки інструмент все-таки вийде з ладу, його ремонт дозволяється виконувати лише в авторизованій сервісній майстерні для електроприладів SKIL  
- надішліть **нерозібраний** інструмент разом з доказом купівлі до Вашого дилера або до найближчого центру обслуговування SKIL (адреси, а також діаграма обслуговування пристрою, подаються на сайті [www.skil.com](http://www.skil.com))
- Візьміть до відома, що ушкодження внаслідок перевантаження або неналежного поводження з інструментом не будуть включені в гарантію (умови гарантії SKIL див. на сайті [www.skil.com](http://www.skil.com) або довідайтеся в дилера у Вашому регіоні)

## ОХОРОНА НАВКОЛИШНЬОЇ СЕРЕДИ

- **Не викидайте електроінструмент, батареї, належності та упакунок разом зі звичайним сміттям** (тільки для країн ЄС)  
- відповідно до європейської директиви 2012/19/ЄС



щодо утилізації старих електричних та електронних приладів, в залежності з місцевим законодавством, електроінструмент, який перебував в експлуатації повинен бути утилізований окремо, безпечним для навколишнього середовища шляхом

- малюнок ⑥ нагадає вам про це

**! перед тим, як позбутись акумулятора: заклейте грубою клейкою стрічкою клеми, щоб запобігти короткому замиканню**

## ШУМ / ВІБРАЦІЯ

- За вимірами відповідно до EN 62841 рівень звукового тиску цього інструменту становлює 78 дБ(А) та рівень потужності звуку дорівнює 86 дБ(А) (коефіцієнт недостовірності K = 3 дБ), а вібрація <math><2,5 \text{ m/s}^2</math> (трисекційна векторна сума; коефіцієнт недостовірності K = 1,5  $\text{m/s}^2$ )
  - Рівень вібрації було виміряно у відповідності зі стандартизованим випробуванням, що міститься в EN 62841; дана характеристика може використовуватися для порівняння одного інструмента з іншим, а також для попередньої оцінки впливу вібрації під час застосування даного інструмента для вказаних цілей
    - при використанні інструмента в інших цілях або з іншими/несправними допоміжними пристосуваннями рівень впливу вібрації може значно **підвищуватися**
    - у періоди, коли інструмент вимикнений або функціонує без фактичного виконання роботи, рівень впливу вібрації може значно **знижуватися**
- ! захищайте себе від впливу вібрації, підтримуючи інструмент і його допоміжні пристосування в справному стані, підтримуючи руки в теплі, а також правильно організовуючи свій робочий процес**

GR

## Επαναφορτιζόμενο κρουστικό δραπανοκατσαβίδο τύπου brushless

3211

### ΕΙΣΑΓΩΓΗ

- Αυτό το εργαλείο προορίζεται για το βίδωμα και το ξεβίδωμα βιδών και κοχλιών
  - Βεβαιωθείτε ότι η συσκευασία περιέχει όλα τα εξαρτήματα όπως εικονίζονται στο σχέδιο ②
  - Όταν λείπουν μέρη του ηλεκτρικού εργαλείου ή παρουσιάζουν φθορές, επικοινωνήστε με το κατάστημα από το οποίο το αγοράσατε
- Διαβάστε και αποθηκεύστε αυτό το εγχειρίδιο οδηγιών ③
  - Δώστε ιδιαίτερη προσοχή στις οδηγίες ασφαλείας και στις προειδοποιήσεις - η μη τήρηση αυτών των οδηγιών και προειδοποιήσεων θα μπορούσε να προκαλέσει σοβαρούς τραυματισμούς

### ΤΕΧΝΙΚΑ ΧΑΡΑΚΤΗΡΙΣΤΙΚΑ ①

Μέγιστη ροπή στρέψης σκληρή περίπτωση βιδώματος σύμφωνα με ISO 5393 : 250Nm

### ΜΕΡΗ ΤΟΥ ΕΡΓΑΛΕΙΟΥ ②

- A Διακόπτης εκκίνησης/στάσης και ελέγχου ταχύτητας
- B Διακόπτης αλλαγής της κατεύθυνσης περιστροφής
- C Κέλυφος μανδάλωσης
- D Σχισμές αερισμού
- E Κουμπί ταχύτητας
- F Λυχνία LED
- G Ένδειξη κατάστασης μπαταρίας
- H Μύτη κατσαβιδιού 50 mm

### ΑΣΦΑΛΕΙΑ

#### ΓΕΝΙΚΕΣ ΥΠΟΔΕΙΞΕΙΣ ΑΣΦΑΛΕΙΑΣ ΓΙΑ ΗΛΕΚΤΡΙΚΑ ΕΡΓΑΛΕΙΑ

**⚠ ΠΡΟΕΙΔΟΠΟΙΗΣΗ Διαβάστε όλες τις προειδοποιήσεις ασφαλείας καθώς και τις οδηγίες, εικόνες και προδιαγραφές που παρέχονται με αυτό το ηλεκτρικό εργαλείο.** Αμέλεια τήρησης όλων των οδηγιών που παρατίθενται παρακάτω μπορεί να προκαλέσει ηλεκτροπληξία, τυρκαγιά ή/και σοβαρό τραυματισμό.

**Φυλάξτε όλες τις υποδείξεις ασφαλείας και τις οδηγίες για το μέλλον.**

Ο ορισμός “ηλεκτρικό εργαλείο” που χρησιμοποιείται στις προειδοποιητικές υποδείξεις αναφέρεται σε ηλεκτρικά εργαλεία που τροφοδοτούνται από το ηλεκτρικό δίκτυο (με ηλεκτρικό καλώδιο) καθώς και σε ηλεκτρικά εργαλεία που τροφοδοτούνται από μπαταρία (χωρίς ηλεκτρικό καλώδιο).

#### 1) ΑΣΦΑΛΕΙΑ ΣΤΟ ΧΩΡΟ ΕΡΓΑΣΙΑΣ

- a) Διατηρείτε το χώρο που εργάζεσθε καθαρό και καλά φωτισμένο. Αταξία στο χώρο που εργάζεσθε ή μη φωτισμένες περιοχές εργασίας μπορεί να οδηγήσουν σε ατυχήματα.
- b) Μην εργάζεσθε με το ηλεκτρικό εργαλείο σε περιβάλλον που υπάρχει κίνδυνος έκρηξης, στο οποίο υπάρχουν εύφλεκτα υγρά, αέρια ή σκόνη. Τα ηλεκτρικά εργαλεία μπορεί να δημιουργήσουν σπινθηρισμό ο οποίος μπορεί να αναφλέξει τη σκόνη ή τις αναθυμιάσεις.
- c) Όταν χρησιμοποιείτε το ηλεκτρικό εργαλείο κρατάτε τα παιδιά ή άλλα τυχόν πρόσωπα μακριά από το χώρο που εργάζεσθε. Σε περίπτωση που άλλα άτομα αποσπάσουν την προσοχή σας μπορεί να χάσετε τον έλεγχο του μηχανήματος.

#### 2) ΗΛΕΚΤΡΙΚΗ ΑΣΦΑΛΕΙΑ

- a) Το φως του καλωδίου του ηλεκτρικού εργαλείου πρέπει να ταιριάζει στην αντίστοιχη πρίζα. Δεν επιτρέπεται με κανένα τρόπο η μετασκευή του φως. Μη χρησιμοποιείτε προσαρμοστικά φως σε συνδυασμό με ηλεκτρικά εργαλεία συνδεδεμένα με τη γη (γειωμένα). Αθικτα φως και κατάλληλες πρίζες μειώνουν τον κίνδυνο ηλεκτροπληξίας.
- b) Αποφεύγετε την επαφή του σώματος σας με γειωμένες επιφάνειες όπως σωλήνες, θερμομαντικά σώματα (καλοριφέρ), κουζίνες και ψυγεία. Όταν το σώμα σας είναι γειωμένο αυξάνεται ο κίνδυνος

- ηλεκτροπληξίας.
- c) **Μην εκθέτετε το ηλεκτρικό εργαλείο στη βροχή ή την υγρασία.** Η διείσδυση νερού στο ηλεκτρικό εργαλείο αυξάνει τον κίνδυνο ηλεκτροπληξίας.
  - d) **Μη χρησιμοποιείτε το καλώδιο για να μεταφέρετε ή ν' αναρτήσετε το ηλεκτρικό εργαλείο ή για να βγάλετε το φις από την πρίζα. Κρατάτε το καλώδιο μακριά από υψηλές θερμοκρασίες, λάδια, κοφτερές ακμές ή κινούμενα εξαρτήματα.** Τυχόν χαλασμένα ή μπερδεμένα καλώδια αυξάνουν τον κίνδυνο ηλεκτροπληξίας.
  - e) **Όταν εργάζεσθε με το ηλεκτρικό εργαλείο στο ύπαιθρο χρησιμοποιείτε πάντοτε καλώδια επιμήκυνσης (μπαλαντάζες) που έχουν εγκριθεί για χρήση σε εξωτερικούς χώρους.** Η χρήση καλωδίων επιμήκυνσης εγκριμένων για εργασία σε εξωτερικούς χώρους μειώνει τον κίνδυνο ηλεκτροπληξίας.
  - f) **Όταν η χρήση του ηλεκτρικού εργαλείου σε υγρό περιβάλλον είναι αναπόφευκτη, τότε χρησιμοποιήστε έναν προστατευτικό διακόπτη διαρροής ελαττώνει τον κίνδυνο ηλεκτροπληξίας.**
- 3) ΑΣΦΑΛΕΙΑ ΠΡΟΣΩΠΩΝ**
- a) **Να είσθε πάντοτε προσεκτικός/προσεκτική, να δίνετε προσοχή στην εργασία που κάνετε και να χειρίζεστε το ηλεκτρικό εργαλείο με περίσκεψη. Μην κάνετε χρήση του ηλεκτρικού εργαλείου όταν είσθε κουρασμένος/κουρασμένη ή όταν βρίσκεσθε υπό την επιρροή ναρκωτικών, οινοπνεύματος ή φαρμάκων.** Μια στιγμήα απροσεξία κατά το χειρισμό του ηλεκτρικού εργαλείου μπορεί να οδηγήσει σε σοβαρούς τραυματισμούς.
  - b) **Φοράτε προστατευτικά ενδύματα και πάντοτε προστατευτικά γυαλιά.** Όταν φοράτε ενδύματα ασφαλείας, ανάλογα με το υπό χρήση ηλεκτρικό εργαλείο, όπως προσωπίδα προστασίας από σκόνη, αντιολισθητικά παπούτσια ασφαλείας, κράνη ή ωτασπίδες, μειώνεται ο κίνδυνος τραυματισμών.
  - c) **Αποφεύγετε την αθέλητη εκκίνηση. Βεβαιωθείτε ότι το ηλεκτρικό εργαλείο έχει αποζευχτεί πριν το συνδέσετε με το ηλεκτρικό δίκτυο ή/και με την μπαταρία καθώς και πριν το παραλάβετε ή το μεταφέρετε.** Όταν μεταφέρετε το ηλεκτρικό εργαλείο έχοντας το δάχτυλό σας στο διακόπτη ή όταν συνδέσετε το μηχάνημα με την πηγή ρεύματος όταν αυτό είναι ακόμη συζευγμένο, τότε δημιουργείται κίνδυνος τραυματισμών.
  - d) **Αφαιρείτε από τα ηλεκτρικά εργαλεία πριν τα θέσετε σε λειτουργία τυχόν συναρμολογημένα χρησιμοποιήσιμα εργαλεία ή κλειδιά.** Ένα εργαλείο ή κλειδί συναρμολογημένο στο περιστρεφόμενο εξάρτημα ενός ηλεκτρικού εργαλείου μπορεί να οδηγήσει σε τραυματισμούς.
  - e) **Μην υπερκτιμάτε τον εαυτό σας. Φροντίζετε για την ασφαλή στήριξη του σώματος σας και διατηρείτε πάντοτε την ισορροπία σας.** Αυτό σας επιτρέπει τον καλύτερο έλεγχο το ηλεκτρικού εργαλείου σε περιπτώσεις απροσδόκητων καταστάσεων.
  - f) **Φοράτε κατάλληλη ενδυμασία εργασίας. Μη φοράτε φαρδιά ρούχα ή κοσμήματα. Κρατάτε τα μαλλιά και τα ρούχα σας μακριά από κινούμενα**

- εξαρτήματα.** Χαλαρή ενδυμασία, κοσμήματα και μακριά μαλλιά μπορεί να εμπλακούν στα κινούμενα εξαρτήματα.
- g) **Αν υπάρχει η δυνατότητα συναρμολόγησης διατάξεων αναρρόφησης ή συλλογής σκόνης, βεβαιωθείτε αν οι διατάξεις αυτές είναι συνδεδεμένες καθώς κι αν χρησιμοποιούνται σωστά.** Η χρήση μιας αναρρόφησης σκόνης μπορεί να ελαττώσει τον κίνδυνο που προκαλείται από τη σκόνη.
  - h) **Μην εφησυχάζετε σε μια λάθος ασφάλεια και μην αψηφάτε τους κανόνες ασφαλείας για τα ηλεκτρικά εργαλεία, ακόμα και όταν μετά από συχνή χρήση είστε εξοικειωμένοι με το εργαλείο.** Ένας απρόσεκτος χειρισμός μπορεί μέσα σε κλάσματα του δευτερολέπτου να οδηγήσει σε σοβαρούς τραυματισμούς.
- 4) ΧΡΗΣΗ ΚΙ ΕΠΙΜΕΛΗΣ ΧΕΙΡΙΣΜΟΣ ΤΩΝ ΗΛΕΚΤΡΙΚΩΝ ΕΡΓΑΛΕΙΩΝ**
- a) **Μην υπερφορτώνετε το ηλεκτρικό εργαλείο. Χρησιμοποιείτε για την εκάστοτε εργασία σας το ηλεκτρικό εργαλείο που προορίζεται γι' αυτήν.** Με το κατάλληλο ηλεκτρικό εργαλείο εργάζεσθε καλύτερα και ασφαλέστερα στην αναφερόμενη περιοχή ισχύος.
  - b) **Μη χρησιμοποιήσετε ποτέ ένα ηλεκτρικό εργαλείο του οποίου ο διακόπτης ON/OFF είναι χαλασμένος.** Ένα ηλεκτρικό εργαλείο το οποίο δεν μπορεί να τεθεί πλέον σε ή εκτός λειτουργίας είναι επικίνδυνο και πρέπει να επισκευαστεί.
  - c) **Τραβήξτε το φις από την πρίζα και/ή απομακρύνετε μια αποσπώμενη μπαταρία, προτού εκτελέσετε ρυθμίσεις στο ηλεκτρικό εργαλείο, προτού αλλάξετε εξαρτήματα ή φυλάξετε το ηλεκτρικό εργαλείο.** Αυτά τα προληπτικά μέτρα ασφαλείας μειώνουν τον κίνδυνο από τυχόν αθέλητη εκκίνηση του ηλεκτρικού εργαλείου.
  - d) **Διαφυλάγετε τα ηλεκτρικά εργαλεία που δε χρησιμοποιείτε μακριά από παιδιά. Μην αφήνετε άτομα που δεν είναι εξοικειωμένα με το ηλεκτρικό εργαλείο ή δεν έχουν διαβάσει αυτές τις οδηγίες χρήσης να το χρησιμοποιήσουν.** Τα ηλεκτρικά εργαλεία είναι επικίνδυνα όταν χρησιμοποιούνται από άπειρα πρόσωπα.
  - e) **Φροντίζετε τα ηλεκτρικά εργαλεία και τα εξάρτημα με επιμέλεια. Ελέγχετε, αν τα κινούμενα εξαρτήματα λειτουργούν άψοφα, χωρίς να μπλοκάρουν, ή μήπως έχουν σπάσει ή φθαρεί τυχόν εξαρτήματα τα οποία επηρεάζουν τον τρόπο λειτουργίας του ηλεκτρικού εργαλείου. Δώστε αυτά τα χαλασμένα εξαρτήματα για επισκευή πριν τα ξαναχρησιμοποιήσετε.** Η κακή συντήρηση των ηλεκτρικών εργαλείων αποτελεί αιτία πολλών ατυχημάτων.
  - f) **Διατηρείτε τα κοπτικά εργαλεία κοφτερά και καθαρά.** Τα κοπτικά εργαλεία που συντηρούνται με προσοχή μπορούν να οδηγηθούν εύκολα και να ελεγχθούν καλύτερα.
  - g) **Χρησιμοποιείτε τα ηλεκτρικά εργαλεία, τα εξαρτήματα, τα χρησιμοποιήσιμα εργαλεία κτλ. σύμφωνα με τις παρούσες οδηγίες καθώς. Λαμβάνετε ταυτόχρονα υπόψη σας τις συνθήκες εργασίας και την υπό εκτέλεση εργασία.** Η χρήση του ηλεκτρικού εργαλείου για άλλες εκτός από τις προβλεπόμενες εργασίες μπορεί να δημιουργήσει

επικίνδυνες καταστάσεις.

- h) **Διατηρείτε τις λαβές και επιφάνειες λαβής στεγνές, καθαρές και ελεύθερες από λάδι και γράσο.** Οι ολισθηρές λαβές και επιφάνειες λαβής δεν επιτρέπουν κανέναν ασφαλής χειρισμό και έλεγχο του ηλεκτρικού εργαλείου σε τυχόν απρόβλεπτες καταστάσεις.
- 5) **ΧΡΗΣΗ ΚΙ ΕΠΙΜΕΛΗΣ ΧΕΙΡΙΣΜΟΣ ΕΡΓΑΛΕΙΩΝ ΜΠΑΤΑΡΙΑΣ**
- a) **Φορτίζετε μόνο με φορτιστής που προβλπει ο κατασκευαστής.** Η φόρτιση με φορτιστής που δεν προορίζονται για τον υπό φόρτιση τύπο του μπλοκ μπαταρίας δημιουργεί κίνδυνο πυρκαγιάς.
- b) **Χρησιμοποιείτε τα ηλεκτρικά εργαλεία πάντοτε με τα προβλεπόμενα για αυτά μπλοκ μπαταρίας.** Η χρήση διαφορετικών μπλοκ μπαταρίας μπορεί να οδηγήσει σε τραυματισμούς ή πυρκαγιά.
- c) **Διαφυλάγετε τις μπαταρίες που δε χρησιμοποιείτε μακριά από μεταλλικά αντικείμενα, π.χ. από συνδετήρες χαρτιών, νομίσματα, κλειδιά, καρφιά, βίδες κι άλλα παρόμοια μικροαντικείμενα, τα οποία θα μπορούσαν να επιγεφυρώσουν τις διάφορες μεμονωμένες επαφές.** Μια επιγεφύρωση από μεταλλικά αντικείμενα μπορεί να προκαλέσει βραχυκύκλωμα, σπινθηρισμό ή πυρκαγιά.
- d) **Υπό δυσμενείς συνθήκες λειτουργίας μπορεί να διαρρεύσουν υγρά από την μπαταρία. Αποφεύγετε κάθε επαφή με μια μη στεγανή μπαταρία. Σε περίπτωση ακούσιας επαφής με τα υγρά, ξεπλύντε αμψως με νερό την αντίστοιχη θψη επαφής. Εκτός από αυτό, αν τα υγρά διεισδύσουν στα μάτια σας, επισκεφτείτε χωρίς καθυστέρηση πνα γιατρό.** Τα διαρρποντα υγρά των μπαταριών μπορεί να προκαλλποουν ερεθισμούς ή και εγκαύματα.
- e) **Μη χρησιμοποιείτε καμία χαλασμένη ή τροποποιημένη μπαταρία ή ηλεκτρικό εργαλείο.** Οι χαλασμένες ή τροποποιημένες μπαταρίες μπορεί να παρουσιάσουν μια απρόβλεπτη συμπεριφορά και να οδηγήσουν σε φωτιά, έκρηξη ή σε κίνδυνο τραυματισμού.
- f) **Μην εκθέτετε μια μπαταρία ή ένα ηλεκτρικό εργαλείο σε φωτιά ή σε πολύ υψηλές θερμοκρασίες.** Η φωτιά ή οι θερμοκρασίες πάνω από 130°C μπορεί να προκαλέσουν μια έκρηξη.
- g) **Τηρείτε όλες τις υποδείξεις για τη φόρτιση και μη φορτίζετε την μπαταρία ή το εργαλείο μπαταρίας ποτέ εκτός της περιοχής θερμοκρασίας που αναφέρεται στις οδηγίες λειτουργίας.** Η λάθος φόρτιση ή η φόρτιση εκτός της επιτρεπτής περιοχής θερμοκρασίας μπορεί να καταστρέψει την μπαταρία και να αυξήσει τον κίνδυνο πυρκαγιάς.
- 6) **ΣΕΡΒΙΣ**
- a) **Δίνετε το ηλεκτρικό σας εργαλείο για επισκευή από άριστα ειδικευμένο προσωπικό, μόνο με γνήσια ανταλλακτικά.** Ετσι εξασφαλίζεται η διατήρηση της ασφάλειας του ηλεκτρικού εργαλείου.
- b) **Μη συντηρείτε ποτέ χαλασμένες μπαταρίες.** Κάθε συντήρηση των μπαταριών πρέπει να πραγματοποιείται μόνο από τον κατασκευαστή ή από εξουσιοδοτημένα συνεργεία σέρβις πελατών.

#### ΟΔΗΓΙΕΣ ΑΣΦΑΛΕΙΑΣ ΓΙΑ ΠΑΛΜΙΚΟ ΚΑΤΣΑΒΙΔΙ ΜΠΑΤΑΡΙΑΣ

- **Κρατήστε το ηλεκτρικό εργαλείο από τις μονωμένες επιφάνειες συγκράτησης, κατά την εκτέλεση εργασιών όπου το εξάρτημα στερέωσης μπορεί να έρθει σε επαφή με κρουμμένα καλώδια** (το κόψιμο ενός ηλεκτροφόρου καλωδίου ενδέχεται να κάνει ηλεκτροφόρα τα προσβάσιμα μεταλλικά μέρη και να προκληθεί ηλεκτροπληξία στον χειριστή)

#### ΓΕΝΙΚΑ

- Η σκόνη από υλικά όπως μογιές που περιέχουν μόλυβδο, ορισμένα είδη ξύλου, ανόργανα στοιχεία και μέταλλα μπορεί να είναι επιβλαβής (η επαφή ή η εισπνοή της σκόνης μπορεί να προκαλέσει αλλεργικές αντιδράσεις ή/και αναπνευστικές ασθένειες στον χειριστή ή σε άτομα που παρίστανται) - **να φοράτε προσωπίδα προστασίας από τη σκόνη και να εργάζεστε με συσκευή αφαίρεσης σκόνης όταν είναι δυνατό**
- Ορισμένα είδη σκόνης ταξινομούνται ως καρκινογόνα (όπως η σκόνη από τη δρυ ή την οξιά) ιδιαίτερα σε συνδυασμό με πρόσθετα συντήρησης ξύλου - **να φοράτε προσωπίδα προστασίας από τη σκόνη και να εργάζεστε με συσκευή αφαίρεσης σκόνης όταν είναι δυνατό**
- Ακολουθήστε τις σχετικές με σκόνη εθνικές διατάξεις για τα υλικά που θέλετε να εργαστείτε
- **Μην κατεργάζεστε υλικά που περιέχουν αμιάντο** (το αμιάντο θεωρείται σαν καρκινογόνο υλικό)
- Βεβαιωθείτε ότι ο διακόπτης Β ② βρίσκεται στη μεσαία θέση (κλειδίωμα), πριν διεξαγάτε κάποια εργασία ρύθμισης στο εργαλείο ή αλλάξετε εξάρτημα όπως και όταν μεταφέρετε ή αποθηκεύσετε το εργαλείο

#### ΕΞΑΡΤΗΜΑΤΑ

- Η SKIL εγγυάται την τέλεια λειτουργία του εργαλείου μόνο όταν χρησιμοποιούνται αυθεντικά εξαρτήματα
- Χρησιμοποιείτε μόνο εξαρτήματα των οποίων ο ύψιστος επιτρεπτός αριθμός στροφών είναι τουλάχιστον τόσο υψηλός, όσο ο ύψιστος αριθμός στροφών χωρίς φορτίο του εργαλείου

#### ΠΡΙΝ ΑΠΟ ΤΗ ΧΡΗΣΗ

- Προφυλάξτε το εργαλείο από τυχόν φθορές από ξένα σώματα (βίδες, καρφιά ή άλλα) που ίσως είναι μέσα στο κομμάτι που θα δουλέψετε - αφαιρέστε τα πριν αρχίσετε την εργασία
- **Στερεώστε το κομμάτι εργασίας** (το κομμάτι εργασίας συγκρατείται καλύτερα με σφιγκτήρες ή σε μέγνη παρά με το χέρι)
- **Χρησιμοποιήστε κατάλληλες ανιχνευτικές συσκευές για να εντοπίσετε τυχόν αφανείς τροφοδοτικές γραμμές ή συμβουλευτείτε σχετικά τις επιχειρήσεις παροχής ενέργειας** (επαφή με ηλεκτρικές γραμμές μπορεί να οδηγήσει σε πυρκαϊά ή σε ηλεκτροπληξία - βλάβες σε αγωγούς φωταερίου (γκαζιού) μπορεί να οδηγήσουν σε έκρηξη - η διείσδυση σ' ένα σωλήνα νερού προκαλεί υλικές ζημιές ή μπορεί να προκαλέσει ηλεκτροπληξία)

#### ΜΠΑΤΑΡΙΑΣ

- **Η παρεχόμενη συστοιχία μπαταριών είναι μερικώς φορτισμένη** (για να εξασφαλιστεί ότι η μπαταρία αποκτά τη μέγιστη χαμηλότερη, να φορτίζετε τελείως τη μπαταρία με τον φορτιστή της πριν από τη χρήση του ηλεκτρικού εργαλείου σας για πρώτη φορά)
- **Να χρησιμοποιείτε μόνο τις μπαταρίες και τους φορτιστές που παραδίδονται με το εργαλείο**
  - Μπαταρία SKIL: BR1\*31\*\*\*\*
  - Φορτιστής SKIL: CR1\*31\*\*\*\*

- Μην χρησιμοποιείτε την μπαταρία όταν έχει βλάβη - πρέπει να τη αλλάξετε αμέσως
- Μην συναρμολογείτε τη μπαταρία
- Μην εκθέτετε το εργαλείο/την μπαταρία στη βροχή
- Επιτρεπτή θερμοκρασία περιβάλλοντος (εργαλείο/φορτιστή/μπαταρία):
  - κατά τη φόρτιση 4...40°C
  - κατά τη λειτουργία -20...+50°C
  - κατά την αποθήκευση -20...+50°C

#### ΕΠΕΞΗΓΗΣΗ ΤΩΝ ΣΥΜΒΟΛΩΝ ΣΤΟ ΕΡΓΑΛΕΙΟ/ΜΠΑΤΑΡΙΑ

- ③ Διαβάστε το εγχειρίδιο οδηγιών πριν από τη χρήση
- ④ Οι μπαταρίες θα εκραγούν εάν γίνει απόρριψή τους σε φωτιά, γι' αυτό μην καίτε τις μπαταρίες για οποιοδήποτε λόγο
- ⑤ Να αποθηκεύετε το εργαλείο/τον φορτιστή/την μπαταρία σε μέρη όπου η θερμοκρασία δεν θα ξεπεράσει τους 50°C
- ⑥ Μην πετάτε τα ηλεκτρικά εργαλεία και μπαταρίες στον κάδο οικιακών απορριμμάτων

#### ΧΡΗΣΗ

- Συνδισσόμενος διακόπτης για ξεκίνηση/ σταμάτημα και έλεγχο ταχύτητας A ⑦
  - ρυθμίστε την ταχύτητα από τον μηδέν στο μέγιστο, πιέζοντας περισσότερο ή λιγότερο τη σκανδάλη A ⑧
- Φόρτιση της μπαταρίας
  - ! **διαβάστε τις προειδοποιήσεις ασφαλείας και τις οδηγίες που παρέχονται με το φορτιστή**
- Αφαίρεση/εγκατάσταση της μπαταρίας ②
- Ένδειξη κατάστασης μπαταρίας ④
  - πιέστε το κουμπί του ενδεικτικού κατάστασης μπαταρίας G για να εμφανίσετε την τρέχουσα κατάσταση της μπαταρίας ⑨x
  - ! **όταν το ενδεικτικό κατάστασης στάθμης της μπαταρίας αρχίσει να αναβοσβήνει μετά από το πάτημα του πλήκτρου G ⑨b, η μπαταρία έχει αδειάσει**
  - ! **όταν τα επίπεδα 2 του ενδεικτικού της μπαταρίας αρχίσουν να αναβοσβήνουν μετά από το πάτημα του πλήκτρου G ⑨c, η μπαταρία δεν είναι εντός του επιτρεπόμενου εύρους θερμοκρασιών λειτουργίας**
  - ! Προστασία της μπαταρίας  
Το εργαλείο σβήνει αιφνίδια ή δεν είναι δυνατό το άναμμα του όταν
    - **το φορτίο είναι πολύ υψηλό** --> αφαιρέστε το φορτίο και επανεκκινήστε
    - **η θερμοκρασία της μπαταρίας δεν βρίσκεται εντός του επιτρεπόμενου εύρους θερμοκρασίας λειτουργίας, δηλαδή -20 έως +50°C** --> Τα επίπεδα 2 του ενδεικτικού της στάθμης της μπαταρίας αρχίζουν να αναβοσβήνουν κατά το πάτημα του πλήκτρου G ⑨c. Περιμένετε μέχρι η μπαταρία να επανέλθει εντός του επιτρεπόμενου εύρους θερμοκρασίας λειτουργίας
    - **η μπαταρία έχει σχεδόν αδειάσει (για προστασία έναντι βαθείας εκφόρτισης)** --> ανάβει ή αναβοσβήνει η χαμηλή στάθμη μπαταρίας ⑨b δίπλα στο ενδεικτικό στάθμης μπαταρίας κατά το πάτημα του πλήκτρου G. Φορτίστε τη μπαταρία
  - ! **μην συνεχίσετε να πατάτε το διακόπτη ενεργοποίησης/απενεργοποίησης μετά την**

#### αυτόματη απενεργοποίηση του εργαλείου - μπορεί να προκληθεί βλάβη στη μπαταρία

- Λυχνία LED ⑩  
Η λυχνία LED ανάβει αυτόματα κατά την ενεργοποίηση του διακόπτη ενεργοποίησης/απενεργοποίησης  
! **όταν η λυχνία LED αρχίζει να αναβοσβήνει, ενεργοποιείται η προστασία μπαταρίας (βλ. ανωτέρω)**
- Εγκατάσταση και αφαίρεση μυτών
  - για την τοποθέτηση μιας μύτης τραβήξτε προς τα εμπρός το χιτώνιο ασφάλισης C, εισαγάγετε τη μύτη μέσα στην υποδοχή μυτών και αποδεσμεύστε το χιτώνιο ασφάλισης C για να ασφαλίσετε τη μύτη. (⑩a ⑩b ⑩c)
  - ! **τραβήξτε τη μύτη προς τα εμπρός για να ελέγξετε εάν είναι ασφαλισμένη (⑩d)**
  - για να αφαιρέσετε μια μύτη, τραβήξτε το χιτώνιο ασφάλισης C προς τα εμπρός
  - ! **να χρησιμοποιείτε μόνο μύτες με κλειστόρο με σφαιρίδιο. Άλλες μύτες μπορούν να χρησιμοποιηθούν με υποδοχή μύτης γενικής χρήσης με κλειστόρο με σφαιρίδιο**
  - ! **μην χρησιμοποιείτε μύτες με φθαρμένο στέλεχος**
- Αλλαγή της κατεύθυνσης περιστροφής ⑫
  - αν η διακόπτης A ② δεν είναι σωστά τοποθετημένη στη μία ή άλλη θέση δεν μπορεί να ενεργοποιηθεί
  - ! **αλλάξτε την κατεύθυνση περιστροφής μόνο όταν το εργαλείο είναι τελείως σταματημένο**
- Επιλογή λειτουργίας ⑬
  - πατήστε το κουμπί ταχύτητας E για να επιλέξετε την επιθυμητή λειτουργία σύσφιξης ή χαλάρωσης όταν το εργαλείο είναι ρυθμισμένο για περιστροφή προς τα εμπρός ή προς τα πίσω:
  - Λειτουργία χαμηλής ταχύτητας (L) ⑬a**
    - σύσφιξη ή λασκάρισμα με λιγότερη δύναμη και χαμηλή ταχύτητα
    - για μικρότερες βίδες
  - Λειτουργία υψηλής ταχύτητας (H) ⑬b**
    - σύσφιξη ή λασκάρισμα με υψηλή δύναμη και ταχύτητα
    - για μεγάλες βίδες
  - Λειτουργία ελέγχου (βέλος) ⑬c**
    - ξεκινήστε αργά για να βοηθήσετε τη βίδα να ανοίξει βόλτα μέσα στο ξύλο
    - η ταχύτητα αυξάνεται αυτόματα όταν η βίδα έχει «πίασει» βόλτα
    - για μακριές βίδες, ιδιαίτερα βίδες PHILLIPS/POZIDRIV
  - ! **η λειτουργία ελέγχου είναι διαθέσιμη μόνο στην κανονική (δεξιά) περιστροφή. Στην αντίστροφη περιστροφή χρησιμοποιείται για τη μεσαία ταχύτητα**
  - ! **οι λειτουργίες μπορούν να αλλάξουν μόνο μετά από ελαφρά πίεση του διακόπτη on/off (ανάβουν τα πράσινα LED) και όταν το εργαλείο είναι τελείως σταματημένο**
- Πώς να κρατάτε και να οδηγείτε το εργαλείο ⑭
  - ! **ενώ εργάζεστε, να κρατάτε πάντα το εργαλείο από τη/τις λαβή/ές με γκρι χρώμα**
  - κρατάτε τις σχισμές αερισμού D ② ακάλυπτες
  - μην ασκείτε υπέρμετρη πίεση στο εργαλείο - αφήστε το εργαλείο να δουλέψει για σας

## ΟΔΗΓΙΕΣ ΕΦΑΡΜΟΓΗΣ

- Χρησιμοποιείτε τη κατάλληλη μήτη
- Όταν έχετε να βιδώσετε μία βίδα στη γωνία ή σε άκρα ξύλου θα πρέπει πρώτα να τρυπήσετε με τρυπάνι για να αποφύγετε το "σκάσιμο" του ξύλου
- Όταν βιδώνετε σε σκληρό ξύλο πρέπει πρώτα να έχετε κάνει μία αρχική διάτρηση οπής
- Όταν σφίγγετε μια βίδα, η σύσφιξη δεν πρέπει να είναι υπερβολική. Η ισχύς του βιδώματος με κρούση μπορεί σπάσει τον σφιγκτήρα. Κρατάτε το εργαλείο ευθυγραμμισμένο με τη βίδα ώστε να εμποδίσετε ζημιά στην κεφαλή του σφιγκτήρα.
- Η ροπή εξαρτάται από τη διάρκεια της κρούσης. Η μέγιστη ροπή επιτυγχάνεται μετά από μια διάρκεια κρούσης 6-10 δευτερολέπτων.  
**! ελέγχετε πάντα την ροπή σύσφιξης με ένα δυναμοκατάβιδο**
- Για τη βέλτιστη χρήση του ηλεκτρικού εργαλείου απαιτείται σταθερή πίεση στο μπουλόνι, ειδικά κατά την αφαίρεση σφιγκτήρα.
- Για περισσότερες πληροφορίες επισκεφθείτε τη σελίδα [www.skil.com](http://www.skil.com)

## ΣΥΝΤΗΡΗΣΗ / ΣΕΡΒΙΣ

- Πάντα να διατηρείτε το εργαλείο καθαρό (ειδικά τις οπές εξαερισμού D ②)  
**! αφαιρέστε την μπαταρία από το εργαλείο πριν από τον καθαρισμό**
- Αν παρ' όλες τις επιμελημένες μεθόδους κατασκευής κι ελέγχου το εργαλείο σταματήσει κάποτε να λειτουργεί, τότε η επισκευή του πρέπει να ανατεθεί σ' ένα εξουσιοδοτημένο συνεργείο για ηλεκτρικά εργαλεία της SKIL  
- στείλτε το εργαλείο **χωρίς να το αποσυρμολογήσετε** μαζί με την απόδειξη αγοράς στο κατάστημα από το οποίο το αγοράσατε ή στον πλησιέστερο σταθμό τεχνικής εξυπηρέτησης της SKIL (θα βρείτε τις διευθύνσεις και το διάγραμμα συντήρησης του εργαλείου στην ιστοσελίδα [www.skil.com](http://www.skil.com))
- Να γνωρίζετε ότι βλάβες που προκαλούνται λόγω υπερφόρτωσης ή ακατάλληλου χειρισμού του εργαλείου, δεν καλύπτονται από την εγγύηση (για τους όρους της εγγύησης της SKIL επισκεφθείτε τη διεύθυνση [www.skil.com](http://www.skil.com) ή απευθυνθείτε στον πλησιέστερο αντιπρόσωπο)

## ΠΕΡΙΒΑΛΛΟΝ

- Μην πετάτε τα ηλεκτρικά εργαλεία, μπαταρίες, εξαρτήματα και συσκευασία στον κάδο οικιακών απορριμμάτων** (μόνο για τις χώρες της ΕΕ)
  - σύμφωνα με την ευρωπαϊκή οδηγία 2012/19/EK περί ηλεκτρικών και ηλεκτρονικών συσκευών και την ενσωμάτωσή της στο εθνικό δίκαιο, τα ηλεκτρικά εργαλεία πρέπει να συλλέγονται ξεχωριστά και να επιστρέφονται για ανακύκλωση με τρόπο φιλικό προς το περιβάλλον
  - το σύμβολο ⑥ θα σας το θυμήσει αυτό όταν έλθει η ώρα να πετάξετε τις**! προτού πετάξετε τις μπαταρίες καλύψτε τις επαφές τους με μονωτική ταινία για να αποφύγετε τυχόν βραχυκυκλώματα**

## ΘΟΥΒΟΣ / ΚΡΑΔΑΣΜΟΣ

- Βάσει της μέτρησης σύμφωνα με το πρότυπο EN 62841, η στάθμη ηχοπίεσης αυτού του εργαλείου είναι 78 dB(A) και η στάθμη ηχοπίεσης του 86 dB(A) (αβεβαιότητα K = 3 dB), και ο κραδασμός <math>2,5 \text{ m/s}^2</math> (τριαξονικό διανυσματικό άθροισμα, αβεβαιότητα K = 1,5 m/s<sup>2</sup>)
- Το επίπεδο παραγωγής κραδασμών έχει μετρηθεί σύμφωνα με μια τυποποιημένη δοκιμή που αναφέρεται στο πρότυπο EN 62841 - μπορεί να χρησιμοποιηθεί για τη σύγκριση ενός εργαλείου με ένα άλλο, καθώς και ως προκαταρκτική αξιολόγηση της έκθεσης στους κραδασμούς όταν το εργαλείο χρησιμοποιείται για τις εφαρμογές που αναφέρονται
  - η χρήση του εργαλείου για διαφορετικές εφαρμογές ή με διαφορετικά ή κακοσυντηρημένα εξαρτήματα μπορεί να **αυξήσει** σημαντικά το επίπεδο έκθεσης
  - όταν το εργαλείο είναι απενεργοποιημένο ή δουλεύει αλλά δεν εκτελεί την εργασία, το επίπεδο έκθεσης μπορεί να **μειωθεί** σημαντικά**! προστατευτείτε από τις επιδράσεις των κραδασμών συντηρώντας σωστά το εργαλείο και τα εξαρτήματά του, διατηρώντας τα χέρια σας ζεστά και οργανώνοντας τον τρόπο εργασίας σας**

RO

## Șurubelniță cu impact fără perii și cu acumulator

3211

## INTRODUCERE

- Acest instrument este destinat înșurubării și deșurubării șuruburilor și bolțurilor
  - Verificați dacă ambalajul conține toate piesele, așa cum este ilustrat în desen ②
  - În cazul în care lipsesc piese sau acestea sunt deteriorate, contactați distribuitorul
- Citiți și păstrați acest manual de instrucțiuni ③
  - Acordați o atenție specială instrucțiunilor de securitate și avertizare; neglijarea acestora poate duce la vătămări grave**

## DATE TEHNICE ①

Moment de torsiune maxim, înșurubare dură conform ISO 5393 : 250Nm

## ELEMENTELE SCULEI ②

- A** Întrerupător deschis/închis și controlul vitezei
- B** Comutator pentru schimbarea direcției de rotație
- C** Manșon de blocare
- D** Fantele de ventilație
- E** Butonul de viteză
- F** Lumină LED
- G** Indicator nivel încărcare acumulator
- H** Bituri de 50 mm

## SIGURANȚĂ

### INSTRUCȚIUNI GENERALE DE SIGURANȚĂ PENTRU

## SCULE ELECTRICE

**AVERTISMENT** Citiți toate avertismentele, instrucțiunile, ilustrațiile și specificațiile furnizate împreună cu această sculă electrică. Neconformarea la instrucțiunile de mai jos poate produce șoc electric, incendiu și/sau răniri grave.

**Păstrați toate avertizările și instrucțiunile în vederea consultării ulterioare.**

Termenul de “sculă electrică” folosit în indicațiile de avertizare se referă la sculele electrice alimentate de la rețea (cu cablu de alimentare) și la sculele electrice cu acumulator (fără cablu de alimentare).

### 1) SIGURANȚA LA LOCUL DE MUNCĂ

- Păstrați-vă locul de muncă curat și bine iluminat.** Dezordinea la locul de muncă sau existența unor sectoare de lucru neiluminate poate duce la accidente.
- Nu folosiți mașina în medii cu pericol de explozie, acolo unde există lichide, gaze sau pulberi inflamabile.** Sculele electrice pot produce scântei care să aprindă pulberile sau vaporii.
- Nu permiteți accesul copiilor și al altor persoane în timpul lucrului cu mașina.** Dacă vi se distrage atenția puteți pierde controlul asupra mașinii.

### 2) SECURITATE ELECTRICĂ

- Ștecherul de racordare a mașinii trebuie să se potrivească cu priza de alimentare. Nu este permisă în nici-un caz modificarea ștecherului. Nu folosiți adaptoare pentru ștechere la mașinile legate la pământ.** Ștecherele nemodificate și prizele de curent adecvate acestora reduc riscul de electrocutare.
- Evitați contactul corporal cu suprafețe legate la pământ ca țevi, radiatoare, plite electrice și frigider.** Există un risc crescut de electrocutare atunci când corpul dv. este și el legat la pământ.
- Nu lăsați mașina afară în ploaie sau în mediu umed.** Riscul de electrocutare crește atunci când într-o sculă electrică pătrunde apă.
- Nu trageți niciodată mașina de cordonul de alimentare pentru a o transporta, a o atârna sau a scoate ștecherul din priza de curent. Feriți cordonul de alimentare de căldură, ulei, muchi și ascuțite sau de subansamble aflate în mișcare.** Un cordon de alimentare deteriorat sau înfășurat mărește riscul de electrocutare.
- Atunci când lucrați cu scula electrică în aer liber, folosiți numai cordonul prelungitor autorizat pentru exterior.** Întrebuințarea unui cordon prelungitor adecvat utilizării în aer liber reduce riscul de electrocutare.
- Atunci când nu poate fi evitată utilizarea sculei electrice în mediu umed, folosiți un întrerupător de circuit cu împământare.** Folosirea unui întrerupător de circuit cu împământare reduce riscul de electrocutare.

### 3) SECURITATEA PERSOANELOR

- Fiiți vigilenți, fiiți atenți la ceea ce faceți și procedați rațional atunci când lucrați cu scula electrică. Nu folosiți mașina dacă sunteți oboșiți sau vă aflați sub influența drogurilor, alcoolului sau a medicamentelor.** Un moment de neatenție în timpul

lucrului cu mașina poate duce la răniri grave.

- Purtați echipament de protecție personală și întotdeauna ochelari de protecție.** Folosirea echipamentelor de protecție a persoanei ca mască de protecție împotriva prafului, încălțăminte antiderapantă, cască de protecție sau aparat de protecție auditivă, în funcție de tipul și domeniul de folosire al sculei electrice, reduce riscul rănirilor.
  - Evitați o punere în funcțiune involuntară. Înainte de a introduce ștecherul în priză și/sau de a introduce acumulatorul în scula electrică, de a o ridica sau de a o transporta, asigurați-vă că aceasta este oprită.** Dacă atunci când transportați scula electrică țineți degetul pe întrerupător sau dacă porniți scula electrică înainte de a o racorda la rețeaua de curent, puteți provoca accidente.
  - Înainte de a pune mașina în funcțiune scoateți afară cheile reglabile și fixe.** O cheie reglabilă sau fixă, aflată într-o componentă de mașină care se rotește, poate provoca răniri.
  - Nu vă supraapreciați. Asigurați-vă o poziție stabilă și păstrați-vă întotdeauna echilibrul.** Astfel veți putea controla mai bine mașina în situații neașteptate.
  - Purtați îmbrăcăminte de lucru adecvată. Nu purtați haine largi sau podoabe. Feriți părul și îmbrăcămintea de piesele aflate în mișcare.** Îmbrăcămintea largă, podoabele și părul lung pot fi prinse de piesele aflate în mișcare.
  - Dacă există posibilitatea montării de echipamente și instalații de aspirare și colectare a prafului, asigurați-vă că acestea sunt conectate și folosite corect.** Folosirea unei instalații de aspirare a prafului poate duce la reducerea poluării cu praf.
  - Nu vă lăsați amăgiți de ușurința în operare dobândită în urma folosirii frecvente a sculelor electrice și nu ignorați principiile de siguranță ale acestora.** Neglijența poate provoca, într-o fracțiune de secundă, vătămări corporale grave.
- ### 4) MANEVRAȚI ȘI FOLOSIȚI CU GRIJĂ SCULELE ELECTRICE
- Nu suprasolicitați mașina. Folosiți scula electrică destinată executării lucrării dumneavoastră.** Cu scula electrică potrivită lucrați mai bine și mai sigur în domeniul de putere specificat.
  - Nu folosiți scula electrică dacă are întrerupătorul defect.** O sculă electrică, care nu mai poate fi pornită sau oprită este periculoasă și trebuie reparată.
  - Scoateți ștecherul afară din priză și/sau îndepărtați acumulatorul dacă este detașabil, înainte de a executa reglaje, a schimba accesorii sau a depozita scula electrică.** Această măsură preventivă reduce riscul unei porniri involuntare a mașinii.
  - În caz de nefolosire păstrați mașinile la loc inaccesibil copiilor. Nu permiteți persoanelor care nu sunt familiarizate cu mașina sau care n-au citit prezentele instrucțiuni, să folosească mașina.** Sculele electrice sunt periculoase atunci când sunt folosite de persoane fără experiență.
  - Întrețineți sculele electrice și accesoriile acestora. Controlați dacă componentele mobile funcționează corect și dacă nu se blochează, dacă nu există piese defecte sau deteriorate, care să afecteze funcționarea mașinii. Înainte de a repune în**

funcțiune mașina, duceți-o la un atelier de asistență service pentru repararea sau înlocuirea pieselor deteriorate. Multe accidente s-au datorat întreținerii defectuoase a sculelor electrice.

- f) **Păstrați accesoriile bine ascuțite și curate.** Accesoriile atent întreținute, cu muchii tăietoare bine ascuțite se blochează mai greu și pot fi conduse mai ușor.
- g) **Folosiți sculele electrice, accesoriile, dispozitivele de lucru etc. conform prezentelor instrucțiuni. Țineți seama de condițiile de lucru și de lucrarea care trebuie executată.** Întrebuintarea unor scule electrice destinate altor utilizări decât cele preconizate, poate duce la situații periculoase.
- h) **Mențineți mânerele și zonele de prindere uscate, curate și feriți-le de ulei și unsoare.** Mânerele și zonele de prindere alunecoase nu permit manevrarea și controlul sigur al sculei electrice în situații neașteptate.
- 5) MANEVRAȚI ȘI FOLOSIȚI CU GRIJĂ SCULELE ELECTRICE CU ACUMULATOR**
- a) **Folosiți pentru încărcarea acumulatorilor numai încărcătoarele recomandate de producător.** Dacă un încărcător destinat unui anumit tip de acumulator este folosit la încărcarea altor acumulatori există pericol de incendiu.
- b) **Folosiți la sculele electrice numai acumulatorii prevăzuți în acest scop.** Întrebuintarea altor acumulatori decât cei specificați poate duce la răniri și pericol de incendii.
- c) **Feriți acumulatorii nefolosiți de contactul cu agrafe de birou, monede, chei, cuie, șuruburi sau alte obiecte metalice mici, care pot produce o punte metalică între contactele acumulatorului.** Un scurtcircuit între polii de contact ai acumulatorului poate avea drept consecință arsuri sau incendii.
- d) **Ca urmare a folosirii necorespunzătoare, din acumulator se poate scurge lichid. Evitați contactul cu acesta. În caz de contact accidental, clătiți cu apă. Dacă lichidul vă intră în ochi, pe lângă măsurile aminite consultați și un medic.** Lichidul care se scurge din acumulator poate provoca iritarea pielii sau arsuri.
- e) **Nu folosiți un acumulator sau o sculă electrică cu acumulator deteriorat sau modificat.** Acumulatorii deteriorați sau modificați pot avea un comportament imprevizibil care să ducă la incendii, explozie sau să genereze risc de vătămări corporale.
- f) **Nu expuneți acumulatorul sau scula electrică la foc sau temperaturi excesive.** Expunerea la foc sau temperaturi de peste 130°C poate duce la explozii.
- g) **Respectați toate instrucțiunile de încărcare și nu reîncărcați acumulatorul sau scula electrică cu acumulator la temperaturi situate în afara domeniului de temperaturi specificat în instrucțiuni.** Încărcarea incorectă sau la temperaturi situate în afara domeniului de temperaturi specificat ar putea cauza deteriorarea acumulatorului și mări riscul de incendiu.
- 6) SERVICIU**
- a) **Permiteți repararea mașinii dumneavoastră numai de către un specialist calificat și numai cu piese de schimb originale.** În acest mod este garantată menținerea siguranței de exploatare a mașinii.
- b) **Nu întrețineți niciodată acumulatorii deteriorați.** Întreținerea acumulatorilor ar trebui efectuată numai

de către producător sau de către furnizorii de service autorizați de acesta.

## INSTRUCȚIUNI DE SIGURANȚĂ PENTRU ȘURUBELNIȚELE CU IMPACT CU ACUMULATORI

- **Țineți scula electrică de mânerele izolate atunci când executați operații în cursul cărora dispozitivul de fixare poate atinge fire electrice ascunse** (contactul cu un cablu aflat sub tensiune poate electriciza componentele metalice ale sculei electrice, existând riscul unui șoc electric pentru operator)

### GENERALITĂȚI

- Praful rezultat din materiale precum vopseaua care conține plumb, unele specii de lemn, minerale și metale poate fi periculos (contactul cu praful sau inhalarea acestuia poate provoca reacții alergice și/sau afecțiuni respiratorii operatorului sau persoanelor care stau în apropiere); **purtați o mască de praf și lucrați cu un dispozitiv de extragere a prafului când poate fi conectat**
- Anumite tipuri de praf sunt clasificate ca fiind cancerigene (cum ar fi praful de stejar și fag) în special în combinație cu aditivi pentru tratarea lemnului; **purtați o mască de praf și lucrați cu un dispozitiv de extragere a prafului când poate fi conectat**
- Respectați reglementările naționale referitoare la aspirația prafului în funcție de materialele de lucru folosite
- **Nu prelucrați materiale care conțin azbest** (azbestul este considerat a fi cancerigen)
- Asigurați-vă că comutator B ② este în poziția din mijloc (poziția de blocaj) înainte de a executa reglaje ale sculei electrice sau de a înlocui accesoriile precum și în cazul de transport sau depozitare a sculei electrice

### ACCESORII

- SKIL garantează funcționarea perfectă a aparatului numai dacă sunt folosite accesoriile originale
- Folosiți numai accesoriile a căror turație admisă este cel puțin egală cu turația maximă la mers în gol a aparatului

### ÎNAINTEA UTILIZĂRII

- Evitați daunele provocate de șuruburi, țiște și alte elemente din timpul lucrului; înlăturați aceste elemente înainte de a trece la acțiune
- **Securizați piesa de lucru** (o piesă de lucru fixată cu clame sau într-o menghină este ținută mult mai în siguranță decât manual)
- **Folosiți detectoare adecvate pentru depistarea conductelor și conductorilor de alimentare sau apelați în acest scop la întreprinderea locală de furnizare a utilităților** (contactul cu conductorii electrice poate provoca incendii sau electrocutare; deteriorarea unei conducte de gaz poate duce la explozii; spargerea unei conducte de apă provoacă pagube materiale sau poate provoca electrocutare)

### BATERIILOR

- **Bateria furnizată, dacă există, este parțial încărcată** (pentru a asigura o capacitate maximă a bateriei, încărcați-o complet utilizând încărcătorul acesteia înainte de a utiliza scula electrică pentru prima dată)
- **Utilizați numai următoarele baterii și încărcătoare cu această sculă**
  - Baterie SKIL: BR1\*31\*\*\*\*
  - Încărcător SKIL: CR1\*31\*\*\*\*
- Nu folosiți bateria dacă aceasta este avariata; ea trebuie

- înlocuită imediat
- Nu dezasamblați bateria
  - Nu expuneți scula/bateria la ploaie
  - Temperatură ambientă admisă (instrument/încărcător/acumulator):
    - în timpul încărcării 4...40°C
    - în timpul funcționării -20...+50°C
    - în timpul depozitării -20...+50°C

#### EXPLICAȚIA SIMBOLURILOR DE PE INSTRUMENT/ BATERIE

- ③ Citiți manual de instrucțiuni înainte de utilizare
- ④ Bateriile vor exploda când sunt aruncate în foc, deci nu ardeți bateriile sub niciun motiv
- ⑤ Păstrați instrumentul/încărcătorul/bateria la temperaturi cuprinse între 50°C și 0°C
- ⑥ Nu aruncați sculele electrice și bateriile direct la pubelele de gunoi

#### UTILIZAREA

- Întrerupător combinat pentru conectare/deconectare și dirijarea vitezei A ⑦
  - dirijați viteza de la 0 la maximum prin apăsare mai puternică sau mai slabă a butonului de pornire A ④
- Încărcarea bateriei
  - ! **citiți avertismentele de siguranță și instrucțiunile care au fost furnizate împreună cu încărcătorul**
- Scoaterea/instalarea bateriilor ②
- Indicator nivel încărcare acumulator ⑨
  - apăsați butonul care indică nivelul de încărcare a bateriei G pentru a afișa nivelul actual de încărcare al bateriei ⑨y
  - ! **când nivelul minim al indicatorului bateriei începe să lumineze intermitent după apăsarea butonului G ⑨b, bateria este descărcată**
  - ! **Când 2 nivelurile indicatorului bateriei încep să lumineze intermitent după apăsarea butonului G ⑨c, bateria nu se încădrează în intervalul permis de temperatură de funcționare**
- Protecția bateriei
 

Aparatul este oprit brusc sau împiedicat să fie pornit când

  - **sarcina este prea mare** --> îndepărtați sarcina și reporniți
  - **temperatura bateriei nu se încădrează în intervalul permis de temperatură de funcționare între -20 și +50 °C** --> nivelurile 2 ale indicatorului nivelului de încărcare al bateriei încep să lumineze intermitent la apăsarea butonului G ⑨c; așteptați până când bateria revine în intervalul permis de temperatură de funcționare
  - **bateria este aproape descărcată (pentru a proteja împotriva descărcării în totalitate)** --> un nivel de încărcare scăzut al bateriei sau un nivel de încărcare scăzut al bateriei care luminează intermitent ⑨b este afișat de indicatorul nivelului de încărcare al bateriei la apăsarea butonului G; încărcați bateria
  - ! **nu continuați să apăsați comutatorul pornit/oprit după oprirea automată a mașinii; în caz contrar, bateria poate fi deteriorată**
- Lumină LED V ⑩
 

LED-ul se aprinde automat când activați comutatorul de pornire/oprire

! **când lumina LED începe să lumineze intermitent,**

#### protecția bateriei este activată (a se vedea mai sus)

- Instalarea și îndepărtarea biturilor
  - pentru a instala un bit, trageți manșonul de blocare C înainte, introduceți bitul în suportul de bit și eliberați manșonul de blocare C pentru a bloca bitul. (11a 11b 11c)
  - ! **trageți bitul înainte pentru a verifica dacă este blocat (11d).**
  - pentru a scoate un bit, trageți în față manșonul de blocare C
  - ! **utilizați numai bituri cu prindere cu bilă, alte bituri pot fi utilizate cu un suport universal pentru bituri cu prindere cu bilă.**
  - ! **nu folosiți biți cu coadă deteriorată**
- Schimbarea direcției de rotație ⑫
  - dacă pârghia nu se așa în poziția corectă stânga/dreapta, întrerupător A ② nu va putea fi acționat
  - ! **schimbați direcția de rotație abia atunci când aparatul este complet oprit**
- Selectarea modului ⑬
  - apăsați butonul de turaj E pentru a selecta modul de strângere sau de slăbire dorit atunci când scula este setată pentru rotație înainte sau înapoi:
  - Mod viteză scăzută (L) ⑬a**
    - strângeți sau slăbiți cu mai puțină forță și viteză redusă
    - pentru șuruburi mai mici
  - Mod viteză ridicată (L) ⑬b**
    - strângere sau slăbiți cu mai multă forță și viteză ridicată
    - pentru șuruburi și bolțuri mari
  - Mod de control (Săgeată) ⑬c**
    - începeți încet pentru a ajuta la introducerea șurubului în lemn
    - crescând automat viteza atunci când șurubul este parțial introdus
    - pentru șuruburi lungi, în special șuruburi PHILLIPS/POZIDRIV
  - ! **modul de control este disponibil doar cu rotație înainte; cu rotație inversă se utilizează pentru viteză medie**
  - ! **modurile pot fi schimbate doar după apăsarea ușoară a butonului on/off (pornit/oprit) [ledul (ledurile) verzi sunt activate] și atunci când instrumentul este oprit**
- Mănuirea și dirijarea sculei ⑭
  - ! **în timp ce lucrați, țineți întotdeauna scula de zonă (zonele) de prindere colorate gri**
  - mențineți fantele de ventilație D ② neacoperite
  - nu exercitați prea multă presiune asupra sculei; lăsați scula să funcționeze

#### SFATURI PENTRU UTILIZARE

- Folosiți biți juste
- Atunci când doriți să suciți un șurub la marginea, colțul, capătul lemnului, se recomandă să faceți o gaură cu instrumentul de găurit pentru a evita crăparea lemnului
- În cazul înșurubării într-un lemn tare se recomandă efectuarea în prealabil a unei găuri
- Atunci când strângeți un șurub sau o piuliță, nu strângeți prea tare. Deoarece forța șurubelniței cu impact poate rupe dispozitivul de fixare. Țineți scula aliniată cu șurubul pentru a preveni deteriorarea capului elementului de fixare.



- Cupлul depinde de durata impactului. Cupлul maxim este atins după o durată de impact de 6-10 secunde.  
**! verificați întотdeauna cupлul de strângere cu un dinamometру.**
- Pentru o utilizare optimală a instrumentului este necesară exercitarea unei presiuni constante asupra șurubului, mai ales la îndepărtarea unui element de fixare.
- Pentru mai multe informații, consultați [www.skil.com](http://www.skil.com)

## ÎНТРЕТІНЕРЕ / SERVICE

- Пăстраți întотdeauna апаратуl curat (mai ales fantele de ventilație D ②)  
**! scoateți bateria din scula electrică înainte de curățare**
- Dacă în ciuda procedeeelor de fabricație și control rіguroase scula are totuși o pană, repararea acesteia se va face numai la un atelier de asistență service autorizat pentru scule electrice SKIL
  - trimiteți scula **în totalitatea lui** cu bonul de cumpărare la distribuitorul sau la centrul de service SKIL cel mai apropiat (adrese și diagrame de service se găseasc la [www.skil.com](http://www.skil.com))
- Trebuie să fiți conștienți de faptul că deteriorarea datorată suprasarcinii sau utilizării incorecte a sculei vor fi excluse din garanție (pentru condițiile de garanție SKIL consultați [www.skil.com](http://www.skil.com) sau întrebați distribuitorul)

## MEDIUL

- **Nu aruncați sculele electrice, bateriile, accesoriile sau ambalajele direct la pubelele de gunoi** (numai pentru țările din Comunitatea Europeană)
  - Directiva Europeană 2012/19/EC face referire la modul de aruncare a echipamentelor electrice și electronice și modul de aplicare a normelor în conformitate cu legislația națională; sculele electrice în momentul în care au atins un grad avansat de uzură și trebuie sc aruncate, ele trebuie sc colectate separat și reciclate într-un mod ce respectă normele de protecție a mediului înconjurător
  - simbolul ⑥ vă va reaminti acest lucru
- **! înainte aruncare protejați terminalele bateriei cu lentă protectoare pentru a preîntâmpina scurtcircuitul**

## ZGOMOT / VIBRAȚІИ

- Măsurate în conformitate cu EN 62841, nivelul de presiune sonoră a acestui instrument este 78 dB(A) și nivelul de zgomot 86 dB(A) (incertitudinea K = 3 dB) și vibrația <2,5 m/s<sup>2</sup> (suma vectorială triaxială; incertitudinea K = 1,5 m/s<sup>2</sup>)
- Nivelul emisiilor de vibrații a fost măsurat în conformitate cu un test standardizat precizat în EN 62841; poate fi folosit pentru a compara o sculă cu alta și ca evaluare preliminară a expunerii la vibrații atunci când folosiți scula pentru aplicațiile menționate
  - utilizarea sculei pentru aplicații diferite sau cu accesorii diferite și prost întreținute poate **crește** semnificativ nivelul de expunere
  - momentele în care scula este oprită sau când funcționează dar nu execută nicio lucrare, pot **reduce** semnificativ nivelul de expunere
- **! protejați-vă împotriva efectelor vibrațiilor prin**

**îнтреținerea sculei și a accesoriilor sale, păstrând mâinile calde și organizând procesele de lucru**

BG

## Безчетков акумулаторен ударен винтоверт

3211

## УВОД

- Този инструмент е предназначен за завинтване и разхлабване на винтове и болтове
  - Проверете дали опаковката съдържа всички части, както е илюстрирано на чертеж ②
  - Ако някои части липсват или са повредени, моля, свържете се със своя търговец
- Прочетете и пазете това ръководство за работа ③
  - **Обърнете специално внимание на инструкциите за безопасност и предупрежденията; неспазването им може да доведе до сериозно увеждане**

## ТЕХНИЧЕСКИ ДАННИ ①

Макс. въртящ момент при твърди винтови съединения по ISO 5393 : 250Nm

## ЕЛЕМЕНТИ НА ИНСТРУМЕНТА ②

- A** Спусък за включване/изключване и регулиране на скоростта
- B** Превключвател за обръщане на посоката на въртене
- C** Затягаща втулка
- D** Вентилационните отвори
- E** Бутон за скоростта
- F** LED светлина
- G** Индикатор за капацитета на батерията
- H** 50 mm накрайник за винтоверт

## БЕЗОПАСНОСТ

### ОБЩИ УКАЗАНИЯ ЗА БЕЗОПАСНА РАБОТА С ЕЛЕКТРОИНСТРУМЕНТИ

**⚠ ПРЕДУПРЕЖДЕНИЕ** Прочете всички предупреждения за безопасност, инструкции, илюстрации и спецификации, доставени с този електроинструмент. Неспазването на всички описани по-долу инструкции може да доведе до токов удар, пожар и/или тежко нараняване.

**Запазете всички предупреждения и указания за ползване в бъдеще.**

Използваният по-долу термин "електроинструмент" се отнася до захранвани от електрическата мрежа електроинструменти (със захранващ кабел) и до захранвани от акумулаторна батерия електроинструменти (без захранващ кабел).

- 1) **БЕЗОПАСНОСТ НА РАБОТНОТО МЯСТО**
  - a) **Поддържайте работното си място чисто и**

- подредено. Безпорядъкът или недостатъчното осветление могат да спомогнат за възникването на трудова злополука.
- b) **Не работете с електроинструмента в среда с повишена опасност от възникване на експлозия, в близост до леснозапалими течности, газове или прахообразни материали.** По време на работа в електроинструментите се отделят искри, които могат да възпламят прахообразни материали или пари.
- c) **Дръжте деца и странични лица на безопасно разстояние, докато работите с електроинструмента.** Ако вниманието Ви бъде отклонено, може да загубите контрола над електроинструмента.
- 2) БЕЗОПАСНОСТ ПРИ РАБОТА С ЕЛЕКТРИЧЕСКИ ТОК**
- a) **Щепселът на електроинструмента трябва да е подходящ за ползвания контакт. В никакъв случай не се допуска изменение на конструкцията на щепсела. Когато работите със занулени електроуреди, не използвайте адаптери за щепсела.** Ползването на оригинални щепсели и контакти намалява риска от възникване на токов удар.
- b) **Избягвайте допира на тялото Ви до заземени тела, напр. тръби, отоплителни уреди, пещи и хладилници.** Когато тялото Ви е заземено, рискът от възникване на токов удар е по-голям.
- c) **Предпазвайте електроинструмента си от дъжд и влага.** Проникването на вода в електроинструмента повишава опасността от токов удар.
- d) **Не използвайте захранващия кабел за цели, за които той не е предвиден, напр. за да носите електроинструмента за кабела или да извадите щепсела от контакта. Предпазвайте кабела от нагряване, омасляване, допир до остри ръбове или до подвижни звена на машини.** Повредени или усукани кабели увеличават риска от възникване на токов удар.
- e) **Когато работите с електроинструмент навън, използвайте само удължителни кабели, предназначени за работа на открито.** Използването на удължител, предназначен за работа на открито, намалява риска от възникване на токов удар.
- f) **Ано се налага използването на електроинструмента във влажна среда, използвайте предпазен прекъсвач за утечни токове.** Използването на предпазен прекъсвач за утечни токове намалява опасността от възникване на токов удар.
- 3) БЕЗОПАСЕН НАЧИН НА РАБОТА**
- a) **Бъдете концентрирани, следете внимателно действието си и постъпвайте предпазливо и разумно. Не използвайте електроинструмента, когато сте уморени или под влиянието на наркотични вещества, алкохол или упойващи лекарства.** Един миг разсеяност при работа с електроинструмент може да има за последствие изключително тежки наранявания.
- b) **Работете с предпазващо работно облекло и винаги с предпазни очила.** Носенето на подходящи

- за ползвания електроинструмент и извършваната дейност лични предпазни средства, като дихателна маска, здрави плътнотзатворени обувки със стабилен грайфер, защитна каска или шумозаглушители (антифони), намалява риска от възникване на трудова злополука.
- c) **Избягвайте опасността от включване на електроинструмента по невнимание. Преди да включите щепсела в захранващата мрежа или да поставите акумуляторната батерия, се уверявайте, че пусковият прекъсвач е в положение изключено.** Ако, когато носите електроинструмента, държите пръста си върху пусковия прекъсвач, или ако подавате захранващо напрежение на електроинструмента, когато е включен, съществува опасност от възникване на трудова злополука.
- d) **Преди да включите електроинструмента, се уверявайте, че сте отстранили от него всички помощни инструменти и гаечни ключове.** Помощен инструмент, забравен на въртящо се звено, може да причини травми.
- e) **Не надценявайте възможностите си. Работете в стабилно положение на тялото и във всеки момент поддържайте равновесие.** Така ще можете да контролирате електроинструмента по-добре и по-безопасно, ако възникне неочаквана ситуация.
- f) **Работете с подходящо облекло. Не работете с широки дрехи или украшения. Дръжте косата и дрехите си на безопасно разстояние от движещи се звена.** Широките дрехи, украшенията, дългите коси могат да бъдат захванати и увлечени от въртящи се звена.
- g) **Ано е възможно използването на външна аспирационна система, се уверявайте, че тя е включена и функционира изправно.** Използването на аспирационна система намалява рисковете, дължащи се на отделящата се при работа прах.
- h) **Доброто познаване на електроинструмента вследствие на честа работа с него не е повод за намаляване на вниманието и пренебрегване на мерките за безопасност.** Едно невнимателно действие може да предизвика тежки наранявания само за части от секундата.
- 4) ВНИМАТЕЛНО ОТНОШЕНИЕ НЪМ ЕЛЕКТРОИНСТРУМЕНТИ**
- a) **Не претоварвайте електроинструмента. Използвайте електроинструментите само съобразно тяхното предназначение.** Ще работите по-добре и по-безопасно, когато използвате подходящия електроинструмент в зададения от производителя диапазон на натоварване.
- b) **Не използвайте електроинструмент, чиито пусков прекъсвач е повреден.** Електроинструмент, който не може да бъде изключван и включван по предвидения от производителя начин, е опасен и трябва да бъде ремонтиран.
- c) **Преди да извършвате каквито и да е дейности по електроинструмента, напр. настройване, смяна на работен инструмент, както и когато го прибирате, изключвайте щепсела от контакта, респ. изваждайте батерията, ано е възможно.**

- Тази мярка премахва опасността от задействане на електроинструмента по невнимание.
- d) **Съхранявайте електроинструментите на места, където не могат да бъдат достигнати от деца. Не допускайте те да бъдат използвани от лица, които не са запознати с начина на работа с тях и не са прочели тези инструкции.** Когато са в ръцете на неопитни потребители, електроинструментите могат да бъдат изключително опасни.
  - e) **Поддържайте добре електроинструментите си и аксесоарите им. Проверявайте дали подвижните звена функционират безукорно, дали не заклинват, дали има счупени или повредени детайли, които нарушават или изменят функциите на електроинструмента. Преди да използвате електроинструмента, се погрижете повредените детайли да бъдат ремонтирани.** Много от трудовите злополуки се дължат на недобре поддържани електроинструменти и уреди.
  - f) **Поддържайте режещите инструменти винаги добре заточени и чисти.** Добре поддържаните режещи инструменти с остри ръбове оказват по-малко съпротивление и се водят по-леко.
  - g) **Използвайте електроинструментите, допълнителните приспособления, работните инструменти и т.н., съобразно инструкциите на производителя. С дейности и процедури, евентуално предписани от различни нормативни документи.** Използването на електроинструменти за различни от предвидените от производителя приложения повишава опасността от възникване на трудови злополуки.
  - h) **Поддържайте дръжките и ръкохватките сухи, чисти и неомаслени.** Хлъзгавите дръжки и ръкохватки не позволяват безопасната работа и доброто контролиране на електроинструмента при възникване на неочаквана ситуация.
- 5) ВНИМАТЕЛНО ОТНОШЕНИЕ КЪМ АКУМУЛАТОРНИ ЕЛЕКТРОИНСТРУМЕНТИ**
- a) **За зареждането на акумулаторните батерии използвайте само зарядните устройства, препоръчвани от производителя.** Когато използвате зарядни устройства за зареждане на неподходящи акумулаторни батерии, съществува опасност от възникване на пожар.
  - b) **За захранване на електроинструментите използвайте само предвидените за съответния модел акумулаторни батерии.** Използването на различни акумулаторни батерии може да предизвика трудова злополука и/или пожар.
  - c) **Предпазвайте неизползваните акумулаторни батерии от контакт с големи или малки метални предмети, напр. кламери, монети, ключове, пирони, винтове и др.п., тъй като те могат да предизвикат късо съединение.** Последствията от късото съединение могат да бъдат изгаряния или пожар.
  - d) **При неправилно използване от акумулаторна батерия от нея може да изтече електролит. Избягвайте контакта с него. Ако въпреки това на кожата Ви попадне електролит, изпланкнете мястото обилно с вода. Ако електролит попадне в очите Ви, незабавно се обърнете за помощ**

- към очен лекар.** Електролитът може да предизвика изгаряния на кожата.
- e) **Не използвайте акумулаторна батерия или електроинструмент, които са повредени или с изменена конструкция.** Повредени или изменени акумулаторни батерии могат да се възпламенят, експлодират или да предизвикат наранявания.
  - f) **Не излагайте акумулаторната батерия на високи температури или огън.** Излагането на огън или температури над 130°C могат да предизвикат експлозии.
  - g) **Спазвайте всички указания за зареждане на акумулаторната батерия; не я зареждайте, ако температурата ѝ е извън диапазона, посочен в инструкциите.** Неправилното зареждане или зареждането при температури извън допустимия диапазон могат да увредят батерията и увеличават опасността от пожар.
- 6) ПОДДЪРЖАНЕ**
- a) **Допускайте ремонтът на електроинструментите Ви да се извършва само от квалифицирани специалисти и само с използването на оригинални резервни части.** По този начин се гарантира съхраняване на безопасността на електроинструмента.
  - b) **Никога не ремонтирайте повредени акумулаторни батерии.** Ремонтът на акумулаторни батерии трябва да се извършва само от производителя или от оторизиран сервиз.

#### **ИНСТРУКЦИИ ЗА БЕЗОПАСНОСТ ЗА АКУМУЛАТОРНИ УДАРНИ ГАЙНОВЕРТИ**

- **Дръжте електроинструмента за изолирани захващащи повърхности при изпълняване на операция, при която скрепителният елемент може да влезе в контакт със скрито онабеляване** (скрепителни елементи в контакт с „жив“ електрически проводник могат да направят изложените метални части на електроинструмента „живи“ и да причинят електрически шок у оператора)
- ОБЩИ**
- Прахът от някои материали, като например съдържаща олово боя, някои видове дървесина, минерали и метали може да бъде вреден (контакт или вдихване на такъв прах могат да причинят алергични реакции и/или респираторни заболявания на оператора или стоящите наблизо лица); **използвайте противопрахова маска и работете с аспириращо прахта устройство, когато такова може да бъде свързано**
  - Определени видове прах са класифицирани като карциногенни (като прах от дъб и бук) особено когато са комбинирани с добавки за подобряване на състоянието на дървесината; **използвайте противопрахова маска и работете с аспириращо прахта устройство, когато такова може да бъде свързано**
  - Следвайте дефинираните по БДС изисквания относно запрашеността за материалите, които желаете да обработвате
  - **Не обработвайте азбестосъдържащ материал** (азбестът е канцерогенен)
  - Убедете се че ключа В ② е в средно (блокирано) положение, преди да направите каквито и да

реглажи или смени на консумативите или когато транспортирате или прибирате инструмента

#### АНКСЕСОАРИ

- SKIL може да осигури безаварийна работа на електроинструмента само ако се използват оригинални допълнителни приспособления
- Използвайте само принадлежности, чиято допустима скорост на въртене е по-голяма или равна на максималната скорост на въртене на празен ход на електроинструмента

#### ПРЕДИ УПОТРЕБА

- Избягвайте повреди, които могат да бъдат причинени от винтове, гвоздеи и други метални елементи в обработвания детайл; отстранете ги преди да започнете работа
- **Обезопасете работния материал** (материал, затегнат в затягащ инструмент или в менгеме е по-устойчив, отколкото ако се държи в ръка)
- **За да откриете скрити под повърхността електро-, водо- и газопроводи, използвайте подходящи уреди или се обърнете към местното снабдително дружество** (прекъсването на електропроводници под напрежение може да предизвика пожар и/или токов удар; увреждането на газопровод може да предизвика експлозия; засягането на водопровод може да предизвика значителни материални щети и/или токов удар)

#### БАТЕРИИ

- **Доставената в комплекта батерия е частично заредена** (за да осигурите пълен капацитет на батерията, заредете напълно батерията в зарядното устройство за батерия, преди да използвате вашия електроинструмент за първи път)
- **Използвайте само следните батерии и зарядни устройства с този инструмент**
  - SKIL батерия: BR1\*31\*\*\*\*
  - SKIL зарядно устройство: CR1\*31\*\*\*\*
- Не използвайте неизправна батерия; незабавно я заменете
- Не разглобявайте батерията
- Не излагайте на дъжд инструмента/батерията
- Допустима околна температура (инструмент/зарядното устройство/батерия):
  - при зареждане 4...40°C
  - по време на работа -20...+50°C
  - при съхраняване -20...+50°C

#### ОБЯСНЕНИЕ НА СИМВОЛИТЕ ПО ИНСТРУМЕНТА/ АКУМУЛАТОРНАТА БАТЕРИЯ

- ③ Преди употреба прочетете ръководството с указания
- ④ Хвърлен в огън, акумулаторът ще експлодира, така че не изгаряйте акумулатора по каквато и да е причина
- ⑤ Съхранявайте инструмента/зарядното устройство/батерията в помещението при температури, не по-високи от 50°C
- ⑥ Не извървявайте електроуредите и батерии заедно с битови отпадъци

#### УПОТРЕБА

- Комбиниран бутон за включване/изключване и управление на скоростта A ⑦
  - управлението на скоростта от нула до максималната стойност се извършва като натискате прекъсвача A ⑧ по-силно или по-слабо

- Зареждане на акумулатора
  - ! прочетете предупрежденията и инструкциите за безопасност, доставени със зарядното устройство
- Изваждане/поставяне на батерията ②
- Индикатор за капацитета на батерията ⑨
  - натиснете бутона за индикатор на нивото на заряд на батерията G за показване на текущото ниво на заряд на батерията ⑨z
  - ! когато най-ниското ниво на индикатора за заряд на батерията започне да мига след натискане на бутона G ⑨b, батерията е празна
  - ! когато 2 нивата на индикатора за заряд на батерията започнат да мигат след натискане на бутона G ⑨c, батерията не е в допустимия работен температурен диапазон
- Защита на батерията
  - Инструментът внезапно се изключва или не позволява да се включи, когато
    - натоварването е прекалено голямо --> премахнете натоварването и рестартирайте
    - температурата на батерията е извън допустимия работен температурен диапазон от -20 до +50°C --> 2 нивата на индикатора за заряд на батерията започват да мигат, когато натискате бутона G ⑨c; изчакайте, докато батерията си възвърне допустимия работен температурен диапазон
    - батерията е почти празна (за предпазване срещу пълно разреждане) --> ниско ниво на батерията или мигащо ниско ниво на батерията ⑨b е показано чрез индикатора за заряд на батерията, когато натискате бутона G; заредете батерията
  - ! след автоматичното изключване на инструмента не продължавайте да натискате спусъка, понеже може да се повреди акумулаторът
- LED светлина ⑩
  - LED светлината светва автоматично, когато се активира превключвателят за включване/изключване
  - ! когато LED светлината започне да мига, защитата на батерията е активирана (вижте по-горе)
- Инсталиране и премахване на крайници
  - за да инсталирате крайника, дръпнете фиксиращата втулка C напред, поставете крайника до края в държача за крайници и освободете фиксиращата втулка C, за да заключите крайника. (①a ①b ①c)
  - ! дръпнете крайника напред, за да проверите дали е фиксиран (①d)
  - за да свалите крайник, дръпнете фиксиращата втулка C напред
  - ! използвайте само крайници с фиксатор със сачма и пружина, други крайници могат да бъдат използвани с универсален държач за крайници с фиксатор със сачма и пружина
  - ! не използвайте крайници с повредена опашка
- Обръщане на посоката на въртене ⑫
  - ако лостът не е точно в положение включване/изключване, спусъкът A ② не може да бъде

активиран

**! обръщайте посоката на въртене само когато електроинструментът е напълно спрял**

- Избор на режим ⑬
- натиснете бутона за скорост E, за да изберете желанния режим на затягане или разхлабване, когато инструментът е настроен на предно или задно въртене:

**Режим на ниска скорост (L) ⑬a**

- затягане или разхлабване с по-малко сила и с ниска скорост
- за по-малки винтове

**Режим на висока скорост (L) ⑬b**

- затягане или разхлабване с голяма сила и скорост
- за големи винтове и болтове

**Контролен режим (Стрела) ⑬c**

- започва бавно, за да подпомогне завиването на винта в дървото
- автоматично увеличава скоростта, когато винтът е завит
- за дълги винтове, особено за винтове PHILLIPS/POZIDRIV

**! контролният режим е възможен само с въртене напред; при въртене в обратна посока той се използва за средна скорост**

**! режимите могат да се сменят само след плавно натискане на превключвателя за вкл./изкл. (зелените светодиоди са активирани) и когато инструментът е напълно спрял**

- Държане и насочване на инструмента ⑭
- ! по време на работа, винаги дръжте уреда за оцветената(ите) в сиво зона(и) за хващане**
- оставяйте вентилационните отвори D ② непокрити
- не прилагайте твърде голям натиск върху инструмента; нека той да свърши работата вместо вас

## УКАЗАНИЯ ЗА РАБОТА

- Използвайте подходящи бит
- При завиване на винт в близост до ръба на дървен детайл първо пробийте отвор, за да избегнете откъртване на дървото
- При завиване на винтове в твърдо дърво първо пробийте отвор
- Когато затягате винт, не претягайте. Тъй като силата на ударния винтоверт може да счупи крепежния елемент. Дръжте инструмента в една линия с винта, за да предотвратите повреда на главата на крепежния елемент.
- Въртящият момент зависи от продължителността на удара. Максимален въртящ момент се постига след удар с продължителност 6-10 секунди.
- ! винаги проверявайте въртящия момент на затягане с динамометричен ключ**
- За оптимална работа на електроинструмента е необходим постоянен натиск върху болта, включително при развиване на крепежен елемент.
- За повече информация вижте [www.skil.com](http://www.skil.com)

## ПОДДРЪЖКА / СЕРВИЗ

- Винаги поддържайте инструмента чист (особено вентилационните отвори D ②)
- ! извадете батерията от инструмента преди**

### почистване

- Ако въпреки прецизното производство и внимателно изпитване възникне повреда, инструмента да се занесе за ремонт в оторизиран сервиз за електроинструменти на SKIL
  - занесете инструмента **в неразглобен вид** заедно с доказателство за покупката му в търговския обект, откъдето сте го закупили, или в най-близкия сервиз на SKIL (адресите, както и схемата за сервизно обслужване на електроинструмента, можете да намерите на адрес [www.skil.com](http://www.skil.com))
- Имайте предвид, че повреда поради претоварване или неправилно манипулиране с инструмента ще бъдат изключени от гаранцията (за условията на гаранцията от SKIL виж на интернет адрес: [www.skil.com](http://www.skil.com) или попитайте вашия дилър)

## ОПАЗВАНЕ НА ОКОЛНАТА СРЕДА

- **Не изхвърляйте електроуредите, батерии, приспособленията и опаковките заедно с битови отпадъци** (само за страни от EC)
  - съобразно Директивата на EC 2012/19/EG относно износени електрически и електронни уреди и отразяването ѝ в националното законодателство износените електроуреди следва да се събират отделно и да се предават за рециклиране според изискванията за опазване на околната среда
  - за това указва символът ⑥ тогава когато трябва да бъдат унищожени
- ! преди да изхвърлите батерията, защитете изводите ѝ с дебела лепенка, за да няма опасност от възникване на късо съединение**

## ШУМ / ВИБРАЦИИ

- Измерено в съответствие с EN 62841, нивото на звуковото налягане на този инструмент е 78 dB(A), а нивото на звуковата мощност 86 dB(A) (неопределеност K = 3 dB), и вибрацията <2,5 m/s<sup>2</sup> (триаксиална векторна сума; неопределеност K = 1,5 m/s<sup>2</sup>)
- Нивото на предадените вибрации е измерено в съответствие със стандартизирания тест, определен в EN 62841; то може да се използва за сравнение на един инструмент с друг и като предварителна оценка на подлагането на вибрации при използването на инструмента за посочените приложения
  - използването на инструмента за различни от тези приложения или с други, или лошо поддържани аксесоари може значително **да повиши** нивото на което сте подложени
  - периодите от време, когато инструмента е изключен или съответно включен, но с него не се работи в момента могат значително **да намалят** нивото на което сте подложени
- ! предлагайте се от ефентите от вибрациите, като поддържате инструмента и аксесоарите му, пазите ръцете си топли и организирате вашите модели на работа**

## Bezkefový bezdrôtový rázový ťahovák

3211

### ÚVOD

- Tento nástroj je určený na ťahovanie a uvoľňovanie skrutiek
  - Skontrolujte, či balenie obsahuje všetky diely podľa obrázku ②
  - Ak sú niektoré súčasti poškodené, alebo chýbajú, obráťte sa na vášho predajcu
- Prečítajte si a odložte tento návod na obsluhu ③
  - **Zvláštnu pozornosť venujte bezpečnostným pokynom a upozorneniam; nedodržanie týchto pokynov môže spôsobiť vážne zranenie**

### TECHNICKÉ ÚDAJE ①

Max. krútiaci moment tvrdé ukončenie skrutkovania podľa ISO 5393 : 250Nm

### ČASTI NÁSTROJA ②

- A Prepínač zapnúť/vypnúť a regulácia rýchlosti
- B Prepínač na zmenu smeru otáčania
- C Zamykacia objímka
- D Vetracie štrbiny
- E Tlačidlo rýchlosti
- F LED svetlo
- G Indikátor nabitia akumulátora
- H 50mm zavádzací hrot

### BEZPEČNOSŤ

#### VŠEOBECNÉ BEZPEČNOSTNÉ UPOZORNENIA TYKAJÚCE SA ELEKTRICKÉHO NÁRADIA

**⚠ VÝSTRAHA** Prečítajte si všetky bezpečnostné výstrahy, pokyny, ilustrácie a technické údaje, ktoré sú dodané s týmto elektrickým nástrojom. Nedodržanie všetkých nižšie uvedených pokynov môže viesť k poraneniu elektrickým prúdom, požiaru a/alebo vážnemu poraneniu.

**Všetky upozornenia a pokyny si odložte na ďalšie použitie.**

Pojem „elektrické náradie“ používaný v nasledujúcom texte sa vzťahuje na ručné elektrické náradie napájané zo siete (s prírodnou šnúrou) a na ručné elektrické náradie napájané akumulátorovou batériou (bez prírodnej šnúry).

#### 1) BEZPEČNOSŤ NA PRACOVISKU

- a) **Udržiavajte svoje pracovisko čisté a upratané.** Neporiadok na pracovisku alebo neosvetlené časti pracoviska môžu viesť k úrazom.
- b) **Nepracujte elektrickým náradím v prostredí ohrozenom výbuchom, v ktorom sa nachádzajú horľavé kvapaliny, plyny alebo prach.** Elektrické náradie produkuje iskry, ktoré môžu prach alebo pary zapáliť.
- c) **Deti a iné osoby udržiavajte počas práce od ručného elektrického náradia v dostatočnej**

**vzdialenosti.** V prípade odpútania Vašej pozornosti by ste mohli stratiť kontrolu nad náradím.

#### 2) ELEKTRICKÁ BEZPEČNOSŤ

- a) **Zástrčka prírodnej šnúry sa musí hodiť do napájacej zásuvky. Zástrčka sa v žiadnom prípade nesmie meniť. Pri uzemnených spotrebičoch nepoužívajte spolu s nimi žiadne adaptéry.** Nezmenená zástrčka a vhodná zásuvka znižujú riziko zásahu elektrickým prúdom.
  - b) **Vyhýbajte sa telesnému kontaktu s povrchovými plochami uzemnených spotrebičov, ako sú elektrické rúry, vyhrievacie telesá, sporáky a chladničky.** Keď je Vaše telo uzemnené, riziko zásahu elektrickým prúdom je vyššie.
  - c) **Chráňte ručné elektrické náradie pred dažďom a vlhkom.** Vniknutie vody do ručného elektrického náradia zvyšuje riziko zásahu elektrickým prúdom.
  - d) **Nepoužívajte prírodnú šnúru na prenášanie náradia, na jeho vešanie, ani za ňu nevyťahujte zástrčku zo zásuvky. Prírodnú šnúru chráňte pred horúčavou, olejom, ostrými hranami alebo pohybujúcimi sa časťami náradia.** Poškodené alebo zauzlené šnúry zvyšujú riziko zásahu elektrickým prúdom.
  - e) **Ak pracujete s ručným elektrickým náradím vonku, používajte len také predĺžovacie šnúry, ktoré sú schválené pre používanie vo vonkajších priestoroch.** Použitie predĺžovacej šnúry určenej do vonkajšieho prostredia znižuje riziko zásahu elektrickým prúdom.
  - f) **Ak sa nedá vyhnúť použitiu ručného elektrického náradia vo vlhkom prostredí, použite prerušovač uzemňovacieho obvodu.** Použitie prerušovača uzemňovacieho obvodu znižuje riziko zásahu elektrickým prúdom.
- #### 3) BEZPEČNOSŤ OSÔB
- a) **Buďte pozorní, dávajte pozor na to, čo robíte a k práci s elektrickým náradím pristupujte rozumne. Nepoužívajte elektrické náradie, keď ste unavení alebo keď ste pod vplyvom drog, alkoholu alebo liekov.** Chvíľa nepozornosti pri používaní náradia môže viesť k vážnym poraneniam.
  - b) **Noste osobné ochranné pomôcky, ochranný odev a vždy majte nasadené ochranné okuliare.** Nosenie pracovného odevu a používanie ochranných pomôcok ako ochrannej dýchacej masky, bezpečnostných protišmykových topánok, prilby alebo chrániča sluchu, podľa druhu elektrického náradia, znižuje riziko poranenia.
  - c) **Vyhýbajte sa neúmyselnému uvedeniu ručného elektrického náradia do činnosti. Pred zasunutím zástrčky do zásuvky a/alebo pred pripojením akumulátora, pred chytením alebo prenášaním ručného elektrického náradia sa vždy presvedčte sa, či je ručné elektrické náradie vypnuté.** Ak budete mať pri prenášaní ručného elektrického náradia prst na vypínači, alebo ak ručné elektrické náradie pripojíte na elektrickú sieť zapnutú, môže to mať za následok nehodu.
  - d) **Skôr ako ručné elektrické náradie zapnete, odstráňte nastavovacie a montážne nástroje.** Nástroj alebo kľúč, ktorý sa nachádza v pohyblivej časti náradia, môže spôsobiť poranenie.
  - e) **Nepreceňujte sa. Zabezpečte si pevný postoj a**

- neprestajne udržiavajte rovnováhu.** Takto budete môcť ručné elektrické náradie v neočakávaných situáciách lepšie kontrolovať.
- f) **Pri práci noste vhodný pracovný odev. Nenoste široké odevy a nemajte na sebe šperky. Vyvarujte sa toho, aby sa vaše vlasy a odev dostali do blízkosti pohyblivých častí.** Voľný odev, dlhé vlasy alebo šperky môžu byť zachytené rotujúcimi časťami ručného elektrického náradia.
- g) **Ak možno namontovať zariadenie na odsávanie alebo zachytávanie prachu, presvedčíte sa, či je pripojené a správne používané.** Používanie odsávacieho zariadenia a zariadenia na zachytávanie prachu znižuje riziko ohrozenia zdravia prachom.
- h) **Nepodliehajte falošnému pocitu istoty získanej z častého používania náradia a nekonajte v rozpore s princípmi bezpečného používania náradia.** Nepozorná práca môže v priebehu zlomkov sekundy viesť k ťažkému poraneniu.
- 4) STAROSTLIVÉ ZAOBCHÁDZANIE S ELEKTRICKÝM NÁRADÍM A JEHO POUŽÍVANIE**
- a) **Náradie nepreťažujte. Pre svoju prácu používajte určené elektrické náradie.** Pomocou vhodného ručného elektrického náradia budete môcť v uvedenom rozsahu výkonu pracovať lepšie a bezpečnejšie.
- b) **Nepoužívajte žiadne ručné elektrické náradie, ktoré má pokazený vypínač.** Ručné elektrické náradie, ktoré sa už nedá zapínať alebo vypínať, je nebezpečné a treba ho dať opraviť.
- c) **Skôr ako začnete náradie nastavovať alebo prestavovať, vymieňajte príslušenstvo alebo ako odložíte náradie, vždy vyťahnite koncovku sieťovej šnúry zo zásuvky a/alebo vyberte akumulátor, ak sa dá vybrať.** Toto preventívne opatrenie zabraňuje neúmyselnému spusteniu ručného elektrického náradia.
- d) **Nepoužívané ručné elektrické náradie uschovávajú mimo dosahu detí. Nedopusťte, aby ručné elektrické náradie používali osoby, ktoré s ním nie sú dôkladne oboznámené, alebo ktoré si neprečítali tento Návod na používanie.** Ak ručné elektrické náradie používajú neskúsené osoby, stáva sa nebezpečným nástrojom.
- e) **Ručné elektrické náradie a príslušenstvo starostlivo ošetrujte. Skontrolujte, či pohyblivé súčiastky náradia bezchybne fungujú a neblokujú a či nie sú zlomené alebo poškodené niektoré súčiastky, ktoré by mohli negatívne ovplyvniť fungovanie ručného elektrického náradia. Pred použitím ručného elektrického náradia dajte poškodené súčiastky opraviť.** Nejedna úrara bol spôsobená zle udržiavaným náradím.
- f) **Používané nástroje udržiavajte ostré a čisté.** Starostlivo ošetrované nástroje s ostrými reznými hranami sa menej často zablokujú a ich vedenie je podstatne ľahšie.
- g) **Používajte ručné elektrické náradie, príslušenstvo, pracovné nástroje a pod. podľa týchto pokynov. Zohľadnite pritom konkrétne pracovné podmienky a činnosť, ktorú máte vykonať.** Používanie ručného elektrického náradia na iné ako určené účely môže viesť k nebezpečným situáciám.
- h) **Rukoväti a úchopové povrchy udržiajte suché, čisté a bez oleja alebo mazacieho tuku.** Šmykľavé rukoväti a úchopové povrchy neumožňujú bezpečnú manipuláciu

a ovládanie náradia v neočakávaných situáciách.

- 5) STAROSTLIVÉ ZAOBCHÁDZANIE S ELEKTRICKÝM NÁRADÍM NAPÁJANÝM AKUMULÁTOROM A JEHO POUŽÍVANIE**
- a) **Akumulátory nabíjajte len v takých nabíjačkách, ktoré odporúča výrobca.** Ak nabíjate nabíjačkou určenou pre určitý druh akumulátorov iné akumulátory, hrozí nebezpečenstvo požiaru.
- b) **Do ručného elektrického náradia používajte len určené akumulátory.** Používanie iných akumulátorov môže mať za následok poranenie, alebo môže spôsobiť vznik požiaru.
- c) **Keď akumulátor nepoužívate, zabezpečte, aby sa nemohol dostať do styku s kancelárskymi sponami, mincami, kľúčmi, klincami, skrútkami alebo inými drobnými predmetmi, ktoré by mohli spôsobiť premostenie kontaktov.** Skrat medzi kontaktmi akumulátora môže spôsobiť popáleniny alebo požiar.
- d) **Ak sa akumulátor používa nevhodne, môže z neho unikáť kvapalina. Vyhybajte sa kontaktu s ňou. V prípade náhodného kontaktu umyte postihnuté miesto vodou. Ak sa dostane akumulátorová kvapalina do očí, vyhľadajte okrem toho aj lekársku pomoc.** Vytekajúca kvapalina môže spôsobiť podráždenie pokožky alebo popáleniny.
- e) **Nepoužívajte poškodený alebo upravený akumulátor alebo náradie.** Poškodené alebo upravené akumulátory môžu neočakávane reagovať a spôsobiť požiar, výbuch alebo zranenie.
- f) **Akumulátory alebo náradie nevhádzajte do ohňa alebo nevystavujte nadmerným teplotám.** Vystavenie pôsobeniu ohňa alebo teploty nad 130°C môže spôsobiť výbuch.
- g) **Dodržujte pokyny na nabíjanie a akumulátory alebo náradie nenabíjajte mimo teplotného rozsahu uvedeného v pokynoch.** Nesprávne nabíjanie alebo teploty mimo špecifikovaného rozsahu môžu poškodiť akumulátor a zvýšiť riziko požiaru.
- 6) SERVIS**
- a) **Ručné elektrické náradie zverte do opravy len kvalifikovanému personálu a používajte len originálne náhradné súčiastky.** Tým sa zabezpečí zachovanie bezpečnosti ručného elektrického náradia.
- b) **Nikdy neopravujte poškodené akumulátory.** Akumulátory môže opravovať len výrobca alebo autorizovaný servis.

#### **BEZPEČNOSTNÉ POKYNY PRE AKUMULÁTOROVÝ RÁZOVÝ SKRUTKOVÁČ**

- **Elektrické náradie držte za izolované plochy rukoväti pri vykonávaní takej práce, pri ktorej by mohol nástroj natrafiť na skryté elektrické vedenia (kontakt uťahovača s vedením, ktoré je pod napätím, môže spôsobiť, že aj kovové súčiastky náradia sa dostanú pod napätie, čo môže spôsobiť zásah operátora elektrickým prúdom)**

#### **VŠEOBECNE**

- Prach z materiálu, akým je náter obsahujúci olovo, niektoré druhy dreva, minerály a kovy môže byť škodlivý (styk alebo nadýchanie prachu môže spôsobiť alergické reakcie a/alebo respiračné ochorenia obsluhy a okolostojacich osôb); **používajte ochrannú masku**

### tváre a pracujte so zariadením na odsávanie prachu, ak je takéto zariadenie možné pripojiť

- Určité druhy prachu sú klasifikované ako karcinogénne (akým dubový a bukový prach), a to hlavne v spojení s prísadami pre úpravu dreva; **používajte ochrannú masku tváre a pracujte so zariadením na odsávanie prachu, ak je takéto zariadenie možné pripojiť**
- Dodržujte stanovené nariadenia pre prácu v prašnom prostredí
- **Neobrábajte materiál, ktorý obsahuje azbest** (azbest sa považuje za rakovinotvorný materiál)
- Zabezpečte, aby prepínač B ② bol v strednej (uzamknutej) polohe skôr ako budete nástroje nastavovať alebo meniť príslušenstvo ako aj pred nesením alebo každým odložením nástroja

### PRÍSLUŠENSTVO

- SKIL zabezpečí hladký chod nástroja len ak sa používa pôvodné príslušenstvo
- Používajte iba príslušenstvo, u ktorého hodnota prípustných obrátok zodpovedá minimálne najvyšším obrátkam náradia

### PREB POUŽITÍM

- Zabráňte poškodeniu náradia skrutkami, klincami a inými kovovými predmetmi v obrobru; zoberte ich dole prv než začnete pracovať
- **Zaistíte obrábaný diel** (obrábaný diel uchytýny pomocou upínacích zariadení alebo vo zveráku je oveľa bezpečnejší kým v ruke)
- **Na vyhľadanie skrytých elektrických vedení, plynových a vodovodných potrubí použite vhodné hľadacie prístroje, alebo sa spojte s príslušným dodávateľom** (kontakt s elektrickým vedením môže mať za následok vznik požiaru alebo spôsobiť zásah elektrickým prúdom; poškodenie plynového potrubia môže spôsobiť výbuch; prevrtanie vodovodného potrubia spôsobí vecné škody, alebo môže spôsobiť zásah elektrickým prúdom)

### BATÉRIÍ

- **Dodaná batéria je prípadne čiastočne nabitá** (na zaručenie úplnej kapacity batérie ju pred prvým používaním nástroja úplne nabite v nabíjačke)
- **S týmto nástrojom používajte len nasledujúce batérie a nabíjačky**
  - Batéria SKIL: BR1\*31\*\*\*\*
  - Nabíjačka SKIL: CR1\*31\*\*\*\*
- Nepoužívajte batériu, keď je poškodená; mala by sa okamžite vymeniť
- Batériu nerozoberajte
- Nástroj ani batériu nevystavujte dažďu
- Povolená teplota okolia (nástroj/nabíjačka/akumulátor):
  - pri nabíjaní 4...40°C
  - pri prevádzke -20...+50°C
  - pri skladovaní -20...+50°C

### VYSVETLENIE SYMBOLOV UMIESŤNENÝCH NA NÁSTROJI/AKUMULÁTORE

- ③ Pred použitím si prečítajte návod na obsluhu
- ④ Batérie po vhození do ohňa vybuchnú a preto batériu zo žiadneho dôvodu do ohňa nevhadzujte
- ⑤ Nástroj, nabíjačku a batériu skladujte na miestach, kde teplota neprekročí 50°C
- ⑥ Nevyhadzujte elektrické náradie a batérie do komunálneho odpadu

## POUŽITIE

- Kombinovaný prepínač pre zapínanie/vypínanie a reguláciu rýchlosti A ⑦
- rýchlosť regulujte neprerušene od 0 do maxima tým, že vyvíjate menší alebo väčší tlak na spínač A ⑧
- Nabíjanie batérie
- ! **prečítajte si bezpečnostné výstrahy a pokyny dodané s nabíjačkou**
- Vybratie/vloženie batérie ⑨
- Indikátor nabitia akumulátora ⑨
- Stlačením tlačidla indikátora úrovne nabitia batérie G zobrazíte aktuálnu úroveň nabitia batérie ⑨ 1
- ! **Keď po stlačení tlačidla G ⑨ b začne blikať indikátor najnižšej úrovne nabitia batérie, znamená to, že batéria je prázdna**
- ! **Keď začne blikať indikátor úrovne nabitia batérie 2 po stlačení tlačidla G ⑨ c, znamená to, že batéria nemá povolený rozsah prevádzkových teplôt**
- Ochrana batérie
- Nástroj sa náhle vypína alebo sa nedá zapnúť v prípade, že
  - **záťaž je príliš vysoká** --> odstráňte záťaž a reštartujte ho
  - **batéria nemá povolený rozsah prevádzkových teplôt od -20 do +50 °C** --> indikátor úrovne nabitia batérie 2 začne po stlačení tlačidla G ⑨ c blikať; počkajte, kým teplota batérie znova neklesne do povoleného prevádzkového rozsahu
  - **batéria je takmer vybitá (v záujme zaistenia ochrany pred hlbokým vybitím)** --> batéria ukazuje nízku úroveň nabitia alebo indikátor nízkej úrovne nabitia batérie ⑨ b po stlačení tlačidla G blíkajú; batériu nabite
- ! **potom ako sa nástroj automaticky vypne, nestláčajte tlačidlo zapnúť/vypnúť, môže sa poškodiť batéria**
- LED svetlo ⑩
- LED svetlo sa automaticky rozsvieti pri stlačení vypínača
- ! **keď LED svetlo začne blikať, aktivuje sa ochrana akumulátora (pozri vyššie)**
- Inštalácia a odstránenie hrotov
  - na inštaláciu hrotu potiahnite zaistovacie puzdro C dopredu, vložte hrot do držiaka hrotu a uvoľnením zaistovacieho puzdra C hrot zaistíte. (⑪ a ⑪ b ⑪ c)
- ! **vytiahnite hrot dopredu, aby ste skontrolovali, či je zablokovaný (⑪ d)**
- ak chcete odstrániť hrot, vytiahnite zaistovacie puzdro C dopredu
- ! **používajte len hroty s guľôčkovou západkou, ostatné hroty je možné používať s univerzálnym držiakom hrotov s guľôčkovou západkou**
- ! **nepoužívajte hroty s poškodenou stopkou**
- Zmena smeru otáčania ⑫
- ak nie je správne nastavená v polohe vľavo/vpravo, spínač A ② sa nedá aktivovať
- ! **zmeňte smer otáčania len keď je nástroj úplne nečinný**
- Výber režimu ⑬
- stlačením tlačidla rýchlosti E vyberte požadovaný režim uťahovania alebo uvoľňovania, keď je náradie nastavené na otáčanie dopredu alebo dozadu:
- Režim nízkej rýchlosti (L) ⑬ a**
- uťahovanie a uvoľňovanie pri menšej sile a nižšej rýchlosti



- pre menšie skrutky

#### Režim vysokej rýchlosti (H) ⑬

- uťahovanie a uvoľňovanie vysokým krútiacim momentom a pri vysokej rýchlosti
- pre veľké skrutky a závit

#### Režim ovládania (Šípka) ⑬

- pomalý štart na lepšie zapustenie skrutky do dreva
- automatické zvyšovanie rýchlosti po zapustení skrutky
- pre dlhé skrutky, najmä skrutky PHILIPS/POZIDRIV

**! režim ovládania je dostupný iba pri rotácii smerom dopredu; pri obrátenej rotácii sa používa stredná rýchlosť**

**! režimy možno zmeniť až po miernom stlačení vypínača (aktivujú sa zelené LED diódy) a až keď bude nástroj úplne zastavený**

- Držanie a vedenie nástroja ⑭

**! počas práce vždy držte nástroj v oblasti sivého držiadla (iel)**

- vetracie štrbiny D ② udržiajte nezakryté
- na nástroje príliš netlačte; nechajte nástroje robiť prácu za Vás

## RADA NA POUŽITIE

- Používajte vhodné hroty
- Pri zaťahovaní skrutky v blízkosti rezu alebo na hrane dreva by sa mala predvrtáť diera, aby sa zabránilo prasknutiu dreva
- Pri skrutkovaní do tvrdého dreva predvrtajte otvor
- Pri uťahovaní skrutky nedotahujte nadmerne. Sila rázového uťahovača môže zlomiť upevňovací prvok. Držte nástroj zarovnaný so skrutkou, aby ste predišli poškodeniu hlavy upevňovacieho prvku.
- Krútiaci moment závisí od trvania rázu. Maximálny krútiaci moment sa dosiahne po trvaní rázu 6-10 sekúnd.  
**! vždy skontrolujte uťahovací moment pomocou momentomeru**
- Pre optimálne použitie nástroja je potrebný stály tlak na skrutku, najmä pri odstraňovaní upevňovacieho prvku.
- Ďalšie informácie nájdete na adrese [www.skil.com](http://www.skil.com)

## ÚDRŽBA / SERVIS

- Nástroj neustále udržiajte čistý (najmä vetracie štrbiny D ②)  
**! pred čistením vyberte akumulátor z nástroja**
- Ak by nástroj napriek starostlivej výrobe a kontrole predsa len prestal niekedy fungovať, treba dať opravu vykonať autorizovanej servisnej opravovni elektrického náradia SKIL
  - pošlite nástroj **bez rozmontovania** spolu s dôkazom o kúpe; vášmu dilerovi alebo do najbližšieho servisného strediska SKIL (zoznam adries servisných stredísk a servisný diagram nástroja sú uvedené na [www.skil.com](http://www.skil.com))
- Uvedomte si, že poškodenie spôsobené preťažením alebo nesprávnym zaobchádzaním bude zo záruky vylúčené (záručné podmienky spoločnosti SKIL nájdete na stránke [www.skil.com](http://www.skil.com) alebo si ich vyžiadať u svojho predajcu)

## ŽIVOTNÉ PROSTREDIE

- **Elektrické náradie, batérie, príslušenstvo a balenia nevyhadzujte do komunálneho odpadu** (len pre štáty EÚ)

- podľa európskej smernice 2012/19/EG o nakladaní s použitými elektrickými a elektronickými zariadeniami a zodpovedajúcich ustanovení právnych predpisov jednotlivých krajín sa použité elektrické náradie musí zbierať oddelene od ostatného odpadu a podrobiť ekologicky šetrnej recyklácii

- pripomenie vám to symbol ⑥, keď ju bude treba likvidovať

**! pred likvidáciou ochráňte vývody batérie hrubou páskou, aby ste zabránili skratu**

## HLUK / VIBRÁCIE

- Hladina akustického tlaku nameraná v súlade s normou EN 62841 je 78 dB(A) a hladina akustického výkonu je 86 dB(A) (neistota K = 3 dB) a vibrácie <math>2,5 \text{ m/s}^2</math> (triaxový vektorový súčet; neistota K = 1,5 m/s<sup>2</sup>)
- Hladina emisií od vibrácií bola nameraná v súlade s normalizovaným testom uvedeným v norme EN 62841; môže sa používať na vzájomné porovnávanie náradí a na predbežné posúdenie vystavenia účinkom vibrácií pri používaní náradia pre uvedené aplikácie
  - používanie náradia na rôzne aplikácie, alebo v spojení s rôznymi alebo nedostatočne udržiavanými doplnkami môže značne **zvýšiť** úroveň vystavenia
  - časové doby počas ktorých je je náradie vypnuté alebo počas ktorých náradie beží ale v skutočnosti nevykonáva prácu môžu značne **znižiť** úroveň vystavenia

**! chráňte sa pred účinkami vibrácií tak, že budete náradie a jeho príslušenstvo správne udržiavať, tak že nebudete pracovať so studenými rukami a tak že si svoje pracovné postupy správne zorganizujete**

HR

## Bežični udarní odvíjač bez četkica

3211

### UVOD

- Ovak alat namijenjen je zavrtanju i otpuštanju vijaka i svornjaka
  - Proverite sadrži li pakiranje sve dijelove kako je prikazano na crtežu ②
  - Ako dijelovi nedostaju ili ako su oštećeni, obratite se svom dobavljaču
- Pažljivo pročítajte i sačuvajte ove upute za upotrebu ③
  - **Posebnu pozornost obratite na sigurnosne napomene i upozorenja. Zanemarivanje sigurnosnih napomena i upozorenja može rezultirati teškim ozljedama**

### TEHNIČKI PODACI ①

Max. zakretni moment za mekši slučaj uvijanja prema ISO 5393 : 250Nm

### DIJELOVI ALATA ②

- A Prekidač za uključivanje/isključivanje i za kontrolu brzine
- B Prekidač za promjenu smjera rotacije
- C Sigurnosni prsten
- D Otvori za strujanje zraka

- E Gumb brzine
- F LED svjetlo
- G Pokazivač stanja napunjenosti baterije
- H Nastavak za pogon od 50 mm

## SIGURNOST

### OPĆA SIGURNOSNA UPOZORENJA ZA ELEKTRIČNE ALATE

**⚠ UPOZORENJE** Pročitajte sva sigurnosna upozorenja, upute, ilustracije i specifikacije isporučene s ovim električnim alatom. Zbog nepridržavanja svih uputa koje su navedene u nastavku može doći do nastanka strujnog udara, požara i/ili teške ozljede.

**Sva upozorenja i upute sačuvajte kao referencu za buduće upotrebe.**

U daljnjem tekstu korišten pojam "električni alat" odnosi se na električne alate s priključkom na električnu mrežu (s mrežnim kabelom) i na električne alate s napajanjem iz aku baterije (bez mrežnog kabela).

#### 1) SIGURNOST NA RADNOM MJESTU

- a) **Vaše radno područje održavajte čisto i uredno.** Nered ili neosvijetljeno radno područje mogu doći do nezgoda.
- b) **S uređajem ne radite u okolini ugroženoj eksplozijom, u kojoj se nalaze zapaljive tekućine, plinovi ili prašina.** Električni alati proizvode iskre koje mogu zapaliti prašinu ili pare.
- c) **Djecu i ostale osobe držite dalje tijekom korištenja električnog alata.** Ako bi skrenuli pozornost sa posla mogli bi izgubiti kontrolu nad uređajem.

#### 2) ELEKTRIČNA SIGURNOST

- a) **Priključni utikač uređaja treba odgovarati utičnici.** Na utikaču se ni u kojem slučaju ne smiju izvoditi izmjene. Ne koristite adapterske utikače zajedno sa uređajima koji su zaštićeni uzemljenjem. Originalni utikač i odgovarajuće utičnice smanjuju opasnost od električnog udara.
- b) **Izbjegavajte dodir tijela s uzemljenim površinama kao što su cijevi, centralno grijanje, štednjaci i hladnjaci.** Postoji povećana opasnost od električnog udara ako je vaše tijelo uzemljeno.
- c) **Držite uređaj dalje od kiše ili vlage.** Prodiranje vode u električni uređaj povećava opasnost od električnog udara.
- d) **Priključni kabel ne koristite za nošenje, vješanje ili za izvlačenje utikača iz utičnice.** Držite kabel dalje od izvora topline, ulja, oštih rubova ili pomičnih dijelova uređaja. Oštećen ili usukan kabel povećava opasnost od električnog udara.
- e) **Ako s električnim uređajem radite na otvorenom, koristite samo produžni kabel odobren za uporabu na otvorenom.** Primjena produžnog kabela prikladnog za uporabu na otvorenom smanjuje opasnost od električnog udara.
- f) **Ako se ne može izbjeći uporaba električnog alata u vlažnoj okolini, upotrijebite sigurnosna sklopka za propuštanje u zemlju.** Upotrebom sigurnosne sklopke za propuštanje u zemlju smanjuje se opasnost od

električnog udara.

#### 3) SIGURNOST LJUDI

- a) **Budite oprezni, pazite što činite i postupajte razumno kod rada s električnim alatom.** Ne koristite uređaj ako ste umorni ili pod utjecajem opojnih sredstava, alkohola ili lijekova. Trenutak nepažnje kod uporabe uređaja može doći do ozbiljnih ozljeda.
  - b) **Nosite sredstva osobne zaštite i uvijek zaštitne naočale.** Nošenje sredstava osobne zaštite, kao što je zaštitna maska, sigurnosne cipele koje ne klize, zaštitne kacige ili štitnika za sluh, ovisno od vrste i primjene električnog alata, smanjuje opasnost od nezgoda.
  - c) **Izbjegavajte nehotično puštanje u rad. Prije nego što ćete utaknuti utikač u utičnicu i/ili staviti akubateriju, provjerite je li električni alat isključen.** Ako kod nošenja električnog alata imate prst na prekidaču ili se uključen uređaj priključi na električno napajanje, to može dovesti do nezgoda.
  - d) **Prije nego što uređaj uključite, uklonite alate za podešavanje ili vijčane ključeve.** Alat ili ključ koji se nalazi u rotirajućem dijelu uređaja može doći do nezgoda.
  - e) **Ne precjenjujte svoje sposobnosti. Zauzmite siguran i stabilan položaj tijela i držite u svakom trenutku ravnotežu.** Na taj način možete uređaj bolje kontrolirati u neočekivanim situacijama.
  - f) **Nosite prikladnu odjeću. Ne nosite široku odjeću ili nakit. Kosu i odjeću držite dalje od pomičnih dijelova.** Široku odjeću, dugu kosu ili nakit mogu zahvatiti pomični dijelovi.
  - g) **Ako se mogu montirati naprave za usisavanje i hvatanje prašine, provjerite da li su iste priključene i da li se pravilno koriste.** Primjena naprave za usisavanje može smanjiti ugroženost od prašine.
  - h) **Nemojte postati previše bezbrižni i zanemariti sigurnosne upute zato što alat često upotrebljavate i smatrate da ste ga dobro upoznali.** Samo jedan trenutak nepažnje dovoljan je za nastanak ozbiljnih ozljeda.
- #### 4) BRIŽLJIVA UPORABA ELEKTRIČNIH ALATA
- a) **Ne preopterećujte uređaj. Koristite za vaše radove za to predviđen električni alat.** S odgovarajućim električnim alatom radit ćete bolje i sigurnije, u navedenom području učinka.
  - b) **Ne koristite električni alat čiji je prekidač neispravan.** Električni alat koji se više ne može uključiti ili isključiti, opasan je i treba se popraviti.
  - c) **Alat prije podešavanja, izmjene pribora i odlaganja isključite iz izvora napajanja i/ili izvadite komplet baterije, ako se vadi iz uređaja.** Ovim mjerama opreza izbjeći će se nehotično uključivanje električnog alata.
  - d) **Nekorištene električne alate spremite izvan doseg djece. Ne dopustite da uređaj koriste osobe koje s njim nisu upoznate ili koje nisu pročitale upute za uporabu.** Električni alati su opasni ako ih koriste neiskusne osobe.
  - e) **Redovno održavajte električne alate i pribor. Kontrolirajte da li pomični dijelovi uređaja besprijekorno rade i da nisu zaglavljani, te da li su dijelovi polomljeni ili tako oštećeni da negativno djeluju na funkciju uređaja. Popravite oštećene dijelove prije uporabe uređaja.** Mnoge nezgode imaju svoj uzrok u loše održavanim uređajima.
  - f) **Rezne alate održavajte oštrom i čistim.** Pažljivo

održavani rezni alati s oštrim oštricama neće se zaglaviti i lakši su za vođenje.

- g) **Koristite električne alate, pribor, radne alate, itd., prema navedenim uputama. Pri tome uzmite u obzir radne uvjete i radove koje se izvode.** Uporaba električnih alata za neke druge primjene različite od predviđenih, može doći do opasnih situacija.
- h) **Drške i zahvatne površine održavajte suhima, čistima i pazite da na njih ne dospiju ulje ili mast.** Skliske drške i zahvatne površine onemogućuju sigurno rukovanje i alat se teško kontrolira u neočekivanim situacijama.
- 5) **BRIŽLJIVA UPORABA AKUMULATORSKIH UREĐAJA**
  - a) **Aku-baterije punite samo s punjačima koje preporučuje proizvođač.** Punjač koji je prikladan za jednu određenu vrstu aku-baterije, postoji opasnost od požara ako bi se koristio s nekom drugom aku-baterijom.
  - b) **Koristite isključivo samo aku-baterije koje su za određene električne alate predviđene.** Uporaba neke druge aku-baterije može doći do ozljeda i opasnosti od požara.
  - c) **Nekorištenu aku-bateriju držite dalje od uredskih spajalica, kovanica, ključeva, čavala, vijaka ili drugih sitnih metalnih predmeta koji bi mogli prouzročiti premošćenje, kontaktata.** Kratki spoj između kontakata aku-baterije može doći do opekline ili do požara.
  - d) **Kod pogrešne primjene aku-baterije tekućina može iz nje isteći. Izbjegavajte dodir s ovom tekućinom. Kod slučajnog dodira s tekućinom, odmah s vodom isprati. Ako bi tekućina dospjela u oči, odmah zatražite liječničku pomoć.** Istekla tekućina može doći do nadražaja kože ili opekline.
  - e) **Ne upotrebljavajte oštećene ili izmijenjene kompletne baterija ni alate.** Oštećene ili izmijenjene baterije podložne su nepredvidivom ponašanju i mogu uzrokovati požar, eksploziju ili ozljede.
  - f) **Držite alat i komplet baterija dalje od vatre i visokih temperatura.** Izlaganje vatri ili temperaturi višoj od 130°C može uzrokovati eksploziju.
  - g) **Poštujte sve upute za punjenje i komplet baterija i alat ne punite pri temperaturama izvan vrijednosti koje su propisane i navedene u uputama.** Nepravilno punjenje ili punjenje pri temperaturama višim od propisanih može oštetiti bateriju i povećati opasnost od požara.
- 6) **SERVISIRANJE**
  - a) **Popravak uređaja prepustite samo kvalificiranom stručnom osoblju i samo s originalnim rezervnim dijelovima.** Na taj će se način postići održanje stalne sigurnosti uređaja.
  - b) **Nikada ne servisirajte oštećene kompletne baterija.** Servisiranje kompleta baterija smiju obavljati isključivo proizvođači i ovlašteni serviseri.

#### **SIGURNOSNE UPUTE ZA AKUMULATORNI UDARNI ODVIJAČ**

- Kada izvodite neku radnju gdje pričvršćivač može dotaknuti skriveno ožičenje, pridržavajte električni alat po izoliranim zahvatnim površinama (pričvršćivači u kontaktu sa žicom pod naponom mogu izložene metalne dijelove električnog alata također staviti pod napon, zbog čega rukovatelj može doživjeti strujni udar)

#### **OPĆENITO**

- Prašina od materijala kao što su boje koje sadrže olovo, neke vrste drveća, minerali i metal mogu biti opasne (dodir s prašinom ili njeno udisanje mogu prouzročiti alergične reakcije i/ili respiratorna oboljenja rukovatelja ili posmatrača); **nosite masku za zaštitu od prašine i radite s uređajem za ekstrakciju prašine ukoliko ga možete priključiti**
- Određene vrste prašine klasificiraju se kao karcinogenske (kao što su prašina hrastovine i bukovine), osobito u sudejstvu s aditivima za kondicioniranje drveta; **nosite masku za zaštitu od prašine i radite s uređajem za ekstrakciju prašine ukoliko ga možete priključiti**
- Nacionalni uvjeti za materijale s kojima želite raditi
- **Ne obrađujte materijal koji sadrži azbest** (azbest se smatra kancerogenim)
- Prilikom promjene pribora, prenošenja ili spremanja alata obavezno prekiđač B ② postaviti u srednju poziciju (zaključano)

#### **PRIBOR**

- SKIL može osigurati besprijekoran rad uređaja samo ako se koristi originalni pribor
- Upotrebljavajte pribor čija dopuštena brzina odgovara najvećoj brzini alata u praznom hodu

#### **PRIJE UPORABE**

- Izbjegavajte oštećenja od vijaka, čavala i sličnih predmeta na vašem izratku; prije početka rada ih izvadite
- **Osigurajte izradak** (izradak je sigurnije pričvršćen pomoću stezaljke ili škripa nego da ga držite rukom)
- **Koristite prikladne uređaje za traženje napona kako bi se pronašli skriveni napojni vodovi ili se savjetuje s lokalnim distributerom** (kontakt s električnim vodovima mogao bi doći do požara i električnog udara; oštećenje plinske cijevi moglo bi dovesti do eksplozije; probijanje vodovodne cijevi uzrokuje materijalne štete ili može uzrokovati električni udar)

#### **AKU-BATERIJE**

- **Ako je isporučena baterija, ona će biti djelomično napunjena** (da biste zajamčili potpuni kapacitet baterije, bateriju u potpunosti napunite punjačem prije prve uporabe električnog alata)
- **S ovim alatom rabite samo sljedeće baterije i punjače**
  - Baterija marke SKIL: BR1\*31\*\*\*\*
  - Punjač marke SKIL: CR1\*31\*\*\*\*
- Oštećenu bateriju ne koristiti dalje nego je odmah zamijeniti
- Ne rastavljajte bateriju
- Ne izlažite kiši alat/bateriju
- Dopuštena okolišna temperatura (uređaj/punjač/baterija):
  - kod punjenja 4...40°C
  - tijekom rada -20...+50°C
  - kod skladištenja -20...+50°C

#### **POJAŠNJE SIMBOLA NA UREĐAJU/BATERIJI**

- ③ Prije upotrebe pročitajte korisnički priručnik
- ④ U dodiru s vatrom baterije će eksplodirati, stoga ne spaljujte bateriju iz bilo kojih razloga
- ⑤ Uređaj/punjač/bateriju spremajte uvijek kod temperatura prostorije nižih od 50°C
- ⑥ Ne bacajte električne alate i baterij u kućni otpad

#### **POSLUŽIVANJE**

- Kombinirani prekiđač za uključivanje/isključivanje i

kontrolu brzine A ⑦

- većim ili manjim pritiskom na prekidač A ⑧, brzina se može bestupnjevito regulirati od nule do maksimalnog broja okretaja

- Punjenje aku-baterije

**! pročitate sigurnosna upozorenja i upute isporučene s punjačem**

- Uklanjanje/ugradnja baterije ②

- Pokazivač stanja napunjenosti baterije ⑨

- pritisnite gumb pokazivača razine napunjenosti baterije G radi prikaza aktualne razine napunjenosti baterije ⑨q

**! kada najniža razina baterije započne bljeskati nakon pritiska gumba G ⑨b, baterija je prazna**

**! kada 2 razine pokazivača baterije započnu bljeskati nakon pritiska gumba G ⑨c, baterija nije unutar dopuštenog radnog temperaturnog raspona**

- Zaštita baterije

Uređaj se iznenadno isključuje ili ne može uključiti, kada je

- **opterećenje previsoko** --> uklonite opterećenje i ponovno pokrenite

- **temperatura baterije nije unutar dopuštenog radnog temperaturnog raspona od -20 do +50 °C** --> 2 razine pokazivača razine baterije počinju bljeskati pri pritiskanju gumba G ⑨c; pričekajte dok se baterija ne vrati unutar dopuštenog radnog temperaturnog raspona

- **baterija je gotovo prazna (za zaštitu od potpunog pražnjenja)** --> niska razina baterije ili bljeskajuća niska razina baterije ⑨b pokazuje se putem pokazivača stanja napunjenosti baterije pri pritiskanju gumba G; napunite bateriju

**! nemojte dalje pritiskati prekidač za uključivanje/isključivanje nakon što se alat automatski isključio; time možete oštetiti bateriju**

- LED svjetlo ⑩

LED svjetlo automatski svijetli kada se aktivira prekidač za uključivanje/isključivanje

**! kada LED svjetlo počne treptati, aktivira se zaštita baterije (pogledajte prethodno)**

- Ugradnja i uklanjanje nastavaka

- za montažu nastavka povucite sigurnosni prsten C prema naprijed, umetnite nastavak u držač nastavka i otpustite sigurnosni prsten C da biste fiksirali nastavak. ①a ①b ①c

**! povucite nastavak naprijed kako biste provjerili je li fiksiran (①d)**

- ako želite ukloniti nastavak, povucite sigurnosni prsten C prema naprijed

**! koristite samo nastavke s kugličnim zaporom, drugi nastavci mogu se koristiti s univerzalnim držačem nastavka s kugličnim zaporom**

**! Nemojte upotrebljavati bitove oštećenog tijela.**

- Promjena smjera rotacije ⑫

- ako položaj lijevo/desno nije ispravno preskočio, prekidač A ② se ne može aktivirati

**! smjer rotacije mijenjati samo dok alat miruje**

- Odabir načina rada ⑬

- pritisnite gumb brzine E za odabir željenog načina zatezanja ili otpuštanja kada je alat postavljen na vrtnju prema naprijed ili nazad:

**Način male brzine (L) ⑬a**

- stezanje ili otpuštanje s manjom silom i pri maloj brzini  
- za manje odvijanje

**Način velike brzine (H) ⑬b**

- stezanje ili otpuštanje velikom silom i brzinom

- za velike vijke i svornjake

**Kontrolni način (strelica) ⑬c**

- polako počnite zabijati vijak u drvo

- automatski povećavajući brzinu kada zabijete vijak

- za duge vijke, osobito vijke PHILLIPS/POZIDRIV

**! kontrolni način moguć je samo uz okretanje prema naprijed; kod obrnutog okretanja upotrebljava se za srednju brzinu**

**! načini rada mogu se promijeniti jedino nakon što lagano pritisnete prekidač za uključivanje/isključivanje (aktiviraju se zelena(e) svjetleća(e) dioda(e)) i kada je alat u potpunosti zaustavljen**

- Držanje i vođenje uređaja ⑭

**! alat kod primjene, držati samo na sivo označenim područjima**

- otvore za strujanje zraka D ② držite nepokriveno

- ne djelujte prevelikom pritiskom na alat; ostavite alat da radi za vas

## SAVJETI ZA PRIMJENU

- Treba koristiti odgovarajuće bitove
- Kod uvijanja vijka na prednjem ili stražnjem dijelu nekog izratka od drva, treba se prethodno izbušiti rupa, kako bi se izbjeglo kаланje drva
- Pri uvrtanju vijaka u tvrdo drvo potrebno je prije toga izbušiti rupu.
- Prilikom zatezanja vijaka, nemojte prejako zategnuti vijak. Sila udarnog ključa može prelomiti vijak. Alat mora biti poravnat s vijkom kako ne biste došli do oštećenja glave vijka.
- Okretni moment ovisi o trajanju udara. Maksimalni okretni moment postiže se nakon 6 do 10 sekundi trajanja udara.  
**! uvijek provjerite moment zatezanja moment ključem**
- Kako bi upotreba alata bila optimalna, potrebno je primijeniti ravnomjeran pritisak na vijak, posebno pri uklanjanju vijka.
- Više informacija potražite na [www.skil.com](http://www.skil.com)


## ODRŽAVANJE / SERVISIRANJE

- Uvijek držite alat čistim (osobito otvore za provjetravanje D ②)  
**! bateriju uklonite iz alata prije čišćenja**
- Ako bi uređaj unatoč brižljivih postupaka izrade i ispitivanja ipak prestao raditi, popravak treba prepustiti ovlaštenom servisu za SKIL električne alate  
- uređaj treba **nerastavljeno** predati, zajedno s računom o kupnji u najbližu SKIL ugovornu servisnu radionicu (popise servisa, kao i oznake rezervnih dijelova uređaja možete naći na adresi [www.skil.com](http://www.skil.com))
- Imajte na umu kako jamstvo ne obuhvaća štete nastale zbog preopterećenja ili nepravilnog rukovanja alatom (za uvjete iz SKIL jamstva, posjetite [www.skil.com](http://www.skil.com) ili upitajte svog prodavača)

## ZAŠTITA OKOLIŠA

- **Električne alate, baterij, pribor i ambalažu ne**

**bacajte u kućni otpad** (samo za EU-države)

- prema Europskoj direktivi 2012/19/EG o staroj električnoj i elektroničkoj opremi i njenoj primjeni u skladu sa nacionalnim zakonom, istrošeni električni alati moraju se sakupljati odvojeno i odvesti u posebne pogone za reciklažu
- na to podsjeća simbol  kada se javi potreba za odlaganjem

**! prije nego što aku-bateriju zbrinete u otpad, zaštitite njene polove**

## BUKA / VIBRACIJA



- Mjerene u skladu s normom EN 62841, razina zvučnog tlaka ovoga alata je 78 dB(A), razina zvučne snage 86 dB(A) (nesigurnost K = 3 dB), a vibracija <math><2,5 \text{ m/s}^2</math> (troakosijalna vektorska suma; nesigurnost K = 1,5 m/s<sup>2</sup>)
  - Razina emitiranja vibracija izmjerena je sukladno normiranom testu danom u EN 62841; ona se može koristiti za usporedbu jedne alatke s drugom, te preliminarnu procjenu izloženosti vibracijama pri uporabi alatke za navedene namjene
    - uporaba ove alatke za druge namjene ili s drugim ili slabo održavanim nastavcima, može u značajnoj mjeri **uvećati** razinu izloženosti
    - vrijeme tokom kojega je alatka isključena, ili je uključena ali se njome ne radi, može značajno **umanjiti** razinu izloženosti
- ! zaštitite se od posljedica vibracija održavanjem alatke i njezinih nastavaka, održavanjem Vaših ruku toplima, te organiziranjem Vaših obrazaca rada**



## Bežični udarni odvijač bez četkica

3211

### UPUTSTVO

- Ovaj alat je namenjen za pritezanje i otpuštanje zavrtnjeva i šrafova
  - Proverite da li pakovanje sadrži sve delove kao što je ilustrovano na crtežu 
  - U slučaju da delovi nedostaju ili su oštećeni, kontaktirajte svog prodavca
- Pročitajte i sačuvajte ovo uputstvo za rukovanje 
  - **Posebno obratite pažnju na uputstva o bezbednosti i upozorenja; ukoliko ih ne sledite može da dođe do ozbiljnih povreda**

### TEHNIČKI PODACI

Max. obrtni moment tvrdji slučaj zavrtnja prema ISO 5393 : 250Nm


### ELEMENTI ALATA

- A Prekidač za uključivanje/isključivanje i kontrolu brzine
- B Prekidač za promenu smera rotacije
- C Stezna glava
- D Prorezi za hlađenje
- E Dugme brzine
- F LED svetlo
- G Indikator kapaciteta baterije

H 50 mm bit odvijača

## SIGURNOST

### OPŠTA SIGURNOSNA UPOZORENJA ZA ELEKTRIČNI ALAT

 **UPOZORENJE Pročitajte sva bezbednosna upozorenja, uputstva, ilustracije i specifikacije priložene uz ovaj električni alat.** Ukoliko se ne slede sva uputstva navedena u nastavku može doći do strujnog udara, požara i/ili ozbiljne povrede.

### Sačuvajte sva upozorenja i uputstva za buduću upotrebu.

Pojam upotrebljen u upozorenjima "električni alat" odnosi se na električne alate sa radom na mreži (sa mrežnim kablom) i na električne alate sa radom na akumulator (bez mrežnog kabla).

#### 1) SIGURNOST NA RADNOM MESTU

- Držite Vaše područje rada čisto i pospremljeno.** Nered ili neosvetljena radna područja mogu voditi nesrećama.
- Ne koristite električni alat tamo gde postoji opasnost od eksplozije kao npr. u prisustvu zapaljivih tečnosti, gasova ili prašine.** Električni alati proizvode varnice, koje mogu zapaliti prašinu ili isparenja.
- Za vreme korišćenja električnog alata držite podalje decu i druge osobe.** Kod skretanja možete izgubiti kontrolu nad alatom.

#### 2) ELEKTRIČNA SIGURNOST

- Utikaç električnog alata mora odgovarati utičnici. Nikada nemojte modifikovati utikač. Ne upotrebljavajte adaptore utikača sa uzemljenim električnim alatom.** Nemodifikovani utikači i odgovarajuće utičnice smanjuju rizik od električnog udara.
  - Izbegavajte telesni kontakt sa uzemljenim gornjim površinama, kao što su cevi, grejanja, šporeti i rashladni ormani.** Postoji povećani rizik od električnog udara, ako je Vaše telo uzemljeno.
  - Ne izlažite električni alat kiši ili vlažnim uslovima.** Prodor vode u električni alat povećava rizik od električnog udara.
  - Ne zloupotrebljavajte kabl. Nikada nemojte koristiti kabl za nošenje i vučenje električnog alata ili za izvlačenje iz utičnice. Držite kabl dalje od vreline, ulja, oštih ivica ili pokretnih delova.** Oštećeni ili umršeni kablovi povećavaju rizik električnog udara.
  - Ako sa nekim električnim alatom radite u prirodi, upotrebljavajte samo produžne kablove koji su dozvoljeni za spoljno područje.** Upotreba produžnog kabla pogodnog za spoljno područje smanjuje rizik od električnog udara.
  - Ako rad električnog alata ne može da se izbegne u vlažnoj okolini, koristite prekidač strujne zaštite pri kvaru.** Upotreba prekidača strujne zaštite pri kvaru smanjuje rizik od električnog udara.
- #### 3) SIGURNOST OSOBA
- Budite oprezni, pazite na to šta radite i razumno rukujte Vašim električnim alatom. Ne koristite**

- električni alat dok ste umorni ili pod uticajem narkotika, alkohola ili lekova.** Momenat nepažnje kod upotrebe električnog alata može rezultirati ozbiljnim povredama.
- b) **Nosite ličnu zaštitnu opremu i uvek zaštitne naočare.** Nošenje lične zaštitne opreme, kao maske za prašinu, sigurnosne cipele koje ne klizaju, zaštitni šlem ili zaštitu za sluh, zavisno od vrste i upotrebe električnog alata, smanjujete rizik od povreda.
  - c) **Sprečite nenamerno puštanje u rad. Pre priključivanja na struju i/ili na akumulatorsku bateriju, podizanja ili nošenja alata uverite se da je prekidač isključen.** Nošenje električnog alata sa prstom na prekidaču ili priključivanje na struju uključenog električnog alata vodi do nesreće.
  - d) **Uklonite bilo kakve ključeve za podešavanje ili ključeve za zavrtnjeve, pre nego što uključite električni alat.** Ostavljanje ključa za zavrtnjeve ili ključa prikačene na rotirajući deo električnog alata može rezultirati ličnom povredom.
  - e) **Ne zauzimajte neadekvatan položaj. Sve vreme držite ravnotežu i pravilan položaj nogu.** Ovo omogućava bolje upravljanje električnim alatom u neočekivanim situacijama.
  - f) **Nosite pogodno odelo. Ne nosite široko odelo ili nakit. Držite kosu i odelu dalje od pokretnih delova.** Opušteno odelo, nakit ili duža kosa mogu biti zahvaćeni od rotirajućih delova.
  - g) **Ako se mogu montirati uredjaji za usisavanje prašine i uredjaji za hvatanje prašine, uverite se da li su priključeni i ispravno koriste.** Upotreba usisavanja prašine može smanjiti opasnosti od prašine.
  - h) **Ne dozvolite da pouzdanje koje ste stekli čestom upotrebom alata utiče na to da postanete neoprezni i da zanemarite sigurnosne principe za upotrebu alata.** Neoprezno delovanje može prouzrokovati teške povrede u deliću sekunde.
- 4) BRIŽLJIVO OPHODJENJE I KORIŠĆENJE ELEKTRIČNIH ALATA**
- a) **Ne preopterećujte električni alat. Koristite električni alat koji odgovara Vašoj primeni.** Sa odgovarajućim električnim alatom radite bolje i sigurnije tempom za koji je projektovan.
  - b) **Ne upotrebljavajte električni alat, čiji je prekidač u kvaru.** Električni alat koji više ne može da se uključiti ili isključiti je opasan i mora da se popravi.
  - c) **Izvučite utikač iz utičnice i/ili izvadite akumulatorsku bateriju, ukoliko je to moguće, iz električnog alata pre nego što izvršite bilo kakva podešavanja, promenu pribora ili pre nego što uskladištite električni alat.** Takve preventivne sigurnosne mere smanjuju rizik od slučajnog pokretanja električnog alata.
  - d) **Čuvajte električne alate koje ne koristite izvan domašaja dece i ne dozvoljavajte osobama, koje nisu upoznate sa ovim električnim alatom ili sa ovim uputstvima, da rukuju električnim alatom.** U rukama neobučenih korisnika električni alati postaju opasni.
  - e) **Održavajte električni alat i pribore. Proverite da li su pokretni delovi u ravni i da li negde zapinju, da nije došlo do lomljenja delova i svako drugo stanje koje može uticati na rad električnog alata. Ukoliko je oštećen, odnesite električni alat na popravku pre korišćenja.** Mnoge nesreće su prouzrokovane lošim održavanjem električnih alata.
- f) **Držite alate za sečenje oštre i čiste.** Brižljivo negovani alati za sečenje sa oštrim sečivima manje slepljuju i lakše se vode.
  - g) **Upotrebljavajte električne alate, pribor, alate koji se umeću itd. prema ovim uputstvima. Obratite pažnju pritom na uputstva za rad i posao koji treba izvesti.** Upotreba električnih alata za druge od propisanih namena može voditi opasnim situacijama.
  - h) **Održavajte drške i prihvatne površine suvim, čistim i bez ostataka ulja ili masnoće.** Klizave drške ili prihvatne površine ne omogućavaju bezbedno rukovanje i upravljanje alatom u neočekivanim situacijama.
- 5) BRIŽLJIVO OPHODJENJE I KORIŠĆENJE APARATA SA AKUMULATOROM**
- a) **Punite akumulator samo u aparatima za punjenje koje propisuje proizvođač.** Za aparat za punjenje koji je pogodan za određenu vrstu akumulatora, postoji opasnost od požara, ako se upotrebljava sa drugim akumulatorom.
  - b) **Upotrebljavajte samo za to predviđene akumulatore u električnim alatima.** Upotreba drugih akumulatora može voditi povredama i opasnosti od požara.
  - c) **Držite ne korišćen akumulator podalje od kancelarijskih spajalica, novčića, ključeva, eksera, zavrtnja ili drugih malih metalnih predmeta koji mogu prouzrokovati premošćavanje kontakata.** Kratak spoj između kontakata akumulatora može imati za posledicu zagorevanje ili vatru.
  - d) **Kod pogrešne primene može izaći tečnost iz akumulatora; izbegvajte kontakt sa njom. Kod slučajnog kontakta isperite sa vodom. Ako tečnost dodje u dodir sa očima, potražite i lekarsku pomoć dodatno.** Tečnost akumulatora koja može izaći napolje može voditi nadražajima kože ili opekotinama.
  - e) **Ne koristite akumulatorsku bateriju ili alat koji je oštećen ili modifikovan.** Oštećeni ili modifikovani akumulatori se mogu ponasati nepredviđeno što može rezultirati požarom, eksplozijom ili povredom.
  - f) **Ne izlažite akumulatorsku bateriju ili alat vatri ili visokim temperaturama.** Izlaganje vatri ili temperaturama iznad 130°C može prouzrokovati eksploziju.
  - g) **Pridržavajte se svih uputstava u vezi sa punjenjem i ne punite akumulatorsku bateriju ili alat izvan temperaturnog opsega naznačenog u uputstvima.** Nepropisno punjenje ili punjenje na temperaturama izvan naznačenog opsega može oštetiti akumulator i povećati rizik od požara.
- 6) SERVISIRANJE**
- a) **Vaš električni alat dajte na servisiranje samo kvalifikovanom licu za popravku, koristeći pritom samo identične rezervne delove.** Ovo će osigurati očuvanje bezbednosti električnog alata.
  - b) **Nikada ne servisirajte oštećene akumulatorske baterije.** Servisiranje akumulatorskih baterija treba da vrši isključivo proizvođač ili ovlašćeni serviseri.

#### BEZBEDNOSNA UPUTSTVA ZA UDARNI ODVIJAC

- Hvatajte električni alat za izolovane hvataljke, ako izvodite radove, kod kojih sredstva za pričvršćivanje

**može da dodirne skrivene vodove struje** (sredstva za pričvršćivanje koja dođu u kontakt sa vodom koji provodi napon stavlja i metalne delove električnog alata pod napon, usled čega rukovalac može doživeti električni udar)

#### OPŠTA

- Prašina od materijala, kao što su boja koja sadrži olovo, neke vrste drveta, minerali i metal, može biti opasna (dodir ili udisanje prašine može prouzrokovati alergijske reakcije i/ili respiratorna oboljenja rukovaoca i lica u blizini); **nosite masku protiv prašine i radite uz uključeni uređaj za ekstrakciju prašine kada radite na mestima gde ju je moguće priključiti**
- Određene vrste prašine su klasifikovane kao kancerogene (kao što su prašina hrastovine i bukovine), posebno u sadejstvu sa aditivima za pripremu drveta; **nosite masku protiv prašine i radite uz uključeni uređaj za ekstrakciju prašine kada radite na mestima gde ju je moguće priključiti**
- Prati nacionalne propise vezane za prašinu koja se proizvodi prilikom rada na obrađivanim materijalima
- **Ne obradjujte nikakav materijal koji sadrži azbest** (azbest važi kao izazivač raka)
- Uverite se da je prekidač B ② u srednjoj poziciji (blokada) pre nego što počnete da podešavate alat , menjate pribor ili nosite alat

#### PRIBOR

- SKIL može priznati garanciju samo ukoliko je korišćen originalni pribor
- Koristite samo pribor čija je dozvoljena brzina u najmanju ruku jednaka najvećoj brzini pri praznom hodu električnog alata

#### PRE UPOTREBE

- Izbegavajte oštećenja od šrafova, eksera i drugih predmeta na vašem području rada; uklonite ih pre nego što započnete rad
- **Obezbedite radni predmet** (radni predmet stegnut pomoću stega ili nečeg sličnog je mnogo stabilniji neko kada se drži rukom)
- **Koristite odgovarajuće aparate za proveru dali se u zidu koji bušimo nalaze skrivene instalacije, ili za taj posao nađite odgovarajuće preduzeće** (kontakt sa električnim vodovima može izazvati požar ili električni udar; oštećenje gasovoda može izazvati eksploziju; probijanje cevi sa vodom uzrokuje štete ili može izazvati električni udar)

#### BATERIJA

- **Ako je baterija priložena, ona će biti delimično napunjena** (da biste obezbedili pun kapacitet baterije, bateriju napunite do kraja u punjaču baterije pre prvog korišćenja električnog alata)
- **Koristite samo sledeće baterije i punjače sa ovim alatom**
  - SKIL baterija: BR1\*31\*\*\*\*
  - SKIL punjač: CR1\*31\*\*\*\*
- Nemojte koristiti oštećenu bateriju; odmah je treba zameniti
- Nemojte da rastavljate bateriju
- Nemojte izlagati alat/bateriju kiši
- Dozvoljena ambijentalna temperatura (alat/punjač/bateriju):
  - prilikom punjenja 4...40°C
  - prilikom režima rada -20...+50°C
  - prilikom skladištenja -20...+50°C

#### OBJAŠNJENJE SIMBOLA NA ALATU/BATERIJA

- ③ Pročitajte uputstvo za korišćenje pre prve upotrebe
- ④ Baterije će eksplodirati ako se izlože vatri, zato nikada ne palite baterije
- ⑤ Odlazite alat/punjač/bateriju na msetima gde temperatura neće preći 50°C
- ⑥ Ne odlazite električne alate i baterije u kućne otpatke

## UPUTSTVO ZA KORIŠĆENJE

- Kombinovani prekidač za uključivanje/isključivanje i kontrolu brzine A ⑦
  - možete kontrolisati brzinu od najmanje do najveće menjanjem pritiska na obaraču A ⑧
- Punjenje baterije
  - ! **pročitajte bezbednosna upozorenja i uputstva priložena uz punjač**
- Uklanjanje/postavljanje baterije ②
- Indikator kapaciteta baterije ⑨
  - pritisnite dugme indikatora baterije G za prikaz trenutnog nivoa baterije ⑨r
  - ! **kada najniži nivo indikatora baterije počne da treperi nakon pritiska dugmeta G ⑨b, baterija je prazna**
  - ! **kada 2 nivoi indikatora baterije počnu da trepere nakon pritiska na dugme G ⑨c, baterija nije u dozvoljenom opsegu radne temperature**
- Zaštita baterije
  - Alat se momentalno isključuje ili ne može da se uključi kada
    - **je opterećenje suviše veliko** --> uklonite opterećenje i ponovo pokrenite
    - **temperatura baterije nije u dozvoljenom radnom opsegu temperature od -20 do +50°C** --> 2 nivoi indikatora za nivo baterije počinju da trepere kada pritisnete dugme G ⑨c; sačekajte dok se baterija ne vrati u dozvoljeni temperaturni opseg
    - **baterija je skoro prazna (za zaštitu od dubinskog pražnjenja)** --> nizak nivo baterije ili treperenje za nizak nivo baterije ⑨b prikazuje indikator za nivo baterije kada se pritisne dugme G; napunite bateriju
  - ! **prestanite da pritiskate prekidač za uključivanje/isključivanje nakon automatskog isključivanja alata jer možete oštetiti bateriju**
- LED svetlo ⑩
  - LED lampa automatski svetli kad se aktivira prekidač za uključivanje/isključivanje
    - ! **kad LED svetlo počne da bljeska, aktivira se zaštita baterije (pogledajte iznad)**
- Instaliranje i uklanjanje bitova
  - za instalaciju bita, povucite stezni naglavak C napred, ubacite bit u držač bitova i otpustite stezni naglavak C da biste zaključali bit. (⑩a, ⑩b, ⑩c)
  - ! **povucite bit napred da biste proverili da li je zaključan (⑩d)**
  - da biste uklonili bit, povucite stezni naglavak C napred
  - ! **koristite samo bitove sa loptastim osloncem, drugi bitovi se mogu koristiti sa univerzalnim držačem bitova koji ima loptasti oslonac**
  - ! **ne koristite bitove sa oštećenim prihvatom**
- Izmena smera rotacije ⑪
  - ako leva/desna pozicija ne ulegnu kako treba, prekidač A ② neće moci biti strtovan
  - ! **smer rotacije menjati samo kada alat potpuno miruje**

- Izbor režima ⑬
  - pritisnite dugme brzine E da biste izabrali željeni režim zavrtnja ili odvrtnja kad je alat postavljen na rotaciju unapred ili unazad:

#### Režim male brzine (L) ⑬a

- zavrtnje ili odvrtnje sa manje snage i pri maloj brzini
- za manje zavrtnje

#### Režim velike brzine (H) ⑬b

- zatezanje ili odvrtnje sa velikim obrtnim momentom i brzinom
- za velike zavrtnje i navrtke

#### Kontrolni režim (Strelica) ⑬c

- počnite polako da biste pomogli postavljanje zavrtnja u drvetu
- automatski povećajte brzinu nakon postavljanja zavrtnja
- za duge zavrtnje, posebno PHILLIPS/POZIDRIV zavrtnje

**! kontrolni režim je samo dostupan uz prednju rotaciju, u obrtnoj rotaciji koristi se za srednju brzinu**

**! režimi se mogu samo promeniti nakon laganog pritiska na prekidač uključujući/isključujući (zeleni LED(ovi) se aktiviraju) i kada je alat u potpunom mirovanju**

- Držanje i upravljanje alata ⑭
  - ! dok radite, uvek držite alat za mesto(a) koje(a) su označena sivom bojom**
  - prerezi za hlađenje D ② moraju da budu otvoreni
  - ne pritiscati alat previše; pustite da alat sam radi

## SAVETI ZA PRIMENU

- Koristite odgovarajuće bitve
- Pri uvrtanju šrafova na krajevima drveta prvo treba izbušiti malu rupu da bi se izbeglo listanje drveta
- Kad zavrćete vijak u tvrdo drvo, treba unapred da izbušite rupu
- Kad zavrćete vijak, nemojte ga prekomerno zategnuti. Pošto sila udarnog odvijača može da polomi vijak. Držite alat poravnat sa vijkom da biste sprečili oštećenje glave vijka.
- Obrtni moment zavisi od trajanja. Maksimalni obrtni moment se postiže nakon 6-10 sekundi.
  - ! uvek proverite obrtni moment zatezanja pomoću moment odvijača**
- Za optimalnu upotrebu alata je potreban ravnomeran pritisak na zavrtnj, naročito kad se zavrtnj ili navrtka uklanjaju.
- Za više informacija pogledajte [www.skil.com](http://www.skil.com)

## ODRŽAVANJE / SERVIS

- Alat uvek održavajte čistim (posebno otvore za hlađenje D ②)
  - ! pre čišćenja uklonite bateriju iz alata**
- Ako bi alat i pored brižljivog postupka izrade i kontrole nekada otkazao, popravku mora vršiti neki autorizovani servis za SKIL-električne alate
  - pošaljite **nerastavljeni** alat zajedno sa potvrdom o kupovini vašem nabavljaču ili najbližem SKIL servisu (adrese i oznake rezervnih delova možete naći na [www.skil.com](http://www.skil.com))
- Imajte na umu da za oštećenja nastala usled preopterećivanja ili nepravilnog rukovanja neće

važiti garancija (za uslove SKIL garancije posetite [www.skil.com](http://www.skil.com) ili pitajte svog prodavca)

## ZAŠTITA OKOLINE

- **Električne alate, baterije, pribora i ambalaže ne odlazite u kućne otpatke** (samo za EU-države)
  - prema Europskoj direktivi 2012/19/EG o staroj električnoj i elektronskoj opremi i njenoj upotrebi u skladu sa nacionalnim pravom, električni alati koji su istrošeni moraju biti sakupljeni odvojeno i dostavljeni pogonu za reciklažu
  - simbol ⑥ će vas podsetiti na to
- ! da bi se izbegli kratki spojevi je baterija zaštićena debijom trakom**

## BUKA / VIBRACIJE

- Izmeren u skladu sa standardom EN 62841 nivo pritiska zvuka ovog alata je 78 dB(A) a nivo jačine zvuka 86 dB(A) (neizvesnost K = 3 dB), i vibracija <2,5 m/s<sup>2</sup> (troosni vektorski zbir; neizvesnost K = 1,5 m/s<sup>2</sup>)
- Nivo emisije vibracija izmeren je u skladu sa standardizovanim testom datim u EN 62841; on se može koristiti za upoređenje jedne alatke sa drugom, kao i za preliminarnu procenu izloženosti vibracijama pri korišćenju ove alatke za pomenute namene
  - korišćenje alatke u drugačije svrhe ili sa drugačijim ili slabo održavanim nastavcima može značajno **povećati** nivo izloženosti
  - vreme kada je alatka isključena ili kada je uključena, ali se njome ne radi, može značajno  **smanjiti** nivo izloženosti
- ! zaštitite se od posledica vibracija održavanjem alatke i njenih nastavaka, održavajući Vaše ruke toplim i organizovanjem Vaših radnih obrazaca**

(SLO)

## Brezkrtični brežični udarni vijačnik

3211

### UVOD

- To orodje je namenjeno privijanju in odvijanju vijakov ter sornikov
  - Preverite, ali so v paketu vsi deli, kot je prikazano na sliki ②.
  - V primeru manjkajočih ali okvarjenih delov se obrnite na prodajalca.
- Preberite in shranite navodila za uporabo ③
  - **Posebno pozornost namenite navodilom in opozorilom o varnosti; če jih ne boste upoštevali, lahko pride do hudih poškodb.**

### TEHNIČNI PODATKI ①

Maks. zatezni moment pri trdem vijačenju po ISO 5393 : 250Nm

### DELI ORODJA ②

- A** Vklonno/izklonno stikalo in za nadzor hitrosti
- B** Stikalo za preklon smeri vrtenja
- C** Zatisna puša



- D Ventilacijske reže
- E Gumb za hitrost
- F Lučka LED
- G Indikator stanja akumulatorja
- H 50-mm sveder

## VARNOST

### SPLOŠNA VARNOSTNA OPOZORILA ZA ELEKTRIČNA ORODJA

**⚠ OPOZORILO** Preberite vsa varnostna opozorila, navodila in tehnične podatke ter si oglejte slike, ki so priloženi temu električnemu orodju. Neupoštevanje spodaj navedenih navodil se lahko odrazi v električnem udaru, požaru in/ali hudih poškodbah.

Vsa opozorila in navodila shranite, saj jih boste v prihodnosti morda potrebovali.

Pojem "električno orodje", ki se pojavlja v nadaljnjem besedilu, se nanaša na električna orodja z električnim pogonom (z električnim kablom) in na akumulatorska električna orodja (brez električnega kabla).

#### 1) VARNOST NA DELOVNEM MESTU

- a) **Poskrbite, da bo Vaše delovno mesto vedno čisto in urejeno.** Nered ali neosvetljena delovna področja lahko povzročijo nezgode.
- b) **Prosimo, da orodja ne uporabljate v okolju, kjer je nevarnost za eksplozije in v katerem se nahajajo gorljive tekočine, plini in prah.** Električna orodja povzročajo iskenje, zato se gorljivi prah ali pare lahko vnamejo.
- c) **Ne dovolite otrokom in drugim osebam, da bi se medtem ko delate, približali električnemu orodju.** Druge osebe lahko odvrnejo Vašo pozornost drugam in izgubili boste nadzor nad orodje.

#### 2) ELEKTRIČNA VARNOST

- a) **Vtič mora ustrezati električni vtičnici in ga pod nobenim pogojem ne smete spreminjati.** Uporaba adapterskih vtičev v kombinaciji z ozemljena orodja ni dovoljena. Originalni oziroma nespremenjeni vtiči in ustrezne vtičnice zmanjšujejo tveganje električnega udara.
- b) **Izogibajte se telesnemu stiku z ozemljenimi površinami, na primer s cevmi, grelci, štedilniki in hladilniki.** Če je ozemljeno tudi vaše telo, obstaja povečano tveganje električnega udara.
- c) **Zavarujte orodje pred dežjem ali vlago.** Vdor vode v električno orodje povečuje tveganje električnega udara.
- d) **Električnega kabla ne uporabljajte za prenašanje ali obešanje orodja in ne vlečite vtič iz vtičnice tako, da vlečete za kabel.** Zavarujte kabel pred vročino, oljem, ostrimi robovi in premikajočimi se deli orodja. Poškodovani ali prepleteni kabli povečujejo tveganje električnega udara.
- e) **Če z električnim orodjem delate na prostem, uporabljajte izključno kabelski podaljšek, ki je atestiran za delo na prostem.** Uporaba kabelskega podaljška, primerne za delo na prostem, zmanjšuje tveganje električnega udara.
- f) **Če je uporaba električnega orodja v vlažnem okolju**

**neizogibna, uporabljajte prekinjevalec električnega tokokroga.** Prekinjevalca električnega tokokroga zmanjšuje tveganje električnega udara.

#### 3) OSEBNA VARNOST

- a) **Bodite zbrani in pazite, kaj delate. Dela z električnim orodjem se lotite razumno. Nikoli ne uporabljajte orodja, če ste utrujeni in če ste pod vplivom mamil, alkohola ali zdravil.** En sam trenutek nepazljivosti pri uporabi orodja ima lahko za posledico resne telesne poškodbe.
- b) **Uporabljajte osebna zaščitna sredstva in vedno nosite zaščitna očala.** Uporaba osebnih zaščitnih sredstev, na primer maske proti prahu, nedrsečih zaščitnih čevljev, zaščitne čelade in glušnikov, odvisno od vrste in uporabe električnega orodja, zmanjšuje tveganje telesnih poškodb.
- c) **Izogibajte se nenamernemu zagonu. Pred priključitvijo električnega orodja na električno omrežje in/ali na akumulator in pred dviganjem ali nošenjem se prepričajte, če je električno orodje izklopljeno.** Prenašanje naprave s prstom na stikalo ali priključitev vklopljenega električnega orodja na električno omrežje je lahko vzrok za nezgode.
- d) **Pred vklopom orodja odstranite z nje nastavitvena orodja ali vijaki ključ.** Orodje ali ključ, ki se nahajata na vrtečem se delu električnega orodja, lahko povzročita nezgodo.
- e) **Ne precenjujte se in poskrbite za varno stojišče in stalno ravnotežje.** Tako boste lahko v nepričakovani situaciji bolje obvladali orodje.
- f) **Oblecite se primerno. Ne nosite ohlapnih oblačil ali nakita. Las in oblačil ne približujte premikajočim se delom.** Ohlapna oblačila, nakit ali dolgi lasje se lahko ujamejo v premikajoče se dele.
- g) **Če je možno na orodje namestiti priprave za odsesavanje in prestrezanje prahu, prepričajte se, ali so le-te priključene in, če jih pravilno uporabljate.** Uporaba priprave za odsesavanje prahu zmanjšuje zdravstveno ogroženost zaradi prahu.
- h) **Naj seznanjenost z orodjem, ki jo pridobite s pogosto uporabo, ne bo razlog za to, da postanete lahkomišeln in ignorirate varnostna načela.** V delčku sekunde lahko nepozorno dejanje pripelje do hude poškodbe.

#### 4) RAVNANJE IN NEGA ROČNEGA ORODJA

- a) **Ne preobremenjujte orodja. Za določeno delo uporabljajte električno orodje, ki je predvideno za opravljanje tega dela.** Ustreznim električnim orodjem boste delo opravili bolje in varneje, ker je bilo v ta namen tudi konstruirano.
- b) **Električno orodje, ki ima pokvarjeno stikalo, ne uporabljajte.** Električno orodje, ki ga ni možno vklopiti ali izklopiti, je nevarno in ga je potrebno popraviti.
- c) **Izvlčite vtič iz vtičnice in/ali odstranite akumulatorsko baterijo, če jo je mogoče izvzeti, še preden orodje popravljate, menjujete pribor ali ga shranite.** Ti preventivni varnostni ukrepi zmanjšajo tveganje za nenamenski zagon orodja.
- d) **Kadar orodja ne uporabljate ga shranjujte izven dosega otrok. Osebam, ki orodja ne poznajo ali niso prebrale teh navodil, orodja ne dovolite uporabljati.** Električna orodja so nevarna, če jih uporabljajo neizkušene osebe.

- e) **Vzdržujte električna orodja in pribor. Preverite, če premikajoči se deli orodja delujejo brezhibno in če se ne zatikajo, oziroma, če kakšen del orodja ni zlomljen ali poškodovan do te mere, da bi oviral njegovo delovanje. Pred nadaljnjo uporabo je potrebno poškodovani del popraviti.** Vzrok za številne nezgode so ravno slabo vzdrževana električna orodja.
- f) **Rezalna orodja naj bodo ostrina in čista.** Skrbno negovana rezalna orodja z ostrimi rezili se manj zatikajo in so boljše vodljiva.
- g) **Električna orodja, pribor, nastavke in podobno uporabljajte v skladu s temi navodili. Pri tem upoštevajte delovne pogoje in vrsto dela, ki ga nameravate opraviti.** Zaradi uporabe električnega orodja v druge, nepredvidene namene, lahko nastanejo nevarne situacije.
- h) **Ročaji in površine za prijemanje naj bodo suhe, čiste in brez olja ali maščobe.** Gladki ročaji in površine za prijemanje ne omogočajo varne uporabe in nadzora orodja v nepričakovanih situacijah.
- 5) **SKRIBNO RAVNANJE Z AKUMULATORSKIMI NAPRAVAMI IN NJIHOVA UPORABA**
- a) **Prosimo, da akumulatorske baterije polnite samo v polnilnikih, ki jih priporoča proizvajalec.** Na polnilniku, predvidenem za polnjenje določenih vrst akumulatorskih baterij, lahko pride do požara, če ga uporabljate za polnjenje drugih vrst akumulatorskih baterij.
- b) **Za pogon akumulatorskih orodij uporabljajte samo zanje predvidene akumulatorske baterije.** Uporaba drugačnih akumulatorskih baterij lahko povzroči telesne poškodbe ali požar.
- c) **Kadar akumulatorska baterija ni v orodju, pazite, da ne pride v stik s kovinskimi predmeti kot so pisarniške sponke, kovanci, ključi, žebelji, vijaki ali ostalimi kovinskimi predmeti, ki bi lahko povzročili stik med obema poloma akumulatorja.** Kratek stik med kontakti akumulatorske baterije lahko povzroči opekline ali požar.
- d) **Pri napačni uporabi lahko iz akumulatorske baterije priteče tekočina. Izogibajte se stiku z njo. V primeru naključnega stika prizadeto mesto spirajte z vodo. Če pride akumulatorska tekočina v oči, po spiranju poiščite tudi zdravniško pomoč.** Iztekanje tekočine iz akumulatorja lahko povzroči draženje kože ali opekline.
- e) **Ne uporabljajte poškodovanih ali prilagojenih akumulatorskih baterij oz. orodij.** Poškodovane ali prilagojene akumulatorske baterije se lahko nepredvidljivo obnašajo, kar lahko povzroči požar, eksplozijo ali tveganje za poškodbe.
- f) **Akumulatorske baterije ali orodja ne izpostavljajte ognju ali previsoki temperaturi.** Izpostavljenost ognju ali vročini nad 130°C lahko povzroči eksplozijo.
- g) **Upoštevajte navodila za polnjenje in ne polnite akumulatorske baterije ali orodja pri temperaturi, ki je izven območja, navedenega v navodilih.** Če orodje polnite na nepravilen način ali pri temperaturah, ki so izven določenega območja, lahko pride do poškodb akumulatorske baterije, kar poveča tveganje za požar.
- 6) **SERVISIRANJE**
- a) **Popravilo orodja lahko opravi samo usposobljena strokovna oseba in to izključno z originalnimi nadomestnimi deli.** Le tako bo ohranjena nadaljnja

varnost orodja.

- b) **Nikdar ne popravljajte poškodovanih akumulatorskih baterij.** Akumulatorske baterije naj popravlja le proizvajalec ali pooblaščen servisier.

## VARNOSTNA NAVODILA ZA AKUMULATORSKI UDARNI VIJAČNIK

- **Če izvajate dela, pri katerih bi se lahko s pritrdilnim elementom dotaknili skrite omrežne napeljave, držite električno orodje samo za izolirane ročaje** (stik pritrdilnih elementov z napeljavo, ki je pod napetostjo, lahko povzroči, da so tudi kovinski deli orodja pod napetostjo, kar lahko povzroči električni udar za upravljavca)

### SPLOŠNO

- Prah materialov, kot so barve, ki vsebujejo svinec, nekatere vrste lesa, mineralov ali kovin so lahko škodljivi (ob stiku ali vdihavanju lahko prah pri delavcu ali pri drugih prisotnih povzroči alergijsko reakcijo in/ali boleznih dihal); **nosite masko za prah in pri delu uporabljajte napravo za odsesavanje prahu, kjer je le-to možno priključiti**
- Nekatero vrsto prahu so klasificirane kot kancerogene (kot npr. prah hrasta in bukke) še posebno ob sočasni uporabi z dodatki za obdelavo lesa; **nosite masko za prah in pri delu uporabljajte napravo za odsesavanje prahu, kjer je le-to možno priključiti**
- Upoštevajte nacionalne zahteve glede prahu za materiale katere želite obdelovati
- **Ne obdelujte materiala, ki vsebuje azbest** (azbest povzroča rakasta obolenja)
- Pred nastavitvijo ali menjavo pribora in pri prenašanju ali shranjevanju orodja zagotovite, da je stikalo B ② v vmesni poziciji (zaklenjeno)

### PRIBOR

- SKIL zagotavlja brezhibno delovanje orodja le z uporabo originalnega dodatnega pribora
- Uporabljajte lahko dodatni pribor, katerega dovoljena hitrost je najmanj enaka največji hitrosti orodja

### PRED UPORABO

- Izogibajte se poškodb zaradi vijakov, žebeljev ali drugih elementov v obdelovancu; odstranite jih pred začetkom dela
- **Zavarujte obdelovanec** (obdelovanec stisnjen v prižemi ali primežu je bolj varen kot v roki)
- **Za iskanje skritih električnih, plinskih in vodovodnih cevi uporabite primerne iskalne naprave (detektorje) ali se posvetujte z lokalnimi podjetji** (stik z električnimi vodniki lahko povzroči požar ali električni udar; poškodbe plinovoda lahko povzročijo eksplozijo, vdr v vodovodno omrežje pa materialno škodo ali električni udar)

### AKUMULATORJI

- **Baterija, če je priložena, je delno napolnjena** (če želite zagotoviti polno zmogljivost akumulatorja, ga pred prvo uporabo popolnoma napolnite s polnilnikom za akumulator)
- **S tem orodjem lahko uporabljate samo te akumulatorje in polnilnike**  
- Akumulator SKIL: BR1\*31\*\*\*\*  
- Polnilnik SKIL: CR1\*31\*\*\*\*
- Ne uporabljajte poškodovanega akumulatorja; takoj ga je potrebno zamenjati
- Akumulatorja ne razstavljajte
- Orodja/akumulatorja ne izpostavljajte dežju

- Dovoljena temperatura okolice (orodje/polnilec/akumulator):
  - pri polnjenju 4...40°C
  - pri delu -20...+50°C
  - pri skladiščenju -20...+50°C

#### POJASNILO OZNAK NA ORODJU/BATERIJI

- 3 Pred uporabo preberite navodila za uporabo
- 4 Baterije lahko pri izpostavljanju odprtemu ognju eksplodirajo, zato jih nikoli ne sežigajte
- 5 Shranjujte orodje, polnilec in akumulator v prostoru, kjer temperatura ne bo presegla 50°C
- 6 Ne odstranjujte električnega orodja in baterije s hišnimi odpadki

## UPORABA

- Kombinirano stikalo za vklop/izklop in nastavev hitrosti A 7
  - hitrost se brezstopenjsko nastavlja od 0 do maksimalne z večjim ali manjšim pritiskom na stikalo A 8
- Polnjenje akumulatorja
  - ! **Preberite varnostna opozorila in navodila, priložena polnilniku**
- Odstranitev/namestitev akumulatorja 2
- Indikator stanja akumulatorja 9
  - pritisnite gumb indikatorja ravni napoljenosti akumulatorja G, da prikažete trenutno raven napoljenosti akumulatorja 9s
  - ! **ko začne utripati najnižja raven indikatorja akumulatorja po pritisku gumba G 9b, je akumulator prazen**
  - ! **ko začnejo utripati ravni 2 indikatorja akumulatorja po pritisku gumba G 9c, akumulator ni v dovoljenem razponu delovne temperature**
- Zaščita akumulatorja
  - Orodje se nenadoma izklopi ali pa ga ni mogoče vklopiti, kadar
    - **previsoka obremenitev** --> odstranite obremenitev in zaženite znova
    - **temperatura baterije ni v dovoljenem razponu delovne temperature od -20 do +50 °C** --> 2 ravni indikatorja napoljenosti akumulatorja začnejo utripati, ko pritisnete gumb G 9c; počakajte, da se akumulator vrne v dovoljeni razpon delovne temperature
    - **akumulator je skoraj prazen (zaščitite ga pred popolno izpraznitvijo)** --> indikator napoljenosti akumulatorja prikaže nizko raven napoljenosti akumulatorja ali utripajočo nizko raven napoljenosti akumulatorja 9b, ko pritisnete gumb G; napolnite akumulator
    - ! **po samodejnem izklopu ne pritiskajte stikala za vklop/izklop; baterija se lahko poškoduje**
- Lučka LED 10
  - Lučka LED se ob aktiviranju stikala za vklop/izklop samodejno vklopi.
  - ! **Ko začne lučka LED utripati, je zaščita akumulatorja aktivirana (glejte zgoraj).**
- Nameščanje in odstranjevanje svetrov
  - Za namestitev svetra zatismo pušo C povlecite naprej, vstavite sveder in spustite zatismo pušo C, da sveder zaklenete. (11a 11b 11c)
  - ! **Sveder potisnite naprej in tako preverite, ali je dobro fiksiran (11d)**
  - Če želite sveder odstraniti, zatismo pušo C potisnite

naprej.

**! Uporabljajte samo nastavke s krogljčnim zapiralom; druge nastavke lahko uporabite z univerzalnim nosilcem za nastavke s krogljčnim zapiralom.**

**! Ne uporabljajte nastavkov s poškodovanim stebлом.**

- Menjava smeri vrtenja 12
  - v primeru, da preklopnik smeri vrtenja ni v pravilnem položaju ni možno vklopiti stikala A 2
  - ! **preklop smeri vrtenja izvesti le pri popolnoma mirujočemu orodju**
- Izbira načina 13
  - Pritisnite gumb za hitrost E, da izberete želeni način privijanja ali odvijanja, ko je orodje nastavljeno na vrtenje naprej ali nazaj:
  - Način nizka hitrost (L) 13a**
    - privijanje in odvijanje z veliko silo in pri nizki hitrosti
    - za manjše vijake
  - Način visoka hitrost (H) 13b**
    - privijanje in odvijanje z veliko silo in visoko hitrostjo
    - za večje vijake in sornike
  - Nadzorovani način (puščica) 13c**
    - začnite počasi, da boste lažje vstavili vijak v les
    - samodejno naraščanje hitrosti, ko je vijak vstavljen
    - za daljše vijake, predvsem vijake PHILLIPS/POZIDRIV
    - ! **je pri nadzorovanem načinu na voljo le vrtenje naprej; obratna smer vrtenja se uporablja pri srednji hitrosti**
    - ! **med načini lahko prehajate, ko je orodje v popolnem mirovanju z lahkim pritiskom na gumb ON/OFF (zelen/-i indikator/-ji LED se vklopi/-jo)**
- Držanje in vodenje orodja 14
  - ! **med delom vedno držite orodje za sivo obarvano mesto oprijema**
    - ventilacijske reže D 2 morajo biti nepokrite
    - ne pritiskajte na orodje premočno; pustite da orodje sam opravi delo

## UPORABNI NASVETI

- Uporabljajte ustrezne nastavke
- Pri vijačenju vijaka v les v bližini robu je potrebno predvrtati luknjo, s čimer boste preprečili pokanje lesa
- Pri privijanju v trd les priporočamo, da najprej izvrtate luknjo.
- Vijaka neategnite preveč. Sila udarnega vrtnalnika lahko zlomi pritrilni element. Orodje držite poravnano z vijakom, da preprečite, da bi se glava pritrilnega elementa poškodovala.
- Stopnja navora je odvisna od trajanja udarca. Največji navor se doseže po 6 do 10-sekundnem udarcu.
  - ! **Vedno preverite zatezni navor z momentnim ključem.**
- Za optimalno delo je potreben enakomeren pritisk na vijak, predvsem pri odvijanju pritrilnega elementa.
- Za več informacij obiščite spletno stran [www.skil.com](http://www.skil.com).

## VZDRŽEVANJE/SERVISIRANJE

- Orodje naj bo vedno čisto (še posebej prezračevalne odprtine D 2)
- ! **pred čiščenjem odstranite akumulator iz orodja**
- Če bi kljub skrbnim postopkoma izdelave in preizkušanja prišlo do izpada delovanja orodja, naj

popravilo opravi servisna delavnica, pooblaščena za popravila SKILevih električnih orodij

- pošljite **nerazstavljeno** orodje skupaj s potrdilom o nakupu pri vašemu prodajalco v najbližjo SKIL servisno delavnico (naslovi, kot tudi spisek rezervnih delov se nahaja na [www.skil.com](http://www.skil.com))
- Zavedajte se, da garancija ne vključuje poškodb zaradi preobremenitve orodja ali nepravilne rabe (glede SKILovih garancijskih pogojev obiščite [www.skil.com](http://www.skil.com) ali povprašajte prodajalca)

## OKOLJE

- **Električnega orodja, baterije, pribora in embalaže ne odstranijte s hišnimi odpadki** (samo za države EU)
  - v skladu z Evropsko direktivo 2012/19/EG o odpadni električni in elektronski opremi in z njenim izvajanjem v nacionalni zakonodaji je treba električna orodja ob koncu njihove življenjske dobe ločeno zbirati in jih predati v postopek okolju prijaznega recikliranja
  - ko je potrebno odstranjevanje, naj vas o načinu spomni simbol ⑥
- ! **preden akumulator zavržete, prilepite kontakte z debelejším izolirnim trakom, da preprečite kratek stik**

## HRUP / VIBRACIJA

- Raven zvočnega tlaka tega orodja, ki je bila izmerjena v skladu s standardom EN 62841, je 78 dB(A), raven zvočne moči je 86 dB(A) (odstopanje K = 3 dB), skupne vrednosti vibracij <2,5 (triosna vektorska vsota; odstopanje K = 1,5 m/s<sup>2</sup>)
- Raven oddajanja vibracij je bila izmerjena v skladu s standardiziranimi testi, navedenimi v EN 62841; uporabiti jo je mogoče za primerjavo različnih orodij med seboj in za predhodno primerjavo izpostavljenosti vibracijam pri uporabi orodja za namene, ki so omenjeni
  - uporaba orodja za drugačne namene ali uporaba skupaj z drugimi, slabo vzdrževanimi nastavki lahko znatno **poveča** raven izpostavljenosti
  - čas, ko je orodje izklopljeno ali ko teče, vendar z njim ne delamo, lahko znatno **zmanjša** raven izpostavljenosti
- ! **pred posledicami vibracij se zaščitite z vzdrževanjem orodja in pripadajočih nastavkov, ter tako, da so vaše roke tople, vaši delovni vzorci pa organizirani**

EST

## Harjadeta akulöökkruvikeeraja

3211

## SISSEJUHATUS

- See tööriist on mõeldud kruvide ja poltide kinni- ja lahtikeeramiseks
  - Kontrollige, kas pakend sisaldab kõiki joonisel ② näidatud osi.
  - Kui mõni osa on puudu või kahjustatud, võtke ühendust kohaliku edasimüüjaga
- Lugege käesolev kasutusjuhend hoolikalt läbi ja hoidke alles. ③
  - **Pöörake erilist tähelepanu ohutusjuhiste ja**

**hoiatustele; nende eiramine võib põhjustada tõsiseid vigastusi**

## TEHNILISED ANDMED ①

Max pöördemoment tugeval kruvikeeramisrežiimil ISO 5393 kohaselt : 250Nm

## SEADME OSAD ②

- A** Lüliti tööriista sisse-/väljalülitamiseks ja kiiruse kontrollimiseks
- B** Lüliti pöörlemis-suuna muutmiseks
- C** Fikseerimisrõngas
- D** Õhutusavad
- E** Kiiruse nupp
- F** LED-märgutuli
- G** Aku laetuse astme indikaator
- H** 50 mm kruvikeerajaotsak

## OHUTUS

### ÜLDISED OHUTUSNÕUDED ELEKTRILISTE TÖÖRIISTADE KASUTAMISEL

**⚠ HOIATUS** Lugege kõiki hoiatusi, juhiseid, kirjeldusi ja spetsifikatsioone, mis käivad tööriistaga kaasas.

Kui kõiki allpool loetletud juhiseid ei õnnestu järgida, võite saada elektrilöögi, võib tekkida tulekahju ja/või saada rasket vigastada.

**Hoidke kõik ohutusnõuded ja juhised edaspidiseks alles.**

Allpool kasutatud mõiste "elektriline tööriist" käib võrgutoitega (toitejuhtmega) elektriliste tööriistade ja akutoitega (ilma toitejuhtmeta) elektriliste tööriistade kohta.

### 1) OHUTUSNÕUDED TÖÖPIIRKONNAS

- Hoidke töökoht puhas ja korras.** Segadus või valgustamata tööpiirkonnad võivad põhjustada õnnetusi.
- Ärge kasutage seadet plahvatusohtlikus keskkonnas, kus leidub tuleohtlikke vedelikke, gaase või tolmu.** Elektrilistest tööriistadest lööb sädemeid, mis võivad tolmu või auru süüdata.
- Kui kasutate elektrilist tööriista, hoidke lapsed ja teised isikud töökohast eemal.** Kui Teie tähelepanu kõrvale juhitakse, võib seade Teie kontrolli alt väljuda.

### 2) ELEKTRIOHUTUS

- Seadme pistik peab pistikupesast sobima.** Pistiku kallal ei tohi teha mingeid muudatusi. Ärge kasutage kaitsemaandusega seadmete puhul adapterpistikuid. Muutmata pistikud ja sobivad pistikupesad vähendavad elektrilöögi saamise riski.
- Vältige kehakontakti maandatud pindadega, nagu torud, radiaatorid, pliidid ja külmikud.** Kui Teie keha on maandatud, on elektrilöögi risk suurem.
- Hoidke seadet vihma ja niiskuse eest.** Kui elektriseadmesse on sattunud vett, on elektrilöögi saamise risk suurem.
- Ärge kasutage toitejuhet selleks mitte ettenähtud otstarbel seadme kandmiseks, ülesriputamiseks ega pistiku pistikupesast väljatõmbamiseks.** Hoidke toitejuhet kuumuse, õli, teravate servade ja seadme liikuvate osade eest. Kahjustatud või keerduläänud

- toitejuhtmed suurendavad elektrilöögi saamise riski.
- e) **Kui töötate elektrilise tööriistaga vabas õhus, kasutage ainult selliseid pikendusjuhtmeid, mida on lubatud kasutada ka välitingimustes.** Välitingimustes kasutamiseks sobiva pikendusjuhtme kasutamine vähendab elektrilöögi saamise riski.
- f) **Kui elektrilise tööriista kasutamine niiskes keskkonnas on vältimatu, kasutage maandusega lekkevoolukaitset.** Maandusega lekkevoolukaitse kasutamine vähendab elektrilöögi ohtu.
- 3) INIMESTE TURVALISUS**
- a) **Olge tähelepanelik, jälgige, mida Te teete, ning toimige elektrilise tööriistaga töötades mõistlikult. Ärge kasutage seadet, kui olete väsinud või uimastite, alkoholi või ravimite mõju all.** Hetkeline tähelepanematus seadme kasutamisel võib põhjustada tõsiseid vigastusi.
- b) **Kandke isikukaitsevahendeid ja alati kaitseprille.** Isikukaitsevahendite, nagu tolumumask, libisemiskindlad turvajalatsid, kaitsekiiver või kuulmiskaitsevahendid, kandmine – sõltuvalt elektrilise tööriista tüübist ja kasutusalaast – vähendab vigastuste riski.
- c) **Vältige seadme tahtmatut käivitamist. Enne pistiku ühendamist pistikupesast, aku ühendamist seadme külge, seadme ülestõstmist ja kandmist veenduge, et elektriline tööriist on välja lülitatud.** Kui hoiate elektrilise tööriista kandmisel sõrme lülitil või ühendate vooluvõrku sisselülitatud seadme, võivad tagajärjeks olla õnnetused.
- d) **Enne seadme sisselülitamist eemaldage selle küljest reguleerimis- ja mutrivõtmed.** Seadme pöörleva osa küljes olev reguleerimis- või mutrivõti võib põhjustada vigastusi.
- e) **Ärge hinnake end üle. Võtke stabiilne tööasend ja hoidke kogu aeg tasakaalu.** Nii saate seadet ootamatutes olukordades paremini kontrollida.
- f) **Kandke sobivat rõivastust. Ärge kandke laiu riideid ega ehteid. Hoidke juukseid ja rõivad seadme liikuvatest osadest eemal.** Lotendavad riided, ehted või pikad juukseid võivad sattuda seadme liikuvate osade vahele.
- g) **Kui on võimalik paigaldada tolmueemaldus- ja tolmutõrjumisvahendeid/seadmeid, veenduge, et need oleksid seadmega ühendatud ja et need kasutataks õigesti.** Tolmueemaldusvahendite kasutamine vähendab tolmut põhjustatud ohte.
- h) **Ärge muutuge tööriista sagedasest kasutamisest hooletuks ja ärge eirake ohutusnõudeid.** Hooletus võib sekundi murdosa jooksul kaasa tuua raskeid vigastusi.
- 4) ELEKTRILISTE TÖÖRIISTADE HOOLIKAS KÄSITSEMINE JA KASUTAMINE**
- a) **Ärge koormake seadet üle. Kasutage töö tegemiseks selleks ettenähtud elektrilist tööriista.** Sobiva elektrilise tööriistaga töötate paremini ja turvalisemalt ettenähtud võimsusvahemikus.
- b) **Ärge kasutage elektrilist tööriista, mille lüliti on rikkis.** Elektriline tööriist, mida ei ole enam võimalik sisse ja välja lülitada, on ohtlik ning seda tuleb remontida.
- c) **Tõmmake pistik pistikupesast välja ja/või eemaldage seadmest aku, kui on eemaldatav, enne seadme reguleerimist, tarvikute vahetamist ja seadme ärapanekut.** See ettevaatusabinõu väldib

- seadme tahtmatut käivitamist.
- d) **Kasutusvälisel ajal hoidke elektrilisi tööriistu lastele kättesaamatult. Ärge laske seadet kasutada isikutel, kes seda ei tunne või pole siintoodud juhiseid lugenud.** Kogenematute kasutajate käes kujutavad elektrilised tööriistad ohtu.
- e) **Hoolitsege elektriliste tööriistade ja tarvikute eest korralikult. Kontrollige, kas seadme liikuvad osad funktsioneerivad korralikult ja ei kiildu kinni, ning ega mõned osad ei ole katki või sel määral kahjustatud, et võiksid mõjutada seadme töökindlust. Laske kahjustatud osad enne seadme kasutamist parandada.** Paljude õnnetuste põhjuseks on halvasti hooldatud elektrilised tööriistad.
- f) **Hoidke löiketarvikud teravad ja puhtad.** Hoolikalt hoitud, teravate lõikeservadega löiketarvikud kiilduvad harvemini kinni ja neid on lihtsam juhtida.
- g) **Kasutage elektrilist tööriista, lisavarustust, tarvikuid jne vastavalt siintoodud juhistele. Arvestage seejuures töötingimuste ja teostatava töö iseloomuga.** Elektriliste tööriistade kasutamine mitte ettenähtud otstarbel võib põhjustada ohtlikke olukordi.
- h) **Hoidke käepidemed ja haardepinnad kuiva ja puhtana ning vabana õlist ja määrdeainetest.** Libedad käepidemed ja haardepinnad ei luba tööriista ohutult käsitseda ja ootamatutes olukordades kontrolli all hoida.
- 5) AKUTÖÖRIISTADE HOOLIKAS KÄSITSEMINE JA KASUTAMINE**
- a) **Laadige akusid ainult tootja poolt soovitatud akulaadijatega.** Akulaadija, mis sobib teatud tüüpi akudele, muutub tuleohtlikuks, kui seda kasutatakse teiste akudega.
- b) **Kasutage elektrilistes tööriistades ainult selleks ettenähtud akusid.** Teiste akude kasutamine võib põhjustada vigastusi ja tulekahjuohtu.
- c) **Hoidke kasutusel mitteolevad akud eemal kirjaklambritest, müntidest, võtmetest, naeltest, kruvidest või teistest väikestest metallsemetest, mis võivad kontaktid omavahel ühendada.** Akukontaktide vahel tekkiva lühise tagajärjeks võivad olla põletused või tulekahju.
- d) **Väärkasutuse korral võib akuvedelik välja voolata. Vältige sellega kokkupuudet. Juhusliku kokkupuute korral loputage kahjustatud kohta veega. Kui vedelik satub silma, pöörduge lisaks arsti poole.** Väljavoolav akuvedelik võib põhjustada nahaärritusi või põletusi.
- e) **Ärge kasutage akut ega tööriista, mis on kahjustada saanud või mida on modifitseeritud.** Kahjustada saanud või modifitseeritud akud võivad põhjustada tulekahju, plahvatuse, kehavigastusi ja varalist kahju.
- f) **Kaitske akut ja elektrilist tööriista leekide ja väga kõrgete temperatuuride eest.** Kokkupuude leekidega või üle 130°C temperatuuriga võib põhjustada plahvatuse.
- g) **Järgige kõiki laadimisjuhiseid ja ärge laadige akut väljaspool juhistes määratletud temperatuurivahemikku.** Nõuetele mittevastav laadimine või laadimine väljaspool ettenähtud temperatuurivahemikku võib akut kahjustada ja suurendada tulekahju ohtu.
- 6) TEENINDUS**
- a) **Laske seadet parandada ainult kvalifitseeritud**

**spetsialistidel ja ainult originaalvaruosadega.** Nii tagate seadme püsimise turvalisena.

- b) **Ärge kunagi käidelda kahjustada saanud akusid.** Akusid võivad käidelda vaid tootja esindajad või volitatud hooldekeskuse töötajad.

## OHUTUSJUHISED AKULÕKKRUVIKEERAJA KOHTA

- **Hoidke elektritööriista kinni isoleeritud haardepinnast, kuna lint võib puutuda kokku tööriista enda juhtmega** (voolu all oleva juhtme löikamisel võivad elektritööriista metallosad pingestuda ja anda operaatorile elektrilöögi)

## ÜLDIST

- Värviga kaetud juhtmed, mõned puiduliigid, mineraalid ja metall eraldavad tolmu, mis võib olla kahjulik (kokkupuude tolmu või selle sissehingamine võib seadme kasutajal või läheduses viibivatel inimestel põhjustada allergilisi reaktsioone ja/või hingamisteede haigusi); **kandke tolumumaski ja vajaduse korral töötage külgeühendatava tolmuemaldusseadmega**
- Teatud tüüpi tolm on klassifitseeritud kantserogeensena (nt tammest ja kasest eralduv tolm), eriti koos puidu niiskuse reguleerimiseks kasutatavate lisanditega; **kandke tolumumaski ja vajaduse korral töötage külgeühendatava tolmuemaldusseadmega**
- Erinevate materjalide töötlemisel tekkiva tolmu käitlemisel tuleb järgida kehtivaid nõudeid
- **Asbestisaldava materjali töötlemine on keelatud** (asbest võib tekitada vähki)
- Enne seadistustööde tegemist seadme kallal ning tarvikute vahetust, samuti enne seadme transportimist ja hoiustamist veenduge, et lüliti B ② oleks keskasendis (lukustatud asendis)

## TARVIKUD

- SKIL tagab seadme häireteta töö üksnes originaaltarvikute kasutamisel
- Kasutage vaid neid tarvikuid, mille lubatud pöörete arv on vähemalt sama suur nagu maksimaalsed tühikäigupöörded

## ENNE KASUTAMIST

- Vältige töödeldavas esemes olevatest kruvidest, naeltest vms põhjustatud kahjustusi; eemaldage need enne töö alustamist
- **Fikseerige toorik** (fiksaatoriga kinnitatud või kruustangide vahele pandud toorik püsib kindlamini paigal kui lihtsalt käega hoides)
- **Varjatult paiknevate elektrijuhtmete, gaasi- või veetorude avastamiseks kasutage sobivaid otsimisvahendeid või pöörde kohaliku elektri-, gaasi- või vee-ettevõtte poole** (kokkupuutel elektrijuhtmetega tulekahju- ja elektrilöögioht; gaasitorustiku vigastamisel plahvatusoht; veetorustiku vigastamisel materiaalne kahju või elektrilöögioht)

## AKUD

- **Kaasasolev aku (kui selline komplektis sisaldub) on osaliselt laetud** (aku täisjõudluse tagamiseks laadige aku enne elektrilise tööriista esimest kasutamist akulaadimis korralikult täis)
- **Kasutage selle tööriistaga ainult järgmiseid akusid ja laadijaid**
  - SKILi aku: BR1\*31\*\*\*\*
  - SKILi laadija: CR1\*31\*\*\*\*
- Ärge kasutage kahjustatud akusid, vaid vahetage need kohe välja

- Ärge võtke akut lahti
- Ärge jätke tööriista/akut vihma kätte
- Ümbritseva keskkonna lubatud temperatuur (tööriista/laadijat/akut):
  - laadimisel 4...40°C
  - töötamisel -20...+50°C
  - säilitamisel -20...+50°C

## TÖÖRIISTAL/AKUL OLEVATE SÜMBOLITE SELGITUS

- ③ Enne kasutamist tutvuge kasutusjuhendiga
- ④ Tulle visatud akud plahvatavad, seepärast ei tohi akut mingil põhjusel põletada
- ⑤ Hoidke tööriista/laadijat/akut toatemperatuuril vahemikus 0° kuni 50°C
- ⑥ Ärge visake kasutusõlmatuks muutunud elektrilisi tööriistu ja patareisid ära koos olmejäätmetega

## KASUTAMINE

- Kombinatsioonlüliti sisse-/väljalülitamiseks ning kiiruse kontrolliks A ⑦
  - avaldades lülitle A ⑧ suuremat või väiksemat survet, saab kiirust sujuvalt reguleerida nullist kuni maksimaalsele pöörele
- Aku laadimine
  - ! **lugege laadijaga kaasasolevaid ohutushoiatusi ja juhiseid**
- Aku eemaldamine/paigaldamine ②
- Aku laetuse astme näidik ⑨
  - vajutage aku täitetaseme nuppu G, et kuvada praegune aku täitetaseme ⑨t
  - ! **kui aku laetuse indikaatori madalaim tase hakkab vilkuma, vajutades nupuke G ⑨b, on aku tühi**
  - ! **kui 2 taseme aku laetuse indikaatoril hakkavad vilkuma, vajutades nupule G ⑨c, ei ole aku selle lubatud töötemperatuuri vahemikus**
- Aku kaitse
  - Tööriist lülitatakse järsku välja või takistatakse selle sisselülitamist, kui
    - **koormus on liiga suur** --> eemaldage koormus ja taaskäivitage
    - **Aku temperatuur ei ole lubatud töötemperatuuri vahemikus -20 kuni +50 °C** --> 2 aku laetuse taseme indikaatorid hakkavad vilkuma, kui vajutatakse nuppu G ⑨c; oodake, kuni aku naaseb lubatud töötemperatuuri vahemikku
    - **aku on peaaegu tühi (et kaitsta täieliku tühjenemise eest)** --> madal akutase või vilkuv madal akutase ⑨b kuvatakse aku laetuse astme indikaatoril, vajutades nupule G; laadige akut
    - ! **ärge vajutage enam lülitle (sisse/välja), kui tööriist on end automaatselt välja lülitanud, sest see võib akut kahjustada**
- LED-valgusti ⑩
  - LED-tuli süttib automaatselt toitelüliti (On/Off) aktiveerimisel
  - ! **Kui LED-tuli hakkab vilkuma, on aku kaitse rakendatud (vt allpool)**
- Otsakute paigaldamine ja eemaldamine
  - otsaku paigaldamiseks tõmmake otsaku kinnituspuksi C ettepoole, sisestage otsak otsikuhoidikusse ja otsaku lukustamiseks vabastage kinnitushülss C. (⑩a ⑩b ⑩c)
  - ! **tõmmake otsakut ettepoole, et kontrollida selle kinnitust (⑩d)**

- otsaku eemaldamiseks tõmmake kinnituspuksi C ettepoole
- ! **Kasutage ainult kuulfiksaatoritega otsakuid, teisi otsakuid saab kasutada kuulfiksaatoriga universaalse otsaku hoidikuga.**
- ! **Ärge kasutage kahjustatud varrega otsakuid**
- Pöörlemisuuuna ümberlülitamine ⑫
  - kui lüliti ei ole korralikult fikseerunud vasakus/paremas asendis, ei ole võimalik tööülilite A ② vajutada
  - ! **pöörlemisuuunda tohib muuta üksnes siis, kui seade on täielikult seiskunud**
- Režiimi valimine ⑬
  - vajutage kiirusnuppu E soovitud pingutamise- või lödvestamisrežiimi valimiseks, kui tööriist on seatud edasi- või tagasipöörlemisele:
  - Madal kiirusrežiim (L) ⑬a**
    - pingutage või keerake lahti väiksema jõu ja madala kiirusega
    - väiksemate kruvide jaoks
  - Kõrge kiirusrežiim (H) ⑬b**
    - pingutamine või keerake lahti suurema jõu ja kõrge kiirusega
    - suurte kruvide ja poltide jaoks
  - Juhtrežiim (Nool) ⑬c**
    - kruvi puu sisse kruvimisel alustage aeglaselt
    - kui kruvi on kohale paigutatud, siis suurendage kiirust automaatselt
    - pikkade kruvide, eelkõige PHILLIPS/POZIDRIV kruvide puhul
    - ! **juhtrežiim on saadaval vaid edasipööramise korral; tagasipööramise korral kasutatakse seda keskmise kiiruse jaoks**
    - ! **režiimi saab vahetada vaid korraks sisse-/väljalülitusnuppu vajutades (aktiveeritud on roheline LED-tuli) ning juhul, kui seade on täielikult seiskunud**
- Tööriista hoidmine ja juhtimine ⑭
  - ! **töötamise ajal hoidke tööriista kinni korpuse ja käepideme halli värvi osadest**
  - hoidke õhutusavad D ② kinnikatmata
  - ärge suruge tööriistale liigselt; laske sellel enda heaks töötada

## TÖÖJUHISED

- Kasutage sobivaid otsakuid
- Kruvi keeramisel puidu otsapiirkonda on soovitatav auk ette puurida, et vältida puidu lõhenemist
- Kruvi keeramisel kõvasse puitu on soovitatav ava ette puurida.
- Kruvi kinnikeeramisel vältige ülekeeramist. Löökvõtme jõud võib kinnitusvahendi purustada. Hoidke tööriista kruviga joondatult, et vältida kinnitusdetaili pea kahjustamist.
- Pöördemoment sõltub mõju kestusest Maksimaalne pöördemoment saavutatakse pärast 6-10 sekundi pikkust lööki.
- **Kontrollige pingutusmomenti alati momendimõõtevõtmega**
- Tööriista optimaalseks kasutamiseks on vajalik pidev surve poldile, eriti kinnitusdetaili väljakeeramisel.
- Lisateavet lugege aadressilt [www.skil.com](http://www.skil.com)

## HOOLDUS/TEENINDUS

- Hoidke tööriist alati puhtana (eriti ventilatsioonivad D ②) **! enne puhastamist eemaldage tööriistast aku**
- Tööriist on hoolikalt valmistatud ja testitud; kui tööriist sellest hoolimata rikki läheb, tuleb see lasta parandada SKILi elektriliste käsitööriistade volitatud remonditöökojas
  - toimetage **lahtimonteerimata** seade koos ostukviitungiga tarnijale või lähimasse SKILi lepingulisse töökotta (aadressid ja tööriista varuosade joonise leiata aadressil [www.skil.com](http://www.skil.com))
- Arvestage sellega, et garantii ei hõlma seadme ülekoormamisest või ebaõigest käsitsemisest tulenevaid kahjustusi (teavet SKILi garantiitingimuste kohta vaadake veebilehelt [www.skil.com](http://www.skil.com) või küsige kohalikult müügiesindajalt)

## KESKKOND

- **Ärge visake kasutuskõlmatuks muutunud elektrilisi tööriistu, patareisid, lisatarvikuid ja pakendeid ära koos olmejäätmetega** (üksnes EL liikmesriikidele)
  - vastavalt Euroopa Parlamendi ja nõukogu direktiivile 2012/19/EÜ elektri- ja elektroonikaseadmete jäätmete kohta ning direktiivi nõuete kohaldamisele liikmesriikides tuleb kasutuskõlmatuks muutunud elektrilised tööriistad koguda eraldi ja keskkonnasäästlikult korduvkasutada või ringlusse võtta
  - seda meenutab Teile sümbol ⑥
  - ! **enne aku kahjutustamist katke selle otsad kaitseks tugeva teibiga, et vältida lühisahela teket**

## MÜRA / VIBRATSIOON

- Standardiga EN 62841 kooskõlas mõõdetud tööriista helirõhu tase on 78 dB(A) ja helivõimsuse tase 86 dB(A) (määramatus K = 3 dB), ja vibratsioon <math>2,5 \text{ m/s}^2</math> (ruumiliste vektorite summa; mõõtemääramatus K = 1,5  $\text{m/s}^2$ )
- Tekkiva vibratsiooni tase on mõõdetud vastavalt standardis EN 62841 kirjeldatud standarditud testile; seda võib kasutada tööriistade võrdlemiseks ja tööriista kasutamisel ettenähtud töödeks esineva vibratsiooni esialgseks hindamiseks
  - tööriista kasutamisel muudeks rakendusteks või teiste/halvasti hooldatud tarvikute kasutamisel võib vibratsioon märkimisväärselt **suureneda**
  - ajal, kui tööriist on väljalülitatud või on küll sisselülitatud, kuid tegelikult seda ei kasutata, võib vibratsioon märkimisväärselt **väheneda**
  - ! **enda kaitsemiseks vibratsiooni eest hoidlase tööriista ja selle tarvikuid korralikult, hoidke oma käed soojad ja tagage sujuv töökorraldus**

LV

**Bezsku bezvadu  
tricienskrūvgriezis**

**3211**

## IEVADS

- Šis instruments paredzēts skrūvju un bultskrūvju ieskrūvēšanai un izskrūvēšanai
- Pārbaudiet, vai iepakojumā ir visas attēlā ② redzamās daļas

- Ja trūkst kādas daļas vai tā ir bojāta, lūdzu, sazinieties ar izplatītāju
- Izlasiet un saglabājiet šo pamācību ③
  - **Stingri ievērojiet drošības instrukcijas un brīdinošos norādījumus, jo pretējā gadījumā jūs riskējat gūt smagu traumu**

## TEHNISKIE PARAMETRI ①

Maks. griezes moments cietam skrūvēšanas režīmam atbilstoši standartam ISO 5393 : 250Nm

## INSTRUMENTA ELEMENTI ②

- A Ieslēdzējs un griešanās ātruma regulators
- B Griešanās virziena pārslēdzējs
- C Fiksējošā uzmava
- D Ventilācijas atveres
- E Ātruma poga
- F Gaismas indikators
- G Akumulatora uzlādes pakāpes indikators
- H 50 mm skrūvgrieža uzgalis

## DROŠĪBA

### VISPĀRĒJIE NOTEIKUMI ELEKTROINSTRUMENTU DROŠAI LIETOŠANAI

**BRĪDINĀJUMS** Iepazīstieties ar visiem šī elektroinstrumenta drošas lietošanas noteikumiem, norādījumiem, attēliem un specifikācijām. Visu turpmāk sniegto norādījumu neizpildes rezultātā lietotājs var ciest no elektrošoka, var izvērsties ugunsnelaime un/vai rasties smagi ievainojumi.

**Saglabājiet visus noteikumus un norādījumus turpmākai atsaucēi.**

Noteikumos minētais termins "elektroinstrumenti" nozīmē ar strāvu darbināmu (ar vadu aprīkotu) vai ar akumulatoru darbināmu (bezvadu) elektroinstrumentu.

#### 1) DROŠĪBA DARBA VIETĀ

- a) **Seko jiet, lai darba vieta būtu tīra un sakārtota.** Nekārtīgā darba vietā vai sliktā apgaismojumā var viegli notikt nelaimes gadījums.
- b) **Nelietojiet elektroinstrumentu eksplozīvu vai ugunsnedrošu vielu tuvumā un vietās ar paaugstinātu gāzes vai putekļu saturu gaisā.** Darba laikā instruments nedaudz dzirkstejo, un tas var izsaukt viegli degošu putekļu vai tvaiku aizdegšanos.
- c) **Lietojot elektroinstrumentu, neļaujiet nepiederošām personām un jo īpaši bērniem tuvoties darba vietai.** Citu personu klātbūtnē var novērst uzmanību, un tā rezultātā jūs varat zaudēt kontroli pār instrumentu.

#### 2) ELEKTRODROŠĪBA

- a) **Elektroinstrumenta kontaktdakšai jābūt piemērotai elektrotīkla kontaktligzdai. Kontaktdakšas konstrukciju nedrīkst nekādā veidā mainīt. Nelietojiet kontaktdakšas salāgotājus, ja elektroinstrumenti caur kabeli tiek savienoti ar aizsargzēmējuma ķēdi.** Neizmainītas konstrukcijas kontaktdakša, kas piemērota kontaktligzdai, ļauj samazināt elektriskā trieciena saņemšanas risku.

- b) **Darba laikā nepieskarieties sazēmētiem priekšmetiem, piemēram, caurulēm, radiatoriem, plītim vai ledusskapjiem.** Pieskaroties sazēmētām virsmām, pieaug risks saņemt elektrisko triecienu.
  - c) **Nelietojiet elektroinstrumentu lietus laikā, neturiet to mitrumā.** Mitrumam iekļūstot instrumentā, pieaug risks saņemt elektrisko triecienu.
  - d) **Nenesiet un nepiekariet elektroinstrumentu aiz elektrokabeļa. Neraujiet aiz kabeļa, ja vēlaties atvienot instrumentu no elektrotīkla kontaktligzdas. Sargājiet elektrokabeli no karstuma, eļļas, asām šķautnēm un instrumenta kustīgajām daļām.** Bojāts vai samezģojies elektrokabelis var būt par cēloni elektriskajam triecienam.
  - e) **Darbinot elektroinstrumentu ārpus telpām, izmantojiet tā pievienošanai vienīgi tādus pagarinātājkabeļus, kuru lietošana ārpus telpām ir atļauta.** Lietojot elektrokabeli, kas piemērots darbam ārpus telpām, samazinās risks saņemt elektrisko triecienu.
  - f) **Ja elektroinstrumentu tomēr nepieciešams lietot vietās ar paaugstinātu mitrumu, izmantojiet tā pievienošanai noplūdes strāvas aizsargreleju.** Lietojot noplūdes strāvas aizsargreleju, samazinās risks saņemt elektrisko triecienu.
- #### 3) PERSONISKĀ DROŠĪBA
- a) **Darba laikā saglabājiet paškontroli un rīkojieties saskaņā ar veselo saprātu.** Pārtrauciet darbu, ja jūtaties noguris vai atrodaties alkohola, narkotiku vai medikamentu izraisītā reibumā. Strādājot ar elektroinstrumentu, pat viens neuzmanības mirklis var būt par cēloni nopietnam savainojumam.
  - b) **Izmantojiet individuālos darba aizsardzības līdzekļus un darba laikā vienmēr nēsājiet aizsargbrilles.** Individuālo darba aizsardzības līdzekļu (putekļu maskas, neslīdošu apavu un aizsargķiveres vai ausu aizsargu) pielietošana atbilstoši elektroinstrumenta tipam un veicamā darba raksturam ļauj izvairīties no savainojumiem.
  - c) **Nepieļaujiet elektroinstrumenta patvaļīgu ieslēgšanos.** Pirms elektroinstrumenta pievienošanas elektrotīklam, akumulatora ievietošanas vai izņemšanas, kā arī pirms elektroinstrumenta pārnesšanas pārliecinieties, ka tas ir izslēgts. Pārnēsot elektroinstrumentu, ja pirksts atrodas uz ieslēdzēja, kā arī pievienojot to elektrobarošanas avotam laikā, kad elektroinstrumenti ir ieslēgts, var viegli notikt nelaimes gadījums.
  - d) **Pirms instrumenta ieslēgšanas neaizmirstiet izņemt no tā regulējošos instrumentus vai skrūvjatslēgas.** Patronatslēga vai skrūvjatslēga, kas instrumenta ieslēgšanas brīdī nav izņemta no tā, var radīt savainojumu.
  - e) **Strādājot ar elektroinstrumentu, ieturiet stingru stāju.** Darba laikā vienmēr saglabājiet līdzsvaru un centieties nepaslidēt. Tas atvieglos instrumenta vadību neparedzētās situācijās.
  - f) **Izvēlieties darbam piemērotu apģērbu.** Darba laikā nenēsājiet brīvi plandošas drēbes un rotaslietas. Netuviniet garus matus un drēbes elektroinstrumenta kustīgajām daļām. Vaļīgas drēbes, rotaslietas un garī mati var iekerties instrumenta kustīgajās daļās.



- g) **Ja elektroinstrumenta konstrukcija ļauj tam pievienot ārējo putekļu uzsūkšanas vai savākšanas/uzkrāšanas ierīci, sekojiet, lai tā tiktu pievienota elektroinstrumentam un pareizi darbotos.** Pielietojot putekļu uzsūkšanu vai savākšanu/uzkrāšanu, samazinās to kaitīgā ietekme uz strādājošās personas veselību.
- h) **Nepaļaujieties uz iemaņām, kas tiek iegūtas, bieži lietojot instrumentus, neieslīgstiet pašapmierinātībā un neignorējiet instrumenta drošas lietošanas principus.** Neuzmanīgas rīcības dēļ dažās sekundes daļās var gūt nopietnu savainojumu.
- 4) ELEKTROINSTRUMENTU LIETOŠANA UN APKOPE**
- a) **Nepārslodojiet elektroinstrumentu.** Katram darbam izvēlieties piemērotu instrumentu. Elektroinstrumentus darbosies labāk un drošāk pie nominālās slodzes.
- b) **Nelietojiet elektroinstrumentu, ja ir bojāts tā ieslēdzējs.** Elektroinstrumenti, ko nevar ieslēgt un izslēgt, ir bīstami lietošanai un to nepieciešams remontēt.
- c) **Pirms elektroinstrumenta apkopes, regulēšanas vai darbinstrumenta nomaīņas atvienojiet tā kontaktdakšu no barojošā elektrotīkla vai izņemiet no tā akumulatoru, ja tas ir izņemams.** Šādi iespējams samazināt elektroinstrumenta nejaušas ieslēgšanas risku.
- d) **Elektroinstrumentu, kas netiek darbināts, uzglabājiet piemērotā vietā, kur tas nav sasniedzams bērniem un personām, kuras neprot rīkoties ar instrumentu.** Ja elektroinstrumentu lieto nekompetentas personas, tas var apdraudēt cilvēku veselību.
- e) **Savlaicīgi apkalpojiet elektroinstrumentus un to piederumus.** Pārbaudiet, vai kustīgās daļas darbojas bez traucējumiem un nav iespīlētas, vai kāda no daļām nav salauzta vai bojāta, vai katra no tām pareizi funkcionē un pilda tai paredzēto uzdevumu. **Nodrošiniet, lai bojātās daļas tiktu savlaicīgi nomainītas vai remontētas pilnvarotā remontu darbnīcā.** Daudzi nelaimes gadījumi notiek tāpēc, ka elektroinstrumenti pirms lietošanas nav pienācīgi apkalpoti.
- f) **Savlaicīgi notīriet un uzasiniet griezošos darbinstrumentus.** Rūpīgi kopti instrumenti, kas apgādāti ar asiem griezējinstrumentiem, ļauj strādāt daudz ražīgāk un ir vieglāk vadāmi.
- g) **Lietojiet vienīgi tādus elektroinstrumentus, papildpiederumus, darbinstrumentus utt., kas paredzēti attiecīgajam pielietojuma veidam. Bez tam jāņem vērā arī konkrētie darba apstākļi un pielietojuma īpatnības.** Elektroinstrumentu lietošana citiem mērķiem, nekā to ir paredzējusi ražotājfirma, ir bīstama un var novest pie neparedzamām sekām.
- h) **Uzturiet elektroinstrumenta rokturus un noturvirsmas sausas un tīras, sargājiet tās no eļļas un smērvielām.** Slideni rokturi un noturvirsmas traucē efektīvi rīkoties ar elektroinstrumentu un to droši vadīt neparedzētās situācijās.
- 5) AKUMULATORA ELEKTROINSTRUMENTU LIETOŠANA**
- a) **Akumulatora uzlādei lietojiet tikai tādu uzlādes ierīci, ko ir ieteikusi elektroinstrumenta ražotājfirma.** Katra uzlādes ierīce ir paredzēta tikai noteikta tipa akumulatoram, un mēģinājums to lietot cita tipa

- akumulatoru uzlādei var novest pie uzlādes ierīces un/ vai akumulatora aizdegšanās.
- b) **Pievienojiet elektroinstrumentam tikai tādu akumulatoru, ko ir ieteikusi instrumenta ražotājfirma.** Cita tipa akumulatoru lietošana var novest pie elektroinstrumenta un/vai akumulatora aizdegšanās.
- c) **Laikā, kad akumulators ir atvienots no elektroinstrumenta, nepieļaujiet, lai tā kontakti saskartos ar saspraudēm, monētām, atslēgām, naglām, skrūvēm vai citiem nelieliem metāla priekšmetiem, kas varētu izraisīt īsslēgumu.** Īsslēgums starp akumulatora kontaktiem var izsaukt tā aizdegšanos un būt par cēloni ugunsgrēkam.
- d) **Nepareizi lietojot akumulatoru, no tā var izplūst šķidrās elektrolīts. Nepieļaujiet, ka elektrolīts nonāktu saskarē ar ādu. Ja tas tomēr nejauši ir noticis, noskalojiet elektrolītu ar ūdeni. Ja elektrolīts nonāk acīs, nekavējoties griezieties pie ārsta.** No akumulatora izplūdušais elektrolīts var izsaukt ādas iekaisumu vai pat apdegumu.
- e) **Nelietojiet akumulatoru vai elektroinstrumentu, ja tas ir bojāts vai modificēts.** Bojāti vai modificēti akumulatori var radīt neparedzētas situācijas, kuru rezultātā var notikt aizdegšanās vai sprādziens, kā arī var rasties savainojuma risks.
- f) **Neturiet elektroinstrumentu vai akumulatoru uguns tuvumā vai vietā ar augstu temperatūru.** Elektroinstrumenta vai akumulatora atrašanās uguns tuvumā vai vietā, kur temperatūra pārsniedz 130°C, var izraisīt sprādzienu.
- g) **Levērojiet visas uzlādes instrukcijas un neuzlādējiet akumulatoru vai elektroinstrumentu pie temperatūras, kas atrodas ārpus instrukcijā norādīto pieļaujamo temperatūras vērtību diapazona robežām.** Uzlādējot akumulatoru neatbilstošā veidā vai pie temperatūras, kas atrodas ārpus pieļaujamo temperatūras vērtību diapazona robežām, tas var tikt bojāts, kā arī var pieaugt aizdegšanās risks.
- 6) APKALPOŠANA**
- a) **Nodrošiniet, lai Instrumenta remontu veiktu kvalificēts personāls, nomaīnai izmantojot oriģinālās rezerves daļas un piederumus.** Tikai tā iespējams panākt instrumenta ilgstošu un nevainojamu darbību bez atteikumiem.
- b) **Nekādā gadījumā neveiciet bojātu akumulatoru apkalpošanu.** Akumulatoru apkalpošanu drīkst veikt tikai ražotājfirma vai pilnvarots servisa speciālists.

## **DROŠĪBAS NORĀDĪJUMI BEZVADU AKUMULATORA TRIECIENSKRŪVGRIEZĪEM**

- **Veicot darbu, kura laikā stiprinājums var skart slēptus elektriskos vadus, turiet instrumentu tikai aiz izolētajām virsmām** (stiprinājumiem skarot spriegumnesošus vadus, spriegums nonāk arī uz instrumenta metāla daļām un var izraisīt elektrisku triecienu)
- VISPĀRĒJA INFORMĀCIJA**
- **Materiāla, piemēram svīnu saturošas krāsas, dažu koka šķirņu, minerālu un metāla, putekļi var būt kaitīgi** (saskare ar putekļiem vai to ieelpošana var izraisīt alerģiskas reakcijas un/vai elpošanas ceļu saslimšanas operatoram

vai klātesošajiem); **izmantojiet putekļu masku un putekļsūcēju, ja to iespējams pievienot**

- Dažu veidu putekļi ir klasificēti kā kancerogēni (piemēram, ozola vai dižskābarža putekļi), jo īpaši apvienojumā ar koksnes kondicionēšanas piedevām; **izmantojiet putekļu masku un putekļsūcēju, ja to iespējams pievienot**
- Ievērojiet ar putekļu savākšanu saistītos nacionālos noteikumus, kas attiecas uz apstrādājamajiem materiāliem
- **Neapstrādājiet materiālus, kas satur azbestu** (azbestam piemīt kancerogēnas īpašības)
- Pirms regulēšanas vai piederumu nomaiņas, kā arī, pārnesot vai uzglabājot instrumentu, pārliecinieties, ka tā pārslēdzējs B ② atrodas vidējā (neitrālā) stāvoklī

#### PIEDERUMI

- Firma SKIL garantē instrumenta nevainojamu darbību tikai tad, ja tiek lietoti oriģinālie papildpiederumi
- Lietojiet tikai tādus darbinstrumentus, kuru pieļaujamais darbības ātrums ir vismaz tikpat liels, kā instrumenta maksimālais brīvgaitas ātrums

#### PIRMS DARBA UZSĀKŠANAS

- Izvairieties no instrumenta bojājumiem, ko var radīt apstrādājamajā priekšmetā esošās skrūves, naglas vai citi līdzīgi objekti; pirms darba uzsākšanas atbrīvojiet apstrādājamo materiālu no šādiem priekšmetiem
- **Nostipriniet apstrādājamo detaļu** (to ir drošāk nostiprināt ar spaiļiem vai skrūvspilēm, nevis turēt rokā)
- **Ar piemērota metālmeklētāja palīdzību pārbaudiet, vai apstrādes vietu nešķērso slēptas elektropārvades līnijas, kā arī gāzes vai ūdens caurules; šaubu gadījumā griezieties vietējā komunālās saimniecības iestādē** (darbinstrumentam skarot elektrotīkla fāzes līniju, var izcelties ugunsgrēks un strādājošais var saņemt elektrisko triecienu; gāzes vada bojājums var izraisīt sprādzienu; darbinstrumentam skarot ūdensvada cauruli, var tikt bojātas materiālās vērtības un strādājošais var saņemt elektrisko triecienu)

#### AKUMULATORI

- **Komplektā iekļautais akumulators, ja tāds ir, nav pilnībā uzlādēts** (lai nodrošinātu pilnu akumulatora jaudu, pirms elektroinstrumenta pirmās izmantošanas reizes uzlādējiet to pilnībā, izmantojot uzlādes ierīci)
- **Izmantojiet tikai instrumenta piegādes komplektā ietilpstošos akumulatorus un uzlādes ierīces**
  - SKIL akumulators: BR1\*31\*\*\*\*
  - SKIL uzlādes ierīce: CR1\*31\*\*\*\*
- Nelietojiet bojātu akumulatoru; tas nekavējoties jānomaina
- Neizjauciet akumulatoru
- Neatstājiet instrumentu/akumulatoru lietū
- Pieļaujamā apkārtējā gaisa temperatūra (instruments/lādētājs/akumulators):
  - uzlādes laikā 4...40°C
  - darba laikā -20...+50°C
  - uzglabāšanas laikā -20...+50°C

#### UZ INSTRUMENTA/AKUMULATORA ATTĒLOTO SIMBOLU SKAIDROJUMS

- ③ Pirms izstrādājuma lietošanas izlasiet tā lietošanas pamācību
- ④ Nekādā gadījumā neievietojiet akumulatoru ugunī, jo tas var izraisīt sprādzienu
- ⑤ Uzglabājiet instrumentu, uzlādes ierīci un akumulatoru vietā, kur temperatūra nepārsniedz 50°C
- ⑥ Neizmetiet elektroiekārtas un baterijas ar sadzīves

materiālus atkritumu

## DARBS

- Kombinētais ieslēdzējs un darbvārpstas griešanās ātruma regulēšana A ⑦
  - izmainot spiedienu uz ieslēdzēju A ⑧, plūstoši regulējiet darbvārpstas griešanās ātrumu no nulles vērtības līdz maksimālajai
- Akumulatora uzlādēšana
  - ! **izlasiet uzlādes ierīces komplektā iekļautos drošas lietošanas noteikumus un norādījumus**
- Akumulatora izņemšana/ievietošana ②
- Akumulatora uzlādes pakāpes indikators ④
  - lai uzzinātu akumulatora uzlādes līmeni ⑨3, nospiediet akumulatora līmeņa rādītāja pogu G
  - ! **ja pēc pogas G ⑨b nospiešanas sāk mirgot zemākā akumulatora līmeņa rādītāja iedaļa, akumulators ir tukšs**
  - ! **ja pēc pogas G ⑨c nospiešanas sāk mirgot akumulatora līmeņa rādītāja iedaļas 2, akumulatora temperatūra ir ārpus atļautā darba diapazona**
- Akumulatora aizsardzība
  - lerīce tiek tūlīt izslēgta vai arī to nav iespējams ieslēgt, ja
    - **slodze ir pārāk liela** --> samaziniet slodzi un ieslēdziet to no jauna
    - **akumulatora temperatūra ir ārpus atļautā darba diapazona no -20 līdz +50 °C** --> nospiežot pogu G ⑨c, sāk mirgot akumulatora 2 līmeņa rādītāja iedaļas; pagaidiet, līdz akumulatora temperatūra atkal ir atļautajā darba diapazonā
    - **akumulators ir gandrīz tukšs (aizsardzībai pret pilnīgu izlādi)** --> nospiežot pogu G, akumulatora līmeņa rādītājā ir attēlota zemākā akumulatora līmeņa rādītāja iedaļa vai mirgojoša zemākā akumulatora līmeņa rādītāja iedaļa ⑨b; uzlādējiet akumulatoru
    - ! **pēc instrumenta automātiskas izslēgšanās nedrīkst spiest tā ieslēdzēju, jo tā var sabojāt akumulatoru**
- LED gaisma ⑩
  - Ieslēdzot ieslēgšanas/izslēgšanas slēdzi, automātiski iedegas LED gaisma
    - ! **LED gaismai sākot mirgot, tiek aktivizēta akumulatora aizsardzība (skatīt zemāk)**
- Uzgaļu uzstādīšana un noņemšana
  - lai uzstādītu uzgali, pavelciet fiksējošo uznavu C uz priekšu, ievietojiet uzgali līdz atdurei uzgaļa turētājā un atbrīvojiet fiksējošo uznavu C, lai nofiksētu uzgali. (⑪a ⑪b ⑪c)
  - ! **pavelciet uzgali uz priekšu, lai pārbaudītu, vai tas ir nofiksēts (⑪d)**
  - lai izņemtu uzgali, pavelciet fiksējošo uznavu C uz priekšu
  - ! **izmantojiet tikai uzgaļus ar sfērisko sprūdu, citus uzgaļus var izmantot, ja lieto universālo uzgaļu turētāju ar sfērisko sprūdu**
  - ! **neizmantojiet uzgaļus ar bojātu kakliņu**
- Griešanās virziena pārslēgšana ⑫
  - ja darbvārpstas griešanās virziena pārslēdzējs nav precīzi iestādīts galējā labējā/kreisajā stāvoklī, ieslēdzēju A ② nav iespējams nospiegt
  - ! **pārslēdziet darbvārpstas griešanās virziena tikai tad, kad instruments ir pilnībā apstājies**

- Režīma pārslēgšana ⑬
  - nospiediet ātruma izvēles pogu E, lai izvēlētos nepieciešamo pieskrūvēšanas režīmu, ja instrumenta rotācija ir iestatīta virzienā uz priekšu vai atpakaļgaitā:
- **Neliela ātruma režīms (L) ⑬a**
  - pieskrūvēšana vai atskrūvēšana ar mazāku spēku un mazāku ātrumu
  - mazākām skrūvēm
- **Liela ātruma režīms (H) ⑬b**
  - pievelk vai atskrūvēšana ar lielu spēku un ātrumu
  - lielām skrūvēm un bultskrūvēm
- **Kontroles režīms (H) ⑬c**
  - lēnām ieslēgt, lai palīdzētu ieskrūvēt skrūvi kokā
  - kad skrūve ir ieskrūvēta, automātiski tiek palielināts ātrums
  - garām skrūvēm, sevišķi PHILLIPS/POZIDRIV skrūvēm
- **! kontroles režīms ir pieejams, tikai veicot rotāciju uz priekšu; veicot reverso rotāciju, ierīce darbojas ar vidēju ātrumu**
- **! režīmus iespējams mainīt, tikai viegli nospiežot ieslēgšanas/izslēgšanas slēdzi (ieslēdzas zaļā(s) LED lampiņa(s)) un pēc tam, kad ierīce ir pilnībā izslēgta**
- Instrumenta turēšana un vadīšana ⑭
  - **! darba laikā vienmēr turiet instrumentu aiz pelēkās krāsas noturvirsmas(ām)**
  - nenosprostojiet instrumenta ventilācijas atveres D ②
  - darba laikā pārlieku nespiediet instrumentu; ļaujiet tam darboties nominālā režīmā

## PRAKTISKI PADOMI

- Lietojiet tikai tādus darbinstrumentus, kuru tips atbilst apstrādājamajam materiālam
- Veicot skrūves ieskrūvēšanu tuvu koka priekšmeta vai konstrukcijas malai, vispirms ieteicams ieurbt atvērums, lai novērstu koksnes plaisāšanu
- Veicot skrūves ieskrūvēšanu cietā koksne, vispirms ieurbiet atvērums
- Nepieskrūvējiet skrūvi pārāk stipri. Triecienskrūvgrieža spēks var pārlauzt stiprinājumu. Turiet instrumentu vienā līmenī ar skrūvi, lai nesabojātu stiprinājuma galviņu.
- Griezes moments ir atkarīgs no triecienu ilguma. Maksimālais griezes moments tiek sasniegts pēc 6-10 sekunžu ilgas trieciendarbības.
  - **! vienmēr pārbaudiet griezes momentu, izmantojot dinamometrisko atslēgu**
- Lai instruments tiktu izmantots optimālā režīmā, ieturiet pastāvīgu spiedienu uz skrūves galvu, īpaši tad, kad tiek noņemts stiprinājums.
- Papildu informāciju skatīt tīmekļa vietnē [www.skil.com](http://www.skil.com)

## APKALPOŠANA / APKOPE

- Vienmēr uzturiet instrumentu tīru (īpaši ventilācijas atveres D ②)
  - **! pirms tīrīšanas izņemiet no instrumenta akumulatoru**
- Ja, neraugoties uz augsto izgatavošanas kvalitāti un rūpīgo pērcražošanas pārbaudi, instruments tomēr sabojājas, tas jānogādā remontam firmas SKIL pilnvarotā elektroinstrumentu remonta darbnīcā
  - nogādājiet instrumentu **neizjauktā veidā** kopā ar iegādes dokumentiem tuvākajā tirdzniecības vietā vai firmas SKIL pilnvarotā pēciegādes apkalpošanas

un remonta iestādē (adrese un instrumenta apkalpošanas shēma ir sniegta interneta vietnē [www.skil.com](http://www.skil.com))

- Ievērojiet, ka garantijā neietilpst pārslodzes vai nepareizas instrumenta ekspluatācijas izraisītie bojājumi (SKIL garantijas noteikumus skatiet [www.skil.com](http://www.skil.com) vai vērsieties pie izplatītāja)

## APKĀRTĒJĀS VIDES AIZSARDZĪBA

- **Neizmetiet elektroiekārtas, baterijas, piederumus un iesaiņojuma materiālus sadzīves atkritumos** (tikai ES valstīm)
  - saskaņā ar Eiropas Savienības direktīvu 2012/19/ES par nolietotajām elektriskajām un elektroniskajām iekārtām un tās atspoguļojumiem nacionālajā likumdošanā, nolietotās elektroiekārtas ir jāsavāc, jāizjauc un jānogādā atbilstoši pārstrādei apkārtējai videi nekaitīgā veidā
  - īpašs simbols ⑥ atgādina par nepieciešamību izstrādājumus izmantot videi nekaitīgā veidā
- **! pirms akumulatora utilizācijas tā kontakti jāaplīmē ar izolācijas lenti, lai nepieļautu īssavienojuma rašanos starp tiem**

## TROKSNIS / VIBRĀCIJA

- Veicot mērījumus atbilstoši EN 62841, šī instrumenta akustiskā spiediena līmenis ir 78 dB(A), akustiskās jaudas līmenis ir 86 dB(A) (nenoiteiktība K = 3 dB), bet vibrācija <2,5 m/s<sup>2</sup> (triaksiālā vektora summa; nenoiteiktība K = 1,5 m/s<sup>2</sup>)
- Vibrācijas līmenis ir noteikts, izmantojot standartā EN 62841 paredzēto procedūru; to var izmantot, lai salīdzinātu instrumentus un provizoriski izvērtētu vibrācijas iedarbību, lietojot instrumentu minētajiem mērķiem
  - instrumenta izmantošana citiem mērķiem vai ar citiem vai nepietiekami koptiem piederumiem var ievērojami **palielināt** kopējo vibrācijas iedarbības pakāpi
  - laika periodi, kad instruments ir izslēgts vai arī ir ieslēgts, taču darbs ar to nenotiek, var ievērojami **samazināt** kopējo vibrācijas iedarbības pakāpi
- **! pasargājiet sevi no vibrācijas iedarbības, veicot instrumenta un tā piederumu tehnisko apkopi, novēršot roku atdzišanu un pareizi organizējot darbu**

LT

## Bešepetis akumulatorinis smūginis suktuvas

3211

### ĪVADAS

- Šis įrankis skirtas įgręžti ir atlaisvinti varžtams
  - Patikrinkite, ar pakuotėje yra visos ② paveiksle pavaizduotos dalys.
  - Jei trūksta kokių nors dalių ar jos pažeistos, kreipkitės į įrankio pardavėją.
- Perskaitykite ir išsaugokite šią naudojimo instrukciją ③.
  - **Ypatingą dėmesį atkreipkite į saugos instrukcijas ir įspėjimus; jei nepaisysite šių nurodymų, galite**

sunkiai susižaloti.

## TECHNINIAI DUOMENYS ①

Maks. sukimo momentas kietosios jungties atveju pagal ISO 5393 : 250Nm

## PRIETAISO ELEMENTAI ②

- A Jungtiklis įjungimui/išjungimui ir greičiui valdyti
- B Sukimosi krypties perjungiklis
- C Užraktinis žiedas
- D Ventiliacinės angos
- E Greičio mygtukas
- F LED lemputė
- G Akumulatoriaus įkrovos indikatorius
- H 50mm atsuktuvo antgalis

## SAUGA

### BENDRIEJI ELEKTRINIŲ ĮRANKIŲ SAUGOS ĮSPĖJIMAI

**⚠ ĮSPĖJIMAS** Perskaitykite visus su šiuo elektriniu prietaisu pateiktus saugos perspėjimus, instrukcijas, paveikslėlius ir specifikacijas. Nepaisant toliau pateiktų instrukcijų galite patirti elektros smūgį, įvykti gaisras ir / ar patirti rimtų sužalojimų.

**Išsaugokite visus įspėjimus ir instrukcijas ateičiai.**

Terminas „elektros įrankis“ įspėjimuose reiškia jūsų iš elektros tinklo (laidais) maitinamus įrankius arba elektros įrankius, veikiančius nuo baterijų (beleidžius).

#### 1) DARBO VIETOS SAUGUMAS

- a) **Darbo vieta turi būti švari ir tvarkinga.** Netvarka ar blogai apšviesta darbo vieta gali tapti nelaimingų atsitikimų priežastimi.
- b) **Nedirbkite tokioje aplinkoje, kur yra degių skysčių, dujų ar dulkių.** Elektriniai įrankiai gali kibirkščiuoti, o nuo kibirkščių dulkės arba susikaupę garai gali užsidegti.
- c) **Dirbdami su elektriniu įrankiu neleiskite šalia būti žiūrovams, vaikams ir lankytojams.** Nukreipę dėmesį į kitus asmenis galite nebesuvaldyti prietaiso.

#### 2) ELEKTROSAUGA

- a) **Maitinimo laido kištukas turi atitikti tinklo rozetės tipą.** Kištuko jokiū būdu negalima modifikuoti. **Nenaudokite jokių kištuko adapterių su žemintais prietaisais.** Originalūs kištukai, tiksliai tinkantys elektros tinklo rozetei, sumažina elektros smūgio pavojų.
- b) **Venkite kūno kontakto su žemintais paviršiais, tokiais kaip vamzdžiai, šildytuvai, viryklės ar šaldytuvai.** Egzistuoja padidinta elektros smūgio rizika, jei Jūsų kūnas bus žemintas.
- c) **Saugokite prietaisą nuo lietaus ir drėgmės.** Jei vanduo patenka į elektrinį prietaisą, padidėja elektros smūgio rizika.
- d) **Nenaudokite maitinimo laido ne pagal paskirtį, t. y. neneškite prietaiso paėmę už laido, nekabinkite prietaiso už laido, netraukite už jo, norėdami išjungti kištuką iš rozetės.** Laidą klokite taip, kad jo neveiktų karštis, jis neišsitemptų alyva ir jo nepažeistų aštrios detalės ar judančios prietaiso dalys. Pažeisti arba susipynę laidai gali tapti elektros smūgio priežastimi.

- e) **Jeigu su elektriniu įrankiu dirbate lauke, naudokite tik tokius ilginimo kabelius, kurie tinka lauko darbams.** Naudojant lauko darbams pritaikytus ilginimo kabelius, sumažinamas elektros smūgio pavojus.
- f) **Jeigu su elektriniu įrankiu neįsivengiamai reikia dirbti drėgnoje aplinkoje, naudokite įžeminimo grandinės pertraukiklį.** Naudojant įžeminimo grandinės pertraukiklį, sumažėja elektros smūgio pavojus.
- 3) ŽMONIŲ SAUGA**
  - a) **Būkite atidūs, sutelkite dėmesį į tai, ką Jūs darote ir, dirbdami su elektriniu įrankiu, vadovaukitės sveiku protu.** Nedirbkite su prietaisu, jei esate pavargę arba vartojote narkotikus, alkoholį ar medikamentus. Akimirksnio neatidumas naudojant prietaisą gali tapti rimtų sužalojimų priežastimi.
  - b) **Naudokite asmenines apsaugos priemones ir visuomet užsidėkite apsauginius akinius.** Naudojant asmenines apsaugos priemones, pvz., respiratorių ar apsauginę kaukę, neslystančius batus, apsauginį šalną, klausos apsaugos priemones ir kt., rekomenduojamas dirbant su tam tikros rūšies įrankiais, sumažėja rizika susižeisti.
  - c) **Saugokitės, kad neįjungtumėte prietaiso atsitiktinai. Prieš prijungdami elektrinį įrankį prie elektros tinklo ir/arba akumulatoriaus, prieš pakeldami ar nešdami įsitikinkite, kad jis yra išjungtas.** Jeigu nešdami elektrinį įrankį pirštą laikysite ant jungtiklio arba prietaisą įjungsitė į elektros tinklą, kai jungtiklis yra įjungtas, gali įvykti nelaimingas atsitikimas.
  - d) **Prieš įjungdami prietaisą pašalinkite reguliavimo įrankius arba veržlių raktus.** Prietaiso besisukančioje dalyje esantis įrankis ar raktas gali tapti sužalojimų priežastimi.
  - e) **Nepervertinkite savo galimybių. Dirbdami atsistokite patikimai ir visada išlaikykite pusiausvyrą.** Patikima stovėseną ir tinkamą kūno laikyseną leis geriau kontroliuoti prietaisą netikėtose situacijose.
  - f) **Dėvėkite tinkamą aprangą. Nedėvėkite plačių drabužių ir papuošalų. Saugokite plaukus ir drabužius nuo besisukančių elektrinio įrankio dalių.** Laisvus drabužius, papuošalus bei ilgus plaukus gali įtraukti besisukančios dalys.
  - g) **Jeigu yra numatyta galimybė prijungti dulkių nusiurbimo ar surinkimo įrenginius, visada įsitikinkite, ar jie yra prijungti ir ar teisingai naudojami.** Naudojant dulkių nusiurbimo įrenginius sumažėja kenksmingas dulkių poveikis.
  - h) **Dažnai naudodami įrankį ir gerai su juo susipažinę pernelyg neatsipalaiduokite ir nepradėkite nepaisyti įrankio saugos principų.** Neatidus veiksmas gali sukelti sunkią traumą per sekundės dalį.
- 4) RŪPESTINGA ELEKTRINIŲ ĮRANKIŲ PRIEŽIŪRA IR NAUDOJIMAS**
  - a) **Neperkraukite prietaiso. Naudokite Jūsų darbui tinkamą elektrinį įrankį.** Su tinkamu elektriniu įrankiu Jūs dirbsite geriau ir saugiau, jei neviršysite nurodyto galingumo.
  - b) **Nenaudokite elektrinio įrankio su sugedusiu jungikliu.** Elektrinis įrankis, kurio nebegalima įjungti ar išjungti, yra pavojingas ir jį reikia remontuoti.
  - c) **Prieš reguliuodami prietaisą, keisdami darbo įrankius ar prieš valydami prietaisą, iš elektros tinklo lizdo ištraukite kištuką ir/arba išimkite**

- akumuliatorių, jeigu jis išimamas. Ši saugumo priemonė apsaugos jus nuo netikėto prietaiso įsijungimo.
- d) **Nenaudojamą prietaisą sandėliuokite vaikams ir nemokantiems juo naudotis asmenims neprieinamoje vietoje.** Elektriniai įrankiai yra pavojingi, kai juos naudoja nepatyrę asmenys.
  - e) **Pržiūrėkite elektrinį įrankį ir priedus.** Tikrinkite, ar besisukančios prietaiso dalys tinkamai veikia ir niekur nekliūva, ar nėra sulūžusių ar šiaip pažeistų dalių, kurios įtakotų prietaiso veikimą. Prieš vėl naudojant prietaisą pažeistos prietaiso dalys turi būti suremontuotos. Daugelio nelaimingų atsitikimų priežastis yra blogai pržiūrimi elektriniai įrankiai.
  - f) **Pjovimo įrankiai turi būti aštrūs ir švarūs.** Rūpestingai pržiūrėti pjovimo įrankiai su aštriomis pjaunamosiomis briaunomis mažiau stringa ir juos yra lengviau valdyti.
  - g) **Elektrinį įrankį, papildomą įrangą, darbo įrankius ir t. t. naudokite taip, kaip nurodyta šioje instrukcijoje. Taip pat atsivėlkite į darbo sąlygas bei atliekamo darbo pobūdį.** Naudojant elektrinius įrankius ne pagal jų paskirtį galima sukelti pavojingas situacijas.
  - h) **Rankenos ir suėmimo paviršiai turi būti sausi, švarūs, ant jų neturi būti alyvos ir tepalų.** Dėl slidžių rankenų ir suėmimo paviršių negalėsite saugiai išlaikyti ir suvaldyti įrankio netikėtose situacijose.
  - 5) **RŪPESTINGA AKUMULIATORINIŲ ĮRANKIŲ PRIEŽIŪRA IR NAUDOJIMAS**
    - a) **Akumulatoriaus krovimui naudoti tik tuos įkroviklius, kuriuos rekomenduoja gamintojas.** Naudojant kitokio tipo akumulatoriams skirtą įkroviklį, kyla gaisro pavojus.
    - b) **Su prietaisu galima naudoti tik jam skirtą akumuliatorių.** Naudojant kitokius akumuliatorius atsiranda pavojus susižeisti bei sukelti gaisrą.
    - c) **Nelaikykite sąvaržėlių, monetų, raktų, vinių, varžtų ar kitokių metalinių daiktų arti ištraukto iš instrumento akumulatoriaus kontaktų.** Užtrumpinus akumulatoriaus kontaktus galima nusideginti ar sukelti gaisrą.
    - d) **Netinkamai naudojant akumuliatorių, iš jo gali ištekėti skystis. Venkite kontakto su šiuo skysčiu. Jei skystis pateko ant odos, nuplaukite jį vandeniu, jei pateko į akis - nedelsiant kreipkitės į gydytoją.** Akumulatoriaus skystis gali sukelti odos sudirginimą ar nudegimus.
    - e) **Nenaudokite pažeisto arba perdaryto akumulatoriaus arba įrankio.** Sugadinti arba perdaryti akumulatoriai gali veikti nenusipėjamai – sukelti gaisrą, sprogimą arba traumų pavojų.
    - f) **Saugokite akumuliatorių arba įrankį nuo ugnies ir aukštos temperatūros.** Patekęs į ugnį arba aukštesnę nei 130°C temperatūrą, jis gali sprogti.
    - g) **Vykdykite visas įkrovimo instrukcijas ir nekraukite akumulatoriaus arba įrankio temperatūroje, neatitinkančioje instrukcijose nurodyto temperatūros diapazono ribų.** Netinkamai kraunant arba jeigu temperatūra neatitinka nurodyto diapazono ribų, gali sugesti akumulatorius ir kilti gaisras.
  - 6) **APTARNAVIMAS**
    - a) **Prietaisą turi remontuoti tik kvalifikuotas specialistas ir naudoti tik originalias atsargines dalis.** Taip galima garantuoti, jog prietaisas išliks saugus.

- b) **Niekada neatlikite pažeisto akumulatoriaus techninės priežiūros.** Akumuliatorių techninę priežiūrą turi atlikti tik gamintojas arba įgaliotasis techninės priežiūros atstovas.

## AKUMULIATORINIO SMŪGINIO SUKTUVO SAUGOS INSTRUKCIJOS

- **Jei atliekate darbus, kurių metu darbo įrankis gali kliudyti paslėptus elektros laidus, tuomet elektrinį įrankį laikykite už izoliuotų rankenų paviršių** (palietus tvirtinimo detales, kuriomis teka elektros srovė, metalinėse elektrinio įrankio dalyse gali atsirasti įtampa ir išžioti elektros smūgis)

### BENDROJI DALIS

- Kai kurių medžiagų, kaip antai dažų, kurių sudėtyje yra švino, kai kurių medžių rūšių medienos, mineralų ir metalo dulkės gali būti kenksmingos (kontaktas su šiomis dulkelėmis arba įkvėptos dulksės gali sukelti operatoriumi arba šalia esantiems žmonėms alergines reakcijas ir/arba kvėpavimo sistemos susirgimus); **mūvėkite priešdulkinę puskaukę arba dirbdami naudokite dulkių ištraukimo įrenginį, jei jį galima prijungti**
- Kai kurių rūšių dulksės priskiriamos kancerogeninėms (pvz., ažuolo arba buko medienos dulksės), ypač susimaišiusios su medienos taurinimi naudojamais priedais; **mūvėkite priešdulkinę puskaukę arba dirbdami naudokite dulkių ištraukimo įrenginį, jei jį galima prijungti**
- Vadovaukitės Jūsų šalyje taikomų direktyvų reikalavimais, skirtais medžiagoms, su kuriomis norite dirbti
- **Draudžiama apdirbti medžiagas, kurių sudėtyje yra asbesto** (asbestas pasižymi vėžį sukeliančiu poveikiu)
- Prieš atliekant bet kokius prietaiso aptarnavimo darbus ar keičiant priedus, jį transportuojant ir sandėliuojant, būtina nustatyti sukimosi krypties jungiklį B ② į vidurinę padėtį (įjungimo blokavimas)

### PRIEDAI

- SKIL gali garantuoti nepriekaištingą prietaiso veikimą tik tuo atveju, jei naudojama originali papildoma įranga ir priedai
- Leidžiama naudoti tik tokius įrankius, kurių maksimalus leistinas apsisukimų skaičius yra ne mažesnis, nei maksimalus Jūsų prietaiso sukūpi skaičius

### PRIEŠ EKSPLOATACIJĄ

- Saugokite, kad nepažeistumėte prietaiso į ruošinyje esančius varžtus, vinius ir pan; prieš pradėdami darbą juos pašalinkite
- **Saugiai laikykite tvirtinamą dirbinį** (dirbinį, kuris segamas ar kalamas kabių kalimo įrankiais, saugiau laikyti spaustuviu nei ranka)
- **Naudodami tam skirtus paieškos prietaisus, patikrinkite, ar gręžimo vietoje nėra paslėptų komunalinių tinklų vamzdžių, arba pasikvieskite į pagalbą vietinius komunalinių paslaugų tiekėjus** (kontaktas su elektros laidais gali sukelti gaisro bei elektros smūgio pavojų; pažeidus dujotiekio vamzdį, gali įvykti sprogimas; pažeidus vandentiekio vamzdį, galima pridaryti daugybę nuostolių bei sukelti elektros smūgio pavojų)

### AKUMULIATORIAI

- **Pridedama baterija yra iš dalies įkrauta** (norint užtikrinti baterijos galingumą, visiškai įkraukite bateriją įkroviklyje prieš pirmą kartą naudodami elektrinį įrankį)
- **Naudokite tik tokias kartu su šiuo prietaisu**

### tiekiamas baterijas

- „SKIL“ baterija: BR1\*31\*\*\*\*
- „SKIL“ įkroviklis: CR1\*31\*\*\*\*
- Nenaudokite pažeistų akumuliatorių baterijų, jas būtina tuoj pat pakeisti
- Negalima išmontuoti baterijos
- Jokių būdu nepalikite prietaiso / baterijų, kai lyja
- Leidžiamoji aplinkos temperatūra (prietaiso/kroviklio/akumuliatorių):
  - įkraunant 4...40°C
  - įrankiui veikiant -20...+50°C
  - sandėliuojant -20...+50°C

### ANT PRIETAISO/BATERIJOS ESANČIŲ SIMBOLIŲ REIKŠMĖS

- ③ Prieš naudodami įrankį perskaitykite instrukcijų vadovą
- ④ Įmesti į ugnį akumuliatoriai sprogs, jų nedeginkite jokiais sumetimais
- ⑤ Patalpos, kurioje laikomas prietaisas, akumuliatorių kroviklis ar akumuliatorius, temperatūra neturi viršyti 50°C
- ⑥ Nemeskite elektrinių įrankių ir baterijos į buitinių atliekų konteinerius

### NAUDOJIMAS

- Jungiklis yra skirtas įjungti ir išjungti prietaisą bei reguliuoti greitį A ⑦
  - stipriau ar silpniau spaudžiant jungiklį A ⑧, apsisukimų skaičių galima sklandžiai reguliuoti nuo 0 iki maksimalaus
- Akumuliatoriaus įkrovimas
  - ! **Skaitykite saugos įspėjimus ir instrukcijas, pateiktas kartu su įkrovikliu**
- Baterijų išėmimas ir įdėjimas ②
- Akumuliatoriaus įkrovos indikatorius ⑨
  - paspaudus akumuliatoriaus įkrovos lygio indikatorius mygtuką G rodomas esamas akumuliatoriaus įkrovos lygis, ⑨ u pav.
  - ! **jei paspaudus mygtuką G ima mirksėti žemiausio akumuliatoriaus įkrovos lygio indikatorius, kaip parodyta ⑨ b pav., akumuliatorius yra išsikrovęs**
  - ! **jei paspaudus mygtuką G ima mirksėti 2 akumuliatoriaus įkrovos lygio indikatorius segmentai, kaip parodyta ⑨ c pav., akumuliatoriaus temperatūra yra už leidžiamosios darbinės temperatūros intervalo ribų**
- Akumuliatoriaus apsauga
  - Prietaisas staiga išsijungia arba jo nepavyksta įjungti, jei
    - **apkrova yra per didelė** --> pašalinkite apkrovą ir vėl paleiskite prietaisą
    - **akumuliatoriaus temperatūra nepatenka į leidžiamosios darbinės temperatūros intervalą (nuo -20 iki 50 °C)** --> paspaudus mygtuką G ima mirksėti 2 akumuliatoriaus įkrovos lygio indikatorius segmentai, kaip parodyta ⑨ c pav.; palaukite, kol akumuliatoriaus temperatūra grįš į leidžiamosios darbinės temperatūros intervalą
    - **akumuliatorius beveik išsikrovęs (apsauga nuo visiško išsikrovimo)** --> paspaudus mygtuką G įsižiūbėb arba mirksi žemo akumuliatoriaus įkrovos lygio indikatorius, kaip parodyta ⑨ b pav.; pakeiskite akumuliatorių
  - ! **jei instrumentas išsijungė automatiškai, nelaikykite nuspaudę jo jungiklio, nes taip galima**

### sugadinti akumuliatorių

- LED lemputė ⑩
  - LED lemputė užsidega automatiškai, įjungus įjungimo ir išjungimo jungiklį.
  - ! **Jei LED lemputė pradeda mirksėti, tai reiškia, kad suveikė baterijos apsauga (žr. pirmiau).**
- Antgalių įstatymas ir nuėmimas:
  - norėdami įstatyti antgalį, patraukite tvirtinimo movą C į priekį, įstatykite antgalį į laikiklį ir atleiskite tvirtinimo movą C, kad antgalis užsifiuksuotų. (⑩ a ⑩ b ⑩ c)
  - ! **patraukite antgalį į priekį ir patikrinkite, ar jis užfiksuotas (⑩ d)**
  - norėdami išimti antgalį, patraukite tvirtinimo movą C į priekį.
  - ! **Naudokite tik antgalius su rutuline tvirtinimo detale. Kitus antgalius galima naudoti įstačius į universalų laikiklį su rutuline tvirtinimo detale.**
  - ! **Nenaudokite antgalių su pažeistu kotu.**
- Sukimosi krypties perjungiklis ⑫
  - kol šis perjungiklis neužsifiuksavo kairėje arba dešinėje padėtyje, negalėsite nuspausti jungiklio A ②
  - ! **sukimosi kryptį perjungti tik prietaisui visiškai sustojus**
- Režimo pasirinkimas ⑬
  - paspauskite greičio mygtuką E, kad pasirinktumėte norimą priveržimo arba atsukimo režimą, kai įrankis nustatytas sukitis pirmyn arba atgal:
  - ! **Mažo greičio režimas (L) ⑬ a**
    - priveržimas arba atlaisvinimas mažesne jėga ir nedideliu greičiu
    - mažesniems sraigtams
  - ! **Didelio greičio režimas (H) ⑬ b**
    - priveržimas arba atlaisvinimas didele jėga ir sukimo greičiu
    - dideliems sraigtams ir varžtams
  - ! **Valdymo režimas (rodyklė) ⑬ c**
    - pradėkite lėtai, kad padėtumėte įsukti sraigtą į medieną
    - automatiškai didinamas greitis įsukus sraigtą
    - ilgiems sraigtams, visų pirma PHILLIPS arba POZIDRIV sraigtams
  - ! **valdymo režimas galimas tik sukant į priekį; sukant atgal, jis naudojamas vidutiniam greičiui**
  - ! **režimas galima keisti tik šiek tiek paspaudus įjungimo arba išjungimo jungiklį (įsijungia žalias (-i) šviesos diodas (-ai)) ir visiškai sustojus prietaisui**
- Prietaiso laikymas ir valdymas ⑭
  - ! **dirbdami laikykite prietaisą už pilkos spalvos suėmimo vietas(-ų)**
    - ventiliacines angas D ② laikykite neuždengtas
    - nespauskite įrankį pernelyg stipriai; tegul įrankį dirba už Jus

### NAUDOJIMO PATARIMAI

- Naudokite tinkamus darbo antgalius
- Prieš sukant varžtą medinio ruošinio pakraštyje, visų pirma reikia išgręžti skylutę, kad medis nesuskiltų
- Prieš sukant sraigtą į kietą medieną, visų pirma reikia išgręžti skylutę
- Priverždami varžtą, neperveržkite jo per stipriai. Kadangi smūginio suktyvo jėga gali sulaužyti tvirtinimo detalę. Kad nepažeistumėte tvirtinimo detalės galvutės, laikykite

- јранкј виеноје линијоје су варџту.
- Сукимо моментас приклоусо нуо смүгио трукмѳс. Максималус сукимо моментас пасиекиамас по 6–10 секундџиү трукмѳс смүгио.  
**! висада патикринките уџверџимо јѳгґґ динамометриниу суктуву**
  - Норѳдѳми оптималиѳ нуодоти јранкј, јсукдѳми варџа (о уѳаѳ ишсукдѳми) нуолат лаикыките јранкј присѳаустґ.
  - Даугиѳу информѳѳѳѳѳ расите [www.skil.com](http://www.skil.com).

## PRIEŒIŪRA / SERVISAS

- Periodiškai valykite prietaisą (ypač ventiliacines angas D ②)  
**! prieš valant, išimkite bateriją iš įrankio**
- Jeigu prietaisas, nepaisant gamykloje atliekamo kruopštaus gamybos ir kontrolės proceso, vis dėlto sugestų, jo remontas turi būti atliekamas įgaliotose SKIL elektrinių įrankių remonto dirbtuvėse
  - **neišardyтą** prietaisą kartu su pirkimo čekiu siųskite tiekėjui arba į artimiausią SKIL firmos įgaliotą elektros prietaisų techninio aptarnavimo tarnybą (adresus bei atsarginių dalių brėžinius rasite [www.skil.com](http://www.skil.com))
- Turėkite omeny, kad garantija netaikoma, jei gedimas atsiranda dėl perkrovos ar netinkamo naudojimo (dėl SKIL garantijos sąlygų žr. [www.skil.com](http://www.skil.com) arba kreipkitės į jus aptarnaujantį prekybos atstovą)

## APLINKOSAUGA

- **Nemeskite elektrinių įrankių, baterijas, papildomos įrangos ir pakuotės į buitinių atliekų konteinerius** (galioja tik ES valstybėms)
  - pagal ES Direktyvą 2012/19/EG dėl naudotų elektrinių ir elektroninių prietaisų atliekų utilizavimo ir pagal vietinius valstybės įstatymus atitarnavę elektriniai įrankiai turi būti surenkami atskirai ir gabenami į antrinių žaliavų tvarkymo vietas, kur jie turi būti sunaikinami ar perdirbami aplinkai nekenksmingu būdu
  - apie tai primins simbolis ⑥, kai reikės išmesti atitarnavusį prietaisą
- **! prieš išmesdami bateriją apvyniokite jos galus, kad netyčia nekiltų paviršinio nuotėkio srovė**

## TRIUKŠMINGUMAS / VIBRACIJA

- Išmatuotas pagal EN 62841, šio instrumento garso slėgio lygis yra 78 dB(A), garso galios lygis 86 dB(A) (neapibrėžtis K = 3 dB), vibracija <2,5 m/s<sup>2</sup> (triašio vektoriaus suma; neapibrėžtis K = 1,5 m/s<sup>2</sup>)
- Vibracijos sklaidos lygis išmatuotas pagal standarte EN 62841 išdėstytus standartizuoto bandymo reikalavimus; ši vertė gali būti naudojama vienam įrankiui palyginti su kitu bei išankstiniam vibracijos poveikiui įvertinti, kai įrankis naudojamas paminėtais būdais
  - naudojant įrankį kitokiais būdais arba su kitokiais bei netinkamai prižiūrimais priedais, gali žymiai **padidėti** poveikio lygis
  - laikotarpiams, kai įrankis išjungtas arba yra įjungtas, tačiau juo nedirbama, gali žymiai **sumažėti** poveikio lygis
- **! apsisaugokite nuo vibracijos poveikio prižiūredami įrankį ir jo priedus, laikydami rankas šiltai ir derindami darbo ciklus su pertraukėlėmis**

МК

## Безжичен ударен завртувач без четки

3211

### УПАТСТВО

- Овој алат е наменет за затегање и разлабавување на шрафови и завртки
  - Проверете дали пакувањето ги содржи сите делови коишто се прикажани на сликата ②
  - Контактирајте го продавачот ако недостасуваат делови или истите се оштетени
- Прочитајте го и зачувајте го ова упатство за ракување ③
  - **Обрнете особено внимание на безбедносните упатства и предупредувања; непридржувањето до овие упатства може да доведе до сериозна повреда**

### ТЕХНИЧКИ ПОДАТОЦИ ①

Максимален обрт за примена како шрафцигер според ISO 5393 : 250Nm

### ЕЛЕМЕНТИ НА АЛАТОТ ②

- A** Прекинувач за вклучување/исклучување и контрола на брзината
- B** Прекинувач за менување на насоката на вртење
- C** Глава за стегање
- D** Отвори за вентилација
- E** Копче за брзина
- F** ЛЕД-светло
- G** Индикатор за нивото на батеријата
- H** 50мм бит за одвртувач

### БЕЗБЕДНОСТ

#### ОПШТИ ПРЕДУПРЕДУВАЊА ЗА БЕЗБЕДНОСТ НА ЕЛЕКТРИЧНИТЕ АЛАТИ

**⚠ ПРЕДУПРЕДУВАЊЕ** Прочитајте ги сите безбедносни предупредувања, упатства, слики и спецификации што се обезбедуваат со овој алат. Непочитувањето на сите упатства подолу може да доведе до електричен удар, пожар и/или сериозна повреда..

#### Чувајте ги сите предупредувања и упатства за понатамошно упатување.

Поимот “електричен алат”, кој се користи во понатамошниот текст, се однесува на вашиот електричен алат (со приклучен кабел) и на електрични алати со погон на батерии (без приклучен кабел).

#### 1) БЕЗБЕДНОСТ НА РАБОТНОТО МЕСТО

- a) **Одржувајте го вашето работно место чисто и уредно.** Неуреден или темен работен простор може да предизвикаат незгоди.
- b) **Немојте да работите со уредот во средина во која има опасност од експлозија, во која има запалливи течности, гасови и прашина.**

- Електричните алати произведуваат искри кои можат да запалат прашина или пара.
- c) **За време на употребата на електричниот алат, децата и останатите лица држете ги подалеку од местото на работите.** Одржавање, би можеле да изгубите контрола врз уредот.
- 2) **ЕЛЕКТРИЧНА СИГУРНОСТ**
- a) **Утинач мора да одговара на приклучокот. Никане не смее да се прават измени на штекерот. Не користете адаптерски штекер заедно со уредот кој е заштитно заземјен.** Не променети штекери и соодветни приклучоци го намалуваат ризикот од електричен удар.
- b) **Избегнувајте допир на телото со заземјени површини, нано што се цевки, радијатори, рерни и фрижидери.** Постои зголемена опасност од струен удар, доколку Вашето тело е заземјено.
- c) **Чувајте го уредот подалеку од дожд и влага.** Продирањето на вода во електричниот уред ја зголемува опасноста од струен удар.
- d) **Не злоупотребувајте го приклучниот кабел за носење, бесење на уредот или за извлекување на штекерот од мрениот приклучок. Чувајте го кабелот подалеку од топлина, масло, остри рабови или деловите на апаратот кои се движат.** Оштетени или заплеткани кабли ја зголемуваат опасноста од струен удар.
- e) **Кога го употребувате полначот надвор, користете продолжен кабел кој е соодветен за употреба на отворен простор.** Примената на продолжен кабел соодветен за работа на отворен простор ја намалува опасноста од струен удар.
- f) **Доколку не може да се избегне работа со електричниот алат во влажна средина, користете прекинувач за струјна заштита при технички проблеми.** Употребата на прекинувачот за струјна заштита при технички проблеми го намалува ризикот од електричен удар.
- 3) **ЛИЧНА ЗАШТИТА**
- a) **Бидете внимателни, внимавајте што правите и постапувајте внимателно додека работите со електричниот алат. Не работете со уредот доколку сте уморни или под дејство на дрога, алкохол или лекови.** Еден момент на невнимание при употребата може да доведе до сериозни повреди.
- b) **Носете ја личната заштитна опрема и секогаш носете заштитни очила.** Носењето на личната заштитна опрема, како што е маската за прашина, безбедносната облека која не се лизга, заштитен шлем или штитник за слух, зависно од видот и примената на електричниот алат, ја намалува опасноста од повреда.
- c) **Избегнувајте невнимателно вклучување за време на работата. Осигурајте се прекинувачот да биде во “OFF” позиција пред да го ставите штекерот во приклучокот.** Доколку го носите електричниот алат со прстот на прекинувачот или го приклучувате апаратот кој е приклучен со напуѓување на струја, може да предизвикаат незгоди.
- d) **Пред вклучување на уредот, тргнете ги алатите за подесување или клучот за навртување.** Алатот или клучот кој се наоѓа во вртливост дел на уредот, може да предизвика незгода.
- e) **Не ги преценувајте своите способности. Завземете сигурен и стабилен став и во секој момент одржувајте рамнотежа.** На тој начин можете подобро да го контролирате уредот во неочекувани ситуации.
- f) **Носете соодветна облека. Не носете широка облека или накит. Косата и алиштата треба да бидат подалеку од подвижните делови.** Широката облека, накитот или долгата коса може да се закачат за подвижните делови.
- g) **Доколку може да се монтираат направи за вшмукување и фаѓање прашина, проверете дали се вклучени и дали можат исправно да се користат.** Примената на овие направи ја намалува опасноста од прашината.
- h) **Не дозволувајте искуството стенкато со честа употреба на алатите да ве направи спокојни и да ги игнорирате безбедносните принципи при неговото користење.** Невнимателно движење може да предизвика сериозни повреди во дел од секунда.
- 4) **ВНИМАТЕЛНА УПОТРЕБА И РАКУВАЊЕ СО ЕЛЕКТРИЧНИТЕ АЛАТИ**
- a) **Не го преоптеретувајте уредот. При вашата работа користете го предвидениот електричен алат за таа употреба.** Со соодветниот електричен алат ќе работите подобро и посигурно во наведената функционална област.
- b) **Не користете електричен алат чиј прекинувач е неисправен.** Електричниот алат кој повеќе не може да се вклучува и исклучува е опасен и мора да се поправи.
- c) **Исклучете го електричниот алат од струја и/или извадете го комплетот со батерии, ако се одделува, пред да правите ненакви прилагодувања, менувате дополнителна опрема или да го складирате електричниот алат.** Со овие мерки на внимателност ќе се избегне невнимателното вклучување на уредот.
- d) **Тргнете го електричниот алат кој не го користите од допирот на децата. Не допуштајте работа со уредот на лица кои не се запознаени со него или кои го немаат прочитано ова упатство.** Електричните алати се опасни доколку со нив работат неискусни лица.
- e) **Одржувајте го електричниот алат и дополнителната опрема. Имајте контрола околу тоа дали движечките делови на уредот работат беспрекорно и дали не се заглавени, дали деловите се скршени или оштетени до таа мерка што не може да се обезбеди функционирање на уредот. Пред примената, овие оштетени делови треба да се поправат.** Причина за многу незгоди е лошо одржуваниот електричен алат.
- f) **Алатите за сечење одржувајте ги остри и чисти.** Внимателно одржуваните алати за сечење со остри очтрици помалку ќе се заглавуваат и со нив работата ќе биде полесна.
- g) **Електричниот алат, прибор, работни алати итн., треба да ги користите според овие упатства, и на начин кој е опишан за соодветниот тип на уред. При тоа, земете ги предвид работните услови и работата која се извршува.** Употребата на електричните алати за други цели кои не се



- предвидени, може да предизвика опасни ситуации.
- h) **Рачките и површините за држење одржувајте ги суви, чисти и неизмастени.** Рачките и површините за држење што се лизгаат не овозможуваат безбедно ракување и контрола на алатот во неочекувани ситуации.
- 5) **ВНИМАТЕЛНО РАКУВАЊЕ И КОРИСТЕЊЕ НА АПАРАТ СО АКУМУЛАТОР**
- a) **Полнете го акумулаторот само во апаратите за полнење кои се пропишани од страна на производителот.** За апаратот за полнење кој е соодветен за определен вид на акумулатори, постои опасност од пожар, доколку се употребува со други акумулатори.
- b) **Користете ги електричните алати само со специфично назначени пакувања на батерии.** Користењето на друг вид на батерии може да доведе до ризик од повреда или пожар.
- c) **Кога батериите не се користат, држете ги настрана од метални предмети како штрафица, парички, клучеви, клинчи, навртки или други, мали предмети кои може да направат краток спој.** Краткиот спој кај батериите може да предизвика изгореници или пожар.
- d) **При погрешна примена може да излезе течност од акумулаторот; избегнувајте контакт со неа. При случаен контакт, измијте се со вода. Ако течност дојде во допир со очите, побарајте и лекарска помош дополнително.** Течноста која може да излезе од акумулаторот може да доведе до надразнување на кожата и изгореници.
- e) **Не употребувајте комплет со батерии или алат кој е оштетен или изменет.** Оштетени или изменети батерии може да реагираат непредвидливо и да предизвикаат пожар, експлозија или опасност од повреда.
- f) **Не го изложувајте комплетот со батерии или алатот на оган или висока температура.** Изложувањето на оган или температура над 130°C може да предизвика експлозија.
- g) **Следете ги сите инструкции за полнење и не го полнете комплетот со батерии или алатот надвор од температурниот опсег наведен во инструкциите.** Неправилното полнење или на температура надвор од наведениот опсег може да ја оштети батеријата и да ја зголеми опасноста од пожар.
- 6) **СЕРВИСИРАЊЕ**
- a) **Електричниот алат сервисирајте го нај квалификувано лице кое користи само идентични резервни делови.** Со ова се обезбедува безбедно одржување на електричниот алат.
- b) **Никогаш не поправајте оштетени комплекти со батерии.** Поправката на комплекти со батерии треба да ја врши само производителот или овластен сервис.

#### **БЕЗБЕДНОСНИ УПАТСТВА ЗА БЕЗЖИЧНИ УДАРНИ ЗАВРТУВАЧИ**

- **Држете го алатот за изолираните површини на држење кога работите на место каде затегнувачот може да допре до покриени**

**жици** (ако се допре жица под напон, металните делови на алатот ќе се електрифицираат и може да предизвикаат електричен шок за работникот)

#### **ОПШТИ**

- Прашината од материјали како боја која содржи олово, некои видови дрво, минерали и метали, може да биде штетна за здравјето (контактот со прашина или нејзиното вдишување може да предизвика алергии и/или болести на дишните органи за оној кој работи со алатот или луѓето во близина); **носете маска за прашина и работете со правосмукални доколку можете да ги поврзете**
- Некои видови на прашина се канцерогени (како на пример прашина од даб или бука), особено заедно со адитиви за одржување на дрвото; **носете маска за прашина и работете со правосмукални доколку можете да ги поврзете**
- Следете ги процедурите на вашата земја за прашина која се јавува како резултат од материјалите со кои работите
- **Не обработувајте ниванов материјал кој содржи азбест** (азбестот важи за предизвикувач на рак)
- При промена на приборот, пренесување или прибирање на алатот, задолжително поставете го прекинувачот В ② во средна позиција (заклучено)

#### **ПРИБОР**

- SKIL може да признае гаранција само доколку е користен оригинален прибор
- Користете само прибор чија дозволена брзина е во најмала рака еднаква на најголемата брзина при празен од на електричниот алат

#### **ПРЕД УПОТРЕБА**

- Избегнувајте оштетувања од штрафови, шајки и други предмети во местото каде работите; тргнете ги пред да почнете со работа
- **Зацврстете го материјалот кој го обработувате** (обработка која е зацврстена со стеги или во менгеме е побезбедна отколку да ја држите со раце)
- **Користете соодветни детектори за наоѓање на скриени инсталации или повинајте соодветна компанија за помош** (контактот со електричните линии може да доведе до струен удар; оштетувањата во гасоводна цевка може да резултира со експлозија; пенетрирање во водоводна инсталација може да доведе до оштета на предмети или електричен удар)

#### **АКУМУЛАТОРСКА БАТЕРИЈА**

- **Обезбедената батерија, доколку ја има, е делумно наполнета** (за да се обезбеди целосен капацитет на батеријата, целосно наполнете ја батеријата во полначот на батеријата пред да го употребите вашиот електричен алат за првпат)
- **Користете ги исклучиво следниве батерии и полначи со овој алат**
  - Батерија SKIL: BR1\*31\*\*\*\*
  - Полнач SKIL: CR1\*31\*\*\*\*
- Оштетената батерија не треба понатаму да се користи туку веднаш да се замени
- Не ја расклопувајте батеријата
- Никогаш не ги изложувајте на дожд алатот/ батеријата
- Дозволена температура на околината (алатка/ полнач/батерија):
  - при полнење 4...40°C
  - при работа -20...+50°C
  - при складирање -20...+50°C

## ОБЈАСНУВАЊЕ НА СИМБОЛИТЕ ЗА АЛАТОТ/ БАТЕРИЈАТА

- ③ Пред употреба прочитајте го прирачникот за употреба
- ④ Во допир со оган батериите ќе експлодираат, затоа не ги палете батериите од која било причина
- ⑤ Секогаш чувајте ги апаратот/полначот/батеријата во просторија на температура пониска од 50°C
- ⑥ Не се ослободувајте од електрични алати и батерии во домашниот отпад

## УПОТРЕБА

- Комбиниран прекинувач за вклучување/исклучување и за контрола на брзината А ⑦
  - брзината се контролира на степени од нула до максимум со применување помалку или повеќе сила врз активаторот А ⑧
- Полнење на акумулаторска батерија
  - ! **прочитајте ги безбедносните предупредувања и упатствата дадени со полначот**
- Вадење/инсталирање на батеријата ②
- Прицврстување на клипот за ремен ⑨
  - прицврстете го клипот за ремен F на дупчалката со испорачаната завртка.
- Индикатор за нивото на батеријата ⑨
  - притиснете на индикаторот за нивото на батеријата G за да се прикаже тековното ниво на батеријата ⑨v
  - ! **ако по притискање на копчето G ⑨b почне да трепка индикаторот за најниско ниво на батеријата, тогаш батеријата е празна**
  - ! **нога ќе почне да трепка индикаторот за нивоата на батеријата 2 по притискање на копчето G ⑨c, батеријата не е во рамките на дозволеният опсег за работна температура**
- Заштита на батеријата
  - Алатот наеднаш се исклучува или не може да се вклучи, кога
    - **товарот е преголем** --> отстранете го товарот и почнете повторно
    - **температурата на батеријата не е во рамките на дозволеният опсег на работна температура од -20 до +50°C** --> 2 нивоата на индикаторот за ниво на батеријата почнуваат да трепкаат кога ќе го притиснете копчето G ⑨c; почекајте батеријата да се врати во рамките на дозволеният опсег на работна температура
    - **батеријата е скоро празна (заштита од целосно празнење)** --> на индикаторот за нивото на батеријата ќе се прикаже ниско ниво на батеријата или ќе трепка за ниско ниво на батеријата ⑨b кога ќе притиснете на копчето G; наполнете ја батеријата
    - ! **не продолжувајте да притискате на прекинувачот за вклучување/исклучување откако алатот ќе се исклучи автоматски; батеријата ќе се оштети**
- ЛЕД-светло ⑩
  - ЛЕД-светлото автоматски се вклучува кога ќе се активира прекинувачот за вклучување/исклучување
  - ! **нога започнува да трепка ЛЕД-светлото, се активира заштитата на батеријата (види погоре)**

- Монтирање и отстранување на битови
  - за да намонтирате бит повлечете ја главата за стегање C напред, вметнете го битот до крајот во држачот за битови и отпуштете ја главата за стегање C за да го заклучите битот. (⑩a ⑩b ⑩c)
  - ! **Повлечете го битот напред за да проверите дали е заклучен (⑩d)**
  - за да се отстрани битот, повлечете ја главата за стегање C напред
  - ! **користете само битови со топчести наслони, други битови може да се користат со универзален држач за делови со топчест наслон**
  - ! **не употребувајте битови со оштетена дршка**
- Промена на насоката на ротација ⑫
  - ако левата/десната позиција не легнат како што треба, прекинувачот А ② нема да може да стартува
  - ! **менувајте ја насоката на ротацијата само кога алатот се наоѓа во целосно мирување**
- Избор на режим ⑬
  - Притиснете го копчето за брзина E за да го изберете саканиот режим на затегнување или олабавување кога алатката е поставена на ротација напред или назад:
    - Режим со ниска брзина (L) ⑬a**
      - затегнување или разлабавување со помала сила и мала брзина
      - за помали завртки
    - Режим со висока брзина (H) ⑬b**
      - затегнување или разлабавување со висока сила и брзина
      - за големи завртки и навртки
    - Контролен режим (стрелка) ⑬c**
      - почнете полека за да помогнете во поставување на завртката во дрвото
      - автоматски зголемувајќи ја брзината кога завртката е поставена
      - за долги завртки, особено завртки од PHILLIPS/POZIDRIV
      - ! **контролниот режим е достапен само со ротација напред; во обратна ротација се користи за средна брзина**
      - ! **режимите можат да се променат само откако малку ќе се притисне на прекинувачот за вклучување/исклучување (зеленото LED-светло(a) е активирано) и кога алатот е целосно исклучен**
  - Држење и насочување на алатот ⑭
    - ! **додена работите, сеногаш држете го алатот за местото (местата) кое (кои) се означени со сива боја**
    - отворите за ладење D ② држете ги отворени
    - не притискајте премногу со алатот; дозволете го сам да работи

## СОВЕТИ ЗА ПРИМЕНА

- Користете соодветни бургии
- При навртување на штрафовите на краевите на дрвото, прво треба да се издупчи мала дупка за да се избегне разлитување на дрвото
- При завртување на завртката во тврдо дрво претходно треба да се издупчи дупка
- Кога затегнувате завртка, не затегнувајте премногу.

Бидејќи силата на ударниот клуч може да го скрши прицврстувачот. Држете ја алатката подредена со завртката за да спречите оштетување на главата на прицврстувачот.

- Вртежниот момент зависи од времетраењето на ударот. Максимален вртежен момент се постигнува по времетраење на ударот од 6-10 секунди.  
**! секогаш проверувајте го вртежниот момент на затегнување со клуч за вртежен момент**
- За оптимална употреба на апаратот потребен е постојан притисок на завртката, особено во текот на отстранувањето на прицврстувачот.
- За повеќе информации видете на [www.skil.com](http://www.skil.com)

## ОДРЖУВАЊЕ/СЕРВИСИРАЊЕ

- Алатот секогаш да се одржува чист (особено отворите за ладење D <sup>②</sup>)  
**! отстранете ја батеријата од алатот пред чистење**
- Доколку алатот и покрај внимателното работење и контрола некогаш откаже, поправката мора да ја изврши некој овластен SKIL сервис за електрични алати  
- во случај на примедба, испратете го алатот **нерасклопен**, заедно со сметкопотврдата, до вашиот продавач или најблискиот SKIL сервис (адресите се наведени на [www.skil.com](http://www.skil.com))
- Имајте предвид дека оштетувањето настанато заради преоптоварување или неправилно ракување со алатот ја отфрла гаранцијата (видете на [www.skil.com](http://www.skil.com) или прашајте го продавачот за условите на гаранцијата на SKIL)

## ЗАШТИТА НА ЖИВОТНАТА СРЕДИНА

- **Не се ослободувајте од електрични алати, батерии, уреди или амбалажа преку нивно фрлање во домашното губре** (само за земјите на ЕУ)  
- според Европската Директива 2012/19/ЕС за ослободување од електрична и електронска опрема и нејзина имплементација во согласност со националните закони, електричните алати кои го достигнале крајот на својот животен век мора да бидат собрани посебно и да бидат вратени во соодветен објект за рециклирање  
- симболот <sup>⑥</sup> ќе ве потсетува на ова кога ќе дојде време алатот да го фрлите  
**! пред да се фрли акумулаторската батерија во отпад, заштитите ги нејзините полови**

## БУЧАВА / ВИБРАЦИИ

- Измерено во согласност со EN 62841, нивото на звучен притисок на оваа алатна е 78 dB(A) и нивото на звучна моќност 86 dB(A) (несигурност K = 3 dB), и вибрацијата <math>2,5 \text{ m/s}^2</math> (триакс векторна сума; несигурност K = 1,5 m/s<sup>2</sup>)
- Нивото на емитурање на вибрации кое е наведено на задниот дел на ова упатство е измерено во согласност со стандардизираниот тест даден во EN 62841; може да се користи за да се спореди еден алат со друг, и како првична оценка за изложеноста на вибрации кога се користи алатот за споменатите примени

- користењето на алатот за разни примени, или со различни или неправилно чувани делови, може да доведе до значајно **зголемување** на нивото на изложеност
- кога алатот е исклучен или кога алатот е вклучен но не врши некаква работа, може да дојде до значително **намалување** на нивото а изложеност  
**! заштитете се од ефектите на вибрациите преку одржување на алатот и неговите делови, одржување на топлината во вашите раце, и организирање на вашата работа**

AL

## Trapan me goditje pa karbonçina me bateri

3211

### HYRJE

- Ky mjet është bërë për të futur dhe liruar vida dhe bulona  
- Kontrolloni nëse paketimi përfshin të gjitha pjesët siç janë të ilustruara në skicë <sup>②</sup>  
- Kur pjesët mungojnë ose janë të dëmtuara, ju lutemi kontaktoni me shitësin
- Lexojeni dhe ruajeni këtë manual <sup>③</sup>  
- **Kushtojuni vëmendje të veçantë udhëzimeve të sigurisë dhe paralajmërimeve; mosrespektimi mund të shkaktojë dëmtime të rënda**

### TË DHËNAT TEKNIKE <sup>①</sup>

Forca maksimale e rrotullimit për veprime vidhosjeje të forta sipas ISO 5393 : 250Nm

### ELEMENTET E VEGËL <sup>②</sup>

- A Çelësi për ndezje/fikje dhe kontrolli i shpejtësisë
- B Çelësi për ndryshimim e drejtimi ose të rrotullimit
- C Këmisha bllokuese
- D Të çarat e ajrosjes
- E Butoni i shpejtësisë
- F Drita LED
- G Treguesi i nivelit të baterisë
- H majë kaçavide 50mm

### SIGURIA

#### PARALAJMËRIME TË PËRGJITHSHME TË SIGURISË PËR PAJISJET ELEKTRIKE

**⚠ PARALAJMËRIM:** Lexoni të gjitha paralajmërimet, udhëzimet, ilustrimet dhe specifikimet e dhëna me këtë mjet pune. Mosrespektimi i të gjitha udhëzimeve të renditura më poshtë mund të rezultojë në goditje elektrike, zjarr dhe/ose dëmtime të rënda.

#### Ruani të gjitha paralajmërimet dhe udhëzimet për referencë në të ardhmen.

Termi "pajisje elektrike" në paralajmërimet i referohet pajisjes elektrike që përdoret nga prizat (me kablo) ose pajisjes elektrike me bateri (pa kablo).

#### 1) SIGURIA E ZONËS SË PUNËS

- a) **Mbajeni zonën e punës të pastër dhe të ndriçuar mirë.** Zonat e çrregullta ose të errëta janë një ftesë për aksidente.
- b) **Mos i përdorni pajisjet elektrike në situata me mundësi shpërthimi, si në prani të lëngjeve, gazeve ose pluhurave të djegshëm.** Pajisjet elektrike shkaktojnë shkëndija që mund të ndezin pluhurat ose avujt.
- c) **Mbajini fëmijët dhe personat e tjerë larg gjatë përdorimit të veglës së punës.** Tërheqja e vëmendjes mund të shkaktojë humbjen e kontrollit.
- 2) SIGURIA ELEKTRIKE**
- a) **Spinat e veglës së punës duhet të përputhen me prizën. Mos modifikoni kurrë spinën në asnjë mënyrë. Mos përdorni asnjë spinë përshtatëse me veglat e punës me tokëzim.** Spinat e pamodifikuara dhe prizat përshtatëse do të zvogëlojnë rrezikun e goditjes elektrike.
- b) **Shmangni kontaktin trupor me sipërfaqe të tokëzuara si tuba, radiatorë, soba dhe frigoriferë.** Ka një rrezik më të madh të goditjeve elektrike nëse trupi është i tokëzuar.
- c) **Mos ekspozoni veglat e punës në shi ose në kushte me lagështi.** Uji që hyn në veglën e punës do të rritë rrezikun e goditjes elektrike.
- d) **Mos abuzoni me kordonin. Mos e përdorni kurrë kordonin për transportin, tërheqjen ose heqjen e spinës së veglës së punës. Mbajeni kordonin larg nga nxehtësia, vaji, anët e mprehta ose pjesët që lëvizin.** Kordonët e dëmtuar ose e bllokuar rrisin rrezikun e goditjes elektrike.
- e) **Kur përdorni një vegël pune në mjedise të jashtme, përdorni një kordon zgjatues të përshtatshëm për përdorim në mjedise të jashtme.** Përdorimi i një kordoni të përshtatshëm për përdorime në mjedise të jashtme zvogëlon rrezikun e goditjes elektrike.
- f) **Nëse përdorimi i veglës së punës në një vend me lagështi është i pashmangshëm, përdorni një automat qarku me shkarkesë me tokëzim.** Përdorimi i një automati me shkarkesë me tokëzim zvogëlon rrezikun e goditjes elektrike.
- 3) SIGURIA PERSONALE**
- a) **Qëndroni në gatishmëri, shikoni se çfarë po bëni dhe përdorni gjykimin kur përdorni një vegël pune. Mos e përdorni një vegël pune kur jeni i lodhur ose nën ndikimin e ilaçeve, alkoolit ose mjekimit.** Një moment humbjeje e vëmendjes gjatë përdorimit të veglave të punës mund të shkaktojë dëmtime të rënda personale.
- b) **Përdorni pajisje personale mbrojtëse. Mbani gjithmonë pajisje për mbrojtjen e syve.** Pajisjet mbrojtëse si maska kundër pluhurit, këpucët që nuk rrëshqasin, kaskat ose pajisjet për mbrojtjen e veshëve për kushtet përkatëse do të zvogëlojnë dëmtimet personale.
- c) **Parandaloni ndezjen e rastësishme. Sigurohuni që çelësi është në pozicionin fikur para se të lidhni burimin e energjisë dhe/ose baterinë, para se të merrni ose të transportoni pajisjen.** Transportimi i veglave të punës me gishtin në çelës ose aktivizimi i veglave të punës që kanë çelësin të ndezur është një ftesë për aksidente.
- d) **Hiqni çdo çelës ose çelës përshtatës para ndezjes së veglës së punës.** Një çelës i lënë i lidhur me një pjesë rrotulluese të veglës së punës mund të shkaktojë dëmtime personale.
- e) **Mos u zgjasni. Mbani një vendosje të mirë të këmbëve dhe një ekuilibër të mirë në çdo moment.** Kjo gjë bën të mundur një kontroll më të mirë të veglës së punës në situata të papritura.
- f) **Vishuni në mënyrën e duhur. Mos vishni veshje të gjera ose bizhuteri. Mbani flokët të tregoheni dhe dorashkat larg nga pjesët lëvizëse.** Veshjet e gjera, bizhuteritë ose flokët e gjatë mund të kapen nga pjesët në lëvizje.
- g) **Nëse janë ofruar pajisje për lidhjen e pajisjeve të mbledhjes dhe nxjerrjes së pluhurave, sigurohuni që ato të jenë të lidhura dhe të përdoren si duhet.** Përdorimi i mbledhjes së pluhurave mund të zvogëlojë rreziqet në lidhje me pluhurat.
- h) **Mos lejoni që familjarizimi i fituar nga përdorimi i shpeshhtë i veglave t'ju lejojë të tregoheni të vetëkënaqur dhe të shpërfillni parimet e sigurisë për pajisjet.** Një veprim i pakujdesshëm mund të shkaktojë dëmtime të rënda në më pak se një sekondë.
- 4) PËRDORIMI DHE KUJDESI PËR VEGLËN E PUNËS**
- a) **Mos ushtroni forcë mbi veglën e punës. Përdorni veglën e punës të duhur për përdorimin tuaj.** Vegla e punës e duhur do të realizojë një punë më të mirë dhe më të sigurt dhe me shpejtësinë që ajo është e projektuar.
- b) **Mos përdorni veglën e punës nëse çelësi nuk e ndez apo e fik.** Çdo vegël pune që nuk mund të kontrollohet me anë të çelësit është e rrezikshme dhe duhet të riparohet.
- c) **Shkëputni spinën nga burimi i energjisë dhe/ose baterinë nga vegla e punës para se të bëni rregullime të tjera, të ndryshoni aksesoret ose të ruani veglat e punës.** Këto masa parandaluese të sigurisë ulin rrezikun e ndezjes aksidentale të veglës së punës.
- d) **Mbani veglat e punës larg fëmijëve dhe mos lejoni personat e pamësuar me veglën e punës ose këto udhëzime për përdorimin e pajisjes.** Veglat e punës janë të rrezikshme në duart e përdoruesve të patrajnuar.
- e) **Mirëmbani veglat e punës. Kontrolloni për mospërshtatje ose bllokim të pjesëve lëvizëse, thyerje të pjesëve dhe gjendje të tjera që mund të ndikojnë në funksionimin e veglës së punës. Nëse dëmtohet, riparoheni veglën e punës para përdorimit.** Shumë aksidente shkaktohen nga veglat e punës jo të mirëmbajtura si duhet.
- f) **Mbajini pajisjet prerëse të pastra dhe të mprehta.** Pajisjet e prerjes të mirëmbajtura dhe me anë të mprehta kanë më pak mundësi për t'u bllokuar dhe janë më të lehta për t'u kontrolluar.
- g) **Përdorni veglat e punës, aksesoret dhe puntot, etj. në përputhje me këto udhëzime, duke marrë parasysh kushtet e punës dhe punën që do të kryhet.** Përdorimi i veglave për përdorime të ndryshme nga ato të përcaktuara mund të shkaktojë rreziqe.
- h) **Mbajini dorezat dhe sipërfaqet ku mbaheni të thata, të pastra dhe pa vajra ose graso.** Dorezat dhe sipërfaqet ku mbaheni, kur janë të rrëshqitshme, nuk ju lejojnë ta menaxhoni dhe ta kontrolloni në mënyrë të sigurt pajisjen në situata të papritura.
- 5) PËRDORIMI DHE KUJDESI PËR VEGLËN ME BATERI**

- a) **Karikojeni vetëm me karikuesin e përcaktuar nga prodhuesi.** Një karikues që është i përshtatshëm për një lloj baterie mund të krijojë rrezik për zjarr kur përdoret me një bateri tjetër.
- b) **Përdorni veglat e punës vetëm me bateritë e përcaktuara respektivisht.** Përdorimi i çdo baterie tjetër mund të krijojë rrezik për dëmtime dhe zjarr.
- c) **Kur bateria nuk është në përdorim, mbajeni larg nga objektet e tjera metalike si kapëset e letrës, monedhat, çelësat, gozhdët, vidat ose objektet e tjera të vogla metalike që mund të bëjnë lidhjen e një terminali me terminalin tjetër.** Lidhja e shkurtër e terminaleve të baterisë mund të shkaktojë djegie ose zjarr.
- d) **Në kushte abuzimi, nga bateria mund të rrjedhin lëngje; shmangni kontaktin me to. Në rast se ndodh aksidentalisht kontakti, shpëljani me ujë. Në rast se lëngu bie në kontakt me sytë, kërkoni edhe ndihmë mjekësore.** Lëngu i rrjedhur nga bateria mund të shkaktojë acarime ose djegie.
- e) **Mos e përdorni një pako baterish ose një vegël që është e dëmtuar apo e modifikuar.** Bateritë e dëmtuara ose të modifikuara mund të shfaqin sjellje të paparashikuara, duke shkaktuar zjarr, shpërthim ose rrezik për lëndimin tuaj.
- f) **Mos e ekspozoni një pako baterish ose një vegël ndaj zjarrit ose temperaturës shumë të lartë.** Ekspozimi ndaj zjarrit ose një temperature mbi 130°C mund të shkaktojë shpërthim.
- g) **Ndriqni të gjitha udhëzimet për karikimin dhe mos e karikoni pakon e baterive ose veglën jashtë gamës së temperaturës që specifikohet tek udhëzimet.** Karikimi i papërshtatshëm ose në temperatura jashtë gamës së specifikuar mund të dëmtojë baterinë dhe të rritë rrezikun për zjarr.
- 6) **SHËRBIMI**
  - a) **Shërbimi i veglës së punës duhet të kryhet nga një person i kualifikuar për riparimet duke përdorur vetëm pjesë ndërrimi identike.** Kjo gjë do të sigurojë ruajtjen e sigurisë së veglave të punës.
  - b) **Mos kryeni asnjëherë shërbimin për pakot e baterive.** Shërbimi për pakot e baterive duhet të kryhet vetëm nga prodhuesi ose ofruesit e autorizuar të shërbimit.

#### UDHËZIME SIGURIE PËR VIDATORËT ME ÇEKIÇ ME BATERI

- **Mbajeni mjetin e punës duke kapur sipërfaqet e izoluara të prekjes kur bëni një punë aty ku kapësja mund të bjerë në kontakt me tela të fshehur (kapëset që bien në kontakt me një tel me korrent mund të ekspozojnë pjesët metalike të mjetit të punës në korrent dhe mund t'i japin përdoruesit një goditje elektrike)**

#### TË PËRGJITHSHME

- Pluhurat nga materialet si boja me plumb, disa lloje drurësh, mineralesh dhe metalesh mund të jenë të dëmshme (kontakti ose thithja e pluhurave mund të shkaktojë reagime alergjike dhe/ose sëmundje respiratore për përdoruesin ose personat përreth); **mbani një maskë për pluhurat dhe punoni me një pajisje për heqjen e pluhurave kur mund të lidhet**
- Disa lloje pluhurash skanë klasifikuar si kancerogjene

(si pluhuri i lisit dhe i ahut) veçanërisht në ndërthurje me lëndët shtesë për kondicionimin e drurit; **mbani një maskë për pluhurat dhe punoni me një pajisje për heqjen e pluhurave kur mund të lidhet**

- Respektoni kërkesat kombëtare në lidhje me pluhurat për materialet me të cilat dëshironi të punoni
- **Mos punoni me materiale që përmbajnë asbest** (asbesti konsiderohet kancerogjen)
- Sigurohuni që çelësi B ② të jetë në pozicionin e mesit (bllokues) para se të bëni ndonjë rregullim ose të ndërroni aksesorët, si dhe kur transportoni ose magazinoni veglën

#### AKSESORËT

- SKIL mund të garantojë funksionimin pa probleme të veglës vetëm kur përdoren aksesorët origjinalë
- Përdorni vetëm aksesorë me një shpejtësi të lejuar që përshtatet të paktën me shpejtësinë më të lartë pa ngarkesë të pajisjes

#### PARA PËRDORIMIT

- Shmangni dëmtimet që mund të shkaktohen nga vidat, gozhdët dhe elementet e tjera në materialin e punës; hiqni ato para se të filloni punën
- **Siguroni materialin e punës** (një material i shtrënguar me një pajisje shtrëngimi ose morsë mbahet në mënyrë më të sigurt se sa me dorë)
- **Përdorni detektorë përkatës për të gjetur linjat e fshehura të shërbimit ose telefononi kompaninë lokale të shërbimeve për ndihmë** (kontakti me linjat elektrike mund të shkaktojë zjarr ose goditje elektrike; dëmtimi i një linje gazi mund të shkaktojë një shpërthim; shpimi i një tubi uji do të shkaktojë dëmtim të pronës ose një goditje elektrike)

#### BATERIVE

- **Nëse përfshihet bateria, ajo jepet e karikuar pjesërisht** (për të siguruar kapacitet të plotë të baterisë, karikojeni baterinë plotësisht në karikuesin e baterisë para se ta përdorni mjetin për herë të parë)
- **Përdorni vetëm bateritë dhe karikuesit e mëposhtëm me këtë mjet**
  - Bateri SKIL: BR1\*31\*\*\*\*
  - Karikues SKIL: CR1\*31\*\*\*\*
- Mos e përdorni baterinë nëse është e dëmtuar; ajo duhet të zëvendësohet menjëherë
- Mos e çmontoni baterinë
- Mos e ekspozoni mjetin/baterinë në shi
- Lejohet temperatura e ambientit (vegël/karikuesin/bateri):
  - kur karikoni 4...40°C
  - gjatë punës -20...+50°C
  - gjatë magazinimit -20...+50°C

#### SHPJEGIMI I SIMBOLEVE NË VEGËL/BATERI

- ③ Lexoni manualin e udhëzimeve para përdorimit
- ④ Bateritë mund të shpërthejnë kur hidhen në zjarr, prandaj mos i digjini bateritë për asnjë arsye
- ⑤ Ruajeni veglën/karikuesin/baterinë në vende ku temperatura nuk do të kalojë 50°C
- ⑥ Mos i hidhni veglat elektrike dhe bateritë së bashku me materialet e mbeturinave familjare

#### PËRDORIMI

- Çelësi i kombinuar për ndezje/fikje dhe kontrolli i shpejtësisë A ⑦
  - kontrolloni shpejtësinë në shkallë nga zero në maksimum duke ushtruar më pak ose më shumë trysni mbi çelës A⑧

- Karikimi i baterisë  
**! lexoni paralajmërimet dhe udhëzimet e sigurisë të dhëna me karikuesin**
- Heqja/instalimi i baterisë ②
- Treguesi i nivelit të baterisë ⑨
  - shtypni butonin tregues të nivelit të baterisë G për të treguar nivelin aktual të baterisë ⑨w
  - ! kur fillon të pulsojë niveli më i ulët i treguesit të baterisë pasi keni shtypur butonin G ⑨b, bateria është bosh**
  - ! kur fillojnë të pulsojnë nivelet 2 të treguesit të baterisë pasi keni shtypur butonin G ⑨c, bateria nuk është brenda temperaturës së lejuar**
- Mbrojtja e baterisë  
Mjeti fiket papritur ose nuk ndizet kur
  - **ngarkesa është shumë e lartë** --> hiqeni ngarkesën dhe ndizeni përsëri
  - **temperatura e baterisë nuk është brenda nivelit të lejuar të temperaturës nga -20 në +50°C** --> 2 nivelet e treguesit të nivelit të baterisë fillojnë të pulsojnë kur shtypni butonin G ⑨c; prisni derisa bateria të jetë brenda temperaturës së lejuar
  - **bateria është thujtë bosh (për t'u mbrojtur nga dëmtimi për shkak të shkarkimit të thellë)** --> niveli i ulët i baterisë ose pulsimi për shkak të nivelit të ulët të baterisë ⑨b tregohet në treguesin e nivelit të baterisë kur shtypni G; karikoni baterinë
  - ! mos vazhdoni të shtypni çelësin e ndezjes/fikjes pasi pajisja të fiket automatikisht; bateria mund të dëmtohet**
- Drita LED ⑩  
Drita LED ndizet automatikisht kur aktivizoni çelësin e ndezjes/fikjes  
**! Kur drita LED të fillojë të pulsojë, aktivizohet mbrojtja e baterisë (shiko më sipër)**
- Instalimi dhe heqja e puntove
  - për të vendosur një punto, tërhiqeni manikotën C të bllokimit përpara, futeni puntontë mbajtësja dhe lëshojeni manikotën C të bllokimit për ta bllokuar puntontë. (①a ①b ①c)
  - ! tërhiqeni puntontë përpara për të kontrolluar që është kyçur (①d)**
  - për ta hequr një punto, tërhiqeni manikotën C të bllokimit përpara
  - ! përdorni vetëm punto me kapëse sferike, puntot e tjera mund të përdoren me mbajtëse universale puntosh me kapëse sferike**
  - ! mos i përdorni puntontë në një bosht rrotullues të dëmtuar**
- Ndryshimi i drejtimi të rrotullimit ⑫
  - kur është vendosur si duhet në pozicionin majtas/djathtas, çelësi A ② nuk mund të aktivizohet
  - ! ndryshoni drejtimin e rrotullimit vetëm kur pajisja të jetë plotësisht e ndaluar**
- Përzgjedhja e modalitetit ⑬
  - shtypni butonin e shpejtësisë E për të zgjedhur modalitetin e dëshiruar të shtrëngimit ose lirimit kur mjeti vendoset në rrotullim përpara ose mbrapa:
  - Modaliteti në shpejtësi të ulët (L) ⑬a**
  - shtrëngim ose lirim me më pak forcë dhe me shpejtësi të ulët
  - për vida të vogla
  - Modaliteti në shpejtësi të lartë (H) ⑬b**

- shtrëngim ose lirim me forcë dhe shpejtësi të lartë
- për vida dhe bulona të mëdhenj
- Modaliteti i kontrollit (Shigjeta) ⑬c**
- filloni ngadalë për të ndihmuar me nguljen e vidës në dru
- rritni automatikisht shpejtësinë kur ngulet vida
- për vidat e gjata, sidomos për vidat PHILLIPS/POZIDRIV
- ! modaliteti i kontrollit është i disponueshëm me rrotullimin përpara; në rrotullimin mbrapa përdoret për shpejtësi mesatare**
- ! modalitetet mund të ndryshohen pasi keni shtypur lehtë çelësin e ndezjes/fikjes (LED(et) jeshile janë të aktivizuara) dhe kur mjeti është i ndaluar plotësisht**
- Mbjajtja dhe drejtimi i veglës ⑭
  - ! gjatë punës, mbajeni gjithmonë veglën në zonën(at) e dorezës me ngjyrë gri**
  - mbajini të çarat e ajrimit D ② të pambuluara
  - mos ushtroni shumë trysni mbi pajisje; lëreni pajisjen që të punojë për ju

## KËSHILLË PËR PËRDORIMIN


- Përdorni puntot e duhura
- Kur vidhosni një vidë/pranë skajit të prerjes kryq ose një skaj të drurit, shpini paraprakisht një vrimë për të shmangur krisjen e drurit
- Kur vidhosni në dru të fortë, duhet të bëhet një shpim paraprak
- Kur shtrëngoni një vidë, mos e shtrëngoni tepër. Pasi forca e vidatorit me goditje mund ta këputë vidën. Mbajeni mjetin te vida për të parandaluar dëmtimin e kokës së vidës.
- Forca e rrotullimit varet nga kohëzgjatja e goditjes. Forca maksimale arrihet pas një goditjeje prej 6-10 sekondash.  
**! kontrolloni gjithnjë forcën e shtrëngimit me një kaçavidë dinamometrike**
- Për përdorimin optimal të mjetit, nevojitet presion i qëndrueshëm në bulon, sidomos kur hiqni një dado ose bulon.
- Për më shumë informacion, shihni [www.skil.com](http://www.skil.com)

## MIRËMBAJTJA / SHËRBIMI

- Gjithmonë mbajeni mjetin të pastër (sidomos vrimat e ajrimit D ②)  
**! hiqeni baterinë nga mjeti para se ta pastroni**
- Nëse pajisja ka defekt pavarësisht kujdesit në prodhim dhe procedurat e provave, riparimi duhet të kryhet nga një qendër e shërbimit pas shitjes për veglat e punës të SKIL
  - dërgoni veglën të çmontuar së bashku me vërtetimin e blerjes te shitësi ose te qendra më e afërt e shërbimit e SKIL (adresat si dhe diagrami i shërbimit i veglës janë të paraqitura në [www.skil.com](http://www.skil.com))
- Kini parasysh se dëmtimet për shkak të mbingarkesës ose manovrimit të papërshtatshëm të veglës janë të përgjashura nga garancia (për kushtet e garancisë së SKIL vizitoni [www.skil.com](http://www.skil.com) ose pyetni shitësin tuaj)

## MJEDISI

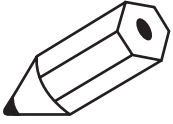
- **Mos i hidhni veglat elektrike, bateritë, aksesoret dhe paketimin së bashku me materialet e mbeturinave familjare (vetëm për vendet e BE-së)**

- në respektim të Direktivës evropiane 2012/19/EC për pajisjet elektrike dhe elektronike si mbetje dhe zbatimin e saj në përputhje me ligjet kombëtare, pajisjet elektrike që kanë arritur në fund të jetëgjatësisë së tyre duhet të mbledhen të ndara dhe të kthehen në një objekt riciklimi në përputhje me mjedisin.
- simboli  do t'ju kujtojë për këtë gjë kur të jetë nevoja për t'i hedhur

**! para hedhjes mbroni terminalët e baterisë me ngjites të fortë për të parandaluar qarkun e shkurtër**

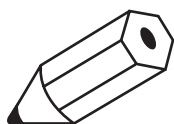
## ZHURMA / VIBRIMI

- I matur sipas EN 62841, niveli i presionit të zhurmës së këtij mjeti është 78 dB(A) dhe niveli i fuqisë së zhurmës 86 dB(A) (pasiguria K = 3 dB), dhe dridhja <math><2.5 \text{ m/s}^2</math> (shuma e vektorit triax; pasiguria K = 1,5 m/s<sup>2</sup>)
  - Niveli i emetimit të vibrimit është matur në përputhje me një provë të standardizuar të dhënë në EN 62841; ajo mund të përdoret për të krahasuar një vegël me një tjetër dhe si një vlerësim paraprak i ekspozimit ndaj vibrimit kur përdorni pajisjen për proceset e përmendura
    - përdorimi i pajisjes për procese të ndryshme, ose me aksesorë të ndryshëm dhe të mirëmbajtur keq, mund të **rritë** ndjeshëm nivelin e ekspozimit
    - kohët kur pajisja është e fikur dhe kur është e ndezur por jo në punë, mund të **zvogëlojnë** ndjeshëm nivelin e ekspozimit
- ! mbroni veten nga efektet e vibrimit duke mirëmbajtur pajisjen dhe aksesorët e saj, duke i mbajtur duart e ngrohta dhe duke organizuar mënyrën tuaj të punës**



A series of horizontal lines for writing, starting from the first line where the pencil tip touches and continuing down the page.





A series of horizontal lines for writing, starting from the tip of the pencil and extending across the page.



- ابزار را بصورت بازننشده همراه با رسید خرید به فروشنده یا نزدیک ترین مرکز خدمات رسانی SKIL بفرستید (آدرسها به همراه نموده ارتقشه های سرویس ابزار در [www.skil.com](http://www.skil.com) موجود است)
- توجه داشته باشید که خرابی و خسارت ناشی از اضافه بار یا کار کردن نادرست با ابزار مشمول ضمانت نخواهند بود (برای آگاهی از شرایط ضمانت SKIL به نشانی [www.skil.com](http://www.skil.com) مراجعه کرده یا از فروشنده خود سوال کنید)

### محیط زیست

- ابزارهای برقی، باتری ها، لوازم و بسته بندی آنها را نباید همراه با زباله های عادی خانگی دور انداخت (فقط مخصوص کشورهای عضو اتحادیه اروپا)
- یا توجه به مصوبه اروپایی EG/19/2012 اروپا درباره لوازم برقی و الکترونیکی مستعمل و اجرای این مصوبه مطابق با قوانین کشوری، ابزارهای برقی که به پایان عمر مفید خود رسیده اند باید جداگانه جمع آوری شده و به یک مرکز بازیافت مناسب و سازگار با محیط زیست انتقال یابند
- ناعلامت ① یادآور این مسئله در هنگام دور انداختن است
- ! قبل از دور انداختن باتری حتماً باید روی پایانه های باتری را با نوار چسب سنگین بپوشانید تا اتصال کوتاه نکند

### صدا / ارتعاشات

- بر طبق اندازه گیری های انجام شده بر اساس استاندارد EN 62841، میزان فشار صوتی این ابزار ۷۸ دسی بل و میزان توان صوتی آن ۸۱ دسی بل (عدم قطعیت  $K = 3$  دسی بل)، و میزان ارتعاشات آن  $> 2,5$  متر/مجدور ثانیه (جمع بردارهای سه جهت: عدم قطعیت  $K = 1,5$  متر/مجدور ثانیه) می باشد
- میزان انتشار ارتعاشات بر اساس تست استاندارد شده ای که در EN 62841 معرفی شده است اندازه گیری گردید: از این ارقام می توان برای مقایسه یک ابزار با دیگری و بعنوان ارزیابی اولیه در معرض قرارگیری ارتعاشات هنگام کار با ابزار در کاربری های فوق استفاده کرد
- استفاده کردن از ابزار برای کاربردهای متفاوت، یا با لوازم و ملتهلحات متفاوتتفرقه یا لوازم و ملتهلحاتی که بد نگهداری شده اند، می تواند میزان در معرض قرارگیری را بطور قابل ملاحظه ای افزایش دهد
- مواقعی که ابزار خاموش است یا روشن است ولی کاری با آن انجام نمی شود، میزان در معرض قرارگیری بطور قابل توجهی کاهش می یابد
- ! با نگهداری مناسب از ابزار و لوازم و ملتهلحات آن، گرم نگهداشتن دست های خود، و سازمان دهی طرح های کاری می توانید خود را در برابر اثرات ارتعاش محافظت کنید

قبل از هرگونه تنظیم یا عوض کردن متعلقات و یا حمل و قرار دادن ابزار در محل نگهداری آن مطمئن شوید که کلید B (1) در وضعیت میانی (فصل) قرار داشته باشد

#### متعلقات

• SKIL در صورتی که از متعلقات اصلی استفاده کنید عملکرد بدون مشکل ابزار را تضمین می نماید  
• متعلقات باید فقط با سرعت های چرخش مجاز که معادل بالاترین سرعت بدون بار ابزار هستند به کار برده شوند

#### پیش از استفاده

- پیچ ها، میخ ها و سایر اجزا دیگر می توانند به قطعه کاری شما آسیب بزنند؛ بنابراین پیش از شروع کار آنها را بردارید
- **قطعه کاری را محکم کنید** (اگر قطعه کاری را با گیره های جاری یا گیره های رومیزی ثابت کنید پسبما مطمئن تر از گرفتن آن با دست خواهد بود)
- برای پیدا کردن سیم و لوله های پنهان از دستگاه های دکتور مناسب استفاده کرده یا با شرکت های آب و برق و گاز محلی تماس گرفته و از آنها کمک بخواهید (تاس یا سیم های برق موجب آتش سوزی و برق گرفتگی می شود؛ آسیب رساندن به لوله های گاز سبب انفجار می شود؛ سوراخ کردن لوله های آب به ساختمان آسیب رسانده و موجب خطر برق گرفتگی می شود)

#### باتری ها

- اگر باتری به همراه محصول عرضه شده است، شماره آن کامل نیست (برای تضمین کامل بودن ظرفیت باتری باید باتری را پیش از نخستین بار استفاده از ابزار الکتریکی بطور کامل در شارژر باتری شارژ کنید)
- تنها از باتری ها و شارژرهای زیر با این ابزار استفاده کنید
  - باتری SKIL: BR1 ۳۱۰۳۳۳۳۳
  - شارژر SKIL: CR1 ۳۱۰۳۳۳۳۳
- اگر باتری آسیب دیده است از آن استفاده نکنید؛ باید فوراً آنرا عوض کنید
- باتری را از هم باز نکنید
- ابزار باتری نباید در معرض باران قرار داده شود
- دمای محیطی مجاز (ابزار شارژر باتری):
- هنگام شارژ ۴ ... ۰ درجه سانتیگراد
- هنگام کار ۲۰ ... ۰ درجه سانتیگراد
- قرار دادن در محل نگهداری ۲۰ ... ۰ درجه سانتیگراد

#### شرح علائم و نمادهای ابزار باتری

- پیش از کار حتماً دفترچه راهنما را مطالعه کنید
- اگر باتری در آتش انداخته شود امکان انفجار آن وجود دارد. بنابراین هرگز و به هیچ دلیلی باتری را نسوزانید
- ابزار شارژر را در مکانی نگهدارید که دمای آن از ۵۰ درجه سانتیگراد تجاوز نمی کند

1 ابزارهای برقی. باتری ها، آنها را نباید همراه با زباله های عادی خانگی دور انداخت

#### استفاده

- کلید ترکیبی برای روشن/خاموش کردن و کنترل دور A (2)
- با کم یا زیاد کردن فشار دست روی استارت می توانید دور را بدون پله از صفر تا حداکثر تنظیم کنید (A)
- شارژ کردن باتری
- **هشدارها و دستورالعمل های ارائه شده همراه شارژر را مطالعه کنید**
- برداشتن/قرار دادن باتری (1)
- نشانگر شارژ باتری (4)
- برای نمایش سطح کنونی باتری (4) دکمه نشانگر شارژ باتری G را فشار دهید
- **اگر با فشار دادن دکمه G (4)، b، نشانگر پایین ترین سطح باتری شروع به چشمک زدن می کند، باتری تخلیه شده است**
- **هنگامی که سطوح ۲ نشانگر باتری بعد از فشار دادن دکمه G (4) شروع به چشمک زدن می کند، باتری در محدوده دمای کاری مجاز نیست**
- محافظت باتری

- ابزار در شرایط زیر ناگهان خاموش شده و یا روشن نمی شود
- بار وارده خیلی زیاد است << بار را برداشته و دوباره راه اندازی کنید
- دمای باتری در محدوده دمای کاری مجاز ۲۰- تا ۵۰ درجه سانتیگراد نیست
- << ۲ سطوح نشانگر شارژر باتری در هنگام فشار دادن دکمه G (4) شروع به چشمک زدن می کنند؛ صبر کنید تا باتری به محدوده دمای کاری مجاز بازگردد
- باتری عملاً تخلیه شده است (برای محافظت در برابر تخلیه عمیق) << یک سطح باتری ضعیف یا سطح باتری ضعیف چشمک زن (4) b در صورت فشار دادن دکمه G روی نشانگر سطح باتری دیده خواهد شد؛ باتری را شارژ کنید
- **بعد از خاموش شدن خودکار ابزار کلید روشن/خاموش را مرتب فشار ندهید؛**

#### امکان دارد باتری آسیب ببیند

- چراغ LED (1)
- هنگامی که کلید روشن/خاموش را فعال می کنید، چراغ LED بطور خودکار روشن می شود
- **وقتی سیستم محافظت باتری فعال شده باشد، چراغ DEL شروع به چشمک زدن می کند (بخش زیر را ملاحظه کنید)**
- نصب و حذف بیتها
  - برای نصب بیت، ماسوره قفلی C را جلو بکشید. بیت را در نگهدارنده بیت قرار دهید و ماسوره قفلی C را رها کنید تا بیت قفل شود. (c) (b) (a)
  - برای اینکه بدانید بیت قفل شده است، آن را به جلو بکشید (d)
  - برای برداشتن بیت، ماسوره قفلی C را به سمت جلو بکشید
  - فقط از بیت های دارای گیرنده تویی استفاده کنید. بیت های دیگر را می توان با نگهدارنده یونیورسال با گیرنده تویی استفاده کرد
  - **اگر ساقه بیت آسیب دیده است نباید از آن استفاده کنید**
- تغییر جهت چرخش (1)
  - کلید A (2) در صورتی که درست در وضعیت چپ/راست تنظیم نشده باشد، فعال نخواهد شد
  - فقط زمانی جهت چرخش ابزار را عوض کنید که ابزار در حالت توقف کامل باشد
- انتخاب حالت (3)
  - هنگامی که ابزار، رو چرخش رو به جلو یا رو به عقب تنظیم شده، دکمه سرعت E را فشار دهید تا حالت سفتی یا شلی مطلوب انتخاب شود:

#### حالت سرعت پایین (3a)

- سفت شدن یا شل شدن یا نیروی کمتر و سرعت پایین
- برای پیچ های کوچکتر

#### حالت سرعت بالا (3b)

- بیا نیروی و سرعت بالا سفت شدن یا شل می کند
- برای پیچ های بزرگ

#### حالت کنترل (3c)

- شروع آهسته کار برای کمک به قرارگیری پیچ در چوب
- بعد از قرار گرفتن پیچ، سرعت بطور خودکار افزایش می یابد
- برای پیچ های بلند، علی الخصوص پیچ های PHILLIPS/POZIDRIV
- **حالت کنترل فقط در چرخش رو به جلو کار می کند؛ در چرخش رو به عقب از سرعت متوسط استفاده می شود**
- **حالت ها را فقط می توان از فشار دادن مختصر کلید روشن/خاموش (DEL) سبز فعال می شوند) و وقتی که ابزار به توقف کامل رسیده است تغییر داد**

#### نگهداشتن و هدایت ابزار (4)

- **هنگام کار باید همیشه ابزار را از جا(های) دست خاکستری رنگ بگیرد**
- شیارهای تهبویه D (1) را مسدود نکنید
- فشار بیش از حد به ابزار وارد نکنید؛ بگذارید ابزار به جای شما کار کند

#### توصیه های کاربردی

- از سرمه های مناسب استفاده کنید
- هنگام سفت کردن یک پیچ درکنار لبه یا مقطع برش یک تکه چوب، ابتدا یک سوراخ ایجاد کنید تا چوب ترک نخورد
- اگر می خواهید چوب های سفت را پیچ کنید باید ابتدا یک سوراخ ایجاد کنید
- هنگام سفت کردن پیچ، بیش از حد آن را سفت نکنید. زیرا نیروی درایور ضربه ای می تواند بست را بشکند. برای جلوگیری از آسیب رساندن به سر بست، ابزار را در یک راستا با پیچ نگه دارید.
- گشتاور به مدت اعمال ضربه بستگی دارد. حداکثر گشتاور بعد از ۱-۱ ثانیه اعمال ضربه حاصل می شود.
- **همیشه میزان گشتاور سفت کردن را با یک درایور گشتاور چک کنید**
- برای عملکرد بهینه ابزار باید فشار یکساخت رو پیچ وارد شود. بخصوص موقعی که بست را خارج می کنید.
- برای اطلاعات بیشتر به [www.skil.com](http://www.skil.com) مراجعه کنید

#### نگهداری / سرویس - خدمات

- همیشه ابزار را تمیز نگه دارید (بخصوص شیارهای تهبویه D (1))
- **پیش از تمیز کردن باید باتری را از ابزار جدا کنید**
- اگر ابزار علیرغم تمام دقت و مراقبتی که در فرایندهای تولید و تست بکار برده شده از کار افتاد، تعمیرات باید فقط در مراکز خدمات پس از فروش ابزارهای برقی SKIL انجام شود

ت) **دستگاه** را از باران و رطوبت دور نگهدارید. نفوذ آب به ابزار الکتریکی. خطر شوک الکتریکی را افزایش می دهد.

ث) از سیم به درستی استفاده کنید. از سیم دستگاه برای کارهایی چون حمل ابزار الکتریکی، آویزان کردن آن و یا خارج کردن دوشاخه از برق استفاده نکنید. دستگاه را در مشایل حرارت، روغن، لبه های تیز و بخش های متحرک دستگاه دور نگهدارید. کابل های آسیب دیده و یا گره خورده خطر شوک الکتریکی را افزایش می دهند.

ج) در صورتیکه با ابزار الکتریکی در محیط باز کار می کنید. تنها از کابل را بطی استفاده کنید که برای محیط باز نیز مناسب باشد. کابل های رابط مناسب برای محیط باز خطر برق گرفتگی را کم می کنند.

ح) در صورت لزوم کار با ابزار الکتریکی در محیط و امکان مرطوب. در اینصورت باید از یک کلید حفاظتی جریان خطا و نشستی زمین (کلید قطع کننده اتصال با زمین) استفاده کنید. استفاده از کلید حفاظتی جریان خطا و نشستی زمین خطر برق گرفتگی را کمتر می کند.

ح<sup>۳</sup>) رعایت ایمنی اشخاص

ا) حواس خود را خوب جمع کنید. به کار خود دقت کنید و با فکر و هوش کامل با ابزار الکتریکی کار کنید. در صورت خستگی و یا در صورتیکه مواد مخدر، الکل و دارو استفاده کرده اید. با ابزار الکتریکی کار نکنید. یک خطه بی توجهی هنگام کار با ابزار الکتریکی. میتواند جراحات های شدیدی به همراه داشته باشد.

ب) همواره از تجهیزات ایمنی شخصی استفاده کنید. همواره از عینک ایمنی استفاده کنید. استفاده از تجهیزات ایمنی مانند ماسک ایمنی. کفش های ایمنی ضد لغزش. کلاه ایمنی و گوشی ایمنی مناسب با نوع کار با ابزار الکتریکی. خطر مجروح شدن را تقلیل می دهد.

ت) مواظب باشید که ابزار الکتریکی بطور ناخواسته بکار نیفتد. قبل از وارد کردن دوشاخه دستگاه در پریز برق، اتصال آن به باطری، برداشتن آن و یا حمل دستگاه. باید دقت کنید که ابزار الکتریکی خاموش باشد. در صورتیکه هنگام حمل دستگاه انگشت شما روی دکمه قطع و وصل باشد و یا دستگاه را در حالت روشن به برق بزنید. ممکن است سوانح کاری پیش آید.

ث) قبل از روشن کردن ابزار الکتریکی. باید همه ابزار های تنظیم کننده و آچار ها را از روی دستگاه بردارید. ابزارو آچارهایی که روی بخش های چرخنده دستگاه قرار دارند. می توانند باعث ایجاد جراحات شوند.

ج) بیش از حد به آنها نزدیک نشوید. برای کار جای مطمئنی برای خود انتخاب کرده و تعادل خود را همواره حفظ کنید. به این ترتیب می توانید ابزار الکتریکی را در وضعیت های غیر منتظره بهتر تحت کنترل داشته باشید.

ح) لباس مناسب بپوشید. از پوشیدن لباس های فراخ و حمل زینت آلات خود داری کنید. موها، لباس و دستکش ها را از بخش های در حال چرخش دستگاه دور نگهدارید. لباس های فراخ. موی بلند و زینت آلات ممکن است در قسمت های در حال چرخش دستگاه گیر کنند.

خ) در صورتیکه می توانید وسایل مکش گرد و غبار و یا وسیله جذب زائده را به دستگاه نصب کنید. باید مطمئن شوید که این وسایل نصب و درست استفاده می شوند. استفاده از وسایل مکش گرد و غبار مصونیت شما را برابر گرد و غبار زیاد تر می کند.

د) اجازه ندهید آشنایی و تسلط حاصل از استفاده مکرر از ابزارها باعث شود احساس نیاز به رعایت قواعد نکرده و به قوانین ایمنی ابزار بی توجهی کنید یک عمل از روی بی دقتی می تواند در کسری از ثانیه موجب جراحات شدید شود

۴) استفاده صحیح از ابزار الکتریکی و مراقبت از آن  
ا) از وارد کردن فشار زیاد روی دستگاه خود داری کنید. برای هر کاری. از ابزار الکتریکی مناسب با آن استفاده کنید. بکار گرفتن ابزار الکتریکی مناسب باعث می شود که بتوانید از توان دستگاه بهتر و باطمینان بیشتری استفاده کنید.

ب) در صورت ایراد در کلید قطع و وصل ابزار برقی. از دستگاه استفاده نکنید. ابزار الکتریکی که نمی توان آنها را قطع و وصل کرد. خطرناک بوده و باید تعمیر شوند.

ت) قبل از تنظیم ابزار الکتریکی. تعویض متعلقات و یا کنار گذاشتن آن. دوشاخه را از برق کشیده و یا باطری آنرا خارج کنید. رعایت این اقدامات پیشگیری ایمنی از راه افتادن ناخواسته ابزار الکتریکی جلوگیری می کند.

ث) ابزار الکتریکی را در صورت عدم استفاده. از دسترس کودکان دور نگهدارید. اجازه ندهید که افراد نا وارد و یا اشخاصی که این دفترچه به راهنما را نخوانده اند. با این دستگاه کار کنند. قرار گرفتن ابزار الکتریکی در دست افراد ناوارد و بی تجربه خطرناک است.

ج) از ابزار الکتریکی خوب مراقبت کنید. مواظب باشید که قسمت های متحرک دستگاه خوب کار کرده و گیر نکنند. همچنین دقت کنید که قطعات ابزار الکتریکی شکسته و یا آسیب دیده نباشند. قطعات آسیب دیده را قبل از شروع به کار تعمیر کنید. علت بسیاری از سوانح کاری. عدم مراقبت کامل از

ابزارهای الکتریکی می باشد.

ح) ابزار برش را تیز و تمیز نگهدارید. ابزار برشی که خوب مراقبت شده و از لبه های تیز برخوردارند. کمتر درقطعه کار گیر کرده و بهتر قابل هدایت می باشند.

خ) ابزارهای الکتریکی. متعلقات. ابزاری که روی دستگاه نصب می شوند و غیره را مطابق دستورات این جزوه راهنما طوری به کار گیرید که با مدل این دستگاه تناسب داشته باشند. همچنین به شرایط کاری و نوع کار توجه کنید. کاربرد ابزار برقی برای موارد کاری که برای آن در نظر گرفته نشده است. میتواند شرایط خطرناکی را منجر شود.

د) دسته ها و سطوح دستگیره ها را خشک. تمیز و عاری از روغن و گریس نگه دارید با دسته ها و سطوح دستگیره های لیز می توان در شرایط غیرمنتظره بطور ایمن با ابزار کار کرد و کنترل آنرا داشت

۵) مراقبت و طرز استفاده از ابزارهای شارژی  
ا) باطری ها را منحصراً در دستگاههای شارژر کنید که توسط سازنده توصیه شده باشند. در صورتیکه برای شارژ باطری. آنرا در شارژری قرار دهید که برای آن باطری ساخته نشده است. خطر آتشسوزی وجود دارد.

ب) در ابزار آلات الکتریکی. فقط از باطری هایی استفاده کنید که برای آن در نظر گرفته شده اند. استفاده از باطری های متفرقه می تواند منجر به جراحات و حریق گردد.

ت) در صورت عدم استفاده از باطری باید آنرا از گبره های فلزی. سکه. کلید. میخ. پیچ و دیگر وسایل کوچک فلزی دور نگه دارید. زیرا این وسایل ممکن است باعث ایجاد اتصال شوند. ایجاد اتصال بین دو قطب باطری (ترمینالهای باطری) میتواند باعث سوختگی و ایجاد حریق شود.

ث) استفاده بی رویه از باطری میتواند باعث خروج مایعات از آن شود. از دست زدن به آن خود داری کنید. در صورت تماس اتفاقی با آن. دست خود را با آب بشوئید. در صورت آلوده شدن چشم با این مایع. باید به پزشک مراجعه کنید. مایع خارج شده از باطری میتواند باعث التهاب پوست و سوختگی شود.

ج) اگر یک بسته باطری یا ابزار آسیب دیده یا دستکاری شده اند. نباید از آنها استفاده کنید. باطری های آسیب دیده یا دستکاری شده ممکن است کارکرد غیرقابل پیش بینی داشته و منجر به آتش سوزی یا انفجار شده و یا خطر جراحات ایجاد کنند.

ح) یک بسته باطری یا ابزار را در معرض آتش یا دماهای خیلی زیاد قرار ندهید. قرار دادن در معرض آتش یا دمای بالاتر از ۳۰- درجه سانتیگراد می تواند باعث انفجار گردد.

خ) تمام دستوراتالعمل های شارژ را رعایت کرده و بسته باطری یا ابزار را در خارج از محدوده دمای ذکر شده در راهنما شارژر نکنید. شارژ نادرست یا شارژ کردن در دماهای خارج از محدوده ذکر شده می تواند به باطری آسیب رسانده و خطر آتش سوزی را بالا ببرد.

۶) سرپس

ا) برای تعمیر ابزار الکتریکی فقط به متخصصین حرفه ای رجوع کرده و از وسایل یدکی اصل استفاده کنید. این باعث خواهد شد که ایمنی دستگاه شما تضمین گردد.

ب) هرگز بسته های باطری آسیب دیده را سرپس نکنید. عملیات سرپس بسته های باطری باید فقط توسط سازنده یا مراکز خدماتی مجاز انجام شود.

#### هشدارهای ایمنی برای پیچ گوشه‌ی ضربه ای شارژی

• اگر از ابزار در مواردی استفاده می کنید که امکان دارد بستهای آن با سیم های پنهان شده تماس پیدا کنند. باید ابزار را از جای دست های مخصوص عایق آن بگیرید (تاس بستهای ابزار یا سیم دار" ای برق دار" می تواند در بخش های فلزی دستگاه نیز جریان "ایر" تولید کرده و موجب برق گرفتگی استفاده کننده شود)

#### عمومی

- گرد و خاکی که از موادی مانند رنگ های حاوی سرب. برخی گونه های چوب. مواد معدنی و فلزات بلند می شود می تواند خطرناک باشد (تاس با این گرد و خاکها و یا تنفس آنها می تواند در کاربران ابزار یا افراد نزدیک به محل کار واکنش های حساسیتی وایا بیماری های تنفسی ایجاد کند؛ یک ماسک مخصوص گرد و خاک بزنید و در صورت امکان از یک وسیله مکش گرد و خاک استفاده کنید برخی از گرد و خاکها (مانند گرد و خاکی که از چوب بلوط یا راش بلند می شود) علی الخصوص در مجاورت افزودنی های مخصوص سرب. سرطان زا هستند؛ یک ماسک مخصوص گرد و خاک بزنید و در صورت امکان از یک وسیله مکش گرد و خاک استفاده کنید
- از مقررات ملی مربوط به گرد و خاک موادی که می خواهید با آنها کار کنید پیروی نمایید
- با موادی حاوی آزنست کار نکنید (آزنست سرطان زااست)

- زیاده السرعة تلقائياً عند غرس البرغي:

- للبرغي الطويلة، خاصة براغي PHILLIPS/POZIDRIV

! يتوقف وضع التحكم فقط مع الدوران الأمامي: في الدوران العكسي يتم استخدامه للسرعة المتوسطة:

! يمكن تغيير الأوضاع فقط بعد الضغط بخفة على مفتاح تشغيل/إيقاف (يتم تنشيط مصباح (مصباح) DEL الخضراء) وعند توقف الأداة تماماً:

• إمساك الأداة وتوجيهها (14)

! أثناء العمل، امسك الأداة دائماً من منطقة (مناطق) المقبض رمادية اللون

- احرص على أن تكون فتحات التهوية D غير مغطاة:

- لا تضغط بشدة على الأداة، بل اتركها تقوم بالعمل من أجلك:

## توصيات الاستخدام

- استخدام السنون الملائمة
- عند ربط برغي في/بالقرب من طرف مقطع عرضي أو حافة قطع خشبية يجب عمل ثقب خضيري لفتحة، تفادياً لحدوث تشقق بالخشب.
- عند ربط مسمار في خشب صلب، يجب عمل ثقب مسبق
- عند إحكام ربط مسمار، لا تربط بشكل زائد عن الحد، لأن قوة مفك الربط بالمصدات يمكن أن تكسر عنصر التثبيت، امسك الآلة بحاذة المسمار لمنع تلف رأس عنصر التثبيت.
- يعتمد عزم الدوران على مدة التصادم، يتم تحقيق أقصى عزم للدوران بعد مدة عمل بالمصدات تتراوح ما بين 1 إلى 10 ثوانٍ.
- ! احرص دائماً على التحقق من العزم باستخدام مفك عزم
- للاستخدام الأمثل للآلة، يتطلب الأمر الضغط بنبات على البرغي، وبالأخص عند فك عنصر تثبيت.
- لمزيد من المعلومات، زر موقعنا [www.skil.com](http://www.skil.com)

## الصيانة / الخدمة

- احرص دائماً على نظافة الأداة (وخصوصاً فتحات التهوية D (1))
- ! أزل البطارية من الأداة قبل التنظيف
- إذا تعذر تشغيل الأداة على الرغم من الحذر الشديد في إجراءات التصنيع والاختبار، فيجب القيام بالإصلاحات بواسطة مركز خدمة ما بعد البيع لأدوات الطاقة التابع لشركة SKIL.
- قم بإرسال الأداة دون تفكيكها بالإضافة إلى إثبات الشراء إلى البائع أو أقرب محطة خدمة SKIL (العائون بالإضافة إلى مخطط الخدمة متاحان على [www.skil.com](http://www.skil.com))
- كن على علم بأن التلف الناتج من زيادة التحميل أو التعامل مع الأداة بطريقة خاطئة سيتم استثناءه من الضمان (لعرفة شروط ضمان SKIL انظر [www.skil.com](http://www.skil.com) أو قم بسؤال بائع المعدات)

## البيئة المحيطة

- لا تتخلص من الأدوات الكهربائية والبطاريات والملحقات ومواد التغليف مع النفايات المنزلية (الدول الاتحاد الأوروبي فقط):
- وفقاً للتوجيه الأوروبي 2002/96/EC حول نفايات المعدات الكهربائية والإلكترونية وتطبيقه بالتوافق مع القانون المحلي، يجب جميع الأدوات الكهربائية منتهية الصلاحية بشكل منفصل وإرسالها إلى أحد منشآت إعادة التصنيع المتوافقة مع البيئة
- سيدركك الرمز (14) بهذا عند الحاجة إلى التخلص من أية أداة:
- ! قبل التخلص من البطارية، قم بحماية الأطراف بشرط قوي لمنع حدوث دائرة قصيرة

## الضوضاء / الاهتزاز

- عند القياس بالتوافق مع EN 12841 يكون مستوى ضغط صوت هذه الأداة هو 78 ديسيبل (أ) ومستوى صوت الطاقة 81 ديسيبل (أ) (الاحتمالية K = 3 ديسيبل)، والاهتزاز 2,0 م/ث<sup>2</sup> (مجموعة الكميات الوجهة: الاحتمالية K = 1,5 م/ث<sup>2</sup>)
- تم قياس مستوى الاهتزازات بالتوافق مع الاختبار المعياري المحدد في EN 12841: يمكن استخدامه لمقارنة أداة بأداة أخرى وتقييم تمهيدى للتعرض للاهتزاز عند استخدام الأداة في التطبيقات الموضحة:
- قد يؤدي استخدام الأداة في تطبيقات مختلفة أو مع ملحقات مختلفة أو ذات صيانة رديئة إلى زيادة مستوى التعرض بصورة كبيرة:
- إن الفترة الزمنية التي يتم خلالها إيقاف تشغيل الأداة أو عندما تكون قيد التشغيل لكنها لا تؤدي أية مهام، تؤدي إلى تقليل مستوى التعرض بصورة كبيرة:
- ! قم بحماية نفسك من تأثيرات الاهتزاز من خلال صيانة الأداة وملحقاتها.

والحفاظ على يدك داغتين وتنظيم أحمال العمل لديك:

FA

٣٢١١

## يزارش سل شارب يا هبرض هتم

### مقدمه

- این ابزار برای بیستن و شل کردن پیچ ها می باشد
- لطفاً از وجود تمام قسمت‌های نمایش داده شده در تصویر (1) در بسته بندی محصول اطمینان حاصل کنید
- در صورت مفقود شدن یا آسیب دیدن قطعات، لطفاً با فروشنده خود تماس بگیرید
- لطفاً این دفترچه راهنما را مطالعه کنید و نزد خود نگه دارید (2)
- به دستورالعمل‌های ایمنی و هشدارها دقیقاً توجه کنید: عدم رعایت این هشدارها و دستورالعمل‌ها ممکن است به بروز آسیب شدید منجر شود

### اطلاعات فنی (1)

حداکثر گشتاور برای استفاده بعنوان پیچ گوشتی بر اساس ISO 5292: 2005 نیوتن متر

### اجزای ابزار (2)

- A کلید روشن/خاموش و کنترل دور
- B کلید تغییر جهت چرخش
- C ماسوره قفل
- D شیارهای تهویه
- E دکمه سرعت
- F چراغ DEL
- G نشانگر شارژ باتری
- H بیت درایور ۰۵ میلی‌متر

### ایمنی

راهنمایی های ایمنی عمومی برای ابزارهای الکتریکی

**FA هشدار تمامی هشدارهای ایمنی، دستورالعمل ها، تصاویر و مشخصات فنی ارائه شده همراه با این ابزار الکتریکی را مطالعه کنید در صورت عدم رعایت هشدارهای زیر خطر برق گرفتگی، آتش سوزی و/یا بروز جراحت های شدید وجود خواهد داشت.**

همه هشدارها و راهنمایی ها را برای استفاده آتی نگهداری کنید.

در این هشدارها عبارت "ابزار الکتریکی" به معنی ابزارهای الکتریکی فاقد باتری (با سیم برق) و یا ابزارهای الکتریکی باتری دار (شارژی) است

- 1) ایمنی محل کار
  - أ) محل کار خود را تمیز، مرتب و مجهز به نور کافی نگهدارید. محیط کار نامرتب و کم نور میتواند باعث سوانح کاری شود.
  - ب) با ابزار الکتریکی در محیط هایی که در آن خطر انفجار وجود داشته و حاوی مایعات، گازها و غبارهای محترقه باشد، کار نکنید. ابزارهای الکتریکی جرقه های ایجاد می کنند که می توانند باعث آتش گرفتن گرد و بخار های موجود در هوا شوند.
  - ت) هنگام کار با ابزار الکتریکی، کودکان و سایر افراد را از دستگاه دور نگهدارید. در صورتیکه حواس شما پرت شود، ممکن است کنترل دستگاه از دست شما خارج شود.
- 2) ایمنی الکتریکی
  - أ) دوشاخه ابزار الکتریکی باید با پریز برق تناسب داشته باشد. هیچگونه تغییری در دوشاخه ندهید. مبدل دوشاخه نباید همراه با ابزار الکتریکی دارای اتصال به زمین (ارت شده) استفاده شود. مبدل دوشاخه نباید همراه با ابزار الکتریکی دارای اتصال به زمین (ارت شده) استفاده شود.
  - ب) از تماس بدنی با قطعات دارای سیم اتصال به زمین (ارت شده) مانند لوله، شوفاژ، اجاق برقی و یخچال خود داری کنید. در صورتیکه بدن شما با سیم دارای اتصال به زمین (ارت شده) تماس پیدا کند، خطر برق گرفتگی بیشتر خواهد شد.

- التي قد تقوم بتوصيل الملامسين ببعضهما البعض. قد يؤدي تقصير الدارة الكهربائية بين ملامس المركب على الإحتراق أو إلى إندلاع النار.
- د) قد يتسرب السائل من المركب عند سوء الإستعمال. تجنب ملامسته. اشطفه بآماء في حال ملامسته صدفة. إن وصل السائل إلى العينين، فراجع الطبيب إضافة إلى ذلك قد يؤدي سائل المركب المنسرب إلى تهيج البشرة أو إلى الإحترق.
- ج) لا تستخدم حزمة بطاريات أو أداة تالفة أو معدلة. قد تظهر البطاريات التالفة أو المعدلة سلوكيات غير متوقعة ينجم عنها حدوث حريق أو انفجار أو خطر التعرض للإصابة.
- ح) تجنب تعريض حزمة البطاريات أو الأداة للهب أو درجة الحرارة الزائدة. التعريض للهب أو درجة حرارة أعلى من ١٠٣١ درجة مئوية قد يتسبب في حدوث انفجار.
- خ) اتبع كل تعليمات الشحن ولا تقم بشحن حزمة البطاريات أو الأداة خارج نطاق درجة الحرارة المحدد في التعليمات. إن الشحن على نحو غير صحيح أو عند درجات حرارة تتجاوز النطاق المحدد قد يتسبب في تلف البطارية وزيادة خطر حدوث حريق.
- ١) الخدمة
- أ) اسمح بتصليح عدتك الكهربائية فقط من قبل المتخصصين فقط واستعمال قطع الغيار الأصلية. يؤمن ذلك المحافظة على أمان الجهاز.
- ب) تجنب تماماً خدمة حزم بطاريات تالفة. ينبغي إجراء أعمال الخدمة على حزم البطاريات بمعرفة الشركة المصنعة أو مزودي الخدمة المعتمدين فقط.

#### تعليمات السلامة لفكات البراغي اللاسلكية

- امسك بالأداة الكهربائية بواسطة أسطح إمساك معزولة وذلك عند القيام بأعمال قد يتعرض الأبرم من خلالها إلى التلامس مع أسلاك غير ظاهرة (تلامس الأبرم مع سلك متصل بالكهرباء" سيؤدي إلى "وصول التيار الكهربائي" إلى الأجزاء المعدنية المكشوفة في الأداة الكهربائية وقد يعرض المشغل لصدمة كهربائية)
- معلومات عامة
- الغبار الناتج من المواد كالتلأل الذي يحتوي على رصاص وبعض أنواع الأخشاب والعيان والكمونات المعدنية قد يكون ضاراً (ملازمة) أو استنشاق الغبار قد تتسبب في إصابة المشغل أو من يجاوره بأمراض الحساسية وأو أمراض الجهاز التنفسي؛
- قم بارتداء قناع للغبار مع العمل باستخدام جهاز شفط للغبار. طالما أمكن توصيله
- ثمة أنواع معينة من الغبار تُصنّف على أنها مواد مسببة للسرطان (مثل غبار خشب البوط والزنان) خاصة عند استخدامها مع مواد مضافة لمعالجة الخشب؛ قم بارتداء قناع للغبار مع العمل باستخدام جهاز شفط للغبار. طالما أمكن توصيله
- التزم بالتعليمات الوطنية الخاصة بالغبار عند العمل باستخدام المواد المطلوبة
- لا تعمل باستخدام مواد تشتمل على الأسبستوس (يعبر الأسبستوس مادة مسرطنة)؛
- تأكد من أن لفناب B ① في الوضع المركزي (الفعل) قبل إجراء أية تعديلات أو تغيير الملحقات وكذلك عند حمل أو تخزين الأداة

- تضمن SKIL التشغيل السليم للأداة فقط عند استخدام الملحقات الأصلية؛
- استخدم فقط الملحقات بالسرعة المسموح بها. والتي توافق على الأقل أعلى سرعة للأداة بدون حمل؛

#### قبل الاستخدام

- تجنب التلف الذي قد تتسبب فيه البراغي والمسامير والعناصر الأخرى الموجودة في القطعة التي تعمل بها. قم بفكهم قبل بدء العمل؛
- ثبت قطعة العمل (الإمساك بقطعة عمل مثبتة بأجهزة تثبيت أو في ملزمة أكثر أمناً من مسكها باليد)؛
- استخدم كاشفات ملائمة للعثور على خط المرافق أو اطلب شركة المرافق المحلية للحصول على مساعدة (التلامس مع خطوط إمداد الكهرباء قد يؤدي إلى حدوث حريق أو صدمة كهربائية؛ وتلف خط الغاز قد يؤدي إلى حدوث انفجار؛ واختراق أنابيب المياه سيتسبب في حدوث ضرر في الممتلكات أو صدمة كهربائية)؛

#### البطاريات

- البطارية المرفقة - إن وجدت - مشحونة جزئياً (ضمان السعة الكاملة للبطارية. قم بشحن البطارية بالكامل في شاحن البطارية قبل استخدام الأداة الكهربائية لأول مرة)
- استخدم البطاريات والشواحن التي ترد مع هذه الأداة فقط
- بطارية BR: SKIL: ١٠٣١٠٠٠٠
- شاحن CR: SKIL: ٣١٠٠٠٠
- لا تستخدم البطارية إذا تعرضت للتلف؛ يجب استبدالها على الفور
- لا تقم بتفكيك البطارية
- لا تعرض الأداة/البطارية للأمتار
- درجة الحرارة المحيطة المسموح بها (الأداة/الشاحن/البطارية):

- عند الشحن ٤...٤٠% مئوية
  - أثناء التشغيل ٠-٢٠...٥٠+ مئوية
  - أثناء التخزين ٠-٢٠...٥٠+ مئوية
- شرح الرموز الموجودة على الأداة/البطارية
- ② قم بقراءة دليل الإرشادات قبل الاستخدام
- ④ قد تتفجر البطاريات عندما يتم التخلص منها بإشعال النار بها. لذا لا تقم بإحراقها لأي سبب من الأسباب
- ④ قم بتخزين الأداة/الشاحن/البطارية في أماكن لا تتجاوز درجة الحرارة فيها ٥٠ درجة مئوية؛
- ① لا تتخلص من الأدوات الكهربائية والبطاريات مع النفايات المنزلية

#### الاستخدام

- مفتاح متعدد الوظائف للتشغيل/إيقاف التشغيل والتحكم في السرعة A ⑤
- يتحكم في السرعة من الصفر وحتى السرعة القصوى على نحو غير متدرج بالضغط أكثر أو أقل على الزناد A ⑧
- شحن البطارية
- شح البطارية
- اقرأ حذيرات السلامة والتعليمات المرفقة بالشاحن
- فك/تركيب البطارية ①
- مين مستوى البطارية ⑨
- اضغط على زر مؤشر مستوى البطارية G لعرض مستوى البطارية الحالي ④
- عندما يبدأ المستوى الأقل في مؤشر البطارية بالوميض بعد الضغط على الزر G ④، b. تكون البطارية فارغة
- عندما يبدأ ٢ من مستويات مؤشر البطارية بالوميض بعد الضغط على الزر G ④، a. لا تكون البطارية ضمن نطاق درجة حرارة التشغيل المسموح بها
- حماية البطارية
- يتم إيقاف تشغيل الأداء أو منع تشغيلها بصورة مفاجئة عندما
- يكون الحمل زائداً --> قم بإزالة الحمل وإعادة البدء
- لا تكون درجة حرارة البطارية ضمن نطاق درجة حرارة التشغيل المسموح بها من ٢٠٠+ إلى ٥٠٠+ درجة مئوية --> يبدأ ٢ من مستويات مؤشر مستوى البطارية بالوميض عند الضغط على الزر G ④؛ انتظر حتى تعود البطارية إلى نطاق درجة حرارة التشغيل المسموح بها
- البطارية شبه فارغة (حمايتها ضد التفريغ التام للشحنة) --> يظهر انخفاض مستوى البطارية أو انخفاض مستوى البطارية الواضح ④ b من خلال مؤشر مستوى البطارية عند الضغط على زر G؛ أشحن البطارية
- لا تستمر في الضغط على مفتاح تشغيل/إيقاف تشغيل بعد إيقاف تشغيل الأداة تلقائياً. فرما تتسبب في إتلاف البطارية
- مصباح LED ⑩
- بضء مصباح LED تلقائياً عند تنشيط مفتاح التشغيل/الإيقاف
- عندما يبدأ مصباح DEL في الوميض. يتم تنشيط خاصية حماية البطارية (انظر أعلاه)
- تركيب اللقم وخلعها
- لتركيب اللقمة. اسحب جلبة القفل C إلى الأمام وأدخل اللقمة في حامل اللقمة وحرر جلبة القفل C لتثبيت اللقمة. ① c) ① b) ① a)
- اسحب اللقمة إلى الأمام للتأكد من ثباتها ① d)
- خلع اللقمة. اسحب جلبة القفل C إلى الأمام
- لا تستخدم اللقم إلا مع الماسك الكروي. بينما اللقم الأخرى يمكن استخدامها مع حامل اللقم الشامل المزود بالماسك الكروي
- لا تستخدم لقمة خلعها تالف
- تغيير اتجاه الدوران ⑫
- في حالة عدم الضبط في الوضع الأيسر/الأيمن بشكل صحيح A ① بتعدز تنشيط المفتاح
- لا يتم تغيير اتجاه الدوران إلا عند توقف حركة الأداة تماماً.
- تحديد الوضع ⑬
- اضغط على زر السرعة E لتحديد وضع الربط أو الفك المطلوب عند ضبط الآلة على الدوران إلى الأمام أو الخلف.
- وضع السرعة المنخفضة (a) ⑭
- الربط أو الفك بقوة أقل وسرعة منخفضة
- للبراغي الأصغر حجماً؛
- وضع السرعة العالية (b) ⑭
- الربط أو الفك بقوة وسرعة عالية
- للبراغي والمسامير كبيرة الحجم؛
- وضع التحكم (c) ⑭
- ابدأ ببطء في المساعدة في غرس البرغي في الخشب؛

## شرف نودب يكل سال ال ايم فصل ا ك فمل ا ٣٢١١

## مقدمة

- تستخدم هذه الأداة لدرس وفك البراغي والمسامير
- تأكد من احتواء عبوة التغليف على جميع الأجزاء الموضحة في الشكل ①
- إذا كانت هناك أجزاء مفقودة أو تالفة، يرجى الاتصال بالوكيل
- اقرأ دليل التعليمات هذا واحتفظ به ②
- انتبه بشكل خاص إلى تعليمات وعذيرات السلامة: فقد يؤدي الإخفاق في الالتزام بهذه التعليمات إلى التعرض لإصابة خطيرة

## البيانات الفنية ①

أقصى عزم مستخدم لفك البراغي وفقاً لتعابير الأيزو ٥٢٩٣: ٢٥٠ نيوتن متر

## مكونات الأداة ②

- |   |   |
|---|---|
| A | مفتاح للتشغيل/الإيقاف والتحكم في السرعة |
| B | مفتاح لتغيير اتجاه الدوران              |
| C | حلبة القفل                              |
| D | فتحات التهوية                           |
| E | زر السرعة                               |
| F | مصباح DEL                               |
| G | مبين مستوى البطارية                     |
| H | لقمة ربط مقاس ٥ م                       |

## أمان

عذيرات السلامة العامة للأداة الكهربائية

اقرأ عذير أمان كل عذيرات السلامة والتعليمات والأشكال الإيضاحية والمواصفات المرفقة مع هذه الأداة الكهربائية فقد يؤدي الإخفاق في الالتزام بكل التعليمات المبينة فيما يلي إلى التعرض لصدمة كهربائية وأذى حرق أو إصابة خطيرة:

احتفظ بكل التحذيرات للرجوع إليها في المستقبل

التحذيرات إلى الأداة الكهربائية الخاصة بك التي « الأداة الكهربائية » يشير المصطلح تعمل بطاقة المآخذ الرئيسي) باستخدام سلك (أو بطاقة البطارية بدون سلك):

- الامان يمكن الشغل
- أ) حافظ على نظافة وحسن إضاءة مكان شغلك. الفوضى في مكان الشغل ومجالات العمل الغير مضاهة قد تؤدي إلى حدوث الحوادث.
- ب) لا تشغل بالعدة الكهربائية في محيط معرض خطر الانفجار والذي تتوفر فيه السوائل أو الغازات أو الأبخرة القابلة للإشتعال. العدد الكهربائية تشكل الشرر الذي قد يتطاير فيشعل الأبخرة والأبخرة.
- ت) حافظ على بقاء الأطفال وغيرهم من الأشخاص على بعد عندما تستعمل العدة الكهربائية. قد تفقد السيطرة على الجهاز عند التلهي.
- ٢) الامان الكهربائي
- أ) يجب أن يتلامس قابس وصل العدة الكهربائية مع المقبس. لا يجوز تغيير القابس بأي حال من الأحوال. لا تستعمل القوابس المهانة مع العدد الكهربائية المؤرثة تأريض وقائي. تخضع القوابس التي لم يتم تغييرها والمقابس الملائمة من خطر الصدمات الكهربائية.
- ب) تجنب ملامسة السطوح المؤرثة كالأثنياب ورايديواتر التدفئة والمدافئ أو البرادات بواسطة جسمك. يزداد خطر الصدمات الكهربائية عندما يكون جسمك مؤرض.
- ت) أبعد العدة الكهربائية عن الأمطار أو الرطوبة. يزداد خطر الصدمات الكهربائية إن تسرب الماء إلى داخل العدة الكهربائية.
- ث) يجب عدم إساءة استخدام الكابل. لا تسن استعمال الكابل حمل العدة الكهربائية أو تعليقها أو لسحب القابيس من المقبس. حافظ على إبعاد الكابل عن الحرارة والزيت والحواف الحادة أو عن أجزاء الجهاز المتحركة. تزيد الكابلات التالفة أو المشددة من خطر الصدمات الكهربائية.
- ج) استخدم فقط كابلات التمديد الصالحة للإستعمال الخارجي أيضا عندما تشغل بالعدة الكهربائية في الخلاء. يخضع استعمال كابل تمديد مخصص للإستعمال الخارجي من خطر الصدمات الكهربائية.

ح) إن لم يكن بالإمكان عدم تشغيل العدة الكهربائية في الأجواء الرطبة، فاستخدم مفتاح للوقاية من التيار المتردد. إن استخدام مفتاح للوقاية من التيار المتردد يقلل خطر الصدمات الكهربائية.

٣) أمان الأشخاص

أ) كن يقظاً وأنتبه إلى ما تفعله وقم بالعمل بواسطة العدة الكهربائية بعقل.. لا تستخدم عدة كهربائية عندما تكون متعب أو عندما تكون تحت تأثير المخدرات أو الكحول أو الأدوية. عدم الإنبهاة للحظة واحدة عند استخدام العدة الكهربائية قد يؤدي إلى إصابة خطيرة.

ب) ارتد عتاد الوقاية الخاص، وارتد دائما نظارات واقية. يجب إرتداء عتاد الوقاية الخاص كفتاح الوقاية من الغبار وأحذية الأمان الواقية من الإنزلاق والخوذ واقية الأذنين. حسب نوع وإستعمال العدة الكهربائية. من خطر الإصابة بجروح.

ت) تجنب التشغيل بشكل غير مقصود. تأكد من كون العدة الكهربائية مطفاة قبل وصلها بإمداد التيار الكهربائي و/ أو بالمركم، وقبل رفعها أو حملها. إن كنت تضع إصبعك على المفتاح أثناء حمل العدة الكهربائية أو إن وصلت الجهاز بالشبكة الكهربائية عندما يكون قيد التشغيل، فقد يؤدي ذلك إلى حدوث الحوادث.

ث) انزع عدد الضبط أو مفتاح الربط قبل تشغيل العدة الكهربائية. قد تؤدي العدة أو المفتاح المتواجد في جزء دوار من الجهاز إلى الإصابة بجروح.

ج) تجنب أوضاع الجسم غير الطبيعية، فب أمان وحافظ على توازنك دائما. سيسمح لك ذلك من السيطرة على الجهاز بشكل أفضل في المواقف غير المتوقعة.

ح) ارتد ملابس مناسبة، لا ترتدي الثياب الفضفاضة أو الخلي. حافظ على إبقاء الشعر والثياب والقفازات على بعد عن أجزاء الجهاز المتحركة. قد تتشابك الثياب الفضفاضة والخلي والشعر الطويل بالأجزاء المتحركة.

خ) إن جاز تركيب جهاز شفط وجميع الغبار فتأكد من أنها موصولة وبأنه يتم استخدامها بشكل سليم. قد يقلل إستخدام تجهيزات لشفط الأبخرة من الخطر الناتجة عن الأبخرة.

د) لا تدع اعتيادك على الاستخدام المتكرر للأدوات يسمح لك بتجاهل مبادئ سلامة الأداة: قد يتسبب الاستخدام بدون اكترثات في حدوث إصابة بالغة في غضون ثواني:

٤) حسن معاملة واستخدام العدد الكهربائية

أ) لا تفرط في تحميل الجهاز؛ إستخدم لتنفيذ أشغالك العدة الكهربائية المخصصة لذلك. إنك تعمل بشكل أفضل وأكثر أماناً بواسطة العدة الكهربائية الملائمة في مجال الأداء المذكور.

ب) لا تستخدم العدة الكهربائية إن كان مفتاح تشغيلها تالف. العدة الكهربائية التي لم تعد تسمح بتشغيلها أو بإطافئها خطيرة ويجب أن يتم تصليحها.

ت) اسحب المقابيس من المقبس و/ أو انزع المركم قبل ضبط الجهاز وقبل إستبدال التوابع أو قبل وضع الجهاز جانباً. تمنع إجراءات الاحتياط هذه تشغيل العدة الكهربائية بشكل غير مقصود.

ث) احتفظ بالعدد الكهربائية التي لا يتم إستخدامها بعيداً عن متال الأطفال. لا تسمح باستخدام العدة الكهربائية لمن لاخيرة له بها أو لمن لم يقرأ تلك التعليمات. العدد الكهربائية خطيرة إن تم استخدامها من قبل أشخاص دون خبرة.

ج) اعترن بالعدة الكهربائية بشكل جيد. تفحص عما إذا كانت أجزاء الجهاز المتحركة تعمل بشكل سليم وبأنها غير مستعصبة عن الحركة أو إن كانت هناك أجزاء مكسورة أو تالفة لدرجة تؤثر فيها على حسن أداء العدة الكهربائية. ينبغي تصليح هذه الأجزاء التالفة قبل إعادة تشغيل الجهاز. الكثير من الحوادث مصدرها العدد الكهربائية التي تم صيانتها بشكل ردي.

ح) حافظ على إبقاء عدد القطع نظيفة وحادة. إن عدد القطع ذات حواف القطع الحادة التي تم صيانتها بعناية تتكليس بشكل أقل ويمكن توجيهها بشكل أيسر.

خ) استخدم العدد الكهربائية والتوابع وعدد التشغيل والبخ حسب هذه التعليمات. تراعى أثناء ذلك شروط الشغل والعمل المراد تنفيذها. استخدام العدد الكهربائية لتغير الأشغال المخصصة لأجلها قد يؤدي إلى حدوث الحالات الخطيرة.

د) احرض على جفاف المقابيس وأسطح الإمساك ونظافتها وخليها من الزيت والشحم؛ لا تسمح للمقابض وأسطح الإمساك الزلقة بالاستخدام والتحكم الأمن في الأداة في الحالات غير المتوقعة:

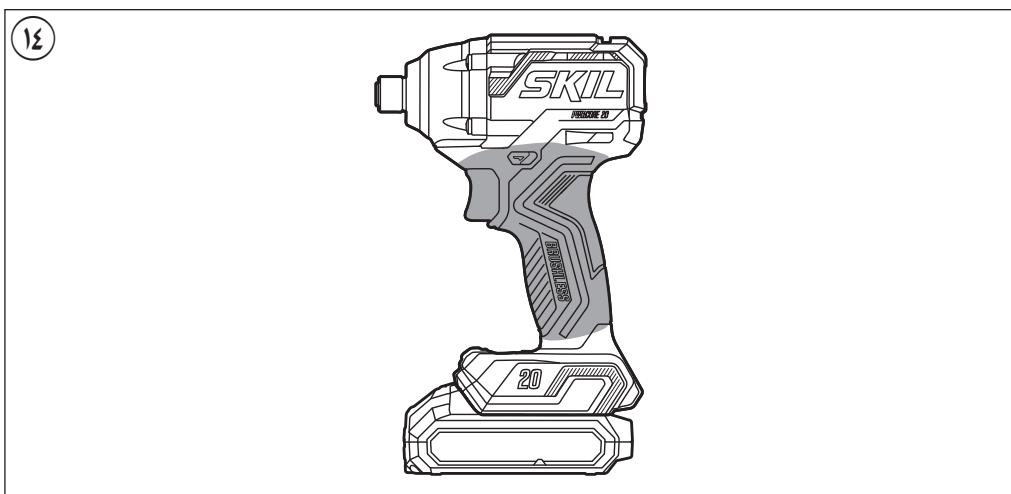
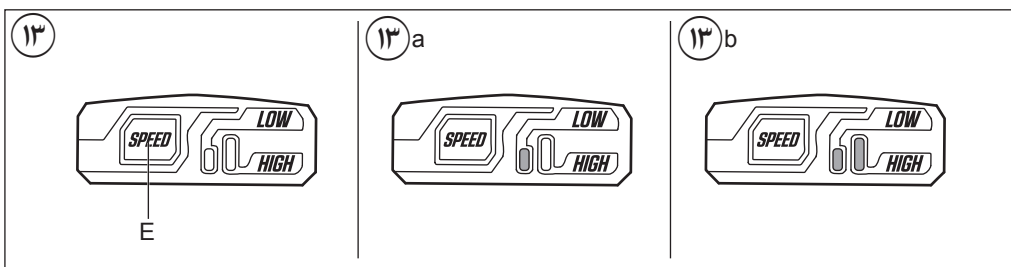
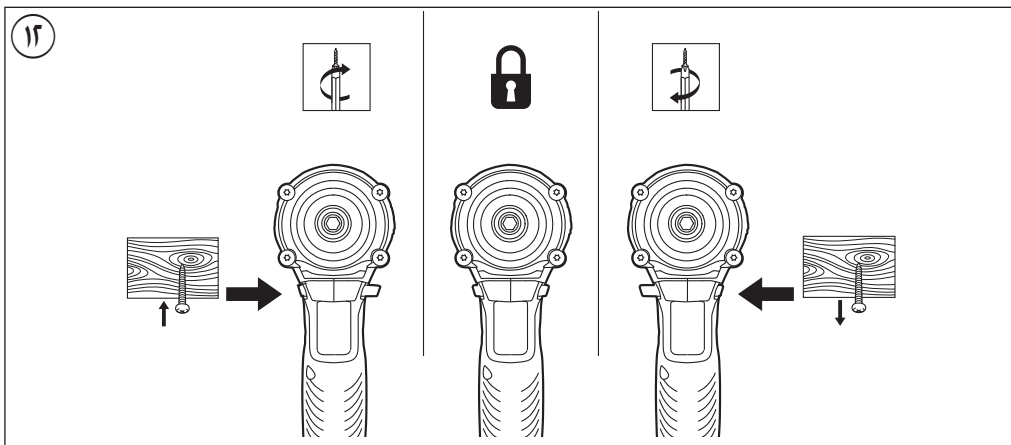
هـ) حسن معاملة واستخدام العدد المزودة بمركم

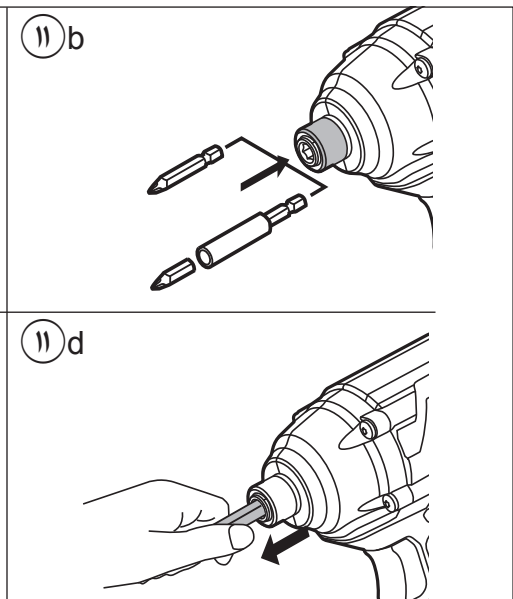
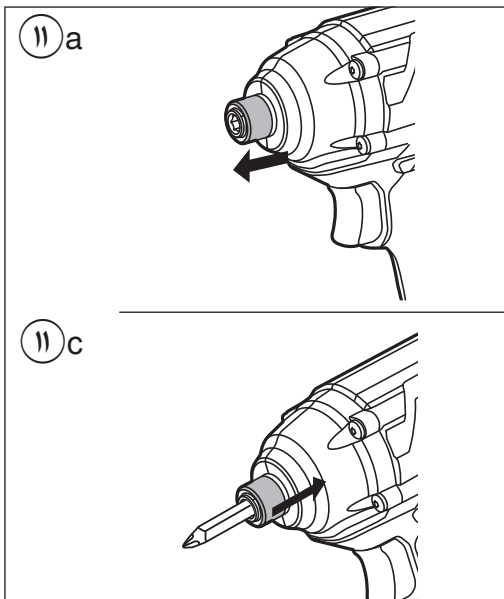
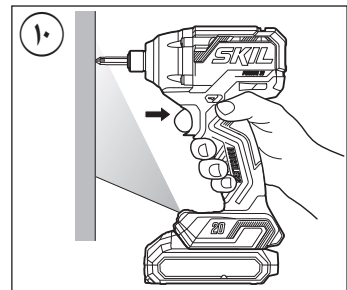
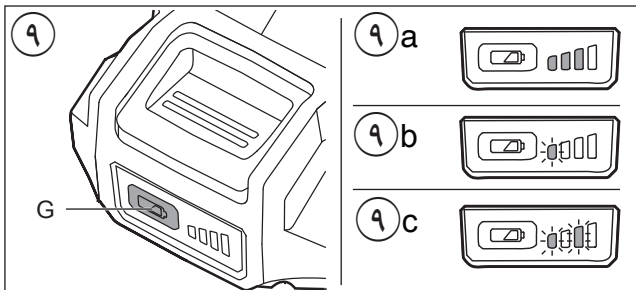
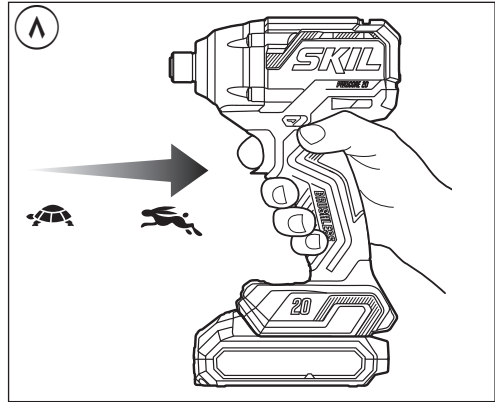
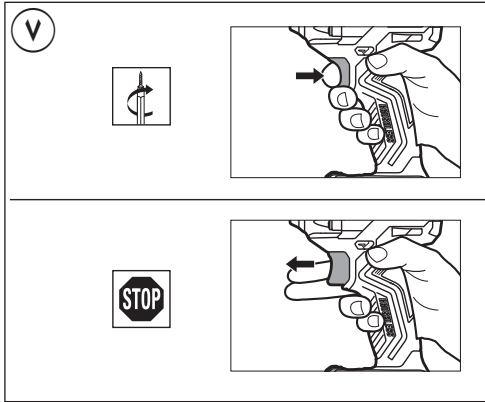
أ) اشحن المراكم فقط في أجهزة الشحن التي ينصح باستخدامها من طرف المنتج. يعم خطر نشوب الحرائق بأجهزة الشحن المخصصة لنوع معين من المراكم إن تم استخدامها مع نوع آخر من المراكم.

ب) استخدم بالعدد الكهربائية فقط المراكم المخصصة لذلك. قد يؤدي استخدام المراكم الأخرى إلى الإصابات إلى خطر نشوب الحرائق.

ت) حافظ على إبعاد المراكم الذي لا يتم إستعماله عن مشابك الورق وقطع النقود المعدنية والمفاتيح والمسامير والوالب أو غيرها من الأغراض المعدنية الصغيرة







1

3211

20V Max  
18  
Volt

2,0 Ah  
2,5 Ah  
1,4 kg

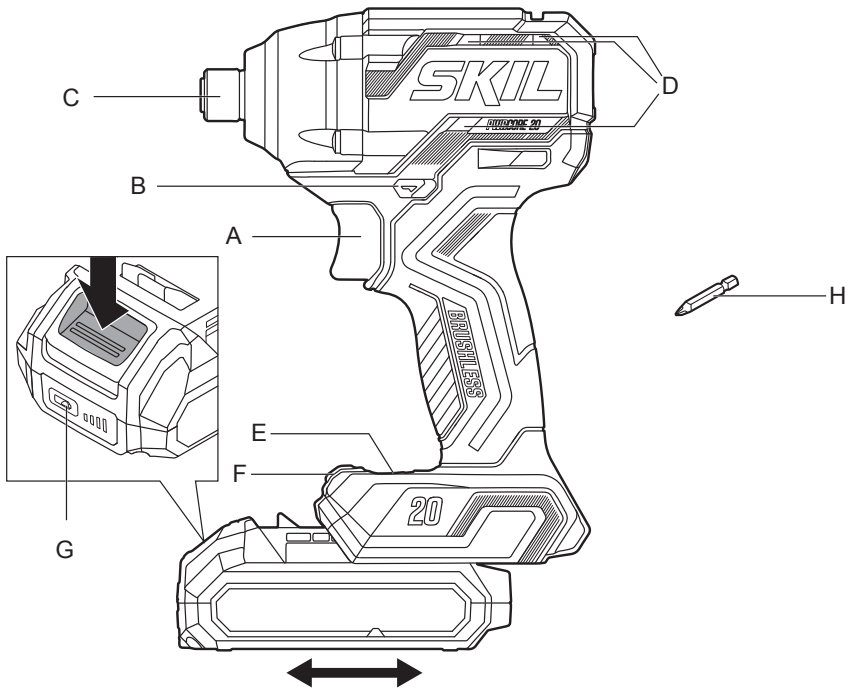
4,0 Ah  
5,0 Ah  
1,7 kg

$n_0$   
0-2300/3500  
/min

0-2800/3500  
p/min

1/4" hex

2



3



4



5



max.50 °C

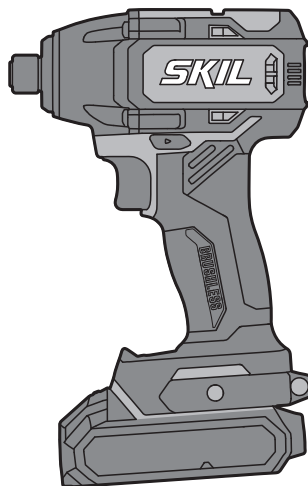
6



المفك الصدمي اللاسلكي بدون فرش

3211

**SKIL®**



دليل الاستعمال

AR

راهنمای اصلي

FA

