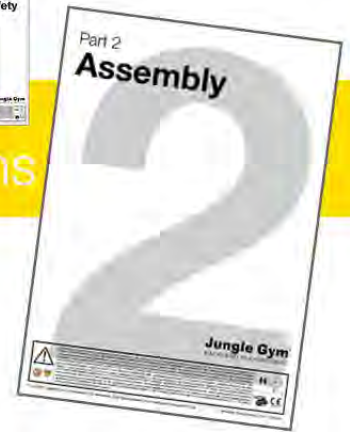


Part 2

Assembly

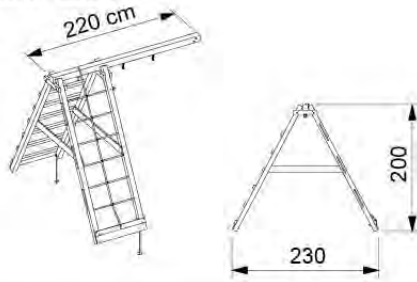
Instructions

Climb Module



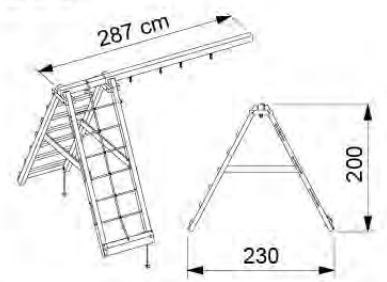
1-Climb Module 200

857_105



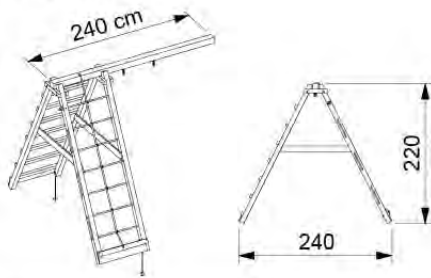
2-Climb Module 200

857_106



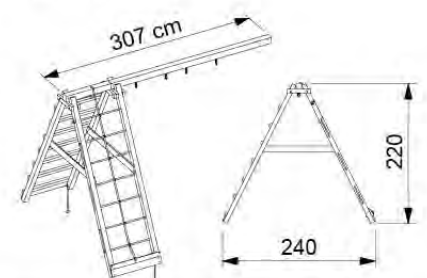
1-Climb Module 220

857_157



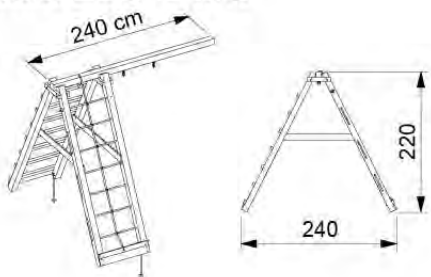
2-Climb Module 220

857_158



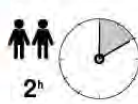
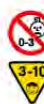
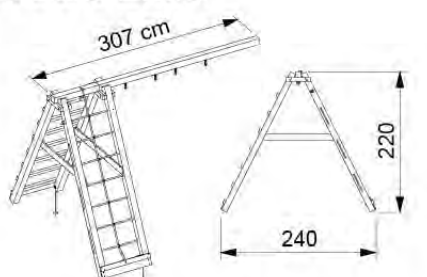
1-Climb Module 220 Extra

850_231



2-Climb Module 220 Extra

850_232



Jungle Gym

BACKYARD PLAYGROUNDS

since 1988

	1 position	2 positions		1 position	2 positions
EN. Warnings. Only for domestic use. Maximum number of users is:	3	4	LT. Įspėjimai. Tik butiniam naudojimui. Maksimalus naudotojų skaičius :	3	4
DE. Achtung. Nur für den Hausgebrauch. Maximale Benutzerzahl:	3	4	HR. Upozorenja. Samo za kućansku uporabu. Maksimalan broj korisnika je :	3	4
FR. Attention. Réservé à un usage familial. Le nombre maximal d'utilisateurs est de :	3	4	HU. Figyelmeztetések. Csak otthoni használatra! A használók max. száma :	3	4
NL. Waarschuwingen. Uitsluitend voor huishoudelijk gebruik. Het maximale aantal gebruikers is :	3	4	NO. Advarsler. Kun for privat bruk. Maksimalt antal brukere er :	3	4
BG. Внимание. За употреба само в домашни условия. Максималният брой потребители е :	3	4	PL. Ostrzeżenia. Wyłącznie do użytku domowego. Maksymalna liczba użytkowników to :	3	4
ES. Advertencias. Sólo para uso doméstico. Número máximo de usuarios :	3	4	PT. Avisos. Apenas para uso doméstico. O número máximo de utilizadores é :	3	4
CS. Varování. Jen pro domácí použití. Maximální počet uživatelů je :	3	4	RO. Avertismente. Numai pentru uz domestic. Numărul maxim de utilizatori este :	3	4
DA. Advarsler. Kun til privat brug. Maksimum antal brugere er :	3	4	RU. Предостережения. Только для домашнего использования.	3	4
ET. Hoiatused. Ainult koduseks kasutamiseks. Maksimaalne kasutajate arv on :	3	4	Максимальное количество пользователей - :	3	4
EL. Προειδοποιήσεις. Μόνο για οικιακή χρήση. Μέγιστος αριθμός χρηστών :	3	4	SK. Upozornenia. Iba na domáce použitie. Maximálne množstvo osôb je :	3	4
IS. Varnaðarorð. Engöngu fyrir einkanoðkun í heimahúsum og á einkaöðum. Hámarksfjöldi notenda er :	3	4	SL. Opozorila. Samo za domačo uporabo. Maksimalno število uporabnikov je :	3	4
IT. Avvertenze. Solo per uso domestico. Massimo numero di utenti è :	3	4	FI. Varoitukset. Ainoastaan kotikäyttöön. Käyttäjää yhteensä enintään :	3	4
LV. Brīdinājumi. Izmantot tikai mājās. Maksimālais lietotāju skaits ir :	3	4	SR. Upozorenja. Samo za kućnu uporabu. Maksimalan broj korisnika je :	3	4
			SV. Varningar. Endast för hemmabruk. Det maximala antalet användare är :	3	4
			TR. Uyarılar. Sadece ev kullanımı için. Maksimum kullanıcı sayısı :		

01 What's in the Delivery?

457_106

<p>1x 040_805</p> <p>1x 040_925</p>	<p>7x 022_455</p>	<p>2x 005_528</p> <p>Module</p>	<p>2x 005_529</p> <p>Module Extra</p>	<p>1x 020_317</p> <p>3,40 m</p>
<p>2x 007_001</p>	<p>4x 101_003</p>	<p>1x 008_010</p> <p>1x 104_403</p> <p>ø7 mm</p> <p>ø7.5 mm</p>	<p>1x 100_161</p>	<p>1x 020_318</p> <p>8,10 m</p>

02 Hardware

100_161 HWP Climb module

20221004

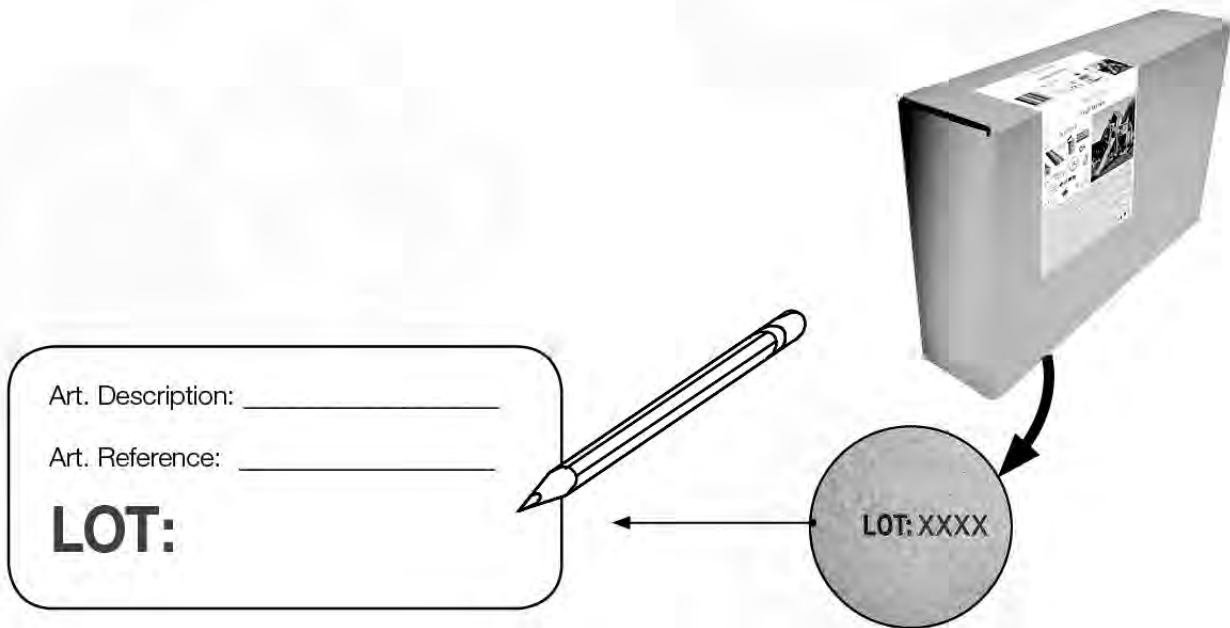
001_422	6x		ø8 x 137mm	023_031	4x		ø5mm
001_417	8x		ø8 x 80mm				
001_406	4x		ø8 x 45mm				
002_223	45x		ø5 x 80mm				
002_220	43x		ø5 x 45mm				
002_301	7x		ø3.9 x 40mm				

03 Timber

		L		1-Climb Module 200	2-Climb Module 200	1-Climb Module 220	2-Climb Module 220	1-Climb Module 220 Extra	2-Climb Module 220 Extra
		657_105	657_106	657_155	657_156	650_231	650_232		
A	A240	239cm - 240cm	4 x	4 x	4 x	4 x			
	A220	219cm - 220cm							
B	B240	239cm - 240cm	1 x	1 x	1 x	1 x	5 x	5 x	
	B220	219cm - 220cm		1 x		1 x			1 x
	B67	66cm - 67cm							
C	C74	73cm - 74cm	7 x	7 x	8 x	8 x	8 x	8 x	
	C37	36cm - 37cm	4 x	5 x	4 x	5 x	4 x	5 x	
D	D141	140cm - 141cm	3 x	3 x	3 x	3 x	3 x	3 x	
	D74	73cm - 74cm	2 x	2 x	2 x	2 x	2 x	2 x	

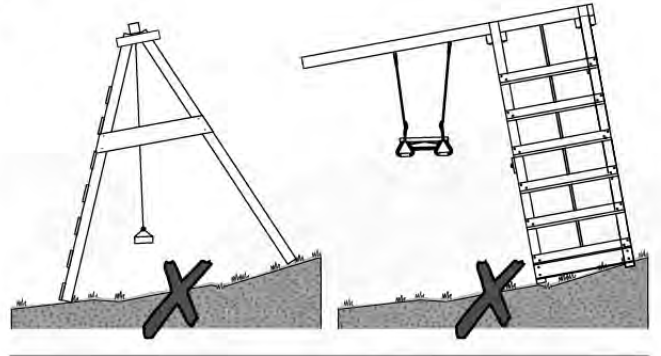
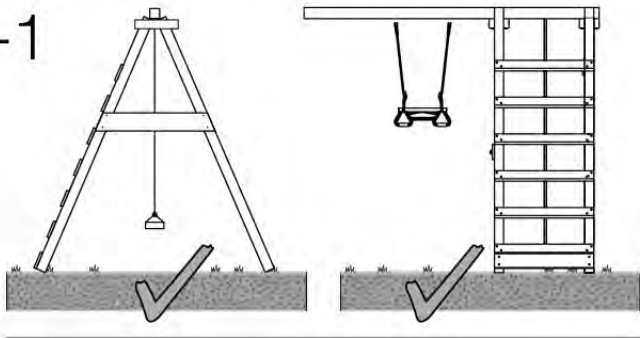
26-Oct-2021

04 Product ID

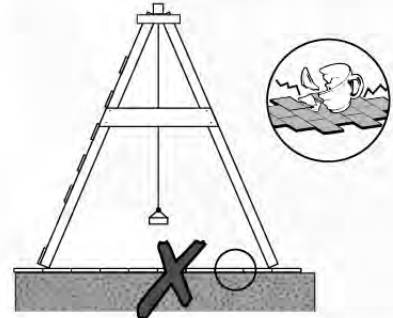
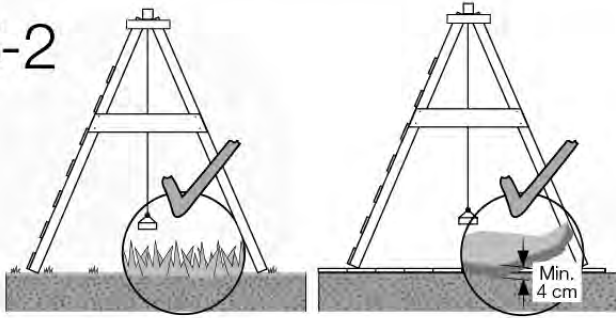


05 Safe Playground Planning

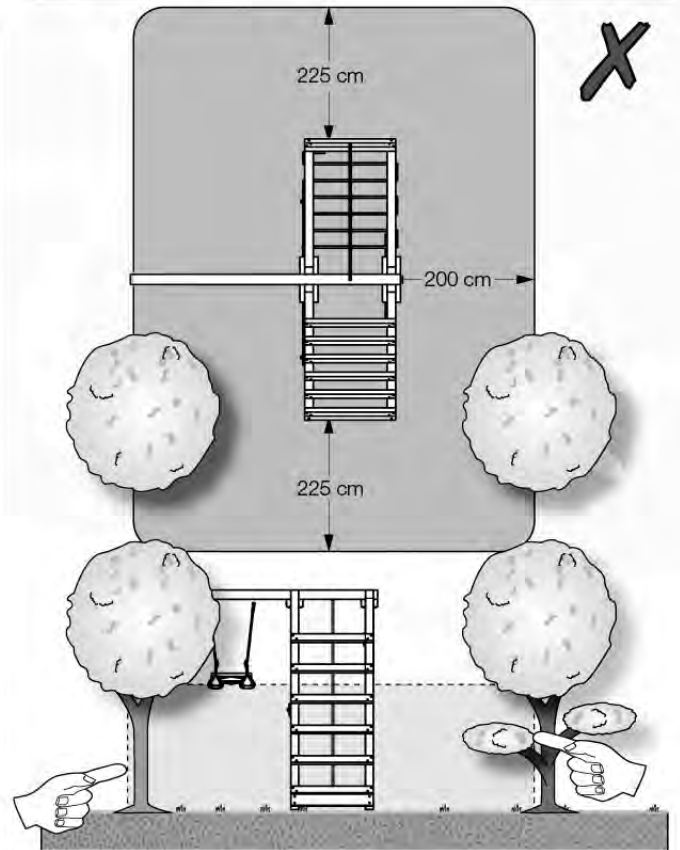
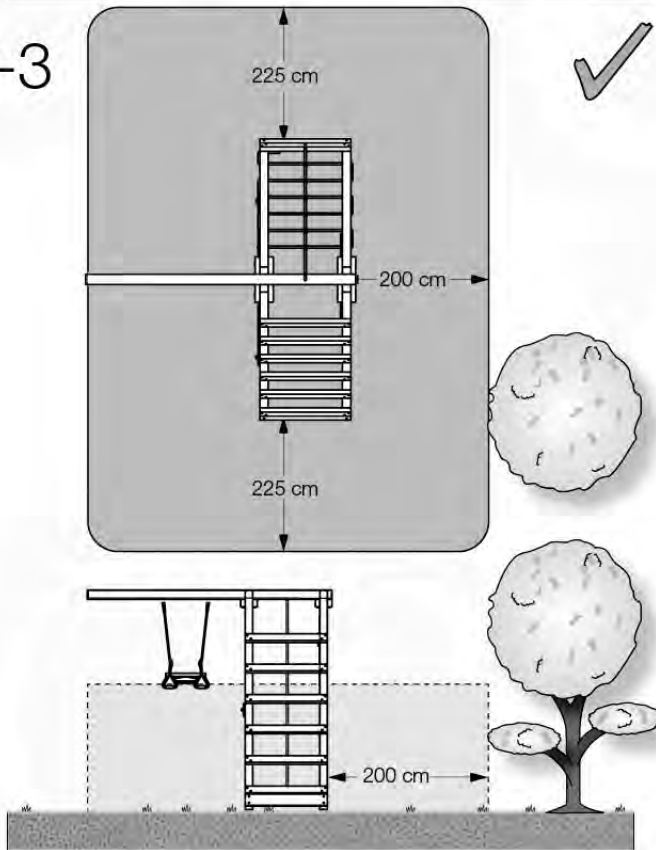
05-1



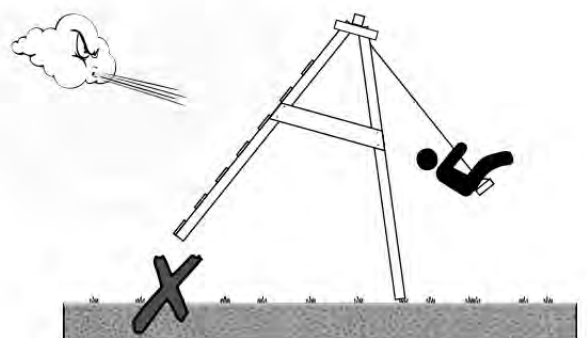
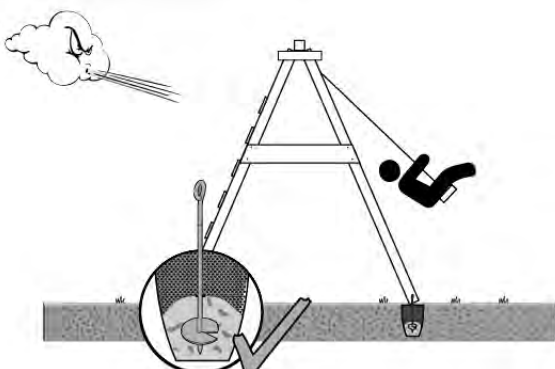
05-2



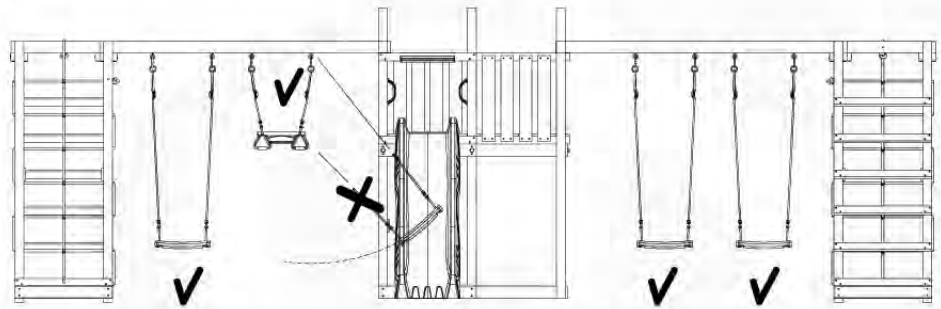
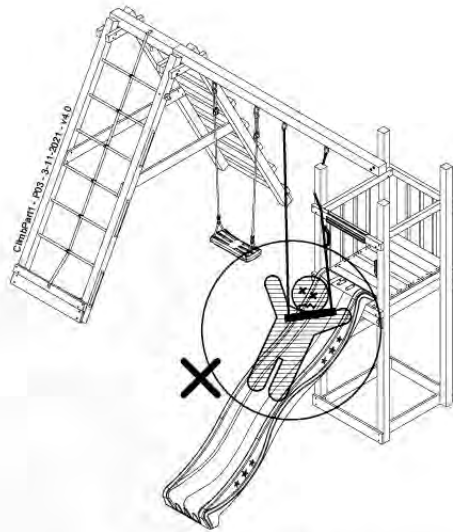
05-3



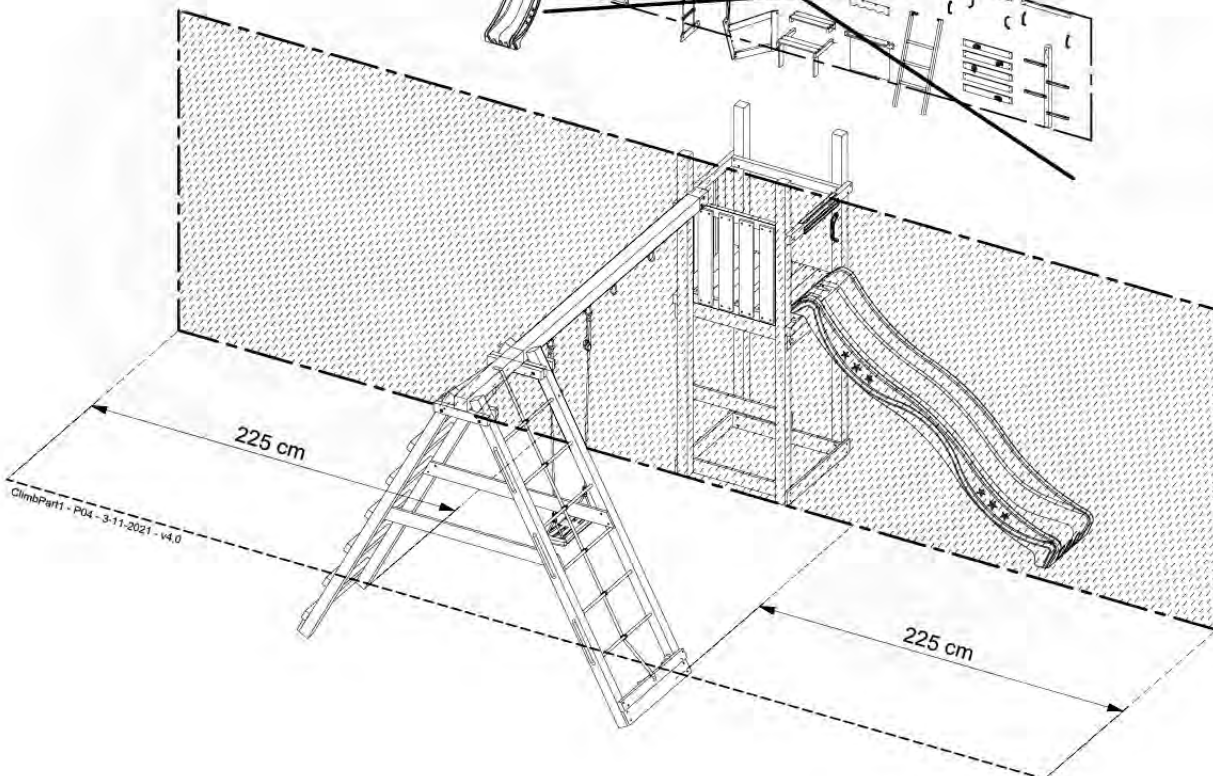
05-4



05-5



05-6

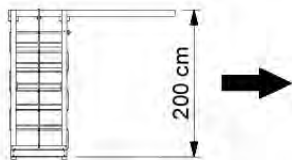


06

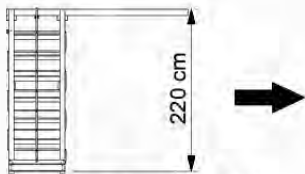
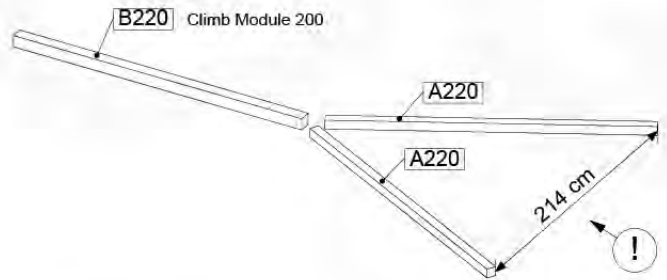
	PartNo	PartName	QTY.
Hardware Pack	001_406	Stealth Screw 8x45	2
	001_417	Stealth Screw 8x80	8
	001_422	Stealth Screw 8x137	6
	002_220	Gap Point Screw T25 - 5x45	43
	002_223	Gap Point Screw T25 - 5x80	45
	002_301	Dry Wall Screw PH2 3.9 x 40 mm	7
Other	005_528	Swing Beam Bracket 7x7	2
	005_529	Swing Beam Bracket 9x9	2
	007_001	Ground-anchor	2
	020_317	Rope Polyester 16mm Green 3.4m	1
	020_318	Rope Polyester 16mm Green 8.1m	1
	022_455	Rope Cross Connector Egg	7
	023_031	Finishing Washer GPS 5.0	4
	101_003	Swing hook with Carabiner	4

ClimbPart1 - Page 3-11-2021 - M 0

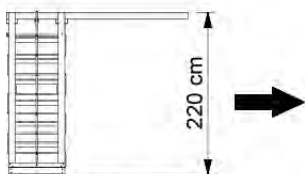
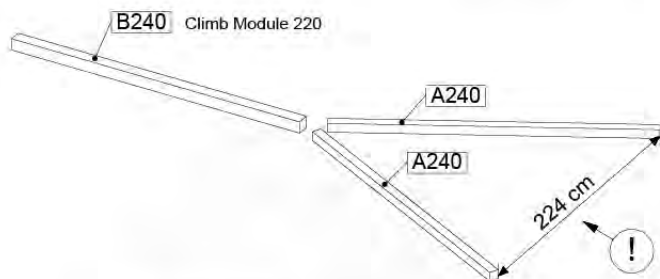
06-1



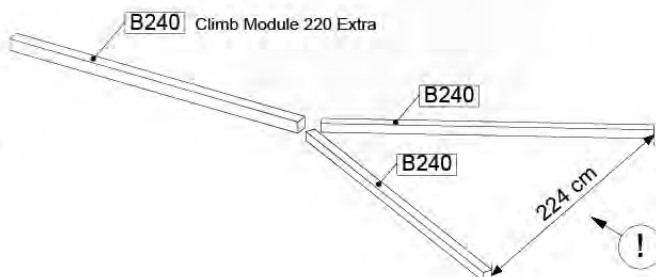
1-Climb Module 200
2-Climb Module 200



1-Climb Module 220
2-Climb Module 220



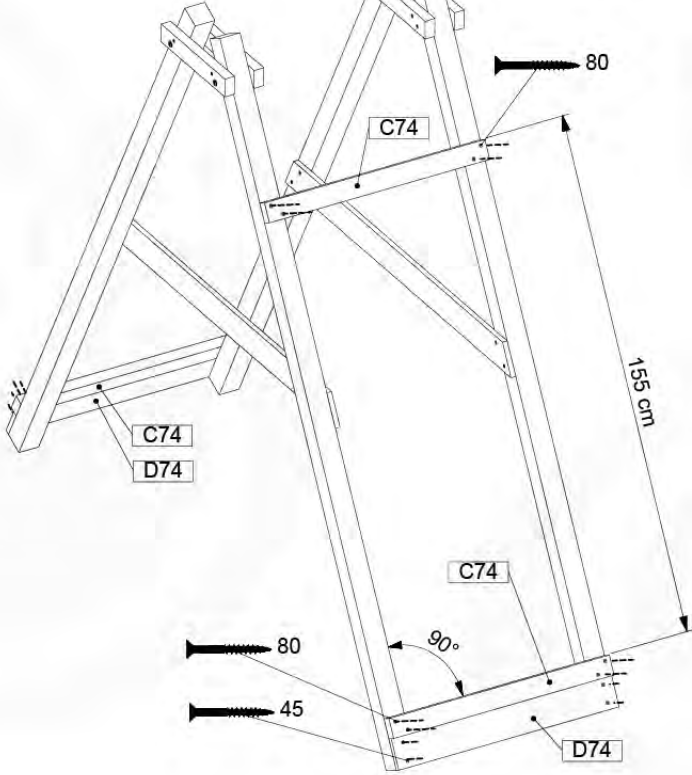
1-Climb Module 220 Extra
2-Climb Module 220 Extra



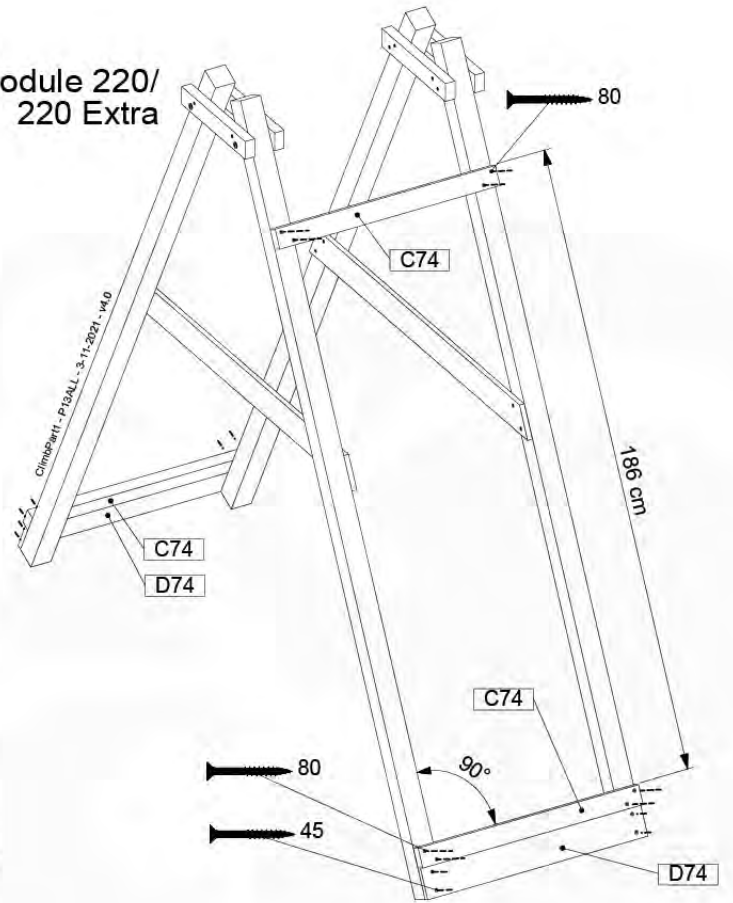
ClimbPart1 - P05ALL - 3-11-2021 - M 0

06-4

Climb Module 200

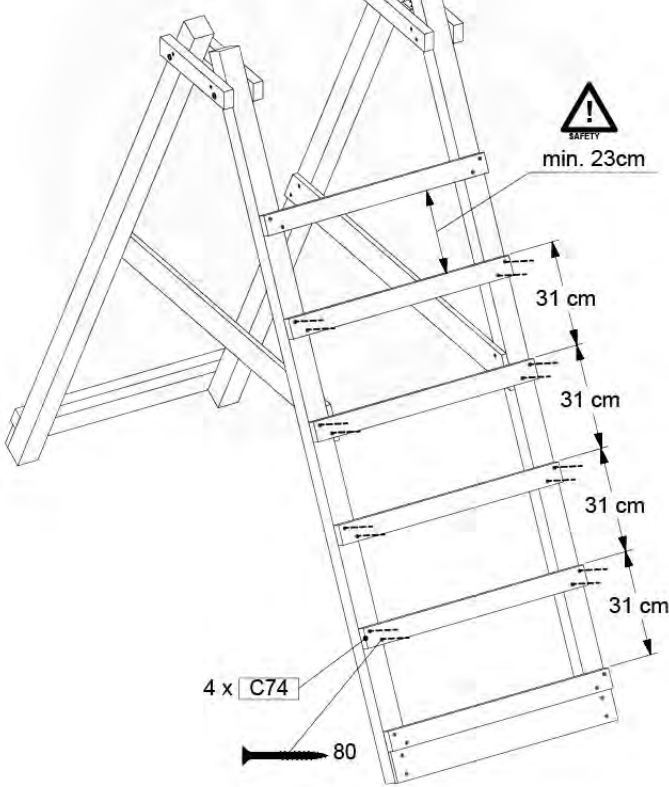


Climb Module 220/
220 Extra

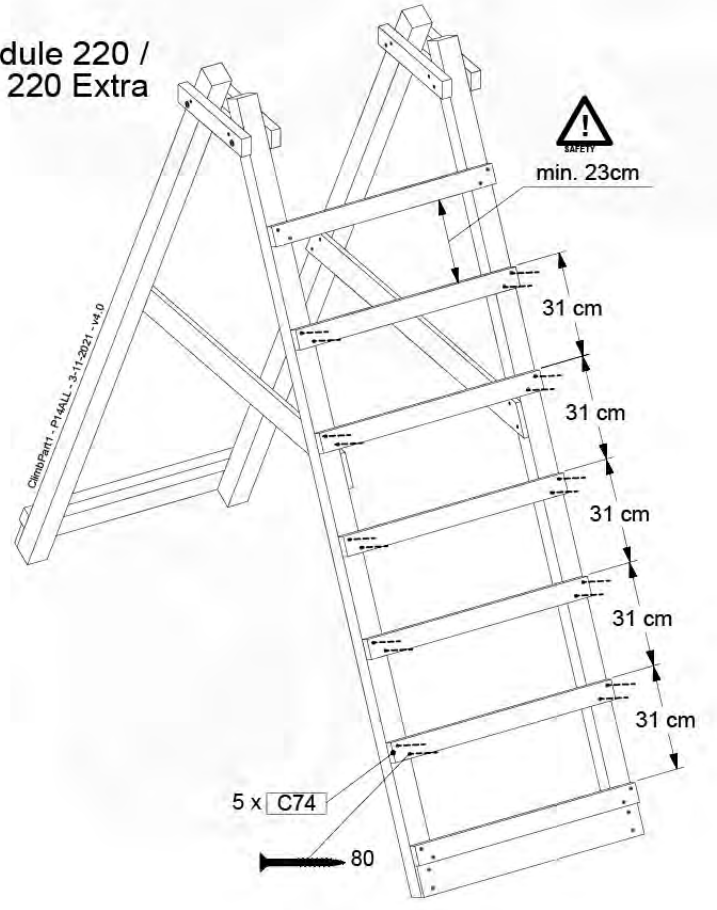


06-5

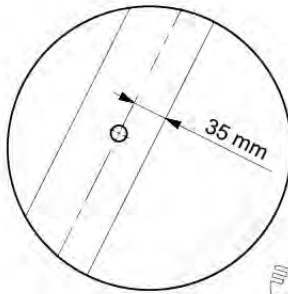
Climb Module 200



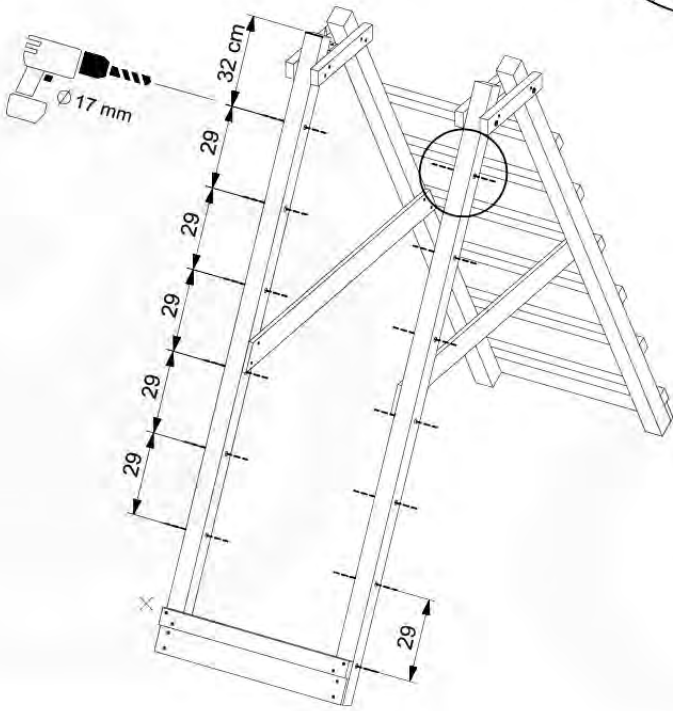
Climb Module 220 /
220 Extra



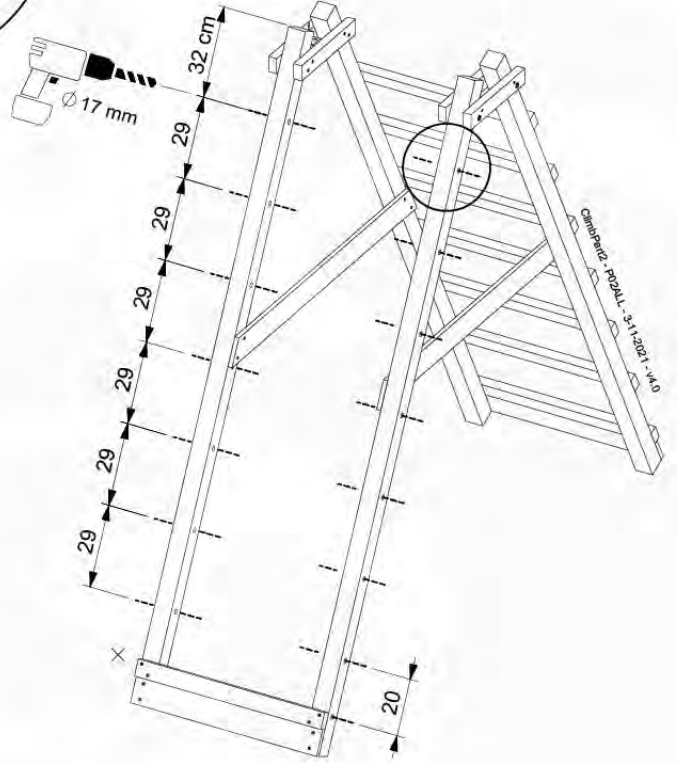
06-6



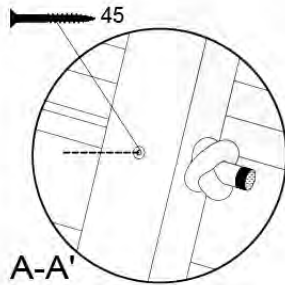
Climb Module 200



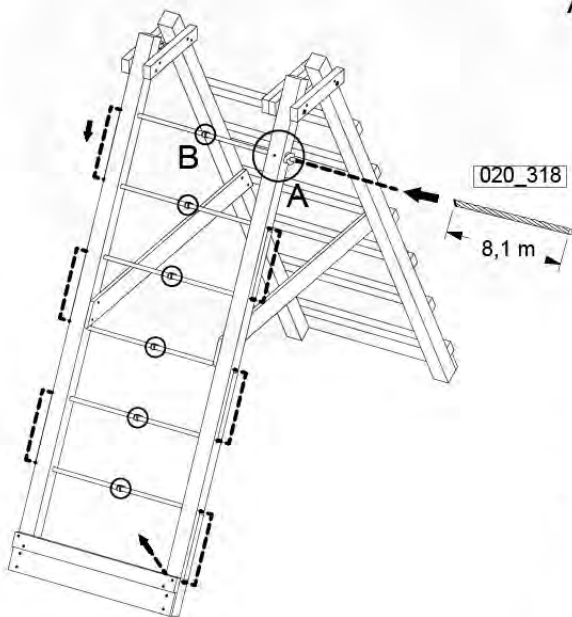
Climb Module 220 / 220 Extra



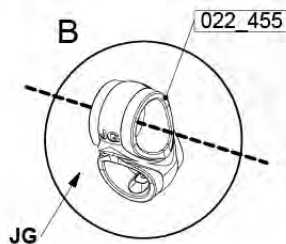
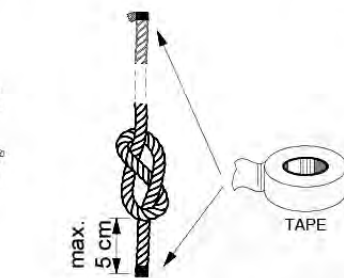
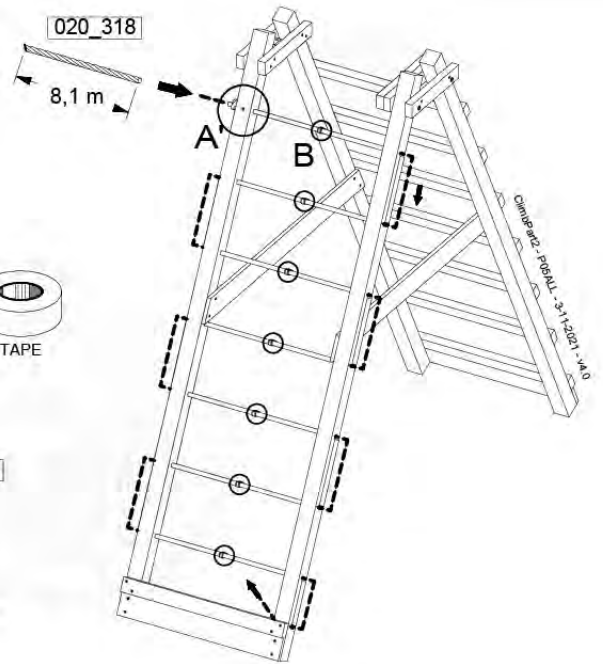
06-7



Climb Module 200

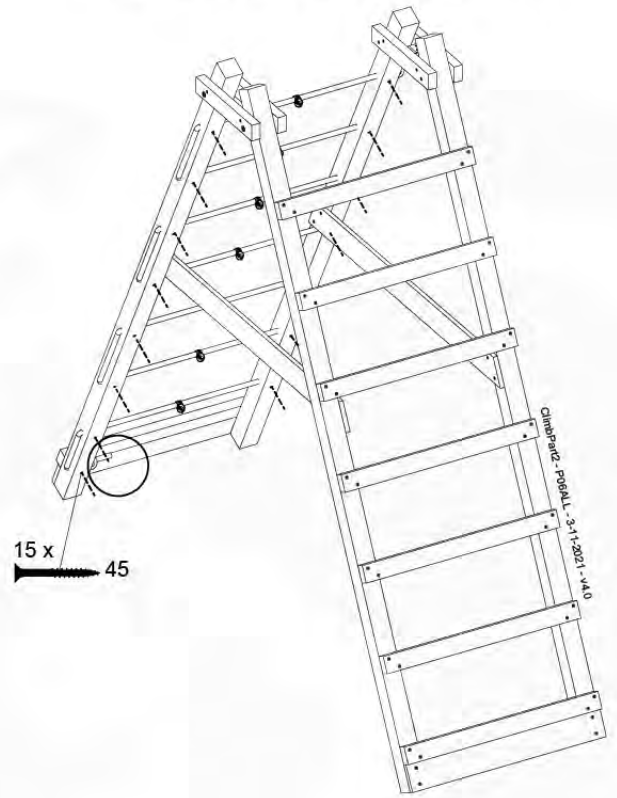
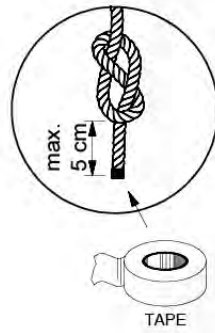
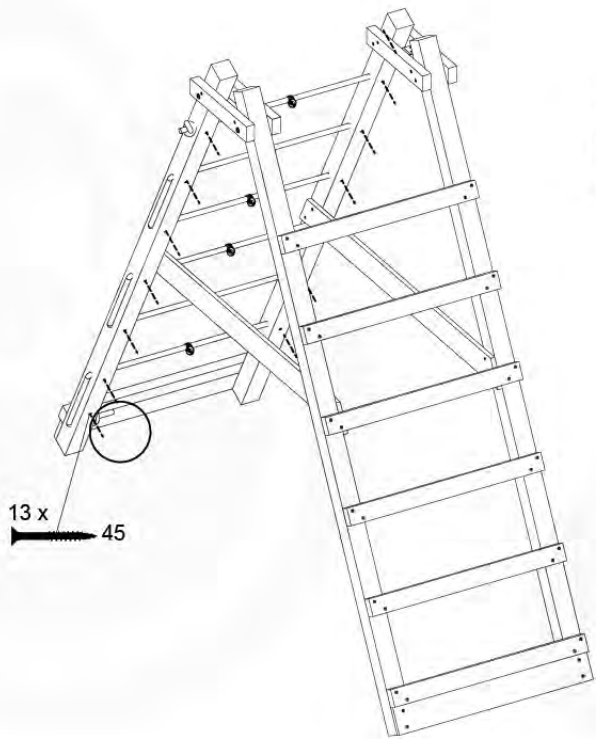


Climb Module 220 / 220 Extra



6-7x

Climb Module 200

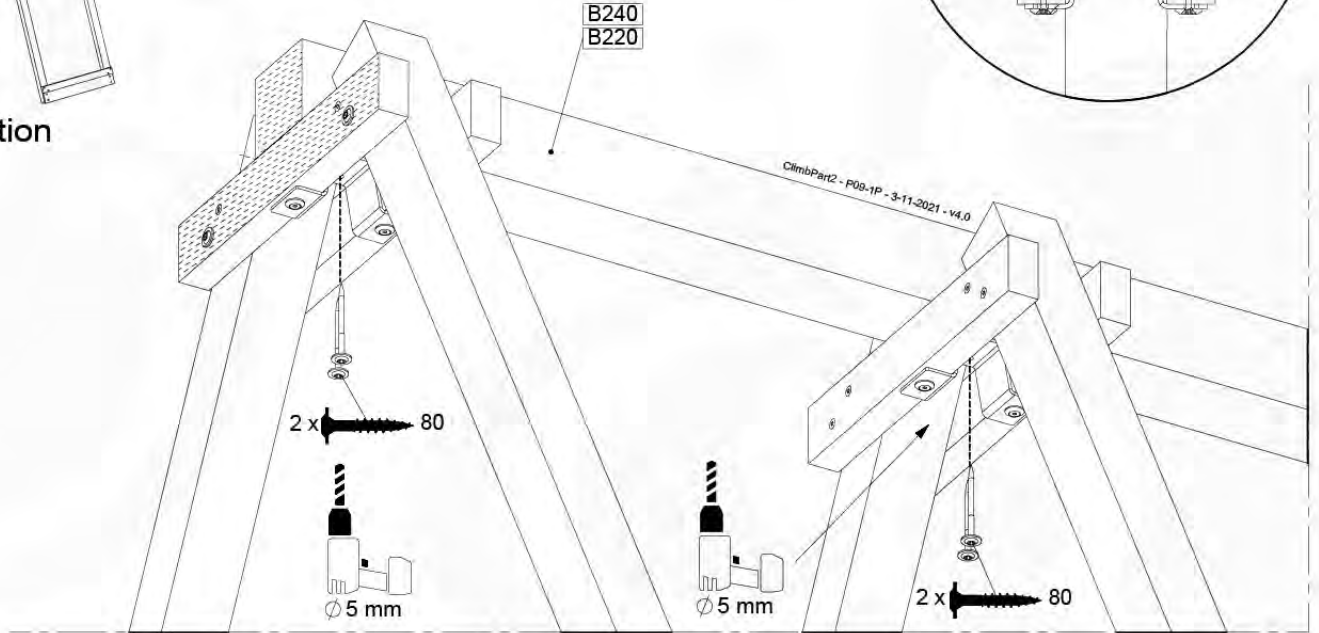
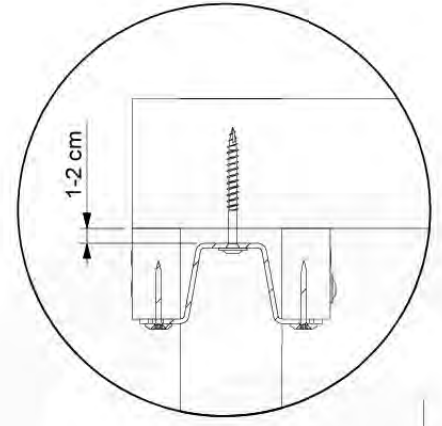


06-9

B240
B220

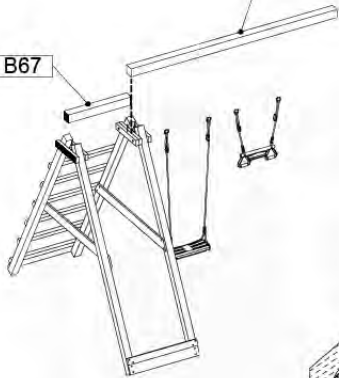


1 position

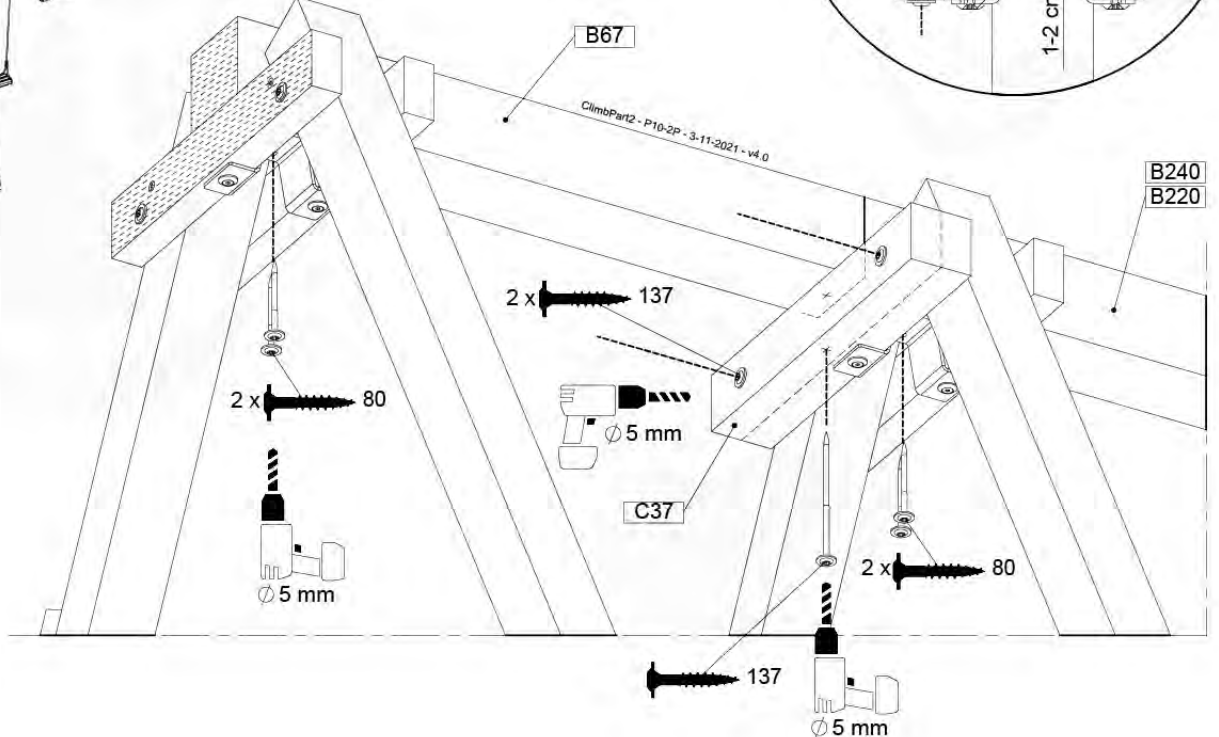
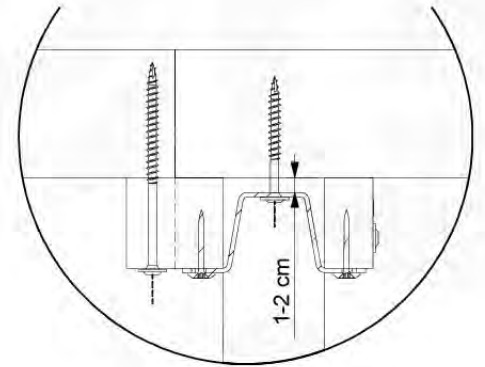


B240
B220

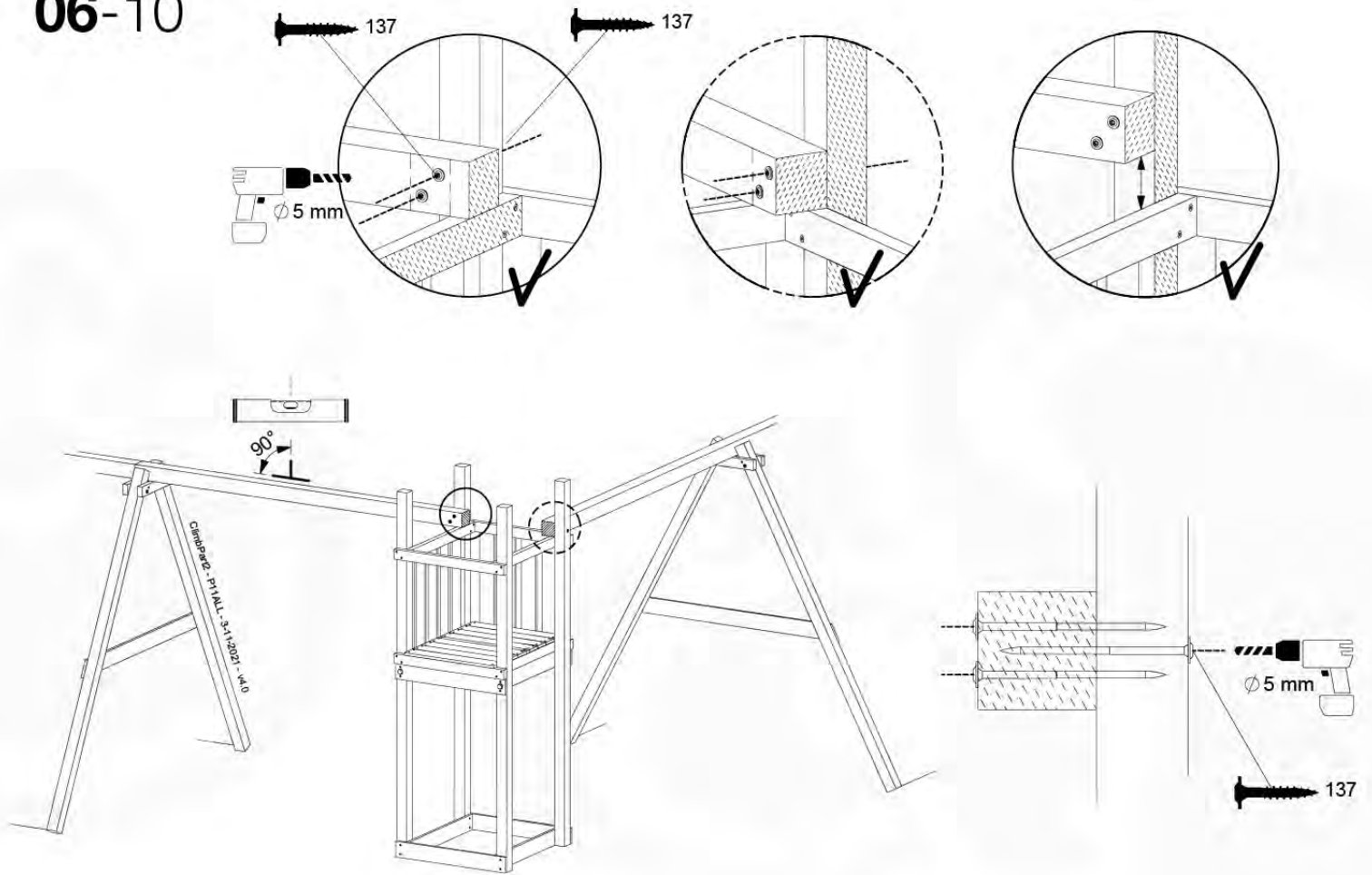
B67



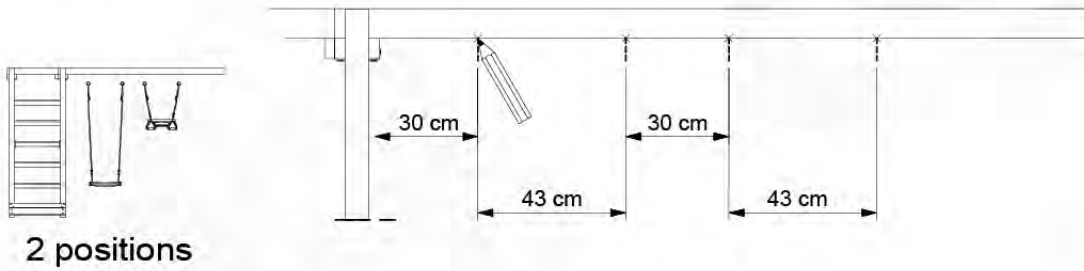
2 positions



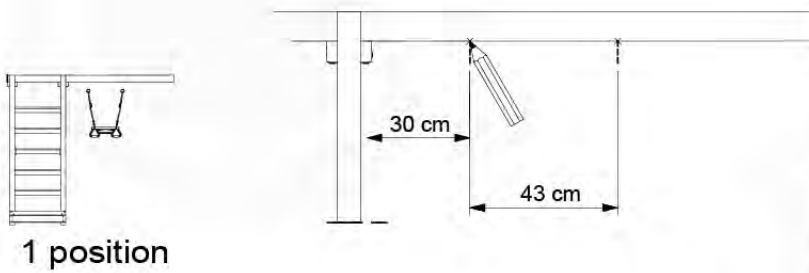
06-10



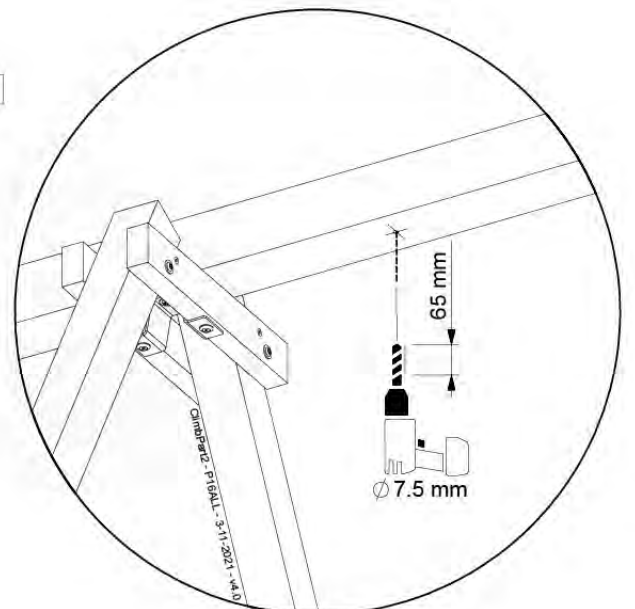
06-11



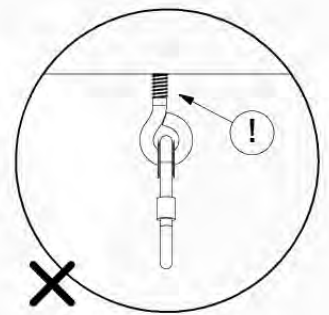
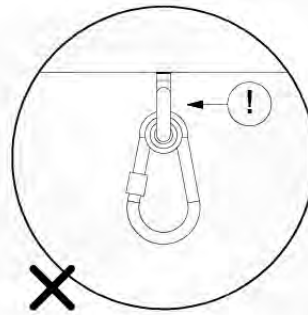
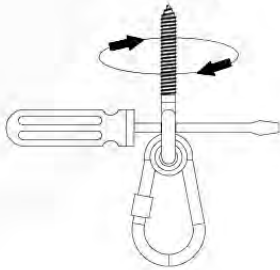
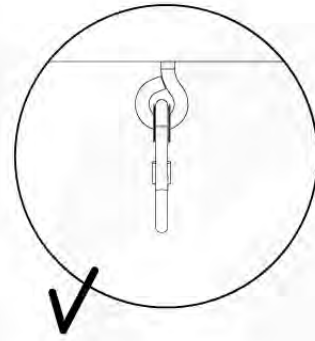
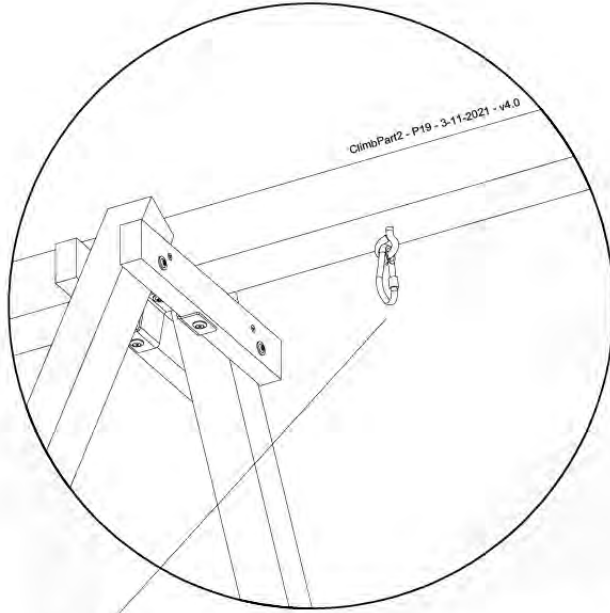
2 positions



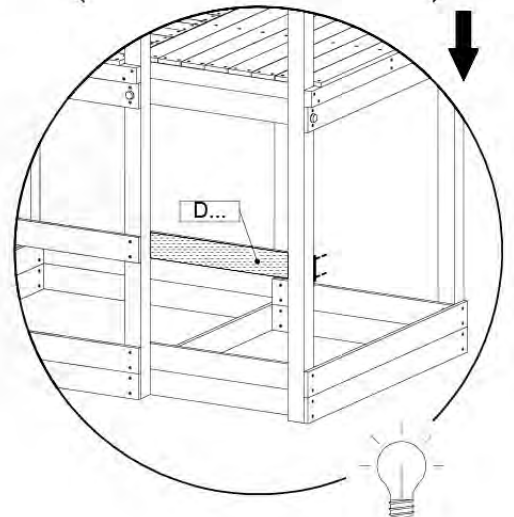
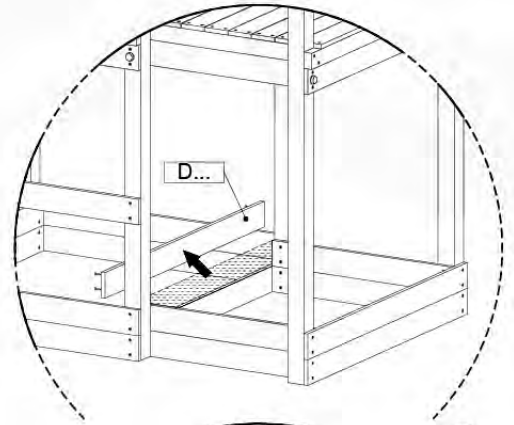
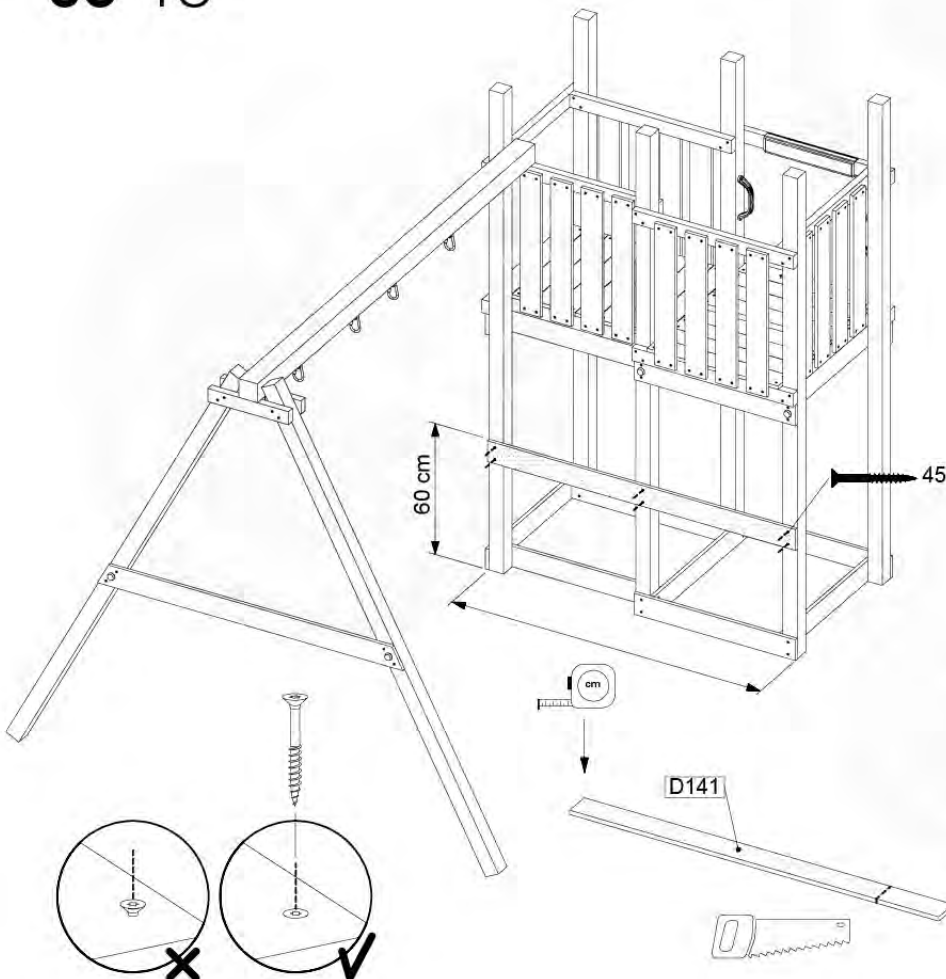
1 position



06-12



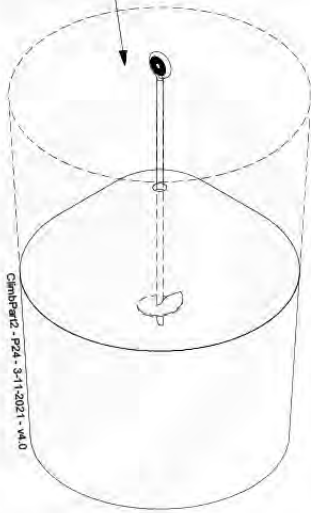
06-13



07-2



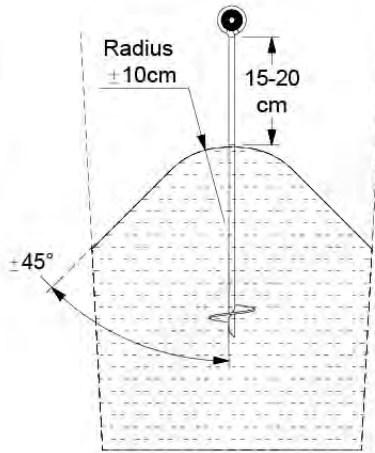
20 L / 40 kg



1.



SAFETY

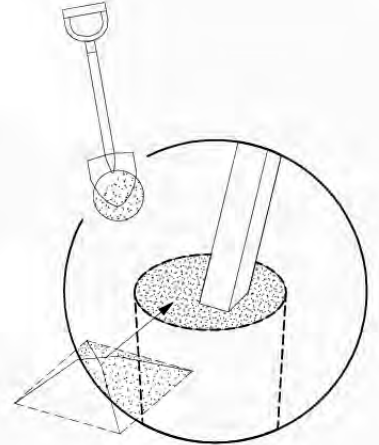


2.

24h

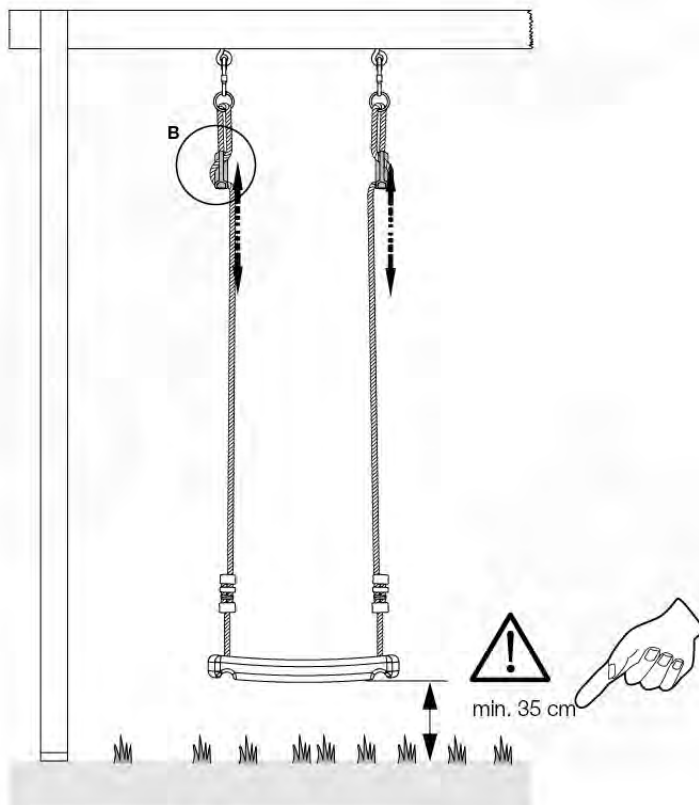
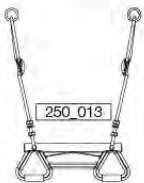


3.

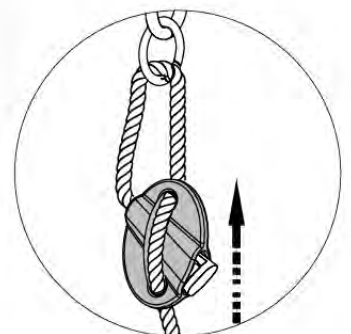
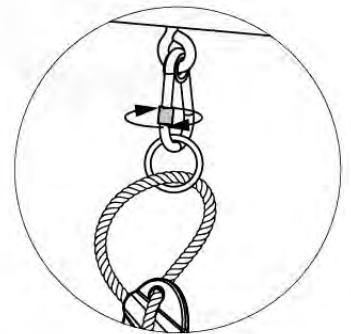
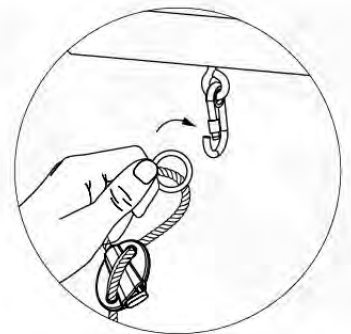


4.

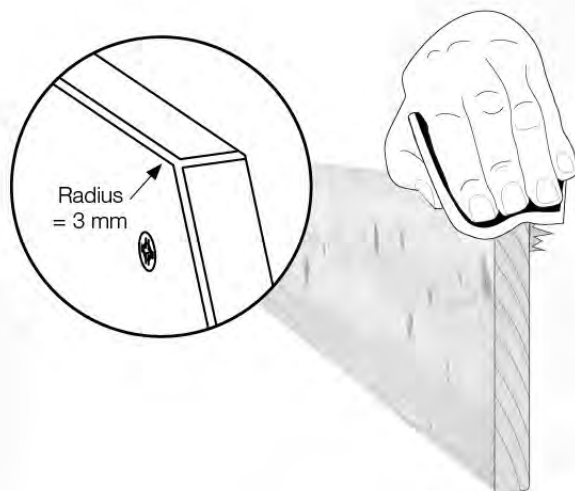
08 Accessories



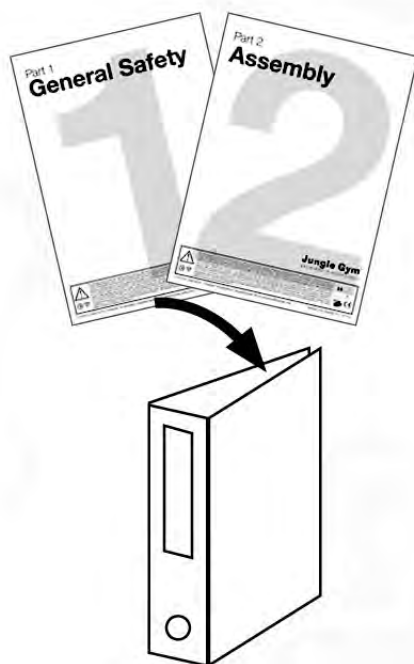
min. 35 cm



09



10



Declaration of Conformity

Jungle Gym

BACKYARD PLAYGROUNDS

since 1988

Manufacturer details

Company Name

Jungle Gym B.V.

Tag-line

Backyard Playgrounds

Address

P.O. Box 75083, 1070 AB Amsterdam, Netherlands

Activity toys for domestic use

Product Range Identification

Sub-Assembly

Universal Packs / Base Towers / Extension Towers / Roofs / Means of Exit/Access / Add-ons : 790_001 ... 794_911

Assembly

Playtowers : 801_005 ... 200

Links : 870_100 ... 105

Accessories : 123_220 ... 250_075

Playhouses : 830_150 ... 253, 835_251 ... 253

Swings : 801_300, _600, _601

Slides (XL) : 324_100 ... 600

Modules : 850_180 ... 415

Slides (XXL) : 334_100 ... 600

: 857_103, 857_108

Playtowers : 802_202 ... 208

857_151, 857_158

803_202 ... 210

809_202 ... 804

Applicable EC directives and standards

Chemical References

1. Migration of certain elements (17x + Chr VI + tin) as required in TSD 2009/48/EC and its amendments. Scrape off toy material. Tested according to EN 71-3:2019.
2. Migration of solvents, monomers and plasticizers as specified in "Safety for Toys: Organic Chemical Compounds", EN 71-9: 2005 + A1: 2007. Tested according to EN 71-10: 2005 & EN 71-11: 2005.
3. Content of N-nitrosamines and N-nitrosatable substances as specified in EN standard 71-12: 2013. Tested according to EN 71-12: 2013.
4. Content of 18 PAHs (Polycyclic Aromatic Hydrocarbons) as referred in AfPS GS 2014:01 PAK (Replaced on 2019:01). Tested according to QMA 2011.1284
5. Content of 7 Phthalates (18x) according to REACH (EG) no.1907/2006, Annex XVII. Tested according to COC-CH-C1011-09.3 and EN 15777 / QMA 2011.1300
6. Content of Cadmium according to REACH (EG) no. 1907/2006, Annex XVII. Tested according to EN 17294-2
7. Formaldehyde according to REACH (EG) no. 1907/2006, Annex XVII. Tested according to EN 14184
8. Azo dyes according to REACH (EG) no. 1907/2006, Annex XVII. Tested according to BVL B 82.02-2.
9. Content of 3 Flame retardants according to REACH (EG) no. 1907/2006, Annex XVII. Tested according to EN 62321-6.
10. NI release according to REACH (EG) no. 1907/2006, Annex XVII. Tested according to EN 71-3:2013+A1:2014.
11. Sweat and Salvia resistance tested according to DIN 53160

Mechanical physical properties + flamability

EN 71 - 1 : 2014 + A1: 2018 EN 71 - 2 : 2011 + A1: 2014 EN 71 - 8 : 2018

Supplementary information

Conformity to the above specified directives and standards has been frequently verified and is continuously monitored by TÜV Süd, TÜV Rheinland LGA products, DEKRA (DE), STR Ltd (UK), LNE SA (FR), LMR Ltd (US) and IPS N.V. (BE) since 1994. Jungle Gym participates in the European Commission for standardisation for the safety of activity toys (TC52 / WG 10).

Declaration

I hereby declare under our sole responsibility that the products mentioned above, to which this declaration relates, complies with the above mentioned directives and standards.



Name

Mr. P. Schmit / Director




























Issued date

Januari 2nd, 2023


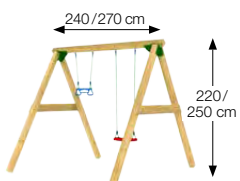
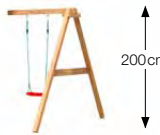



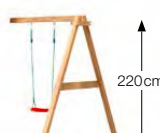




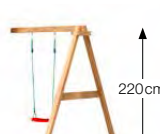



Signature of representative

Construction Packages (Assembly)

Playtowers

S Single  Jungle Tower 802_201	S Single  Jungle Patio 802_202	S Single  Jungle Cocoon 802_204	S Single  Jungle Cirque 802_206	S Single  Jungle Totem 802_208	S Duo  Jungle Nomad 803_202	S Duo  Jungle Safari 803_204
S Duo  Jungle Viking 803_206	S Duo  Jungle Teepee 803_208	S Duo  Jungle Resort 803_210	S Combo  Jungle Explorer 809_802	S Combo  Jungle Voyager 809_804	M Single  Jungle Castle 801_120	
M Single  Jungle Club 801_110	M Single  Jungle Casa 801_105	M Single  Jungle Home 801_103	M Single  Jungle Hut 801_100	M Single  Jungle House 801_095	L Single  Jungle Cottage 801_090	L Single  Jungle Cabin 801_060
L Single  Jungle Lodge 801_040	L Duo  Jungle Cubby 801_070	L Duo  Jungle Mansion 801_009	XL Single  Jungle Sierra 801_025	XL Single  Jungle Fort 801_010	XL Duo  Jungle Chalet 801_013	XL Duo  Jungle Palace 801_005

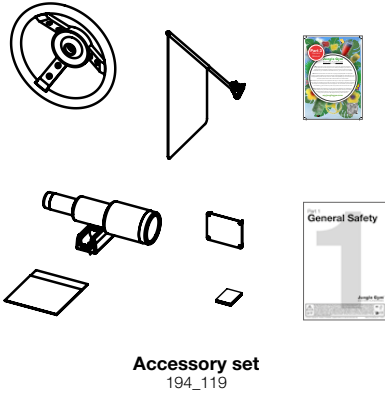
Swings

 Jungle Peak 801_300	 Jungle Swing 801_601/602	 1-Swing Module 200 857_101	 2-Swing Module 200 857_102	 1-Climb Module 200 857_105	 2-Climb Module 200 857_106
		 1-Swing Module 220 857_151	 2-Swing Module 220 857_154	 1-Climb Module 220 857_157	 2-Climb Module 220 857_158
 Bridge Module 850_240		 1-Swing Module 220 Extra 850_176	 2-Swing Module 220 Extra 850_177	 1-Climb Module 220 Extra 850_231	 2-Climb Module 220 Extra 850_232

Modules

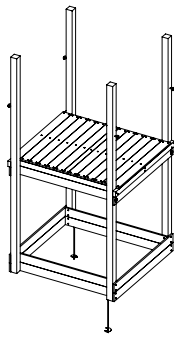
Construction Packages (Sub-Assembly)

Universal Packs (AC)



Accessory set
194_119

Base Towers (BT)

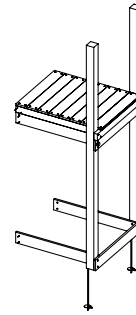


Tower 80
790_001
790_002
790_003
790_005

Tower 115
792_001
792_002
792_003

Tower 140
794_001

Extension Towers (ET)

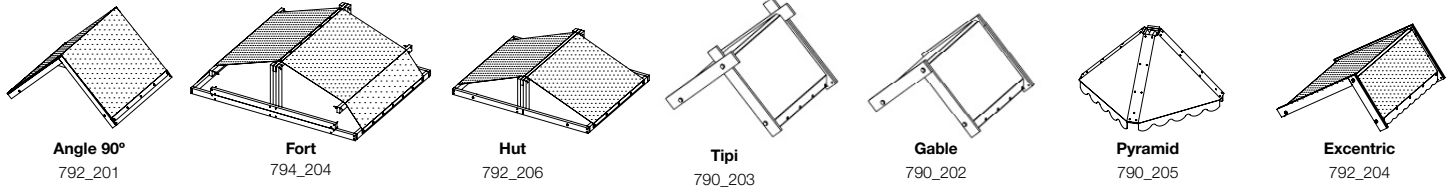


Tower 80 **Tower 140**
790_101 794_102
790_102 794_103
794_104

Tower 115
792_101 794_105
792_102 794_106
792_103 794_108
792_104 794_109
792_105 794_110
792_106
792_107
792_108
792_109
792_110
792_111
792_112
792_113
792_114

Roofs (RF)

Roof tarp



Angle 90°
792_201

Fort
794_204

Hut
792_206

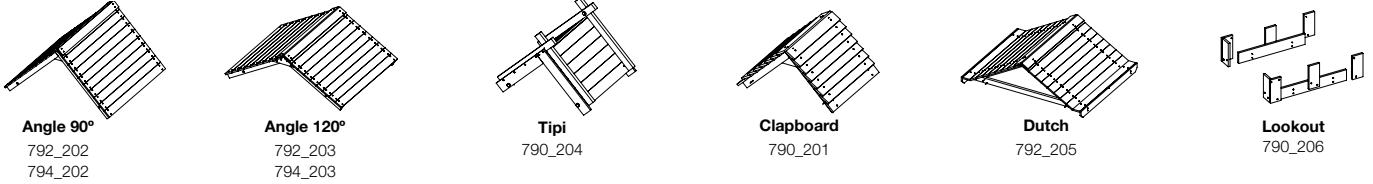
Tipi
790_203

Gable
790_202

Pyramid
790_205

Excentric
792_204

Roof wood



Angle 90°
792_202
794_202

Angle 120°
792_203
794_203

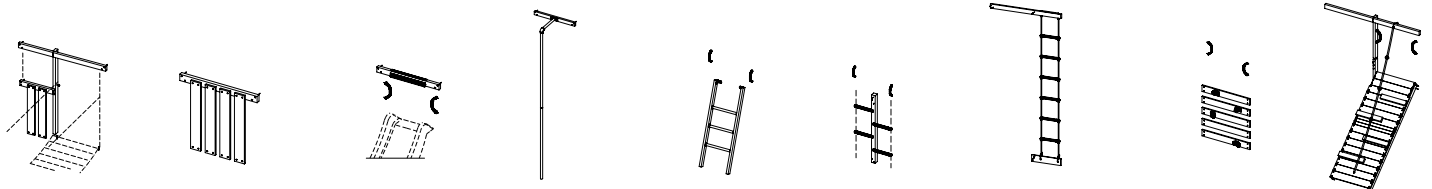
Tipi
790_204

Clapboard
790_201

Dutch
792_205

Lookout
790_206

Means of Exit/Access



Bridge Frames
BF
792_602
794_602

Balustrades
BL
790_301
792_301
794_301
794_302

Slides
SL
790_901
792_901
792_902
792_903
794_901

Firemans Poles
FP
790_903
792_911
792_912
792_913
794_911

Ladder
LA
790_433
790_434
792_431
792_432
794_431
794_432
794_433

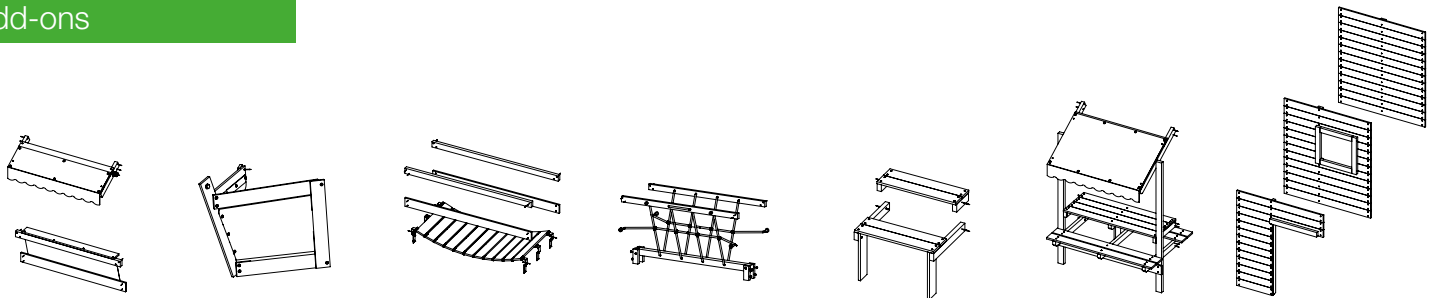
Two Step Ladder
TS
790_413
790_414
792_411
792_412
794_411
794_412
794_413
794_414

Rope ladder
RL
790_421
792_421
792_422
794_421

Rock wall
RW
790_403
790_404
792_401
792_402
794_401
794_402

Ramp
RA
790_441
792_441
794_441

Add-ons



Market
MT
790_502
792_502
794_502

Boat front
BO
790_501

Clatter bridge 80
CB
790_601

Net bridge 80
NB
790_611

Picnic 80
PC
790_503

Picnic 115/140
PC
792_503
794_503

Playhouse panels
PH
790_311 794_311
792_313 794_312
792_311 794_313
792_312 794_314
792_313
792_314

Construction Packages (accessorie-assembly)

Imagination



Steering Wheel Yellow
201_280



Fun Phone
201_285



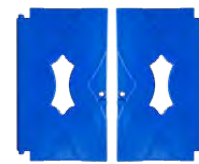
StarOscope™
201_290



Steering Wheel Boat
202_473



PeekOscope™
201_295



Shutters 2x blue
250_075



Tic Tac Toe
450_310

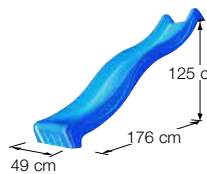
Bucket
450_320



Talking Tube™
450_330

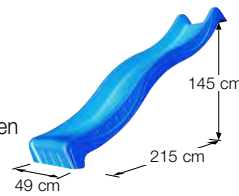
Wavy Star Slide XL

- 324_100 Yellow
- 324_200 Blue
- 324_300 Green
- 324_400 Red
- 324_500 Fuchsia
- 324_600 Dark Green



Wavy Star Slide XXL

- 334_100 Yellow
- 334_200 Blue
- 334_300 Green
- 334_400 Red
- 334_500 Fuchsia
- 334_600 Dark Green



Swinging



Sling Swing Kit Yellow
250_001



Monkey Bar Kit Blue
250_013



Baby Swing Kit Red
250_025



Swing Seat Kit Red
250_034



Twist Disk Kit Green
250_053

Climbing



AP Two Step Ladder 80
194_102



AP Step Ladder 80_125
194_103



AP Step Ladder 80_145
194_104



AP Rock-Wall 80_125
194_105



AP Rope Ladder
194_115



AP Clatter Bridge
194_116



Climbing Rope
201_060



Fireman's Pole
201_275



Gymnastics bar
201_273

Functional



Canvas blue/green
123_220 ±136x 74cm
123_222 ±185x120cm



Mesh green
123_230



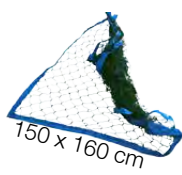
Swing Hook Screw 2x
201_115



Bolt Caps 10x / 40x
White □ 202_620 202_629
Yellow ■ 202_621 202_625
Blue ■ 202_622 202_626
Green ■ 202_623 202_627
Red ■ 202_624 202_628



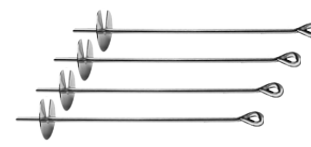
Bumper Pad (2pcs)
202_824



Cat Stop™
201_220



Handgrips
■ 201_250 Yellow
■ 201_260 Blue
■ 201_270 Green



Ground Anchors
250_070