
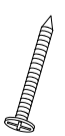

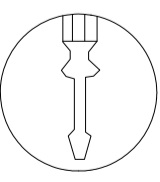
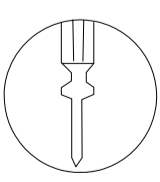


parts supplied	
	<b>X 1</b>
	<b>X 4</b>
	<b>X 4</b>

parts not supplied	
	<b>X 1</b>
	<b>X 1</b>

220V~240V 50HZ	
<b>CE</b>	
IP54	
