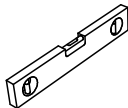
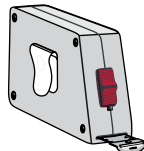
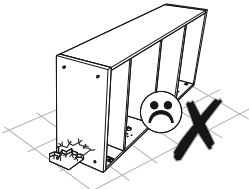
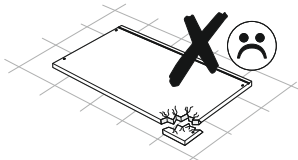
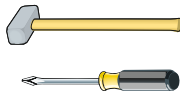
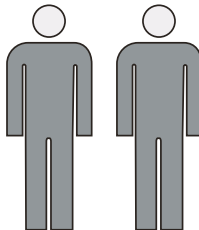
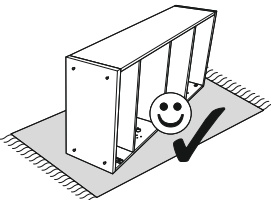
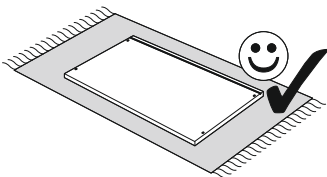
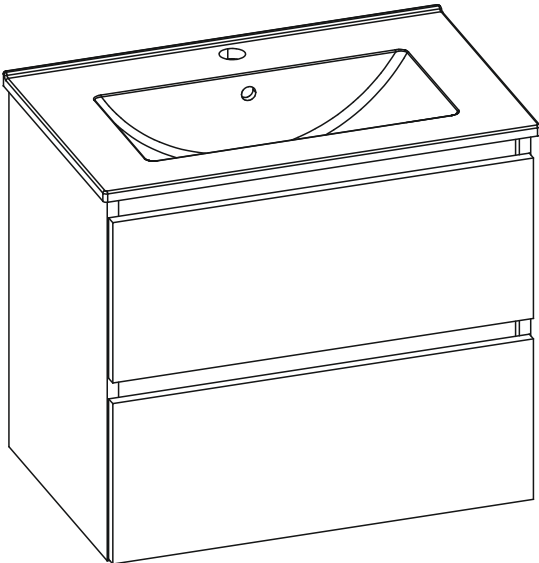
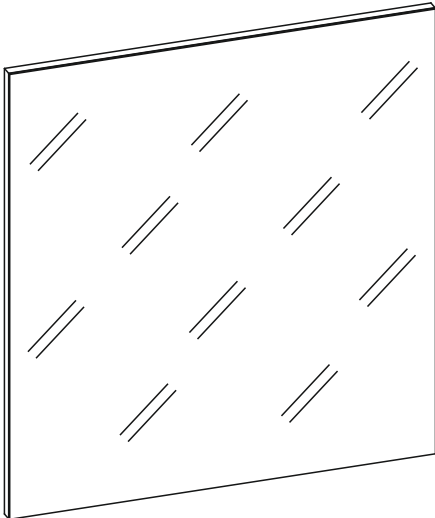
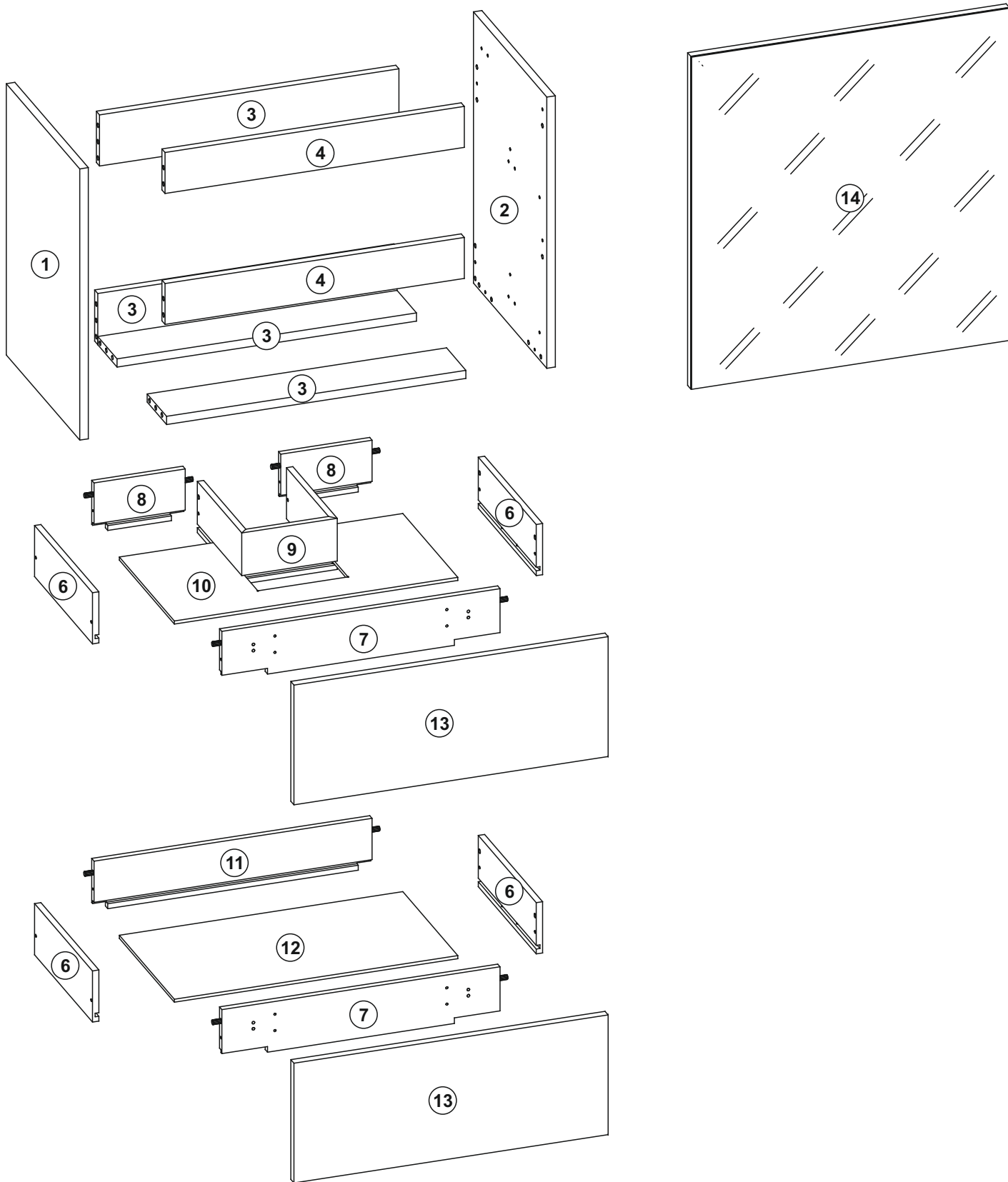

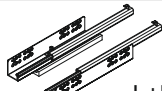

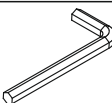
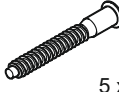


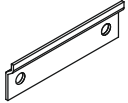
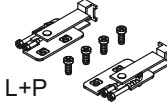
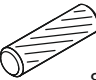
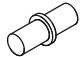



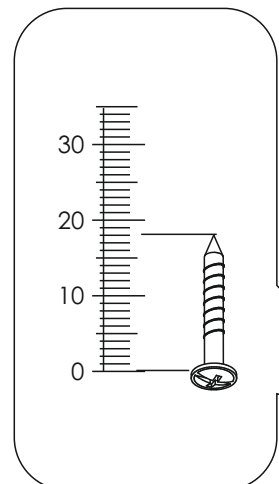
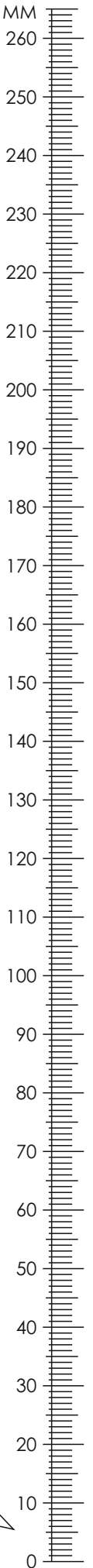


# 60/80 2DR

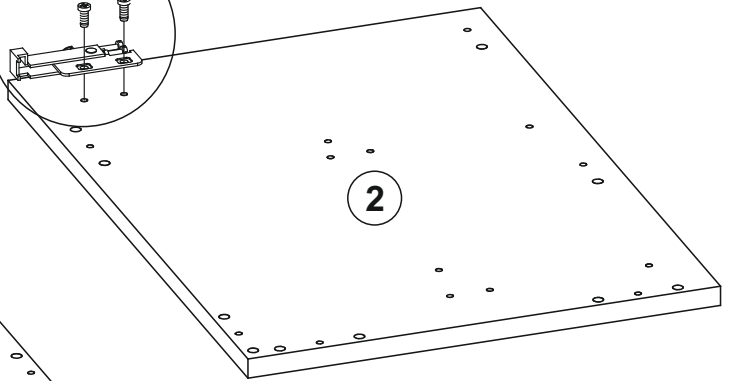
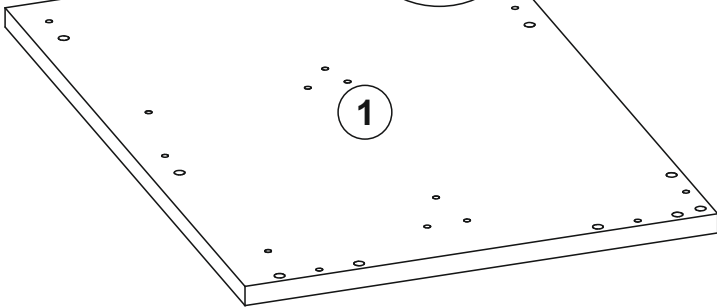
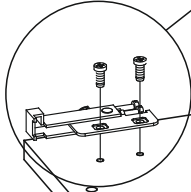
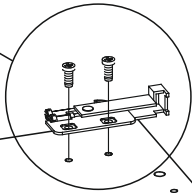
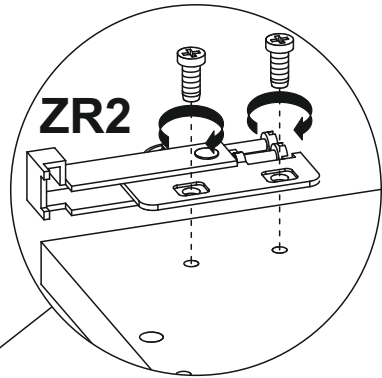
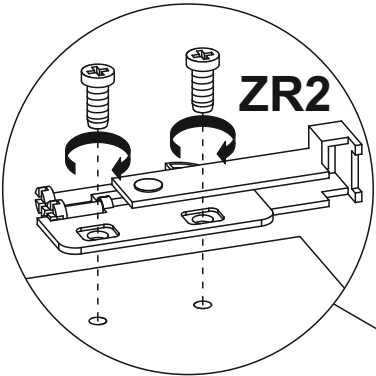
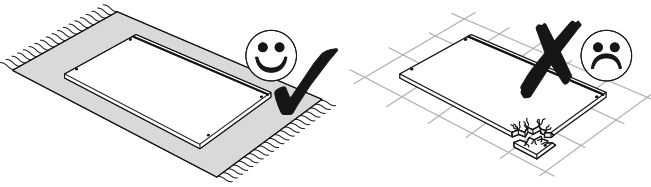




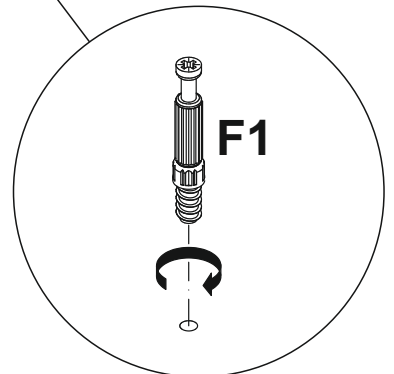
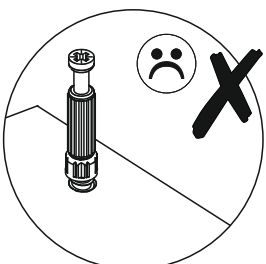
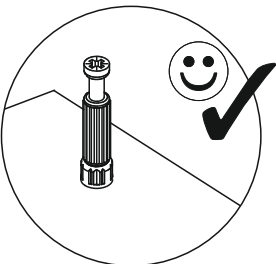
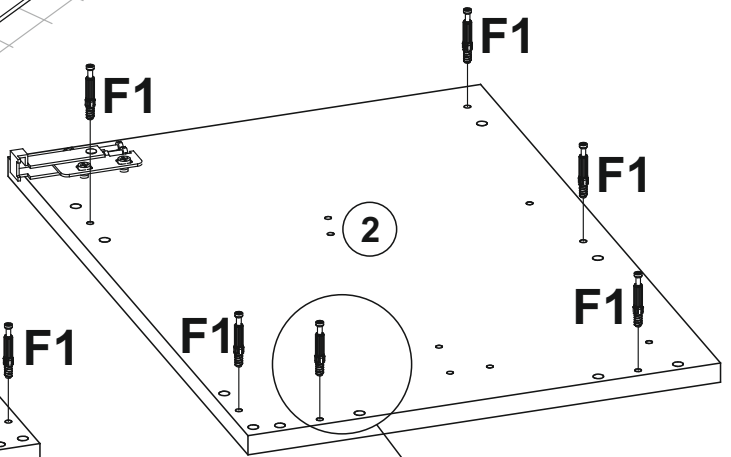
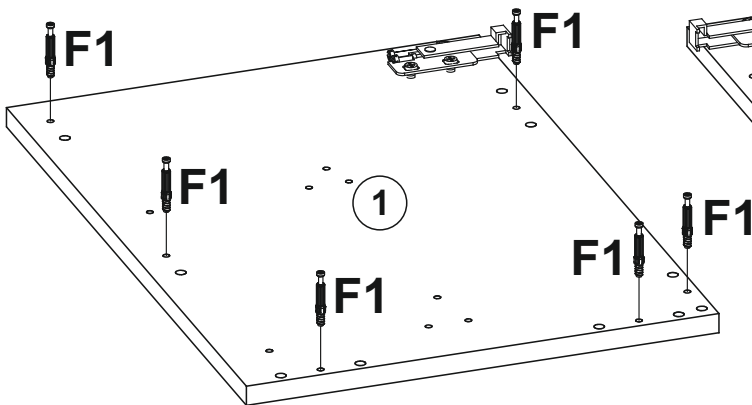
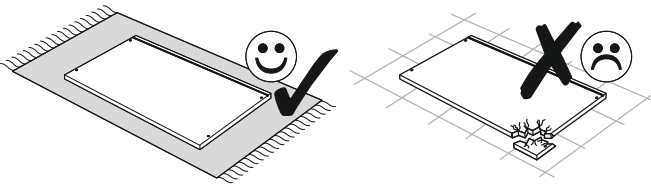
<b>C4</b>  Euro 6,3x13 x 12	<b>PHQ30</b>  L+P x 2	<b>M4</b>  US3,5x20 x 4		
<b>M3</b>  x 1	<b>G2</b>  5 x 40 x 10			
<b>E1</b>  x 12	<b>F1</b>  x 12			
<b>P11</b>  x 2	<b>ZR2</b>  L+P x 1			
<b>A1</b>  8x30 x 20	<b>D1</b>  x 4	<b>I10</b>  UP 4x23 x 8	<b>R4</b>  x 4	<b>R8</b>  ø8 x 4

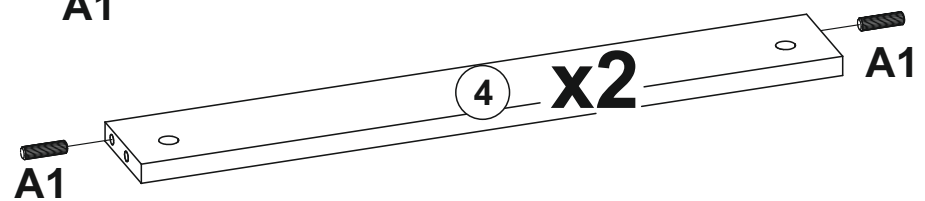
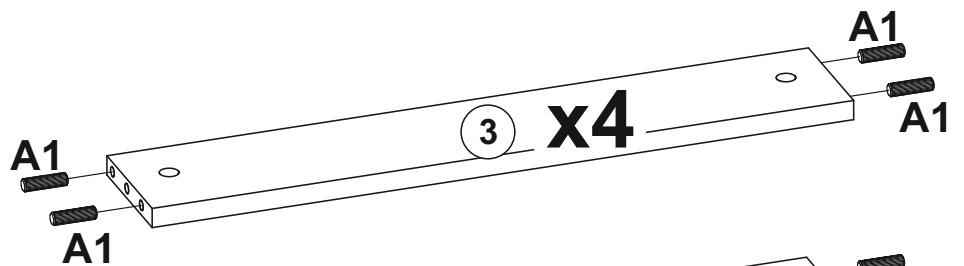
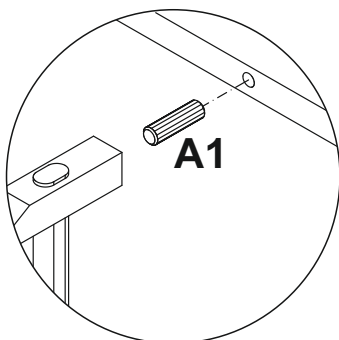
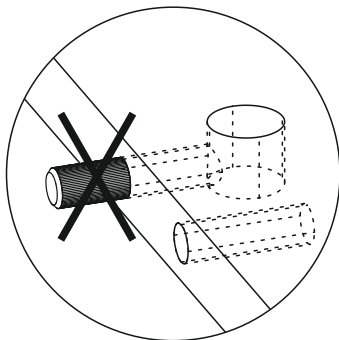
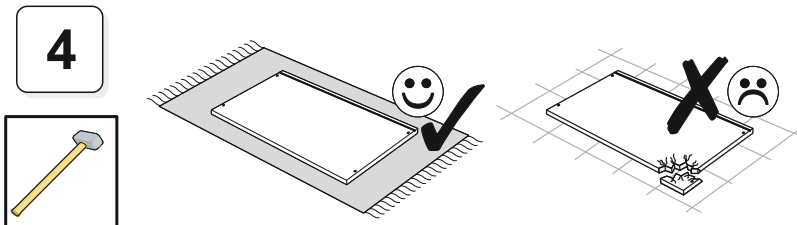
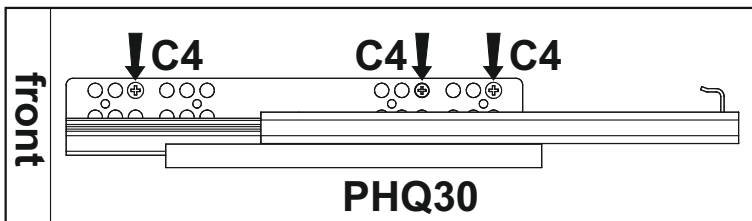
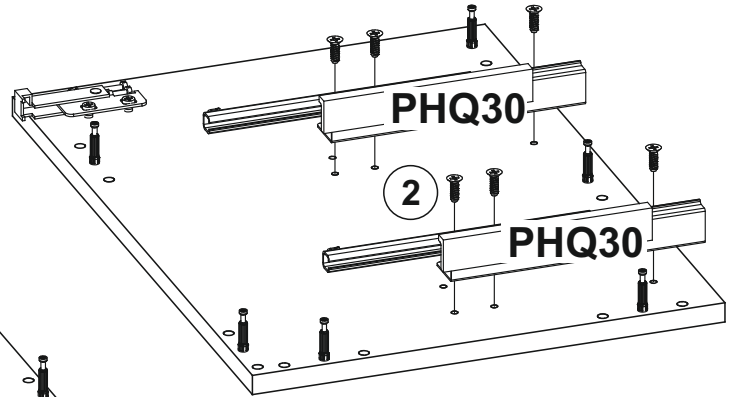
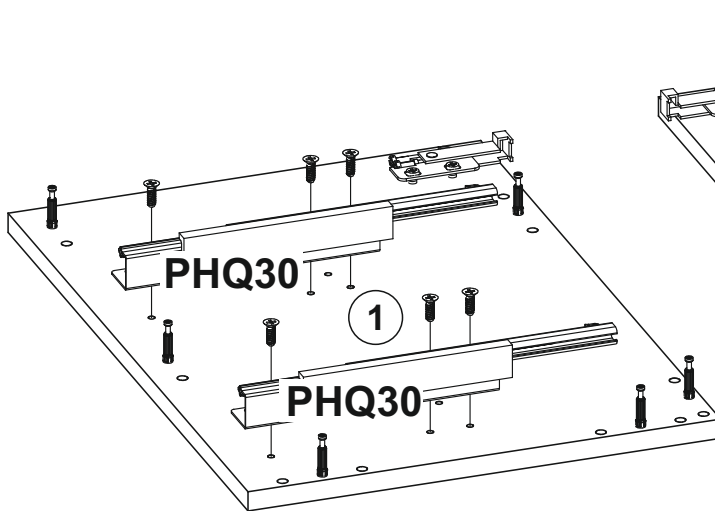
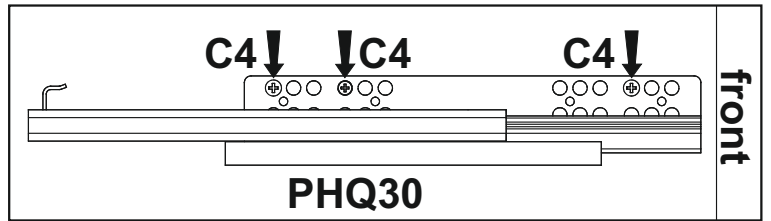
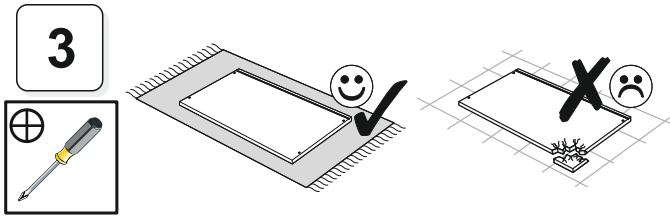


1

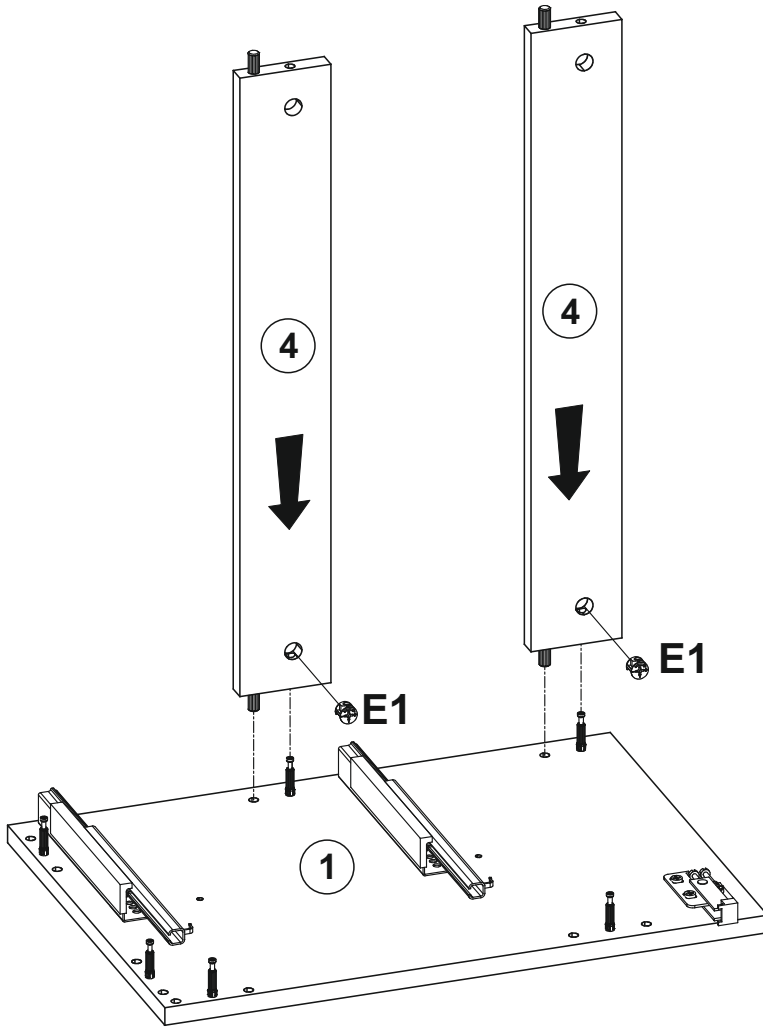
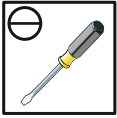


2

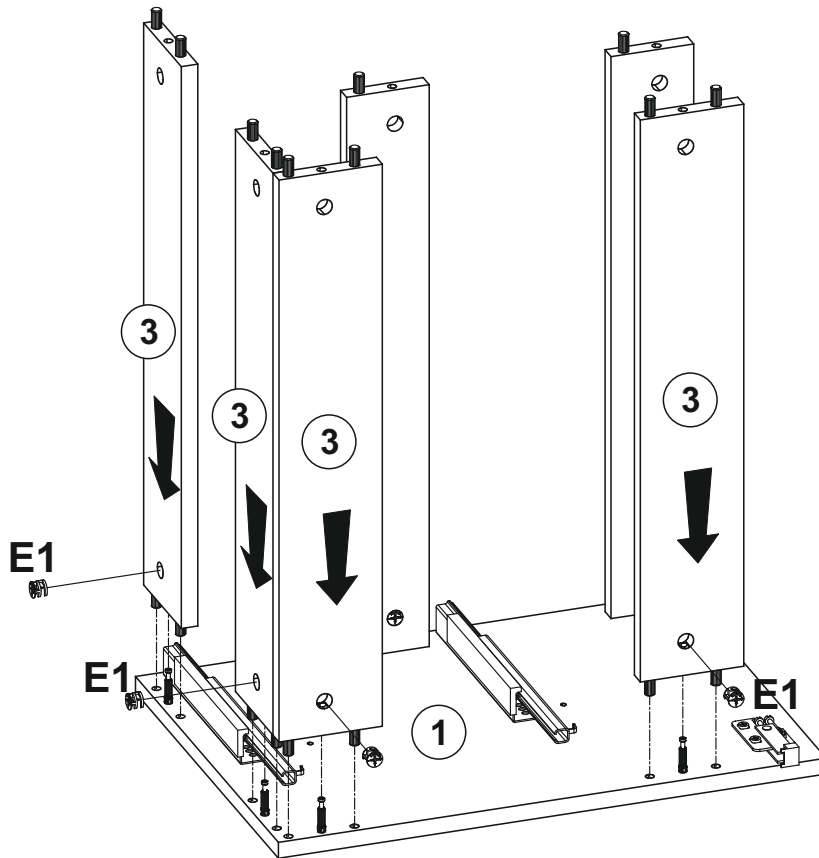
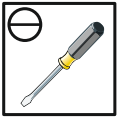


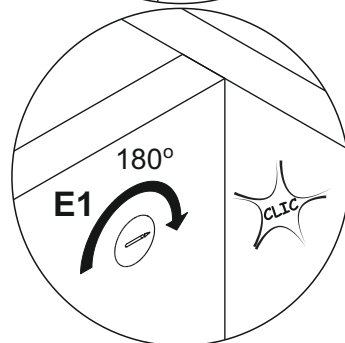
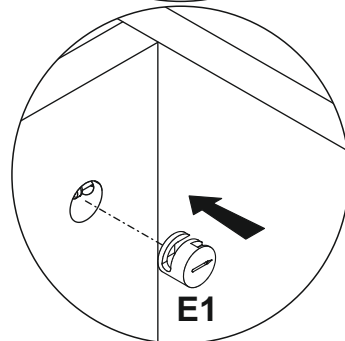
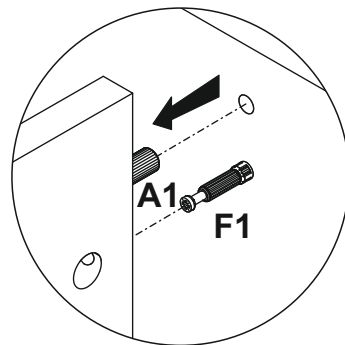
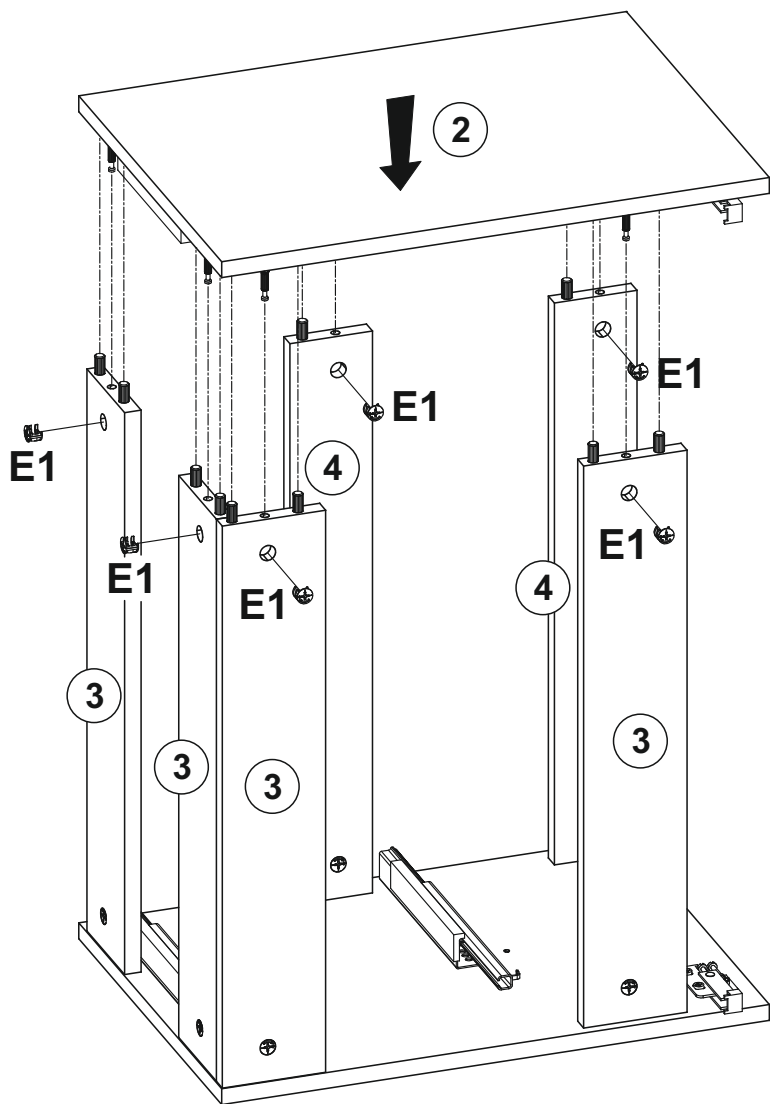
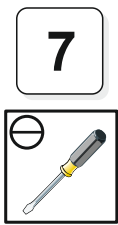


5

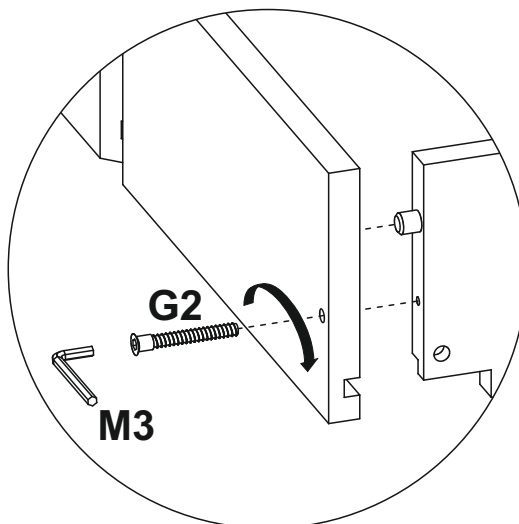
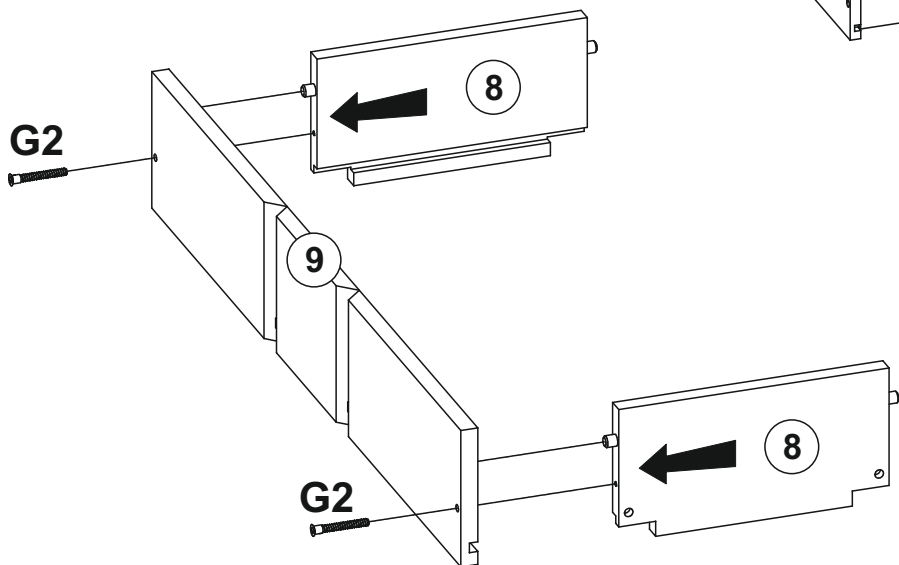
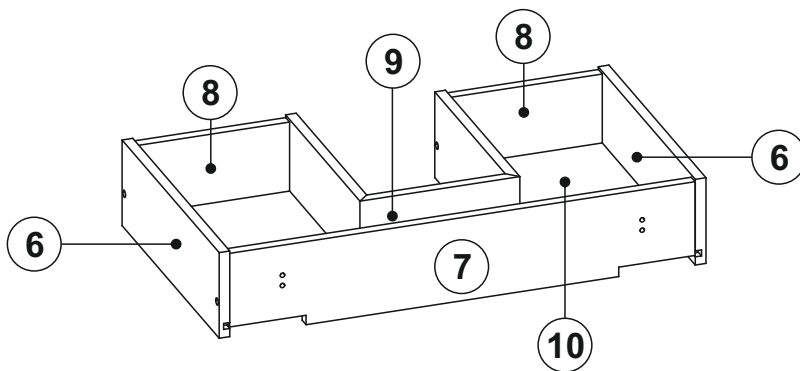


6

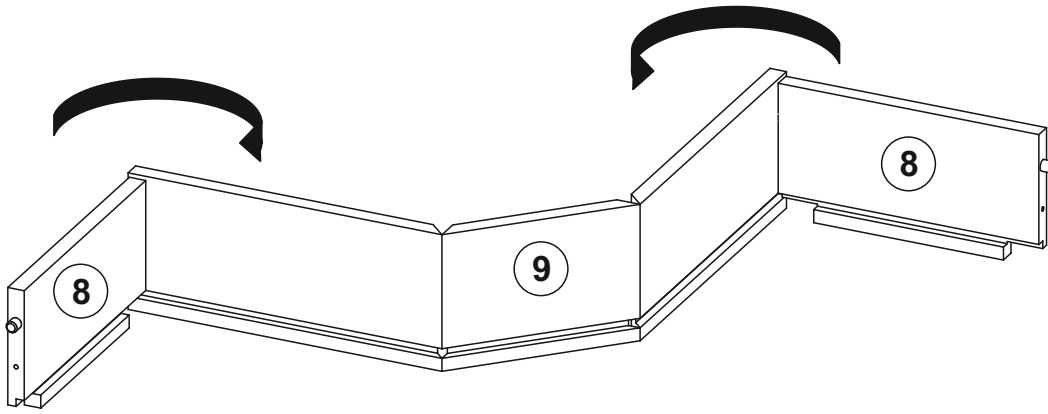




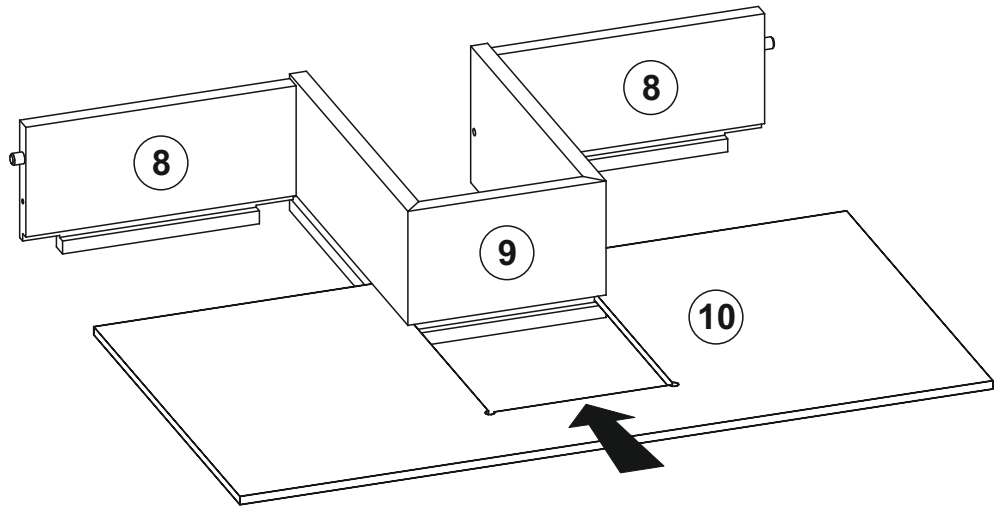
8



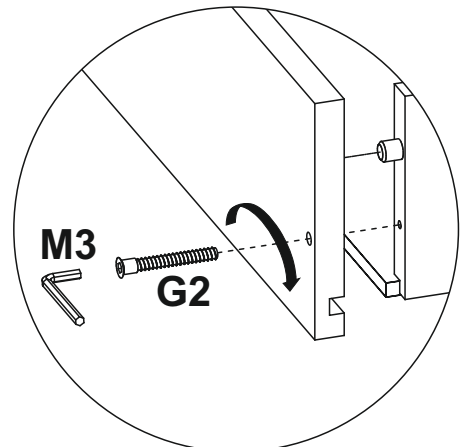
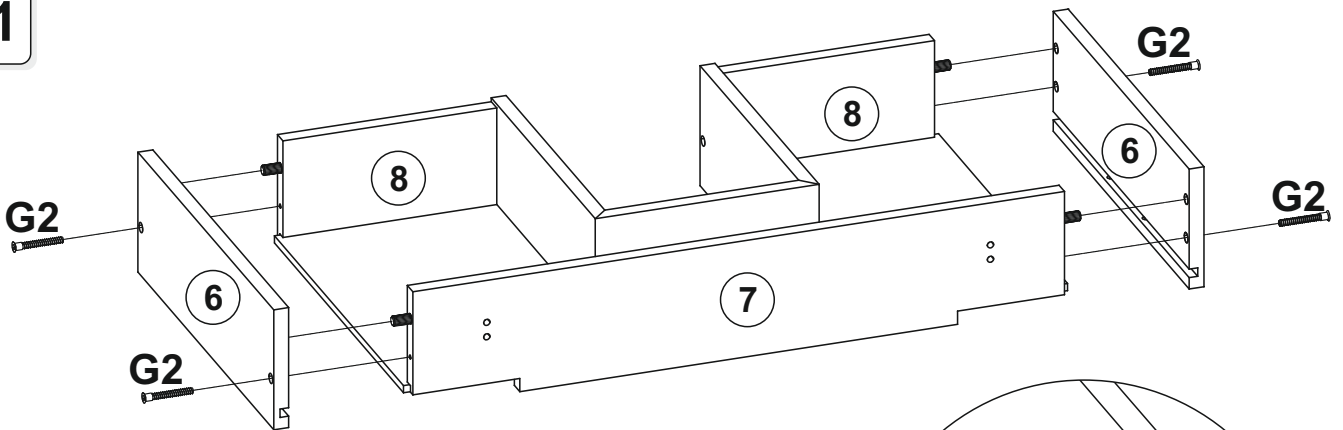
9



10

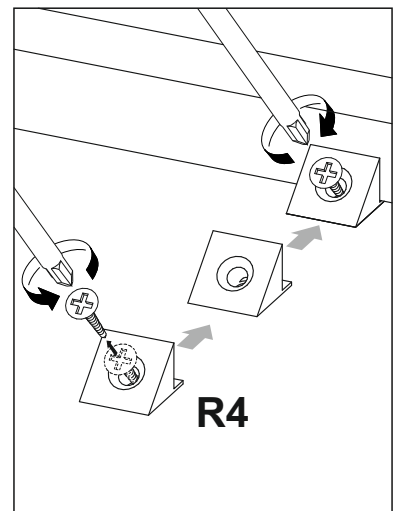
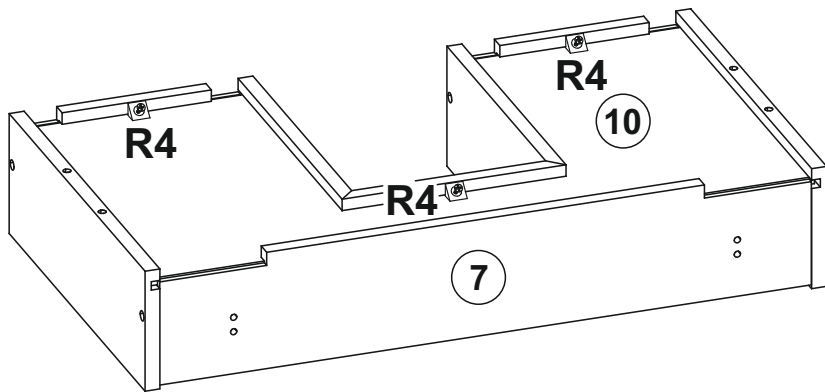
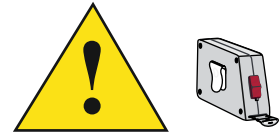
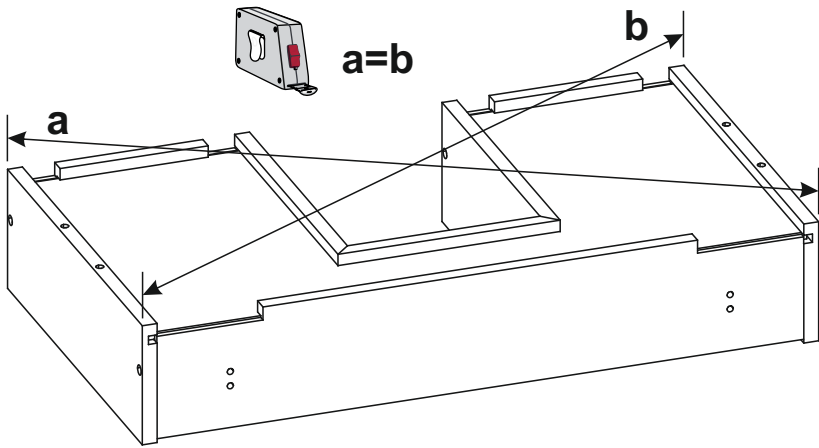


11

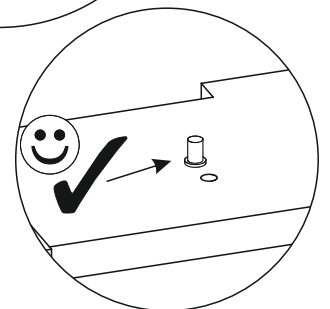
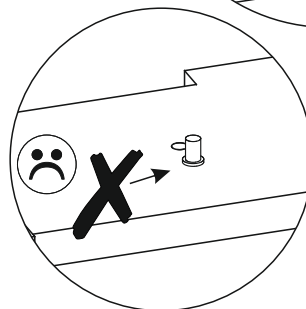
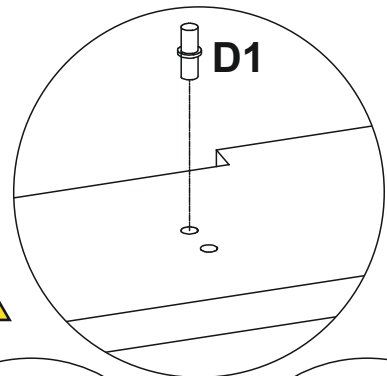
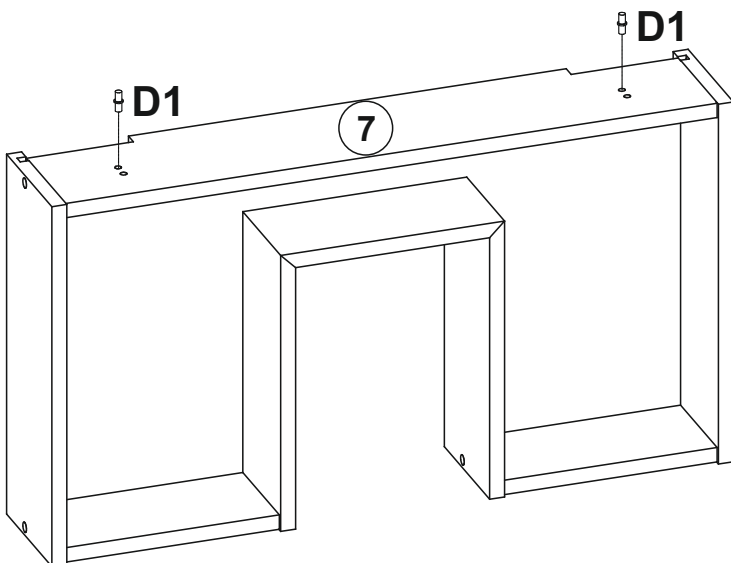




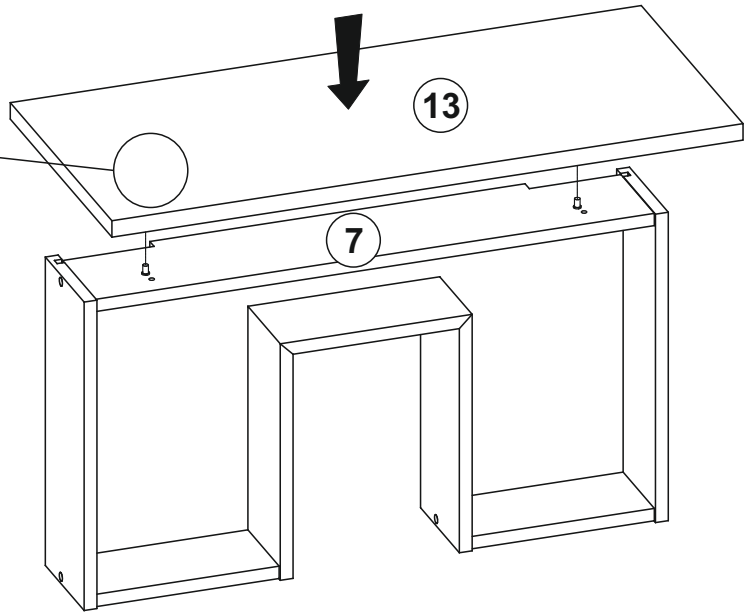
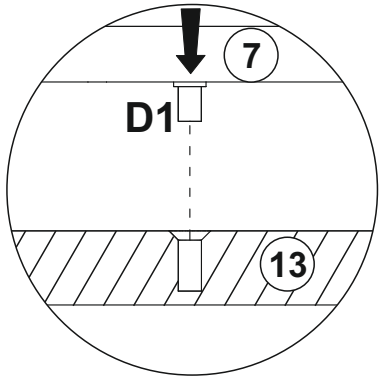
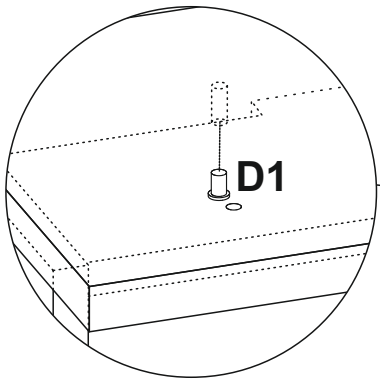
12



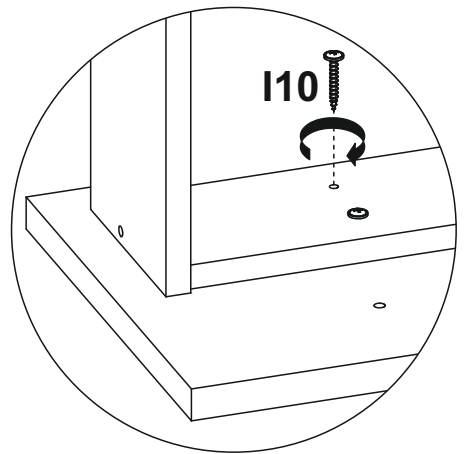
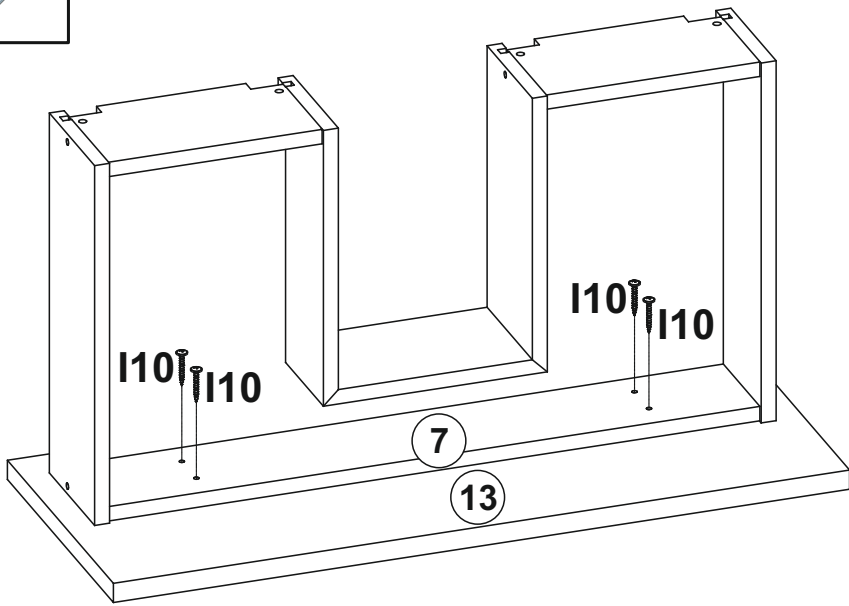
13



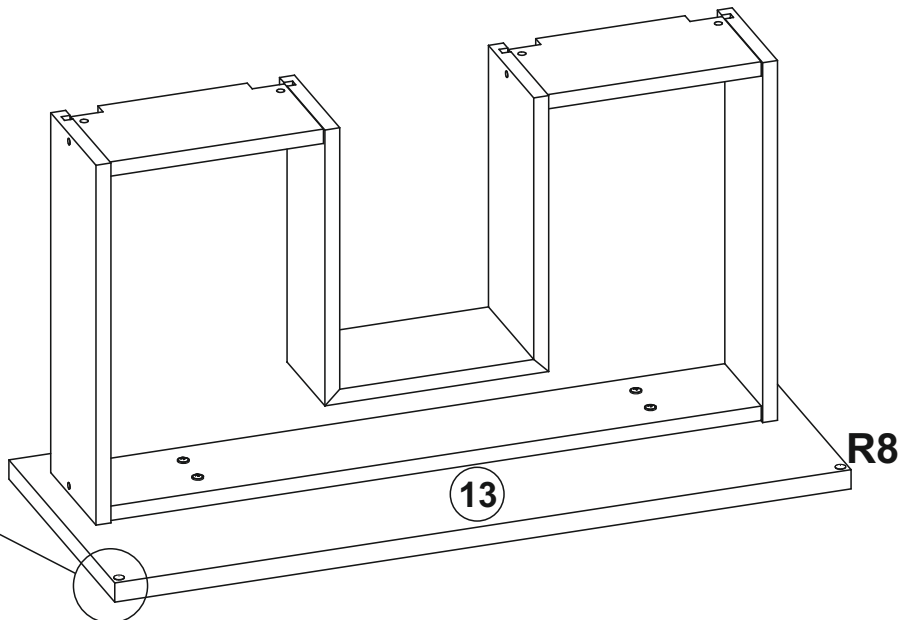
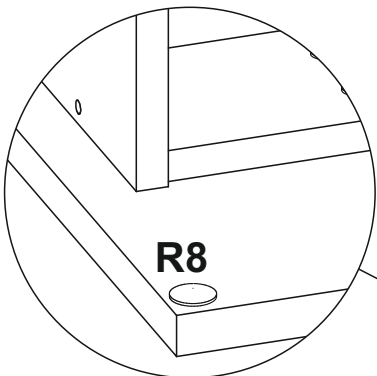
14



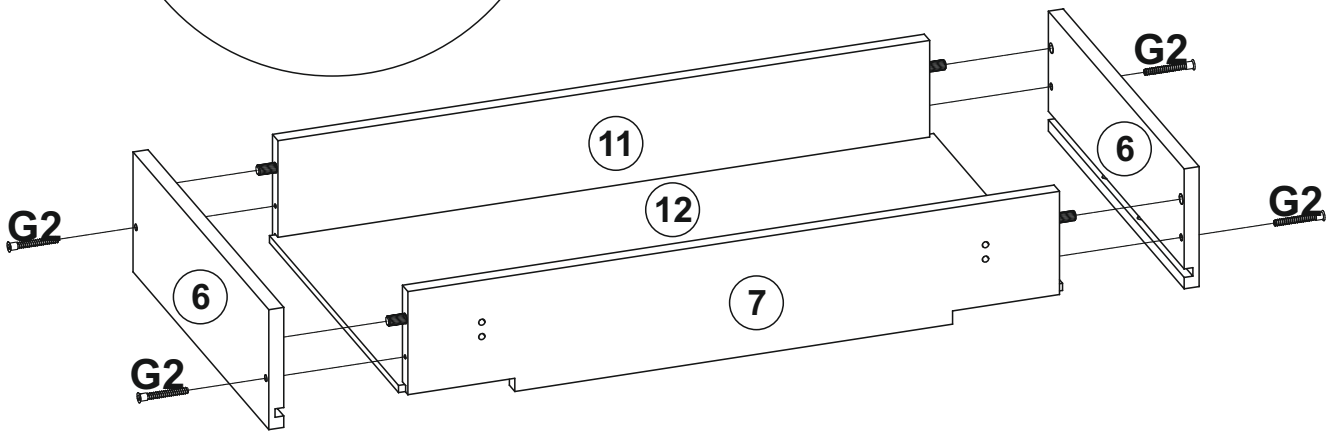
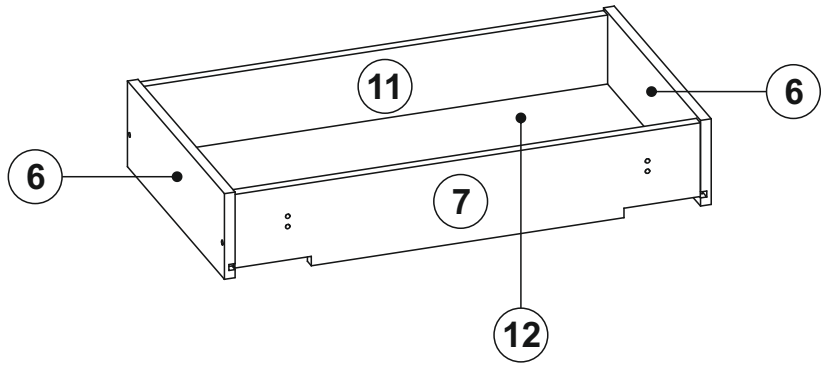
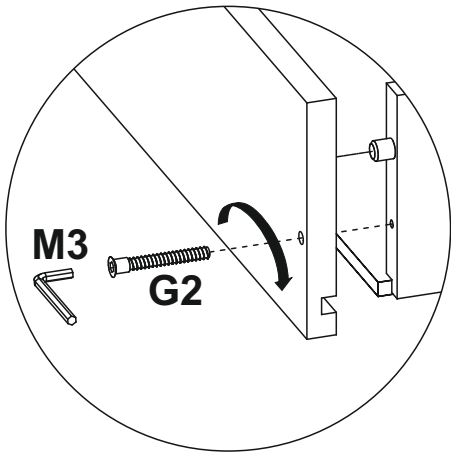
15



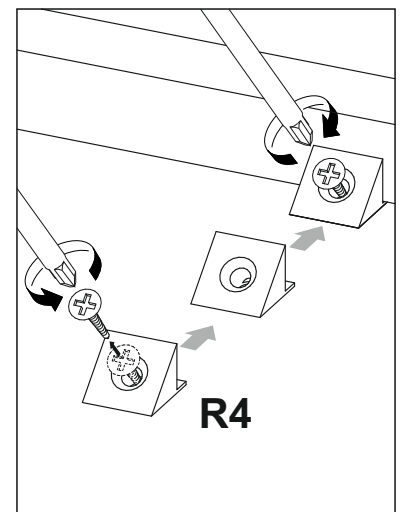
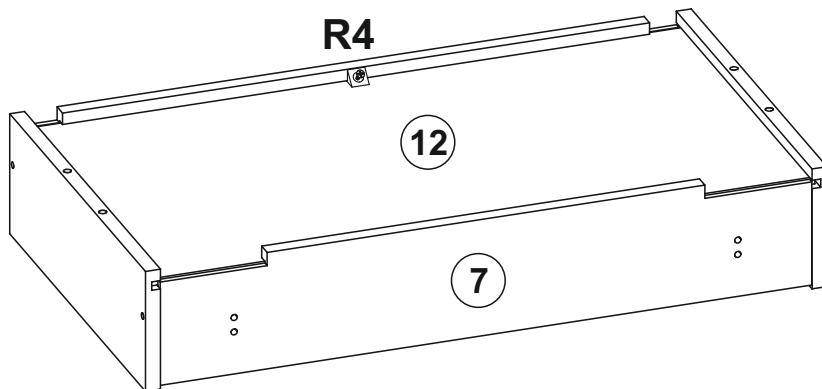
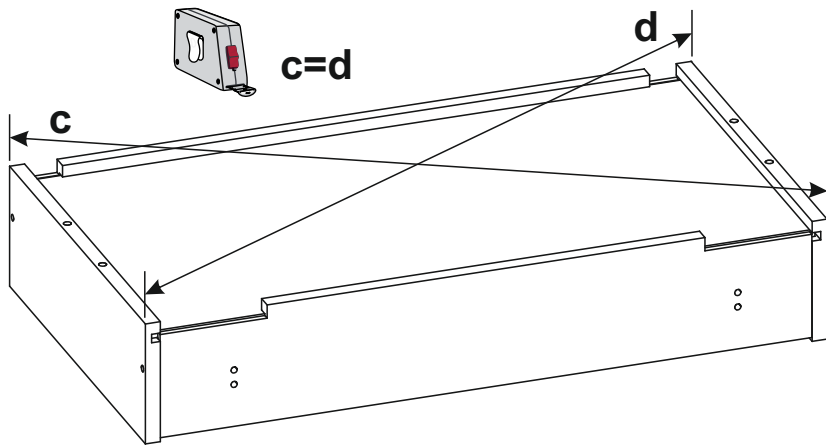
16



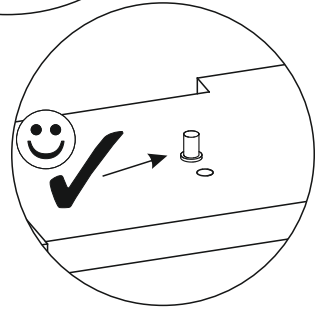
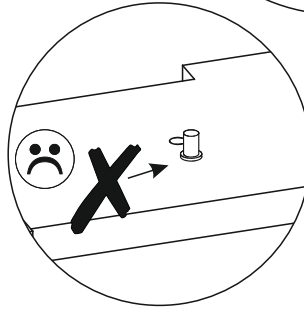
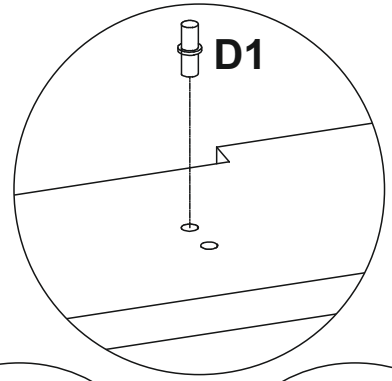
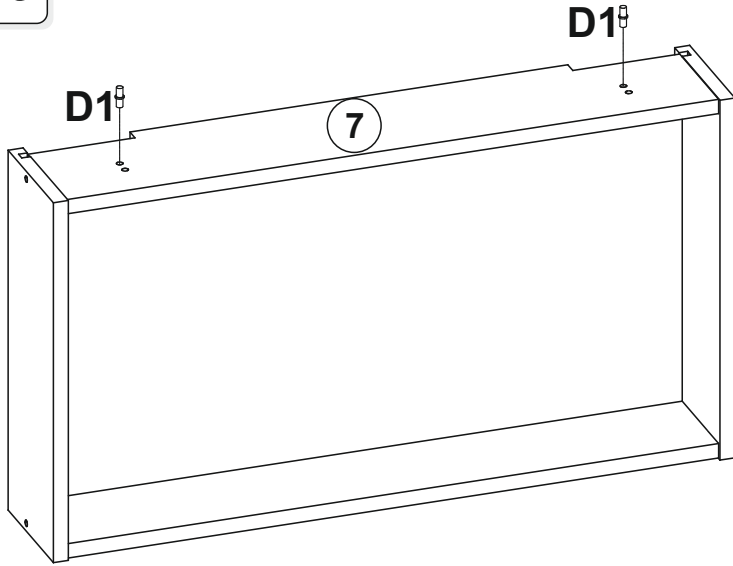
17



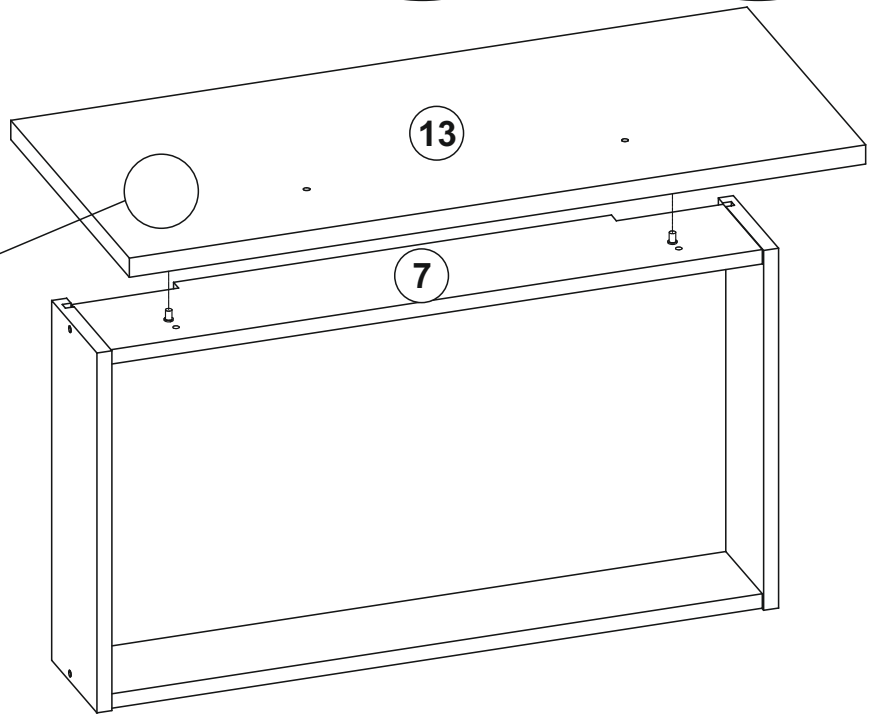
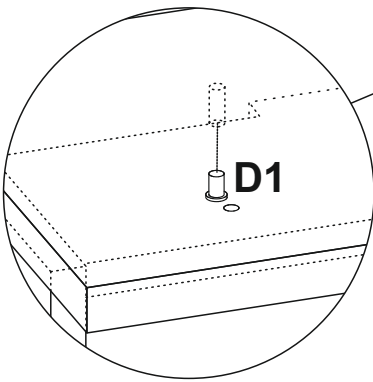
18



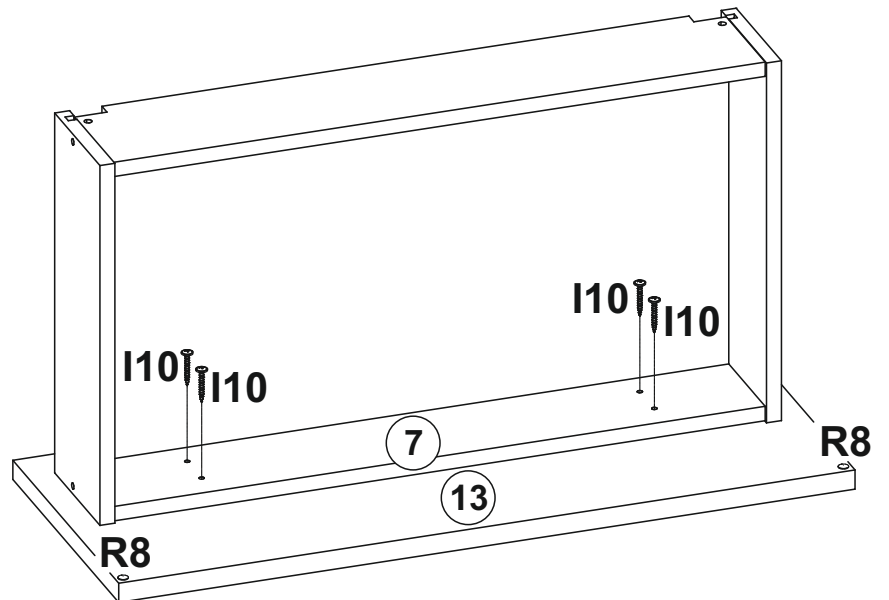
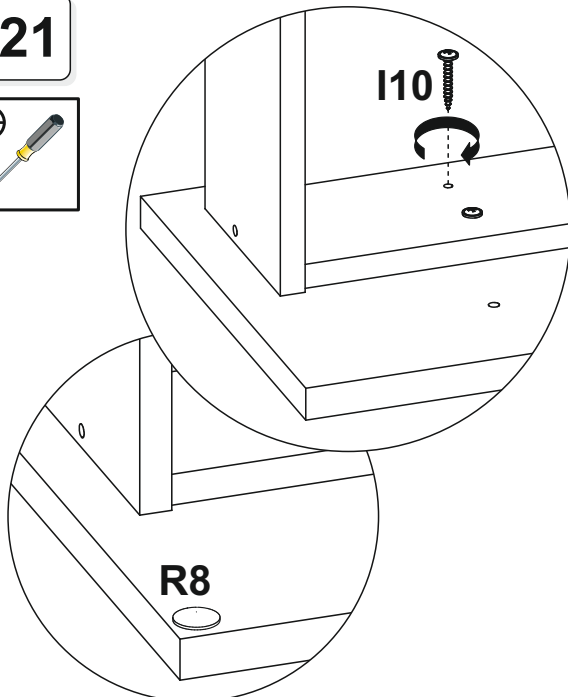
19



20

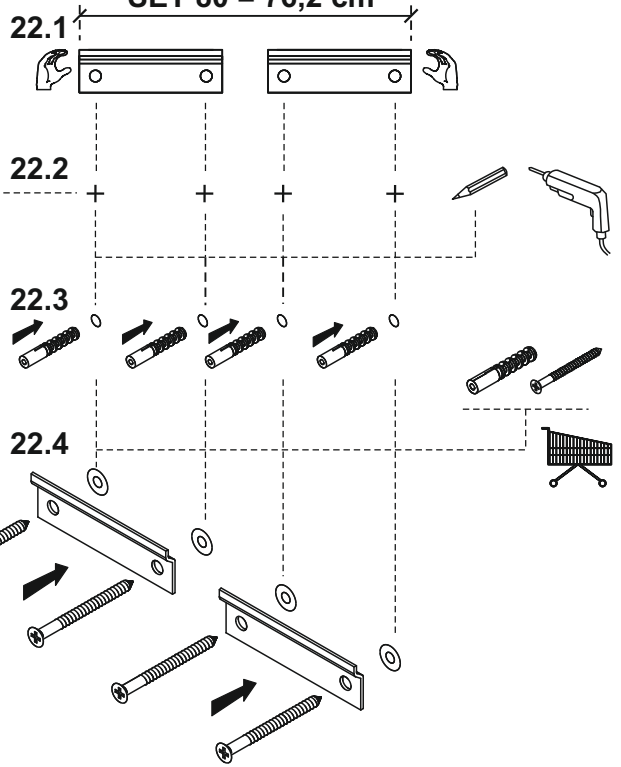
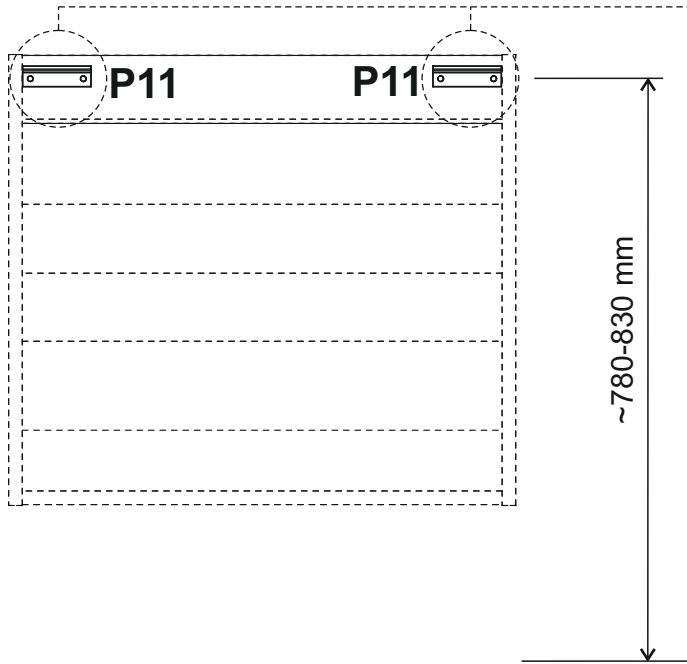


21

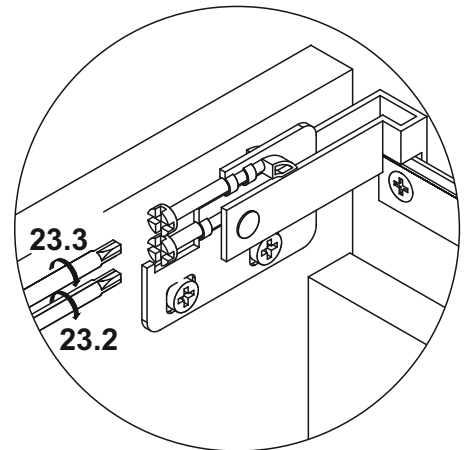
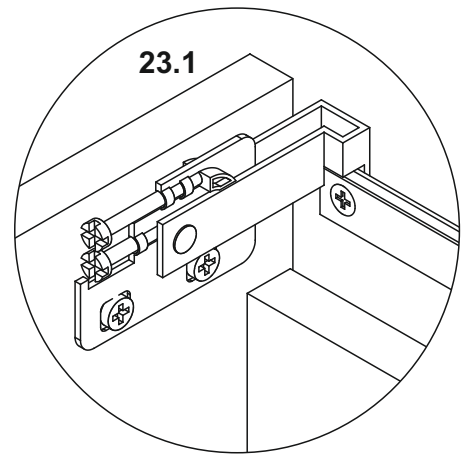
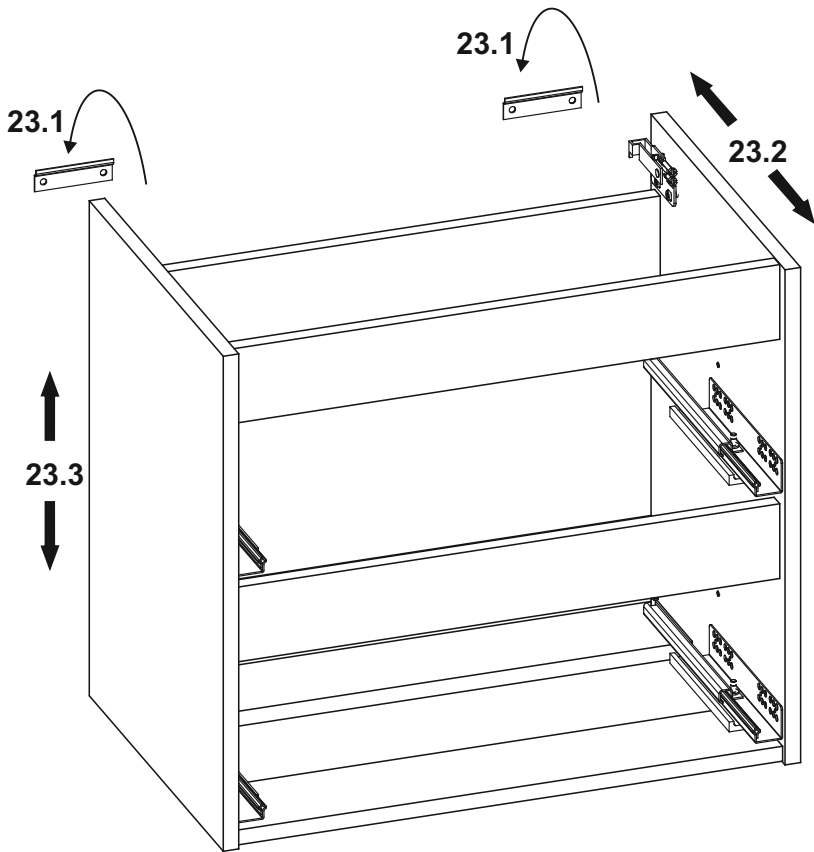


22

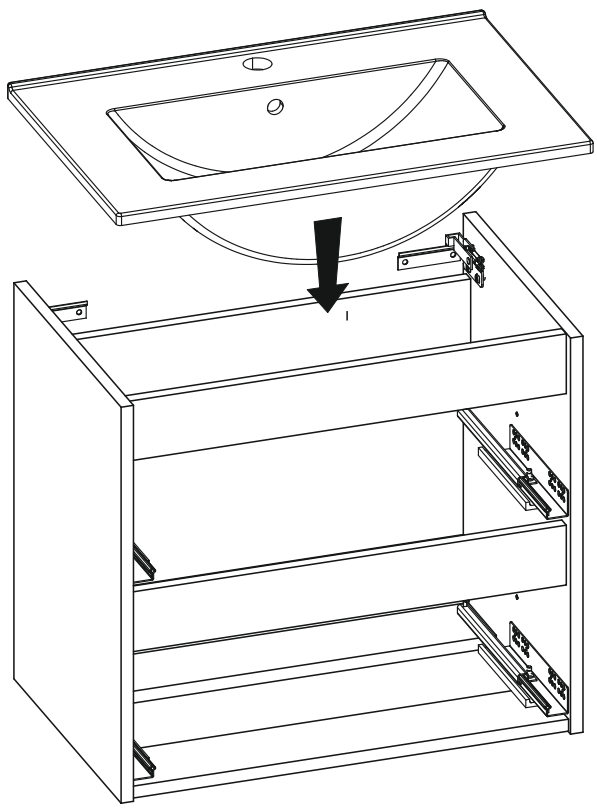
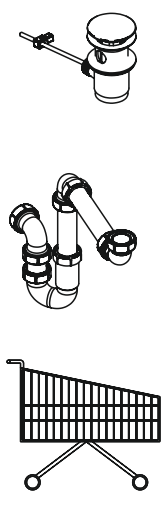
SET 60 = 56,2 cm  
SET 80 = 76,2 cm



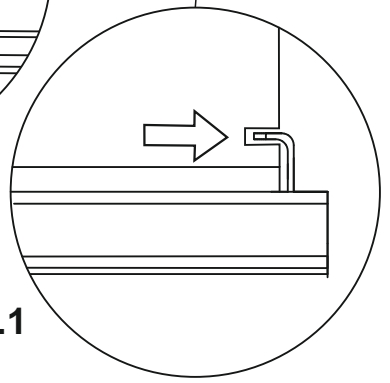
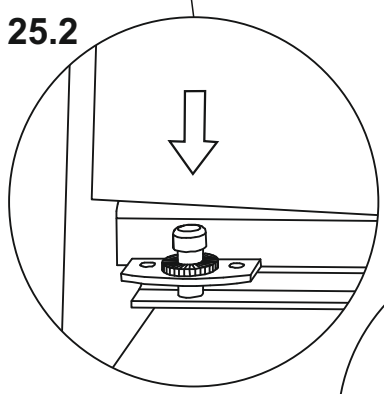
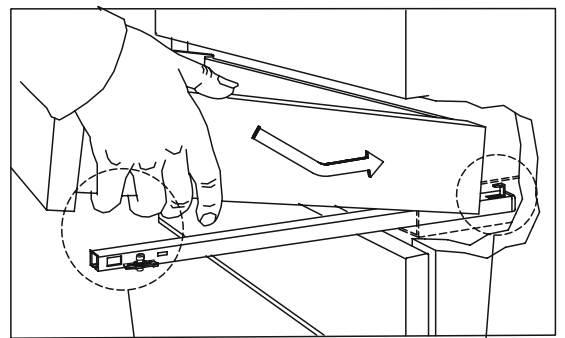
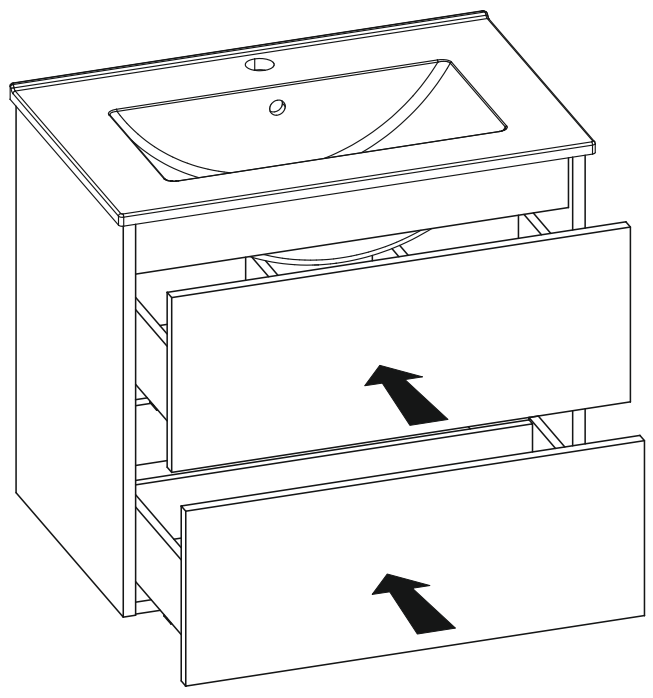
23



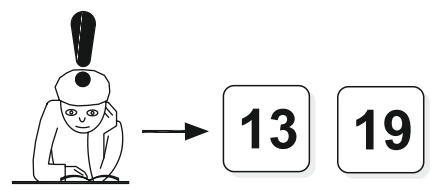
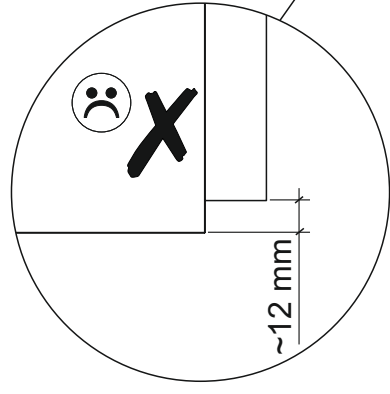
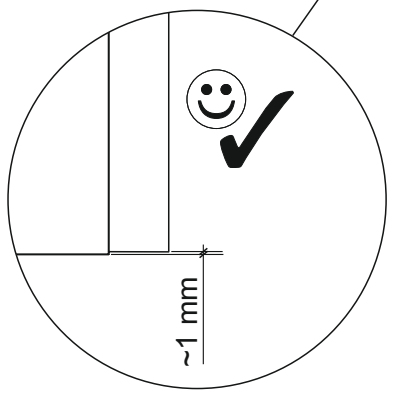
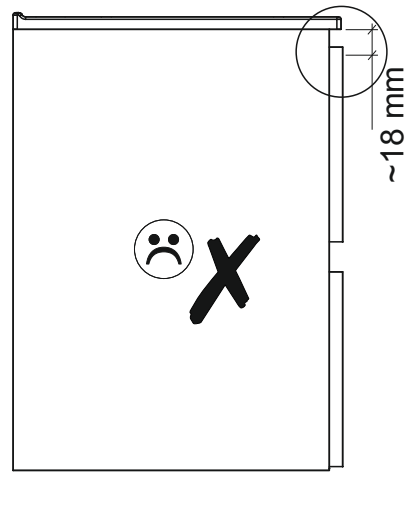
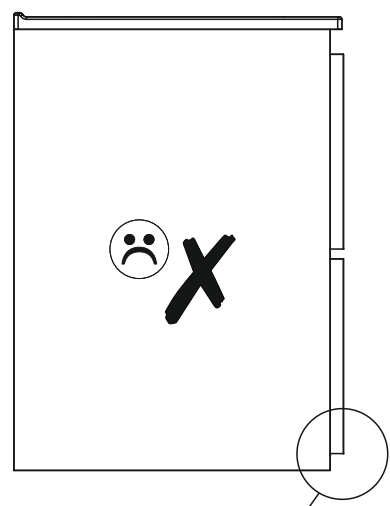
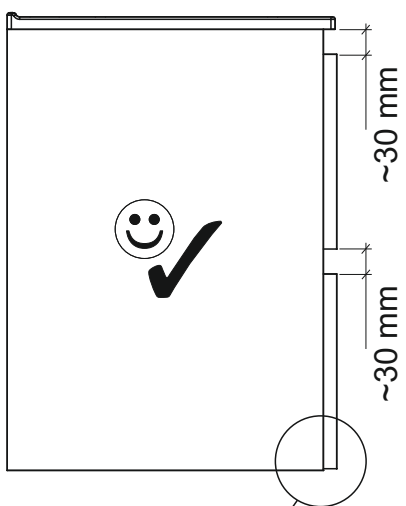
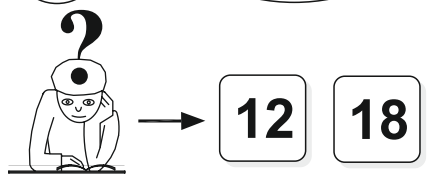
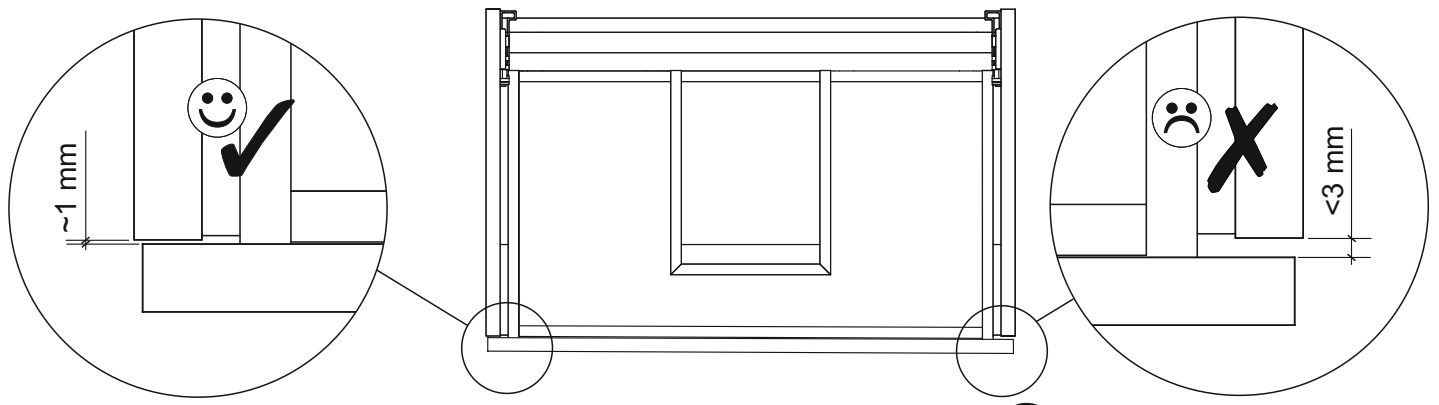
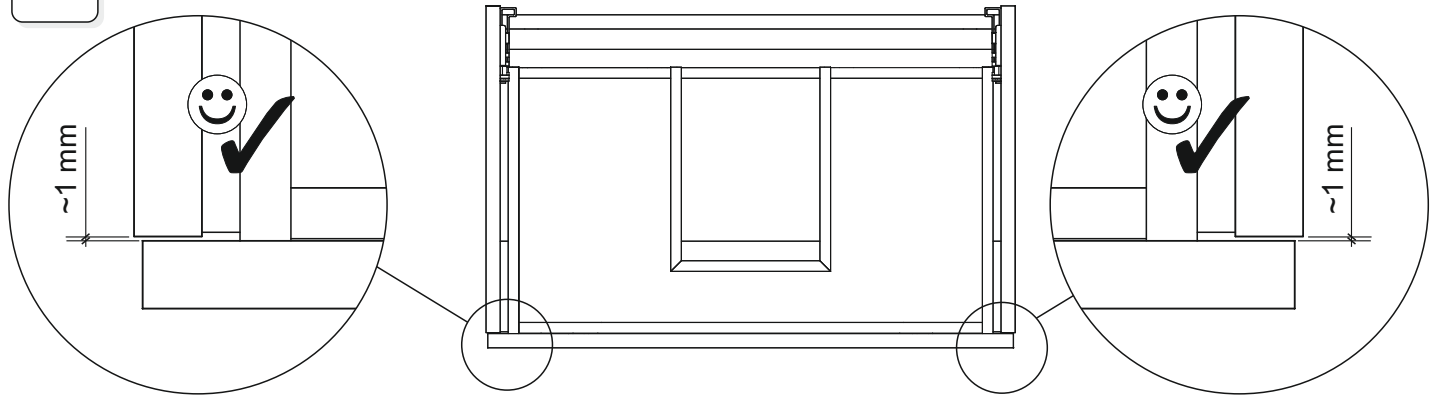
24



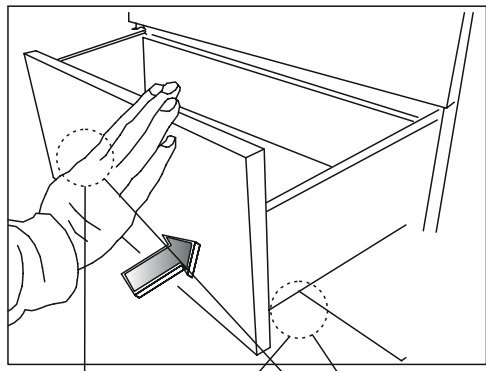
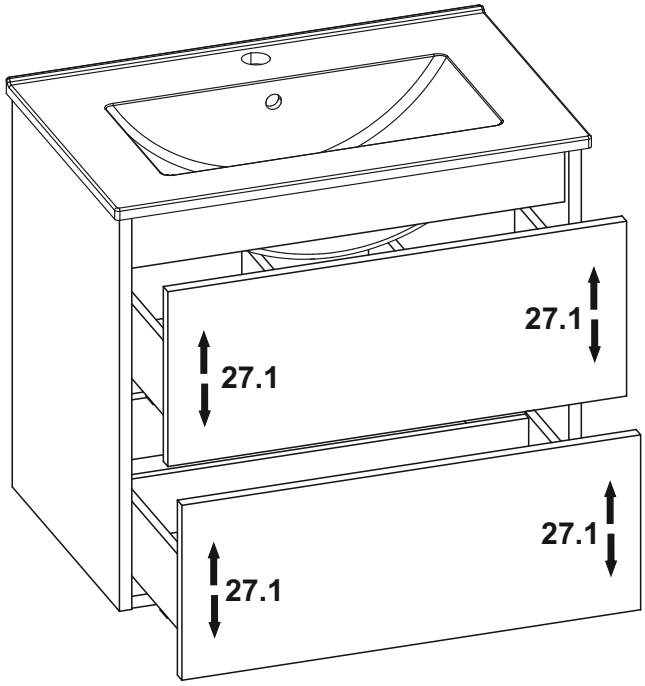
25



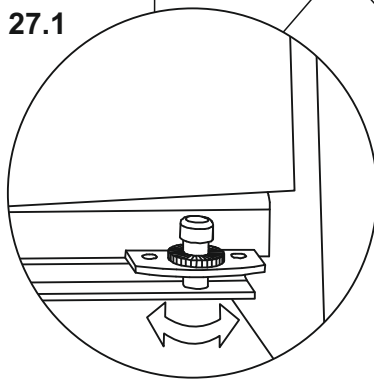
26



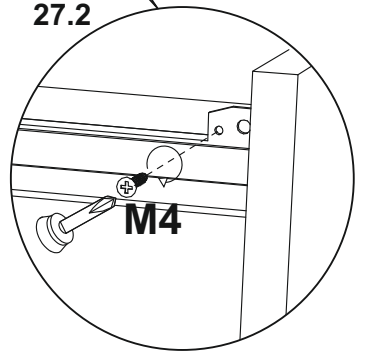
27



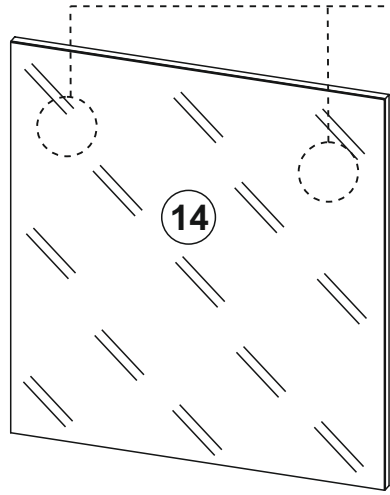
27.1



27.2



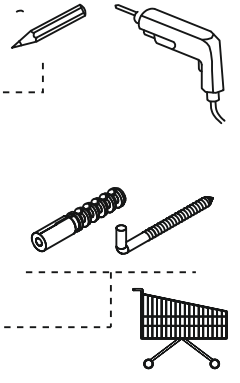
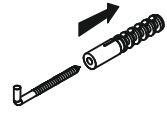
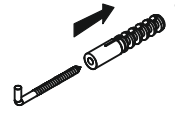
28



28.1

SET 60 = 40 cm  
SET 80 = 60 cm

28.2



28.3

