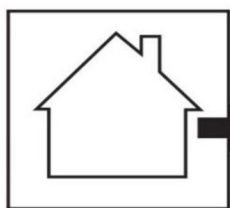
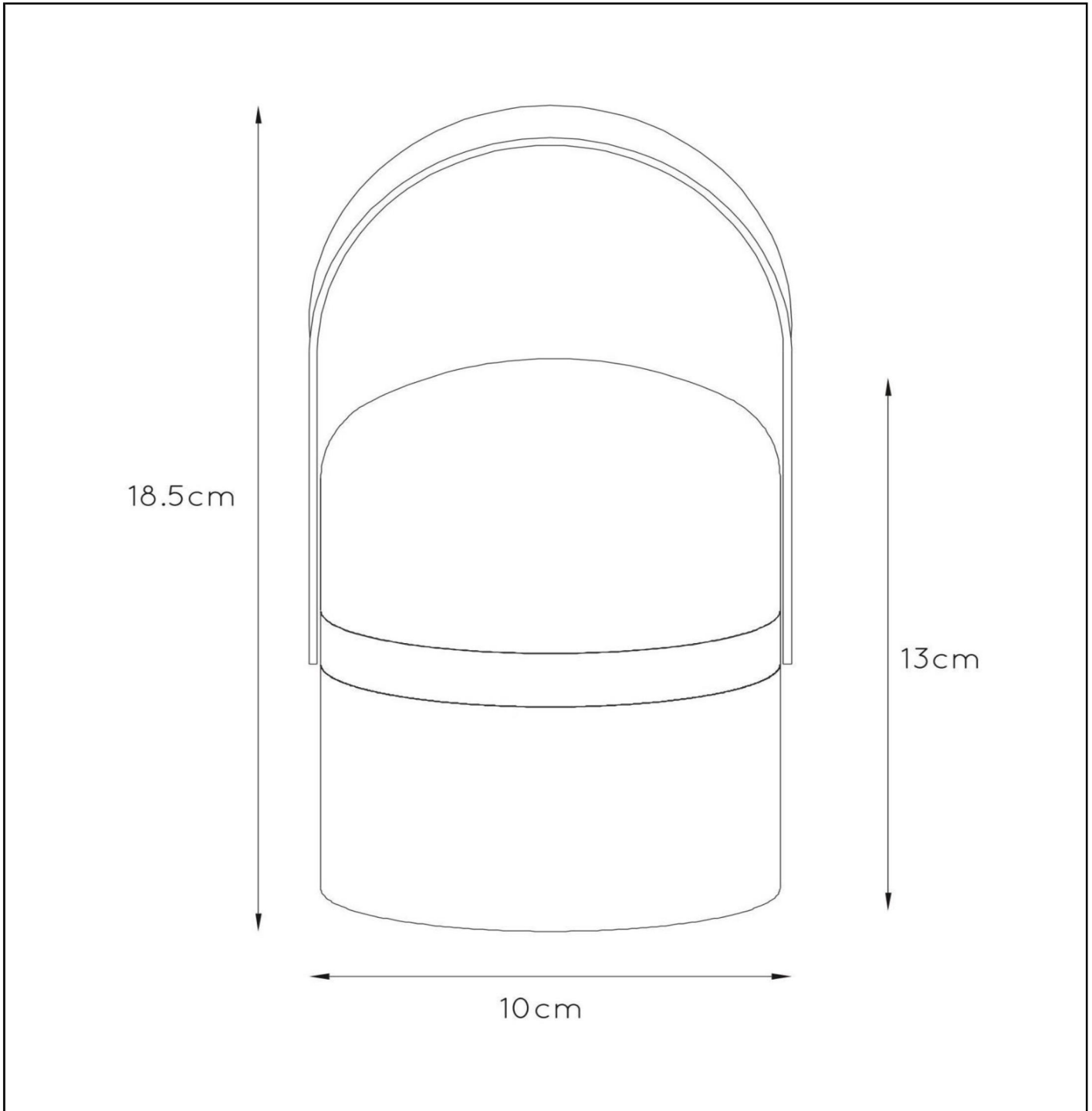


LITTLE JOE

Item number: 06802/01/30
EAN code: 54 1121206 14 16



IP44

IP54

IP65

IP67

The explanation of the IP ratings can be found in the safety instructions.

For more specifications or dimensions of this product please visit www.lucide.com