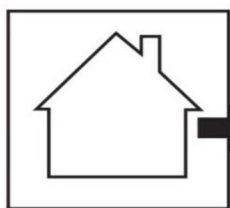
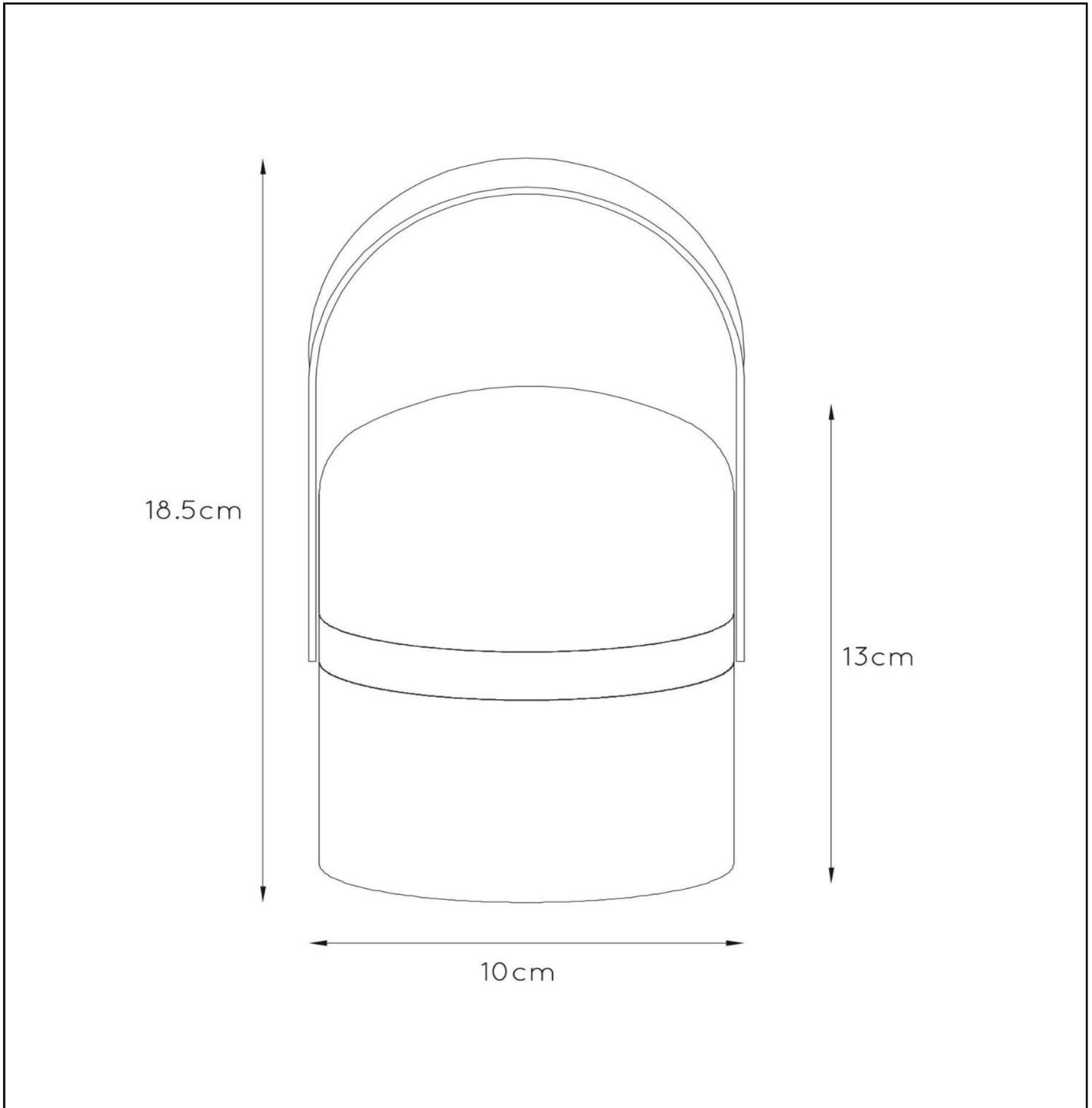


LITTLE JOE

Item number: 06802/0133
EAN code: 54 1121206 1423



IP44

IP54

IP65

IP67

The explanation of the IP ratings can be found in the safety instructions.

For more specifications or dimensions of this product please visit www.lucide.com