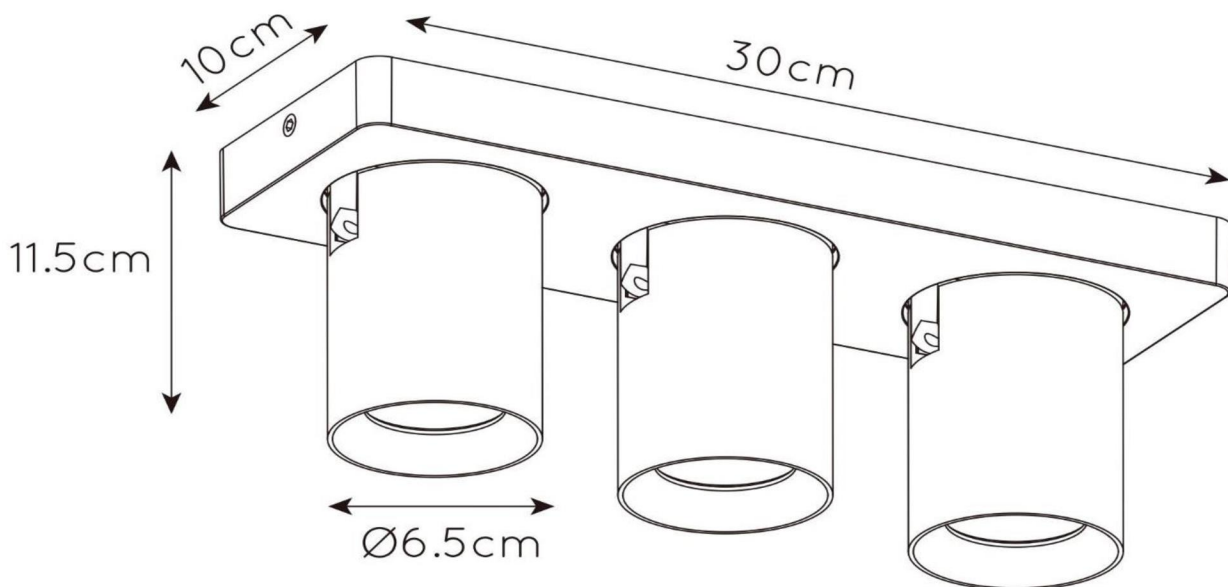


**NIGEL**

Item number: 09929/15/30  
EAN code: 54 11212092571



For more specifications or dimensions of this product please visit [www.lucide.com](http://www.lucide.com)