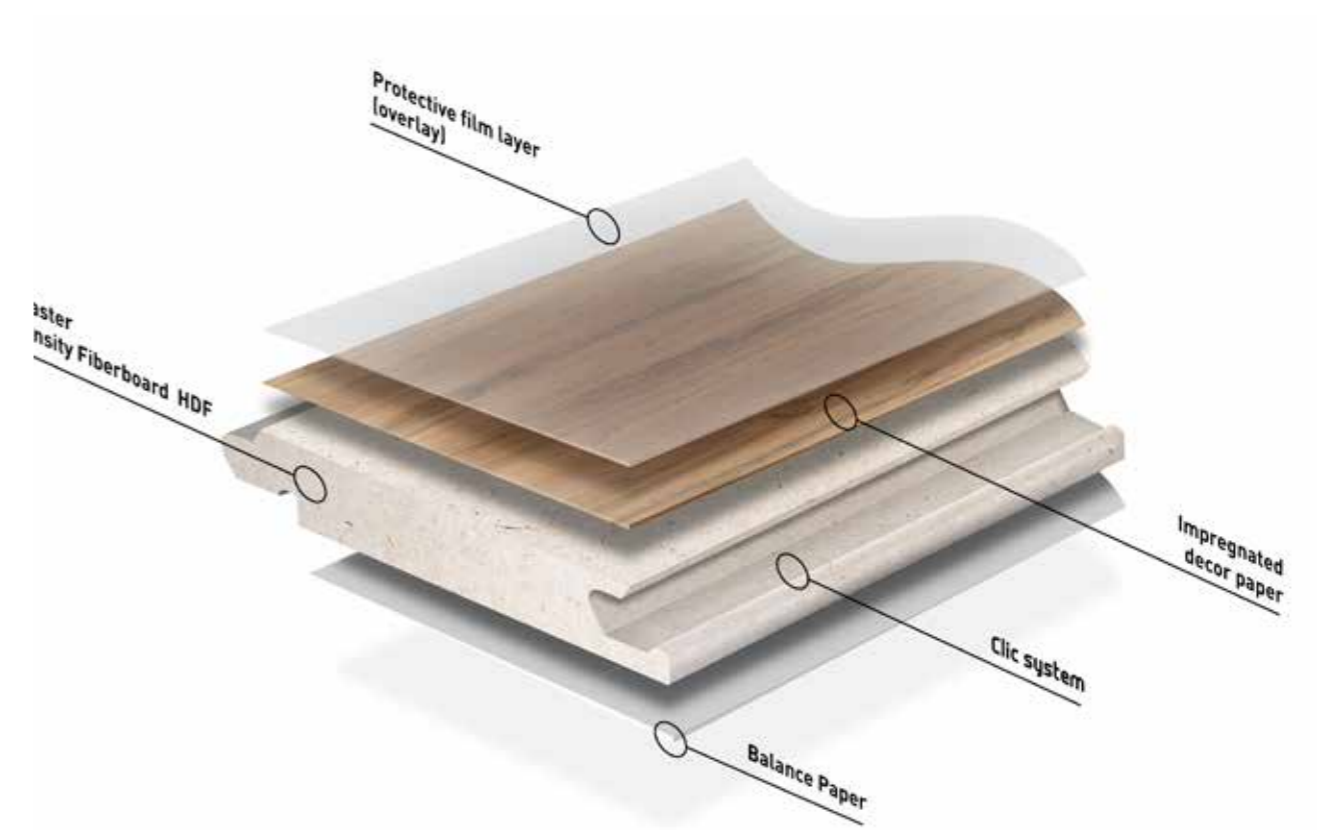


VARIOCLIC | **TERRACLICK**

L A M I N A T E F L O O R I N G
I N S T A L L A T I O N A N D
U S E R ' S G U I D E





1. PRODUCT

Laminate flooring - Elements with a surface layer based on amino plastic thermoset resin. (EN 13329+A1)

Laminate Flooring generally consists of 3 general layers;

Bottom Layer;

It is a layer between the product and the floor, which prevents water and/or moisture absorption of the product and provides stabilization.

Core Layer;

It is a high density fiberboard layer, also called main carrier.

Top Layer;

It consists of two layers as a layer that provides decorative appearance to the product and a layer that gives resistance to the surface. The surface coating consists of cellulose treated with special artificial resin to provide a hard and durable surface.



2. RECOMMENDED USES

It is produced in order to be used as floor covering with different surface and form structure in domestic use and commercial spaces. It should not be used outdoors, in places that are cleaned with water and/or exposed to water, sunlight, steam and heat sources directly.

While 31st and 32nd Class Laminate Flooring are suitable for domestic use, 32nd Class Laminate Flooring is recommended especially for commercial spaces which are visited with shoes and 33th Class Laminate Flooring is recommended for longer periods of use in busy places.

3. STORING OF THE PRODUCT

- The recommended room conditions for storage and use are as follows:
Temperature : 18°C- 25°C
Humidity : 50% - 60%
- It is not suitable to be stored in outdoors, in places exposed to direct sunlight, steam and heat.
- Laminate Flooring should be stored in a flat, i.e. horizontal position. Otherwise, it may be damaged and non-conformities such as sagging, and rotation may occur in the structure.
- Laminate Flooring should be stored in its original packaging. Damaged packages should be repaired accordingly.
- It is important to use a FIFO (first-in-first-out) warehouse management system to prevent products with different production dates from intermingling.
- In order to transmit any defect in the products as soon as possible, the products must be checked and recorded at the time of delivery.

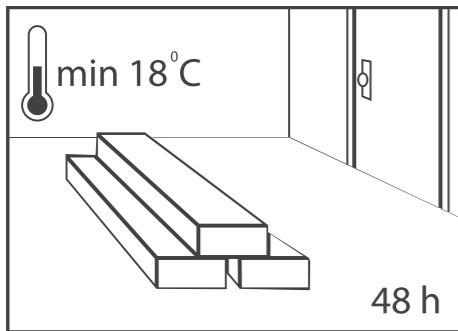


4. HANDLING AND TRANSPORT

- 4.1. Laminate Flooring should be transported horizontally on a flat surface during the Handling and Transport processes. It should not be transported vertically or curved.
- 4.2. The laminate flooring boxes must be tied to the vehicle in order to prevent slipping during transportation. However, it is important to take protection measures in the areas where boxes are tied in order not to damage the Lock system at the joining edges of Laminate Flooring Panels.
- 4.3. In all handling and transportation processes, any friction which can occur on the treated surfaces of the panels and impacts that may damage the surfaces should be avoided.
- 4.4. In all handling and transportation processes, you should wear protective gloves and protective shoes to prevent injury when holding the panels by hand.

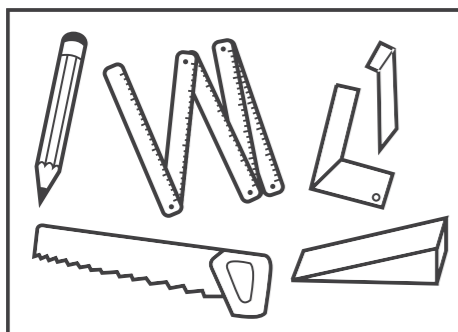


5. APPLICATION AND INSTALLATION



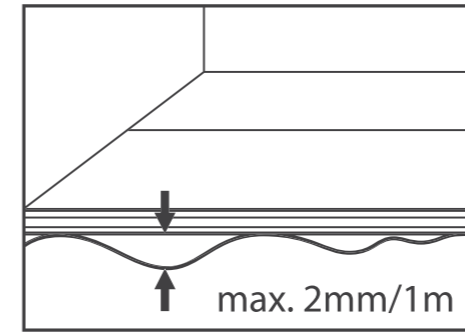
5.1. Preparation of Laminate Flooring Before Installation;

Laminate Flooring Panels should be kept unopened for at least 48 hours before the installation at the place where it will be installed. Pallets should be placed perpendicular to each other, packages should not be positioned against walls and should not be exposed to direct sunlight.



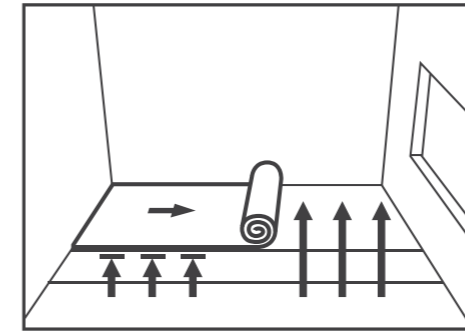
5.2. Materials that may be needed during the installation of laminate flooring;

Materials such as pencil, tape measure, corner bracket, water level, wedge, soft-head wedge, curved knife and electric circular saw should be kept during the laying

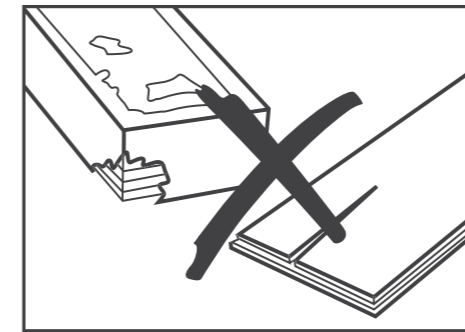


5.3. Environment and Ground Conditions in the installation area;

The flooring environment should have suitable temperature and humidity for laminate flooring. 15-30°C temperature and 40-70% relative humidity are ideal conditions for laminate flooring. Wet floors such as bathrooms and toilets are not suitable for laminate flooring. Parquet product is suitable for indoor use and should not be used outdoors. Cement screed moisture must be 2% absolute on the floor where the parquet will be laid, parquet should not be applied on newly built floors, the floor should be ventilated and dried for at least 1 month, if necessary, the period should be extended.

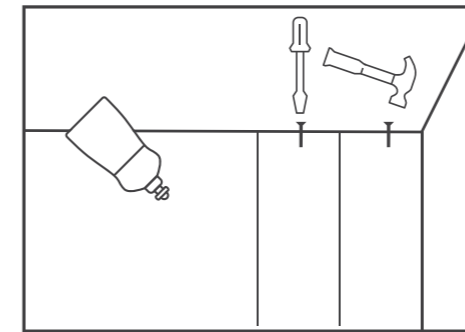


The parquet floor should be clean, dry and smooth. Uneven parts should be levelled and foreign materials such as stones and dust should be removed from the floor. Before laying parquet, 2-3 mm thick PE-Foil should be laid on the floor to provide maximum protection against the problems caused by the floor. The pieces of PE-Foil should be overlapped by 20 cm on each other and bonded to each other with an adhesive tape.

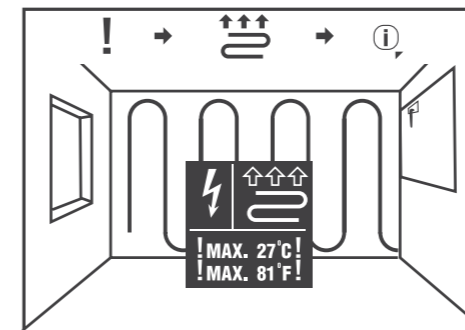


5.4. Checking the laminate flooring before installation;

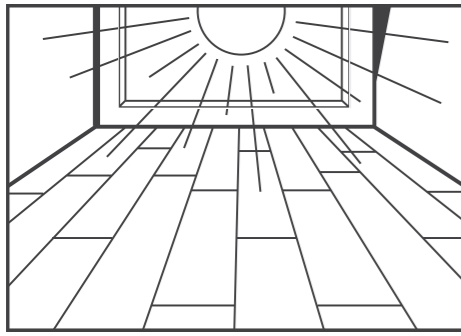
Laminate parquets to be laid should be checked manually before laying process. Parquets with visible problems such as breaks, cracks, stains and colour differences should be kept separate from the flooring and we should be informed.



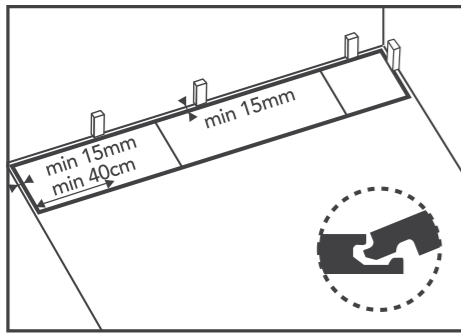
5.5. The panels should not be fixed to anywhere and the movement of the panels should not be restricted. Panels should not be glued to the floor.



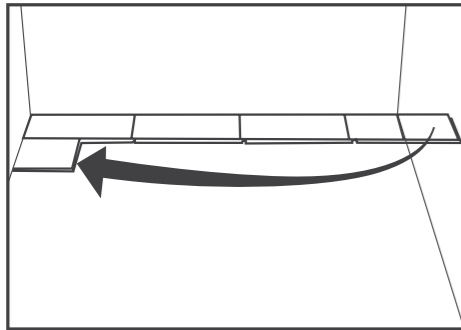
5.6. Underfloor Heating; In floors with underfloor heating, heating should be provided with water. Electric heating is not recommended. A homogeneous heating should be provided on the floor to be heated and the heat should not be allowed to condense at certain points. The ideal surface temperature is 25°C, the surface temperature should not exceed 28°C. After the first installation, the temperature should be increased gradually, and the heater water temperature should not exceed 60°C. The ideal water temperature is between 40-50°C. In underfloor heating systems, cement screed moisture should not exceed 1.8% absolute humidity. Necessary measurements should be made before installation, floors above maximum humidity should be made suitable before installation either by underfloor heating or ventilation.



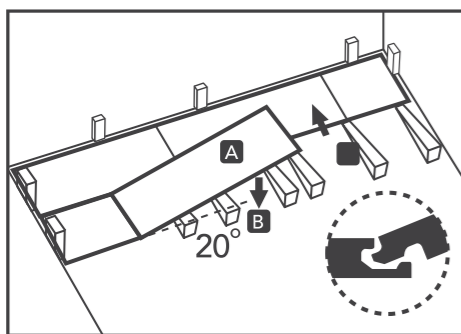
5.7. **Laying:** During the installation of the panels, colour and pattern transitions should be taken into consideration, packages with the same batch number should be installed in the same environment. Panels should be installed parallel to the main light source. In this way, the maximum quality desired in terms of visual quality can be achieved.



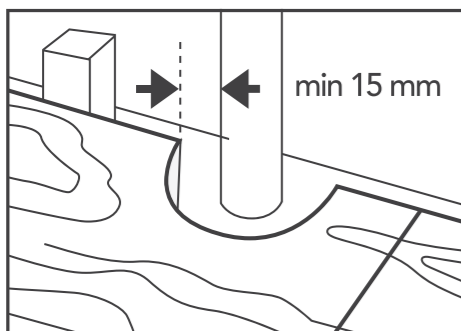
5.8. 15 mm space should be left between the walls and parquet. The movement of the panels should be allowed. All factors that prevent the movement of the panels should be removed and in the big rooms, the space between the parquet joining joint should be left after 8 m.



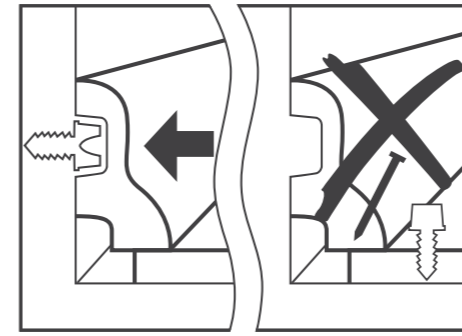
5.9. When laying parquets, start from the corner of the room and start laying by leaving an expansion gap (15mm) with short and long male edges of the parquet on the wall side. The second panel is placed on the short edge at the level of the first panel and the profiles are joined. It is ensured that the parquet is firmly seated by using a tapping wedge and hammer. Direct contact with the hammer should not be applied to the parquet. In this way, the same process is continued until the other wall is reached. It should be made sure the order is correct. When placing the last panel, it will be necessary to shorten the length of the parquet by measuring the distance between the wall and the expansion gap. For this purpose, when using a rotary saw or hand saw, the decor side should be facing downwards during the cutting process. The cut is then carried out accordingly and the part is assembled to the row.



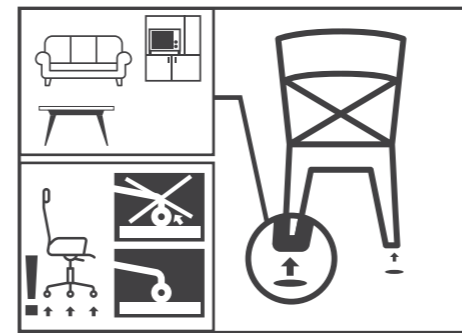
5.10. The second row starts with the half panel remaining in the first row. It must be made sure that the piece is not shorter than 40cm and longer than 90cm. The piece is fitted at a slight angle to the long female edge of the first-row panel and carefully pressed into the locking system. For the second panel of the second row, it is again seated at a certain angle on the long female edge of the first row and then shifted in this manner towards the short female edge of the first panel of the second row. When the short female and male edges of the panels are aligned, the second panel is pushed down. In order to ensure complete locking, the wedge is placed on the short tooth parallel to the edge and is struck with a hammer to ensure locking. The installation is completed by repeating the same steps for the other rows. Care is taken to ensure that no elevation differences and gaps between panels occur during assembly.



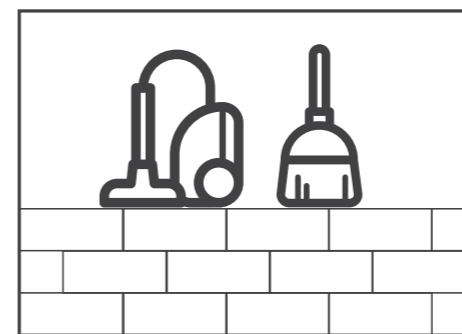
5.11. Care should be taken against certain factors that may occur during the flooring and restrict the movement of the panels. The space between the panels and the heating pipes should be about 15 mm, door frames should be shortened from the bottom for a few mm so that they will not restrict the movement of the panels.



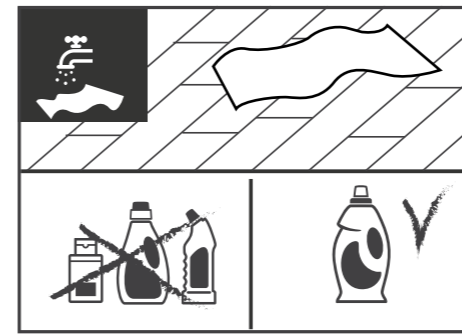
5.12. Finally, the apparatus which provides the space between the wall and the panels is removed and the parquet is ready to use after the installation of floor plinths. When installing the floor plinths, it should never be fixed to laminate flooring through nails or any other way to restrict the movement of the flooring.



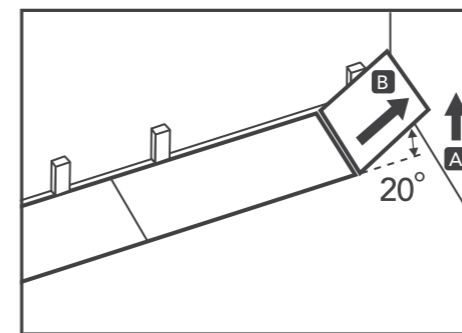
5.13. The precautions to be taken against some of the furniture and furniture in the environment where the parquet is laid are important in order to preserve the quality of the parquet for many years. If there is a fireplace in the environment, protective measures should be taken on the parquets in front of the fireplace. Rubber felts should be attached to the feet of furniture such as chairs and sofas, and the wheels of the furniture should be soft and light coloured. If necessary, a mat to protect the parquet should be placed on the parquet.



5.14. The effects of sunlight and heating sources should be avoided to the maximum extent. Long-term effects of such can lead to deformation of the parquet. Especially, in directly affected areas, swelling and physical degradation may occur over time. In underfloor heating systems, heat accumulation should be prevented, especially in the areas where there are furniture's covering the surface of the parquet, such as carpets and mats. Underlays should be placed under the pots and vases to prevent water leakage, and items such as shoes and slippers should not be placed on the parquet during the entrances to the house or place from outside. Otherwise, factors such as moisture and dirt that could contaminate under such items may damage the parquet. Liquid and hard particles and impurities spilled on the surface should be cleaned quickly and any possible damage to the surface should be prevented.



5.15. When cleaning surfaces, a suitable sweeper should be preferred so that dust will not damage the floor. Wiping dirty floors with a moistened cloth is enough for cleaning. Bleaching and strong chemicals should never be used.



5.16. In cases where the panels need to be replaced and dismantled, the panels should be disassembled in the longitudinal direction and in a way that does not damage the lock system.



6. CLEANING AND MAINTENANCE

- 6.1. Attaching rubber-like protective materials to the foot sections of tables, chairs and other furniture parts used on laminate flooring will prevent surface scratches that may occur on the parquet. In addition, transparent or different coloured rubber mats to be placed under the swivel chairs will ensure that the parquet is used for a long time without being damaged.
- 6.2. Thanks to the material used, the surfaces of your laminate flooring can be cleaned easily with cleaning equipments such as whisk brooms, vacuum cleaners etc. However, placing mats or other types of anti-dust barriers on the corridor side in front of the doors to prevent contamination and/or dusting of the parquet before cleaning will ensure that the parquets remain clean longer.
- 6.3. To clean the surfaces of your laminate flooring, you should clean it in the longitudinal direction of your flooring with a soft, non-abrasive cloth moistened with clean water. The cloth should not be too wet. Its enough to be slightly moistened. Otherwise, it may result in deformation of the parquet, and fluid-borne deformations are not covered by the warranty.
- 6.4. Particle-based cleaners, cleaning products containing acidic solvent chemicals, chemicals containing harmful substances such as alcohol and ammonia, and hard and dry cloths such as steel wool absolutely shouldn't be used.
- 6.5. For more intense contamination; use clean water by adding cleaning products or laminate flooring cleaners suitable for general use that do not contain harmful chemicals specified in 6.4. The surface must be dried afterwards. The use of soap as a cleaning product is not recommended as it may leave residue.
- 6.6. For longer use of your laminate flooring, it is recommended to use small felts and/or suitable apparatus for the legs of chairs, tables and other furniture parts that are frequently moved to prevent scratches and friction marks. For swivel chairs with wheels, it is important that the wheels are soft rubber (sold for hard floors).

6.7. The information contained in this manual does not exempt the purchaser, the user, the installer and/or the user from the obligation to check the compatibility of the materials with the intended use and installation purpose.

6.8. Points to Consider;

Use a mat large enough to prevent stones and other materials that may adhere to the heels of the shoes that may move in to the house and damage the floor.

Glass particles and materials which may demolish the floor surfaces must be removed immediately. It should be remembered that wiping or removing spilled liquids as quickly as possible will increase the bench life of Laminate Flooring. Car tires and rubber mats may cause discoloration on light and medium-dark coloured decors. Specific use of substances that may cause stains should be checked on the test piece beforehand, as they may cause discoloration.

7. UPDATE

The company may change this document at any time without having the responsibility to send the updated version to all original receivers. It is required to consult to the Yıldız Entegre Customer Services to check if the document at hand is updated.

8. WARRANTY

Yıldız Entegre Ağaç Sanayi ve Ticaret A.Ş. undertakes that all requirements for the Laminate Flooring product covered by the EN 13329+A1 Standard are fulfilled, and the products are warranted for the time specified in the Product Warranty which can be found in our website. However, any defects in the product arising from the use opposed to as stated in the user manual or faults irrelevant to the manufacturing process shall not be included to this Warranty the Warranty does not include additional expenditures and works such as de-installation or installation, transportation, travelling and storage. If the Laminate Flooring pattern which is requested to be changed is out of stock, the product shall be changed with the Laminate Flooring pattern of the client's choosing.

Yıldız Entegre Ağaç Sanayi ve Ticaret A.Ş. holds the rights to examine the products and authorize third parties over them.



Download the app now for real place experience and more.



YILDIZENTEGRE

www.yildizentegre.com |    /yildizentegre