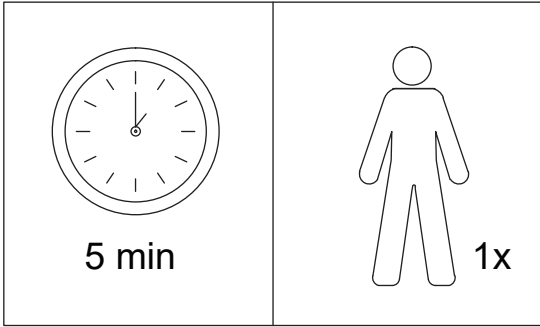
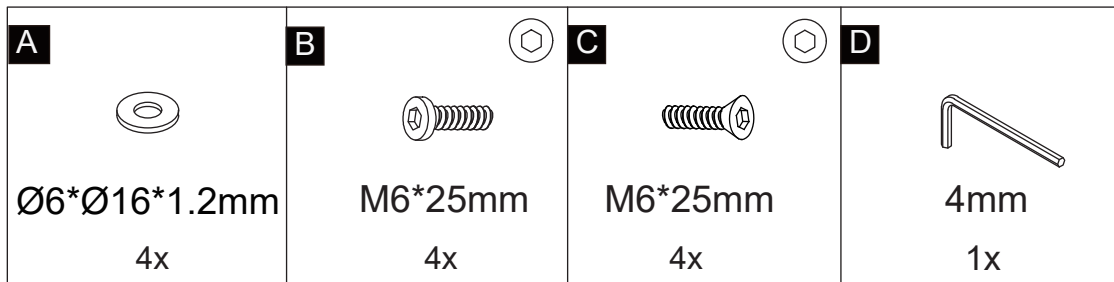


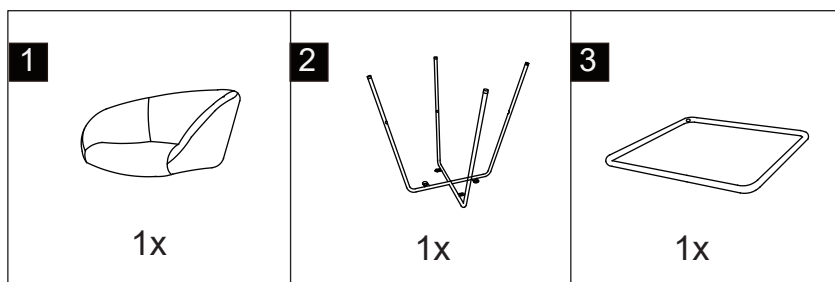
1



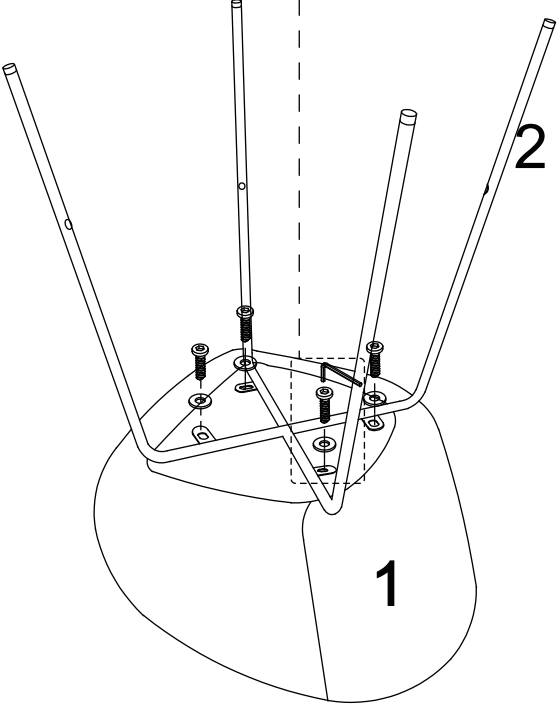
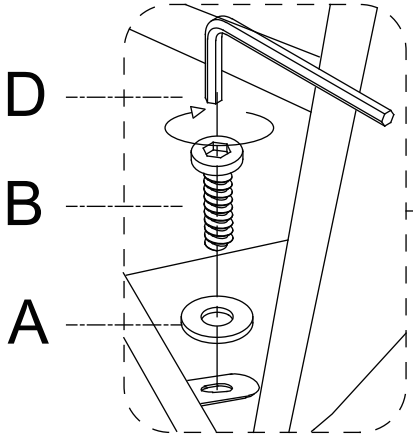
2a






2b

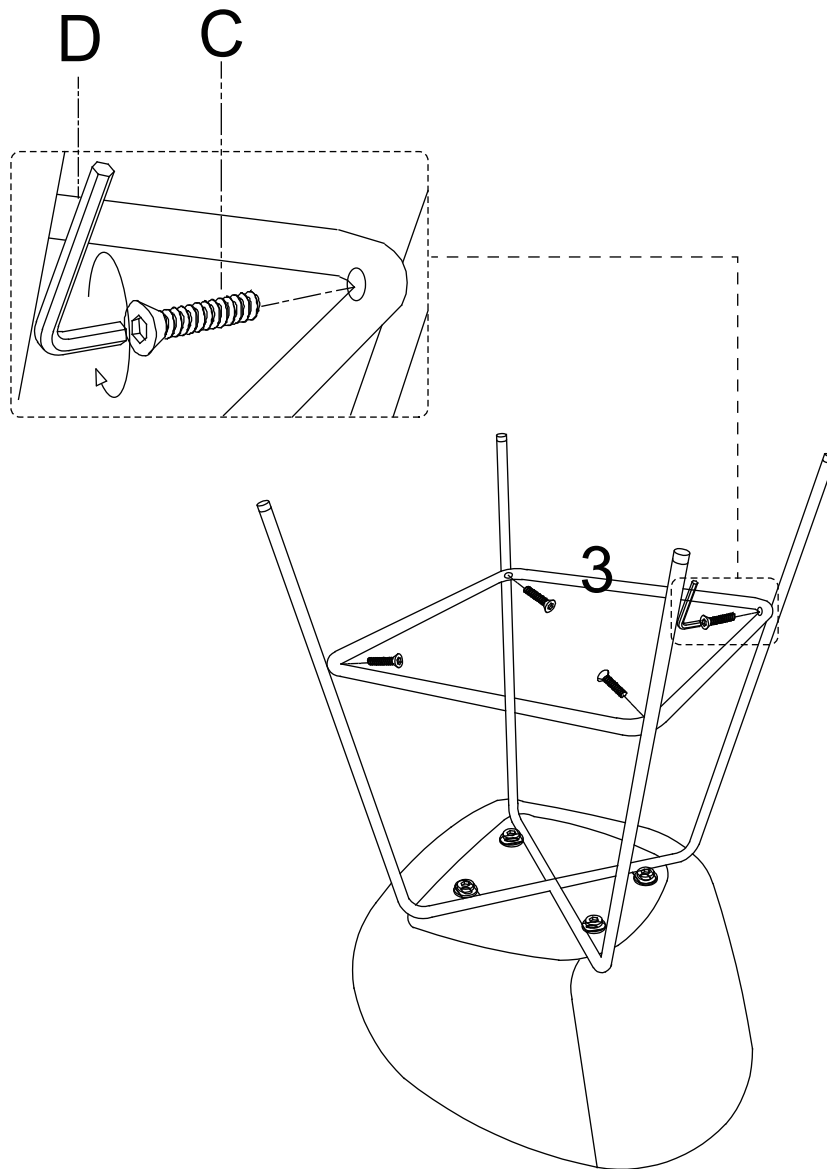


1



A  Ø6*Ø16*1.2mm 4x	B  M6*25mm 4x	D  4mm 1x
---	--	--

2



C



M6*25mm

4x



D



4mm

1x

3

