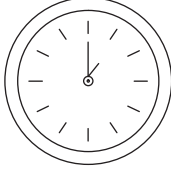









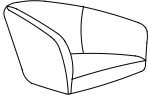


1

 <p>5 min</p>	 <p>1 x</p>
--	--

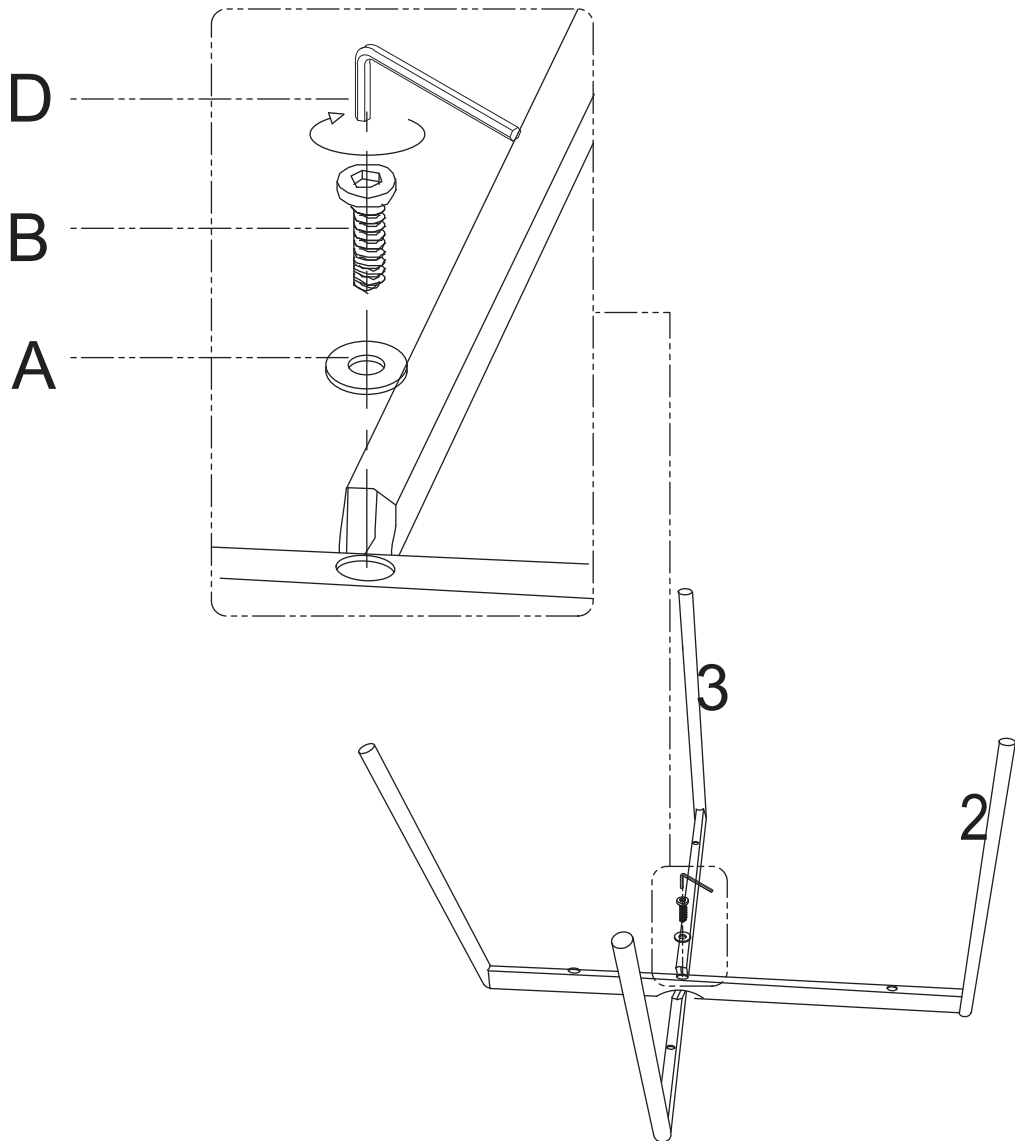
2a

<b>A</b>  Ø6*Ø16*1.2mm 5x	<b>B</b>   M6*35mm 1x	<b>C</b>   M6*45mm 4x	<b>D</b>  5mm 1x
---	---	---	--

2b

<b>1</b>  1x	<b>2</b>  1x	<b>3</b>  1x
---	---	---

# 1



**A**



Ø6\*Ø16\*1.2mm  
1x

**B**



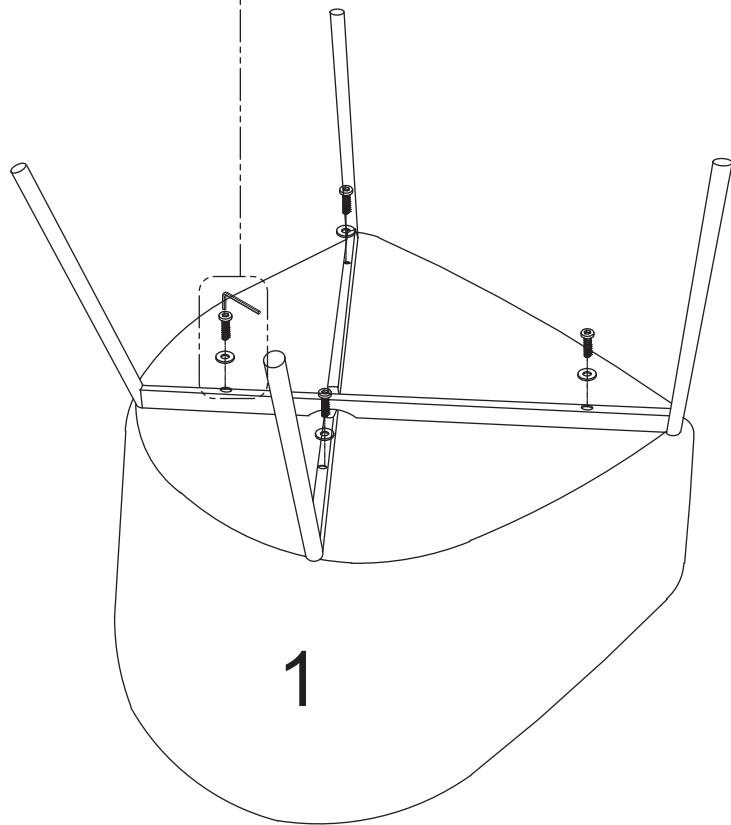
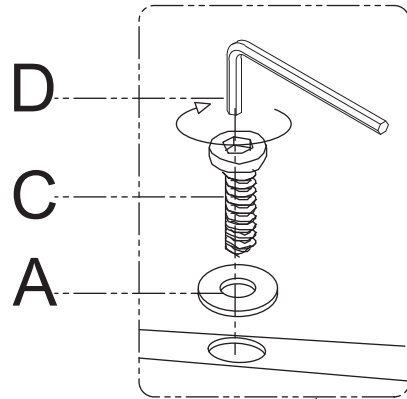
M6\*35mm  
1x

**D**




5mm  
1x

2




**A**




$\text{Ø}6 \times \text{Ø}16 \times 1.2\text{mm}$   
4x

**C**



M6\*45mm  
4x

**D**



5mm  
1x

3

