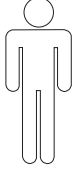
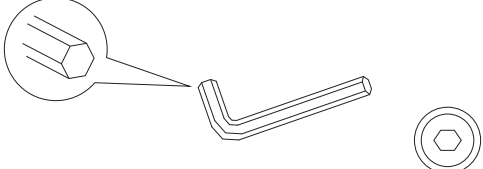
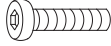
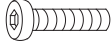


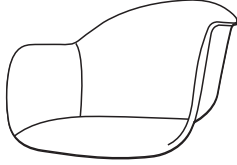
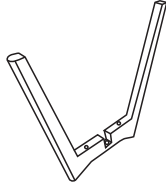
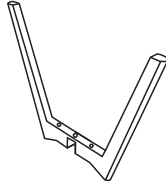
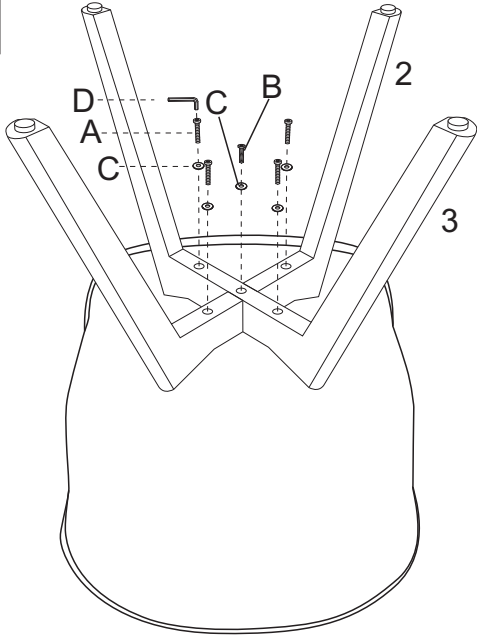
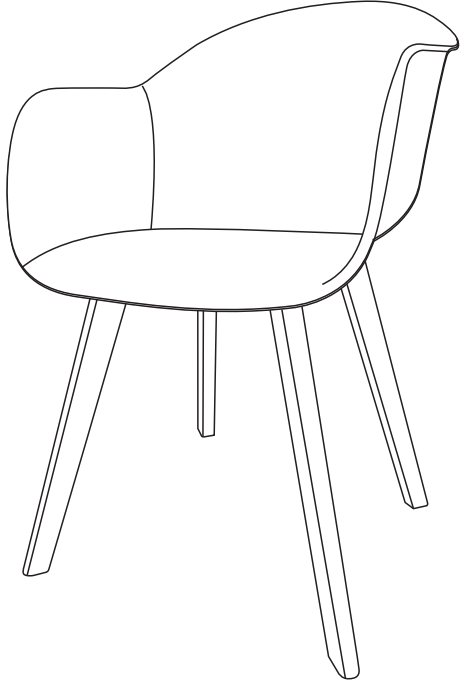




 <b>5 min</b>	 <b>1x</b>	
---	--	--

<b>A</b>  <b>M6x40mm</b> <b>4x</b>	<b>B</b>  <b>M6x45mm</b> <b>1x</b>	<b>C</b>  <b>M6</b> <b>5x</b>	<b>D</b>  <b>5#</b> <b>1x</b>
--	--	---	---

<b>1</b>  <b>1x</b>	<b>2</b>  <b>1x</b>	<b>3</b>  <b>1x</b>
---	---	---

<b>1</b>  <b>1</b>	<b>2</b> 		
<b>A</b>  <b>M6x45mm</b> <b>4x</b>	<b>B</b>  <b>M6x45mm</b> <b>1x</b>	<b>C</b>  <b>M6</b> <b>5x</b>	<b>D</b>  <b>5#</b> <b>1x</b>