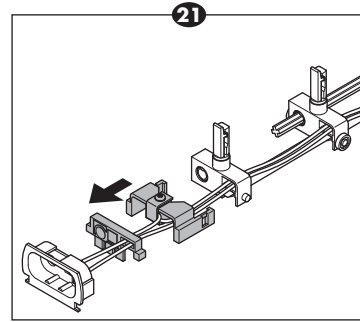
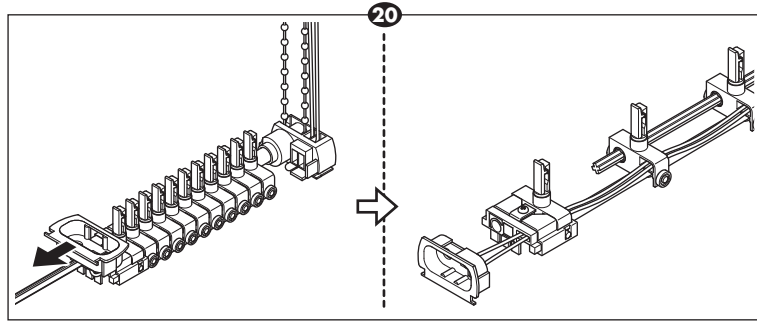


$z$	
0-8 cm	→ 27
> 8 cm	→ 20



$z$	$R \downarrow$
8-16 cm	1x
16-24 cm	2x
24-32 cm	3x
32-40 cm	4x
40-48 cm	5x
48-56 cm	6x

