

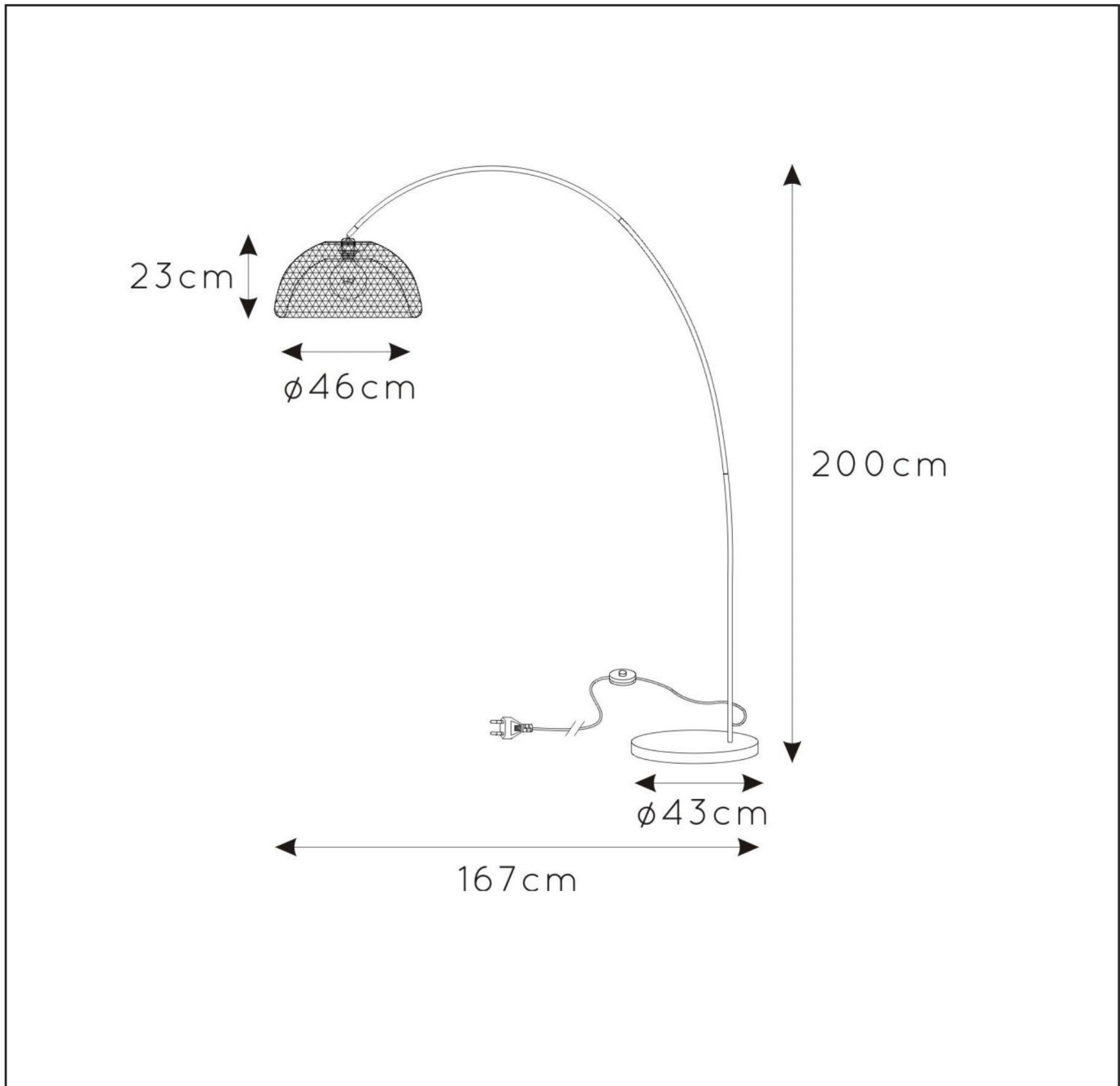
LUCIDE

TECHNICAL DRAWING & DIMENSIONS

MESH

item number : 30773/01/30

EAN code : 5411212302519



For more specifications, dimensions please visit

www.lucide.com