

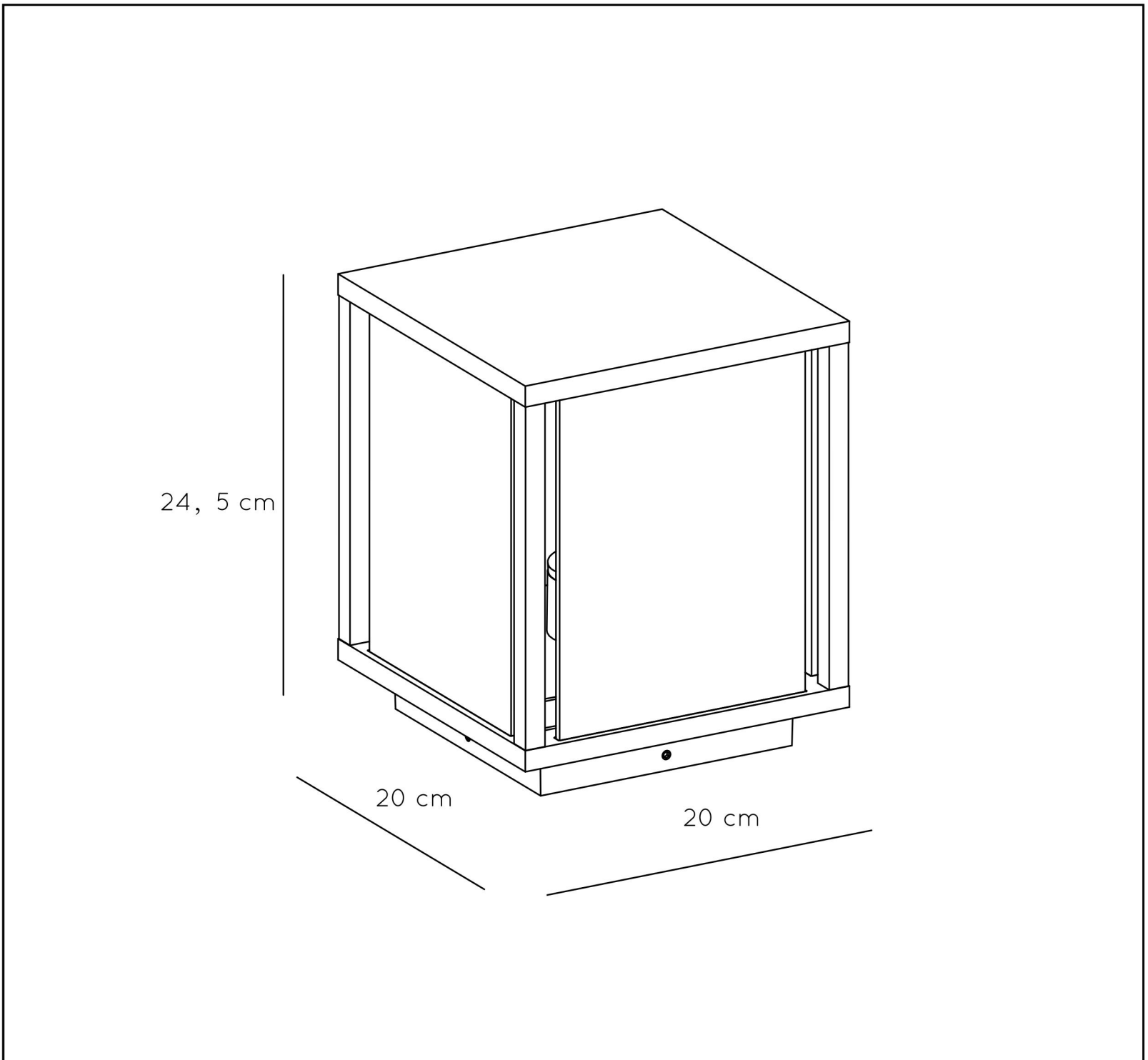
LUCIDE

TECHNICAL DRAWING & DIMENSIONS

CLAIRE

Item number : 27883/25/30

EAN code : 5411212271501



For more specifications, dimensions please visit

www.lucide.com