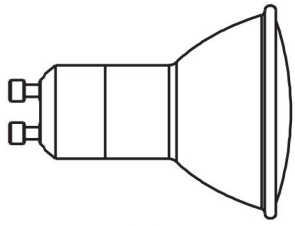


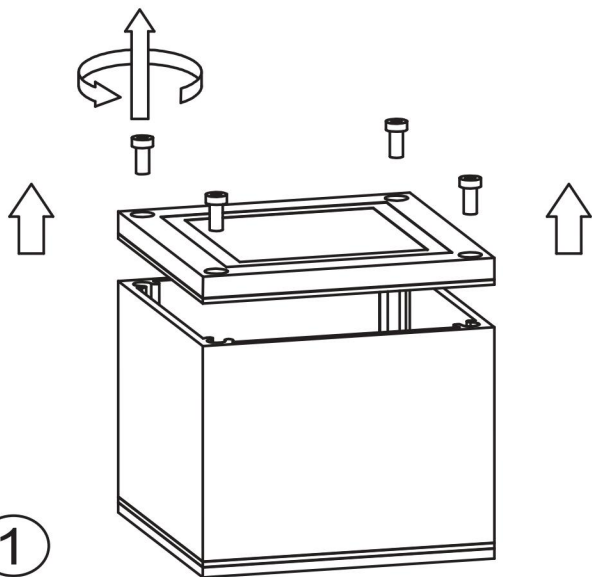
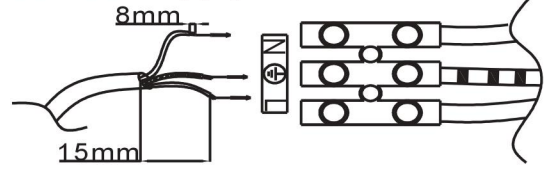
LUCIDE

INSTALLATION DRAWING SPECIFICATIONS

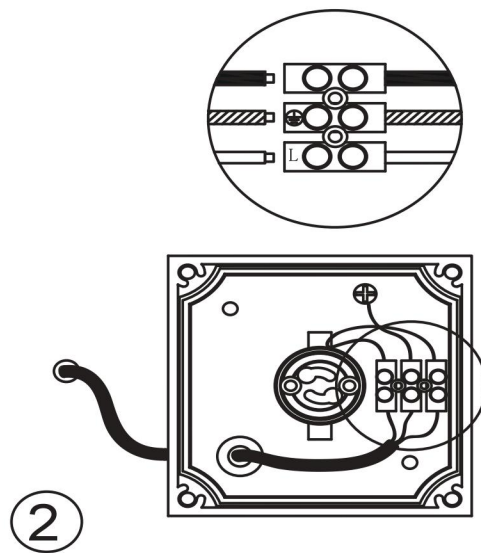


GU10

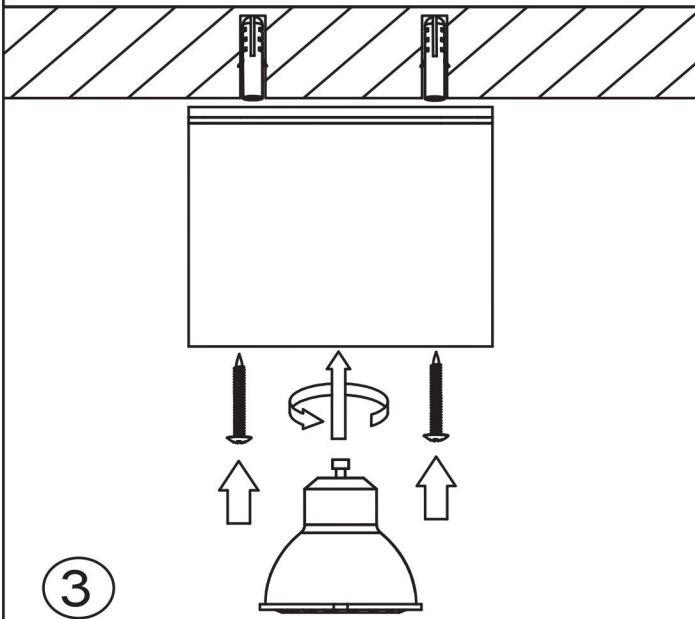
Electrical Supply



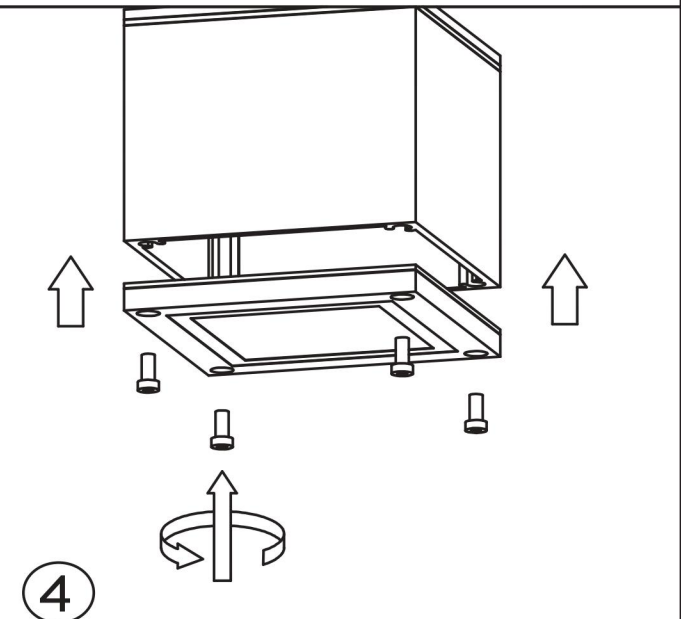
1



2



3



4