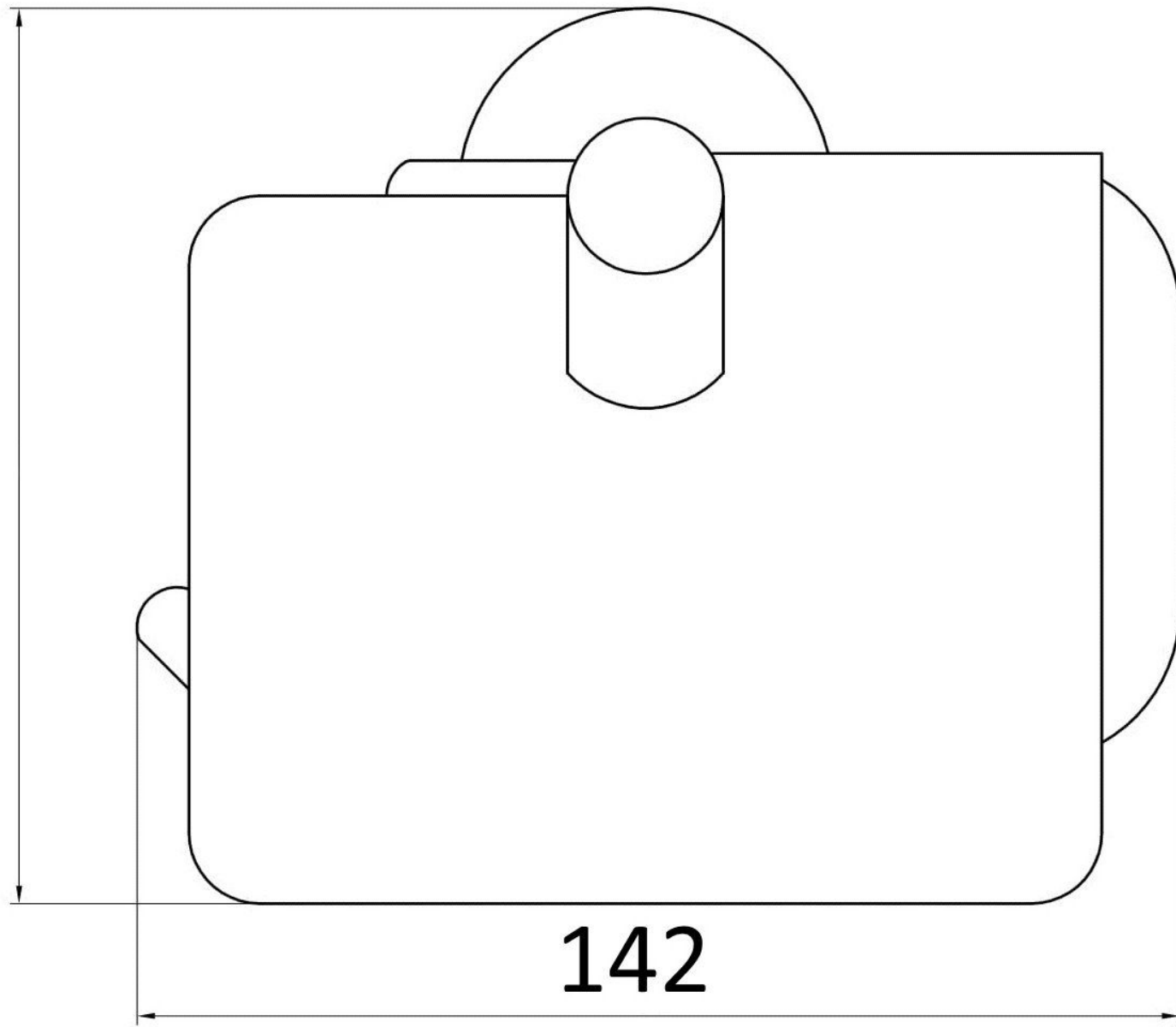


126.5



50

