



GB	ORIGINAL INSTRUCTIONS	10	UA	ОРИГІНАЛЬНА ІНСТРУКЦІЯ З ЕКСПЛУАТАЦІЇ	111
F	NOTICE ORIGINALE	15	GR	ΠΡΩΤΟΤΥΠΟ ΟΔΗΓΙΩΝ ΧΡΗΣΗΣ	118
D	ORIGINALBETRIEBSANLEITUNG	22	RO	INSTRUCȚIUNI DE FOLOSIRE ORIGINALE	125
NL	ORIGINELE GEBRUIKSAANWIJZING	29	BG	ОРИГИНАЛНО РЪКОВОДСТВО ЗА ЕКСПЛОАТАЦИЯ	131
S	BRUKSANVISNING I ORIGINAL	35	SK	PŔOVODNÝ NÁVOD NA POUŽITIE	139
DK	ORIGINAL BRUGSANVISNING	40	HR	ORIGINALNE UPUTE ZA RAD	145
N	ORIGINAL BRUKSANVISNING	46	SRB	ORIGINALNO UPUTSTVO ZA RAD	151
FIN	ALKUPERÄISET OHJEET	51	SLO	IZVIRNA NAVODILA	156
E	MANUAL ORIGINAL	57	EST	ALGUPÄRANE KASUTUSJUHEND	162
P	MANUAL ORIGINAL	64	LV	ORIĢINĀLĀ LIETOŠANAS PAMĀCĪBA	168
I	ISTRUZIONI ORIGINALI	70	LT	ORIGINALI INSTRUKCIJA	175
H	EREDETI HASZNÁLATI UTASÍTÁS	77	MK	ИЗБОРНО УПАТСТВО ЗА РАБОТА	181
CZ	PŔVODNÍM NÁVODEM K POUŽÍVÁNÍ	84	AL	UDHËZIMET ORIGJINALE	188
TR	ORİJİNAL İŞLETME TALİMATI	89	AR	دليل الاستعمال	203
PL	INSTRUKCJA ORYGINALNA	95	FA	راهنمای اصلي	200
RU	ПОДЛИННИК РУКОВОДСТВА ПО ЭКСПЛУАТАЦИИ	102			





2710

(GB)	EU Declaration of conformity Cordless screwdriver Article number	We declare under our sole responsibility that the stated products comply with all applicable provisions of the directives and regulations listed below and are in conformity with the following standards. Technical file at: ★
(F)	Déclaration de conformité UE Visseuse sans fil Numéro d'article	Nous déclarons sous notre propre responsabilité que les produits décrits sont en conformité avec les directives, règlements normatifs et normes énumérés ci-dessous. Dossier technique auprès de: ★
(D)	EU-Konformitätserklärung Akku-Schrauber Sachnummer	Wir erklären in alleiniger Verantwortung, dass die genannten Produkte allen einschlägigen Bestimmungen der nachfolgend aufgeführten Richtlinien und Verordnungen entsprechen und mit folgenden Normen übereinstimmen. Technische Unterlagen bei: ★
(NL)	EU-conformiteitsverklaring Oplaadbare schroefmachine Productnummer	Wij verklaren op eigen verantwoordelijkheid dat de genoemde producten voldoen aan alle desbetreffende bepalingen van de hierna genoemde richtlijnen en verordeningen en overeenstemmen met de volgende normen. Technisch dossier bij: ★
(S)	EU-konformitetsförklaring Sladdlös skruvdragare Produktnummer	Vi förklarar under eget ansvar att de nämnda produkterna uppfyller kraven i alla gällande bestämmelser i de nedan angivna direktiven och förordningarnas och att de stämmer överens med följande normer. Teknisk dokumentation: ★
(DK)	EU-overensstemmelseserklæring Akkuskruetrækkere Typenummer	Vi erklærer som eneansvarlige, at det beskrevne produkt er i overensstemmelse med alle gældende bestemmelser i følgende direktiver og forordninger og opfylder følgende standarder. Tekniske bilag ved: ★
(N)	EU-samsvarserklæring Oppladbare skrutrekkere Produktnummer	Vi erklærer under eneansvar at de nevnte produktene er i overensstemmelse med alle relevante bestemmelser i direktivene og forordningene nedenfor og med følgende standarder. Teknisk dokumentasjon hos: ★
(FIN)	EU-vaatimustenmukaisuusvakuutus Akkuruuvinvääntimet Tuotenumero	Vakuutamme täten, että mainitut tuotteet vastaavat kaikkia seuraavien direktiivien ja asetusten asiaankuuluvia vaatimuksia ja ovat seuraavien standardien vaatimusten mukaisia. Tekniset asiakirjat saatavana: ★



2710

(E)	Declaración de conformidad UE Destornilladora sin cable Número de artículo	Declaramos bajo nuestra exclusiva responsabilidad, que los productos nombrados cumplen con todas las disposiciones correspondientes de las directivas y los reglamentos mencionados a continuación y están en conformidad con las siguientes normas. Documentos técnicos de: ★
(P)	Declaração de conformidade CE Aparafusadora sem fio ero do produto	Declaramos sob nossa exclusiva responsabilidade que os produtos mencionados cumprem todas as disposições e os regulamentos indicados e estão em conformidade com as seguintes normas. Documentação técnica pertencente à: ★
(I)	Dichiarazione di conformità UE Avvitatore a batteria Codice prodotto	Dichiariamo sotto la nostra piena responsabilità che i prodotti indicati sono conformi a tutte le disposizioni pertinenti delle direttive e dei regolamenti elencati di seguito, nonché alle seguenti normative. Documentazione tecnica presso: ★
(H)	EU konformitási nyilatkozat Akkumulátoros rúdcsavazó Cikkszám	Egyedüli felelőséggel kijelentjük, hogy a megnevezett termékek megfelelnek az alábbiakban felsorolásra kerülő irányelvek és rendeletek valamennyi idevágó előírásainak és megfelelnek a következő szabványoknak. Műszaki dokumentumok megőrzési pontja:★
(CZ)	EU prohlášení o shodě Akumulátorový šroubovák Objednáací číslo	Prohlašujeme na výhradní zodpovědnost, že uvedený výrobek splňuje všechna příslušná ustanovení níže uvedených směrnic a nařízení a je v souladu s následujícími normami. Technické podklady u: ★
(TR)	AB Uygunluk beyanı Akülü vidalama makinesi Ürün kodu	Tek sorumlu olarak, tanımlanan ürünün aşağıdaki yönetmelik ve direktiflerin geçerli bütün hükümlerine ve aşağıdaki standartlara uygun olduğunu beyan ederiz. Teknik belgelerin bulunduğu yer: ★
(PL)	Deklaracja zgodności UE Akumulatorowa wkrętarka Numer katalogowy	Oświadczamy z pełną odpowiedzialnością, że niniejsze produkty odpowiadają wszystkim wymaganiom poniżej wyszczególnionych dyrektyw i rozporządzeń, oraz że są zgodne z następującymi normami. Dokumentacja techniczna: ★
(RU)	Заявление о соответствии ЕС Аккумуляторный шуруповерт Товарный номер	Мы заявляем под нашу единоличную ответственность, что названные продукты соответствуют всем действующим предписаниям нижеуказанных директив и распоряжений, а также нижеуказанных норм. Техническая документация хранится у: ★




2710

UA	Заява про відповідність ЄС	Мизаявляємо під нашу одноособову відповідальність, що названі вироби відповідають усім чинним положенням нищезначених директив і розпоряджень, а також нижчеозначеним нормам. Технічна документація зберігається у: ★
	Бездротова викрутка	
	Товарний номер	
GR	Δήλωση πιστότητας ΕΕ	Δηλώνουμε με αποκλειστική μας ευθύνη, ότι τα αναφερόμενα προϊόντα αντιστοιχούν σε όλες τις σχετικές διατάξεις των πιο κάτω αναφερόμενων οδηγιών και κανονισμών και ταυτίζονται με τα ακόλουθα πρότυπα. Τεχνικά έγγραφα στη: ★
	Επαναφορτιζόμενο οκατσαβίδο	
	Αριθμός ευρετηρίου	
RO	Declarație de conformitate UE	Declarăm pe proprie răspundere că produsele menționate corespund tuturor dispozițiilor relevante ale directivelor și reglementărilor enumerate în cele ce urmează și sunt în conformitate cu următoarele standarde. Documentație tehnică la: ★
	Mașină de înșurubat cu acumulatori	
	Număr de identificare	
BG	ЕС декларация за съответствие	С пълна отговорност ние декларираме, че посочените продукти отговарят на всички валидни изисквания на директивите и разпоредбите по-долу и съответства на следните стандарти. Техническа документация при: ★
	Акумулаторен винтоверт	
	Каталожен номер	
SK	EU vyhlásenie o zhode	Vyhlasujeme na výhradnú zodpovednosť, že uvedený výrobok spĺňa všetky príslušné ustanovenia nižšie uvedených smerníc a nariadení a je v súlade s nasledujúcimi normami. Technické podklady má spoločnosť: ★
	Akumulátorový skrutkovač	
	Vecné číslo	
HR	EU izjava o skladnosti	Pod punom odgovornošću izjavljujemo da navedeni proizvodi odgovaraju svim relevantnim odredbama direktiva i propisima navedenima u nastavku i da su skladni sa sljedećim normama. Tehnička dokumentacija se može dobiti kod: ★
	Akumulatorski odvijač	
	Kataloški broj	
SRB	EU-izjava o usaglašenosti	Na sopstvenu odgovornost izjavljujemo, da navedeni proizvodi odgovaraju svim dotičnim odredbama naknadno navedenih smernica u uredba i da su u skladu sa sledećim standardima. Tehnička dokumentacija kod: ★
	Akumulatorska uvrtač	
	Broj predmeta	
SLO	Izjava o skladnosti ES	Izjavljam pod izključno odgovornostjo, da je omenjen izdelek v skladu z vsemi relevantnimi določili direktiv in uredb ter ustreza naslednjim standardom. Tehnična dokumentacija pri: ★
	Akumulatorski vijačnik	
	Številka artikla	



2710

<p>(EST)</p>	<p>EL-vastavusdeklaratsioon</p> <p>Akukruvikeeraja</p> <p>Tootenumber</p>	<p>Kinnitame ainuvastutajatena, et nimetatud tooted vastavad järgnevalt loetletud direktiivide ja määruste kõikidele asjaomastele nõuetele ja on kooskõlas järgmiste normidega.</p> <p>Tehnilised dokumendid saadaval: ★</p>
<p>(LV)</p>	<p>Deklarācija par atbilstību EK standartiem</p> <p>Akumulatora skrūvgriezis</p> <p>Izstrādājuma numurs</p>	<p>Mēs ar pilnu atbildību paziņojam, ka šeit aplūkoti izstrādājumi atbilst visiem tālāk minētajās direktīvās un rīkojumos ietvertajām saistošajām nostādnēm, kā arī sekojošiem standartiem.</p> <p>Tehnisķā dokumentācija no: ★</p>
<p>(LT)</p>	<p>ES atitikties deklaracija</p> <p>Akumulatorinis suktuvas</p> <p>Gaminio numeris</p>	<p>Atsakingai pareiškiamo, kad išvardyti gaminiai atitinka visus privalomus žemiau nurodytų direktyvų ir reglamentų reikalavimus ir šiuos standartus.</p> <p>Techninė dokumentacija saugoma: ★</p>
<p>(MK)</p>	<p>EU-Изјава за сообразност</p> <p>Безжичен шрафцигер</p> <p>Број на артикл</p>	<p>Со целосна одговорност изјавуваме, дека опишаните производи се во согласност со сите релевантни одредби на следните регулативи и прописи и се во согласност со следните норми.</p> <p>Техничка документација кај: ★</p>
<p>(AL)</p>	<p>EU Deklarata e konformitetit</p> <p>Kaçavida me bateri</p> <p>Numri i nenit</p>	<p>Ne deklarojmë me përgjegjësinë tonë të vetme se produktet e paraqitura janë në përputhje me të gjitha dispozitat e zbatueshme të direktivave dhe rregulloreve të listuara më poshtë dhe janë në përputhje me standardet si më poshtë.</p> <p>Dosja teknike në: ★</p>
<p>2710</p> <p>SD1*2710**</p>		<p>2006/42/EC 2014/30/EU 2011/65/EU</p> <p>EN 60745-1:2009 + A11:2010 EN 60745-2-2:2010</p> <p>EN 55014-1:2006 + A1:2009 + A2:2011 EN 55014-2:2015</p> <p>EN 50581:2012</p> <p>SKIL ★ Skil BV Konijnenberg 62 4825 BD Breda The Netherlands</p> <p>Olaf Dijkgraaf Approval Manager</p>  <p>SKIL BV, Konijnenberg 62, 4825 BD Breda, NL 13.09.2018</p>

① 2710

4V Max
3,6
Volt

1,5 Ah
Li-Ion


0,38 kg


n₀
220/min


5 mm

2610Z07379 / 2610Z07383

150
mA

100
240
V~
50-60 Hz

5V

500 mA

3 hours

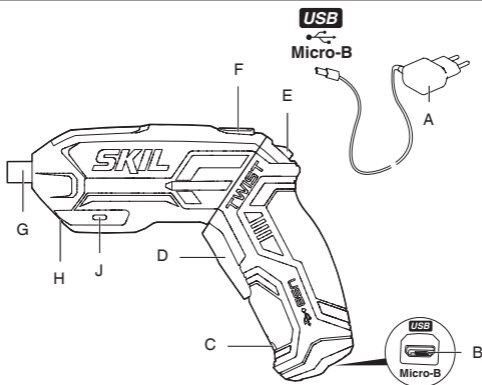


2610Z07379
0,055 kg


2610Z07383
0,065 kg


1x

②



③



④



⑤



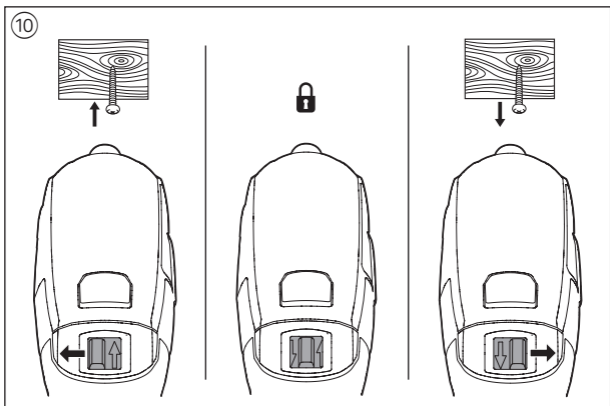
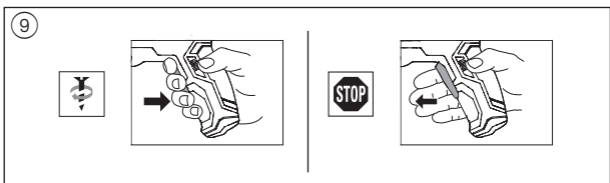
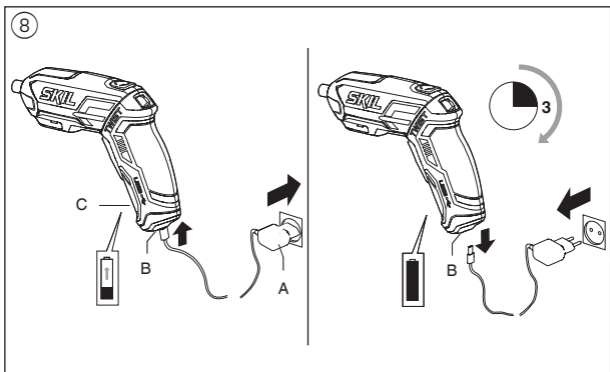
⑥

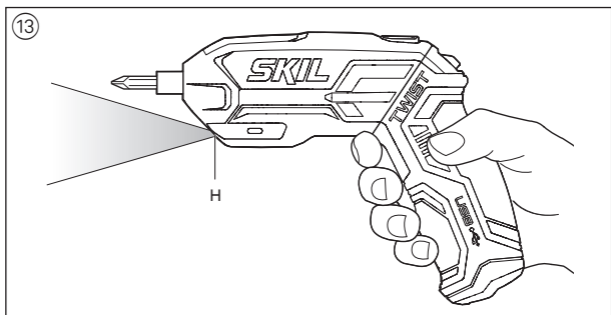
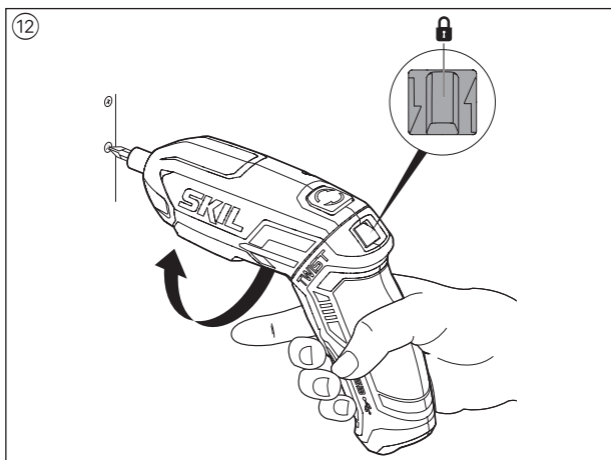
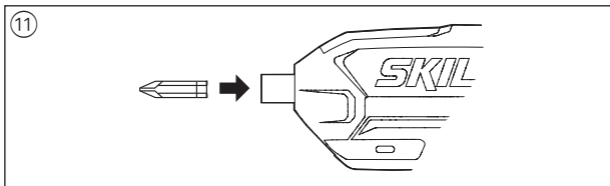
PIN1(-) PIN5(+)



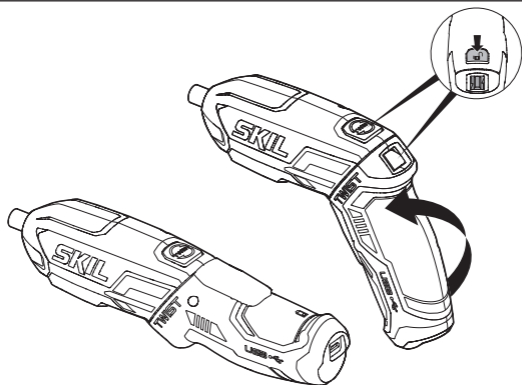
⑦







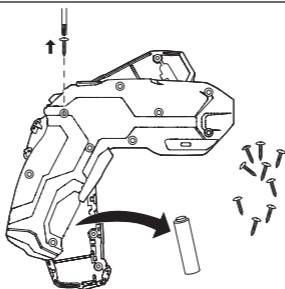
14



15



16



ACCESSORIES



WWW.SKIL.COM

Cordless screwdriver 2710

INTRODUCTION

- This tool with left/right rotation is intended for screwdriving and pre-drilling in wood
- This tool is not intended for professional use
- Read and save this instruction manual

③

TECHNICAL DATA ①

Max. torque for hard screwdriving application according to ISO 5393 : 7Nm

TOOL ELEMENTS ②

- A Charger
- B Charger contact
- C Battery level indicator
- D On/off switch
- E Switch for changing direction of rotation
- F Pivot unlock knob
- G Magnetic bitholder
- H LED-light
- J Bit storage

SAFETY

GENERAL POWER TOOL SAFETY WARNINGS

⚠ WARNING Read all safety warnings, instructions, illustrations and specifications provided with this power tool. Failure to follow all instructions listed below may result in electric shock, fire and/or serious injury.

Save all warnings and instructions for future reference.

The term "power tool" in the warnings refers to your mains-operated (corded) power tool or battery-operated (cordless) power tool.

1) WORK AREA SAFETY

- a) **Keep work area clean and well lit.** Cluttered or dark areas invite accidents.
- b) **Do not operate power tools in explosive atmospheres, such as in the presence of flammable liquids, gases or dust.** Power tools create sparks which may ignite the dust or fumes.
- c) **Keep children and bystanders away while operating a power tool.** Distractions can cause you to lose control.

2) ELECTRICAL SAFETY

- a) **Power tool plugs must match the outlet. Never modify the plug in any way. Do not use any adapter plugs with earthed (grounded) power tools.** Unmodified plugs and matching outlets will reduce risk of electric shock.
- b) **Avoid body contact with earthed or grounded surfaces such as pipes, radiators, ranges and refrigerators.** There is an increased risk of electric shock if your body is earthed or grounded.
- c) **Do not expose power tools to rain or wet conditions.** Water entering a power tool will increase the risk of electric shock.
- d) **Do not abuse the cord. Never use the cord for carrying, pulling or unplugging the power tool. Keep cord away from heat, oil, sharp edges or moving parts.** Damaged or entangled cords increase the risk of electric shock.
- e) **When operating a power tool outdoors, use an extension cord suitable for outdoor use.** Use of a cord suitable for outdoor use reduces the risk of electric shock.
- f) **If operating a power tool in a damp location is unavoidable, use a residual current device (RCD) protected supply.** Use of an RCD reduces the risk of electric shock.

3) PERSONAL SAFETY

- a) **Stay alert, watch what you are doing and use common sense when operating a power tool. Do not use a power tool while you are tired or under the influence of**

drugs, alcohol or medication. A moment of inattention while operating power tools may result in serious personal injury.

- b) **Use personal protective equipment. Always wear eye protection.** Protective equipment such as a dust mask, non-skid safety shoes, hard hat, or hearing protection used for appropriate conditions will reduce personal injuries.
 - c) **Prevent unintentional starting. Ensure the switch is in the off-position before connecting to power source and/or battery pack, picking up or carrying the tool.** Carrying power tools with your finger on the switch or energising power tools that have the switch on invites accidents.
 - d) **Remove any adjusting key or wrench before turning the power tool on.** A wrench or a key left attached to a rotating part of the power tool may result in personal injury.
 - e) **Do not overreach. Keep proper footing and balance at all times.** This enables better control of the power tool in unexpected situations.
 - f) **Dress properly. Do not wear loose clothing or jewellery. Keep your hair and clothing away from moving parts.** Loose clothes, jewellery or long hair can be caught in moving parts.
 - g) **If devices are provided for the connection of dust extraction and collection facilities, ensure these are connected and properly used.** Use of dust collection can reduce dust-related hazards.
 - h) **Do not let familiarity gained from frequent use of tools allow you to become complacent and ignore tool safety principles.** A careless action can cause severe injury within a fraction of a second.
- 4) POWER TOOL USE AND CARE**
- a) **Do not force the power tool. Use the correct power tool for your application.** The correct power tool will do the job better and safer at the rate for which it was designed.
 - b) **Do not use the power tool if the switch does not turn it on and**

off. Any power tool that cannot be controlled with the switch is dangerous and must be repaired.

- c) **Disconnect the plug from the power source and/or remove the battery pack, if detachable, from the power tool before making any adjustments, changing accessories, or storing power tools.** Such preventive safety measures reduce the risk of starting the power tool accidentally.
 - d) **Store idle power tools out of the reach of children and do not allow persons unfamiliar with the power tool or these instructions to operate the power tool.** Power tools are dangerous in the hands of untrained users.
 - e) **Maintain power tools and accessories. Check for misalignment or binding of moving parts, breakage of parts and any other condition that may affect the power tool's operation. If damaged, have the power tool repaired before use.** Many accidents are caused by poorly maintained power tools.
 - f) **Keep cutting tools sharp and clean.** Properly maintained cutting tools with sharp cutting edges are less likely to bind and are easier to control.
 - g) **Use the power tool, accessories and tool bits etc., in accordance with these instructions, taking into account the working conditions and the work to be performed.** Use of the power tool for operations different from those intended could result in a hazardous situation.
 - h) **Keep handles and grasping surfaces dry, clean and free from oil and grease.** Slippery handles and grasping surfaces do not allow for safe handling and control of the tool in unexpected situations.
- 5) BATTERY TOOL USE AND CARE**
- a) **Recharge only with the charger specified by the manufacturer.** A charger that is suitable for one type of battery pack may create a risk of fire when used with another battery pack.
 - b) **Use power tools only with specifically designated battery**

packs. Use of any other battery packs may create a risk of injury and fire.

- c) **When battery pack is not in use, keep it away from other metal objects like paper clips, coins, keys, nails, screws, or other small metal objects that can make a connection from one terminal to another.** Shorting the battery terminals together may cause burns or a fire.
- d) **Under abusive conditions, liquid may be ejected from the battery; avoid contact. If contact accidentally occurs, flush with water. If liquid contacts eyes, additionally seek medical help.** Liquid ejected from the battery may cause irritation or burns.
- e) **Do not use a battery pack or tool that is damaged or modified.** Damaged or modified batteries may exhibit unpredictable behaviour resulting in fire, explosion or risk of injury.
- f) **Do not expose a battery pack or tool to fire or excessive temperature.** Exposure to fire or temperature above 130°C may cause explosion.
- g) **Follow all charging instructions and do not charge the battery pack or tool outside the temperature range specified in the instructions.** Charging improperly or at temperatures outside the specified range may damage the battery and increase the risk of fire.
- 6) **SERVICE**
- a) **Have your power tool serviced by a qualified repair person using only identical replacement parts.** This will ensure that the safety of the power tool is maintained.
- b) **Never service damaged battery packs.** Service of battery packs should only be performed by the manufacturer or authorized service providers.

SAFETY INSTRUCTIONS FOR CORDLESS SCREWDRIVERS

GENERAL

- **Do not work materials containing asbestos** (asbestos is considered carcinogenic)
- Dust from material such as paint containing lead, some wood species, minerals and metal may be harmful (contact with or inhalation of the dust may cause allergic reactions and/or respiratory diseases to the operator or bystanders); **wear a dust mask and work with a dust extraction device when connectable**
- Certain kinds of dust are classified as carcinogenic (such as oak and beech dust) especially in conjunction with additives for wood conditioning; **wear a dust mask and work with a dust extraction device when connectable**
- Follow the dust-related national requirements for the materials you want to work with
- Do not expose tool/charger to rain
- Do not disassemble charger or tool
- Ensure that switch E ② is in the middle (locking) position before making any adjustments or changing accessories as well as when carrying or storing the tool

CHARGING/BATTERIES

- Only use SKIL charger 2610Z07379 (U.K. 2610Z07383) with this tool

• This charger can be used by children aged 8 and above and by persons who have physical, sensory or mental limitations or a lack of experience or knowledge

if a person responsible for their safety supervises them or has instructed them in the safe operation of the charger and they understand the associated dangers (otherwise, there is a danger of operating errors and injuries)

- **Supervise children** (this will ensure that children do not play with the charger)
- **Cleaning and user maintenance of the battery charger shall not be made by children without supervision**

- Do not use charger when damaged
- Permitted ambient temperature (tool/charger/battery):
 - when charging 4...40°C
 - during operation -20...+50°C
 - during storage -20...+50°C

ACCESSORIES

- SKIL can assure flawless functioning of the tool only when original accessories are used

BEFORE USE

- Always check that the supply voltage is the same as the voltage indicated on the nameplate of the charger

- Avoid damage that can be caused by screws, nails and other elements in your workpiece; remove them before you start working
- **Secure the workpiece** (a workpiece clamped with clamping devices or in a vice is held more securely than by hand)
- **Use suitable detectors to find hidden utility lines or call the local utility company for assistance** (contact with electric lines can lead to fire or electrical shock; damaging a gas line can result in an explosion; penetrating a water pipe will cause property damage or an electrical shock)

DURING USE

- **Hold the power tool by insulated gripping surfaces, when performing an operation where the cutting accessory or fastener may contact hidden wiring** (cutting accessory and fasteners contacting a "live" wire may make exposed metal parts of the power tool "live" and could give the operator an electric shock)
- In case of electrical or mechanical malfunction, immediately switch off the tool or unplug charger from power source

EXPLANATION OF SYMBOLS ON TOOL/CHARGER

- ③ Read the instruction manual before use
- ④ Only use the charger indoors
- ⑤ Double insulation (no earth wire required)
- ⑥ Incorrect polarity of the charger connection could cause a hazard (only charge the battery with the charger supplied)
- ⑦ Do not dispose of electric tools and batteries together with household waste material

USE

- Charging battery ⑧
! a battery that is new or has not been used for a longer period does not develop its full capacity until after approximately 5 charging/discharging cycles
 - connect charger A with both wall socket and contact B

- indicator C lights up GREEN indicating that the battery is being charged
- when the battery is fully charged, indicator C turns off (after approximately 3 hours)
- the lithium-ion battery can be charged at any time (interrupting the charging procedure does not damage the battery)
- the lithium-ion battery does not have to be empty before charging (no "memory-effect" as with nickel-cadmium batteries)
- the tool cannot be used during the charging procedure; it is not defective when inoperative during the charging procedure
- if you anticipate long periods of non-use for the tool, it is best to unplug the charger from its power source

- On/off ⑨
- Changing direction of rotation ⑩
 - when not properly set in left/right position, switch D ② cannot be activated

! change direction of rotation only when tool is at a complete standstill

- Changing bits ⑪
 - push bit to end position in bitholder G

! do not use bits with a damaged shank

- Automatic spindle-lock
Allows you to manually tighten or loosen screws, when necessary ⑫
- LED-light ⑬
LED-light H automatically lights on when activating switch D, even when switch E is in the middle (locking) position
- Bit storage J ⑭
Offers storage for 2 bits at the front
- Battery level indicator
When indicator C ② lights up RED while switch D ② is depressed half way, then the battery has less than 30% of its capacity and should be charged
- Two handle positions ⑭

- Battery protection
Switches off the tool automatically when the battery temperature gets too high (> +65°C)
the lithium-ion battery is nearly empty (to protect against deep discharge)

APPLICATION ADVICE

- Use the appropriate bits ⑮
! do not use damaged bits
! only use bits with hexagon shaft
- When turning in a screw at/near the cross cut end or an edge of wood, pre-drill a hole in order to avoid cracking of the wood
- For an optimal use of the tool a steady pressure on the screw is required, especially while removing
- When screwdriving in hard wood one should pre-drill a hole
- For more information see www.skil.com

MAINTENANCE / SERVICE

- This tool is not intended for professional use
- Keep tool and charger clean
! unplug charger from power source before cleaning
- If the tool/charger should fail despite the care taken in manufacturing and testing procedures, repair should be carried out by an after-sales service centre for SKIL power tools
 - send the tool or charger **undismantled** together with proof of purchase to your dealer or the nearest SKIL service station (addresses as well as the service diagram of the tool are listed on www.skil.com)
- Be aware that damage due to overload or improper handling of the tool will be excluded from the warranty (for the SKIL warranty conditions see www.skil.com or ask your dealer)

ENVIRONMENT

- **Do not dispose of electric tools, accessories and packaging together with household waste material** (only for EU countries)
 - in observance of European Directive 2012/19/EC on waste of electric and electronic equipment and its implementation in accordance with national law, electric tools that have reached the end of their life must be collected separately and returned to an environmentally compatible recycling facility
 - symbol ⑦ will remind you of this when the need for disposing occurs
- ! **remove the batteries before disposal of the tool**
- Removing/disposing of batteries ⑩
 - ! **only remove the batteries if they are completely empty**
 - protect battery terminals with heavy tape to prevent short-circuit
 - dispose of the batteries at an official collection point for batteries
- ! **batteries may explode when disposed of in fire, so do not burn battery for any reason**

NOISE / VIBRATION

- Measured in accordance with EN 60745 the sound pressure level of this tool is <70 dB(A) (uncertainty K = 3 dB) and the vibration <2.5 m/s² (triax vector sum; uncertainty K = 1.5 m/s²)
- The vibration emission level has been measured in accordance with a standardised test given in EN 60745; it may be used to compare one tool with another and as a preliminary assessment of exposure to vibration when using the tool for the applications mentioned
 - using the tool for different applications, or with different or poorly maintained accessories, may significantly **increase** the exposure level
 - the times when the tool is switched off or when it is running but not actually doing the job, may significantly **reduce** the exposure level

- ! **protect yourself against the effects of vibration by maintaining the tool and its accessories, keeping your hands warm, and organizing your work patterns**

F

Visseuse sans fil

2710

INTRODUCTION

- Cet outil avec rotation à droite/ gauche est conçu pour le vissage et le perçage préalable au bois
- Cet outil n'est pas conçu pour un usage professionnel
- Lisez et conservez ce manuel d'instruction ③

CARACTERISTIQUES TECHNIQUES ①

Couple max. vissage dur suivant ISO 5393 : 7Nm

ELEMENTS DE L'OUTIL ②

- A Chargeur
- B Prise du chargeur
- C Indicateur de niveau de charge de la batterie
- D Interrupteur marche/arrêt
- E Commutateur pour inverser le sens de rotation
- F Bouton de déverrouillage du pivot
- G Porte-embout magnétique
- H Voyant DEL
- J Boîte d'embouts

SECURITE

AVERTISSEMENTS DE SECURITE GENERAUX POUR L'OUTIL ELECTRIQUE

- ! **AVERTISSEMENT** Lisez tous les avertissements de sécurité, toutes les instructions, illustrations et caractéristiques fournies avec cet outil électrique. Le non-respect de toutes les instructions reprises ci-dessous peut provoquer un électrochoc,

un incendie et/ou des blessures graves.

Conservez tous les avertissements et toutes les instructions pour pouvoir s'y reporter ultérieurement.

Le terme "outil électrique" dans les avertissements se rapporte à des outils électriques raccordés au secteur (avec câble de raccordement) et à des outils électriques à batterie (sans câble de raccordement).

1) SECURITE DE LA ZONE DE TRAVAIL

- a) **Maintenez l'endroit de travail propre et bien éclairé.** Un lieu de travail en désordre ou mal éclairé augmente le risque d'accidents.
- b) **N'utilisez pas l'outil électrique dans un environnement présentant des risques d'explosion et où se trouvent des liquides, des gaz ou poussières inflammables.** Les outils électriques génèrent des étincelles risquant d'enflammer les poussières ou les vapeurs.
- c) **Tenez les enfants et autres personnes éloignés durant l'utilisation de l'outil électrique.** En cas d'inattention vous risquez de perdre le contrôle sur l'outil électrique.

2) SECURITE RELATIVE AU SYSTEME ELECTRIQUE

- a) **La fiche de secteur de l'outil électrique doit être appropriée à la prise de courant. Ne modifiez en aucun cas la fiche. N'utilisez pas de fiches d'adaptateur avec des outils électriques avec mise à la terre.** Les fiches non modifiées et les prises de courant appropriées réduisent le risque de choc électrique.
- b) **Évitez le contact physique avec des surfaces mises à la terre telles que tuyaux, radiateurs, fours et réfrigérateurs.** Il y a un risque élevé de choc électrique au cas où votre corps serait relié à la terre.
- c) **N'exposez pas l'outil électrique à la pluie ou à l'humidité.** La pénétration d'eau dans un outil électrique augmente le risque d'un choc électrique.

- d) **N'utilisez pas le câble à d'autres fins que celles prévues, n'utilisez pas le câble pour porter l'outil électrique ou pour l'accrocher ou encore pour le débrancher de la prise de courant. Maintenez le câble éloigné des sources de chaleur, des parties grasses, des bords tranchants ou des parties de l'outil électrique en rotation.** Un câble endommagé ou torsadé augmente le risque d'un choc électrique.
 - e) **Au cas où vous utiliseriez l'outil électrique à l'extérieur, utilisez une rallonge autorisée homologuée pour les applications extérieures.** L'utilisation d'une rallonge électrique homologuée pour les applications extérieures réduit le risque d'un choc électrique.
 - f) **Si l'usage d'un outil dans un emplacement humide est inévitable, utilisez un disjoncteur de fuite à la terre.** L'utilisation d'un disjoncteur de fuite à la terre réduit le risque de choc électrique.
- ## 3) SECURITE DES PERSONNES
- a) **Restez vigilant, surveillez ce que vous faites. Faites preuve de bon sens en utilisant l'outil électrique. N'utilisez pas l'outil électrique lorsque vous êtes fatigué ou après avoir consommé de l'alcool, des drogues ou avoir pris des médicaments.** Un moment d'inattention lors de l'utilisation de l'outil électrique peut entraîner de graves blessures sur les personnes.
 - b) **Portez des équipements de protection. Portez toujours des lunettes de protection.** Le fait de porter des équipements de protection personnels tels que masque anti-poussières, chaussures de sécurité antidérapantes, casque de protection ou protection acoustique suivant le travail à effectuer, réduit le risque de blessures.
 - c) **Évitez tout démarrage intempestif. S'assurez que l'interrupteur est en position arrêt avant de brancher l'outil au secteur et/ou au bloc de batteries, de le ramasser ou de le porter.** Porter les outils en

ayant le doigt sur l'interrupteur ou brancher des outils dont l'interrupteur est en position marche est source d'accidents.

- d) **Enlevez tout outil de réglage ou toute clé avant de mettre l'outil électrique en fonctionnement.** Une clé ou un outil se trouvant sur une partie en rotation peut causer des blessures.
- e) **Ne surestimez pas vos capacités. Veillez à garder toujours une position stable et équilibrée.** Ceci vous permet de mieux contrôler l'outil électrique dans des situations inattendues.
- f) **Portez des vêtements appropriés. Ne portez pas de vêtements amples ni de bijoux. Gardez les cheveux et les vêtements à distance des parties en mouvement.** Des vêtements amples, des bijoux ou des cheveux longs peuvent être happés par des pièces en mouvement.
- g) **Si des dispositifs servant à aspirer ou à recueillir les poussières doivent être utilisés, vérifiez que ceux-ci soient effectivement raccordés et qu'ils sont correctement utilisés.** L'utilisation des collecteurs de poussière réduit les dangers dus aux poussières.
- h) **Restez vigilant et ne pas négligez les principes de sécurité de l'outil sous prétexte que vous avez l'habitude de l'utiliser.** Une fraction de seconde d'inattention peut provoquer une blessure grave.

4) UTILISATION ET EMPLOI SOIGNEUX DE L'OUTIL ELECTRIQUE

- a) **Ne surchargez pas l'outil électrique. Utilisez l'outil électrique approprié au travail à effectuer.** Avec l'outil électrique approprié, vous travaillerez mieux et avec plus de sécurité à la vitesse pour laquelle il est prévu.
- b) **N'utilisez pas un outil électrique dont l'interrupteur est défectueux.** Un outil électrique qui ne peut plus être mis en ou hors fonctionnement est dangereux et doit être réparé.
- c) **Débranchez la fiche de la source**

d'alimentation et/ou enlevez le bloc de batteries, s'il est amovible, avant tout réglage, changement d'accessoires ou avant de ranger l'outil électrique. De telles mesures de sécurité préventives réduisent le risque de démarrage accidentel de l'outil électrique.

- d) **Gardez les outils électriques non utilisés hors de portée des enfants. Ne permettez pas l'utilisation de l'outil électrique à des personnes qui ne se sont pas familiarisées avec celui-ci ou qui n'ont pas lu ces instructions.** Les outils électriques sont dangereux lorsqu'ils sont utilisés par des personnes non initiées.
- e) **Observez la maintenance des outils électriques et des accessoires. Vérifiez que les parties en mouvement fonctionnent correctement et qu'elles ne soient pas coincées, et contrôlez si des parties sont cassées ou endommagées de telle sorte que le bon fonctionnement de l'outil électrique s'en trouve entravé. Faites réparer les parties endommagées avant d'utiliser l'outil électrique.** De nombreux accidents sont dus à des outils électriques mal entretenus.
- f) **Maintenez les outils de coupe aiguisés et propres.** Des outils soigneusement entretenus avec des bords tranchants bien aiguisés se coincent moins souvent et peuvent être guidés plus facilement.
- g) **Utilisez l'outil électrique, les accessoires, les outils à monter etc. conformément à ces instructions. Tenez compte également des conditions de travail et du travail à effectuer.** L'utilisation de l'outil électrique à d'autres fins que celles prévues peut entraîner des situations dangereuses.
- h) **Il faut que les poignées et les surfaces de préhension restent sèches, propres et dépourvues d'huiles et de graisses.** Des poignées et des surfaces de préhension glissantes rendent impossibles la manipulation et le

contrôle en toute sécurité de l'outil dans les situations inattendues.

5) UTILISATION ET EMPLOI SOIGNEUX DES APPAREILS SANS FIL

- a) **Ne chargez les accumulateurs que dans des chargeurs recommandés par le fabricant.** Un chargeur approprié à un type spécifique d'accumulateur peut engendrer un risque d'incendie lorsqu'il est utilisé avec d'autres accumulateurs.
- b) **Dans les outils électriques, n'utilisez que les accumulateurs spécialement prévus pour celui-ci.** L'utilisation de tout autre accumulateur peut entraîner des blessures et des risques d'incendie.
- c) **Tenez l'accumulateur non-utilisé à l'écart de toutes sortes d'objets métalliques tels qu'agrafes, pièces de monnaie, clés, clous, vis ou autres, étant donné qu'un pontage peut provoquer un court-circuit.** Un court-circuit entre les contacts d'accu peut provoquer des brûlures ou un incendie.
- d) **En cas d'utilisation abusive, du liquide peut sortir de l'accumulateur. Evitez tout contact avec ce liquide. En cas de contact par mégarde, rincez soigneusement avec de l'eau. Au cas où le liquide rentrerait dans les yeux, consultez en plus un médecin.** Le liquide qui sort de l'accumulateur peut entraîner des irritations de la peau ou causer des brûlures.
- e) **Ne pas utiliser un bloc de batteries ou un outil fonctionnant sur batteries qui a été endommagé ou modifié.** Les batteries endommagées ou modifiées peuvent avoir un comportement imprévisible provoquant un feu, une explosion ou un risque de blessure.
- f) **Ne pas exposer un bloc de batteries ou un outil fonctionnant sur batteries au feu ou à une température excessive.** Une exposition au feu ou à une température supérieure à 130°C peut provoquer une explosion.
- g) **Suivre toutes les instructions de**

charge et ne pas charger le bloc de batteries ou l'outil fonctionnant sur batteries hors de la plage de températures spécifiée dans les instructions. Un chargement incorrect ou à des températures hors de la plage spécifiée de températures peut endommager la batterie et augmenter le risque de feu.

6) SERVICE

- a) **Ne faites réparer votre outil électrique que par un personnel qualifié et seulement avec des pièces de rechange d'origine.** Ceci permet d'assurer la sécurité de l'outil électrique.
- b) **Ne jamais effectuer d'opération d'entretien sur des blocs de batteries endommagés.** Il convient que l'entretien des blocs de batteries ne soit effectué que par le fabricant ou les fournisseurs de service autorisés.

INSTRUCTIONS DE SECURITE POUR VISSEUSES SANS FIL

GENERALITES

- **Ne travaillez pas de matériaux contenant de l'amiante** (l'amiante est considérée comme étant cancérigène)
- La poussière de matériaux, tels que la peinture contenant du plomb, certaines espèces de bois, certains minéraux et différents métaux, peut être nocive (le contact avec la poussière ou son inhalation peut provoquer des réactions allergiques et/ou des maladies respiratoires chez l'opérateur ou des personnes se trouvant à proximité); **portez un masque antipoussières et travaillez avec un appareil de dépoussiérage lorsqu'il est possible d'en connecter un**
- Certains types de poussières sont classifiés comme étant cancérigènes (tels que la poussière de chêne ou de hêtre), en particulier en combinaison avec des additifs de traitement du bois; **portez un masque antipoussières et travaillez avec un appareil de dépoussiérage lorsqu'il est possible d'en connecter un**

- Suivez les directives nationales relatives au dépoussiérage pour les matériaux à travailler
- Ne jamais exposez l'outil/le chargeur à la pluie
- Ne démontez pas le chargeur ou l'outil
- Vérifiez que le commutateur E ② est en position moyen (de blocage) avant d'effectuer des réglages sur l'outil ou de changer des accessoires, ainsi qu'en transportant ou rangant l'outil

RECHARGE/BATTERIES

- Utilisez uniquement le chargeur SKIL 2610Z07379 avec cet outil
- **Ce chargeur peut être utilisé par les enfants (âgés d'au moins 8 ans) et par les personnes souffrant d'un handicap physique, sensoriel ou mental ou manquant d'expérience ou de connaissances, lorsque ceux-ci sont sous la surveillance d'une personne responsable de leur sécurité ou après avoir reçu des instructions sur la façon d'utiliser le**

chargeur en toute sécurité et après avoir bien compris les dangers inhérents à son utilisation

(sinon, il existe un risque de blessures et d'utilisation inappropriée)

- **Ne laissez pas les enfants sans surveillance** (veillez à ce que les enfants ne jouent pas avec le chargeur)
- **Les enfants ne doivent pas nettoyer le chargeur ou effectuer des travaux d'entretien sans surveillance**
- N'utilisez jamais un chargeur endommagé
- Plage de températures autorisées (outil/chargeur/batterie):
 - pendant la charge 4...40°C
 - pendant le fonctionnement -20...+50°C
 - pour le stockage -20...+50°C

ACCESSOIRES

- SKIL ne peut se porter garant du bon fonctionnement de cet outil que s'il a été utilisé avec les accessoires d'origine

AVANT L'USAGE

- Contrôlez toujours si la tension

secteur correspond à la tension indiquée sur la plaquette signalétique du chargeur

- Faites attention aux vis, clous ou autres éléments qui pourraient se trouver dans la pièce à travailler et qui risqueraient d'endommager très fortement votre outil; enlevez-les avant de commencer le travail
- **Fixez solidement la pièce à travailler** (une pièce fixée à l'aide de dispositifs de fixation est davantage assurée que si elle était tenue à la main)
- **Utilisez des détecteurs appropriés afin de localiser la présence de conduites électriques ou bien s'adresser à la société locale de distribution** (un contact avec des lignes électriques peut provoquer un incendie et une décharge électrique; le fait d'endommager une conduite de gaz peut entraîner une explosion; le fait d'endommager une conduite d'eau peut entraîner des dégâts matériels ou causer une décharge électrique)

PENDANT L'USAGE

- **Tenez l'outil par les surfaces de préhension isolées, lors de la réalisation d'une opération au cours de laquelle l'accessoire de coupe ou la vis peut entrer en contact avec un câblage non apparent** (le contact avec un fil sous tension peut également mettre sous tension les parties métalliques de l'outil électrique et provoquer un choc électrique sur l'opérateur)
- En cas d'anomalie électrique ou mécanique, coupez immédiatement l'outil ou débranchez le chargeur du secteur

EXPLICATION DES SYMBOLES SUR L'OUTIL/LE CHARGEUR

- ③ Veuillez lire le mode d'emploi avant d'utiliser l'outil
- ④ Utilisez le chargeur uniquement à l'intérieur
- ⑤ Double-isolation (ne nécessite pas de mise à la terre)
- ⑥ Une polarité incorrecte dans la connexion du chargeur peut entraîner un danger (charger uniquement la batterie avec le chargeur fourni)
- ⑦ Ne jetez pas les outils électriques et les piles dans les ordures ménagères

UTILISATION

- Chargement de la batterie ⑧
 - ! **une batterie neuve ou une batterie qui n'a pas été utilisée pendant une période assez longue, n'atteint sa pleine puissance qu'après environ 5 cycles de charge/décharge**
 - branchez le chargeur A sur une prise murale et sur la prise B
 - l'indicateur C s'allume VERT, indiquant que la batterie est en charge
 - lorsque la batterie est complètement chargée, l'indicateur C s'éteint (au bout d'environ 3 heures)
 - la batterie ion-lithium peut être chargée à tout moment (l'arrêt de la charge n'endommage pas la batterie)
 - la batterie ion-lithium ne doit pas nécessairement être vide avant que vous ne la rechargez (il n'y a pas d'"effet mémoire" comme avec les batteries nickel-cadmium)
 - pendant le processus de charge, il n'est pas possible d'utiliser l'outil; il n'est pas défectueux lorsqu'il ne fonctionne pas pendant le processus de charge
 - si vous prévoyez de ne pas utiliser l'outil pendant quelques temps, il serait préférable de débrancher le chargeur du secteur
- Marche/arrêt ⑨
- Inversion du sens de rotation ⑩
 - quand l'outil n'est pas réglé exactement sur la position gauche/droite, l'interrupteur D ② ne peut être mis en marche
 - ! **inverse uniquement le sens de rotation lorsque l'outil est à l'arrêt complet**
- Changement des embouts ⑪
 - poussez l'embout à fond dans le porte-embout G
 - ! **ne pas utiliser des embouts avec une queue endommagée**
- Blocage automatique de l'arbre
 - Vous permet de visser ou dévisser manuellement lorsque c'est nécessaire ⑫

- Voyant DEL ⁽¹³⁾
Le voyant DEL H s'allume automatiquement lorsque l'interrupteur est activé D, même lorsque l'interrupteur E est en position du milieu (verrouillage)
- Boîte d'embouts J ⁽²⁾
Permet de stocker 2 embouts à l'avant
- Indicateur de niveau de charge de la batterie
Si l'indicateur C ⁽²⁾ s'allume ROUGE, l'interrupteur D ⁽²⁾ étant enfoncé à moitié, c'est que la batterie a moins de 30% de sa capacité et qu'il doit être chargé
- Deux positions de la poignée ⁽¹⁴⁾
- Protection de la batterie
Coupe automatiquement l'outil lorsque la température de la batterie devient trop élevée (> +65°C)
la batterie lithium-ion est presque déchargée (pour empêcher qu'elle ne se décharge complètement)

CONSEILS D'UTILISATION

- Utilisez les embouts appropriés ⁽¹⁵⁾
! ne pas utiliser des embouts endommagés
! utilisez seulement des embouts avec queue hexagonale
- Quand vous devez visser une vis près d'une arête de bois ou à la fin d'une coupe transversale, il est préférable de faire un avant-trou afin d'éviter de faire craquer le bois
- Pour un usage optimal de l'outil une pression constante sur la vise est nécessaire, spécialement durant dévisser
- Quand vous devez visser une vis au bois dur, il est préférable de faire un avant-trou
- Pour plus d'informations, voir www.skil.com

ENTRETIEN / SERVICE APRES-VENTE

- Cet outil n'est pas conçu pour un usage professionnel
- Veillez à ce que votre outil et le chargeur soient toujours propres
! débranchez le chargeur du secteur avant de le nettoyer

- Si, malgré tous les soins apportés à la fabrication et au contrôle de l'outil/chargeur, celui-ci devait avoir un défaut, la réparation ne doit être confiée qu'à une station de service après-vente agréée pour outillage SKIL
 - retournez l'outil ou le chargeur **non démonté** au vendeur ou au centre de service après-vente SKIL le plus proche, en joignant la preuve d'achat (les adresses ainsi que la vue éclatée de l'outil figurent sur www.skil.com)
- Veuillez noter que tout dégât causé par une surcharge ou une mauvaise utilisation de l'outil ne sera pas couvert par la garantie (pour connaître les conditions de la garantie SKIL, surfez sur www.skil.com ou adressez-vous à votre revendeur)

ENVIRONNEMENT

- **Ne jetez pas les outils électriques, les accessoires et l'emballage dans les ordures ménagères** (pour les pays européens uniquement)
 - conformément à la directive européenne 2012/19/EG relative aux déchets d'équipements électriques ou électroniques, et à sa transposition dans la législation nationale, les outils électriques usés doivent être collectés séparément et faire l'objet d'un recyclage respectueux de l'environnement
 - le symbole ⁽⁷⁾ vous le rappellera au moment de la mise au rebut de l'outil
 - ! retirez les piles avant la mise au rebut de l'outil**
- Retrait/mise au rebut des piles ⁽¹⁶⁾
! retirez uniquement les piles lorsqu'elles sont entièrement déchargées
 - protégez les bornes des piles avec une bande épaisse pour empêcher tout court-circuit
 - déposez les piles dans un point de collecte officiel pour piles usagées
 - ! la batterie explosera si elle est jetée au feu - ne la brûlez en aucun cas**



BRUIT / VIBRATION

- Mesuré selon EN 60745 le niveau de la pression sonore de cet outil est <math><70\text{ dB(A)}</math> (incertitude $K = 3\text{ dB}$) et la vibration <math><2,5\text{ m/s}^2</math> (somme vectorielle des trois axes directionnels; incertitude $K = 1,5\text{ m/s}^2$)
 - Le niveau de vibrations émises a été mesuré conformément à l'essai normalisé de la norme EN 60745; il peut être utilisé pour comparer plusieurs outils et pour réaliser une évaluation préliminaire de l'exposition aux vibrations lors de l'utilisation de l'outil pour les applications mentionnées
 - l'utilisation de l'outil dans d'autres applications, ou avec des accessoires différents ou mal entretenus, peut considérablement **augmenter** le niveau d'exposition
 - la mise hors tension de l'outil et sa non-utilisation pendant qu'il est allumé peuvent considérablement **réduire** le niveau d'exposition
- ! protégez-vous contre les effets des vibrations par un entretien correct de l'outil et de ses accessoires, en gardant vos mains chaudes et en structurant vos schémas de travail**

D

Akku-Schrauber

2710

EINLEITUNG

- Dieses Werkzeug mit Rechts-/ Linkslauf ist bestimmt zum Schrauben und Vorbohren in Holz
- Dieses Werkzeug eignet sich nicht für den professionellen Einsatz
- Bitte diese Bedienungsanleitung sorgfältig lesen und aufbewahren ③

TECHNISCHE DATEN ①

Max. Drehmoment harter Schraubfall nach ISO 5393 : 7Nm

WERKZEUGKOMPONENTEN ②

- A Ladegerät
- B Kontakt Ladegerät
- C Akkuladeanzeige
- D Ein/Aus-Schalter
- E Schalter zum Umschalten der Drehrichtung
- F Schwenkbarer Entriegelungsknopf
- G Magnetischer Bithalter
- H LED-Lampe
- J Bit-Speicher

SICHERHEIT

ALLGEMEINE SICHERHEITSHINWEISE FÜR ELEKTROWERKZEUGE

⚠ WARNUNG Lesen Sie alle Sicherheitshinweise, Anweisungen, Abbildungen und technischen Daten dieses Elektrogeräts. Die Nichtbeachtung der nachfolgenden Anweisungen kann zu Stromschlägen, Bränden bzw. ernsthaften Verletzungen führen.

Bewahren Sie alle Sicherheitshinweise und Anweisungen für die Zukunft auf.

Der in den Sicherheitshinweisen verwendete Begriff "Elektrowerkzeug" bezieht sich auf netzbetriebene Elektrowerkzeuge (mit Netzkabel) und auf akkubetriebene Elektrowerkzeuge (ohne Netzkabel).

- 1) **ARBEITSPLATZSICHERHEIT**
 - a) **Halten Sie Ihren Arbeitsbereich sauber und gut beleuchtet.** Unordnung oder unbeleuchtete Arbeitsbereiche können zu Unfällen führen.
 - b) **Arbeiten Sie mit dem Elektrowerkzeug nicht in explosionsgefährdeter Umgebung, in der sich brennbare Flüssigkeiten, Gase oder Stäube befinden.** Elektrowerkzeuge erzeugen Funken, die den Staub oder

die Dämpfe entzünden können.

- c) **Halten Sie Kinder und andere Personen während der Benutzung des Elektrowerkzeuges fern.** Bei Ablenkung können Sie die Kontrolle über das Elektrowerkzeug verlieren.
- 2) **ELEKTRISCHE SICHERHEIT**
 - a) **Der Anschlussstecker des Elektrowerkzeuges muss in die Steckdose passen. Der Stecker darf in keiner Weise verändert werden. Verwenden Sie keine Adapterstecker gemeinsam mit schutzgeerdeten Elektrowerkzeugen.** Unveränderte Stecker und passende Steckdosen verringern das Risiko eines elektrischen Schlages.
 - b) **Vermeiden Sie Körperkontakt mit geerdeten Oberflächen, wie von Rohren, Heizungen, Herden und Kühlschränken.** Es besteht ein erhöhtes Risiko durch elektrischen Schlag, wenn Ihr Körper geerdet ist.
 - c) **Halten Sie das Elektrowerkzeug von Regen oder Nässe fern.** Das Eindringen von Wasser in ein Elektrogerät erhöht das Risiko eines elektrischen Schlages.
 - d) **Zweckentfremden Sie das Kabel nicht, um das Elektrowerkzeug zu tragen, aufzuhängen oder um den Stecker aus der Steckdose zu ziehen. Halten Sie das Kabel fern von Hitze, Öl, scharfen Kanten oder sich bewegenden Elektrowerkzeugteilen.** Beschädigte oder verwickelte Kabel erhöhen das Risiko eines elektrischen Schlages.
 - e) **Wenn Sie mit einem Elektrowerkzeug im Freien arbeiten, verwenden Sie nur Verlängerungskabel, die auch für den Außenbereich zugelassen sind.** Die Anwendung eines für den Außenbereich geeigneten Verlängerungskabels verringert das Risiko eines elektrischen Schlages.
 - f) **Wenn der Betrieb des Elektrowerkzeuges in feuchter Umgebung nicht vermeidbar ist, verwenden Sie einen Fehlerstromschutzschalter.** Der Einsatz eines

Fehlerstromschutzschalters vermindert das Risiko eines elektrischen Schlages.

- 3) **SICHERHEIT VON PERSONEN**
 - a) **Seien Sie aufmerksam, achten Sie darauf, was Sie tun, und gehen Sie mit Vernunft an die Arbeit mit einem Elektrowerkzeug. Benutzen Sie das Elektrowerkzeug nicht, wenn Sie müde sind oder unter dem Einfluss von Drogen, Alkohol oder Medikamenten stehen.** Ein Moment der Unachtsamkeit beim Gebrauch des Elektrowerkzeuges kann zu ernsthaften Verletzungen führen.
 - b) **Tragen Sie persönliche Schutzausrüstung und immer eine Schutzbrille.** Das Tragen persönlicher Schutzausrüstung, wie Staubmaske, rutschfeste Sicherheitsschuhe, Schutzhelm oder Gehörschutz, je nach Art und Einsatz des Elektrowerkzeuges, verringert das Risiko von Verletzungen.
 - c) **Vermeiden Sie eine unbeabsichtigte Inbetriebnahme. Vergewissern Sie sich, dass das Elektrowerkzeug ausgeschaltet ist, bevor Sie es an die Stromversorgung und/oder den Akku anschließen, es aufnehmen oder tragen.** Wenn Sie beim Tragen des Elektrowerkzeuges den Finger am Schalter haben oder das Elektrowerkzeug eingeschaltet an die Stromversorgung anschließen, kann dies zu Unfällen führen.
 - d) **Entfernen Sie Einstellwerkzeuge oder Schraubenschlüssel, bevor Sie das Elektrowerkzeug einschalten.** Ein Werkzeug oder Schlüssel, der sich in einem drehenden Elektrowerkzeugteil befindet, kann zu Verletzungen führen.
 - e) **Überschätzen Sie sich nicht. Sorgen Sie für einen sicheren Stand und halten Sie jederzeit das Gleichgewicht.** Dadurch können Sie das Elektrowerkzeug in unerwarteten Situationen besser kontrollieren.
 - f) **Tragen Sie geeignete Kleidung. Tragen Sie keine weite Kleidung oder Schmuck. Halten Sie Haare und Kleidung fern von sich**

bewegenden Teilen. Lockere Kleidung, Schmuck oder lange Haare können von sich bewegenden Teilen erfasst werden.

- g) **Wenn Staubabsaug- und -auffangeinrichtungen montiert werden können, vergewissern Sie sich, dass diese angeschlossen sind und richtig verwendet werden.** Verwendung einer Staubabsaugung verringert Gefährdungen durch Staub.

- h) **Wiegen Sie sich nicht in falscher Sicherheit und setzen Sie sich nicht über die Sicherheitsregeln für Elektrowerkzeuge hinweg, auch wenn Sie nach vielfachem Gebrauch mit dem Elektrowerkzeug vertraut sind.** Achtloses Handeln kann binnen Sekundenbruchteilen zu schweren Verletzungen führen.

4) SORGFÄLTIGER UMGANG UND GEBRAUCH VON ELEKTROWERKZEUGEN

- a) **Überlasten Sie das Elektrowerkzeug nicht. Verwenden Sie für Ihre Arbeit das dafür bestimmte Elektrowerkzeug.** Mit dem passenden Elektrowerkzeug arbeiten Sie besser und sicherer im angegebenen Leistungsbereich.
- b) **Benutzen Sie kein Elektrowerkzeug, dessen Schalter defekt ist.** Ein Elektrowerkzeug, das sich nicht mehr ein- oder ausschalten lässt, ist gefährlich und muss repariert werden.
- c) **Ziehen Sie den Stecker aus der Steckdose und/oder entfernen Sie einen abnehmbaren Akku, bevor Sie Geräteeinstellungen vornehmen, Zubehörteile wechseln oder das Elektrowerkzeug weglegen.** Diese Vorsichtsmaßnahme verhindert den unbeabsichtigten Start des Elektrowerkzeuges.
- d) **Bewahren Sie unbenutzte Elektrowerkzeuge außerhalb der Reichweite von Kindern auf. Lassen Sie Personen das Elektrowerkzeug nicht benutzen, die mit diesem nicht vertraut sind oder diese Anweisungen nicht gelesen haben.** Elektrowerkzeuge sind gefährlich, wenn Sie von

unerfahrenen Personen benutzt werden.

- e) **Pflegen Sie Elektrowerkzeuge und Zubehör mit Sorgfalt. Kontrollieren Sie, ob bewegliche Elektrowerkzeugeteile einwandfrei funktionieren und nicht klemmen, ob Teile gebrochen oder so beschädigt sind, dass die Funktion des Elektrowerkzeuges beeinträchtigt ist. Lassen Sie beschädigte Teile vor dem Einsatz des Elektrowerkzeuges reparieren.** Viele Unfälle haben ihre Ursache in schlecht gewarteten Elektrowerkzeugen.
- f) **Halten Sie Schneidwerkzeuge scharf und sauber.** Sorgfältig gepflegte Schneidwerkzeuge mit scharfen Schneidkanten verklemmen sich weniger und sind leichter zu führen.
- g) **Verwenden Sie Elektrowerkzeug, Zubehör, Einsatzwerkzeuge usw. entsprechend diesen Anweisungen. Berücksichtigen Sie dabei die Arbeitsbedingungen und die auszuführende Tätigkeit.** Der Gebrauch von Elektrowerkzeugen für andere als die vorgesehenen Anwendungen kann zu gefährlichen Situationen führen.
- h) **Halten Sie Griffe und Griffflächen trocken, sauber und frei von Öl und Fett.** Rutschige Griffe und Griffflächen erlauben keine sichere Bedienung und Kontrolle des Elektrowerkzeuges in unvorhergesehenen Situationen.
- #### **5) SORGFÄLTIGER UMGANG UND GEBRAUCH VON AKKUGERÄTEN**
- a) **Laden Sie die Akkus nur in Ladegeräten auf, die vom Hersteller empfohlen werden.** Für ein Ladegerät, das für eine bestimmte Art von Akkus geeignet ist, besteht Brandgefahr, wenn es mit anderen Akkus verwendet wird.
- b) **Verwenden Sie nur die dafür vorgesehenen Akkus in den Elektrowerkzeugen.** Der Gebrauch von anderen Akkus kann zu Verletzungen und Brandgefahr führen.
- c) **Halten Sie den nicht benutzten Akku fern von Büroklammern, Münzen, Schlüsseln, Nägeln,**

Schrauben oder anderen kleinen Metallgegenständen, die eine Überbrückung der Kontakte verursachen könnten.

Ein Kurzschluss zwischen den Akkukontakten kann Verbrennungen oder Feuer zur Folge haben.

- d) **Bei falscher Anwendung kann Flüssigkeit aus dem Akku austreten. Vermeiden Sie den Kontakt damit. Bei zufälligem Kontakt mit Wasser abspülen. Wenn die Flüssigkeit in die Augen kommt, nehmen Sie zusätzlich ärztliche Hilfe in Anspruch.**
Austretende Akkuflüssigkeit kann zu Hautreizungen oder Verbrennungen führen.
- e) **Benutzen Sie keinen beschädigten oder veränderten Akku.**
Beschädigte oder veränderte Akkus können sich unvorhersehbar verhalten und zu Feuer, Explosion oder Verletzungsgefahr führen.
- f) **Setzen Sie einen Akku keinem Feuer oder zu hohen Temperaturen aus.** Feuer oder Temperaturen über 130°C können eine Explosion hervorrufen.
- g) **Befolgen Sie alle Anweisungen zum Laden und laden Sie den Akku oder das Akkuwerkzeug niemals außerhalb des in der Betriebsanleitung angegebenen Temperaturbereichs.** Falsches Laden oder Laden außerhalb des zugelassenen Temperaturbereichs kann den Akku zerstören und die Brandgefahr erhöhen.
- 6) SERVICE**
- a) **Lassen Sie Ihr Elektrowerkzeug nur von qualifiziertem Fachpersonal und nur mit Original-Ersatzteilen reparieren.** Damit wird sichergestellt, dass die Sicherheit des Elektrowerkzeuges erhalten bleibt.
- b) **Warten Sie niemals beschädigte Akkus.** Sämtliche Wartung von Akkus sollte nur durch den Hersteller oder bevollmächtigte Kundendienststellen erfolgen.

SICHERHEITSHINWEISE FÜR AKKU-SCHRAUBER

ALLGEMEINES

- **Bearbeiten Sie kein asbesthaltiges Material** (Asbest gilt als krebserregend)
- Staub von Materialien wie Farbe, die Blei enthält, einigen Holzarten, Mineralien und Metall kann schädlich sein (Kontakt mit oder Einatmen des Staubs kann zu allergischen Reaktionen und/oder Atemwegskrankheiten beim Bediener oder Umstehenden führen); **tragen Sie eine Staubmaske und arbeiten Sie mit einem Staubabsaugungssystem, wenn ein solches angeschlossen werden kann**
- Bestimmte Arten von Staub sind als karzinogen klassifiziert (beispielsweise Eichen- und Buchenholzstaub), insbesondere in Verbindung mit Zusätzen für die Holzvorbehandlung; **tragen Sie eine Staubmaske und arbeiten Sie mit einem Staubabsaugungssystem, wenn ein solches angeschlossen werden kann**
- Beachten Sie die für Ihr verwendetes Verbrauchsmaterial gültigen nationalen Staubschutzvorgaben
- Setzen Sie das Werkzeug/Ladegerät niemals dem Regen aus
- Zerlegen Sie niemals das Ladegerät oder das Werkzeug
- Stellen Sie sicher dass Schalter E ② sich in der mittel- (Schluss-) Position befindet, bevor Sie Werkzeugeinstellungen vornehmen oder Zubehör wechseln, sowie beim Tragen oder Weglegen des Werkzeuges

AUFLADEN/BATTERIEN

- Nur das SKIL-Ladegerät 2610Z07379 für dieses Werkzeug verwenden
- **Dieses Ladegerät kann von Kindern ab 8 Jahren und Personen mit**

eingeschränkten physischen, sensorischen oder geistigen Fähigkeiten oder mangelnder Erfahrung und Wissen benutzt werden, wenn sie durch eine für ihre Sicherheit verantwortliche Person beaufsichtigt werden oder von dieser im sicheren Umgang mit dem Ladegerät eingewiesen worden sind und die damit verbundenen Gefahren verstehen

- **Beaufsichtigen Sie Kinder** (damit wird sichergestellt, dass Kinder nicht mit dem

Ladegerät spielen)

- **Die Reinigung und Wartung des Ladegerätes durch Kinder darf nicht ohne Aufsicht erfolgen**

- Beschädigte Ladegeräte nicht in Betrieb nehmen
- Erlaubte Umgebungstemperatur (Werkzeug/Ladegerät/Batterie):
 - beim Laden 4...40°C
 - beim Betrieb -20...+50°C
 - bei Lagerung -20...+50°

ZUBEHÖR

- SKIL kann nur dann die einwandfreie Funktion des Werkzeuges zusichern, wenn Original-Zubehör verwendet wird

VOR DER ANWENDUNG

- Stets nachprüfen, dass die Netzspannung mit der auf dem Typenschild des Ladegeräts angegebenen Spannung übereinstimmt
- Beschädigungen durch Schrauben, Nägel und ähnliches an Ihrem Werkstück melden; diese vor Arbeitsbeginn entfernen
- **Sichern Sie das Werkstück** (ein mit Spannvorrichtungen oder Schraubstock festgehaltenes Werkstück ist sicherer gehalten als mit der Hand)
- **Verwenden Sie geeignete Suchgeräte, um verborgene Versorgungsleitungen aufzuspüren, oder ziehen Sie die örtliche Versorgungsgesellschaft hinzu** (Kontakt mit Elektroleitungen kann zu Feuer und elektrischem Schlag führen; Beschädigung einer Gasleitung kann zur Explosion führen; Eindringen in eine Wasserleitung verursacht Sachbeschädigung oder kann einen elektrischen Schlag verursachen)

WÄHREND DER ANWENDUNG

- Halten Sie das Elektrowerkzeug an den isolierten Griffflächen, wenn Sie Arbeiten ausführen, bei denen das Einsatzwerkzeug oder die Schraube verborgene Stromleitungen treffen kann (der Kontakt mit einer spannungsführenden Leitung kann auch Metallteile des Elektrowerkzeuges unter Spannung setzen und zu einem elektrischen Schlag führen)
- Im Falle von atypischem Verhalten oder Fremdgeräuschen schalten Sie das Werkzeug sofort aus oder ziehen Sie den Netzstecker des Ladegeräts aus der Steckdose

ERKLÄRUNG DER SYMBOLE AUF DEM WERKZEUG/LADEGERÄT

- ③ Die Bedienungsanleitung vor dem Gebrauch lesen
- ④ Das Ladegerät nur in Innenräumen benutzen
- ⑤ Doppelte Isolierung (kein Erdleiter erforderlich)
- ⑥ Eine falsche Polung beim Ladegerätanschluss kann eine Gefährdung verursachen (die Batterie nur mit dem mitgelieferten Ladegerät aufladen)
- ⑦ Elektrowerkzeuge und Batterien nicht in den Hausmüll werfen

BEDIENUNG

- Aufladen des Akkus ⑧
 - ! eine neue oder längere Zeit nicht verwendete Batterie bringt erst nach ungefähr 5 Lade-/Entladezyklen seine volle Leistung
 - das Ladegerät A mit dem Stecker an die Steckdose anschließen B
 - die Anzeige C leuchtet GRÜN auf, wenn der Akku geladen wird
 - wenn der Akku vollständig aufgeladen ist, erlischt Anzeige C (nach ungefähr 3 Stunden)
 - der Lithium-Ionen-Akku kann jederzeit aufgeladen werden (eine Unterbrechung des Ladevorgangs schädigt nicht den Akku)
 - die Lithium-Ionen-Batterie braucht vor dem Laden nicht leer zu sein (kein "Memory-Effekt" wie bei

- Nickel-Kadmium-Batterien)
- das Werkzeug kann während des Ladevorgangs nicht benutzt werden; es ist nicht defekt, wenn es während des Ladevorgangs nicht funktioniert
- wenn Sie Ihr Werkzeug lange nicht verwenden, sollten Sie den Netzstecker des Ladegeräts aus der Steckdose ziehen

- Ein-/Aus-Schalten ⑨
- Umschalten der Drehrichtung ⑩
 - wenn die links/rechts Position nicht richtig einrastet, kann der Schalter D ⑫ nicht betätigt werden

! Drehrichtung nur dann umschalten, wenn das Werkzeug vollkommen stillsteht

- Wechseln von Bits ⑪
 - das Bit ganz in Bithalter G drücken
 - ! keine Bits mit beschädigtem Schaft benutzen
- Automatische Spindelarretierung Erlaubt das manuelle Anziehen oder Lösen von Schrauben, falls notwendig ⑫
- LED-Lampe ⑬ LED-Licht H leuchtet automatisch bei Betätigung des Schalters D, auch wenn sich der Schalter E in der Mittelstellung (Verriegelung) befindet
- Bit-Speicher J ⑭ Bietet Speicherplatz für 2 Bits an der Vorderseite
- Akkuladeanzeige Leuchtet die Anzeige C ⑫ bei halb gedrücktem Schalter D ⑫ ROT auf, hat der Akku weniger als 30% seiner Kapazität und sollte aufgeladen werden
- Zwei Griff-Positionen ⑮
- Batterieschutz Schaltet das Werkzeug automatisch aus, wenn die Akkutemperatur zu hoch ist (> +65°C) die Lithium-Ionen-Batterie ist fast leer (zum Schutz vor Tiefstentladung)

ANWENDUNGSHINWEISE

- Die entsprechenden Bits verwenden ⑮
 - ! keine beschädigten Bits verwenden
 - ! nur Sechskant-Bits verwenden

- Beim Eindrehen einer Schraube am Ende oder Kopfstück eines Holzes sollte ein Loch vorgebohrt werden um ein Spalten des Holzes zu vermeiden
- Für einen optimalen Gebrauch des Werkzeuges ist ein ständiger Druck auf die Schraube notwendig, besonders während des Ausschraubens
- Beim Eindrehen einer Schraube in Hartholz sollte ein Loch vorgebohrt werden
- Für weitere Informationen verweisen wir auf www.skil.com

WARTUNG / SERVICE

- Dieses Werkzeug eignet sich nicht für den professionellen Einsatz
- Halten Sie Ihr Werkzeug und Ladegerät sauber
! den Netzstecker des Ladegeräts aus der Steckdose ziehen, bevor Sie das Ladegerät säubern
- Sollte das Elektrowerkzeug/Ladegerät trotz sorgfältiger Herstellungs- und Prüfverfahren einmal ausfallen, ist die Reparatur von einer autorisierten Kundendienststelle für SKIL-Elektrowerkzeuge ausführen zu lassen
 - das Werkzeug oder Ladegerät **unzerlegt**, zusammen mit dem Kaufbeleg, an den Lieferer oder die nächste SKIL-Vertragswerkstätte senden (die Anschriftenlisten so wie die Ersatzteilzeichnung des Werkzeuges finden Sie unter www.skil.com)
- Beachten Sie, dass ein falscher oder unsachgemäßer Gebrauch des Werkzeugs zum Erlöschen der Garantie führt (die SKIL-Garantiebedingungen finden Sie unter www.skil.com oder fragen Sie Ihren Händler)

UMWELT

- **Elektrowerkzeuge, Zubehör und Verpackungen nicht in den Hausmüll werfen** (nur für EU-Länder)
 - gemäss Europäischer Richtlinie 2012/19/EG über Elektro- und Elektronik- Altgeräte und Umsetzung in nationales

Recht müssen nicht mehr gebrauchsfähige Elektrowerkzeuge getrennt gesammelt und einer umweltgerechten Wiederverwertung zugeführt werden

- hieran soll Sie Symbol ⑦ erinnern
- ! entfernen Sie vor der Entsorgung des Werkzeugs die Batterien**
- Entfernen/Entsorgen von Batterien ⑯
! nur vollständig leere Batterien entfernen
 - schützen Sie die Batterieenden mit einem schweren Klebeband, um Kriechströme zu vermeiden
 - geben Sie die Batterien bei einer offiziellen Sammelstelle für Batterien ab
- ! Batterien werden bei Kontakt mit Feuer explodieren, die Batterien daher niemals verbrennen**

GERÄUSCH / VIBRATION

- Gemessen gemäß EN 60745 beträgt der Schalldruckpegel dieses Gerätes <70 dB(A) (Unsicherheit K = 3 dB) und die Vibration <2,5 m/s² (Vektorsumme dreier Richtungen; Unsicherheit K = 1,5 m/s²)
- Die Vibrationsemissionsstufe wurde mit einem standardisierten Test gemäß EN 60745 gemessen; Sie kann verwendet werden, um ein Werkzeug mit einem anderen zu vergleichen und als vorläufige Beurteilung der Vibrationsexposition bei Verwendung des Werkzeugs für die angegebenen Anwendungszwecke
 - die Verwendung des Werkzeugs für andere Anwendungen oder mit anderem oder schlecht gewartetem Zubehör kann die Expositionsstufe erheblich **erhöhen**
 - Zeiten, zu denen das Werkzeug ausgeschaltet ist, oder wenn es läuft aber eigentlich nicht eingesetzt wird, können die Expositionsstufe erheblich **verringern**
- ! schützen Sie sich vor den Auswirkungen der Vibration durch Wartung des Werkzeugs und des Zubehörs, halten Sie Ihre Hände warm und organisieren Sie Ihren Arbeitsablauf**

Oplaadbare schroefmachine

2710

INTRODUCTIE

- Deze machine met links-/rechtsschakelaar is bestemd voor het in- en uitdraaien van schroeven en voorboren in hout
- Deze machine is niet bedoeld voor professioneel gebruik
- Lees en bewaar deze gebruiksaanwijzing ③

TECHNISCHE GEGEVENS ①

Max. draaimoment bij harde schroefverbinding volgens ISO 5393 : 7Nm

MACHINE-ELEMENTEN ②

- A Oplader
- B Contact lader
- C Batterijniveau-indicator
- D Aan/uit schakelaar
- E Knop voor omschakelen van draairichting
- F Spilontgrendelingsknop
- G Magnetische bithouder
- H LED-lampje
- J Opbergvak voor bits

VEILIGHEID

ALGEMENE VEILIGHEIDSWAARSCHUWINGEN VOOR ELEKTRISCHE GEREEDSCHAPPEN

⚠ WAARSCHUWING Lees alle veiligheidswaarschuwingen, instructies, afbeeldingen en specificaties die met dit elektrische gereedschap zijn meegeleverd. Het niet volgen van alle hieronder genoemde instructies kan elektrische schokken, brand en/of ernstig letsel tot gevolg hebben.

Bewaar alle waarschuwingen en voorschriften voor toekomstig gebruik.

Het in de waarschuwingen gebruikte begrip "elektrisch gereedschap" heeft betrekking op elektrische gereedschappen voor gebruik op het stroomnet (met netsnoer) en op elektrische gereedschappen voor gebruik met een accu (zonder netsnoer).

1) VEILIGHEID VAN DE WERKOMGEVING

- a) **Houd uw werkomgeving schoon en opgeruimd.** Een rommelige of onverlichte werkomgeving kan tot ongevallen leiden.
- b) **Werk met het gereedschap niet in een omgeving met explosiegevaar waarin zich brandbare vloeistoffen, gassen of stof bevinden.** Elektrische gereedschappen veroorzaken vonken die het stof of de dampen tot ontsteking kunnen brengen.
- c) **Houd kinderen en andere personen tijdens het gebruik van het elektrische gereedschap uit de buurt.** Wanneer u wordt afgeleid, kunt u de controle over het gereedschap verliezen.

2) ELEKTRISCHE VEILIGHEID

- a) **De aansluitstekker van het gereedschap moet in het stopcontact passen. De stekker mag in geen geval worden veranderd. Gebruik geen adapterstekkers in combinatie met geaarde gereedschappen.** Onveranderde stekkers en passende stopcontacten beperken het risico van een elektrische schok.
- b) **Voorkom aanraking van het lichaam met geaarde oppervlakken, bijvoorbeeld van buizen, verwarmingen, fornuizen en koelkasten.** Er bestaat een verhoogd risico door een elektrische schok wanneer uw lichaam geaard is.
- c) **Houd het gereedschap uit de buurt van regen en vocht.** Het binnendringen van water in het elektrische gereedschap vergroot het risico van een elektrische schok.
- d) **Gebruik de kabel niet voor een verkeerd doel, om het gereedschap te dragen of op te hangen of om de stekker uit het stopcontact te**

trekken. Houd de kabel uit de buurt van hitte, olie, scherpe randen en bewegende gereedschapsdelen. Beschadigde of in de war geraakte kabels vergroten het risico van een elektrische schok.

e) **Wanneer u buitenshuis met elektrisch gereedschap werkt, dient u alleen verlengkabels te gebruiken die voor gebruik buitenshuis zijn goedgekeurd.** Het gebruik van een voor gebruik buitenshuis geschikte verlengkabel beperkt het risico van een elektrische schok.

f) **Als het gebruik van het elektrische gereedschap in een vochtige omgeving onvermijdelijk is, dient u een aardlekschakelaar te gebruiken.** Het gebruik van een aardlekschakelaar vermindert het risico van een elektrische schok.

3) PERSOONLIJKE VEILIGHEID

a) **Wees alert, let goed op wat u doet en ga met verstand te werk bij het gebruik van het elektrische gereedschap. Gebruik het gereedschap niet wanneer u moebent of onder invloed staat van drugs, alcohol of medicijnen.** Een moment van onoplettendheid bij het gebruik van het gereedschap kan tot ernstige verwondingen leiden.

b) **Draag persoonlijke beschermende uitrusting en altijd een veiligheidsbril.** Het dragen van persoonlijke beschermende uitrusting zoals een stofmasker, slipvaste werkschoenen, een veiligheidshelm of gehoorbescherming, afhankelijk van de aard en het gebruik van het elektrische gereedschap, vermindert het risico van verwondingen.

c) **Voorkom per ongeluk inschakelen. Controleer dat het elektrische gereedschap uitgeschakeld is voordat u de stekker in het stopcontact steekt of de accu aansluit en voordat u het gereedschap oppakt of draagt.** Wanneer u bij het dragen van het elektrische gereedschap uw vinger aan de schakelaar hebt of wanneer u het gereedschap ingeschakeld op de stroomvoorziening aansluit, kan dit tot

ongevallen leiden.

d) **Verwijder instelgereedschappen of schroef sleutels voordat u het gereedschap inschakelt.** Een instelgereedschap of sleutel in een draaiend deel van het gereedschap kan tot verwondingen leiden.

e) **Probeer niet ver te reiken. Zorg ervoor dat u stevig staat en steeds in evenwicht blijft.** Daardoor kunt u het gereedschap in onverwachte situaties beter onder controle houden.

f) **Draag geschikte kleding. Draag geen loshangende kleding of sieraden. Houd haren en kleding uit de buurt van bewegende delen.** Loshangende kleding, sieraden en lange haren kunnen door bewegende delen worden meegenomen.

g) **Wanneer stofafzuigings- of stofopvang-voorzieningen kunnen worden gemonteerd, dient u zich ervan te verzekeren dat deze zijn aangesloten en juist worden gebruikt.** Het gebruik van een stofafzuiging beperkt het gevaar door stof.

h) **Ondanks het feit dat u eventueel heel goed vertrouwd bent met het gebruik van gereedschappen, moet u ervoor zorgen dat u niet nonchalant wordt en veiligheidsvoorschriften voor het gereedschap gaat negeren.** Een onoplettende handeling kan binnen een fractie van een seconde ernstig letsel veroorzaken.

4) GEBUIK EN ONDERHOUD VAN ELEKTRISCHE GEREEDSCHAPPEN

a) **Overbelast het gereedschap niet. Gebruik voor uw werkzaamheden het daarvoor bestemde elektrische gereedschap.** Met het passende elektrische gereedschap werkt u beter en veiliger binnen het aangegeven capaciteitsbereik.

b) **Gebruik geen elektrisch gereedschap waarvan de schakelaar defect is.** Elektrisch gereedschap dat niet meer kan worden in- of uitgeschakeld, is gevaarlijk en moet worden gerepareerd.

- c) **Trek de stekker uit het stopcontact en/of neem de accu (indien uitneembaar) uit het elektrische gereedschap voordat u het elektrische gereedschap instelt, accessoires wisselt of het elektrische gereedschap opbergt.** Deze voorzorgsmaatregel voorkomt onbedoeld starten van het elektrische gereedschap.
- d) **Bewaars niet-gebruikte elektrische gereedschappen buiten bereik van kinderen. Laat het gereedschap niet gebruiken door personen die er niet mee vertrouwd zijn en deze aanwijzingen niet hebben gelezen.** Elektrische gereedschappen zijn gevaarlijk wanneer deze door onervaren personen worden gebruikt.
- e) **Verzorg het gereedschap zorgvuldig. Controleer of bewegende delen van het gereedschap correct functioneren en niet vastklemmen en of onderdelen zodanig gebroken of beschadigd zijn dat de werking van het gereedschap nadelig wordt beïnvloed. Laat beschadigde delen repareren voordat u het gereedschap gebruikt.** Veel ongevallen hebben hun oorzaak in slecht onderhouden elektrische gereedschappen.
- f) **Houd snijdende inzetgereedschappen scherp en schoon.** Zorgvuldig onderhouden snijdende inzetgereedschappen met scherpe snijkanten klemmen minder snel vast en zijn gemakkelijker te geleiden.
- g) **Gebruik elektrische gereedschappen, toebehoren, inzetgereedschappen en dergelijke volgens deze aanwijzingen. Let daarbij op de arbeidsomstandigheden en de uit te voeren werkzaamheden.** Het gebruik van elektrische gereedschappen voor andere dan de voorziene toepassingen kan tot gevaarlijke situaties leiden.
- h) **Houd handgrepen en greepvlakken droog, schoon en vrij van olie en vet.** Gladde handgrepen en greepvlakken verhinderen dat het gereedschap in onverwachte situaties veilig kan worden gehanteerd en bediend.
- 5) GEBRUIK EN ONDERHOUD VAN ACCUGEREEDSCHAPPEN**
- a) **Laad accu's alleen op in opladers die door de fabrikant worden geadviseerd.** Voor een oplader die voor een bepaald type accu geschikt is, bestaat brandgevaar wanneer deze met andere accu's wordt gebruikt.
- b) **Gebruik alleen de daarvoor bedoelde accu's in de elektrische gereedschappen.** Het gebruik van andere accu's kan tot verwondingen en brandgevaar leiden.
- c) **Voorkom aanraking van de niet-gebruikte accu met paperclips, munten, sleutels, spijkers, schroeven en andere kleine metalen voorwerpen die overbrugging van de contacten kunnen veroorzaken.** Kortsluiting tussen de accucontacten kan brandwonden of brand tot gevolg hebben.
- d) **Bij verkeerd gebruik kan vloeistof uit de accu lekken. Voorkom contact. Spoel bij onvoorzien contact met water af. Wanneer de vloeistof in de ogen komt, dient u bovendien een arts te raadplegen.** Gelekte accuvloeistof kan tot huidirritaties en verbrandingen leiden.
- e) **Gebruik accu of gereedschap niet, als deze beschadigd of veranderd zijn.** Beschadigde of veranderde accu's kunnen onvoorspelbaar gedrag vertonen, waardoor een brand, explosie of het gevaar van letsel kan ontstaan.
- f) **Stel accu of gereedschap niet bloot aan vuur of overmatige temperaturen.** Blootstelling aan vuur of temperaturen boven 130°C kan een explosie veroorzaken.
- g) **Volg alle aanwijzingen voor het laden en laad de accu of het gereedschap niet buiten het temperatuurbereik dat in de aanwijzingen is vermeld.** Verkeerd laden of laden bij temperaturen buiten het vastgelegde bereik kan de accu beschadigen en het risico van brand vergroten.

6) SERVICE

- a) **Laat het gereedschap alleen repareren door gekwalificeerd en vakkundig personeel en alleen met originele vervangingsonderdelen.** Daarmee wordt gewaarborgd dat de veiligheid van het gereedschap in stand blijft.
- b) **Voer nooit servicewerkzaamheden aan beschadigde accu's uit.** Service van accu's dient uitsluitend te worden uitgevoerd door de fabrikant of erkende servicewerkplaatsen.

VEILIGHEIDSVOORSCHRIFTEN VOOR OPLAADBARE SCHROEVENDRAAIERS

ALGEMEEN

- **Bewerk geen asbesthoudend materiaal** (asbest geldt als kankerverwekkend)
- Stof van materiaal zoals loodhoudende verf, sommige houtsoorten, mineralen en metaal kunnen schadelijk zijn (contact met of inademing van de stof kan allergische reacties en/of ademhalingsziekten bij gebruiker of omstanders veroorzaken); **draag een stofmasker en werk met een stofopvang-voorziening als die kan worden aangesloten**
- Bepaalde soorten stof zijn geclassificeerd als kankerverwekkend (zoals stof van eiken en beuken), met name in combinatie met toevoegingsmiddelen voor houtverzorging; **draag een stofmasker en werk met een stofopvang-voorziening als die kan worden aangesloten**
- Neem voor de door u te bewerken materialen de nationale voorschriften aangaande stofopvang in acht
- Stel machine/oplader niet bloot aan regen
- Haal de oplader of de machine niet uit elkaar
- Zorg ervoor, dat knop E ② in de midden- (blokkeer-) positie staat, vóórdat u de machine instelt of accessoires verwisselt, en ook wanneer u de machine draagt of opbergt

OPLADEN/BATTERIJEN

- Gebruik voor deze machine uitsluitend de SKIL oplader 2610Z07379
- **Deze oplader kan door kinderen vanaf 8 jaar alsook door personen met beperkte fysieke, sensorische of geestelijke capaciteiten of ontbrekende ervaring en kennis gebruikt worden als deze onder toezicht staan van een voor hun veiligheid verantwoordelijke persoon of over het veilige gebruik van de oplader geïnformeerd werden en de hiermee gepaard gaande gevaren begrijpen** (anders bestaat er gevaar voor foute bediening en verwondingen)
- **Houd toezicht op kinderen** (daarmee wordt gewaarborgd

dat kinderen niet met de oplader spelen)

• De reiniging en het onderhoud van de oplader door kinderen mogen niet zonder toezicht plaatsvinden

- Gebruik de oplader niet wanneer deze beschadigd is
- Toegestane omgevingstemperatuur (machine/oplader/batterij):
 - bij het laden 4...40°C
 - bij het gebruik -20...+50°C
 - bij opslag -20...+50°C

ACCESSOIRES

- SKIL kan alleen een correcte werking van de machine garanderen, indien originele accessoires worden gebruikt

VÓÓR GEBRUIK

- Controleer altijd of het voltage, dat vermeld staat op het typeplaatje van de oplader, overeenkomt met de netspanning
- Voorkom schade, die kan ontstaan door schroeven, spijkers en andere voorwerpen in uw werkstuk; verwijder deze, voordat u aan een karwei begint
- **Zet het werkstuk vast** (een werkstuk, dat is vastgezet met klemmen of in een bankschroef, zit steviger vast dan wanneer het met de hand wordt vastgehouden)
- **Gebruik een geschikt detectieapparaat om verborgen stroom-, gas- of waterleidingen op te sporen of raadpleeg het plaatselijke energie- of waterleidingbedrijf** (contact met elektrische leidingen kan tot brand of een elektrische schok leiden; beschadiging van een gasleiding kan tot een explosie leiden; breuk van een waterleiding veroorzaakt materiële schade en kan tot een elektrische schok leiden)

TIJDENS GEBRUIK

- **Houd het elektrische gereedschap aan de geïsoleerde greepvlakken vast als u werkzaamheden uitvoert waarbij het inzetgereedschap of de schroef verborgen stroomleidingen kan raken** (contact met een onder spanning staande leiding kan ook metalen delen van het elektrische gereedschap onder spanning zetten en tot een elektrische schok leiden)
- In geval van elektrische of mechanische storing, de machine onmiddellijk uitschakelen of de oplader uit het stopcontact halen

UITLEG VAN SYMBOLEN OP MACHINE/OPLAADAPPARAAT

- ③ Lees de gebruiksaanwijzing vóór gebruik
- ④ Gebruik de oplader alleen binnenshuis
- ⑤ Dubbele isolatie (geen aarddraad nodig)
- ⑥ Aansluiting van de oplader met een onjuiste polariteit kan gevaarlijk zijn (laad de batterij uitsluitend op met de geleverde oplader)
- ⑦ Geef elektrisch gereedschap en batterijen niet met het huisvuil mee

GEBRUIK

- Opladen batterij ⑧
! een nieuwe of lang niet gebruikte batterij levert pas na ongeveer 5 oplaad-/ontlaadcycli zijn volledige capaciteit
 - sluit oplader aan A op zowel stopcontact als contact B
 - indicator C licht GROEN op om aan te geven dat de batterij wordt opgeladen
 - wanneer de batterij volledig is opgeladen, gaat indicator C uit (na ongeveer 3 uur)
 - de lithium-ion batterij kan op ieder moment worden opgeladen (onderbreken van de laadprocedure leidt niet tot schade aan de batterij)
 - de lithium-ionbatterij hoeft niet leeg te zijn voordat u deze kunt opladen (er is geen sprake van een geheugeneffect zoals bij nikkel-cadmiumbatterijen)
 - het gereedschap kan tijdens het opladen niet worden gebruikt; het is

niet defect wanneer het tijdens het opladen niet werkt

- als u denkt uw machine gedurende lange tijd niet te gebruiken, kunt u het best de oplader uit het stopcontact halen

- Aan/uit ⑨

- Omschakelen van draairichting ⑩

- als de omkeerschakelaar niet in de uiterste stand op links/rechts staat, kan schakelaar D ② niet ingedrukt worden

! schakel de draairichting alleen om als de machine volledig stilstaat

- Verwisselen van bits ⑪

- duw bit zo diep mogelijk in bithouder G

! gebruik geen bits met een beschadigde schacht

- Automatische asvergrendeling

Voor het met de hand los- of vastdraaien van schroeven, indien nodig ⑫

- LED-lampje ⑬

LED-lamp H gaat automatisch branden bij het activeren van schakelaar D, zelfs wanneer schakelaar E zich in de middelste (vergrendelde) stand bevindt

- Opbergvak voor bits J ⑭

Heeft ruimte voor 2 bits aan de voorzijde

- Batterijniveau-indicator

Als indicator C ② ROOD oplicht terwijl schakelaar D ② half is ingedrukt, dan heeft de batterij minder dan 30% van zijn capaciteit en moet deze worden opgeladen

- Twee handgreep-posities ⑮

- Batterijbescherming

Schakelt het apparaat automatisch uit wanneer de batterijtemperatuur te hoog oploopt (> +65°C)
de lithium-ionbatterij bijna leeg is (ter bescherming tegen diepe ontlading)

TOEPASSINGSADVIES

- Gebruik de juiste bits ⑮

**! gebruik geen beschadigde bits
! gebruik uitsluitend zeskant-bits**

- Altijd een gat voorboren bij het schroeven in/vlakbij de kopse- of zijkant van hout
- Voor een optimaal gebruik van uw machine is het nodig stevig op de schroef te drukken, met name bij uitdraaien
- Voor het indraaien van schroeven in hard hout dient een gat voorgeboord te worden
- Voor meer informatie zie www.skil.com

ONDERHOUD / SERVICE

- Deze machine is niet bedoeld voor professioneel gebruik
- Houd machine en oplader schoon
! haal de oplader uit het stopcontact voordat u deze schoonmaakt
- Mocht de machine/oplader ondanks zorgvuldige fabricage- en testmethoden toch defect raken, dient de reparatie te worden uitgevoerd door een erkende klantenservice voor SKIL elektrische gereedschappen
 - stuur de machine of de oplader **ongedemonteerd**, samen met het aankoopbewijs, naar het verkoopadres of het dichtstbijzijnde SKIL service-station (de adressen evenals de onderdelentekening van de machine vindt u op www.skil.com)
- Denk erom, dat beschadigingen als gevolg van overbelasting of onjuist gebruik van de machine niet onder de garantie vallen (voor de garantievoorwaarden van SKIL zie www.skil.com of raadpleeg uw dealer)

MILIEU

- **Geef elektrisch gereedschap, accessoires en verpakkingen niet met het huisvuil mee** (alleen voor EU-landen)
 - volgens de Europese richtlijn 2012/19/EG inzake oude elektrische en elektronische apparaten en de toepassing daarvan binnen de nationale wetgeving, dient afgedankt elektrisch gereedschap gescheiden te worden ingezameld en te worden afgevoerd naar een

recycle-bedrijf, dat voldoet aan de geldende milieu-eisen

- symbool ⑦ zal u in het afdankstadium hieraan herinneren

! verwijder de batterijen voordat u de machine afdankt

- Batterijen verwijderen/afdanke ⑯

! verwijder de batterijen pas als zij volledig leeg zijn

- bescherm batterijcontacten met stevige tape om kortsluiting te voorkomen
- geef de batterijen af bij een officieel inzamelpunt voor batterijen

! batterijen exploderen als zij in vuur worden gegooid, dus verbrand de batterij in geen geval

GELUID / VIBRATIE

- Gemeten volgens EN 60745 bedraagt het geluidsrukniveau van deze machine <70 dB(A) (onzekerheid K = 3 dB) en de vibratie <2,5 m/s² (vectorsom van drie richtingen; onzekerheid K = 1,5 m/s²)
 - Het trillingsemissieniveau is gemeten in overeenstemming met een gestandaardiseerde test volgens EN 60745; deze mag worden gebruikt om twee machines met elkaar te vergelijken en als voorlopige beoordeling van de blootstelling aan trilling bij gebruik van de machine voor de vermelde toepassingen
 - gebruik van de machine voor andere toepassingen, of met andere of slecht onderhouden accessoires, kan het blootstellingsniveau aanzienlijk **verhogen**
 - wanneer de machine is uitgeschakeld of wanneer deze loopt maar geen werk verricht, kan dit het blootstellingsniveau aanzienlijk **reduceren**
- ! bescherm uzelf tegen de gevolgen van trilling door de machine en de accessoires te onderhouden, uw handen warm te houden en uw werkwijze te organiseren**

S

Sladdlös skruvdragare 2710

INTRODUKTION

- Maskinen med höger-/vänstergång är avsedd för skruvdragning och förborring i trä
- Det här verktyget är inte avsedd för yrkesmässig användning
- Läs och spara denna instruktionsbok ③

TEKNISKA DATA ①

Max. vridmoment hårt skruvförband enligt ISO 5393 : 7Nm

VERKTYGSELEMENT ②

- A Laddare
- B Laddningskontakt
- C Batteriindikator
- D Till/från strömbrytare
- E Omkopplare för reversering av rotationsriktningen
- F Knapp för svängningsupplåsning
- G Magnetisk bitshållare
- H Lysdiodlampa
- J Bitsförvaring

SÄKERHET

ALLMÄNNA SÄKERHETSANVISNINGAR FÖR ELVERKTYG

⚠ VARNING Studera alla varningar, anvisningar, bilder och specifikationer gällande säkerhet som medföljer verktyget. Om anvisningarna inte följs kan det resultera i elektriska stötar, brand och/eller allvarliga personskador.

Förvara alla varningar och anvisningar för framtida bruk.

Nedan använt begrepp "elverktyg" hänför sig till nåt drivna elverktyg (med nåtsladd) och till batteridrivna elverktyg (sladdlösa).

- 1) **ARBETSPLATSSÄKERHET**
 - a) **Håll arbetsplatsen ren och välbelyst.** Oordning på arbetsplatsen eller dåligt belyst arbetsområde kan leda till olyckor.
 - b) **Använd inte elverktyget i explosionsfarlig omgivning med brännbara vätskor, gaser eller damm.** Elverktygen alstrar gnistor som kan antända dammet eller gaserna.
 - c) **Håll under arbetet med elverktyget barn och obehöriga personer på betryggande avstånd.** Om du störs av obehöriga personer kan du förlora kontrollen över elverktyget.
- 2) **ELEKTRISK SÄKERHET**
 - a) **Elverktygets stickpropp måste passa till vägguttaget. Stickproppen får absolut inte förändras. Använd inte adapterkontakter tillsammans med skyddsjordade elverktyg.** Oförändrade stickproppar och passande vägguttag reducerar risken för elektriskt slag.
 - b) **Undvik kroppskontakt med jordade ytor som t. ex. rör, värmeelement, pisar och kylskåp.** Det finns en större risk för elektriskt slag om din kropp är jordad.
 - c) **Skydda elverktyget mot regn och väta.** Tränger vatten in i ett elverktyg ökar risken för elektriskt slag.
 - d) **Missbruka inte nätsladden och använd den inte för att bära eller hänga upp elverktyget och inte heller för att dra stickproppen ur vägguttaget. Håll nätsladden på avstånd från värme, olja, skarpa kanter och rörliga maskindelar.** Skadade eller tilltrasslade ledningar ökar risken för elektriskt slag.
 - e) **När du arbetar med ett elverktyg utomhus använd endast förlängningssladdar som är godkända för utomhusbruk.** Om en lämplig förlängningssladd för utomhusbruk används minskar risken för elektriskt slag.
 - f) **Använd en jordfelsbrytare om det inte är möjligt att undvika elverktygets användning i fuktig miljö.** Genom att använda en jordfelsbrytare minskas risken för elstöt.
- 3) **PERSONSÄKERHET**
 - a) **Var uppmärksam, kontrollera vad du gör och använd elverktyget med förnuft. Använd inte elverktyget när du är trött eller om du är påverkad av droger, alkohol eller mediciner.** Under användning av elverktyg kan även en kort ouppmärksamhet leda till allvarliga kroppsskador.
 - b) **Bär alltid personlig skyddsutrustning och skyddsglasögon.** Användning av personlig skyddsutrustning som t. ex. dammfiltermask, halkfria säkerhetsskor, skyddshjälm och hörselskydd reducerar alltefter elverktygets typ och användning risken för kroppsskada.
 - c) **Undvik oavsiktlig igångsättning. Kontrollera att elverktyget är fränkopplat innan du ansluter stickproppen till vägguttaget och/eller ansluter/tar bort batteriet, tar upp eller bär elverktyget.** Om du bär elverktyget med fingret på strömställaren eller ansluter påkopplat elverktyg till nätströmmen kan olycka uppstå.
 - d) **Ta bort alla inställningsverktyg och skruvnycklar innan du kopplar på elverktyget.** Ett verktyg eller en nyckel i en roterande komponent kan medföra kroppsskada.
 - e) **Överskatta inte din förmåga. Se till att du står stadigt och håller balansen.** I detta fall kan du lättare kontrollera elverktyget i oväntade situationer.
 - f) **Bär lämpliga kläder. Bär inte löst hängande kläder eller smycken. Håll håret och kläderna på avstånd från de rörliga delarna.** Löst hängande kläder, smycken och långt hår kan dras in av roterande delar.
 - g) **Vid elverktyg med dammutsugnings- och -uppsamlingsutrustning kontrollera att anordningarna är rätt monterade och används på korrekt sätt.** Användning av dammutsugning minskar de risker damm orsakar.
 - h) **Låt inte vanan att ofta använda verktygen göra att du blir slarvig och ignorerar verktygets**

säkerhetsprinciper. En vårdslös åtgärd kan leda till allvarlig personskada inom bråkdelen av en sekund.

4) OMSORGSFULL HANTERING OCH ANVÄNDNING AV ELVERKTYG

- a) **Överbelasta inte elverktyget.**
Använd för aktuellt arbete avsett elverktyg. Med ett lämpligt elverktyg kan du arbeta bättre och säkrare inom angivet effektområde.
- b) **Ett elverktyg med defekt strömställare får inte längre användas.** Ett elverktyg som inte kan kopplas in eller ur är farligt och måste repareras.
- c) **Dra stickproppen ur vägguttaget och/eller ta bort batteriet, om det kan tas ut ur elverktyget, innan inställningar utförs, tillbehör delar byts ut eller elverktyget lagras.** Denna skyddsåtgärd förhindrar oavsiktlig inkoppling av elverktyget.
- d) **Förvara elverktygen oåtkomliga för barn.** Låt elverktyget inte användas av personer som inte är förtrogna med dess användning eller inte läst denna anvisning. Elverktygen är farliga om de används av oerfarna personer.
- e) **Underhåll elverktyg och tillbehör omsorgsfullt.** Kontrollera att rörliga komponenter fungerar felfritt och inte kärvar, att komponenter inte brustit eller skadats; orsaker som kan leda till att elverktygets funktioner påverkas menligt. Låt skadade delar repareras innan elverktyget återanvänds. Många olyckor orsakas av dåligt skötta elverktyg.
- f) **Håll skärverktygen skarpa och rena.** Omsorgsfullt skötta skärverktyg med skarpa eggar kommer inte så lätt i kläm och går lättare att styra.
- g) **Använd elverktyget, tillbehör, insatsverktyg osv. enligt dessa anvisningar. Ta hänsyn till arbetsvillkoren och arbetsmomenten.** Används elverktyget på icke ändamålsenligt sätt kan farliga situationer uppstå.
- h) **Håll handtag och greppytor torra, rena och fria från olja och fett.** Håll handtag och greppytor ger ingen

säker hantering och kontroll över verktyget i oväntade situationer.

5) OMSORGSFULL HANTERING OCH ANVÄNDNING AV SLADDLÖSA ELVERKTYG

- a) **Ladda batterierna endast i de laddare som tillverkaren rekommenderat.** Om en laddare som är avsedd för en viss typ av batterier används för andra batterityper finns risk för brand.
 - b) **Använd endast batterier som är avsedda för aktuellt elverktyg.** Används andra batterier finns risk för kroppsskada och brand.
 - c) **Håll gem, mynt, nycklar, spikar, skruvar och andra små metallföremål på avstånd från reservbatterier för att undvika en bygling av kontaktarna.** En kortslutning av batteriets kontakter kan leda till brännskador eller brand.
 - d) **Om batteriet används på fel sätt finns risk för att vätska rinner ur batteriet. Undvik kontakt med vätskan. Vid oavsiktlig kontakt spola med vatten. Om vätska kommer i kontakt med ögonen uppsök dessutom läkare.** Batterivätskan kan medföra hudirritation eller brännskada.
 - e) **Använd inte batteriet eller verktyg som är skadade eller modifierade.** Skadade eller modifierade batterier kan bete sig oväntat vilket leder till brand, explosion eller risk för personskador.
 - f) **Du ska inte exponera ett batteri eller verktyg för brand eller för hög temperatur.** Exponering för brand eller temperaturer över 130°C kan leda till explosion.
 - g) **Följ alla laddningsinstruktioner och ladda inte batteriet eller verktyget utanför det temperaturomfång som specificeras i instruktionerna.** En olämplig laddning eller en laddning vid en temperatur som ligger utanför det specificerade området kan skada batteriet och öka brandrisken.
- #### 6) SERVICE
- a) **Låt elverktyget repareras endast av kvalificerad fackpersonal och med originalreservdelar.** Detta garanterar att elverktygets säkerhet upprätthålls.

- b) **Utför aldrig service på skadade batterier.** Service på batterier får endast utföras av tillverkaren eller auktoriserade tjänsteleverantörer.

SÄKERHETSANVISNINGAR FÖR SLADDLÖS SKRUVDRAGAR

ALLMÄNT

- **Asbesthaltigt material får inte bearbetas** (asbest anses vara cancerframkallande)
- Viss typ av damm, exempelvis färg som innehåller bly, vissa träsorter, mineraler och metaller kan vara hälsovådliga om de inhaleras (hudkontakt eller inandning kan ge allergisk reaktion och/eller luftvägsproblem/sjukdom hos personer i närheten); **använd andningsskydd och arbeta med en dammuppsamlare om sådan anslutning finns**
- Vissa typer av damm är klassificerade så som carcinogena (t.ex. ek- och björkdamm) särskilt i kombination med tillsatser för träbehandling; **använd andningsskydd och arbeta med en dammuppsamlare om sådan anslutning finns**
- Följ de nationella krav, som finns angående damm, för de material du skall arbeta med
- Utsätt inte maskinen/laddaren för regn
- Försök ej ta isär laddaren eller maskinen
- Kontrollera att omkopplare E ② är i mellan position (låst läge) innan inställningar utförs eller tillbehörsdelar byts eller maskinen transporteras eller lagras

LADDNING/BATTERIERNÄ

- Använd bara SKIL-laddaren 2610Z07379 med det här verktyget
- **Denna laddare får användas av barn från 8 år och personer med begränsad**

fysisk, sensorisk eller mental förmåga eller med bristande kunskap och erfarenhet om de övervakas av en person som ansvarar för deras säkerhet, eller som instruerar dem i säker hantering av laddaren och gör att de förstår riskerna (i annat fall föreligger fara för felanvändning och skador)

- **Håll barn under uppsikt** (barn får inte leka med laddaren)
- **Utan uppsikt får barn inte rengöra eller underhålla laddaren**
- Anslut aldrig trasig laddare
- Tillåten omgivningstemperatur (verktyg/laddare/batteri):
 - vid laddning 4...40°C
 - vid drift -20...+50°C
 - vid förvaring -20...+50°C

TILLBEHÖR

- SKIL kan endast garantera att maskinen fungerar felfritt om originaltillbehör används

FÖRE ANVÄNDNINGEN

- Kontrollera alltid att den tillförda

strömtyper stämmer med spänningen som anges på laddarens märkplåt

- Undvik skador genom att ta bort skruvar, spikar eller andra föremål ur arbetsstycket; ta dem bort innan du startar ett arbete
- **Sätt fast arbetsstycket** (ett arbetsstycke fastsatt med skruvvingar eller i ett skruvståd är mera stabilt än om det hålls fast för hand)
- **Använd lämpliga detektorer för lokalisering av dolda försörjningsledningar eller konsultera lokalt distributionsföretag** (kontakt med elledningar kan förorsaka brand och elstöt; en skadad gasledning kan leda till explosion; borring i vattenledning kan förorsaka saksador eller elstöt)

UNDER ANVÄNDNINGEN

- **Håll fast elverktyget vid de isolerade greppytorna när arbeten utförs på ställen där insatstillbehöret eller skruven kan skada dolda elledningar** (kontakt med en spänningsförande ledning kan sätta elverktygets metalldelar under spänning och leda till elstöt)
- I händelse av onormala elektriska eller mekaniska störningar, stäng genast av maskinen eller dra ur laddarens stickpropp från elurtaget

BESKRIVNING AV SYMBOLER PÅ VERKTYGET/LADDAREN

- ③ Läs bruksanvisningen före användning
- ④ Använd laddaren enbart inomhus
- ⑤ Dubbel isolering (ingen jordning krävs)
- ⑥ Fel polanslutning av laddarkontakten kan vara farligt (ladda batteriet enbart i originalladdaren)
- ⑦ Elektriska verktyg och batterier får inte kastas i hushållssopora

ANVÄNDNING

- Laddning av batteri ⑧
! en ny eller under en längre tid inte använd batteri uppnår först efter ca. 5 laddnings- / urladdningscykler full kapacitet
 - anslut laddaren A till ett vägguttag och anslut till kontakten B
 - indikatorn C lyser med GRÖNT ljus för att indikera att batteriet håller på att laddas

- när batteriet är helt laddat, indikatorn C slocknar (efter ca. 3 timmar)
- litiumjonbatteriet kan laddas när som helst (batteriet skadas inte om laddningsproceduren avbryts)
- litiumjonbatteriet behöver inte vara tomt innan laddning (ingen "minneseffekt", som med nickelkadmiumbatterier)
- verktyget kan under uppladdning inte användas; dvs. batteriet är inte defekt även om det inte fungerar under uppladdning
- om Du räknar med att ej använda Ditt maskin under en lång tid är det bäst att dra ur laddarens stickpropp från elurtaget

- Till/från ⑨
- Reversering av rotationsriktningen ⑩
 - om inte vänster/höger är inställt i rätt läge, kan inte strömbrytaren D ② tryckas in

! ändra rotationsriktningen när maskinen är helt stilla

- Byte av bits ⑪
 - sätt in bitsen ordentligt i bitshållaren G

! använd aldrig bits med trasig axel

- Automatisk spindellåsning
Tillåter dig att, vid behov, skruva åt eller lossa skruvar manuellt ⑫
- Lysdiodlampa ⑬
Lysdiodlampan H tänds automatiskt när brytaren D aktiveras, även om brytaren E är i den mittre (låsning) positionen
- Förvaring för bits J ⑭
Plats för 2 bits på framsidan
- Batteriindikator
När indikatorn C ② vid halvvägs nedtryckt strömbrytare D ② lyser med RÖTT ljus, är batteriets kapacitet högst 30% och ska därför laddas upp
- Två handtagslägen ⑮
- Batteriskydd
Slår automatiskt av verktyget när batteriets temperatur blir för hög (> +65°C)
litiumjonbatteriet är nästan tomt (för att skydda mot fullständig urladdning)

ANVÄNDNINGSTIPS

- Använd rätt bits ⁽¹⁵⁾
! använd aldrig trasig bits
! använd endast bits med sexkantsfäste
- Vid idragning av en skruv nära kortänden eller på sidan av trämaterialiet skall förborring ske för att undvika sprickbildning
- För bästa användning av maskinen är det nödvändigt med ett jämnt tryck på skruven, speciellt vid urdragning
- Vid skruvning i hårt trä bör man först förborra ett hål
- Besök www.skil.com för mer information

UNDERHÅLL / SERVICE

- Det här verktyget är inte avsedd för yrkesmässig användning
- Håll din maskin och laddaren ren
! dra ur laddarens stickpropp från elurtaget innan rengöring
- Om i elverktyget/laddaren trots exakt tillverkning och sträng kontroll störning skulle uppstå, bör reparation utföras av auktoriserad serviceverkstad för SKIL elverktyg
 - sänd in verktyget eller laddaren i **odemonterat skick** tillsammans med inköpsbevis till försäljaren eller till närmaste SKIL serviceverkstad (adresser till servicestationer och sprängskisser av maskiner finns på www.skil.com)
- Observera att skada till följd av ovarsamhet eller överbelastning inte täcks av garantin (för SKIL garantivillkor gå till www.skil.com eller fråga återförsäljaren)

MILJÖ

- **Elektriska verktyg, tillbehör och förpackning får inte kastas i hushållssoporna** (gäller endast EU-länder)
 - enligt direktivet 2012/19/EG som avser äldre elektrisk och elektronisk utrustning och dess tillämpning enligt nationell lagstiftning ska uttjänta elektriska verktyg sorteras

separat och lämnas till miljövänlig återvinning

- symbolen ⁽⁷⁾ kommer att påminna om detta när det är tid att kassera
! ta bort batteriet när verktyget ska kasseras
- Borttagning/kassering av batteriet ⁽¹⁶⁾
! ta bort batteriet när det är helt tomt
 - skydda batterikontakterna med grov plasttejp för att förebygga kortslutning
 - avyttra batteriet på lämplig insamlingsplats
- ! batterierna kan explodera om de utsätts för eld, undanhåll batterierna från heta källor**

LJUD / VIBRATION

- Ljudtrycksnivån som uppmäts enligt EN 60745 är på denna maskin <70 dB(A) (onoggrannhet K = 3 dB) och vibration <2,5 m/s² (vektorsumma i tre riktningar; onoggrannhet K = 1,5 m/s²)
- Vibrationsemissionsvärdet har uppmäts enligt ett standardiserat test i enlighet med EN 60745; detta värde kan användas för att jämföra vibrationen hos olika verktyg och som en ungefärlig uppskattning av hur stor vibration användaren utsätts för när verktyget används enligt det avsedda syftet
 - om verktyget används på ett annat än det avsedda syftet eller med fel eller dåligt underhållna tillbehör kan detta drastiskt **öka** vibrationsnivån
 - när verktyget stängs av eller är på men inte används, kan detta avsevärt **minska** vibrationsnivån
- ! skydda dig mot vibration genom att underhålla verktyget och dess tillbehör, hålla händerna varma och styra upp ditt arbetssätt**

DK

Akkuskruetrækkere

2710

INLEDNING

- Værktøjet med højre-/venstreløb er beregnet til skruearbejde og forboring i træ

- Dette værktøj er ikke beregnet til professionelt brug
- Læs og gem denne betjeningsvejledning ③

TEKNISKE DATA ①

Max. drejningsmoment hårdt skruearbejde iht. ISO 5393 : 7Nm

VÆRKTØJETS DELE ②

- A Oplader
- B Opladerstik
- C Indikator for batteritilstand
- D Tænd/sluk afbryder
- E Omskifter til ændring af omdrejningsretningen
- F Drejeknap til oplåsning
- G Magnetisk bitholder
- H LED-lys
- J Bit-opbevaring

SIKKERHED

GENERELLE SIKKERHEDSINSTRUKSER FOR EL-VÆRKTØJ

⚠ ADVARSEL Læs alle sikkerhedsadvarsler, instruktioner, illustrationer og specifikationer, der leveres med dette elektriske værktøj. Hvis alle instruktioner opført herunder ikke følges, kan det medføre elektrisk stød, brand og/eller alvorlige kvæstelser.

Gem alle advarsler og instruktioner til senere brug.

Begrebet "elværktøj" i advarslerne refererer til elværktøj, der kører på lysnettet (med netkabel) samt batteridrevet værktøj (uden netkabel).

1) SIKKERHED PÅ ARBEJDSPLADSEN

- a) **Sørg for, at arbejdsområdet er rent og ryddeligt.** Uorden eller uoplyste arbejdsområder øger faren for uheld.
- b) **Brug ikke elværktøjet i eksplosionstruede omgivelser, hvor der er brændbare væsker, gasser eller støv.** Elværktøj kan slå

gnister, der kan antænde støv eller dampe.

- c) **Sørg for, at andre personer og ikke mindst børn holdes væk fra arbejdsområdet, når el-værktøjet er i brug.** Hvis man distraheres, kan man miste kontrollen over elværktøjet.
- ### 2) ELEKTRISK SIKKERHED
- a) **Elværktøjets stik skal passe til kontakten. Stikket må under ingen omstændigheder ændres. Brug ikke adapterstik sammen med jordforbundet elværktøj.** Uændrede stik, der passer til kontakterne, nedsætter risikoen for elektrisk stød.
 - b) **Undgå kropskontakt med jordfornbundne overflader som f.eks. rør, radiatorer, komfurer og køleskabe.** Hvis din krop er jordforbundet, øges risikoen for elektrisk stød.
 - c) **Elværktøjet må ikke udsættes for regn eller fugt.** Indtrængning af vand i et elværktøj øger risikoen for elektrisk stød.
 - d) **Brug ikke ledningen til formål, den ikke er beregnet til. Du må aldrig bære elværktøjet i ledningen, hænge elværktøjet op i ledningen eller rykke i ledningen for at trække stikket ud af kontakten. Beskyt ledningen mod varme, olie, skarpe kanter eller maskindele, der er i bevægelse.** Beskadigede eller indviklede ledninger øger risikoen for elektrisk stød.
 - e) **Hvis elværktøjet benyttes i det fri, må der kun benyttes en forlængerledning, der er egnet til udendørs brug.** Brug af forlængerledning til udendørs brug nedsætter risikoen for elektrisk stød.
 - f) **Hvis det ikke kan undgås at bruge elværktøjet i fugtige omgivelser, skal der bruges et HFI-relæ.** Brug af et HFI-relæ reducerer risikoen for at få elektrisk stød.
- ### 3) PERSONLIG SIKKERHED
- a) **Det er vigtigt at være opmærksom, se, hvad man laver, og bruge el-værktøjet fornuftigt. Brug ikke noget el-værktøj, hvis du er træt, har nydt alkohol eller er påvirket af medikamenter eller euforiserende stoffer. Få**

sekunders uopmærksomhed ved brug af el-værktøjet kan føre til alvorlige personskader.

- b) **Brug beskyttelsesudstyr og hav altid beskyttelsesbriller på.** Brug af sikkerhedsudstyr som f.eks. støvmaske, skridsikkert fodtøj, beskyttelseshjelm eller høreværn afhængig af maskintype og anvendelse nedsætter risikoen for personskader.
- c) **Undgå utilsigtet igangsætning. Kontrollér, at el-værktøjet er slukket, før du tilslutter det til strømtilførslen og/eller akkuen, løfter eller bærer det.** Undgå at bære el-værktøjet med fingeren på afbryderen og sørg for, at el-værktøjet ikke er tændt, når det sluttes til nettet, da dette øger risikoen for personskader.
- d) **Gør det til en vane altid at fjerne indstillingsværktøj eller skruenøgle, før el-værktøjet tændes.** Hvis et stykke værktøj eller en nøgle sidder i en roterende maskindel, er der risiko for personskader.
- e) **Undgå en unormal legemsposition. Sørg for at stå sikkert, mens der arbejdes, og kom ikke ud af balance.** Dermed har du bedre muligheder for at kontrollere el-værktøjet, hvis der skulle opstå uventede situationer.
- f) **Brug egnet arbejdstøj. Undgå løse beklædningsgenstande eller smykker. Hold hår og tøj væk fra dele, der bevæger sig.** Dele, der er i bevægelse, kan gribe fat i løstsiddende tøj, smykker eller langt hår.
- g) **Hvis støvudsugnings- og opsamlingsudstyr kan monteres, er det vigtigt, at dette tilsluttes og benyttes korrekt.** Brug af en støvopsugning kan reducere støvmængden og dermed den fare, der er forbundet støv.
- h) **Selvom du kender værktøjet godt og er vant til at bruge det, skal du alligevel være opmærksom og overholde sikkerhedsanvisningerne.** Et øjeblik uopmærksomhed kan

medføre alvorlige personskader.

- 4) **OMHYGGELIG OMGANG MED OG BRUG AF EL-VÆRKTØJ**
- a) **Undgå overbelastning af el-værktøjet. Brug altid et el-værktøj, der er beregnet til det stykke arbejde, der skal udføres.** Med det passende el-værktøj arbejder man bedst og mest sikkert inden for det angivne effektområde.
- b) **Brug ikke et el-værktøj, hvis afbryder er defekt.** Et el-værktøj, der ikke kan startes og stoppes, er farlig og skal repareres.
- c) **Træk stikket ud af stikkontakten og/eller fjern akkuen, hvis den er aftagelig, før maskinen indstilles, før skift af tilbehørsdele eller før el-værktøjet lægges til opbevaring.** Disse sikkerhedsforanstaltninger forhindrer utilsigtet start af el-værktøjet.
- d) **Opbevar ubenyttet el-værktøj uden for børns rækkevidde. Lad aldrig personer, der ikke er fortrolige med el-værktøjet eller ikke har gennemlæst disse instrukser, benytte el-værktøjet.** El-værktøj er farligt, hvis det benyttes af ukyndige personer.
- e) **Vedligehold el-værktøj og tilbehørsdele. Kontroller, om bevægelige maskindele fungerer korrekt og ikke sidder fast, og om delene er brækket eller beskadiget, således at el-værktøjets funktion påvirkes. Få beskadigede dele repareret, inden el-værktøjet tages i brug.** Mange uheld skyldes dårligt vedligeholdte el-værktøjer.
- f) **Sørg for, at skæreværktøjer er skarpe og rene.** Omhyggeligt vedligeholdte skæreværktøjer med skarpe skærekanter sætter sig ikke så hurtigt fast og er nemmere at føre.
- g) **Brug el-værktøj, tilbehør, indsatsværktøj osv. iht. disse instrukser. Tag hensyn til arbejdsforholdene og det arbejde, der skal udføres.** Anvendelse af el-værktøjet til formål, som ligger uden for det fastsatte anvendelsesområde, kan føre til farlige situationer.
- h) **Hold håndtag og gribeflader tørre, rene og fri for olie og smørefedt.**

Hvis håndtag og gribeblader er glatte, kan værktøjet ikke håndteres og styres sikkert, hvis der sker noget uventet.

5) OMHYGGELIG OMGANG MED OG BRUG AF AKKU-VÆRKTØJER

a) Oplad kun akkuer i ladeaggregater, der er anbefalet af fabrikanten.

Et ladeaggregat, der er egnet til en bestemt type akkuer, må ikke benyttes med andre akkuer - brandfare.

b) Brug kun de akkuer, der er beregnet til værktøjet. Brug af andre akkuer øger risikoen for personskader og er forbundet med brandfare.

c) Ikke benyttede akkuer må ikke komme i berøring med kontorclips, mønter, nøgler, søm, skruer eller andre små metalgenstande, da disse kan kortslutte kontakterne.

En kortslutning mellem akku-kontakterne øger risikoen for personskader i form af forbrændinger.

d) Hvis akkuen anvendes forkert, kan der slippe væske ud af akkuen. Undgå at komme i kontakt med denne væske. Hvis det alligevel skulle ske, skylles med vand.

Søg læge, hvis væsken kommer i øjnene. Akku-væske kan give hudirritation eller forbrændinger.

e) Brug ikke akkuer eller værktøj, som er beskadiget eller modificeret. Beskadigede eller modificerede akkuer kan opføre sig uforudsigeligt og forårsage brand, eksplosion eller fare for personskade.

f) Akkuer eller værktøj må ikke udsættes for ild eller meget høje temperaturer. Ild eller temperaturer over 130°C kan medføre eksplosion.

g) Følg alle instruktioner for opladning. Akkuen må ikke oplades ved temperaturer uden for det område, der er angivet i instruktionerne. Forkert opladning eller opladning ved temperaturer uden for det angivne område kan medføre skader på akkuen og forøge brandfaren.

6) SERVICE

a) Sørg for, at el-værktøj kun reparerer af kvalificerede fagfolk og at der kun benyttes originale reservedele. Dermed sikres størst mulig maskinsikkerhed.

b) Beskadigede akkuer må aldrig reparerer. Reparation af akkuer må kun udføres af producenten eller autoriserede reparatører.

SIKKERHEDSINSTRUKSER FOR AKKUSKRUETRÆKKERE

GENERELT

- **Bearbejd ikke asbestholdigt materiale** (asbest er kræftfremkaldende)
- Støv fra materiale som f.eks. maling, der indeholder bly, nogle træsorter, mineraler og metal kan være skadeligt (kontakt med eller indånding af støvet kan forårsage allergiske reaktioner og/eller sygdomme i luftvejene hos den, der anvender værktøjet, eller hos omkringstående); **bær en støvmaske og arbejd med en støvudsugningsanordning, hvor en sådan kan sluttes til**
- Visse slags støv er klassificeret som kræftfremkaldende (som f.eks. støv fra eg og bøg) især i forbindelse med tilsætningsstoffer til træbehandling; **bær en støvmaske og arbejd med en støvudsugningsanordning, hvor en sådan kan sluttes til**
- Følg de nationale krav, hvad angår støv, for de materialer, du ønsker at arbejde med
- Sæt ikke værktøj/opladeren ud i regn
- Skille ikke opladeren eller værktøj ad
- Kontroller, at omskifter E ② er i midterste (låst) position inden værktøjet indstilles eller der skiftes tilbehørsdele eller værktøjet bæres eller lægges fra

OPLADNING/BATTERIERNE

- Brug kun SKIL-opladeren 2610Z07379 med dette værktøj
- **Denne oplader må kun bruges af børn fra 8 år samt af personer med begrænsede fysiske, sensoriske**

eller mentale tilstand eller manglende erfaring og kendskab, hvis det sker under opsyn, eller de modtager anvisninger på sikker omgang med opladeren og således forstår de farer, der er forbundet hermed (i modsats fald er der risiko for fejlbetjening og personskader)

- **Sørg for, at børn er under opsyn (dermed sikres det, at børn ikke leger med opladeren)**
- **Opladeren må kun rengøres og vedligeholdes af børn, hvis de er under opsyn**
- Brug ikke opladeren hvis den er beskadiget
- Tilladt omgivelsestemperatur (værktøj/ oplader/batteri):
 - ved opladning 4...40°C
 - ved drift -20...+50°C
 - ved opbevaring -20...+50°C

TILBEHØR

- SKIL kan kun sikre en korrekt funktion af værktøjet, hvis der benyttes originalt tilbehør

INDEN BRUG

- Kontrollér altid at forsyningsspændingen er den samme som den spænding, der er anført på opladerens navneskilt
- Undgå skader forårsaget af skruer, søm eller andre materialer i arbejdsstykket; fjern disse før De begynder at arbejde
- **Fastgør emnet** (det er sikrere at holde emner i en fastgøringsanordning eller skruestik end med hånden)
- **Anvend egnede søgeinstrumenter til at finde frem til skjulte forsyningsledninger eller kontakt det lokale forsyningselskab** (kontakt med elektriske ledninger kan føre til brand og elektrisk stød; beskadigelse af en gasledning kan føre til eksplosion; brud på et vandrør kan føre til materiel skade eller elektrisk stød)

UNDER BRUG

- **Hold el-værktøjet i de isolerede gribeplader, når du udfører arbejde, hvor indsatsstilbehøret eller skruer kan ramme bøjede strømledninger** (kontakt med en spændingsførende ledning kan også sætte el-værktøjets metaldele under spænding, hvilket kan føre til elektrisk stød)
- I tilfælde af elektrisk eller mekanisk fejlfunktion skal værktøjet straks afbrydes eller opladeren fjernes fra stikkontakten

FORKLARING TIL SYMBOLERNE PÅ VÆRKTØJET/LADER

- ③ Læs instruktionen inden brugen
- ④ Benyt kun laderen indendørs
- ⑤ Dobbelt isolering (jordforbindelse unødvendig)
- ⑥ Forkert polaritet på laderens tilslutning kan medføre fare (lad kun batteriet op med den medfølgende lader)
- ⑦ Elværktøj og batterier må ikke bortskaffes som almindeligt affald

BETJENING

- Opladning af batteriet ⑧
! en ny batteri eller en batteri, som ikke har været benyttet i længere tid, yder først fuld kapacitet efter ca. 5 opladninger/afladninger
 - slut laderen A til både vægkontakten

og stikket på pumpen B

- indikatoren C lyser GRØN, mens batteriet lader op
- når batteriet er fuldt opladet, indikatoren C slukker (efter ca. 3 timer)
- litiumion-batteriet kan oplades når som helst (batteriet tager ikke skade af, at opladningen afbrydes)
- lithium-ion batteriet behøver ikke at være helt afladt, før det oplades (det har ingen "hukommelse" som nikkel-kadmium batterier)
- værktøjet kan ikke anvendes under opladningen; det er ikke defekt, når det ikke fungerer under opladningen
- hvis værktøjet i længere tid ikke bliver benyttet, er det bedst at trække opladerens stik ud af stikkontakten

• Tænd/sluk ⑨

• Ændring af omdrejningsretningen ⑩

- afbryderen D ② kan ikke aktiveres, hvis retningsskifteren ikke er indstillet korrekt

! ændre kun omdrejningsretningen når værktøjet er standset helt

• Ombytning af bits ⑪

- pres bit i bund i bitholderen G

! brug ikke bits med beskadiget skaft

• Automatisk akselblokering

Gør det muligt at løsne og stramme skrue manuelt, når nødvendigt ⑫

• LED-lys ⑬

LED-lampen H tænder automatisk, når der trykkes på en knap D, selv om knappen E er i midterposition (låseposition)

• Opbevaring til bits J ②

Med opbevaring til 2 bits foran

• Indikator for batteritilstand

Lyser indikatoren C ② RØD, når afbryderen D ② trykkes halvt ned, har batteriet mindre end 30% tilbage af sin kapacitet og bør oplades

• To indstillinger af grebet ⑭

• Batteribeskyttelse

Slukker automatisk for værktøjet, når batteritemperaturen bliver for høj (> +65°C)

lithium-ion batteriet næsten er afladt (for at beskytte mod for kraftig afladning)

GODE RÅD

• Brug rigtige bits ⑮

! brug ikke beskadiget bits

! brug kun bits med sekskant

- Ved iskruning af en skrue nær endeflader eller i endetræ bør der forbores for at undgå splinter i træet
- For at få optimal glæde af værktøjet er det nødvendig med et jævnt tryk på skruen, især ved udskruring
- Ved iskruning i hårdt træ anbefales det at forbore
- Se yderligere oplysninger på www.skil.com

VEDLIGEHOLDELSE/SERVICE

- Dette værktøj er ikke beregnet til professionelt brug
- Hold Deres værktøj og oplader ren
! fjern opladeren fra stikkontakten før rensning
- Skulle el værktøjet/opladeren trods omhyggelig fabrikation og kontrol holde op med at fungere, skal reparationen udføres af et autoriseret serviceværksted for SKIL-elektroværktøj
 - send venligst det **uskilte** værktøj eller oplader sammen med et køb-bevis til din forhandler eller nærmeste autoriseret SKIL service værksted (adresser og reservedelstegning af værktøjet findes på www.skil.com)
- Husk, at beskadigelse som følge af overbelastning eller forkert håndtering af værktøjet ikke er omfattet af garantien (se www.skil.com vedrørende SKIL-garantibetingelserne, eller spørg din forhandler)

MILJØ

- **Elværktøj, tilbehør og emballage må ikke bortskaffes som almindeligt affald** (kun for EU-lande)
 - i henhold til det europæiske direktiv 2012/19/EF om bortskaffelse af elektriske og elektroniske produkter og gældende national lovgivning, skal brugt elværktøj indsamles separat og bortskaffes på en måde,

der skåner miljøet mest mulig
- symbolet ⑦ erindrer dig om dette, når udsifting er nødvendig

! tag batterierne ud, før værktøjet kasseres

- Udtagning/kassering af batterier ⑯
! tag kun batterierne ud, hvis de er fuldstændig flade

- beskyt batteripolerne med en stærk tape for at undgå kortslutning
- aflever batterierne til et officielt indsamlingssted for batterier

! batterier vil eksplodere, hvis de kommer i ild, så forsøg aldrig at brænde batteriet

STØJ / VIBRATION

- Måles efter EN 60745 er lydtrykniveau af dette værktøj <70 dB(A) (usikkerhed K = 3 dB) og vibrationsniveauet <2,5 m/s² (vektorsum for tre retninger; usikkerhed K = 1,5 m/s²)

- Vibrationsniveauet er målt i henhold til den standardiserede test som anført i EN 60745. Det kan benyttes til at sammenligne to stykker værktøj og som en foreløbig bedømmelse af udsættelsen for vibrationer, når værktøjet anvendes til de nævnte form

- anvendes værktøjet til andre formål eller med andet eller dårligt vedligeholdt tilbehør, kan dette øge udsættelsesniveauet betydeligt
- de tidsrum, hvor værktøjet er slukket, eller hvor det kører uden reelt at udføre noget arbejde, kan **reducere** udsættelsesniveauet betydeligt

! beskyt dig selv imod virkningerne af vibrationer ved at vedligeholde værktøjet og dets tilbehør, ved at holde dine hænder varme og ved at organisere dine arbejdsmønstre

N

Oppladbare
skrutrekkere

2710

INTRODUKSJON

- Dette verktøyet med høye-/

venstregang er beregnet til skruing og forhåndsboring i tre

- Dette verktøyet er ikke beregnet på profesjonell bruk
- Les og ta vare på denne brukerveiledningen ③

TEKNISKE DATA ①

Maks. dreiemoment for hard skruing jf. ISO 5393 : 7Nm

VERKTØYELEMENTER ②

- A Lader
- B Ladekontakt
- C Batterinivåindikator
- D Av/på bryter
- E Bryter til endring av dreieretning
- F Skru opplåsningsknappen
- G Magnetisk bitholder
- H LED-Lampe
- J Oppbevaringsrom for bit

SIKKERHET

GENERELLE ADVARSLER FOR ELEKTROVERKTØY

⚠ ADVARSEL Les alle sikkerhetsadvarsler, instruksjoner, illustrasjoner og spesifikasjoner som følger med dette elektroverktøyet.

Hvis du unnlater å følge noen av instruksjonene som er listet opp ovenfor, kan det føre til elektrisk støt, brann og/eller alvorlige personskader.

Ta godt vare på alle advarslene og informasjonene.

Det nedenstående anvendte uttrykket "elektroverktøy" gjelder for strømdrevne (med ledning) og batteridrevne elektroverktøy (uten ledning).

1) SIKKERHET PÅ ARBEIDSPLASSEN

- a) **Hold arbeidsområdet rent og ryddig.** Rotete arbeidsområder eller arbeidsområder uten lys kan føre til ulykker.
- b) **Ikke arbeid med elektroverktøyet i eksplosjonsfarlige atmosfærer – der det befinner seg brennbare**

væsker, gass eller støv.

Elektroverktøy lager gnister som kan antenne støv eller damper.

- c) **Hold barn og andre personer unna når elektroverktøyet brukes.** Hvis du blir forstyrret under arbeidet, kan du miste kontrollen over elektroverktøyet.
- 2) **ELEKTRISK SIKKERHET**
- a) **Støpselet til elektroverktøyet må passe inn i stikkontakten. Støpselet må ikke forandres på noen som helst måte. Ikke bruk adapterstøpsler sammen med jordede maskiner.** Bruk av støpsler som ikke er forandret på og passende stikkontakter reduserer risikoen for elektriske støt.
- b) **Unngå kroppskontakt med jordede overflater slik som rør, ovner, komfyrer og kjøleskap.** Det er større fare ved elektriske støt hvis kroppen din er jordet.
- c) **Hold elektroverktøyet unna regn eller fuktighet.** Dersom det kommer vann i et elektroverktøy, øker risikoen for elektriske støt.
- d) **Ikke bruk ledningen til andre formål, f.eks. til å bære elektroverktøyet, henge den opp eller trekke den ut av stikkontakten. Hold ledningen unna varme, olje, skarpe kanter eller maskindeler som beveger seg.** Med skadede eller opphopede ledninger øker risikoen for elektriske støt.
- e) **Når du arbeider utendørs med et elektroverktøy, må du kun bruke en skjøteledning som er godkjent til utendørs bruk.** Når du bruker en skjøteledning som er egnet for utendørs bruk, reduseres risikoen for elektriske støt.
- f) **Hvis det ikke kan unngås å bruke elektroverktøyet i fuktige omgivelser, må du bruke en jordfeilbryter.** Bruk av en jordfeilbryter reduserer risikoen for elektriske støt.
- 3) **PERSONSIKKERHET**
- a) **Vær oppmerksom, pass på hva du gjør, gå fornuftig frem når du arbeider med et elektroverktøy. Ikke bruk elektroverktøyet når du er trett eller er påvirket**

av narkotika, alkohol eller medikamenter. Et øyeblikks uoppmerksomhet ved bruk av elektroverktøyet kan føre til alvorlige skader.

- b) **Bruk personlig verneutstyr og husk alltid å bruke vernebriller.** Bruk av personlig sikkerhetsutstyr som støvmaske, sklifaste arbeidssko, hjelm eller hørselvern – avhengig av type og bruk av elektroverktøyet – reduserer risikoen for skader.
- c) **Unngå å starte verktøyet ved en feiltagelse. Forviss deg om at elektroverktøyet er slått av før du kobler det til strømmen og/ eller batteriet, løfter det opp eller bærer det.** Hvis du holder fingeren på bryteren når du bærer elektroverktøyet eller kobler elektroverktøyet til strømmen i innkoblet tilstand, kan dette føre til uhell.
- d) **Fjern innstillingsverktøy eller skrunøkler før du slår på elektroverktøyet.** Et verktøy eller en nøkkel som befinner seg i en roterende maskindel, kan føre til skader.
- e) **Ikke overvurder deg selv. Sørg for å stå stødig og i balanse.** Dermed kan du kontrollere elektroverktøyet bedre i uventede situasjoner.
- f) **Bruk alltid egnede klær. Ikke bruk vide klær eller smykker. Hold hår og klær unna deler som beveger seg.** Løstsittende tøy, smykker eller langt hår kan komme inn i deler som beveger seg.
- g) **Hvis det kan monteres støvavsug- og oppsamlingsinnretninger, må du forvise deg om at disse er tilkoblet og brukes på korrekt måte.** Bruk av et støvavsug reduserer farer på grunn av støv.
- h) **Selv når du er blitt vant til verktøyet, må du ikke bli sløv og ignorere sikkerhetsreglene for verktøyet.** En uforsiktig handling kan forårsake alvorlig personskade i løpet av et brøkdels sekund.
- 4) **AKTSOM HÅNDTERING OG BRUK AV ELEKTROVERKTØY**
- a) **Ikke overbelast elektroverktøyet. Bruk et elektroverktøy som er**

beregnet til den type arbeid du vil utføre. Med et passende elektroverktøy arbeider du bedre og sikrere i det angitte effektområdet.

- b) **Ikke bruk elektroverktøy med defekt på-/avbryter.** Et elektroverktøy som ikke lenger kan slås av eller på, er farlig og må repareres.
 - c) **Trekk støpselet ut av stikkkontakten og/eller fjern batteriet (hvis demonterbart) før du utfører innstillinger på elektroverktøyet, skifter tilbehørsdeler eller legger elektroverktøyet bort.** Disse tiltakene forhindrer en utilsiktet startung av elektroverktøyet.
 - d) **Elektroverktøy som ikke er i bruk må oppbevares utilgjengelig for barn. Ikke la elektroverktøyet brukes av personer som ikke er fortrolig med dette eller ikke har lest disse anvisningene.** Elektroverktøy er farlige når de brukes av uerfarne personer.
 - e) **Vær nøye med vedlikeholdet av elektroverktøyet og tilbehøret. Kontroller om bevegelige maskindeler fungerer feilfritt og ikke klemmes fast, og om deler er brukket eller skadet, slik at dette innvirker på elektroverktøyet funksjon. La skadede deler repareres før elektroverktøyet brukes.** Dårlig vedlikeholdte elektroverktøy er årsaken til mange uhell.
 - f) **Hold skjæreverktøyene skarpe og rene.** Godt stelte skjæreverktøy med skarpe skjær setter seg ikke så ofte fast og er lettere å føre.
 - g) **Bruk elektroverktøy, tilbehør, verktøy osv. i henhold til disse anvisningene. Ta hensyn til arbeidsforholdene og arbeidet som skal utføres.** Bruk av elektroverktøy til andre formål enn det som er angitt kan føre til farlige situasjoner.
 - h) **Hold håndtak og gripeflater tørre, rene og uten olje eller fett.** Glatte håndtak og gripeflater hindrer sikker håndtering og styring av verktøyet i uventede situasjoner.
- 5) AKTSOM HÅNDBETING OG BRUK AV BATTERIDREVNE VERKTØY**
- a) **Lad batteriet kun opp i ladere som**

er anbefalt av produsenten. Det oppstår brannfare hvis en lader som er egnet til en bestemt type batterier, brukes med andre batterier.

- b) **Bruk derfor kun riktig type batterier for elektroverktøyene.** Bruk av andre batterier kan medføre skader og brannfare.
 - c) **Hold batteriet som ikke er i bruk unna binders, mynter, nøkler, spikre, skruer eller andre mindre metallgjenstander, som kan lage en forbindelse mellom kontaktene.** En kortslutning mellom batterikontaktene kan føre til forbrenninger eller brann.
 - d) **Ved gal bruk kan det lekke væske ut av batteriet. Unngå kontakt med denne væsken. Ved tilfeldig kontakt må det skylles med vann. Hvis det kommer væske i øynene, må du i tillegg oppsøke en lege.** Batterivæske som renner ut kan føre til irritasjoner på huden eller forbrenninger.
 - e) **Ikke bruk batteriet eller verktøyet hvis det er skadet eller modifisert.** Ødelagte eller modifiserte batterier kan oppføre seg uforutsigbart, noe som kan føre til brann, eksplosjon eller fare for personskade.
 - f) **Ikke utsett batteriet eller verktøyet for åpen ild eller for høye temperaturer.** Eksposering for ild eller temperaturer over 130 °C kan forårsake eksplosjon.
 - g) **Følg alle ladeinstruksjoner, og ikke lad batteriet eller verktøyet utenfor temperaturområdet som er spesifisert i bruksanvisningen.** Feil lading eller lading ved temperaturer utenfor det spesifiserte temperaturområdet, kan skade batteriet og øke brannfaren.
- 6) SERVICE**
- a) **Maskinen din skal alltid kun repareres av kvalifisert fagpersonale og kun med originale reservedeler.** Slik opprettholdes elektroverktøyet sikkerhet.
 - b) **Ikke utfør service på ødelagte batterier.** Service på batterier skal alltid utføres av produsenten eller godkjente forhandlere.

SIKKERHETSANVISNINGER FOR OPPLADBAR SKRUTREKKER

GENERELL

- **Ikke bearbeid asbestholdig material** (asbest kan fremkalle kreft)
- Støv fra materialer som blyholdig maling, visse tresorter, mineraler og metall kan være skadelig (kontakt med eller inhalering av støv kan gi allergiske reaksjoner og/eller sykdommer i åndedretsorganene for brukeren eller personer i nærheten); **bruk støvmaske og arbeid med støvfjerningsutstyr når det er mulig**
- Visse typer støv er klassifisert som kreftfremkallende (som f.eks. støv fra eik og bøk), spesielt sammen med tilsetningsstoffer for trebehandling; **bruk støvmaske og arbeid med støvfjerningsutstyr når det er mulig**
- Følg de nasjonale krav, når det gjelder støv for de materialer du ønsker å arbeide med
- Utsett ikke verktøy/lader for regn
- Demontere ikke lader eller verktøy
- Sørg for at bryter E ② er i midtre (låst) posisjon før du utfører innstillinger på verktøyet eller skifter tilbehørsdeler eller bærer eller legger verktøyet bort

LADING/BATTERIENE

- Bruk bare SKIL-lader 2610Z07379 med dette verktøyet
- **Denne laderen kan brukes av barn fra 8 år og oppover og personer med reduserte fysiske eller sensoriske evner eller manglende erfaring og kunnskap hvis bruken skjer under tilsyn av**

en person som er ansvarlig for sikkerheten, eller vedkommende har fått opplæring i sikker bruk av laderen, og forstår farene som er forbundet med bruken (ellers er det fare for feilbetjening og personskader)

- **Barn må være under oppsyn** (slik kan du sørge for at barn ikke leker med laderen)
- **Barn må ikke rengjøre og vedlikeholde laderen uten oppsyn**
 - Bruk ikke laderen når den er skadet
 - Tillatt omgivelsestemperatur (verktøy/lader/batteri):
 - ved lading 4...40 °C
 - ved drift -20...+50 °C
 - ved lagring -20...+50 °C

TILBEHØR

- SKIL kan kun garantere et feilfritt verktøy dersom original-tilbehør brukes

FØR BRUK

- Sjekk alltid at tilført spenningen er den samme som oppgitt på laderens merkeplate
- Unngå skade pga. skruer, spiker eller andre elementer i arbeidsstykket; fjernes før man starter jobben

- **Sett fast arbeidsstykket** (et arbeidsstykke som er sikret med klemmer, sitter sikrere enn om det holdes fast for hånd)
- **Bruk egnede detektorer til å finne skjulte strøm-/gass-/vannledninger, eller spør hos det lokale el-/gass-/vannverket** (kontakt med elektriske ledninger kan medføre brann og elektrisk støt; skader på en gassledning kan føre til eksplosjon; inntrengning i en vannledning forårsaker materielle skader og kan medføre elektriske støt)

UNDER BRUK

- **Hold elektroverktøyet på de isolerte gripeflatene, hvis du utfører arbeid der innsatstilbehøret eller skruen kan treffe på skjulte strømledninger** (kontakt med en spenningsførende ledning kan også sette elektroverktøyet metalldele under spenning og føre til elektriske støt)
- I tilfelle noe elektrisk eller mekanisk unormalt, slå øyeblikkelig av bryteren eller ta ut laderen fra stikkkontakten

FORKLARING AV SYMBOLER PÅ VERKTØY/LADER

- ③ Les instruksjonsboken før bruk
- ④ Laderen skal kun brukes innendørs
- ⑤ Dobbeltisolert (ikke nødvendig med jordingsleder)
- ⑥ Ombytting av polene ved tilkobling av laderen kan medføre fare (batteriet skal kun lades med den medfølgende laderen)
- ⑦ Kast aldri elektroverktøy og batterier i husholdningsavfallet

BRUK

- Batterilading ⑧
! et nytt batteri eller et batteri som ikke har vært brukt over lengre tid gir først sin fulle effekt etter ca. 5 oppladings-/utladings-sykluser
 - koble laderen A både til vegguttaket og kontakten B
 - indikatoren C lyser GRØNT for å markere at batteriet blir ladet
 - når batteriet er fulladet, indikatoren C slukkes (etter ca. 3 timer)

- litium-ion batteriet kan lades til enhver tid (når ladningen avbrytes, skades batteriet ikke)
- litium-ion batteri behøver ikke å være utladet før de lades opp (ingen "minneeffekt" slik som i nikkell-kadium batterier)
- verktøyet kan ikke brukes under opplading; det er ikke defekt hvis det ikke fungerer i løpet av oppladingen
- dersom verktøyet ikke har vært benyttet på lang tid er det best å trekke laderen ut av stikkkontakten

- Av/på ⑨
- Endring av rotasjonsretning ⑩
 - hvis ikke retningshendelen er riktig satt i venstre/høyre posisjon, sperres bryteren D ②
- **! endre bare rotasjonsretning når verktøyet er helt stillestående**
- Bytting av bits ⑪
 - sett bit i bitholderen G til den butter
- **! bruk aldri bit med skadet tange**
- Automatisk spindellås
Tillater deg å skru eller løsne skruer manuelt, når nødvendig ⑫
- LED-Lampe ⑬
LED-lys H lys slås automatisk på ved aktivering av bryter D, selv når bryter E er i midtre (låst) posisjon
- Oppbevaring av bits J ⑭
For lagring av 2 bits foran
- Batterinivåindikator
Hvis indikatoren C ② lyser RØDT ved halvveis inntrykket bryter D ②, har batteriet mindre enn 30 % av sin kapasitet og bør lades opp
- To posisjoner til håndtak ⑭
- Batterivern
Slår verktøyet av automatisk når batteriets temperatur blir for høy (> +65 °C)
lithium-ion batteriet er nesten utladet (til vern mot dype utladninger)

BRUKER TIPS

- Bruk riktige bits ⑮
! bruk aldri skadet bits
! bruk alltid bits med sekskanttange
- Ved skruing ute ved materialkanten er det en fordel å forbore for å unngå at materialet sprekker

- For at du skal ha full nytte av verktøyet er det nødvendig med et svakt press mot skruen, spesielt ved utskruing
- Som skrutrekker ved anvendelse i hardt tre anbefaler vi å bore et styrehull først
- Se www.skil.com for mer informasjon

VEDLIKEHOLD / SERVICE

- Dette verktøyet er ikke beregnet på profesjonell bruk
- Hold verktøyet og laderen ren
! ta ut laderen fra stikkontakten før rengjøring
- Hvis elektroverktøyet/laderen til tross for omhyggelige produksjons- og kontrollmetoder en gang skulle svikte, må reparasjonen utføres av et autorisert serviceverksted for SKIL-elektroverktøy
 - send verktøyet eller laderen i **montert** tilstand med kjøpsbevis til leverandøren eller nærmeste SKIL serviceverksted (adresser liksom service diagram av verktøyet finner du på www.skil.com)
- Vær klar over at skade som skyldes overbelastning eller feilbehandling av verktøyet ikke dekkes av garantien (for SKIL garantibetingelser se www.skil.com eller spør din forhandler)

MILJØ

- **Kast aldri elektroverktøy, tilbehør og emballasje i husholdningsavfallet** (kun for EU-land)
 - i henhold til EU-direktiv 2012/19/EF om kasserte elektriske og elektroniske produkter og direktivets iverksetting i nasjonal rett, må elektroverktøy som ikke lenger skal brukes, samles separat og returneres til et miljøvennlig gjenvinningsanlegg
 - symbolet ⑦ er påtrykt som en påminnelse når utskifting er nødvendig
- ! fjern batteriene før du kaster verktøyet**

- Fjerning/avfallshåndtering av batterier ⑯
! batteriene skal bare tas ut når de er helt utladet
 - beskytt batteripolene med tykk teip for å hindre kortslutning
 - kvitt deg med batteriene på en godkjent oppsamlingsplass for batterier
- ! batterier vil eksplodere hvis de blir brent, derfor må man aldri brenne batteriene**

STØY / VIBRASJON

- Målt ifølge EN 60745 er lydtrykknivået av dette verktøyet <70 dB(A) (standard deviasjon: 3 dB) og vibrasjonsnivået <2,5 m/s² (vektorsum fra tre retninger; usikkerhet K = 1,5 m/s²)
- Vibrasjonsnivået er målt i samsvar med en standardisert test som er angitt i EN 60745; den kan brukes til å sammenligne et verktøy med et annet, og som et foreløpig overslag over eksponering for vibrasjoner ved bruk av verktøyet til de oppgavene som er nevnt
 - bruk av verktøyet til andre oppgaver, eller med annet eller mangelfullt vedlikeholdt utstyr, kan gi en vesentlig **økning** av eksponeringsnivået
 - tidsrommene når verktøyet er avslått eller når det går men ikke arbeider, kan gi en vesentlig **reduksjon** av eksponeringsnivået
- ! beskytt deg selv mot virkningene av vibrasjoner ved å vedlikeholde verktøyet og utstyret, holde hendene varme og organisere arbeidsmåten din**

FIN

Akkuruuvinvääntimet 2710

ESITTELY

- Suunnanvaihdolla varustetut koneet on tarkoitettu ruuvinvääntöön ja esiporaamiseen puuhun
- Tätä työkalua ei ole tarkoitettu ammattikäyttöön

- Lue ja säilytä tämä ohjekirja ③

TEKNISET TIEDOT ①

Suurin vääntömomentti kovassa ruuvinväännössä ISO 5393 mukaan : 7Nm

LAITTEEN OSAT ②

- A Laturi
- B Laturin liitäntä
- C Akun lataustilan merkkivalo
- D Virtakytin
- E Kytin pyörintäsuunnan vaihtamiseksi
- F Tapin vapautusnappi
- G Magneettinen kärjenpidin
- H Ledivalo
- J Kärkien säilytys

TURVALLISUUS

YLEISET SÄHKÖTYÖKALUJEN TURVALLISUUTEEN LIITTYVÄT VAROITUKSET

VAROITUS: Perehdy kaikkiin tämän sähkötyökalun mukana toimitettuihin varoituksiin, ohjeisiin, kuviin ja teknisiin tietoihin. Jos kaikkia alla olevia ohjeita ei noudateta, seurauksena voi olla sähköisku, tulipalo ja/tai vakava loukkaantuminen.

Säilytä kaikki turvallisuus- ja muut ohjeet tulevaisuutta varten.

Turvallisuusohjeissa käytetty käsite "sähkötyökalu" käsittää verkkokäyttöisiä sähkötyökaluja (verkkojohdolla) ja akkukäyttöisiä sähkötyökaluja (ilman verkkojohdtoa).

1) TYÖPAIKAN TURVALLISUUS

- a) **Pidä työskentelyalue puhtaana ja hyvin valaistuna.** Työpaikan epäjärjestys tai valaisemattomat työalueet voivat johtaa tapaturmiin.
- b) **Älä työskentele sähkötyökalulla räjähdysalttiissa ympäristössä, jossa on palavaa nestettä, kaasua tai pölyä.** Sähkötyökalu muodostaa kipinöitä, jotka saattavat sytyttää pölyn tai höyryt.

- c) **Pidä lapset ja sivulliset loitolla sähkötyökalua käyttäessäsi.** Voit menettää laitteesi hallinnan, huomiosi suuntautuessa muualle.
- 2) **SÄHKÖTURVALLISUUS**
 - a) **Sähkötyökalun pistotulpan tulee sopia pistorasiaan. Pistotulppaa ei saa muuttaa millään tavalla. Älä käytä mitään pistorasia-adaptoreita maadoitettujen sähkötyökalujen kanssa.** Alkuperäisessä kunnossa olevat pistotulpat ja sopivat pistorasiat vähentävät sähköiskun vaaraa.
 - b) **Vältä koskettamasta maadoitettuja pintoja, kuten putkia, pattereita, liesiä tai jääkaappeja.** Sähköiskun vaara kasvaa, jos kehosi on maadoitettu.
 - c) **Älä aseta sähkötyökalua alttiiksi sateelle tai kosteudelle.** Veden tunkeutuminen sähkötyökalun sisään kasvattaa sähköiskun riskiä.
 - d) **Älä käytä verkkojohtoa väärin. Älä käytä sitä sähkötyökalun kantamiseen, vetämiseen tai pistotulpan irrottamiseen pistorasiasta. Pidä johto loitolla kuumuudesta, öljystä, terävistä reunoista ja liikkuvista osista.** Vahingoittuneet tai sotkeutuneet johdot kasvattavat sähköiskun vaaraa.
 - e) **Käyttäessäsi sähkötyökalua ulkona, käytä ainoastaan ulkokäyttöön soveltuvaa jatkojohtoa.** Ulkokäyttöön soveltuvan jatkojohdon käyttö pienentää sähköiskun vaaraa.
 - f) **Jos sähkötyökalun käyttö kosteassa ympäristössä ei ole vältettävissä, tulee käyttää maavuotokatkaisijaa.** Maavuotokatkaisijan käyttö vähentää sähköiskun vaaraa.
- 3) **HENKILÖTURVALLISUUS**
 - a) **Ole valpas, kiinnitä huomiota työskentelyysi ja noudata tervettä järkeä sähkötyökalua käyttäessäsi. Älä käytä sähkötyökalua, jos olet väsynyt tai huumeiden, alkoholin tahi lääkkeiden vaikutuksen alaisena.** Hetken tarkkaamattomuus sähkötyökalua käytettäessä, saattaa johtaa vakavaan loukkaantumiseen.
 - b) **Käytä suojavarusteita. Käytä aina suojalaseja.** Henkilökohtaisen

suojavarustuksen käyttö, kuten pölynaamarin, luistamattomien turvakengien, suojakypärän tai kuulonsuojaimien, riippuen sähkötyökalun lajista ja käyttötavasta, vähentää loukkaantumisriskiä.

- c) **Vältä tahatonta käynnistämistä.** Varmista, että sähkötyökalu on poiskytkettynä, ennen kuin liität sen sähköverkkoon ja/tai liität akun, otat sen käteen tai kannat sitä. Jos kannat sähkötyökalua sormi käynnistyskytkimellä tai kytket sähkötyökalun pistotulpan pistorasiaan, käynnistyskytkimen ollessa käyntiasennossa, altistat itsesi onnettomuuksille.
- d) **Poista kaikki säätötyökalut ja ruuvitalat, ennen kuin käynnistät sähkötyökalun.** Työkalu tai avain, joka sijaitsee laitteen pyöriässä osassa, saattaa johtaa loukkaantumiseen.
- e) **Älä yliarvioi itseäsi. Huolehdi aina tukevasta seisoma-asennosta ja tasapainosta.** Täten voit paremmin hallita sähkötyökalua odottamattomissa tilanteissa.
- f) **Käytä tarkoitukseen soveltuvia vaatteita. Älä käytä löysiä työvaatteita tai koruja. Pidä hiukset ja vaatteet poissa liikkuvien osien ulottuvilta.** Väljät vaatteet, korut ja pitkät hiukset voivat takertua liikkuviin osiin.
- g) **Jos pölynimu- ja keräilylaitteita voidaan asentaa, tulee sinun tarkistaa, että ne on liitetty ja että ne käytetään oikealla tavalla.** Pölynimulaitteiston käyttö vähentää pölyn aiheuttamia vaaroja.
- h) **Työskentele keskittyneesti ja noudata aina turvallisuusmääräyksiä.** Hetkellinenkin huolimattomuus voi aiheuttaa vakavia vammoja.
- 4) SÄHKÖTYÖKALUJEN KÄYTTÖ JA HOITO**
- a) **Älä ylikuormita laitetta. Käytä kyseiseen työhön tarkoitettua sähkötyökalua.** Sopivaa sähkötyökalua käyttäen työskentelet paremmin ja varmemmin tehoalueella, jolle sähkötyökalu on tarkoitettu.
- b) **Älä käytä sähkötyökalua,**

jota ei voida käynnistää ja pysäyttää käynnistyskytkimestä.

Sähkötyökalu, jota ei enää voida käynnistää ja pysäyttää käynnistyskytkimellä, on vaarallinen ja se täytyy korjata.

- c) **Irrota pistotulppa pistorasiasta ja/tai irrota akku (jos irrotettava) sähkötyökalusta, ennen kuin suoritat säätöjä, vaihdat tarvikkeita tai viet sähkötyökalun varastoon.** Nämä turvatoimenpiteet pienentävät sähkötyökalun tahattoman käynnistysriskin.
- d) **Säilytä sähkötyökalut poissa lasten ulottuvilta, kun niitä ei käytetä. Älä anna sellaisten henkilöiden käyttää sähkötyökalua, jotka eivät tunne sitä tai jotka eivät ole lukueneet tätä käyttöohjetta.** Sähkötyökalut ovat vaarallisia, jos niitä käyttävät kokemattomat henkilöt.
- e) **Pidä sähkötyökalut ja tarvikkeet hyvässä kunnossa. Tarkista, että liikkuvat osat toimivat moitteettomasti, eivätkä ole puristuksessa sekä, että siinä ei ole murtuneita tai vahingoittuneita osia, jotka saattaisivat vaikuttaa haitallisesti sähkötyökalun toimintaan. Anna korjauttaa mahdolliset viat ennen käyttöönottoa.** Monen tapaturman syyt löytyvät huonosti huolletuista laitteista.
- f) **Pidä leikkausterät terävinä ja puhtaina.** Huolellisesti hoidetut leikkaustyökalut, joiden leikkausreunat ovat teräviä, eivät tartu helposti kiinni ja niitä on helpompi hallita.
- g) **Käytä sähkötyökaluja, tarvikkeita, vaihtotyökaluja jne. näiden ohjeiden mukaisesti. Ota tällöin huomioon työolosuhteet ja suoritettava toimenpide.** Sähkötyökalun käyttö muuhun kuin sille määrättyyn käyttöön, saattaa johtaa vaarallisiin tilanteisiin.
- h) **Pidä kahvat ja kädensijat kuivina ja puhtaina (öljyttöminä ja rasvattomina).** Jos kahvat ja kädensijat ovat liukkaita, et pysty yllättävissä tilanteissa ohjaamaan ja hallitsemaan työkalua turvallisesti.

- 5) **AKKUKÄYTTÖISTEN SÄHKÖTYÖKALUJEN KÄYTTÖ JA HOITO**
- a) **Lataa akku vain valmistajan määräämässä latauslaitteessa.** Latauslaite, joka soveltuu määrätyn tyyppiselle akulle, saattaa muodostaa tulipalovaaran erilaista akkua ladattaessa.
- b) **Käytä sähkötyökalussa ainoastaan kyseiseen sähkötyökaluun tarkoitettua akkua.** Jonkun muun akun käyttö saattaa johtaa loukkaantumiseen ja tulipaloon.
- c) **Pidä irrallista akkua loitolla metalliesineistä, kuten paperinliittimistä, kolikoista, avaimista, nauloista, ruuveista tai muista pienistä metalliesineistä, jotka voivat oikosulkea akun koskettimet.** Akkukoskettimien välinen oikosulku saattaa aiheuttaa palovammoja tai johtaa tulipaloon.
- d) **Väärästä käytöstä johtuen saattaa akusta vuotaa nestettä, jota ei tule koskettaa. Jos nestettä vahingossa joutuu iholle, huuhtelee kosketuskohta vedellä. Jos nestettä pääsee silmiin, tarvitaan tämän lisäksi lääkärin apua.** Akusta vuotava neste saattaa aiheuttaa ärsytystä ja palovammoja.
- e) **Älä käytä akkua tai työkalua, joka on vioittunut tai johon on tehty muutoksia.** Jos akut ovat vioittuneet tai niihin on tehty muutoksia, ne voivat toimia ennalta arvaamattomasti ja aiheuttaa tulipalon, räjähdyksen tai loukkaantumisvaaran.
- f) **Älä altista akkua tai työkalua tulelle tai äärimmäisille lämpötiloille.** Tullelle tai yli 130°C asteen lämpötilalle altistaminen saattaa aiheuttaa räjähdyksen.
- g) **Noudata latausohjeita ja lataa akku tai työkalu ohjeenmukaisen lämpötila-alueen rajoissa.** Lataaminen virheellisesti tai ohjeiden vastaisessa lämpötilassa saattaa vaurioittaa akkua ja lisätä palovaaraa.
- 6) **HUOLTO**
- a) **Anna koulutettujen ammattihenkilöiden korjata sähkötyökalusi ja hyväksy korjauksiin vain alkuperäisiä**

varaosia. Täten varmistat, että sähkötyökalu säilyy turvallisena.

- b) **Älä missään tapauksessa yritä itse korjata vaurioituneita akkuja.** Akkuja saa korjata vain valmistaja tai valtuutettu huoltopiste.

AKKURUUVINVÄÄNTIMEN TURVALLISUUSOHJEET

YLEISTÄ

- **Älä koskaan työstä asbestipitoista ainetta** (asbestia pidetään karsinogeenisena)
- Materiaaleista, kuten lyijypitoinen maali, jotkut puulajit, mineraalit ja metalli, tuleva pöly voi olla vahingollista (kosketuksiin joutuminen pölyn kanssa tai sen sisään hengittäminen voi aiheuttaa käyttäjälle tai sivustakatsojille allergiareaktioita ja/tai hengitysvaivoja); **käytä pölynaamaria ja työskentele pölynpoistolaitteen kanssa, kun sellainen on liitettävissä**
- Tietyn tyyppiset pölyt on luokiteltu karsinogeenisiksi (kuten tammi- ja pyökkipöly) erityisesti puun käsittelyyn käytettävien lisäaineiden yhteydessä; **käytä pölynaamaria ja työskentele pölynpoistolaitteen kanssa, kun sellainen on liitettävissä**
- Noudata maakohtaisia pölyyn liittyviä sääntöjä
- Suojele konettasi/latauslaitetta sateelta
- Älä pura itse latauslaitetta tai konettasi
- Varmista, että kytkin E ② on keskellä (lukitus)asennossa, ennen kuin suoritat säätöjä, vaihdat tarvikkeita tai siirrä koneen varastoitavaksi

LATAAMINEN/AKKU

- Käytä vain tämän työkalun kanssa SKIL-latauslaitetta 2610Z07379
- **Lapset 8-vuotiaat ja sitä vanhemmat ja henkilöt, jotka rajoitteisten fyysisten,**

**aistillisten
tai henkisten
kykyjensä, koke-
mattomuutensa
tai tietämättö-
myytensä takia
eivät turvallisesti
voi käyttää
latauslaitetta, eivät
saa käyttää sitä
ilman vastuullisen
henkilön valvontaa
tai neuvontaa**
(muutoin syntyy
virheellisen käytön
ja onnettomuuksien
vaara)

• **Pidä lapsia silmällä**
(täten varmistat,
että lapset eivät
leiki latauslaitteen
kanssa)

• **Lapset eivät
saa puhdistaa
tai huoltaa
latauslaitetta ilman
valvontaa**

- Älä käytä vahingoittunutta latauslaitetta
- Sallittu ympäristön lämpötila (työkalu/ latauslaite/akku):
 - ladattaessa 4...40°C
 - käytössä -20...+50°C
 - varastoinnissa -20...+50°C

VARUSTEET

- SKIL pystyy takaamaan työkalun moitteettoman toiminnan vain, kun käytetään alkuperäisiä tarvikkeita

ENNEN KÄYTTÖÄ

- Tarkista aina, että syöttöjännite on sama kuin latauslaitteen nimiltaan osoittama jännite
- Vältä vaaralliset vahingot, jotka voivat aiheutua nauloista, ruuveista tai muista aineista työstettävässä materiaalissa; poista ne ennen työskentelyn aloittamista
- **Kiinnitä työstettävä kappale** (kiinnittimeen tai puristimeen kiinnitetty työstettävä kappale pysyy tukevammin paikoillaan kuin käsin pidettäessä)
- **Käytä sopivia etsintälaitteita piilossa olevien syöttöjohtojen paikallistamiseksi, tai käänny paikallisen jakeluyltiön puoleen** (kosketus sähköjohtoon saattaa johtaa tulipaloon ja sähköiskuun; kaasuputken vahingoittaminen saattaa johtaa räjähdykseen; vesijohtoon tunkeutuminen aiheuttaa aineellista vahinkoa tai saattaa johtaa sähköiskuun)

KÄYTÖN AIKANA

- **Tartu sähkötyökaluun ainoastaan eristetyistä pinoista, tehdessäsi työtä, jossa vaihtotyökalu tai ruuvi saattaisi osua piilossa olevaan sähköjohtoon** (kosketus jännitteiseen johtoon voi saattaa sähkötyökalun metalliosat jännitteisiksi ja johtaa sähköiskuun)
- Jos huomaat sähköisen tai mekaanisen vian, sammuta kone heti tai irrota latauslaite ajaksi pistorasiasta

TYÖKALUN/LATURIN SYMBOLIEN SELITYKSET

- ③ Lue käyttöohjeet ennen käyttöä
- ④ Käytä laturia vain sisätiloissa
- ⑤ Kaksoiseristys (ei tarvita maajohtoa)
- ⑥ Latauskytkennän väärä napaisuus voi aiheuttaa vaaran (lataa akku ainoastaan mukana tulevalla laturilla)
- ⑦ Älä hävitä sähkötyökalua ja paristoja tavallisen kotitalousjätteen mukana

KÄYTTÖ

- Akun lataus ⑧
 - ! uusi tai kauan käyttämättä ollut akku saavuttaa täyden tehonsa vasta n. 5 lataus-purkausjakson jälkeen
 - liitä laturi A sekä seinäpistokkeeseen että liitäntään B
 - merkki C syttyy VIHREÄKSI, kun akku latautuu
 - kun akku on ladattu täyteen, merkki C sammuu (noin 3 tunnin kuluttua)
 - litiumioniakku voidaan ladata milloin tahansa (latauksen keskeyttäminen ei vahingoita akkua)
 - litiumioniakun ei tarvitse olla tyhjä ennen lataamista (ei "vaikutusta muistiin" kuten nikkelikadmiumakuissa)
 - työkalua ei voi käyttää latauksen aikana; siinä ei ole vikaa, kun se ei toimi latauksen aikana
 - jos on odotettavissa, että työkalua ei käytetä pitkään aikaan, on parasta irrottaa latauslaite virtalähteestä
- Käynnistys/pysäytys ⑨
- Pyörintäsuunnan vaihto ⑩
 - jos säätöä ei ole oikein asetettu vasen/oikea -asentoon, kytkintä D ② ei voi käynnistää
 - ! muuta pyörintäsuuntaa vain kun työkalu on täysin pysäytettynä
- Kärkien vaihto ⑪
 - aseta kärki mahdollisimman syvälle kärjenpidikkeen G
 - ! älä käytä kärkiä, joiden varsi on vahingoittunut
- Automaattinen karalukitus Mahdollistaa ruuvaamisen käsin, jos tarpeellista ⑫
- Ledivalo ⑬
 - LED-valo H syttyy automaattisesti, kun kytkin D aktivoidaan, vaikka kytkin E olisi keskiasennossa (lukitusasennossa)
- Kärkien säilytys J ②
 - Voit säilyttää etuosassa 2 kärkeä
- Akun lataustilan merkkivalo Jos merkki C ② puoleen väliin painetulla kytkimellä D ② syttyy PUNAISENA, akun kapasiteetti on alle 30% ja se tulee ladata
- Kaksi kädensijan asentoa ⑭
- Akun suojaus

Katkaisee työkalusta automaattisesti virran, kun akun lämpötila nousee liian korkeaksi (> +65°C)
litiumioniakku on lähes tyhjä (akun suojaamiseksi syvätyhjenemiseltä)

VINKKEJÄ

- Käytä oikeantyyppisiä kärkiä ⑮
 - ! älä käytä vahingoittuneita kärkiä
 - ! käytä vain kuusiokanta-kiinnityksellä varustettuja kärkiä
- Kun ruuvi väännetään lähelle puun reunaa, pitää porata esireikä ruuvia varten, jotta estetään puun halkeaminen
- Jotta laitteesta saataisiin mahdollisimman suuri hyöty, ruuvia on painettava tasaisesti, varsinkin ruuvia irrotettaessa
- Väännettäessä ruuveja kovaan puuhun tulisi ensin porata esireikä
- Lisätietoja on tarjolla web-osoitteessa www.skil.com

HOITO / HUOLTO

- Tätä työkalua ei ole tarkoitettu ammattikäyttöön
- Pidä koneesi ja latauslaite puhtaana
 - ! irrota latauslaite aina puhdistuksen ajaksi pistorasiasta
- Jos sähkötyökalussa/latauslaitteessa, huolellisesta valmistuksesta ja koestusmenettelystä huolimatta esiintyy vikaa, tulee korjaus antaa SKIL sopimushuollon tehtäväksi
 - toimita työkalu tai latauslaite sitä osiin **purkamatta** lähimpään SKIL-huoltoon (osoitteet ja työkalun huoltokaava ovat tarjolla web-osoitteessa www.skil.com) ostotodiste mukaan liitettynä
- Ota huomioon, että takuu ei kata työkalun ylikuormituksesta tai väärästä käsittelystä johtuvia vahinkoja (katso SKILin takuuehdot osoitteesta www.skil.com tai kysy jälleenmyyjältä)

YMPÄRISTÖNSUOJELU

- Älä hävitä sähkötyökalua, tarvikkeita tai pakkausta tavallisen

kotitalousjätteen mukana (koskee vain EU-maita)

- vanhoja sähkö- ja elektroniikkalaitteita koskevan EU-direktiivin 2012/19/ETY ja sen maakohtaisten sovellusten mukaisesti käytetyt sähkötyökalut on toimitettava ongelmajätteen keräyspisteeseen ja ohjattava ympäristöystävälliseen kierrätykseen
- symboli ⑦ muistuttaa tästä, kun käytöstä poisto tulee ajankohtaiseksi

! poista akut ennen työkalun hävittämistä

- Akkujen poisto/hävittäminen ⑩

! poista akut vain, jos ne ovat täysin tyhjä

- vältä oikosulku suojaamalla akun navat paksulla teipillä
- heitä akut hyväksytyyn akkujen keräyspaikkaan

! akut räjähtävät, jos ne hävitetään polttamalla, joten älä missään tapauksessa polta niitä

MELU / TÄRINÄ

- Mitattuna EN 60745 mukaan työkalun melutaso on <70 dB(A) (keskihajonta: 3 dB) ja värinän voimakkuus <2,5 m/s² (kolmen suunnan vektorisumma; epävarmuus K = 1,5 m/s²)
 - Tärinäsaateilytaso on mitattu standardin EN 60745 mukaisen standarditestin mukaisesti; sitä voidaan käyttää verrattaessa yhtä laitetta toiseen sekä alustavana tärinälle altistumisen arviona käytettäessä laitetta manituissa käyttötarkoituksissa
 - laitteen käyttö eri käyttötarkoituksiin tai erilaisten tai huonosti ylläpidettyjen lisälaitteiden kanssa voi **lisätä** merkittävästi altistumistasoa
 - laitteen ollessa sammuksissa tai kun se on käynnissä, mutta sillä ei tehdä työtä, altistumistaso voi olla huomattavasti **pienempi**
- ! suojaudu värinän vaikutuksilta ylläpitämällä laite ja sen lisävarusteet, pitämällä kädet lämpiminä ja järjestämällä työmenetelmät**

E

Destornillador sin cable 2710

INTRODUCCIÓN

- Esta herramienta con giro a derecha/izquierda ha sido diseñada para atornillar y preperforar en madera
- Esta herramienta no está concebida para uso profesional
- Lea y conserve este manual de instrucciones ③

DATOS TÉCNICOS ①

Par de giro máx. en unión atornillada rígida según ISO 5393 : 7Nm

ELEMENTOS DE LA HERRAMIENTA ②

- A** Cargador
- B** Contacto del cargador
- C** Indicador del nivel de carga de la batería
- D** Interruptor de activación/desactivación
- E** Interruptor para invertir la dirección de giro
- F** Mando de desbloqueo del pivote
- G** Portabrocas magnético
- H** Luz LED
- J** Depósito de brocas

SEGURIDAD

ADVERTENCIAS DE PELIGRO GENERALES PARA HERRAMIENTAS ELÉCTRICAS

⚠ ADVERTENCIA Lea todas las advertencias de seguridad, instrucciones, ilustraciones y especificaciones entregadas con esta herramienta eléctrica. El incumplimiento de alguna de las instrucciones que figuran a continuación puede ser causa de descargas eléctricas, incendios o lesiones graves.

Guardar todas las advertencias de peligro e instrucciones para futuras consultas.

El término “herramienta eléctrica” empleado en las siguientes advertencias de peligro se refiere a herramientas eléctricas de conexión a la red (con cable de red) y a herramientas eléctricas accionadas por acumulador (o sea, sin cable de red).

1) SEGURIDAD DEL PUESTO DE TRABAJO

- a) **Mantenga limpia y bien iluminada su área de trabajo.** El desorden o una iluminación deficiente en las áreas de trabajo pueden provocar accidentes.
 - b) **No utilice la herramienta eléctrica en un entorno con peligro de explosión, en el que se encuentren combustibles líquidos, gases o material en polvo.** Las herramientas eléctricas producen chispas que pueden llegar a inflamar los materiales en polvo o vapores.
 - c) **Mantenga alejados a los niños y otras personas de su área de trabajo al emplear la herramienta eléctrica.** Una distracción le puede hacer perder el control sobre la herramienta.
- ### 2) SEGURIDAD ELÉCTRICA
- a) **El enchufe de la herramienta eléctrica debe corresponder a la toma de corriente utilizada. No es admisible modificar el enchufe en forma alguna. No emplear adaptadores en herramientas eléctricas dotadas con una toma de tierra.** Los enchufes sin modificar adecuados a las respectivas tomas de corriente reducen el riesgo de una descarga eléctrica.
 - b) **Evite que su cuerpo toque partes conectadas a tierra como tuberías, radiadores, cocinas y refrigeradores.** El riesgo a quedar expuesto a una descarga eléctrica es mayor si su cuerpo tiene contacto con tomas de tierra.
 - c) **No exponga las herramientas eléctricas a la lluvia o a condiciones de humedad.** Existe el peligro de recibir una descarga eléctrica si penetran líquidos en la herramienta eléctrica.

- d) **No utilice el cable de red para transportar o colgar la herramienta eléctrica, ni tire de él para sacar el enchufe de la toma de corriente. Mantenga el cable de red alejado del calor, aceite, esquinas cortantes o piezas móviles.** Los cables de red dañados o enredados pueden provocar una descarga eléctrica.
 - e) **Al trabajar con la herramienta eléctrica en la intemperie utilice solamente cables de prolongación homologados para su uso en exteriores.** La utilización de un cable de prolongación adecuado para su uso en exteriores reduce el riesgo de una descarga eléctrica.
 - f) **Si el funcionamiento de una herramienta eléctrica en un lugar húmedo fuese inevitable, utilice un cortacircuito de fuga a tierra.** El uso de un cortacircuito de fuga a tierra reduce el riesgo de descarga eléctrica.
- ### 3) SEGURIDAD DE PERSONAS
- a) **Esté atento y emplee la herramienta eléctrica con prudencia. No utilice la herramienta eléctrica si estuviese cansado, ni bajo los efectos de alcohol, drogas o medicamentos.** El no estar atento durante el uso de una herramienta eléctrica puede provocarle serias lesiones.
 - b) **Utilice un equipo de protección personal y en todo caso unas gafas de protección.** El riesgo a lesionarse se reduce considerablemente si, dependiendo del tipo y la aplicación de la herramienta eléctrica empleada, se utiliza un equipo de protección adecuado como una mascarilla antipolvo, zapatos de seguridad con suela antideslizante, casco, o protectores auditivos.
 - c) **Evite una puesta en marcha fortuita. Asegurarse de que la herramienta eléctrica esté desconectada antes de conectarla a la toma de corriente y/o al montar el acumulador, al recogerla, y al transportarla. Si**

transporta la herramienta eléctrica sujetándola por el interruptor de conexión/desconexión, o si introduce el enchufe en la toma de corriente con la herramienta eléctrica conectada, ello puede dar lugar a un accidente.

- d) **Retire las herramientas de ajuste o llaves fijas antes de conectar la herramienta eléctrica.** Una herramienta o llave colocada en una pieza rotativa puede producir lesiones graves al accionar la herramienta eléctrica.
 - e) **Sea precavido. Trabaje sobre una base firme y mantenga el equilibrio en todo momento.** Ello le permitirá controlar mejor la herramienta eléctrica en caso de presentarse una situación inesperada.
 - f) **Lleve puesta una vestimenta de trabajo adecuada. No utilice vestimenta amplia ni joyas. Mantenga su pelo y vestimenta alejados de las piezas móviles.** La vestimenta suelta, las joyas y el pelo largo se pueden enganchar con las piezas en movimiento.
 - g) **Siempre que sea posible utilizar equipos de aspiración o captación de polvo, asegúrese que éstos estén montados y que sean utilizados correctamente.** El empleo de estos equipos reduce los riesgos derivados del polvo.
 - h) **No permita que la familiaridad ganada por el uso frecuente de la herramienta eléctrica lo deje creerse seguro e ignorar las normas de seguridad.** Una acción negligente puede causar lesiones graves en una fracción de segundo.
- 4) CUIDADO Y UTILIZACIÓN DE HERRAMIENTAS ELÉCTRICAS**
- a) **No sobrecargue la herramienta eléctrica. Use la herramienta eléctrica prevista para el trabajo a realizar.** Con la herramienta eléctrica adecuada podrá trabajar mejor y con mayor seguridad dentro del margen de potencia indicado.
 - b) **No utilice herramientas eléctricas con un interruptor defectuoso.** Las herramientas eléctricas que no se puedan conectar o desconectar son

peligrosas y deben repararse.

- c) **Saque el enchufe de la red y/o retire el acumulador desmontable de la herramienta eléctrica, antes de realizar un ajuste, cambiar de accesorio o al guardar la herramienta eléctrica.** Esta medida preventiva reduce el riesgo de conectar accidentalmente la herramienta eléctrica.
- d) **Guarde las herramientas eléctricas fuera del alcance de los niños y de las personas que no estén familiarizadas con su uso.** Las herramientas eléctricas utilizadas por personas inexpertas son peligrosas.
- e) **Cuide la herramienta eléctrica y los accesorios con esmero. Controle si funcionan correctamente, sin atascarse, las partes móviles de la herramienta eléctrica, y si existen partes rotas o deterioradas que pudieran afectar al funcionamiento de la herramienta eléctrica. Si la herramienta eléctrica estuviese defectuosa haga repararla antes de volver a utilizarla.** Muchos de los accidentes se deben a herramientas eléctricas con un mantenimiento deficiente.
- f) **Mantenga los útiles limpios y afilados.** Los útiles mantenidos correctamente se dejan guiar y controlar mejor.
- g) **Utilice herramientas eléctricas, accesorios, útiles, etc. de acuerdo con estas instrucciones, teniendo en cuenta las condiciones de trabajo y la tarea a realizar.** El uso de herramientas eléctricas para trabajos diferentes de aquellos para los que han sido concebidas puede resultar peligroso.
- h) **Mantenga las empuñaduras y las superficies de las empuñaduras secas, limpias y libres de aceite y grasa.** Las empuñaduras y las superficies de las empuñaduras resbaladizas no permiten un manejo y control seguro de la herramienta eléctrica en situaciones imprevistas.

5) CUIDADO Y UTILIZACIÓN DE HERRAMIENTAS ACCIONADAS POR ACUMULADOR

- a) **Cargue los acumuladores únicamente con los cargadores recomendados por el fabricante.** Existe riesgo de incendio al intentar cargar acumuladores de un tipo diferente al previsto para el cargador.
- b) **Emplee únicamente los acumuladores previstos para la herramienta eléctrica.** El uso de otro tipo de acumuladores puede provocar daños e incluso un incendio.
- c) **Si no utiliza el acumulador, guárdelo separado de clips, monedas, llaves, clavos, tornillos o demás objetos metálicos que pudieran puentear sus contactos.** El cortocircuito de los contactos del acumulador puede causar quemaduras o un incendio.
- d) **La utilización inadecuada del acumulador puede provocar fugas de líquido. Evite el contacto con él. En caso de un contacto accidental enjuagar el área afectada con abundante agua. En caso de un contacto con los ojos recurra además inmediatamente a un médico.** El líquido del acumulador puede irritar la piel o producir quemaduras.
- e) **No emplee acumuladores o útiles dañados o modificados.** Los acumuladores dañados o modificados pueden comportarse en forma imprevisible y producir un fuego, explosión o peligro de lesión.
- f) **No exponga un acumulador o una herramienta eléctrica al fuego o a una temperatura demasiado alta.** La exposición al fuego o a temperatura sobre 130°C puede causar una explosión.
- g) **Siga todas las instrucciones para la carga y no cargue nunca el acumulador o la herramienta eléctrica a una temperatura fuera del margen correspondiente especificado en las instrucciones.** Una carga inadecuada o a temperaturas fuera del margen especificado puede dañar el acumulador y aumentar el riesgo de incendio.

6) SERVICIO

- a) **Únicamente haga reparar su herramienta eléctrica por un profesional, empleando exclusivamente piezas de repuesto originales.** Solamente así se mantiene la seguridad de la herramienta eléctrica.
- b) **No repare los acumuladores dañados.** El entretenimiento de los acumuladores sólo debe ser realizado por el fabricante o un servicio técnico autorizado.

INSTRUCCIONES DE SEGURIDAD PARA ATORNILLADORES SIN CABLE

GENERAL

- **No trabaje materiales que contengan amianto** (el amianto es cancerígeno)
- El polvo del material, como la pintura que contiene plomo, algunas especies de madera, minerales y metal podrían ser dañinos (el contacto o inhalación del polvo podría producir reacciones alérgicas y trastornos respiratorios al operador o a otras personas que se encontrasen en la zona); **utilice una máscara contra el polvo y trabaje con un dispositivo de extracción de polvo cuando lo conecte**
- Ciertos tipos de polvo están catalogados como cancerígenos (por ejemplo el polvo de roble y de haya) especialmente junto con aditivos para el acondicionamiento de la madera; **utilice una máscara contra el polvo y trabaje con un dispositivo de extracción de polvo cuando lo conecte**
- Siga la normativa nacional en cuanto a extracción de polvo, en función de los materiales que vayan a ser utilizados
- No exponga la herramienta/cargador a la lluvia
- No desarme el cargador o la herramienta
- Cerciorarse de que el interruptor E ② está en la posición central (posición de bloqueo) antes de

realizar ajustes en la herramienta o un cambio de accesorios así como para el transporte o para guardar la herramienta

RECARGA/BATERÍAS

- Utilice solo el cargador 2610Z07379 de SKIL con esta herramienta

- **Este cargador puede ser utilizado por niños desde 8 años y por personas con limitadas capacidades físicas, sensoriales e intelectuales o con falta de experiencia y conocimientos siempre y cuando estén vigilados por una persona responsable de su seguridad o hayan sido instruidos en la utilización segura del cargador y entendido los peligros inherentes** (en caso contrario, existe el peligro de un manejo erróneo y lesiones)

- **Vigile a los niños** (con ello se evita que los niños jueguen con el cargador)

- **Los niños no deberán realizar trabajos de limpieza ni de mantenimiento en el cargador sin la debida vigilancia**

- No utilice el cargador si está dañado
- Temperatura ambiente permitida (herramienta/cargador/batería):
 - durante la carga 4...40°C
 - durante el servicio -20...+50°C
 - durante el almacenamiento -20...+50°C

ACCESORIOS

- SKIL únicamente puede garantizar un funcionamiento correcto de la herramienta al emplear accesorios originales

ANTES DEL USO

- Compruebe siempre que la tensión de alimentación es la misma que la indicada en la placa de características del cargador
- Evite los daños que puedan causar los tornillos, clavos y otros objetos sobre la pieza de trabajo; retírelos antes de empezar a trabajar
- **Asegure la pieza de trabajo** (una pieza de trabajo fijada con unos dispositivos de sujeción o en un tornillo de banco, se mantiene sujeta de forma mucho más segura que con la mano)
- **Utilice aparatos de detección adecuados para localizar posibles conductores o tuberías ocultas, o consulte a su compañía abastecedora** (el contacto con conductores eléctricos puede provocar una descarga eléctrica e incluso un incendio; al dañar una tubería de gas puede producirse

una explosión; la perforación de una tubería de agua pueden causar daños materiales o una descarga eléctrica)

DURANTE EL USO

- **Sujete la herramienta eléctrica por las superficies de agarre aisladas al realizar trabajos en los que el accesorio o el tornillo pueda tocar conductores eléctricos ocultos** (el contacto con conductores bajo tensión puede hacer que las partes metálicas de la herramienta eléctrica le provoquen una descarga eléctrica)
- En caso de un mal funcionamiento eléctrico o mecánico se debe parar inmediatamente la herramienta o desenchufar el cargador de la red

EXPLICACIÓN DE SÍMBOLOS DE HERRAMIENTA/CARGADOR

- ③ Lea el manual de instrucciones antes de utilizarla
- ④ Sólo utilice el cargador dentro de la casa
- ⑤ Doble aislamiento (no requiere cable de tierra)
- ⑥ Una polaridad incorrecta en la conexión del cargador podría causar daños (sólo cargue la batería con el cargador suministrado)
- ⑦ No deseche las herramientas eléctricas y las pilas junto con los residuos domésticos

USO

- Recargue de la batería ⑧
! una batería nueva o que no haya sido usada durante largo tiempo alcanza su plena potencia después de aproximadamente 5 ciclos de carga/descarga
 - conecte el cargador A en el tomacorrientes y en el contacto B
 - el indicador C se ilumina de color VERDE indicando que se está cargando la batería
 - cuando la batería esté totalmente cargada, el indicador C se apagará (después de aproximadamente 3 horas)
 - la batería de ion-litio se puede cargar en cualquier momento (la interrupción del procedimiento de carga no daña la batería)
 - no es preciso que esté descargada

la batería de ion-litio antes de cargarla (no existe "efecto memoria" como ocurre con las baterías de níquel-cadmio)

- la herramienta no puede utilizarse mientras ésta se esté cargando, y no es por lo tanto síntoma de defecto si, en este caso, no funciona
- si prevé largos periodos de inactividad de la herramienta, sería conveniente desenchufar el cargador de la red
- Encendido/apagado ⑨
- Inversión de la dirección de giro ⑩
 - si el inversor de giro no está adecuadamente colocado en la posición izquierda/derecha, el interruptor D ② no podrá ser activado
- ! **sólo invierta la dirección de giro cuando la herramienta esté completamente parada**
- Cambio de brocas ⑪
 - empuje la broca hacia la posición final en el portabrocas G
- ! **no utilice brocas con un mago deteriorado**
- Bloqueo automático del eje
Le permitirá, si es necesario, apretar o aflojar manualmente los tornillos ⑫
- Luz LED ⑬
La luz LED H se ilumina automáticamente cuando se activa el interruptor D, incluso si el interruptor E está en la posición media (bloqueo)
- Depósito de brocas J ②
Ofrece almacenamiento de 2 brocas en la parte frontal
- Indicador del nivel de carga de la batería
Si al presionar hasta la mitad el interruptor D ② el indicador C ② se ilumina de color ROJO, ello indica que la capacidad de la batería es inferior a un 30% y debe recargarse
- Dos posiciones de la empuñadura ⑭
- Protección de la batería
Desconecta la herramienta automáticamente cuando la temperatura de la batería alcanza un valor muy elevado (> +65°C)
la batería de ion-litio se encuentra casi vacía (para su protección frente a una descarga intensa)

CONSEJOS DE APLICACIÓN

- Utilice las brocas adecuadas ⁽¹⁵⁾
! no utilice brocas dañadas
! utilice únicamente brocas con inserción hexagonal
- Taladrar de antemano un agujero para poder atornillar en/cerca o al lado de la madera para prevenir la rotura de ésta
- Para un uso óptimo de su herramienta es necesaria una presión constante sobre el tornillo ante todo en la extracción del mismo
- Cuando atornille en madera dura realice un pequeño agujero previamente
- Si desea más información, visite www.skil.com

MANTENIMIENTO / SERVICIO

- Esta herramienta no está concebida para uso profesional
- Mantenga su herramienta y el cargador limpios
! antes de limpiar el cargador desenchufarlo de la red
- Si a pesar de los esmerados procesos de fabricación y control, la herramienta/el cargador llegase a averiarse, la reparación deberá encargarse a un servicio técnico autorizado para herramientas eléctricas SKIL
 - envíe la herramienta o el cargador **sin desmontar** junto con una prueba de su compra a su distribuidor o a la estación de servicio más cercana de SKIL (los nombres así como el despiece de piezas de la herramienta figuran en www.skil.com)
- Tenga presente que los daños debido a sobrecargas o al manejo inadecuado de la herramienta serán excluidos de la garantía (consulte las condiciones de garantía de SKIL en www.skil.com o consulte a su distribuidor)

AMBIENTE

- **No deseche las herramientas eléctricas, los accesorios y**

embalajes junto con los residuos domésticos (sólo para países de la Unión Europea)

- de conformidad con la Directiva Europea 2012/19/CE sobre residuos de aparatos eléctricos y electrónicos y su aplicación de acuerdo con la legislación nacional, las herramientas eléctricas cuya vida útil haya llegado a su fin se deberán recoger por separado y trasladar a una planta de reciclaje que cumpla con las exigencias ecológicas
- símbolo ⁽⁷⁾ llamará su atención en caso de necesidad de tirarlas
- ! quite las pilas antes de desechar la herramienta**
- Retirando/desechando de las pilas ⁽¹⁶⁾
! quite las pilas solamente si están completamente agotadas
 - proteja los terminales de las pilas con cinta aislante para evitar cortocircuitos
 - deshágase de las pilas en un punto de recogida oficial de pilas**! las baterías estallarán si se tiran al fuego, por ningún motivo caliente las baterías**

RUIDOS / VIBRACIONES

- Medido según EN 60745 el nivel de la presión acústica de esta herramienta se eleva a <70 dB(A) (desviación estándar: 3 dB) y la vibración a <2,5 m/s² (suma vectorial de tres direcciones; incertidumbre K = 1,5 m/s²)
- El nivel de emisión de vibraciones ha sido medido según una prueba estándar proporcionada en EN 60745; puede utilizarse para comparar una herramienta con otra y como valoración preliminar de la exposición a las vibraciones al utilizar la herramienta con las aplicaciones mencionadas
 - al utilizarla para distintas aplicaciones o con accesorios diferentes o con un mantenimiento deficiente, podría **augmentar** de forma notable el nivel de exposición
 - en las ocasiones en que se apaga la herramienta o cuando

está funcionando pero no está realizando ningún trabajo, se podría **reducir** el nivel de exposición de forma importante

- !** **protéjase contra los efectos de la vibración realizando el mantenimiento de la herramienta y sus accesorios, manteniendo sus manos calientes y organizando sus patrones de trabajo**



P

Aparafusadora sem fio 2710

INTRODUÇÃO

- A ferramenta com rotação esquerda/direita é determinada para aparafusar e pré-furar em madeira
- Esta ferramenta não se destina a utilização profissional
- Leia e guarde este manual de instruções ③

DADOS TÉCNICOS ①

Máx. binário de aparafusamento duro conforme ISO 5393 : 7Nm

ELEMENTOS DA FERRAMENTA

②

- A Carregador
- B Contacto do carregador
- C Indicador do nível de carregamento da bateria
- D Interruptor para ligar/desligar
- E Comutador para inverter o sentido da rotação
- F Botão de desbloqueio do eixo
- G Suporte das pontas magnético
- H Luz LED
- J Armazenamento de pontas

SEGURANÇA

INDICAÇÕES GERAIS DE SEGURANÇA PARA FERRAMENTAS ELÉTRICAS

! **AVISO** Leia todos os avisos de segurança, instruções, ilustrações e especificações fornecidas com esta ferramenta eléctrica. O incumprimento de todas as instruções enumeradas abaixo poderá resultar em choque eléctrico, incêndio e/ou lesão grave.

Guarde bem todas as advertências e instruções para futura referência.

O termo “ferramenta eléctrica” utilizado a seguir nas indicações de advertência, refere-se a ferramentas eléctricas operadas com corrente de rede (com cabo de rede) e a ferramentas eléctricas operadas com acumulador (sem cabo de rede).

1) SEGURANÇA DA ÁREA DE TRABALHO

- a) **Mantenha a sua área de trabalho limpa e arrumada.** Desordem ou áreas de trabalho com fraca iluminação podem causar acidentes.
- b) **Não trabalhar com a ferramenta eléctrica em áreas com risco de explosão, nas quais se encontrem líquidos, gases ou pós inflamáveis.** Ferramentas eléctricas produzem faíscas que podem provocar a ignição de pó e vapores.
- c) **Mantenha crianças e outras pessoas afastadas da ferramenta eléctrica durante o trabalho com a ferramenta.** Distrações podem causar a falta de controlo sobre o aparelho.

2) SEGURANÇA ELÉTRICA

- a) **As fichas das ferramentas eléctricas devem caber na tomada. A ficha não deve ser modificada de modo algum. Não utilize quaisquer fichas de adaptação junto com ferramentas eléctricas ligadas à terra.** Fichas sem modificações e tomadas adequadas reduzem o risco de choques eléctricos.

- b) **Evite que o corpo entre em contacto com superfícies ligadas à terra, como por exemplo tubos, radiadores, fogões e geladeiras.** Há um risco elevado de choques eléctricos, caso o corpo for ligado à terra.
- c) **A ferramenta eléctrica não deve ser exposta à chuva nem humidade.** A penetração de água na ferramenta eléctrica aumenta o risco de choques eléctricos.
- d) **O cabo do aparelho não deve ser utilizado para o transporte, para pendurar o aparelho, nem para puxar a ficha da tomada. Mantenha o cabo afastado de calor, óleo, cantos afiados ou partes em movimento do aparelho.** Cabos danificados ou torcidos aumentam o risco de choques eléctricos.
- e) **Ao trabalhar com a ferramenta eléctrica ao ar livre, use um cabo de extensão apropriado para áreas externas.** O uso de um cabo apropriado para áreas externas reduz o risco de choques eléctricos.
- f) **Se não for possível evitar o funcionamento da ferramenta eléctrica em áreas húmidas, deverá ser utilizado um disjuntor de corrente de avaria.** A utilização de um disjuntor de corrente de avaria reduz o risco de um choque eléctrico.
- 3) SEGURANÇA DE PESSOAS**
- a) **Esteja alerta, observe o que está a fazer, e tenha prudência ao trabalhar com a ferramenta eléctrica. Não use a ferramenta eléctrica se estiver fatigado ou sob a influência de drogas, álcool ou medicamentos.** Um momento de falta de atenção durante a operação da ferramenta eléctrica pode causar graves lesões.
- b) **Utilizar equipamento de protecção pessoal e sempre óculos de protecção.** A utilização de equipamento de protecção pessoal, como máscara de protecção contra pó, sapatos de segurança antiderrapantes, capacete de segurança ou protecção auricular, de acordo com o tipo e aplicação da ferramenta eléctrica, reduz o risco de lesões.
- c) **Evitar uma colocação em funcionamento involuntária. Assegure-se de que a ferramenta eléctrica esteja desligada, antes de conectá-la à alimentação de rede e/ou ao acumulador, antes de levantá-la ou de transportá-la.** Se tiver o dedo no interruptor ao transportar a ferramenta eléctrica ou se o aparelho for conectado à alimentação de rede enquanto estiver ligado, poderão ocorrer acidentes.
- d) **Remover chaves de ajustes ou chaves de fenda, antes de ligar a ferramenta eléctrica.** Uma chave de fenda ou chave de ajuste que se encontre numa parte móvel do aparelho, pode levar a lesões.
- e) **Não se sobrestime. Mantenha uma posição firme e mantenha sempre o equilíbrio.** Desta forma poderá ser mais fácil controlar o aparelho em situações inesperadas.
- f) **Use roupa apropriada. Não use roupa larga ou jóias. Mantenha os cabelos e roupas afastados de partes em movimento.** Roupas largas, jóias ou cabelos longos podem ser agarradas por partes em movimento.
- g) **Se for prevista a montagem de dispositivos de aspiração de pó e de dispositivos de recolha, assegure-se de que estão conectados e que sejam utilizados de forma correcta.** A utilização de uma aspiração de pó pode reduzir o perigo devido ao pó.
- h) **Não deixe que a familiaridade resultante de uma utilização frequente de ferramentas permita que você se torne complacente e ignore os princípios de segurança da ferramenta.** Uma acção descuidada pode causar ferimentos graves numa fração de segundo.
- 4) USO E TRATAMENTO DE FERRAMENTAS ELÉTRICAS**
- a) **Não sobrecarregue a ferramenta eléctrica. Use para o seu trabalho a ferramenta eléctrica correcta.** A ferramenta correcta realizará o trabalho de forma melhor e mais segura dentro da faixa de potência

indicada.

- b) **Não utilize a ferramenta eléctrica se o interruptor não puder ser ligado nem desligado.** Qualquer ferramenta eléctrica que não possa ser controlada através do interruptor de ligar-desligar, é perigosa e deve ser reparada.
- c) **Puxar a ficha da tomada e/ou remover o acumulador, se amovível, antes de executar ajustes na ferramenta, de substituir acessórios ou de guardar a ferramenta.** Esta medida de segurança evita que a ferramenta eléctrica seja ligada acidentalmente.
- d) **Guarde ferramentas eléctricas que não estiverem sendo utilizadas, for a do alcance de crianças. Não permita que o aparelho seja utilizado por pessoas não familiarizadas com o mesmo ou que não tenham lido estas instruções.** Ferramentas eléctricas são perigosas nas mãos de pessoas sem treinamento.
- e) **Trate a ferramenta eléctrica e os acessórios com cuidado. Verifique se as partes móveis do aparelho funcionam perfeitamente e não emperram, se há peças quebradas ou danificadas, que possam influenciar o funcionamento do aparelho. Peças danificadas devem ser reparadas antes da utilização do aparelho.** Muitos acidentes tem como causa uma manutenção insuficiente das ferramentas eléctricas.
- f) **Mantenha as ferramentas de corte sempre afiadas e limpas.** Ferramentas de cortes devidamente tratadas, com cantos afiados travam com menos frequência e podem ser controladas com maior facilidade.
- g) **Use a ferramenta eléctrica, os acessórios os bits da ferramenta etc., de acordo com estas instruções. Considere também as condições de trabalho e o trabalho a ser efectuado.** A utilização da ferramenta eléctrica para outros fins que os previstos, pode resultar em situações perigosas.
- h) **Mantenha os punhos e as**

superfícies de agarrar secas, limpas e livres de óleo e massa consistente. Punhos e superfícies de agarrar escorregadias não permitem o manuseio e controlo seguros da ferramenta em situações inesperadas.

- 5) **USO E TRATAMENTO DE APARELHOS COM ACUMULADOR**
 - a) **Apenas deverá carregar em carregadores, acumuladores recomendados pelo fabricante.** Um carregador que é apropriado para um tipo de acumulador, pode causar um incêndio se se for utilizado para carregar outros acumuladores.
 - b) **Apenas utilize nas ferramentas eléctricas os acumuladores previstos.** A utilização de outros acumuladores pode levar a lesões e riscos de incêndio.
 - c) **Quando o acumulador não estiver em uso, mantenha-o afastado de outros objectos de metal, como por exemplo agrafos, moedas, chaves, pregos, parafusos, ou outros pequenos objectos metálicos que possam ligar em ponte os contactos.** Um curto circuito entre os contactos do acumulador pode causar queimaduras ou incêndio.
 - d) **Aplicações inadequadas podem provocar fugas do líquido do acumulador. Evite o contacto com este líquido. No caso de um contacto acidental, lave imediatamente com água fresca. Se o líquido entrar em contacto com os olhos, procure um auxílio médico.** O líquido que escapa do acumulador pode levar a irritações ou queimaduras da pele.
 - e) **Não use um acumulador ou uma ferramenta danificada ou modificada.** Os acumuladores danificados ou modificados exibem um comportamento imprevisível podendo causar incêndio, explosão ou risco de lesão.
 - f) **Não exponha o acumulador ou a ferramenta ao fogo ou temperatura excessiva.** Exposição ao fogo ou a uma temperatura acima de 130°C pode causar explosão.
 - g) **Siga todas as instruções de**

carregamento e não carregue o acumulador ou a ferramenta fora da faixa de temperatura especificada no manual de instruções. Carregar indevidamente ou em temperaturas fora da faixa especificada pode danificar o acumulador e aumentar o risco de incêndio.

6) SERVIÇO

- a) **A sua ferramenta eléctrica só deve ser reparada por pessoal qualificado e só devem ser colocadas peças sobressalentes originais.** Desta forma é assegurada a segurança da ferramenta eléctrica.
- b) **Nunca tente reparar acumuladores danificados.** A reparação de acumuladores deve ser realizada apenas pelo fabricante ou agentes de assistência autorizados.

INSTRUÇÕES DE SEGURANÇA PARA APARAFUSADORAS SEM FIO

GENERAL

- **Não processar material que contenha asbesto** (asbesto é considerado como sendo cancerígeno)
- O pó do material, como tinta com chumbo, algumas espécies de madeira, minerais e metais, pode ser prejudicial (contacto ou inalação do pó pode provocar reacções alérgicas e/ou doenças respiratórias ao operador ou às pessoas presentes); **use máscara respiratória e trabalhe com um dispositivo de extracção de pó quando ligado a**
- Determinados tipos de pó são classificados como substâncias cancerígenas (como pó de carvalho e faia), em especial, juntamente com aditivos para acondicionamento da madeira; **use máscara respiratória e trabalhe com um dispositivo de extracção de pó quando ligado a**
- Siga o regulamento nacional quanto a extracção de pó, em função dos materiais que vão ser utilizados
- Não exponha a ferramenta/carregador

à chuva

- Não desmonte o carregador ou a ferramenta
- Assegure-se que o comutador E ② está na posição intermédia (de bloqueado) antes de efectuar ajustes na ferramenta ou substituir acessórios assim como quando transportar ou armazenar a ferramenta

CARGA/BATERIAS

- Utilize apenas o carregador SKIL 2610Z07379 com esta ferramenta
- **Este carregador pode ser utilizado por crianças a partir dos 8 anos, assim como pessoas com capacidades físicas, sensoriais ou mentais reduzidas, ou com insuficiente experiência e conhecimentos, desde que as mesmas sejam supervisionadas ou recebam instruções acerca da utilização segura do carregador e dos perigos provenientes do mesmo (caso contrário há perigo**

de operação errada e ferimentos)

- **Supervisionar as crianças** (assim é assegurado que as crianças não brinquem com o carregador)
- **Crianças não devem realizar trabalhos de limpeza nem de manutenção no carregador, sem supervisão**

- Não utilize o carregador se estiver danificado
- Temperatura ambiente permitida (ferramenta/carregador/bateria):
 - durante o carregamento 4...40°C
 - durante o funcionamento -20...+50°C
 - durante o armazenamento -20...+50°C

ACESSÓRIOS

- A SKIL só pode garantir um funcionamento perfeito da ferramenta, quando utilizada com os acessórios originais

ANTES DA UTILIZAÇÃO

- Certifique-se sempre de que a tensão de alimentação está de acordo com a tensão indicada na placa de identificação do carregador
- Evite danificar a ferramenta em superfícies com pregos ou parafusos; remova-os antes de começar a trabalhar
- **Fixe a peça de trabalho** (uma peça de trabalho fixa com dispositivos de fixação ou num torno fica melhor fixa do que manualmente)
- **Utilizar detectores apropriados para detectar tubos e cabos de**

alimentação escondidos, ou consulte a firma de alimentação local (o contacto com um cabo eléctrico pode levar a incêndio e choque eléctrico; a danificação de um cano de gás pode levar à explosão; a penetração de uma tubulação de água provoca danos materiais ou pode provocar um choque eléctrico)

DURANTE A UTILIZAÇÃO

- **Segurar a ferramenta eléctrica pelas superfícies de punho isoladas ao executar trabalhos durante os quais o acessório ou o parafuso possam atingir cabos eléctricos escondidos** (o contacto com um cabo sob tensão também pode colocar sob tensão as peças metálicas da ferramenta e levar a um choque eléctrico)
- Em caso de anomalias eléctricas ou mecânicas, desligue imediatamente a ferramenta ou desligue o carregador da fonte de corrente

EXPLICAÇÕES DOS SÍMBOLOS DA FERRAMENTA/CARREGADOR

- ③ Leia o manual de instruções antes de utilizar o equipamento
- ④ Utilize apenas o carregador dentro de casa
- ⑤ Isolamento duplo (nenhum fio de terra necessário)
- ⑥ A polaridade incorrecta da ligação do carregador pode provocar perigo (carregue a bateria apenas com o carregador fornecido)
- ⑦ Não deite ferramentas eléctricas e pilhas no lixo doméstico

MANUSEAMENTO

- Recarga da bateria ⑧
 - ! **uma bateria nova ou uma que não foi utilizada por muito tempo, apenas alcança a sua plena potência após aproximadamente 5 ciclos de carga/descarga**
 - ligue o carregador A à tomada de parede e ao contacto B
 - o indicador C acede-se VERDE para indicar que a bateria está a ser carregada
 - quando a bateria estiver completamente carregada, o indicador C apaga (após

aproximadamente 3 horas)

- pode carregar a bateria de iões de lítio a qualquer momento (a interrupção do procedimento de carregamento não danifica a bateria)
- a bateria de iões de lítio não tem de estar totalmente descarregada antes de a carregar (não tem "efeito de memória", como acontece com as baterias de níquel-cádmio)
- a ferramenta não pode ser utilizada durante o processo de carga; ela não está com defeito se não funcionar durante o processo de carga
- se prever não utilizar a ferramenta por um longo período, deverá desligar o carregador da fonte de corrente

• Ligar/desligar ⑨

• Inversão do sentido da rotação ⑩

- quando não forem correctamente reguladas as posições esquerda/direita, o interruptor D ② não será accionado

! inverta o comutador do sentido de rotação apenas quando a ferramenta desligada

• Substituição de pontas ⑪

- empurre a ponta a fundo no suporte das pontas G

! não utilize pontas com encadourros danificados

• Bloqueio automático do veio Permite-lhe apertar e desapertar parafusos manualmente quando necessário ⑫

• Luz LED ⑬

A luz LED H acende automaticamente ao activar o interruptor D, mesmo quando o interruptor E está na posição intermédia (de bloqueado)

• Armazenamento de pontas J ⑭

Permite guardar 2 pontas à frente

• Indicador do nível de carregamento da bateria

Se com o interruptor D ② semi-premido o indicador C ② iluminar-se em VERMELHO, significa que a bateria tem menos que 30% da sua capacidade total e deveria ser recarregada

• Duas posições da pega ⑭

• Protecção da bateria

Desliga automaticamente a ferramenta sempre que a temperatura da bateria atinge um valor demasiado alto (> +65°C) a bateria de iões de lítio está quase descarregada (para proteger contra descarga profunda)

CONSELHOS DE APLICAÇÃO

- Utilize as pontas apropriadas ⑮
- ! não utilize pontas danificadas**
- ! utilize apenas pontas com inserção hexagonal**
- Quando apertar um parafuso num rebordo de madeira, ou perto dele, deverá primeiro perfurar, a fim de evitar que a madeira estale
- Para uma perfeita utilização da ferramenta é necessário efectuar uma pressão contínua sobre o parafuso, especialmente quando do desaparafusamento
- Quando aparafusar em madeira dura é preciso pré-furar orifício
- Para mais informação, consulte www.skil.com

MANUTENÇÃO / SERVIÇO

- Esta ferramenta não se destina a utilização profissional
- Mantenha a ferramenta e carregador limpos
- ! desligue o carregador da fonte de corrente antes de limpar**
- Se a ferramenta/o carregador falhar apesar de cuidadosos processos de fabricação e de teste, a reparação deverá ser executada por uma oficina de serviço autorizada para ferramentas eléctricas SKIL
 - envie a ferramenta ou o carregador, **sem desmontar**, juntamente com a prova de compra, para o seu revendedor ou para o centro de assistência SKIL mais próximo (os endereços assim como a mapa de peças da ferramenta estão mencionados no www.skil.com)
- Não se esqueça de que os danos provocados por sobrecarga ou manuseamento incorrecto da ferramenta estão excluídos da garantia (para mais informações sobre

as condições da garantia da SKIL, consulte www.skil.com ou pergunte ao seu revendedor)

AMBIENTE

- **Não deite ferramentas eléctricas, acessórios e embalagem no lixo doméstico** (apenas para países da UE)
 - de acordo com a directiva europeia 2012/19/CE sobre ferramentas eléctricas e electrónicas usadas e a transposição para as leis nacionais, as ferramentas eléctricas usadas devem ser recolhidas em separado e encaminhadas a uma instalação de reciclagem dos materiais ecológica
 - símbolo ⑦ lhe avisará em caso de necessidade de arranja-las
- ! **remova as baterias antes de eliminar a ferramenta**
- Remoção/eliminação das baterias ⑯
 - ! **remova apenas as baterias se estiverem completamente vazias**
 - proteja os terminais das baterias com fita forte para evitar um curto-circuito
 - coloque as baterias num ponto de recolha oficial para baterias
- ! **as baterias explodirão quando colocadas num fogo, por isso, não queime as baterias por nenhum motivo**

RUÍDO / VIBRAÇÃO

- Medido segundo EN 60745 o nível de pressão acústica desta ferramenta é <70 dB(A) (espaço de erro: 3 dB) e a vibração <2,5 m/s² (soma de vectores de três direcções; incerteza K = 1,5 m/s²)
- O nível de emissão de vibrações foi medido de acordo com um teste normalizado fornecido na EN 60745; pode ser utilizado para comparar uma ferramenta com outra e como uma avaliação preliminar de exposição à vibração quando utilizar a ferramenta para as aplicações mencionadas
 - utilizar a ferramenta para diferentes aplicações ou com acessórios diferentes ou mantidos

deficientemente, pode **aumentar** significativamente o nível de exposição

- o número de vezes que a ferramenta é desligada ou quando estiver a trabalhar sem fazer nada, pode **reduzir** significativamente o nível de exposição

! **proteja-se contra os efeitos da vibração, mantendo a ferramenta e os acessórios, mantendo as mãos quentes e organizando os padrões de trabalho**



Avvitatore a batteria

2710

INTRODUZIONE

- L'utensile con funzionamento reversibile è idoneo per effettuare avvitature e preforature nel legno
- Questo utensile non è inteso per un uso professionale
- Leggete e conservate questo manuale di istruzione ③

DATI TECNICI ①

Mass. momento di coppia avvitamento di giunti rigidi conforme alla norma ISO 5393 : 7Nm

ELEMENTI UTENSILE ②

- A Caricabatteria
- B Attacco del caricabatteria
- C Indicatore del livello batteria
- D Interruttore di acceso/spento
- E Commutatore per l'inversione del senso di rotazione
- F Pomello di sblocco del perno
- G Portapunte magnetico
- H Spia LED
- J Cassetto porta punte

SICUREZZA

AVVERTENZE GENERALI DI PERICOLO PER ELETTROUTENSILI

⚠ **AVVERTENZA** Leggere tutte le avvertenze di sicurezza, istruzioni,

illustrazioni e specifiche fornite con l'utensile. La mancata osservanza di tutte le istruzioni sottoelencate potrebbe causare delle scariche elettriche, principi d'incendio e/o gravi lesioni.

Conservare tutte le avvertenze di pericolo e le istruzioni operative per ogni esigenza futura.

Il termine "elettroutensile" utilizzato nelle avvertenze di pericolo si riferisce ad elettroutensili alimentati dalla rete (con linea di allacciamento) ed ad elettroutensili alimentati a batteria (senza linea di allacciamento).

1) SICUREZZA DELLA POSTAZIONE DI LAVORO

- a) **Mantenere pulito ed ordinato il posto di lavoro.** Il disordine o le zone di lavoro non illuminate possono essere fonte di incidenti.
- b) **Evitare d'impiegare l'elettroutensile in ambienti soggetti al rischio di esplosioni nei quali si trovino liquidi, gas o polveri infiammabili.** Gli elettroutensili producono scintille che possono far infiammare la polvere o i gas.
- c) **Mantenere lontani i bambini ed altre persone durante l'impiego dell'elettroutensile.** Eventuali distrazioni potranno comportare la perdita del controllo sull'elettroutensile.

2) SICUREZZA ELETTRICA

- a) **La spina per la presa di corrente dovrà essere adatta alla presa. Evitare assolutamente di apportare modifiche alla spina. Non impiegare spine adattatrici assieme ad elettroutensili con collegamento a terra.** Le spine non modificate e le prese adatte allo scopo riducono il rischio di scosse elettriche.
- b) **Evitare il contatto fisico con superfici collegate a terra, come tubi, riscaldamenti, cucine elettriche e frigoriferi.** Sussiste un maggior rischio di scosse elettriche nel momento in cui il corpo è messo a massa.
- c) **Custodire l'elettroutensile al**

riparo dalla pioggia o dall'umidità. L'eventuale infiltrazione di acqua in un elettroutensile va ad aumentare il rischio d'insorgenza di scosse elettriche.

- d) **Non usare il cavo per scopi diversi da quelli previsti al fine di trasportare o appendere l'elettroutensile, oppure di togliere la spina dalla presa di corrente. Mantenere l'elettroutensile al riparo da fonti di calore, dall'olio, dagli spigoli o da pezzi in movimento.** I cavi danneggiati o aggrovigliati aumentano il rischio d'insorgenza di scosse elettriche.
 - e) **Qualora si voglia usare l'elettroutensile all'aperto, impiegare solo ed esclusivamente cavi di prolunga omologati per l'impiego all'esterno.** L'uso di un cavo di prolunga omologato per l'impiego all'esterno riduce il rischio d'insorgenza di scosse elettriche.
 - f) **Qualora non fosse possibile evitare di utilizzare l'elettroutensile in ambiente umido, utilizzare un interruttore di messa a terra.** L'uso di un interruttore di messa a terra riduce il rischio di una scossa elettrica.
- ### **3) SICUREZZA DELLE PERSONE**
- a) **È importante concentrarsi su ciò che si sta facendo e a maneggiare con giudizio l'elettroutensile durante le operazioni di lavoro. Non utilizzare l'elettroutensile in caso di stanchezza o sotto l'effetto di droghe, bevande alcoliche e medicinali.** Un attimo di distrazione durante l'uso dell'elettroutensile potrà causare lesioni gravi.
 - b) **Indossare sempre equipaggiamento protettivo individuale. Usare sempre protezioni per gli occhi.** Se si avrà cura d'indossare equipaggiamento protettivo individuale come la maschera antipolvere, la calzatura antisdrucchiolevole di sicurezza, il casco protettivo o la protezione dell'udito, a seconda dell'impiego previsto per l'elettroutensile, si potrà ridurre il rischio di ferite.
 - c) **Evitare l'accensione involontaria dell'elettroutensile. Prima**

di collegarlo alla rete di alimentazione elettrica e/o alla batteria ricaricabile, prima di prenderlo oppure prima di iniziare a trasportarlo, assicurarsi che l'elettrotensile sia spento.

Tenendo il dito sopra l'interruttore mentre si trasporta l'elettrotensile oppure collegandolo all'alimentazione di corrente con l'interruttore inserito, si vengono a creare situazioni pericolose in cui possono verificarsi seri incidenti.

- d) **Togliere gli attrezzi di regolazione o la chiave inglese prima di accendere l'elettrotensile.**
Un elettrotensile o una chiave inglese che si trovino in una parte dell'elettrotensile in rotazione potranno causare lesioni.
- e) **È importante non sopravvalutarsi. Avere cura di mettersi in posizione sicura e di mantenere l'equilibrio.**
In tale maniera sarà possibile controllare meglio l'elettrotensile in situazioni inaspettate.
- f) **Indossare vestiti adeguati. Evitare di indossare vestiti lenti o gioielli. Tenere capelli e vestiti lontani da parti in movimento.** Vestiti lenti, gioielli o capelli lunghi potranno impigliarsi in pezzi in movimento.
- g) **Se sussiste la possibilità di montare dispositivi di aspirazione o di captazione della polvere, assicurarsi che gli stessi siano stati installati correttamente e vengano utilizzati senza errori.**
L'utilizzo di un'aspirazione polvere può ridurre lo svilupparsi di situazioni pericolose dovute alla polvere.
- h) **Una volta presa confidenza con gli utensili, evitare di trascurare le norme di sicurezza.** Una mancanza di attenzione può causare gravi lesioni in una frazione di secondo.
- 4) **MANEGGIO ED IMPIEGO ACCURATO DI ELETTROTENSILI**
- a) **Non sovraccaricare l'elettrotensile. Impiegare l'elettrotensile adatto per sbrigare il lavoro.** Utilizzando l'elettrotensile adatto si potrà lavorare meglio e con maggior sicurezza nell'ambito della gamma di potenza indicata.
- b) **Non utilizzare elettrotensili**

con interruttori difettosi. Un elettrotensile che non si può più accendere o spegnere è pericoloso e dovrà essere riparato.

- c) **Prima di procedere ad operazioni di regolazione sull'elettrotensile, prima di sostituire parti accessorie oppure prima di posare l'elettrotensile al termine di un lavoro, estrarre sempre la spina dalla presa della corrente e/o estrarre la batteria ricaricabile, se rimovibile.** Tale precauzione eviterà che l'elettrotensile possa essere messo in funzione inavvertitamente.
- d) **Custodire gli elettrotensili non utilizzati al di fuori della portata dei bambini. Non fare usare l'elettrotensile a persone che non sono abituate ad usarlo o che non abbiano letto le presenti istruzioni.**
Gli elettrotensili sono pericolosi se utilizzati da persone inesperte.
- e) **Eseguire la manutenzione degli elettrotensili e degli accessori. Verificare che le parti mobili dell'elettrotensile funzionino perfettamente e non s'inceppino, che non ci siano pezzi rotti o danneggiati al punto tale da limitare la funzione dell'elettrotensile stesso. Far riparare le parti danneggiate prima d'impiegare l'elettrotensile.**
Numerosi incidenti vengono causati da elettrotensili la cui manutenzione è stata effettuata poco accuratamente.
- f) **Mantenere affilati e puliti gli elettrotensili da taglio.** Gli elettrotensili da taglio curati con particolare attenzione e con taglienti affilati s'inceppano meno frequentemente e sono più facili da condurre.
- g) **Utilizzare elettrotensili, accessori, attrezzi, ecc. in conformità con le presenti istruzioni. Osservare le condizioni di lavoro ed il lavoro da eseguirsi durante l'impiego.**
L'impiego di elettrotensili per usi diversi da quelli consentiti potrà dar luogo a situazioni di pericolo.
- h) **Mantenere impugnature e superfici di presa asciutte, pulite e prive di olio e grasso.** Impugnature

e superfici di presa scivolose non consentono di manipolare e controllare l'utensile in caso di situazioni inaspettate.

5) MANEGGIO ED IMPIEGO

ACCURATO DI ACCUMULATORI

- a) **Caricare l'accumulatore solo ed esclusivamente nei dispositivi di carica consigliati dal produttore.** Per un dispositivo di carica previsto per un determinato tipo di accumulatore, sussiste pericolo di incendio, se utilizzato con un accumulatore di tipo diverso.
- b) **Utilizzare negli elettroutensili solo ed esclusivamente gli accumulatori previsti allo scopo.** L'uso di accumulatori di tipo diverso potrà dare insorgenza a lesioni e comportare il rischio d'incendi.
- c) **Tenere l'accumulatore non utilizzato lontano da graffette, monete, chiavi, chiodi, viti o da altri oggetti in metallo di piccole dimensioni che potrebbero causare un ponte tra i contatti.** Un eventuale corto circuito tra i contatti dell'accumulatore potrà dare origine a bruciature o ad incendi.
- d) **In caso di impiego sbagliato, potranno insorgere fuoriuscite di liquido dall'accumulatore. Evitarne il contatto. In caso di contatto casuale, sciacquare con acqua. Qualora il liquido dovesse entrare in contatto con gli occhi, chiedere immediato consiglio al medico.** Il liquido fuoriuscito dall'accumulatore potrà causare irritazioni cutanee o bruciature.
- e) **Non utilizzare una batteria ricaricabile, né un elettroutensile, qualora siano danneggiati o siano stati modificati.** Batterie danneggiate o modificate possono comportare problemi non prevedibili, causando incendi, esplosioni e possibili lesioni.
- f) **Non esporre una batteria ricaricabile o un elettroutensile al fuoco o a temperature eccessive.** L'esposizione al fuoco o a temperature superiori a 130°C può causare esplosioni.
- g) **Rispettare tutte le istruzioni di carica e non caricare la batteria**

ricaricabile o l'elettroutensile fuori dal campo di temperatura indicato nelle istruzioni stesse. Una carica non corretta, o fuori dal campo di temperatura indicato, può comportare danni alla batteria ed aumentare il pericolo di incendio.

6) ASSISTENZA

- a) **Fare riparare l'elettroutensile solo ed esclusivamente da personale specializzato e solo impiegando pezzi di ricambio originali.** In tale maniera potrà essere salvaguardata la sicurezza dell'elettroutensile.
- b) **Non sottoporre in alcun caso a manutenzione batterie ricaricabili danneggiate.** La manutenzione di batterie ricaricabili andrà effettuata esclusivamente dal produttore o da fornitori di servizi appositamente autorizzati.

ISTRUZIONI DI SICUREZZA PER AVVITATORI A BATTERIA

NOTE GENERALI

- **Non lavorare mai materiali contenenti amianto** (l'amianto è ritenuto materiale cancerogeno)
- Le polveri di materiali come vernici contenenti piombo, alcune specie di legno, minerali e metallo possono essere nocive (il contatto con queste polveri o la loro inalazione possono causare reazioni allergiche e/o disturbi respiratori all'operatore o ad altre persone presenti sul posto); **indossare una maschera protettiva per la polvere e utilizzare un dispositivo per l'estrazione della polvere se è presente una presa di collegamento**
- Alcuni tipi di polvere sono classificati come cancerogeni (quali le polveri di quercia e faggio) specialmente se associate ad additivi per il trattamento del legno; **indossare una maschera protettiva per la polvere e utilizzare un dispositivo per l'estrazione della polvere se è presente una presa di collegamento**
- Rispettare le istruzioni nazionali riguardanti l'estrazione della polvere per i materiali in lavorazione

- Non esporre utensile/caricabatteria alla pioggia
- Non aprire il caricabatteria o l'utensile
- Assicurarsi che il commutatore E ② sia in posizione centrale (blocco) prima di regolare l'utensile o sostituire accessori, come pure durante il trasporto o quando si ripone l'utensile

CARICA/BATTERIE

- Utilizzare esclusivamente il caricabatteria SKIL 2610Z07379 con quest'utensile
- **Il presente caricabatteria può essere utilizzato da bambini a partire dagli 8 anni di età, da persone con limitate capacità fisiche, sensoriali o mentali e da persone con scarsa conoscenza ed esperienza, purché siano sorvegliati da una persona responsabile della loro sicurezza o siano stati istruiti in merito all'impiego sicuro del caricabatteria e ai relativi pericoli (in caso contrario sussiste il rischio di utilizzo errato e di**

lesioni)

- **Sorvegliare i bambini (in questo modo viene assicurato che i bambini non giochino con il caricabatteria)**
- **La pulizia e la manutenzione del caricabatteria da parte di bambini non deve avvenire senza sorveglianza**

- Non utilizzate il caricatore quando è danneggiato
- Temperatura ambientale consentita (utensile/caricabatteria/batteria):
 - in fase di ricarica 4...40°C
 - in fase d'esercizio -20...+50°C
 - in fase di stoccaggio -20...+50°C

ACCESSORI

- La SKIL garantisce un perfetto funzionamento dell'utensile soltanto se vengono utilizzati accessori originali

PRIMA DELL'USO

- Controllare che la tensione dell'alimentazione sia la stessa di quella indicata sulla targhetta del caricabatteria
- Evitare possibili danneggiamenti da viti e chiodi sporgenti; rimuoverli prima di iniziare la lavorazione
- **Fissare il pezzo da lavorare** (un pezzo in lavorazione rimane bloccato in posizione con maggiore sicurezza se fissato con appositi dispositivi di serraggio o con una morsa e non tenendolo con la mano)
- **Al fine di rilevare possibili linee di alimentazione nascoste, utilizzare adatte apparecchiature di ricerca**

oppure rivolgersi alla locale società erogatrice (un contatto con linee elettriche può provocare lo sviluppo di incendi e di scosse elettriche; danneggiando linee del gas si può creare il pericolo di esplosioni; penetrando una tubazione dell'acqua si provocano seri danni materiali oppure vi è il pericolo di provocare una scossa elettrica)

DURANTE L'USO

- **Tenere l'elettrotensile per le superfici isolate dell'impugnatura qualora venissero effettuati lavori durante i quali l'accessorio o l'avvitatore potrebbe venire a contatto con cavi elettrici nascosti** (il contatto con un cavo sotto tensione può mettere sotto tensione anche parti metalliche dell'elettrotensile, causando una scossa elettrica)
- Nel caso di cattivo funzionamento elettrico o meccanico, spegnere subito l'utensile o staccare il caricabatteria dalla rete

SPIEGAZIONE DEI SIMBOLI PRESENTI SULL'UTENSILE/ CARICATORE

- ③ Leggere il manuale di istruzioni prima dell'uso
- ④ Utilizzare il caricabatteria solo all'interno
- ⑤ Doppio isolamento (non è necessario alcun cavo di terra)
- ⑥ L'errata polarità della connessione del caricabatteria può costituire un pericolo (caricare la batteria utilizzando esclusivamente il caricabatteria in dotazione)
- ⑦ Non gettare l'elettrotensile e le batterie con i rifiuti domestici

USO

- Ricarica batteria ⑧
! una batteria nuova o una batteria che non sia stata utilizzata per un lungo periodo di tempo arriva a portare la sua piena prestazione solo dopo circa 5 cicli di ricarica/scarica
 - collegate il caricabatteria A alla presa a muro e all'attacco B
 - l'indicatore C si illumina VERDE per indicare che la batteria è in carica

- l'indicatore C si spegne, per indicare che la ricarica della batteria è stata completata (dopo circa 3 ore)
- la batteria agli ioni di litio può essere caricata in ogni momento (l'interruzione della procedura di ricarica non danneggia la batteria)
- la batteria agli ioni di litio non devono essere scariche prima di ricaricarle (nessun "effetto-memoria" come con le batterie nichel-cadmio)
- durante l'operazione di ricarica l'utensile non può essere utilizzato, lo stesso non è difettoso se durante l'operazione di ricarica non funziona
- se si prevede di non utilizzare l'utensile per un lungo periodo, è opportuno staccare il caricabatteria dalla rete

- Acceso/spento ⑨
- Inversione del senso di rotazione ⑩
 - quando la posizione sinistra/ destra non è inserita propriamente l'interruttore D ② non può essere attivato

! invertire il senso di rotazione solo quando l'utensile si è arrestato completamente

- Cambio delle punte ⑪
 - spingere la punta verso la posizione finale del portapunte G

! non utilizzare punte con il gambo danneggiato

- Bloccaggio automatico del albero Permette di avvitare o svitare le viti, quando è necessario ⑫
- Spia LED ⑬
Spia LED H si accende automaticamente quando si attiva l'interruttore D, anche quando l'interruttore E si trova in posizione centrale (blocco)
- Cassetto porta punte J ②
Funge da cassetto per 2 punte sul lato frontale
- Indicatore del livello batteria
Quando si preme fino a metà l'interruttore D ② e l'indicatore C ② si illumina ROSSO significa che la batteria ha meno del 30% della propria autonomia e dovrebbe essere di nuovo ricaricata
- Due posizioni dell'impugnatura ⑭
- Protezione per la batteria
Spegne automaticamente l'utensile

quando
la temperatura della batteria diventa
troppo alta (> +65°C)
la batteria agli ioni di litio è quasi
scarica (per proteggere contro la
scarica profonda)

CONSIGLIO PRATICO

- Usare le punte appropriate ⁽¹⁵⁾
! non utilizzare punte danneggiate
! usare solo punte con gambo esagonale
- Quando avvitate una vite in vicinanza dei bordi dell'asse, è preferibile fare un foro precedentemente per evitare le spaccature di legno
- Per un uso ottimale dell'utensile si raccomanda di esercitare una pressione costante sulla vite, soprattutto svitando
- Quando avvitate una vite su legno duro, è preferibile forare un foro precedentemente
- Per ulteriori informazioni consultare il sito www.skil.com

MANUTENZIONE / ASSISTENZA

- Questo utensile non è inteso per un uso professionale
- Tenere pulito l'utensile e il caricabatteria
! prima di pulire, staccare il caricabatteria dalla rete
- Se nonostante gli accurati procedimenti di produzione e di controllo l'utensile/il caricabatteria dovesse guastarsi, la riparazione va fatta effettuare da un punto di assistenza autorizzato per gli elettrodomestici SKIL
- inviare l'utensile o il caricatore **non smontato** assieme alle prove di acquisto al rivenditore oppure al più vicino centro assistenza SKIL (l'indirizzo ed il disegno delle parti di ricambio dell'utensile sono riportati su www.skil.com)
- Tenere presente che danni causati da sovraccarico o utilizzo improprio sono esclusi dalla garanzia (per le condizioni di garanzia SKIL, visitare il sito www.skil.com o contattare il proprio rivenditore)

TUTELA DELL'AMBIENTE

- **Non gettare l'elettrodomestico, gli accessori e l'imballaggio con i rifiuti domestici** (solo per Paesi UE)
 - secondo la Direttiva Europea 2012/19/CE sui rifiuti di utensili elettrici ed elettronici e la sua attuazione in conformità alle norme nazionali, gli elettrodomestici esausti devono essere raccolti separatamente, al fine di essere reimpiegati in modo eco-compatibile
 - il simbolo ⁽⁷⁾ vi ricorderà questo fatto in fase di smaltimento
- **! rimuovere le batterie prima di eliminare l'utensile**
- Rimozione/smaltimento delle batterie ⁽¹⁶⁾
! rimuovere le batterie solo se completamente scariche
 - proteggere i morsetti delle batterie per mezzo di nastro adesivo spesso, al fine di prevenire eventuali cortocircuiti
 - smaltire le batterie presso un punto autorizzato per la loro raccolta
- **! le batterie esplodono se gettate nel fuoco, pertanto non bruciare le batterie per alcun motivo**

RUMOROSITÀ / VIBRAZIONE

- Misurato in conformità al EN 60745 il livello di pressione acustica di questo utensile è <70 dB(A) (deviazione standard: 3 dB) e la vibrazione <2,5 m/s² (somma dei vettori in tre direzioni; incertezza K = 1,5 m/s²)
- Il livello di emissione delle vibrazioni è stato misurato in conformità a un test standardizzato stabilito dalla norma EN 60745; questo valore può essere utilizzato per mettere a confronto un l'utensile con un altro o come valutazione preliminare di esposizione alla vibrazione quando si impiega l'utensile per le applicazioni menzionate
 - se si utilizza l'utensile per applicazioni diverse, oppure con accessori differenti o in scarse condizioni, il livello di esposizione potrebbe **umentare** notevolmente
 - i momenti in cui l'utensile è spento

oppure è in funzione ma non viene effettivamente utilizzato per il lavoro, possono contribuire a ridurre il livello di esposizione

! proteggersi dagli effetti della vibrazione effettuando la manutenzione dell' utensile e dei relativi accessori, mantenendo le mani calde e organizzando i metodi di lavoro

H

Akkumulátoros rúdcsavarozó

2710

BEVEZETÉS

- Az irányváltó kapcsolóval felszerelt készülék fába történő csavar be- és kihajtására és előfúrására szolgál
- A szerszám nem professzionális használatra készült
- Olvassa el figyelmesen és őrizze meg a használati utasítást ③

MŰSZAKI ADATOK ①

Maximális forgatónyomaték kemény csavarozásnál az ISO 5393 szerint : 7Nm

SZERSZÁMGÉP ELEMEI ②

- A Töltő
- B Töltőcsatlakozó
- C Akkumulátor töltöttségi-szint jelző
- D Be/ki kapcsológomb
- E A forgásirány változtatására szolgáló kapcsoló
- F Forgást kioldó gomb
- G Mágneses bittartó
- H LED-fény
- J Bit tároló

BIZTONSÁG

ÁLTALÁNOS BIZTONSÁGI ELŐÍRÁSOK AZ ELEKTROMOS KÉZISZERSZÁMOKHOZ

⚠ FIGYELMEZTETÉS Olvassa el a szerszámgéphez tartozó biztonsági figyelmeztetéseket, utasításokat, ábrákat és specifikációkat. Az alábbi

utasítások figyelmen kívül hagyása elektromos áramütéshez, tűzhöz és/vagy súlyos balesethez vezethet.

Őrizze meg a jövőbeli használatra is valamennyi biztonsági előírást és utasítást.

Az alább alkalmazott "elektromos kéziszerszám" fogalom a hálózati elektromos kéziszerszámokat (hálózati csatlakozó kábellel) és az akkumulátoros elektromos kéziszerszámokat (hálózati csatlakozó kábel nélkül) foglalja magában.

1) MUNKAHELYI BIZTONSÁG

- a) Tartsa tisztán és tartsa rendben a munkahelyét.** Rendetlen munkahelyek vagy megvilágítatlan munkaterületek balesetekhez vezethetnek.
- b) Ne dolgozzon az elektromos kéziszerszámmal olyan robbanásveszélyes környezetben, ahol éghető folyadékok, gázok vagy porok vannak.** Az elektromos kéziszerszámok szikrákat bocsáthatnak ki, amelyek meggyújthatják a port vagy a gőzöket.
- c) Tartsa távol a gyerekeket és az idegen személyeket a munkahelytől, ha az elektromos kéziszerszámot használja.** Ha elvonják a figyelmét a munkától, könnyen elvesztheti az uralmát a berendezés felett.

2) ELEKTROMOS BIZTONSÁGI ELŐÍRÁSOK

- a) A készülék csatlakozó dugójának bele kell illeszkednie a dugaszolóaljzatba. A csatlakozó dugót semmilyen módon sem szabad megváltoztatni.** Védőföldeléssel ellátott készülékekkel kapcsolatban ne használjon csatlakozó adaptert. A változtatás nélküli csatlakozó dugók és a megfelelő dugaszoló aljzatok csökkentik az áramütés kockázatát.
- b) Ne érjen hozzá földelt felületekhez, mint csövekhez, fűtőtestekhez, kályhákhoz és hűtőszekrényekhez.** Az áramütési veszély megnövekszik,

ha a teste le van földelve.

- c) **Tartsa távol az elektromos kéziszerszámot az esőtől és a nedvesség hatásaitól.** Ha víz hatol be egy elektromos kéziszerszámba, ez megnöveli az áramütés veszélyét.
- d) **Ne használja a kábelt a rendeltetésétől eltérő célokra, vagyis a szerszámot soha ne hordozza vagy akassza fel a kábelnél fogva, és soha ne húzza ki a hálózati csatlakozó dugót a kábelnél fogva. Tartsa távol a kábelt hőforrásoktól, olajtól, éles élektől, sarkaktól és mozgó gépalkatrészekről.** Egy megrongálódott vagy csomókkal teli kábel megnöveli az áramütés veszélyét.
- e) **Ha egy elektromos kéziszerszámmal a szabad ég alatt dolgozik, csak a szabadban való használatra engedélyezett hosszabbítót használjon.** A szabadban való használatra engedélyezett hosszabbító használata csökkenti az áramütés veszélyét.
- f) **Ha nem lehet elkerülni az elektromos kéziszerszám nedves környezetben való használatát, alkalmazzon egy földzárlat megszakítót.** Egy földzárlat megszakító alkalmazása csökkenti az áramütés kockázatát.

3) SZEMÉLYI BIZTONSÁGI ELŐÍRÁSOK

- a) **Munka közben mindig figyeljen, ügyeljen arra, amit csinál, és meggondoltan dolgozzon az elektromos kéziszerszámmal. Ha fáradt, ha kábítószerek vagy alkohol hatása alatt áll, vagy orvosságokat vett be, ne használja a berendezést.** A berendezéssel végzett munka közben már egy pillanatnyi figyelmetlenség is komoly sérülésekhez vezethet.
- b) **Viseljen személyi védőfelszerelést és mindig viseljen védőszemüveget.** A személyi védőfelszerelések, mint porvédő álarc, csúszásbiztos védőcipő, védősapka és fülvédő használata az elektromos kéziszerszám használata jellegének megfelelően csökkenti a személyes

sérülések kockázatát.

- c) **Kerülje el a készülék akaratlan üzembe helyezését. Győződjön meg arról, hogy az elektromos kéziszerszám ki van kapcsolva, mielőtt bedugná a csatlakozó dugót a dugaszolóaljzatba, csatlakoztatná az akkumulátor-csomagot, és mielőtt felvenné és vinni kezdené az elektromos kéziszerszámot.** Ha az elektromos kéziszerszám felemelése közben az ujját a kapcsolón tartja, vagy ha a készüléket bekapcsolt állapotban csatlakoztatja az áramforráshoz, ez balesetekhez vezethet.
- d) **Az elektromos kéziszerszám bekapcsolása előtt okvetlenül távolítsa el a beállító szerszámokat vagy csavarkulcsokat.** Az elektromos kéziszerszám forgó részeiben felejtett beállító szerszám vagy csavarkulcs sérüléseket okozhat.
- e) **Ne becsülje túl önmagát. Kerülje el a normálistól eltérő testtartást, ügyeljen arra, hogy mindig biztosan álljon és az egyensúlyát megtartsa.** Így az elektromos kéziszerszám felett váratlan helyzetekben is jobban tud uralkodni.
- f) **Viseljen megfelelő ruhát. Ne viseljen bő ruhát vagy ékszereket. Tartsa távol a haját és a ruháját a mozgó részekről.** A bő ruhát, az ékszereket és a hosszú haját a mozgó alkatrészek magukkal rántathatják.
- g) **Ha az elektromos kéziszerszámra fel lehet szerelni a por elszívásához és összegyűjtéséhez szükséges berendezéseket, ellenőrizze, hogy azok megfelelő módon hozzá vannak kapcsolva a készülékhez és rendeltetésüknek megfelelően működnek.** A porgyűjtő berendezések használata csökkenti a munka során keletkező por veszélyes hatását.
- h) **Ne hagyja, hogy az elektromos kéziszerszám gyakori használata során szerzett tapasztalatok olyan önelégültté tegyék, hogy figyelmen kívül hagyja az idevonatkozó biztonsági alapelveket.** Egy gondatlan művelet egy másodperc tört része alatt súlyos sérüléseket

okozhat.

4) AZ ELEKTROMOS

KÉZISZERSZÁMOK GONDOS KEZELÉSE ÉS HASZNÁLATA

- a) **Ne terhelje túl az elektromos kéziszerszámot. A munkájához csak az arra szolgáló elektromos kéziszerszámot használja.** Egy alkalmas elektromos kéziszerszámmal a megadott teljesítménytartományon belül jobban és biztonságosabban lehet dolgozni.
- b) **Ne használjon olyan elektromos kéziszerszámot, amelynek a kapcsolója elromlott.** Egy olyan elektromos kéziszerszám, amelyet nem lehet sem be-, sem kikapcsolni, veszélyes és meg kell javíttatni.
- c) **Húzza ki a csatlakozó dugót a dugaszolóaljzatból és/vagy távolítsa el az akkumulátor-csomagot (ha az leválasztható) az elektromos kéziszerszámtól, mielőtt az elektromos kéziszerszámon beállítási munkákat végez, tartozékokat cserél vagy a szerszámot tárolásra elteszi.** Ez az elővigyázatossági intézkedés megátalja a szerszám akaratlan üzembe helyezését.
- d) **A használaton kívüli elektromos kéziszerszámokat olyan helyen tárolja, ahol azokhoz gyerekek ne férhess nek hozzá. Ne hagyja, hogy olyan személyek használják az elektromos kéziszerszámot, akik nem ismerik a szerszámot, vagy nem olvasták el ezt az útmutatót.** Az elektromos kéziszerszámok veszélyesek, ha azokat gyakorlatlan személyek használják.
- e) **Az elektromos kéziszerszámot és tartozékait gondosan tartsa karban. Ellenőrizze, hogy a mozgó alkatrészek kifogástalanul működnek-e, nincsenek-e beszorulva, és nincsenek-e eltörve vagy megrongálódva olyan alkatrészek, amelyek hatással lehetnek az elektromos kéziszerszám működésére. A megrongálódott részeket a készülék használata előtt javíttassa meg.** Sok olyan baleset történik, amelyet az elektromos kéziszerszám

nem kielégítő karbantartására lehet visszavezetni.

- f) **Tartsa tisztán és éles állapotban a vágószerszámokat.** Az éles vágóélekkel rendelkező és gondosan ápoltt vágószerszámok ritkábban ékelődnek be és azokat könnyebben lehet vezetni és irányítani.
 - g) **Az elektromos kéziszerszámokat, tartozékokat, betétszerszámokat stb. csak ezen előírásoknak használja. Vegye figyelembe a munkafeltételeket és a kivitelezendő munka sajátosságait.** Az elektromos kéziszerszám eredeti rendeltetésétől eltérő célokra való alkalmazása veszélyes helyzetekhez vezethet.
 - h) **Tartsa szárazon, tisztán és olaj- és zsírmentes állapotban a fogantyúkat és markoló felületeket.** A csúszós fogantyúk és markoló felületek váratlan helyzetekben lehetetlenné teszik az elektromos kéziszerszám biztonságos kezelését és irányítását.
- #### 5) AZ AKKUMULÁTOROS KÉZISZERSZÁMOK GONDOS KEZELÉSE ÉS HASZNÁLATA
- a) **Az akkumulátort csak a gyártó által ajánlott töltőkészülékekben töltsse fel.** Ha egy bizonyos akkumulátortípus feltöltésére szolgáló töltőkészülékben egy másik akkumulátort próbál feltölteni, tűz keletkezhet.
 - b) **Az elektromos kéziszerszámban csak az ahhoz tartozó akkumulátort használja.** Más akkumulátorok használata személyi sérüléseket és tüzet okozhat.
 - c) **Tartsa távol a használaton kívüli akkumulátort irodai kapcsoktól, pénzerméktől, kulcsoktól, szögektől, csavaroktól és más kisméretű fémtárgyaktól, amelyek áthidalhatják az érintkezőket.** Az akkumulátor érintkezői közötti rövidzárlat égési sérüléseket vagy tüzet okozhat.
 - d) **Hibás alkalmazás esetén az akkumulátorból folyadék léphet ki. Kerülje el az érintkezést a folyadékkal. Ha véletlenül mégis érintkezésbe jutott az akkumulátorfolyadékkal,**

azonnal öblítse le vízzel az érintett felületet. Ha a folyadék a szemébe jutott, keressen fel ezen kívül egy orvost. A kilépő akkumulátorfolyadék irritációkat vagy égéses bőrsérüléseket okozhat.

- e) **Sohase használjon egy akkumulátor csomagot, ha az megrongálódott, vagy ha változtatásokat hajtottak végre rajta.** A megrongálódott vagy megváltoztatottakkumulátorok előreláthatatlan módon viselkedhetnek, amely tűzhez, robbanáshoz vagy sérülésveszélyhez vezet.
- f) **Ne tegye ki az akkumulátor csomagokat tűz, vagy extrém hőmérsékletek hatásának.** Ha az akkumulátort tűznek, vagy 130°C-ot meghaladó hőmérsékletnek teszi ki, ez robbanást okozhat.
- g) **Tartsa be valamennyi töltési előírást és ne töltsen fel az akkumulátort, ha annak a hőmérséklete az utasításokban megadott hőmérséklet tartományon kívül van.** Az akkumulátor nem megfelelő módon, vagy a megadott hőmérséklet tartományon kívüli feltöltése megrongálhatja az akkumulátort és megnövelheti a tűzveszélyt.
- 6) **SZERVIZ**
- a) **Az elektromos kéziszerszámot csak szakképzett személyzet és csak eredeti pótalkatrészek felhasználásával javíthatja.** Ez biztosítja, hogy az elektromos kéziszerszám biztonságos szerszám maradjon.
- b) **Sohase szerveljen megrongálódott akkumulátor csomagokat.** Az akkumulátor csomagokat csak a gyártónak, vagy az erre feljogosított szolgáltatóknak szabad szervizelniük.

BIZTONSÁGI ELŐÍRÁSOK AKKUMULÁTOROS RÚDCSAVAROZÓKHOZ

ÁLTALÁNOS TUDNIVALÓK

- **Ne munkáljon meg a berendezéssel azbeszttel tartalmazó anyagokat** (az azbesztnak rákkeltő hatása van)
- Az anyagból származó por, mint például az ólmot, néhány fajfajtát, ásványi anyagokat és fémeket tartalmazó festék, káros lehet (a por érintése vagy belégzése allergiás reakciókat és/vagy légzőszervi betegségeket okozhat a kezelő, illetve a közelben állók esetében); **viseljen pormaszkot és amennyiben csatlakoztatható, dolgozzon porselzív berendezéssel**
- Bizonyos porfajták rákkeltő besorolással rendelkeznek (ilyen például a tölgy- és a bükkfa pora), különösen a fa kondicionálására szolgáló adalékokkal együtt; **viseljen pormaszkot és amennyiben csatlakoztatható, dolgozzon porselzív berendezéssel**
- Kövesse a por kezelésével kapcsolatos helyi előírásokat azon termékkel kapcsolatosan, amellyel dolgozni kíván
- A gépet/töltőkészüléket óvja a nedvességtől, különösen esőtől
- A töltőkészüléket vagy a gépet tilos szétszedni
- Győződjön meg róla, hogy a E ② irányváltó-kapcsoló a középső (rögzített) állásban van, mielőtt beállításokat végez vagy tartozékokat cserél, illetve amikor a gépet szállítja vagy tárolja

TÖLTÉS/AKKUMULÁTOR

- A szerszámmal csak a SKIL 2610Z07379 töltő készüléket használja

- **Ezt a töltőkészüléket legalább 8 éves gyerekek és olyan személyek is használhatják, akiknek a fizikai, érzékelési, vagy értelmi képességeik korlátozottak, vagy nincsenek meg a megfelelő tapasztalataik, illetve tudásuk, ha az ilyen személyekre a biztonságukért felelős más személy felügyel, vagy a töltőkészülék biztonságos kezelésére kioktatta őket és megértették az azzal kapcsolatos veszélyeket (ellenkező esetben fennáll a hibás működés és a sérülés veszélye)**

- **Ügyeljen a gyerekekre (ez biztosítja, hogy a gyerekek ne játszhassanak a töltőkészülékkel)**
- **A töltőkészülék tisztítását és karbantartását gyerekek felügyelet nélkül nem végezhetik**

- Hibás töltőkészüléket nem szabad üzembe helyezni
- Megengedett környezeti hőmérséklet (szerszám/töltő készülék/akkumulátor):
 - a töltés során 4...40°C
 - az üzemeltetés során -20...+50°C
 - a tárolás során -20...+50°C

TARTOZÉKOK

- SKIL cég kizárólag eredeti alkatrészek és kiegészítők alkalmazása esetén tudja garantálni a gép problémamentes működését

HASZNÁLAT ELŐTT

- Mindig ellenőrizze, hogy a hálózati feszültség megegyezik-e a töltőkészülék adattábláján feltüntetett értékkel
- Ügyeljen arra, hogy a munkadarabban lévő csavar, szög vagy hasonló sérüléseket ne okozhasson; a munka megkezdése előtt eltávolítandó
- **Rögzítse a munkadarabot** (befogókészülékkel vagy satuval befogott munkadarabot sokkal biztonságosabban lehet rögzíteni mint a kézzel tartottat)
- **A rejtett vezetékek felkutatásához használjon alkalmas fémkereső készüléket, vagy kérje ki a helyi energiaellátó vállalat tanácsát** (ha egy elektromos vezetékeket a berendezéssel megérint, ez tüzhöz és áramütéshez vezethet; egy

gázvezeték megrongálása robbanást eredményezhet; egy vízvezetékbe való behatolás anyagi károkhoz és áramütéshez vezethet)

HASZNÁLAT KÖZBEN

- **Az elektromos kéziszerszámot csak a szigetelt fogantyúfelületeknél fogva tartsa, ha olyan munkát végez, amelynek során a betétszerszám vagy a csavar feszültség alatt álló, kívülről nem látható vezetékekhez érhet** (ha a berendezés egy feszültség alatt álló vezetékhez ér, az elektromos kéziszerszám fémrészei szintén feszültség alá kerülhetnek és áramütéshez vezethetnek)
- Normálistól eltérő működés vagy szokatlan, idegen hangok esetén a gépét azonnal kapcsolja ki vagy a töltőkészülék csatlakozóját húzza ki a konnektorból

A KÉSZÜLÉKEN/TÖLTŐN TALÁLHATÓ SZIMBÓLUMOK MAGYARÁZATA

- ③ Használat előtt olvassa el a használati utasítást
- ④ A töltőt csak beltéren használja
- ⑤ Kettős szigetelés (földelővezeték nem szükséges)
- ⑥ A töltőcsatlakozás hibás polaritása veszélyt okozhat (csak a szállított töltővel töltsé az akkumulátort)
- ⑦ Ne dobja az elektromos kéziszerszámokat és elemek a háztartási szemétkébe

KEZELÉS

- Az akkumulátor töltése ⑧
! egy új, vagy hosszabb ideig használaton kívüli akkumulátor csak kb. 5 teljes feltöltési/kisütési ciklus után éri el a teljes teljesítményét
 - csatlakoztassa a töltőt A mind a falialjzathoz és a csatlakozóhoz B
 - a C jelző ZÖLDEN világít, jelezvén, hogy az akkumulátor töltődik
 - ha az akkumulátor teljesen feltöltődött, a C jelző kikapcsol (kb. 3 óra töltési idő alatt)

- a lítium-ion akkumulátort bármikor fel lehet tölteni (a töltési folyamat megszakítása nem károsítja az akkumulátort)
- a lítium-ion akkumulátort feltöltés előtt nem kell lemeríteni (nincs a nikkell-kadmium akkumulátorokhoz hasonló "memória effektus")
- a szerszámot a töltés közben nem lehet használni; tehát nincs elromolva, ha a töltési folyamat közben nem működik
- amennyiben a gépet hosszabb időn keresztül nem használjuk, akkor a töltőkészülék hálózati csatlakozóját a dugaszolóaljzathoz húzzuk ki

- Be/Ki ⑨
- Forgásirány változtatás ⑩
 - amennyiben az D ② be/ki kapcsoló nem kattan tökéletesen a helyére ne kapcsolja be gépét

! a forgásirány kizárólag a gép teljes leállása után változtatható

- A szerszámhegyek cseréje ⑪
 - nyomjuk a szerszámhegyet a bittartó G véghelyzetéig

! soha ne használjon sérült befogóvégű szerszámhegyet

- Automatikus tengelyrögztetés
Szükség esetén a csavarok manuálisan történő be/kicsavarására ⑫
- LED-fény ⑬
A LED-fény H a kapcsoló aktiválásakor automatikusan kigyullad D, akkor is, ha a kapcsoló E a középső (zárt) pozícióban van

- Bit tároló J ⑭
Lehetővé teszi a 2 hegy elülső tárolását
- Akkumulátor töltöttségi-szint jelző
Ha a C ② jelző félig benyomott D ② kapcsoló esetén PIROS színben világít, akkor az akkumulátor eredeti kapacitásának már csak kevesebb mint 30%-a áll rendelkezésre, ezért az akkumulátort célszerű feltölteni
- Két felhasználói pozíció ⑮
- Az akkumulátor védelme
A szerszám az alábbi esetekben automatikusan kikapcsol:
túlságosan megnő az akkumulátor hőmérséklet (> +65°C)
a lítium-ion akkumulátor szinte teljesen lemerült (mélykisülés elleni védelem)

HASZNÁLAT

- Mindig a megfelelő szerszámhegyet használja ¹⁵
! soha ne használjon sérült szerszámhegyet
! a termék kizárólag - megfelelő méretű - hatszög befogású szerszámhegyet használható
- Csavarok faanyag végébe vagy szálirányába történő behajtása előtt készítsen előfuratot
- Az eszköz optimális használatához a csavarra állandó nyomást kell gyakorolni, különösen ha kicsavarjuk
- Ha keményfába csavarozunk, szükséges előfuratot készíteni
- A további információkért lásd a www.skil.com oldalt

KARBANTARTÁS / SZERVIZ

- A szerszám nem professzionális használatra készült
- A gépét és a töltőkészüléket mindig tartsa tisztán
! mielőtt a töltőt megtisztítaná a konnektorból húzza ki a csatlakozót
- Ha a gép/töltőkészülék a gondos gyártási és ellenőrzési eljárás ellenére egyszer mégis meghibásodna, akkor a javítással csak SKIL elektromos kéziszerszám-műhely ügyfélszolgálatát szabad megbízni
- küldje az **összeszerelt** gépet vagy töltőkészüléket a vásárlást bizonyító számlával együtt a kereskedő vagy a legközelebbi SKIL szervizállomás címére (a címlista és a gép szervizdiagramja a www.skil.com címen található)
- Vegye figyelembe, hogy a garancia nem fedi le a túlterhelés és a gép helytelen használata miatt okozott károkat (a SKIL garanciális feltételeit elolvashatja a www.skil.com oldalon, vagy kérdezze meg kereskedőjét)

KÖRNYEZET

- **Az elektromos kéziszerszámokat, tartozékokat és csomagolást ne dobja a háztartási szemétkébe** (csak EU-országok számára)
 - a használt villamos és elektronikai készülékekről szóló 2012/19/EK irányelv és annak a nemzeti jogba való átültetése szerint az elhasznált elektromos kéziszerszámokat külön kell gyűjteni, és környezetbarát módon újra kell hasznosítani
 - erre emlékeztet a ⁷ jelzés, amennyiben felmerül az intézkedésre való igény
- **! a szerszám ártalmatlanítása előtt vegye ki az akkumulátorokat**
- Akkumulátorok eltávolítása/ártalmatlanítása ¹⁶
! csak teljesen lemerült állapotban távolítsa el az akkumulátorokat
 - a rövidzárlat megelőzése érdekében védje az akkumulátor kapcsait erős szigetelőszalaggal
 - az akkumulátorokat hivatalos gyűjtőponton helyezze hulladékba
- **! ha az akkumulátorok tűzbe kerülnek, akkor felrobbanhatnak, ezért semmilyen okból ne égesse el az akkumulátorokat**

ZAJ / REZGÉS

- Az EN 60745 alapján végzett mérések szerint ezen készülék hangnyomás szintje <70 dB(A) (normál eltérés: 3 dB) a rezgésszám <2,5 m/s² (a három irány vektorösszege; szórás K = 1,5 m/s²)
- A rezgés-kibocsátási szint mérése az EN 60745 szabványban meghatározott szabványosított teszttel összhangban történt; ez egy eszköznek egy másik eszközzel történő összehasonlítására, illetve a rezgésnek való kitettség előzetes felmérésére használható fel az eszköznek az említett alkalmazásokra történő felhasználása során
 - az eszköznek eltérő alkalmazásokra, vagy eltérő, illetve rosszul karbantartott tartozékokkal történő felhasználása jelentősen **emelheti** a kitettségi szintjét

- az idő, amikor az eszköz ki van kapcsolva, vagy amikor ugyan működik, de ténylegesen nem végez munkát, jelentősen **csökkentheti** a kitétség szintjét
- ! az eszköz és tartozékai karbantartásával, kezének melegen tartásával, és munkavégzésének megszervezésével védje meg magát a rezgések hatásaitól**

CZ

Akumulátorový šroubovák 2710

ÚVOD

- Náradí s pravým/levým chodem je určeno k šroubování a předvrtání do dřeva
- Tento nástroj není určen k profesionálnímu použití
- Tento návod s pokyny si pečlivě přečtěte a uschovejte ③

TECHNICKÁ DATA ①

Max. krouticí moment tvrdý šroubový spoj podle ISO 5393 : 7Nm

SOUČÁSTI NÁSTROJE ②

- A Nabíječka
- B Zásuvka pro nabíječku
- C Indikátor akumulátoru
- D Spínač "zapnuto/vypnuto"
- E Spínač na změnu směru otáček
- F Uvolňovací tlačítko pro pivoťy
- G Magnetické držák bitů
- H LED-kontrolka
- J Uložení hrotů

BEZPEČNOST

OBECNÉ BEZPEČNOSTNÍ POKYNY PRO ELEKTRONÁŘADÍ

⚠ VAROVÁNÍ Přečtěte si veškerá bezpečnostní upozornění, pokyny, obrázky a technické údaje, které jsou s tímto elektrickým nástrojem dodávány. Nedodržení všech níže

uvedených pokynů může vést k úrazu elektrickým proudem, požáru a/nebo vážnému zranění.

Všechny pokyny a výstrahy uchovejte pro budoucí potřebu.

Ve varovných upozorněních použitý pojem "elektronářadí" se vztahuje na elektronářadí provozované na el. síti (se síťovým kabelem) a na elektronářadí provozované na akumulátoru (bez síťového kabelu).

1) BEZPEČNOST PRACOVNÍHO MÍSTA

- a) **Udržujte Vaše pracovní místo čisté a uklizené.** Nepořádek nebo neosvětlené pracovní oblasti mohou vést k úrazům.
- b) **Se strojem nepracujte v prostředích ohrožených explozí, kde se nacházejí hořlavé kapaliny, plyny nebo prach.** Elektronářadí vytváří jiskry, které mohou prach nebo páry zapálit.
- c) **Děti a jiné osoby udržujte při použití elektronářadí daleko od Vašeho pracovního místa.** Při rozptýlení můžete ztratit kontrolu nad strojem.

2) ELEKTRICKÁ BEZPEČNOST

- a) **Připojovací zástrčka stroje musí lícovat se zásuvkou. Zástrčka nesmí být žádným způsobem upravena. Společně se stroji s ochranným uzemněním nepoužívejte žádné adaptérové zástrčky.** Neupravené zástrčky a vhodné zásuvky snižují riziko elektrického úderu.
- b) **Zabraňte kontaktu těla s uzemněnými povrchy, jako např. potrubí, topení, sporáky a chladničky.** Je-li Vaše tělo uzemněno, existuje zvýšené riziko elektrického úderu.
- c) **Chraňte stroj před deštěm a vlhkem.** Vniknutí vody do elektrického stroje zvyšuje nebezpečí elektrického úderu.
- d) **Dbejte na účel kabelu, nepoužívejte jej k nošení či zavěšení stroje nebo vytažení**

zástrčky ze zásuvky. Udržujte kabel daleko od tepla, oleje, ostrých hran nebo pohyblivých dílů stroje.

Poškozené nebo spletené kabely zvyšují riziko elektrického úderu.

- e) **Pokud pracujete s elektronářadím venku, použijte pouze takové prodlužovací kabely, které jsou schváleny i pro venkovní použití.** Použití prodlužovacího kabelu, jež je vhodný pro použití venku, snižuje riziko elektrického úderu.
- f) **Pokud se nelze vyhnout provozu elektronářadí ve vlhkém prostředí, použijte ochranný jistič.** Nasazení ochranného jističe snižuje riziko úderu elektrickým proudem.
- 3) BEZPEČNOST OSOB**
- a) **Buďte pozorní, dávejte pozor na to, co děláte a přistupujte k práci s elektronářadím rozumně. Stroj nepoužívejte pokud jste unaveni nebo pod vlivem drog, alkoholu nebo léků.** Moment nepozornosti při použití elektronářadí může vést k vážným poraněním.
- b) **Noste osobní ochranné pomůcky a vždy ochranné brýle.** Nošení osobních ochranných pomůček jako maska proti prachu, bezpečnostní obuv s protiskluzovou podrážkou, ochranná přilba nebo sluchátka, podle druhu nasazení elektronářadí, snižují riziko poranění.
- c) **Zabraňte neúmyslnému uvedení do provozu. Přesvědčte se, že je elektronářadí vypnuté dříve než jej uchopíte, poneseťe či připojíte na zdroj proudu a/nebo akumulátor.** Máte-li při nošení elektronářadí prst na spínači nebo pokud stroj připojíte ke zdroji proudu zapnutý, pak to může vést k úrazům.
- d) **Než stroj zapnete, odstraňte seřizovací nástroje nebo šroubovák.** Nástroj nebo klíč, který se nachází v otáčivém dílu stroje, může vést k poranění.
- e) **Nepřeceňujte se. Zajistěte si bezpečný postoj a vždy udržujte rovnováhu.** Tím můžete stroj v neočekávaných situacích lépe kontrolovat.
- f) **Noste vhodný oděv. Nenoste žádný volný oděv nebo šperky.**

Vlasy a oděv udržujte daleko od pohyblivých se dílů. Volný oděv, šperky nebo dlouhé vlasy mohou být zachyceny pohyblivými se díly.

- g) **Lze-li namontovat odsávací či zachycující přípravky, přesvědčte se, že jsou připojeny a správně použity.** Použití odsávání prachu může snížit ohrožení prachem.
- h) **Dbejte na to, abyste při častém používání nářadí nebyli méně ostražití a nezapomínali na bezpečnostní zásady.** Nedbalé ovládání může způsobit těžké poranění za zlomek sekundy.
- 4) SVĚDOMITÉ ZACHÁZENÍ A POUŽÍVÁNÍ ELEKTRONÁŘADÍ**
- a) **Stroj nepřetěžujte. Pro svou práci použijte k tomu určený stroj.** S vhodným elektronářadím budete pracovat v udané oblasti výkonu lépe a bezpečněji.
- b) **Nepoužívejte žádné elektronářadí, jehož spínač je vadný.** Elektronářadí, které nelze zapnout či vypnout je nebezpečné a musí se opravit.
- c) **Než provedete seřízení stroje, výměnu dílů příslušenství nebo stroj odložíte, vytáhněte zástrčku ze zásuvky a/nebo odstraňte odpojitelny akumulátor.** Toto preventivní opatření zabrání neúmyslnému zapnutí stroje.
- d) **Uchovávejte nepoužívané elektronářadí mimo dosah dětí. Nenechte stroj používat osobám, které se strojem nejsou seznámeny nebo nečetly tyto pokyny.** Elektronářadí je nebezpečné, je-li používáno nezkušenými osobami.
- e) **Pečujte o elektronářadí a příslušenství svědomitě. Zkontrolujte, zda pohyblivé díly stroje bezvadně fungují a nevzpřichují se, zda díly nejsou zlomené nebo poškozené tak, že je omezena funkce stroje. Poškozené díly nechte před nasazením stroje opravit.** Mnoho úrazů má příčinu ve špatně udržovaném elektronářadí.
- f) **Rezné nástroje udržujte ostré a čisté.** Pečlivě ošetřované rezné nástroje s ostrými reznými hranami se méně vzpřichují a dají se lehčeji vést.

- g) **Používejte elektronářadí, příslušenství, nasazovací nástroje apod. podle těchto pokynů. Respektujte přitom pracovní podmínky a prováděnou činnost.** Použití elektronářadí pro jiné než určující použití může vést k nebezpečným situacím.
- h) **Udržujte rukojeti a úchytné plochy suché, čisté a bez oleje a maziva.** Kluzké rukojeti a úchytné plochy neumožňují bezpečnou manipulaci a ovládání nářadí v neočekávaných situacích.
- 5) SVĚDOMITÉ ZACHÁZENÍ A POUŽÍVÁNÍ AKUMULÁTOROVÉHO NÁŘADÍ**
- a) **Akumulátory nabíjejte pouze v nabíječe, která je doporučena výrobcem.** Pro nabíječku, která je vhodná pro určitý druh akumulátorů, existuje nebezpečí požáru, je-li používána s jinými akumulátory.
- b) **Do elektronářadí používejte pouze k tomu určené akumulátory.** Použití jiných akumulátorů může vést k poraněním a požárům.
- c) **Nepoužívaný akumulátor uchovávejte mimo kancelářské sponky, mince, klíče, hřebíky, šrouby nebo jiné drobné kovové předměty, které mohou způsobit přemostění kontaktů.** Zkrat mezi kontakty akumulátoru může mít za následek opálení nebo požár.
- d) **Při špatném použití může z akumulátoru vytéci kapalina. Zabraňte kontaktu s ní. Při náhodném kontaktu opláchněte místo vodou. Pokud kapalina vnikne do očí, navštivte navíc i lékaře.** Vytékající akumulátorová kapalina může způsobit podráždění pokožky nebo popáleniny.
- e) **Nepoužívejte akumulátor nebo nářadí, které jsou poškozené nebo upravené.** Poškozené nebo upravené akumulátory se mohou chovat nepředvídaně a způsobit požár, výbuch nebo poranění.
- f) **Nevystavujte akumulátor nebo nářadí ohni nebo nadměrné teplotě.** Vystavení ohni nebo teplotě nad 130°C může způsobit výbuch.
- g) **Dodržujte všechny pokyny pro**

nabíjení a nenabíjejte akumulátor nebo nářadí mimo teplotní rozsah uvedený v pokynech. Nesprávné nabíjení nebo nabíjení při teplotách mimo uvedený rozsah může poškodit akumulátor a zvýšit riziko požáru.

6) SERVIS

- a) **Nechte Váš stroj opravit pouze kvalifikovaným odborným personálem a pouze s originálními náhradními díly.** Tím bude zajištěno, že bezpečnost stroje zůstane zachována.
- b) **Nikdy neprovádějte servis poškozených akumulátorů.** Servis akumulátorů by měl provádět pouze výrobce nebo autorizovaná opravna.

BEZPEČNOSTNÍ PŘEDPISY PRO AKUMULÁTOROVÝ ŠROUBOVÁK

OBCENĚ

- **Nepracovávejte žádný materiál obsahující azbest** (azbest je karcinogenní)
- Prach z látek, jako jsou barvy obsahující olovo, některé druhy dřeva, minerály a kovy, může být škodlivý (kontakt s prachem nebo jeho vdechnutí může způsobit alergickou reakci a/nebo vyvolat respirační choroby u obsluhy nebo přihlížejících); **nošte protiprachovou masku a pracujte se zařízením na odsávání prachu, pokud je možné jej připojit**
- Některé druhy prachu jsou klasifikovány jako karcinogenní (například dubový a bukový prach) zejména ve spojení s přísadami pro úpravu dřeva; **nošte protiprachovou masku a pracujte se zařízením na odsávání prachu, pokud je možné jej připojit**
- Dodržujte stanovená nařízení pro práci v prašném prostředí
- Nevystavujte nářadí/nabíječ dešti
- Nabíječ nebo nářadí nikdy nerozebírejte
- Zabezpečte, aby spínač E ② byl vždy v pozici uprostřed (zablokované) než provedete seřízení stroje nebo výměnu příslušenství, při přenášení nebo odložení stroje

NABÍJENÍ/AKUMULÁTOR

- Používejte pouze nabíječku SKIL 2610Z07379 s tímto nástrojem
- **Tuto nabíječku mohou používat děti od 8 let a osoby s omezenými fyzickými, smyslovými nebo duševními schopnostmi nebo nedostatečnými zkušenostmi a vědomostmi pouze tehdy, pokud na ně dohlíží osoba zodpovědná za jejich bezpečnost nebo pokud je tato osoba instruovala ohledně bezpečného zacházení s nabíječkou a chápou nebezpečí, která jsou s tím spojená (v opačném případě hrozí nebezpečí nesprávné obsluhy a zranění)**

- **Dohlížejte na děti (tím bude zajištěno, že si děti s nabíječkou nehrají)**
- **Čištění a údržba nabíječky dětmi se nesmí dít bez dohledu**

- Nepoužívejte k nabíjení poškozenou nabíječku
- Povolená teplota prostředí (náradí/ nabíječka/akumulátor):
 - při nabíjení 4...40°C
 - při provozu -20...+50°C
 - při skladování -20...+50°C

PŘÍSLUŠENSTVÍ

- SKIL zajistí bezvadnou funkci náradí pouze tehdy, používáte-li původní značkové

PŘED POUŽITÍM

- Vždy zkontrolujte, zda je napájecí napětí stejné jako napětí uvedené na typovém štítku nabíječe
- Vrtačku nepoužívejte je-li navlhla a nepracujte v blízkosti snadno zápalných nebo výbušných materiálů; před zahájením práce je odstraňte
- **Zajistěte obráběný díl** (obráběný díl uchycený pomocí upínacích zařízení nebo ve svěráku je mnohem bezpečnější než v ruce)
- **Použijte vhodné hledací přístroje k vyhledání skrytých přírodních vedení nebo přizvěte místní dodavatelskou společnost** (kontakt s el. vedením může vést k požáru a elektrickému úderu; poškození plynového vedení může vést k explozi; proniknutí do vodovodního potrubí může způsobit věcné škody nebo elektrický úder)

BĚHEM POUŽITÍ

- **Pokud provádíte práce, při kterých může nasazovací nástroj nebo šroub zasáhnout skrytá elektrická vedení, pak držte elektronářadí na izolovaných plochách rukojeti** (kontakt s vedením pod napětím může přivést napětí i na kovové

díly elektronářadí a vést k úderu elektrickým proudem)

- V případě atypického chování nebo cizích hluků ihned vypněte nářadí nebo vytáhněte nabíječ ze zásuvky

VYSVĚTLENÍ SYMBOLŮ NA NÁSTROJI/NABÍJEČCE

- ③ Před použitím si přečtete návod k použití
- ④ Určeno pouze k použití uvnitř budov
- ⑤ Dvojitá izolace (není nutný zemnicí drát)
- ⑥ Nesprávná polarita zapojení nabíječky by mohla způsobit nebezpečí (baterii nabíjejte pouze pomocí přiložené nabíječky)
- ⑦ Nevyhazujte elektrické nářadí a baterie do komunálního odpadu

OBSLUHA

- Nabíjení akumulátorů ⑧
! nový nebo delší dobu nepoužívaný akumulátor dává plný výkon až po ca. 5 nabíjecích a vybíjecích cyklech
 - připojte nabíječku A do stěnové zásuvky a zdířky B
 - když indikátor C svítí ZELENĚ, je akumulátor se nabíjí
 - když je akumulátor plně nabitá, zhasne indikátor C (po uplynutí 3 hodinách)
 - lithium-iontový akumulátor lze nabíjet kdykoli (přerušení nabíjení nepoškozuje akumulátor)
 - lithium-iontová baterie nemusí být před nabíjením zcela vybitá (žádná "paměť" jako u nikel-kadmiových baterií)
 - nářadí nelze během procesu nabíjení používat; není to závada, když během procesu nabíjení nefunguje
 - pokud nářadí dlouho nepoužíváte, můžete zástrčku nabíječe ze zásuvky vytáhnout
 - Zapnuto/vypnuto ⑨
 - Změna směru otáček ⑩
 - jestliže poloha doleva/doprava správně nezapadne, není možno zapnout vypínač D ②
- ! směr otáček se smí změnit pouze je-li nástroj zcela zastaven**

- Výměna hrotů ⑪
 - zasuňte hrot do držák bitů G
- ! nepoužívejte hroty s poškozeným dřívkem**
- Automatické blokavání hřídele Ovládacím tlačítkem je možné zablokovat hřídel šroubováku pro manuální dotažení či uvolnění šroubů, pokud je to nutné ⑫
- LED-kontrolka ⑬
 - LED-kontrolka H se automaticky rozsvítí při aktivaci spínače D, i když byl spínač E v prostřední (zajištěné) poloze
- Uložení hrotů J ⑭
 - Nabízí prostor pro uložení 2 hrotů v přední straně
- Indikátor akumulátoru
 - Pokud se indikátor C ② rozsvítí při napůl stlačeném spínači D ② ČERVENĚ, má akumulátor méně než 30% své kapacity a měl by se nabít
- Dvě polohy nastavení rukojeti ⑮
- Ochrana baterie
 - Vypne nástroj v následujících případech
 - teplota baterie stoupne příliš vysoko (> +65°C)
 - lithium-iontová baterie je téměř vybitá (ochrana před přílišným vybitím)

NÁVOD K POUŽITÍ

- Používejte správné vrtáky ⑯
 - ! nepoužívejte poškozené hroty**
 - ! používejte pouze hroty se stopkami šestihran**
- Při šroubovávání šroubu na konci nebo na začátku nějakého dřeva by měla být předvrtána díra, aby se zamezilo rozštípnutí dřeva
- Pro optimální využití přístroje je nutno zvolit odpovídající tlak na šroub, zvláště při vyšroubování
- Při šroubování do tvrdého dřeva, je nutno díru předvrtat
- Další informace najdete na www.skil.com

ÚDRŽBA / SERVIS

- Tento nástroj není určen k profesionálnímu použití
- Udržujte nářadí a nabíječ čisté
! před čištěním vytáhněte vždy nabíječ ze zásuvky

- Pokud dojde i přes pečlivou výrobu a náročné kontroly k poruše nástroje/ nabíječe, svěďte provedení opravy autorizovanému servisnímu středisku pro elektronářadí firmy SKIL
 - zašlete nástroj nebo nabíječ **nerozebraný** spolu s potvrzením o nákupu své prodejny nebo nejbližšímu servisu značky SKIL (adresy a servisní schema nástroje najdete na www.skil.com)
- Uvědomte si, že na poškození způsobené přetížením nebo nesprávným zacházením se nevztahuje záruka (záruční podmínky společnosti SKIL najdete na adrese www.skil.com nebo se obraťte na prodejce)

ŽIVOTNÍ PROSTŘEDÍ

- **Elektrické nářadí, doplňky a balení nevyhazujte do komunálního odpadu** (jen pro státy EU)
 - podle evropské směrnice 2012/19/EG o nakládání s použitými elektrickými a elektronickými zařízeními a odpovídajících ustanovení právních předpisů jednotlivých zemí se použitá elektrická nářadí, musí sbírat odděleně od ostatního odpadu a podrobit ekologicky šetrnému recyklování
 - symbol ⑦ na to upozorňuje
- **před vyřazením nástroje vyjměte baterie**
- Vyjmutí/likvidace baterií ⑩
 - ! **vyjměte baterie pouze pokud jsou úplně vybité**
 - ochraňte koncovky baterie pomocí silné pásky, abyste zabránili zkratu
 - likvidujte baterie v úředně stanovených sběrnách pro baterie
 - ! **baterie při vhození do ohně explodují, proto je nikdy nevhazujte do otevřeného plamene**

HLUČNOSTI / VIBRACÍ

- Měřeno podle EN 60745 činí tlak hlukové vlny tohoto přístroje <70 dB(A) (standardní odchylka: 3 dB) a vibrací <2,5 m/s² (vektorový součet tří os; nepřesnost K = 1,5 m/s²)

- Úroveň vibrací byla měřena v souladu se standardizovaným testem podle EN 60745; je možné ji použít ke srovnání jednoho přístroje s druhým a jako předběžné posouzení vystavování se vibracím při používání přístroje k uvedeným aplikacím
 - používání přístroje k jiným aplikacím nebo s jiným či špatně udržovaným příslušenstvím může zásadně **zvýšit** úroveň vystavení se vibracím
 - doba, kdy je přístroj vypnutý nebo kdy běží, ale ve skutečnosti není využíván, může zásadně **snížit** úroveň vystavení se vibracím
- ! **chraňte se před následky vibrací tak, že budete dbát na údržbu přístroje a příslušenství, budete si udržovat teplé ruce a uspořádáte si své pracovní postupy**

TR

**Akülü vidalama
makinesi**

2710

GİRİŞ

- Bu üründe ki sağ/sol dönüş özelliği aḡşap türü malzemelerde vidalama ve ön delme için geliştirilmiştir
- Bu alet profesyonel kullanıma yönelik değildir
- Bu kullanıma kılavuzunu okuyun ve saklayın ③

TEKNİK VERİLER ①

ISO 5393'e göre sert vidalamada maksimum tork : 7Nm

ALET BİLEŞENLERİ ②

- A Şarj cihazı
- B Şarj cihazı temas noktası
- C Batarya şarj süre göstergesi
- D Açma/kapama şalteri
- E Dönüş yönü değiştirme düğmesi
- F Pivot açma düğmesi
- G Manyetik uç tutucu
- H LED-ışığı
- J Uç deposu

GÜVENLİK

GENEL ELEKTRİKLİ EL ALETİ GÜVENLİK UYARILARI

⚠ UYARI Bu elektrikli alet ile birlikte verilen tüm uyarıları, talimatları, resimleri ve özellikleri okuyun. Aşağıda listelenen talimatların tamamına uyulmaması durumunda elektrik çarpması, yangın ve/veya ciddi yaralanmalar meydana gelebilir.

Tüm uyarı ve talimatları ilerde kullanmak üzere saklayın.

Uyarı ve talimat hükümlerinde kullanılan "elektrikli el aleti" kavramı, akım şebekesine bağlı (şebeke bağlantı kablosu ile) aletlerle akü ile çalışan aletleri (akım şebekesine bağlantısı olmayan aletler) kapsamaktadır.

1) ÇALIŞMA YERİ GÜVENLİĞİ

- Çalıştığınız yeri temiz ve düzenli tutun.** Düzensizlik veya yetersiz aydınlatma kazalara neden olabilir.
- Yanıcı sıvıların, gazların veya tozların bulunduğunu patlama tehlikesi olan yer ve mekânlarda aletle çalışmayın.** Elektrikli el aletleri, toz veya buharların tutuşmasına veya yanmasına neden olan kıvılcımlar çıkarırlar.

- Elektrikli el aletiyle çalışırken çocukları ve başkalarını çalışma alanınızın uzağında tutun.** Yakınızdaki bulunan kişiler dikkatinizi dağıtabilir ve bu da alet üzerindeki kontrolünüzü kaybetmenize neden olabilir.

2) ELEKTRİKSEL GÜVENLİK

- Aletin bağlantı fişi prize uymalıdır. Fişi hiçbir şekilde değiştirmeyin. Koruyucu topraklamalı aletlerle adaptörlü fiş kullanmayın.** Değiştirilmemiş, orijinal fiş ve uygun prizler elektrik çarpması tehlikesini azaltır.
- Borular, kalorifer tesisatı, ısıtıcılar ve buzdolapları gibi topraklanmış yüzeylerle bedensel temasa geçmekten kaçının.** Eğer bedeniniz topraklanacak olursa yüksek bir

- elektrik çarpması tehlikesi ortaya çıkar.
- Aleti yağmur ve nemden koruyun.** Elektrikli el aletinin içine suyun sızması elektrik çarpması tehlikesini yükseltir.
 - Kabloyu kendi amacı dışında kullanmayın; örneğin aleti kablodan tutarak taşımayın, aleti kablo ile asmayın veya kablodan çekerek fişi prizden çıkarmayın. Kabloyu aşırı sıcaktan, yağlardan, keskin kenarlı cisimlerden veya aletin hareketli parçalarından uzak tutun.** Hasarlı veya dolaşmış kablo elektrik çarpması tehlikesini yükseltir.
 - Elektrikli el aletiyle açık havada çalışırken mutlaka açık havada kullanılmaya uygun uzatma kablosu kullanın.** Açık havada kullanılmaya uygun uzatma kablosunun kullanılmasına elektrik çarpması tehlikesini azaltır.
 - Elektrikli el aletinin nemli ortamlarda çalıştırılması şartsa, mutlaka kaçak akım cihazı (RCD) kullanın.** RCD kullanımı elektrik çarpması tehlikesini azaltır.
- #### 3) KİŞİLERİN GÜVENLİĞİ
- Dikkatli olun, ne yaptığınıza dikkat edin ve elektrikli el aletiyle çalışırken makul hareket edin.** Yorgunsanız, ilaç kullanıyorsanız veya uyuşturucu madde ya da alkol etkisi altındaysanız aleti kullanmayın. Aleti kullanırken bir anlık dikkatsizliğiniz ciddi yaralanmalara yol açabilir.
 - Daima kişisel korunma donanımları ve bir koruyucu gözlük kullanın.** Elektrikli el aletinin türü ve kullanımına uygun olarak kullanacağınız toz maskesi, kaymayan sağlam iş ayakkabıları, koruyucu kask veya koruyucu kulaklık gibi kişisel korunma donanımlarını kullanmanız yaralanma tehlikesini büyük ölçüde azaltır.
 - Aleti yanlışlıkla çalıştırmaktan kaçının.** Akım ikmal şebekesine ve/veya aküye bağlamadan, elinize alıp taşımadan önce elektrikli el aletinin kapalı durumda olduğundan emin olun. Elektrikli el aletini parmağınız şalter üzerinde dururken taşıyorsanız ve alet açıkken fişi prize sokarsanız kazalara neden olabilirsiniz.

- d) **Aleti çalıştırmadan önce ayar uzaklarını veya tornavidaları aletten uzaklaştırın.** Dönen alet parçasına temas halinde bulunan bir uç veya anahtar yaralanmalara neden olabilir.
- e) **Kendinize çok fazla güvenmeyin. Duruşunuzun güvenli olmasına dikkat edin ve daima dengenizi koruyun.** Bu sayede aleti beklenmedik durumlarda daha iyi kontrol edersiniz.
- f) **Uygun iş elbiseleri giyin. Geniş giysiler giymeyin ve takı takmayın. Saçlarınızı ve giysilerinizi aletin hareketli parçalarından uzak tutun.** Bol giysiler, takılar veya uzun saçlar aletin hareketli parçaları tarafından tutulabilir.
- g) **Aletinize toz emme donanımı ve toz tutma donanımı takılabiliyorsa, bunların bağlı olup olmadığını ve doğru işlev görüp görmediklerini kontrol edin.** Toz emme donanımının kullanımı tozdan kaynaklanabilecek tehlikeleri azaltır.
- h) **Aletleri sık kullanmanız sebebiyle kazandığınız alışkanlıklar, güvenlik prensiplerine uymazı önlememlidir.** Dikkatsiz bir hareket, bir anda ciddi yaralanmalara yol açabilir.
- 4) ELEKTRİKLİ EL ALETLERİYLE DİKKATLİ ÇALIŞMAK VE ALETİ DOĞRU KULLANMAK**
- a) **Aleti aşırı ölçüde zorlamayın. İşinize uygun elektrikli el aletini kullanın.** Uygun elektrikli el aleti ile belirtilen performans alanında daha iyi ve daha güvenli çalışırsınız.
- b) **Açma/kapama şalteri arızalı olan elektrikli el aletini kullanmayın.** Açılıp kapanamayan bir elektrikli el aleti tehlikelidir ve onarılması gerekir.
- c) **Alette bir ayarlama işlemine başlamadan, herhangi bir aksesuarı değiştirirken veya aleti elinizden bırakırken fişi prizden çekin veya aküyü çıkarın.** Bu önlem, elektrikli el aletin yanlışlıkla çalışmasını önler.
- d) **Kullanım dışında iken elektrikli el aletinizi çocukların ulaşamayacağı bir yerde saklayın. Aleti kullanmayı bilmeyen veya bu güvenlik talimatını okumayan kişilerin**

- aleti kullanmasına izin vermeyin.** Deneyimsiz kişiler tarafından kullanıldıkları takdirde elektrikli el aletleri tehlikeli olabilirler.
- e) **Elektrikli el aletin ve aksesuarların bakımını özenle yapın. Aletin hareketli parçalarının kusursuz işlev görüp görmediklerini ve sıkışmadıklarını, parçaların kırık veya hasarlı olup olmadıklarını kontrol edin, aksi takdirde alet işlevini tam olarak yerine getiremez. Aleti kullanmadan önce hasarlı parçaları onartın.** Birçok iş kazası aletlerin kötü ve yetersiz bakımından kaynaklanır.
- f) **Kesici uçları keskin ve temiz tutun.** İyi bakım görmüş kesici uçlar daha ender sıkışır ve daha iyi yönlendirilirler.
- g) **Elektrikli el aletlerini, aksesuarı, uçları ve benzerlerini bu güvenlik talimatına uygun olarak kullanın. Aleti kullanırken çalışma koşullarını ve yaptığınız işi daima dikkate alın.** Elektrikli el aletlerini kendileri için öngörülen işlerin dışında kullanmak tehlikeli durumların ortaya çıkmasına neden olabilir.
- h) **Tutamak ve kavrama yüzeylerini kuru, yağsız ve temiz tutun.** Kaygan tutamak ve kavrama yüzeyleri, aletin beklenmeyen durumlarda güvenli şekilde tutulmasını ve kontrol edilmesini engeller.
- 5) AKÜLÜ ALETLERLE DİKKATLİ ÇALIŞMAK VE ALETLERİ DOĞRU KULLANMAK**
- a) **Aküleri sadece üretici tarafından tavsiye edilen şarj cihazlarında şarj edin.** Belirli bir tür akü için geliştirilmiş bir şarj cihazının değişik bir akü için kullanılması yangın tehlikesine yol açar.
- b) **Elektrikli el aletlerinde sadece o alet için öngörülen aküleri kullanın.** Başka akülerin kullanılması yaralanmalara ve yangın tehlikesinin ortaya çıkmasına neden olabilir.
- c) **Kullanım dışında bulunan aküleri, kontaklar arasında köprüleme yapma olasılığı bulunan büro ataçları, madeni paralar, anahtarlar, çiviler, vidalar veya diğer küçük metal eşya ve cisimlerden uzak**

tutun. Akü kontakları arasındaki bir kısa devre yanmalara veya yangın çıkmasına neden olabilir.

- d) **Yanlış kullanımda durumunda akünün dışına sıvılar sızabilir. Bu sıvılara temas etmeyin. Yanlışlıkla aküden sızan sıvılara temas ederseniz, temas yerini hemen su ile yıkayın. Eğer söz konusu sıvı gözünüze kaçacak olursa hemen bir hekime başvurun.** Aküden dışarı sızan sıvılar cildinizde tahrişlere veya yanmalara neden olabilir.
- e) **Hasarlı veya değiştirilmiş akü veya el aleti kullanmayın.** Hasarlı veya değiştirilmiş aküler beklenmedik davranışlara yol açarak yangın, patlama ve yaralanmalara neden olabilir.
- f) **Akü veya aleti ateşe veya yüksek sıcaklıklara maruz bırakmayın.** Ateşe veya 130°C üstündeki sıcaklıklara maruz kalma patlamalara yol açabilir.
- g) **Tüm şarj talimatlarını uygulayın ve akü ya da aleti talimatlarda belirtilen sıcaklık aralığının dışında şarj etmeyin.** Hatalı şarj veya belirtilen aralık dışındaki sıcaklıklarda şarj aküye zarar vererek yangın riskini yükseltebilir.
- 6) **SERVİS**
- a) **Aleti sadece uzman bir elemana ve orijinal yedek parçalar kullanarak onartın.** Böylelikle aletin güvenliğini korumuş olursunuz.
- b) **Hasarlı akülerde onarım işlemi yapmayın.** Akülerin onarımı sadece üretici veya yetkili servisler tarafından yapılmalıdır.

AKÜLÜ VIDALAMA MAKİNESİ İÇİN GÜVENLİK TALİMATI

GENEL

- **Bu aletle asbest içeren malzemeleri işlemeyin** (asbest kanserojen bir madde kabul edilir)
- Kurşun içeren boya, bazı ahşap türleri, mineral ve metal gibi malzemelerden çıkan toz zararlı olabilir (tozla temasta bulunulması veya solunması operatörde veya yakında bulunan kişilerde alerjik reaksiyonlara ve/veya

solunum yolu hastalıklarına neden olabilir); **toz maskesi takın ve toz ekstraksiyon cihazıyla çalışın (bağlanabiliyorsa)**

- Bazı toz tipleri (örneğin meşe ve kayın ağacı tozu), bilhassa ahşap yenileme katkı maddeleriyle birlikte, karsinojenik olarak sınıflandırılır; **toz maskesi takın ve toz ekstraksiyon cihazı ile çalışın (bağlanabiliyorsa)**
- Çalışmak istediğiniz malzemelerin, toz ile ilgili ulusal taleplerini takip edin
- Aleti ve şarj cihazını hiçbir zaman yağmur altında bırakmayın
- Şarj cihazını ve aleti hiçbir zaman sökmeyi denemeyin
- Herhangi bir aksesuar değişikliği ya da ayarlama yapmadan veya cihaz hareket halindeyken ve/veya boşta bekler vaziyette iken, E ② düğmesinin orta pozisyonda (kilit pozisyonu) olduğuna emin olun

ŞARJ/BATARYALAR

- Bu aletle birlikte sadece SKIL şarj cihazını 2610Z07379 kullanın
- **Bu şarj cihazı 8 yaşından itibaren çocuklar ve fiziksel, duyuusal veya zihinsel yetenekleri sınırlı ve yeterli deneyim ve bilgiye sahip olmayan kişiler tarafından ancak denetim altında veya şarj cihazının güvenli kullanımını hakkında aydınlatıldıkları ve bu kullanıma bağlı tehlikeleri**

**kavradıkları
takdirde
kullanılabilir**
(aksi takdirde
hatalı kullanım ve
yaralanma tehlikesi
vardır)

- **Çocuklara göz
kulak olun** (bu
yolla çocukların şarj
cihazı ile oynamasını
önleyebilirsiniz)
- **Şarj cihazının
temizliği ve
bakımı çocuklar
tarafından
denetimsiz
biçimde yapılamaz**

- Hasarlı şarj cihazını çalıştırmayın
- İzin verilen ortam sıcaklığı (aleti/şarj cihazını/batarya):
 - şarjda 4...40°C
 - işletmede -20...+50°C
 - depolamada -20...+50°C

AKSESUARLAR

- SKIL sadece orijinal aksesuarlar kullanıldığında aletin düzgün çalışmasını garanti eder

KULLANMADAN ÖNCE

- Güç geriliminin, şarj cihazının özellik plakasında belirtilen voltaj değeriyle aynı olduğunu sık sık kontrol edin
- İş parçasının vida, çivi ve benzeri malzeme tarafından hasar görmemesi için dikkatli olun; çalışmaya başlamadan önce bunları çıkartın
- **Çalıştığınız parçayı sabitleyin** (kıskaçlarla ya da mengeneyele sabitlenmiş bir iş parçası elle tutulan işten daha güvenilirdir)
- **Görünmeyen elektrik kablolarını belirlemek için uygun bir tarama**

**cihazı kullanın veya yerel akım
ikmal şirketlerinden yardım isteyin**
(elektrik kablolarıyla temas, yangın çıkmasına veya elektrik çarpmalarına neden olabilir; bir gaz borusu hasar görürse patlama tehlikesi ortaya çıkar; bir su borusunun delinmesi halinde maddi hasarlar meydana gelebilir veya elektrik çarpma tehlikesi ortaya çıkabilir)

KULLANIM SIRASINDA

- **Çalışma esnasında uç veya vidanın görünmeyen akım kablolarına temas etme olasılığı bulunan işleri yaparken aleti izolasyonlu tutamaklarından tutun** (gerilim ileten kablolarla temas, aletin metal parçalarını gerilime maruz bırakabilir ve bu da elektrik çarpmasına neden olabilir)
- Alet normal çalışmıyorsa veya değişik gürültüler geliyorsa, aleti hemen kapatın veya şarj cihazın fişini prizden çekin

ALET/ŞARJ CİHAZI ÜZERİNDE BULUNAN İŞARETLERİN AÇIKLAMASI

- ③ Kullanmadan önce kılavuzu okuyun
- ④ Şarj aletini yalnızca kapalı yerlerde kullanın
- ⑤ Çift yalıtım (topraklama kablosu gerekli değildir)
- ⑥ Şarj aleti bağlantısının hatalı kutup bağlantısının olması bir tehlikeye neden olabilir (pili yalnızca birlikte gelen şarj aletiyle şarj edin)
- ⑦ Elektrikli aletlerini ve pilleri evdeki çöp kutusuna atmayın

KULLANIM

- Bataryanın şarjı ⑧
! yeni veya uzun süre kullanılmamış bir batarya ancak yaklaşık 5 kez şarj/deşarj olduktan sonra tam performansına ulaşır
 - şarj cihazını A duvar prizi ve temas noktası ile bağlayın B
 - akü şarj edilirken göstergesi C YEŞİL yanar
 - akü tamamen şarj olduğunda göstergesi C söner (yaklaşık 3 saat süren)
 - lityum-iyon pil istediğiniz zaman şarj edilebilir (şarj işleminin yarıda

kesilmesi pile zarar vermez)

- lityum-iyon pillerinin şarj edilmeden önce boşalmasına gerek yoktur (nikel cadmium piller gibi "hafıza etkisi" yoktur)
- aleti şarj işlemi esnasında kullanılamaz; şarj işlemi esnasında işlev görmeyen aleti arızalı değildir
- aletinizi uzun süre kullanmayacaksanız, şarj cihazının şebeke fişini prizden çekin
- Açma/kapama ⑨
- Dönüş yönünü değiştirme ⑩
 - sol/sağ pozisyonları doğru olarak kilitleme yapmadığı takdirde, açma/kapama şalteri D ② çalışmaz
- ! **dönüş yönünü sadece alet tamamen dururken değiştirin**
- Uçları değiştirme ⑪
 - uçları uç tutucusunun G sonununa kadar itin
- ! **hasarlı uçları kullanmayın**
- Otomatik elle sıkıştırılabilen mandren Gerektiğinde uçları el ile sıkma veya gevşetme özelliğidir ⑫
- LED-ışığı ⑬
Anahtar E orta (kilitleme) pozisyonunda bile olsa, anahtar D etkinleştirilirken LED ışık H otomatik olarak yanar
- Uç deposu J ⑭
Ön tarafta 2 uç için depo sağlar
- Batarya şarj süre göstergesi Durumu göstergesi C ② yan basılı şalterinde D ② KIRMIZI olarak yanarsa, akü kapasitesinin %30'undan daha az bir kapasiteye sahip demektir ve şarj edilmelidir
- İki el pozisyonunda kullanma özelliği ⑭
- Pil koruma
Aşağıdaki durumlar oluştuğunda aleti otomatik olarak kapatır
batarya sıcaklığı çok arttığında (> +65°C)
lityum-iyon pil bitmeye yakinken (aşırı boşalmaya karşı koruma sağlamak için)

UYGULAMA ÖNERİLERİ

- Uygun uçları kullanın ⑬
! **hasarlı uçları kullanmayın**
! **sadece altıgen uçlar kullanın**
- Bir tahtanın baş kısmına veya sonuna bir vida vidalanırken, tahtanın

yarılmaması için bir ön kılavuz delik açın

- Aletin optimal kullanımı için vidanın üzerine sürekli baskı uygulanmalıdır
- Sert tahtaya vidalama yapmadan önce, bir ön kılavuz delik açılmalıdır
- Daha fazla bilgi için www.skil.com adresine bakın

BAKIM / SERVİS

- Bu alet profesyonel kullanıma yönelik değildir
- Aletinizi ve şarj cihazınızı daima temiz tutun
- ! **şarj cihazını temizlemeden önce, cihazın fişini prizden çekin**
- Dikkatli biçimde yürütülen üretim ve test yöntemlerine rağmen alet/şarj cihazı arıza yapacak olursa, onarım SKIL elektrikli aletleri için yetkili bir serviste yapılmalıdır
 - aleti veya şarj cihazını ambalajıyla birlikte satın alma belgenizde ekleyerek satıcınıza veya en yakın SKIL servisine ulaştırın (adresler ve aletin servis şemaları www.skil.com adresinde listelenmiştir)
- Aşırı yüklenme ve yanlış kullanım aleti garanti kapsamından çıkaracağını unutmayın (SKIL garanti koşulları için www.skil.com adresine bakın veya satıcınıza başvurun)

ÇEVRE

- **Elektrikli aletlerini, aksesuarları ve ambalajları evdeki çöp kutusuna atmayın** (sadece AB ülkeleri için)
 - kullanılmış elektrikli aletleri, elektrik ve elektronik eski cihazlar hakkındaki 2012/19/EC Avrupa yönergelerine göre ve bu yönergeler ulusal hukuk kurallarına göre uyarlanarak, ayrı olarak toplanmalı ve çevre şartlarına uygun bir şekilde tekrar değerlendirmeye gönderilmelidir
 - sembol ⑦ size bunu anımsatmalıdır
- ! **aleti atmadan önce pilleri çıkarın**
- Pillerin çıkarılması/atılması ⑮
! **pilleri yalnızca tamamen boşalmışlarsa çıkarın**
 - kısa devre oluşmasını önlemek için pil terminallerini kalın bantla kapatın

- pilleri sadece pillere özel bir toplama noktasına atın

! piller ateşe maruz kaldığında patlar, bu yüzden herhangi bir nedenle pili yakmayın

GÜRÜLTÜ / TITREŞİM

- Ölçülen EN 60745 göre ses basıncı bu makinanın seviyesi <70 dB(A) (standart sapma: 3 dB) ve titreşim <2,5 m/s² (üç yönün vektör toplamı; tolerans K = 1,5 m/s²)
 - Titreşim emisyon seviyesi EN 60745'te sunulan standart teste göre ölçülmüştür; bu seviye, bir aleti bir başkasıyla karşılaştırmak amacıyla ve aletin söz konusu uygulamalarda kullanılması sırasında titreşime maruz kalma derecesinin ön değerlendirmesi olarak kullanılabilir
 - aletin farklı uygulamalar için veya farklı ya da bakımı yetersiz yapılmış aksesuarlarla kullanılması, maruz kalma seviyesini belirgin biçimde **artırabilir**
 - aletin kapalı olduğu veya çalıştığı ancak gerçek anlamda iş yapmadığı zamanlarda, maruz kalma seviyesi belirgin biçimde **azalabilir**
- ! aletin ve aksesuarlarının bakımını yaparak, ellerinizi sıcak tutarak ve iş modellerinizi düzenleyerek kendinizi titreşimin etkilerinden koruyun**

PL

**Akumulatorowa 2710
wkrętarka**

WSTĘP

- Narzędzie z obrotami lewo/prawo to przeznaczone jest do wkręcania oraz wstępnego wiercenia w drewnie
- Narzędzie nie jest przeznaczone do zastosowań profesjonalnych
- Przeczytać i zachować niniejszą instrukcję obsługi ③

DANE TECHNICZNE ①

Maks. moment obrotowy twardego wkręcania wg ISO 5393 : 7Nm

ELEMENTY NARZĘDZIA ②

- A Ładowarka
- B Gniazdko do ładowarki
- C Wskaźnik poziomu naładowania akumulatora
- D Włacznik/wyłącznik
- E Przełącznik zmiany kierunku rotacji
- F Pokrętko odblokowania trzpienia
- G Uchwyt magnetyczny
- H Lampka LED
- J Schowek końcówek

BEZPIECZEŃSTWO

OGÓLNE OSTRZEŻENIA DOTYCZĄCE BEZPIECZEŃSTWA UŻYTKOWANIA ELEKTRONARZĘDZIA

! OSTRZEŻENIE Należy przeczytać wszystkie ostrzeżenia dotyczące bezpieczeństwa, instrukcje, ilustracje i dane techniczne dostarczone z tym elektronarzędziem. Nieprzestrzeganie wszystkich poniższych instrukcji może skutkować porażeniem prądem, pożarem i/lub poważnym obrażeniem ciała.

Wszystkie ostrzeżenia i wskazówki należy zachować do dalszego zastosowania.

Użyte w poniższym tekście pojęcie "elektronarzędzie" odnosi się do elektronarzędzi zasilanych energią elektryczną z sieci (z przewodem zasilającym) i do elektronarzędzi zasilanych akumulatorami (bez przewodu zasilającego).

1) BEZPIECZEŃSTWO MIEJSCA PRACY

- Miejsce pracy należy utrzymywać w czystości i dobrze oświetlone.** Nieporządek lub nie oświetlone miejsce pracy mogą doprowadzić do wypadków.
- Nie należy pracować tym narzędziem w otoczeniu zagrożonym wybuchem, w którym znajdują się np. łatwopalne ciecze, gazy lub pyły.** Elektronarzędzia wytwarzają iskry, które mogą podpałić ten pył lub pary.

- c) **Elektronarzędzie trzymać podczas pracy z daleka od dzieci i innych osób.** Przy nieuwadze można stracić kontrolę nad narzędziem.
- 2) **BEZPIECZEŃSTWO ELEKTRYCZNE**
- a) **Wtyczka urządzenia musi pasować do gniazda. Nie wolno modyfikować wtyczki w jakikolwiek sposób. Nie należy używać wtyczek adapterowych razem z uziemnionymi narzędziami.** Niezmienione wtyczki i pasujące gniazda zmniejszają ryzyko porażenia prądem.
- b) **Należy unikać kontaktu z uziemnionymi powierzchniami jak rury, grzejniki, piece i lodówki.** Istnieje zwiększone ryzyko porażenia prądem, gdy Państwa ciało jest uziemnione.
- c) **Urządzenie należy przechowywać zabezpieczone przed deszczem i wilgocią.** Wniknięcie wody do elektronarzędzia podwyższa ryzyko porażenia prądem.
- d) **Nigdy nie należy używać kabla do innych czynności. Nigdy nie używać kabla do noszenia urządzenia za kabel, zawieszania lub do wyciągania wtyczki z gniazda. Kabel należy trzymać z daleka od wysokich temperatur, oleju, ostrych krawędzi lub ruchomych części urządzenia.** Uszkodzone lub poplątane kable zwiększają ryzyko porażenia prądem.
- e) **W przypadku, kiedy elektronarzędziem pracuje się na świeżym powietrzu należy używać kabla przedłużającego, który dopuszczony jest do używania na zewnątrz.** Użycie dopuszczonego do używania na zewnątrz kabla przedłużającego zmniejsza ryzyko porażenia prądem.
- f) **Jeżeli nie da się uniknąć zastosowania elektronarzędzia w wilgotnym otoczeniu, należy użyć wyłącznika ochronnego różnicowo-prądowego.** Zastosowanie wyłącznika ochronnego różnicowo-prądowego zmniejsza ryzyko porażenia prądem.
- 3) **BEZPIECZEŃSTWO OSÓB**
- a) **Należy być uważnym, uważać na to co się robi i pracę elektronarzędziem rozpoczynając z rozsądkiem. Nie należy używać urządzenia gdy jest się zmęczonym lub pod wpływem narkotyków, alkoholu lub leków.** Moment nieuwagi przy użyciu urządzenia może doprowadzić do poważnych urażeń ciała.
- b) **Należy nosić osobiste wyposażenie ochronne i zawsze okulary ochronne.** Noszenie osobistego wyposażenia ochronnego jak maska przeciwpyłowa, nie ślizgające się buty robocze, hełm ochronny lub ochrona słuchu, w zależności od rodzaju i zastosowania elektronarzędzia zmniejsza ryzyko obrażeń ciała.
- c) **Należy unikać niezamierzonego uruchomienia narzędzia. Przed włożeniem wtyczki do gniazdka i/lub podłączeniem do akumulatora, a także przed podniesieniem lub przeniesieniem elektronarzędzia, należy upewnić się, że elektronarzędzie jest wyłączone.** Trzymanie palca na wyłączniku podczas przenoszenia elektronarzędzia lub podłączenie do prądu włączonego narzędzia, może stać się przyczyną wypadków.
- d) **Zanim urządzenie zostanie włączone należy usunąć narzędzia nastawcze lub klucze.** Narzędzie lub klucz, które znajdują się w ruchomych częściach urządzenia mogą doprowadzić do obrażeń ciała.
- e) **Nie należy przeceniać swoich możliwości. Należy dbać o bezpieczną pozycję pracy i zawsze utrzymywać równowagę.** Przez to możliwa jest lepsza kontrola urządzenia w nieprzewidzianych sytuacjach.
- f) **Należy nosić odpowiednie ubranie. Nie należy nosić luźnego ubrania lub biżuterii. Włosy i ubranie należy trzymać z daleka od ruchomych elementów.** Luźne ubranie, biżuteria lub długie włosy mogą zostać pociągnięte przez poruszające się części.
- g) **W przypadku, kiedy możliwe jest zamontowanie**

urządzeń odsysających lub podchwytyjących należy upewnić się, czy są one właściwie podłączone i prawidłowo użyte.

Użycie urządzenia odsysającego pył może zmniejszyć zagrożenie pyłami.

- h) **Nie wolno pozwolić, aby rutyna nabyta w wyniku wielokrotnego użycia elektronarzędzia, zastąpiła ściśle przestrzeganie zasad bezpieczeństwa.** Niedbale obsługiwane elektronarzędzie może w ułamku sekundy wyrządzić istotne szkody lub spowodować ciężkie obrażenia.
- 4) **UWAŻNE OBCOWANIE ORAZ UŻYCIE ELEKTRONARZĘDZIA**
- a) **Nie należy przeciążać urządzenia. Do pracy używać należy elektronarzędzia, które jest do tego przewidziane.** Odpowiednim narzędziem pracuje się lepiej i bezpieczniej w podanym zakresie sprawności.
- b) **Nie należy używać elektronarzędzia, którego włącznik/wyłącznik jest uszkodzony.** Elektronarzędzie, którego nie można włączyć lub wyłączyć jest niebezpieczne i musi zostać naprawione.
- c) **Przed rozpoczęciem jakichkolwiek prac nastawczych, przed wymianą osprzętu lub przed odłożeniem elektronarzędzia należy wyjąć wtyczkę z gniazda sieciowego i/lub usunąć akumulator.** Ten środek ostrożności zapobiega niezamierzonemu włączeniu się urządzenia.
- d) **Nie używane elektronarzędzia należy przechowywać poza zasięgiem dzieci. Nie należy udostępniać narzędzia osobom, które jego nie umieją lub nie przeczytały tych przepisów.** Używane przez niedoświadczonych osoby elektronarzędzia są niebezpieczne.
- e) **Elektronarzędzia i osprzęt należy utrzymywać w nienagannym stanie technicznym. Należy kontrolować, czy ruchome części urządzenia funkcjonują bez zarzutu i nie są zablokowane, czy części nie**

są pęknięte lub uszkodzone, co mogłoby mieć wpływ na prawidłowe funkcjonowanie urządzenia. Uszkodzone narzędzie należy przed użyciem urządzenia oddać do naprawy. Wiele wypadków spowodowanych jest przez niewłaściwą konserwację elektronarzędzi.

- f) **Osprzęt tnący należy utrzymywać ostry i czysty.** Starannie pielęgnowany osprzęt tnący z ostrymi krawędziami tnącymi blokuje się rzadziej i łatwiej się używa.
- g) **Elektronarzędzia, osprzęt, narzędzia itd. należy używać odpowiednio do tych przepisów. Uwzględnić należy przy tym warunki pracy i czynność do wykonania.** Użycie elektronarzędzi do innych niż przewidziane prace może doprowadzić do niebezpiecznych sytuacji.
- h) **Uchwyty i powierzchnie chwytowe powinny być zawsze suche, czyste, niezabrudzone olejem ani smarem.** Śliskie uchwyty i powierzchnie chwytowe nie pozwalają na bezpieczne trzymanie narzędzia i kontrolę nad nim w nieoczekiwanych sytuacjach.
- 5) **UWAŻNE OBCOWANIE I UŻYWANIE NARZĘDZI ZASILANYCH AKUMULATORAMI**
- a) **Akumulatory należy ładować tylko w ładowarkach, które polecił producent.** W ładowarce, która nadaje się do ładowania określonych akumulatorów istnieje niebezpieczeństwo pożaru, gdy użyte zostaną inne akumulatory.
- b) **Do elektronarzędzi należy używać jedynie przewidzianych do tego akumulatorów.** Użycie innych akumulatorów może doprowadzić do obrażeń ciała i niebezpieczeństwa pożaru.
- c) **Nie używany akumulator należy trzymać z daleka od spinaczy, monet, kluczy, gwoździ, śrub lub innych małych przedmiotów metalowych, które mogłyby spowodować zwarcie kontaktów.** Zwarcie pomiędzy kontaktami akumulatora może spowodować

oparzenia lub pożar.

- d) **Przy niewłaściwym użyciu możliwe jest wydostanie się cieczy z akumulatora. Należy unikać kontaktu z nią. Przy przypadkowym kontakcie splukać wodą. W przypadku, że ciecz dostała się do oczu należy dodatkowo skonsultować się z lekarzem.** Ciecz akumulatorowa może doprowadzić do podrażnienia skóry lub oparzeń.
- e) **Nie wolno użytkować uszkodzonych ani modyfikowanych akumulatorów i elektronarzędzi.** Uszkodzone lub przerabiane akumulatory mogą się nieprzewidzianie zachować, powodując niebezpieczne dla zdrowia skutki (zapłon, eksplozja, obrażenia ciała).
- f) **Akumulator należy trzymać z dala od ognia oraz chronić przed ekstremalnymi temperaturami.** Wskutek działania ognia lub temperatury przekraczającej 130°C akumulator może eksplodować.
- g) **Należy stosować się do wszystkich wskazówek dotyczących ładowania. Nie wolno ładować akumulatora lub elektronarzędzia w temperaturze znajdującej się poza zakresem sprecyzowanym w niniejszej instrukcji.** Niezgodne z instrukcją ładowanie lub ładowanie w temperaturze nie mieszczącej się w zalecanym zakresie może spowodować uszkodzenie akumulatora oraz zwiększa ryzyko pożaru.
- 6) **SERWIS**
- a) **Naprawę urządzenia należy zlecić jedynie kwalifikowanemu fachowcowi i przy użyciu oryginalnych części zamiennych.** To gwarantuje, że bezpieczeństwo użytkowania zostanie zachowane.
- b) **Nie wolno w żadnym wypadku naprawiać uszkodzonego akumulatora.** Naprawy akumulatora można dokonywać wyłącznie u producenta lub w autoryzowanym punkcie serwisowym.

PRZEPISY BEZPIECZEŃSTWA DO AKUMULATOROWEJ WKRĘTARKI

OGÓLNE

- **Nie należy obrabiać materiału zawierającego azbest** (azbest jest rakotwórczy)
- Pył pochodzący z takich materiałów, jak farby zawierające ołów, niektóre gatunki drzewa, minerały i metal może być szkodliwy (kontakt z nim lub wdychanie takiego pyłu może powodować reakcje alergiczne i/lub niewydolność oddechową u operatora lub osób towarzyszących); **należy zakładać maskę przeciwpyłową i pracować z urządzeniem odsysającym, jeżeli można je podłączyć**
- Niektóre rodzaje pyłu są zaklasyfikowane jako rakotwórcze (takie, jak pył dębu i buka) szczególnie w połączeniu z dodatkami do kondycjonowania drewna; **należy zakładać maskę przeciwpyłową i pracować z urządzeniem odsysającym pył, jeżeli można je podłączyć**
- Należy stosować się do lokalnych wymogów dotyczących pracy w otoczeniu pyłu powstającego podczas obróbki materiału
- Elektronarzędzia/ładowarka nie należy narażać na działanie opadów atmosferycznych
- Nigdy nie demontować ładowarki czy narzędzie
- Przed regulacją elektronarzędzia, wymianą osprzętu, w czasie transportu lub podczas przechowywania należy upewnić się czy przełącznik E ② znajduje się w środkowym (blokada) położeniu (zabezpieczony)

ŁADOWANIE/AKUMULATORY

- Należy stosować ładowarki SKIL 2610Z07379 z tym narzędziem

• **Niniejsza ładowarka może być użytkowana przez dzieci**

powyżej lat 8, przez osoby ograniczone fizycznie, emocjonalnie, lub psychicznie, a także przez osoby z niewystarczającym doświadczeniem i/ lub niedostateczną wiedzą tylko w przypadku, gdy dzieci lub osoby te znajdują się pod nadzorem osoby odpowiedzialnej za ich bezpieczeństwo lub gdy zostały one poinstruowane, jak w bezpieczny sposób posługiwać się niniejszą ładowarką i jakie ewentualne niebezpieczeństwa związane są z jej użytkowaniem (w przeciwnym wypadku istnieje niebezpieczeństwo

niewłaściwego zastosowania, a także możliwość doznania urazów)

- **Dzieci powinny znajdować się pod nadzorem** (tylko w ten sposób można zagwarantować, że nie będą się one bawiły ładowarką)
- **Dzieci mogą czyścić i konserwować ładowarkę jedynie pod nadzorem**
 - Nie próbować uruchamiać uszkodzonej ładowarki
 - Dopuszczalna temperatura otoczenia (narzędzie/ładowarka/akumulator):
 - podczas ładowania 4...40°C
 - podczas pracy -20...+50°C
 - podczas przechowywania -20...+50°C

AKCESORIA

- SKIL może zagwarantować bezawaryjne działanie narzędzia tylko przy korzystaniu z oryginalnego wyposażenia dodatkowego

PRZED UŻYCIEM

- Każdorazowo należy sprawdzać, czy napięcie zasilania jest zgodne z napięciem podanym na tabliczce znamionowej ładowarka
- Uwaga na gwoździe, śruby i inne twarde przedmioty; przed przystąpieniem do obróbki powinny być usunięte z obrabianego przedmiotu; usunąć je przed rozpoczęciem pracy
- **Należy zabezpieczyć miejsce przeznaczone do zszycia** (miejsce przeznaczone do zszycia

umieszczone w zaciskach lub imadle jest utrzymywane w miejscu bezpieczniejszej niż w ręku)

- **Aby wykryć ukryte przewody zasilające należy używać stosownych detektorów lub porozumieć się z miejscowymi zakładami energetycznymi** (kontakt z przewodami elektrycznymi może doprowadzić do pożaru i porażenia elektrycznego; uszkodzenie przewodu gazowego może doprowadzić do wybuchu; uszkodzenie przewodów instalacji wodociągowej powoduje szkody rzeczowe i może spowodować porażenie elektryczne)

PODCZAS UŻYWANIA

- **Podczas wykonywania prac, przy których narzędzie robocze lub śruba mogłoby natrafić na ukryte przewody elektryczne, elektronarzędzie należy trzymać za izolowane powierzchnie rękojeści** (kontakt z przewodem sieci zasilającej może spowodować przekazanie napięcia na części metalowe elektronarzędzia, co mogłoby spowodować porażenie prądem elektrycznym)
- W przypadku wadliwego działania mechanicznych lub elektrycznych elementów urządzenia, należy bezzwocznie odłączyć narzędzie przy ładowarce wyjąć wtyczkę z gniazda sieciowego

OBJAŚNIENIE SYMBOLI NA NARZĘDZIU/ŁADOWARCE

- ③ Przed użyciem przeczytaj instrukcję obsługi
- ④ Ładowarki używaj tylko we wnętrzach
- ⑤ Podwójna izolacja (brak uziemienia)
- ⑥ Nieprawidłowa polaryzacja podłączenia ładowarki jest niebezpieczna (ładuj akumulatory tylko za pomocą ładowarki dostarczonej w komplecie)
- ⑦ Nie wyrzucaj elektronarzędzi i baterie wraz z odpadami z gospodarstwa domowego

UŻYTKOWANIE

- Ładowanie akumulatora ⑧
! nowy lub dłuższy czas nieużywany akumulator osiąga

swoją pełną wydajność dopiero po ok. 5 cyklach ładowania/ wyładowania

- proszę podłączyć ładowarkę A do gniazdka w ścianie i w urządzeniu B
- wskaźnik C świeci na ZIELONO na znak, że trwa ładowanie akumulatora
- przy całkowicie naładowanej akumulatorem, zgaśnie wskaźnik C (upływie około 3 godzinach)
- akumulator litowo-jonowy można ładować w dowolnym momencie (przerwanie ładowania nie powoduje uszkodzenia akumulatora)
- baterie litowo-jonowe nie muszą być całkowicie rozładowane przed naładowaniem (nie występuje "efekt pamięci", charakterystyczny dla baterii niklowo-kadmowych)
- podczas procesu ładowania narzędzia nie można używać; jeżeli narzędzie nie funkcjonuje podczas procesu ładowania, nie oznacza to, że jest ono uszkodzone
- po zakończeniu pracy wyjąć wtyk ładowarki z gniazda sieciowego
- Włącz/wyłącz ⑨
- Zmiana kierunku obrotów ⑩
 - w przypadku niewłaściwej pozycji przełącznika w lewo/prawo przycisk włącznika/wyłącznika D ② jest zablokowany
- ! kierunek obrotów zmieniać tylko wtedy, gdy narzędzie jest całkowicie zatrzymane**
- Wymiana wiertel ⑪
 - wiertło wprowadzić do oporu w uchwyt G
- ! nie używać wiertel ze zniszczonym uchwytem**
- Automatyczna blokada wrzeczona Umożliwia, jeżeli to konieczne, ręczne wkręcanie lub odkręcania śrub czy wkrętów ⑫
- Lampka LED ⑬
 - Lampka LED H zapala się automatycznie po naciśnięciu przełącznika D, nawet wówczas, gdy przełącznik E znajduje się w pozycji środkowej (zablokowanej)
- Schowek końcówek J ⑭
 - Umożliwia przechowywanie z przodu 2 końcówek
- Wskaźnik poziomu naładowania

akumulatora

Jeżeli wskaźnik C ② świeci po wciśnięciu do połowy włącznika/wyłącznika D ② na CZERWONO, akumulator ma mniej niż 30% swojej

- Dwa ustawienia uchwytu ⑭
- System ochrony baterii
Powoduje automatyczne wyłączenie narzędzia w przypadku, gdy: temperatura akumulatora jest za wysokie (> +65°C)
bateria litowo-jonowa jest bliska stanu całkowitego rozładowania (w celu ochrony przed zbytnim rozładowaniem)

WSKAZÓWKI UŻYTKOWANIA

- Używać właściwych wiertel ⑮
**! nie używać zniszczonych wiertel
! używać tylko wiertel z uchwytem sześciokątnym**
- W celu uniknięcia rozwarstwiania przedmiotów drewnianych przy wkręcaniu wkrętów na brzegu należy otwór odpowiednio nawiercić
- Przy wkręcaniu, a szczególnie wykręcaniu wymagane jest wywieranie stałego nacisku na łeb wkręta
- Przy wkręcaniu wkrętów w twarde drewno wykonać otwór wstępny
- Więcej informacji można znaleźć pod adresem www.skil.com

KONSERWACJA / SERWIS

- Narzędzie nie jest przeznaczone do zastosowań profesjonalnych
- Elektronarzędzie oraz ładowarka z kablem powinno być zawsze czyste
! przed przystąpieniem do wykonywania jakichkolwiek czynności obsługowych przy ładowarce wyjąć wtyk z gniazda sieciowego
- Jeśli narzędzie/ładowarkę, mimo dokładnej i wszechstronnej kontroli produkcyjnej ulegnie kiedykolwiek awarii, naprawę powinien przeprowadzić autoryzowany serwis elektronarzędzi firmy SKIL
- odesłać **nierozebrany** narzędzie lub ładowarkę, wraz z dowodem

zakupu, do dealera lub do najbliższego punktu usługowego SKIL (adresy oraz diagram serwisowy narzędzenia znajdują się na stronach www.skil.com)

- Prosimy pamiętać, że uszkodzenia spowodowane przeciążeniem lub niewłaściwym użytkowaniem narzędzia nie podlegają gwarancji (warunki gwarancji SKIL znajdują się na www.skil.com lub pytać swojego dealera)

ŚRODOWISKO

- **Nie wyrzucaj elektronarzędzi, akcesoriów i opakowania wraz z odpadami z gospodarstwa domowego** (dotyczy tylko państw UE)
 - zgodnie z Europejską Dyrektywą 2012/19/WE w sprawie użytego sprzętu elektrotechnicznego i elektronicznego oraz dostosowaniem jej do prawa krajowego, zużyte elektronarzędzia należy posegregować i zutylizować w sposób przyjazny dla środowiska
 - w przypadku potrzeby pozbycia się narzędzia, akcesoriów i opakowania - symbol ⑦ przypomni Ci o tym**! przed wyrzuceniem urządzenia należy wyjąć z niego baterie**
- Usunięcie/utyliczacja baterii ⑯
! baterie można usunąć jedynie, gdy są one zupełnie puste
 - proszę zabezpieczyć zaciski baterii taśmą, aby nie dopuścić do zwarcia
 - baterie należy zutylizować w oficjalnym punkcie utylizacji baterii**! akumulatory w kontakcie z ogniem mogą eksplodować, więc nie wolno ich pod żadnym pozorem spalać**

HAŁASU / WIBRACJE

- Pomiarów dokonano zgodnie z normą EN 60745 ciśnienie akustyczne narzędzia wynosi <70 dB(A) (poziom odchylenie: 3 dB), zaś wibracje <2,5 m/s² (suma wektorowa z trzech kierunków; błąd pomiaru K = 1,5 m/s²)
- Poziom emisji wibracji został zmierzony zgodnie z testem standaryzowanym podanym w EN

60745; może służyć do porównania jednego narzędzia z innym i jako ocena wstępna narażenia na wibrację w trakcie używania narzędzia do wymienionych zadań

- używanie narzędzia do innych zadań, lub z innymi albo źle utrzymanymi akcesoriami, może znacząco **zwiększyć** poziom narażenia
- przypadki, kiedy narzędzie jest wyłączone lub jest czynne, ale aktualnie nie wykonuje zadania, mogą znacząco **zmniejszyć** poziom narażenia

! należy chronić się przed skutkami wibracji przez konserwację narzędzia i jego akcesoriów, zakładanie rękawic i właściwą organizację pracy

RU

Аккумуляторный шуруповерт

2710

В состав эксплуатационных документов, предусмотренных изготовителем для продукции, могут входить настоящее руководство по эксплуатации, а также приложения. Информация о подтверждении соответствия содержится в приложении.

Срок службы изделия

Срок службы изделия составляет 7 лет. Не рекомендуется к эксплуатации по истечении 5 лет хранения с даты изготовления без предварительной проверки (дату изготовления см. на этикетке).

Перечень критических отказов и ошибочные действия персонала и пользователя

- не использовать с поврежденной рукояткой или поврежденным защитным кожухом
- не использовать при появлении дыма непосредственно из корпуса изделия
- не использовать с перебитым или оголенным электрическим кабелем

- не использовать на открытом пространстве во время дождя (в распыляемой воде)
- не включать при попадании воды в корпус
- не использовать при сильном искрении
- не использовать при появлении сильной вибрации

Критерии предельных состояний

- перетёрт или повреждён электрический кабель
- повреждён корпус изделия

Тип и периодичность технического обслуживания

Рекомендуется очистить инструмент от пыли после каждого использования.

Хранение

- необходимо хранить в сухом месте
- необходимо хранить вдали от источников повышенных температур и воздействия солнечных лучей
- при хранении необходимо избегать резкого перепада температур
- хранение без упаковки не допускается
- подробные требования к условиям хранения смотрите в ГОСТ 15150 (Условие 1)

Транспортировка

- категорически не допускается падение и любые механические воздействия на упаковку при транспортировке
- при разгрузке/погрузке не допускается использование любого вида техники, работающей по принципу зажима упаковки
- подробные требования к условиям транспортировки смотрите в ГОСТ 15150 (Условие 5)

ВНИМАНИЕ!

В случае возникновения перебоя в работе электроинструмента вследствие полного или частичного прекращения энергоснабжения или повреждения цепи управления энергоснабжением установите

выключатель в положение **Выкл.**, убедившись, что он не заблокирован (при его наличии) и отключите сетевую вилку от розетки или отсоедините съёмный аккумулятор (этим предотвращается неконтролируемый повторный запуск)

ВВЕДЕНИЕ

- Данный инструмент с функцией реверса предназначен для завинчивания шурупов и сверления дерева
- Данный инструмент не подходит для промышленного использования
- Прочитайте и сохраните с данной инструкцией ③

ТЕХНИЧЕСКИЕ ДАННЫЕ ①

СТРАНА ИЗГОТОВЛЕНИЯ

Сделано в Китае

Макс. крутящий момент завинчивания при соединении жестких конструкционных материалов по ИСО 5393 : 7Nm

ДЕТАЛИ ИНСТРУМЕНТА ②

- A Зарядное устройство
- B Контактный разъем для зарядного устройства
- C Индикатор уровня заряда
- D Выключатель вкл/выкл
- E Выключатель для изменения направления вращения
- F Поворотная ручка разблокирования
- G Магнитный держатель бит
- H Световой индикатор
- J Место для хранения сверел

БЕЗОПАСНОСТЬ

ОБЩИЕ УКАЗАНИЯ ПО ТЕХНИКЕ БЕЗОПАСНОСТИ ОБРАЩЕНИЯ С ЭЛЕКТРОИНСТРУМЕНТАМИ

⚠ ВНИМАНИЕ! Следует ознакомиться со всеми правилами техники безопасности, инструкциями, иллюстрациями

и техническими данными, содержащимися в прилагаемых к этому электроинструменту материалах. Несоблюдение нижеперечисленных инструкций в полном объеме может повлечь поражение электрическим током, пожар и/или серьезную травму.

Сохраняйте эти инструкции и указания для будущего использования.

Использованное в настоящих инструкциях и указаниях понятие "электроинструмент" распространяется на электроинструмент с питанием от сети (с кабелем питания от электросети) и на аккумуляторный электроинструмент (без кабеля питания от электросети).

1) БЕЗОПАСНОСТЬ РАБОЧЕГО МЕСТА

- Соблюдайте чистоту и поддерживайте надлежащую освещенность на рабочем месте.** Беспорядок на рабочем месте или его плохое освещение могут привести к несчастным случаям.
- Не используйте с электроинструментом во взрывоопасной среде, т.е. в непосредственной близости от легковоспламеняющихся жидкостей, газов или пыли.** В процессе работы электроинструмент искрит и искры могут воспалить газы или пыль.
- При работе с электроинструментом не допускайте детей или посторонних на Ваше рабочее место.** Отвлечение Вашего внимания может привести к потере контроля над работой электроинструмента.

2) ЭЛЕКТРИЧЕСКАЯ БЕЗОПАСНОСТЬ

- Штепсельная вилка кабеля питания электроинструмента должна соответствовать розетке электросети. Не вносите никаких**

изменений в конструкцию вилки. Не используйте адапторы для электроинструмента с защитным заземлением.

Заводские штепсельные вилки и соответствующие им сетевые розетки существенно снижают вероятность электрошока.

- b) **Избегайте механических контактов с такими заземленными поверхностями, как трубопроводы, системы отопления, плиты и холодильники.** При соприкосновении человека с заземленными предметами во время работы инструментом вероятность электрошока существенно возрастает.
- c) **Оберегайте электроинструмент от воздействия дождя и влаги.** Попадание воды в электроинструмент повышает вероятность электрического удара.
- d) **Используйте кабель строго по назначению. Не допускается тянуть и передвигать электроинструмент за кабель или использовать кабель для вытягивания вилки из розетки. Оберегайте кабель инструмента от воздействия высоких температур, масла, острых кромок или движущихся частей электроинструмента.** Поврежденный или спутанный кабель повышает возможность электрического удара.
- e) **При работе на улице используйте удлинитель, предназначенный для работы вне помещения.** Использование такого удлинителя снижает вероятность электрического удара.
- f) **Если невозможно избежать применения электроинструмента в сыром помещении, то устанавливайте устройство защиты от утечки в землю.** Использование устройства защиты от утечки в землю снижает риск электрического поражения.
- 3) **ЛИЧНАЯ БЕЗОПАСНОСТЬ**
- a) **Будьте внимательны, следите за тем, что Вы делаете**

и выполняйте работу обдуманно. Не пользуйтесь электроинструментом, если Вы устали или находитесь под воздействием транквилизаторов, алкоголя или медицинских препаратов.

Секундная потеря концентрации в работе с электроинструментом может привести к серьезным травмам.

- b) **Используйте средства индивидуальной защиты. Защитные очки обязательны.** Средства индивидуальной защиты, такие как противопылевой респиратор, нескользящая защитная обувь, шлем-каска, средства защиты органов слуха применяются в соответствующих условиях работы обстоятельствах и минимизируют возможность получения травм.
- c) **Предотвращайте непреднамеренное включение электроинструмента.** **Перед подключением электроинструмента к электропитанию и/или к аккумулятору убедитесь в выключенном состоянии электроинструмента.** Если Вы при транспортировке электроинструмента держите палец на выключателе или включенный электроинструмент подключаете к сети питания, то это может привести к несчастному случаю.
- d) **Во избежание травм перед включением электроинструмента удалите регулировочный или гаечный ключ из вращающейся части электроинструмента.**
- e) **Не переоценивайте свои возможности. Твердо стойте на ногах и удерживайте равновесие.** В таком положении вы сможете лучше контролировать электроинструмент в неожиданных ситуациях.
- f) **Используйте подходящую рабочую одежду. Не надевайте свободную одежду и украшения.**

Держите волосы и одежду вдали от движущихся частей.

Свободная одежда, украшения или длинные волосы легко могут попасть в движущиеся части электроинструмента.

- g) **При наличии пылеотсасывающих и пылесборных приспособлений убедитесь в том, что они подсоединены и используются надлежащим образом.**

Применение пылеотсоса может снизить опасности, создаваемые пылью.

- h) **Хорошее знание электроинструментов, полученное в результате частого их использования, не должно приводить к самоуверенности и игнорированию техники безопасности обращения с электроинструментами.** Одно небрежное действие за долю секунды может привести к серьезным травмам.

4) ЭКСПЛУАТАЦИЯ И УХОД ЗА ЭЛЕКТРОИНСТРУМЕНТОМ

- a) **Не перегружайте электроинструмент. Используйте тот электроинструмент, который предназначен для данной работы.** С подходящим электроинструментом Вы выполните работу лучше и надежней, используя весь диапазон его возможностей.

- b) **Не используйте электроинструмент с неисправным выключателем.** Инструмент с неисправным выключателем опасен и подлежит ремонту.

- c) **До начала наладки электроинструмента, замены принадлежностей или прекращения работы отключайте штепсельную вилку от розетки сети и/или выньте, если это возможно, аккумулятор.** Данная мера предосторожности предотвращает случайное включение электроинструмента.

- d) **Храните неиспользуемый электроинструмент в недоступном для детей месте и не позволяйте использовать его лицам, не умеющим с ним обращаться или не ознакомленным с инструкцией по эксплуатации.** Электроинструменты представляют собой опасность в руках неопытных пользователей.
- e) **Тщательно ухаживайте за электроинструментом и принадлежностями. Проверяйте безупречность функции подвижных частей, лёгкость их хода, целостность всех частей и отсутствие повреждений, которые могут негативно сказаться на работе инструмента. При обнаружении повреждений сдайте инструмент в ремонт.** Большое число несчастных случаев связано с неудовлетворительным уходом за электроинструментом.
- f) **Режущие части инструмента необходимо поддерживать в заточенном и чистом состоянии.** При надлежащем уходе за режущими принадлежностями с острыми кромками они реже заклиниваются и инструмент лучше поддаётся контролю.
- g) **Используйте электроинструмент, принадлежности, биты и т.д. в соответствии с данными инструкциями, исходя из особенностей условий и характера выполняемой работы.** Использование электроинструмента не по назначению может привести к опасным последствиям.
- h) **Держите ручки и поверхности захвата сухими и чистыми, следите чтобы на них чтобы на них не было жидкой или консистентной смазки.** Скользкие ручки и поверхности захвата препятствуют безопасному обращению с инструментом и не дают надёжно контролировать его в непредвиденных ситуациях.

- 5) **ЭКСПЛУАТАЦИЯ И УХОД ЗА АККУМУЛЯТОРНЫМ ЭЛЕКТРОИНСТРУМЕНТОМ**
- a) **Зарядка аккумуляторной батареи производится только на тех зарядных устройствах, которые рекомендованы изготовителем.** Использование нерегламентированных зарядных устройств для зарядки аккумуляторной батареи может привести к возгоранию.
- b) **В электроинструменте надлежит использовать только те аккумуляторные батареи, которые предусмотрены для данного инструмента.** Использование других аккумуляторных батарей может привести к травмам и возникновению пожарной опасности.
- c) **Не оставляйте аккумуляторную батарею рядом с металлическими предметами – канцелярскими скрепками, монетами, ключами, гвоздями, винтами и другими металлическими предметами, которые могут замкнуть контакты.** Короткое замыкание контактов аккумуляторной батареи может привести к ожогам или пожару.
- d) **В случаях ненадлежащего обращения с аккумуляторной батареей из нее может вытечь жидкость. Избегайте контакта с ней. При случайном попадании жидкости на кожу – промойте водой. При попадании жидкости в глаза, обратитесь также за помощью к врачу.** Вытекшая аккумуляторная жидкость может привести к раздражению кожи или ожогам.
- e) **Не используйте поврежденные или измененные аккумуляторы или инструменты.** Поврежденные или измененные аккумуляторы могут повести себя непредсказуемо, что может привести к возгоранию, взрыву или риску получения травмы.
- f) **Не кладите аккумулятор**

- или инструмент в огонь и не подвергайте их воздействию высоких температур. Огонь или температура выше 130°C могут привести к взрыву.
- g) **Выполняйте все инструкции по зарядке и не заряжайте аккумулятор или инструмент при температуре, выходящей за указанный в инструкции диапазон.** Неправильная зарядка или зарядка при температурах, выходящих за указанный диапазон, могут повредить батарею и повысить риск возгорания.
- 6) **СЕРВИСНОЕ ОБСЛУЖИВАНИЕ**
- a) **Передавайте электроинструмент на сервисное обслуживание только квалифицированному персоналу, использующему только подлинные запасные части.** Это обеспечит сохранение безопасности электроинструмента.
- b) **Никогда не обслуживайте поврежденные аккумуляторы.** Обслуживать аккумуляторы разрешается только производителю или авторизованной сервисной организации.

УКАЗАНИЯ ПО БЕЗОПАСНОСТИ ДЛЯ АККУМУЛЯТОРНЫХ ОТВЕРТОВ

ОБЩЕЕ

- **Не обрабатывайте материалы с содержанием асбеста (асбест считается канцерогеном)**
- **Пыль от таких материалов, как свинцовосодержащая краска, некоторые породы дерева, минералы и металл, может быть вредна (контакт с такой пылью или ее вдыхание может стать причиной возникновения у оператора или находящегося рядом лиц аллергических реакций и/или респираторных заболеваний); надевайте респиратор и работайте с пылеудаляющим устройством при включении инструмента**
- **Некоторые виды пыли классифицируются как**

канцерогенные (например, дубовая или буковая пыль), особенно в сочетании с добавками для кондиционирования древесины; **надевайте респиратор и работайте с пылеудаляющим устройством при включении инструмента**

- Следуйте принятым в вашей стране требованиям/нормативам относительно пыли для тех материалов, с которыми вы собираетесь работать
- Исключите возможность попадания дождя на инструмент и зарядное устройство
- Запрещается разбирать зарядное устройство или инструмент
- Убедитесь в том, что выключатель E ② находится в центральном положении (выключен) перед тем, как Вы начнете выполнять настройку инструмента или смену принадлежностей, а также при переноске и хранении инструмента

ЗАРЯДКА/АНКУМУЛЯТОРЫ

- Используйте для данного инструмента только зарядное устройство SKIL 2610Z07379
- **Пользоваться этим зарядным устройством детям в возрасте до 8 лет и лицам с ограниченными физическими, сенсорными или умственными способностями или с недостаточным опытом и знаниями разрешается**

только под присмотром ответственного за их безопасность лица или если они прошли инструктаж на предмет надежного использования зарядного устройства и понимают, какие опасности исходят от него (иначе существует опасность неправильного использования и получения травм)

- **Смотрите за детьми (дети не должны играть с зарядным устройством)**
- **Производить очистку и техническое обслуживание зарядного устройства детям**

разрешается только под присмотром

- Запрещается использовать поврежденное зарядное устройство
- Допустимая температура окружающей среды (инструмент/зарядное устройство/аккумулятор):
 - при зарядке 4...40°C
 - при эксплуатации -20...+50°C
 - при хранении -20...+50°C

ПРИНАДЛЕЖНОСТИ

- SKIL обеспечивает надёжную работу инструмента только при использовании соответствующих приспособлений

ПЕРЕД ИСПОЛЬЗОВАНИЕМ

- Обязательно убедитесь, что напряжение питания соответствует напряжению, указанному на фирменном штепселе зарядного устройства
 - Избегайте повреждений, которые могут быть вызваны винтами, гвоздями и прочими элементами, находящимися в обрабатываемом предмете; перед началом работы их нужно удалить
 - **Закрепите обрабатываемую деталь** (обрабатываемая деталь, зафиксированная посредством зажимных устройств или тисков, закрепляется лучше, нежели при помощи рук)
 - **Используйте подходящие металлодетекторы для нахождения скрытых проводок снабжения или наведите справки в местных предприятиях коммунального хозяйства** (контакт с электропроводкой может привести к пожару и электрическому удару; повреждение газопровода может привести к взрыву; повреждение водопровода может привести к повреждению имущества или вызвать электрический удар)
- ## ВО ВРЕМЯ ИСПОЛЬЗОВАНИЯ
- **При выполнении работ, при которых рабочий инструмент или шуруп может задеть**

- скрытую электропроводку, держите электроинструмент за изолированные ручки (контакт с находящейся под напряжением проводкой может заряжать металлические части электроинструмента и приводить к удару электрическим током)
- В случае механической или электрической неисправности немедленно выключите инструмент или отсоедините зарядное устройство от источника питания

ПОЯСНЕНИЯ К УСЛОВНЫМ ОБОЗНАЧЕНИЯМ НА ИНСТРУМЕНТЕ/ЗАРЯДНОМ УСТРОЙСТВЕ

- ③ Перед использованием ознакомьтесь с руководством по эксплуатации
- ④ Используйте зарядное устройство только в помещении
- ⑤ Двойная изоляция (заземляющий провод не требуется)
- ⑥ Неправильная полярность при подключении зарядного устройства опасна (заряжать батарею только зарядным устройством, поставленным в комплекте с инструментом)
- ⑦ Не выкидывайте электроинструмент и батарею вместе с бытовым мусором

ИСПОЛЬЗОВАНИЕ

- Зарядка аккумулятора ⑧
! новый или долгое время не использовавшийся аккумулятор достигает свою полную емкость только приблизительно после 5 циклов зарядки/разрядки
 - подключите зарядное устройство А к стенной розетке и контактному разъему В
 - индикатор С загорится **ЗЕЛЕНЫМ**, указывая на то, что аккумулятор заряжается
 - когда аккумулятор полностью зарядится, выключается индикатор С (приблизительно через 3 часов)
 - литиево-ионную батарею можно заряжать на любой стадии

остатка заряда (прерывание процесса зарядки не причинит вреда батарее)

- литиево-ионный аккумулятор не обязательно полностью разряжать перед зарядкой (в нем отсутствует "эффект памяти", который проявляется в никелево-кадмиевых аккумуляторах)
- инструментом нельзя пользоваться во время его зарядки; если инструмент не работает во время зарядки, это не является свидетельством его неисправности
- если ожидаются длительные периоды, в течение которых инструмент не будет использован, рекомендуется отсоединить зарядное устройство от источника питания

• Вкл/Выкл ⑨

• Изменение направления вращения ⑩

- выключатель вкл/выкл D ② не работает, если не установлен в положение лево/право

! изменять направление вращения следует только в момент полной остановки инструмента

• Сменные биты ⑪

- вставьте бит в держатель бит G до самого конца

! не используйте биты с поврежденным стволом

• Автоматическая блокировка шпинделя

Позволяет вручную заворачивать сильнее или ослаблять шурупы, когда это необходимо ⑫

• Световой индикатор ⑬

Светодиодный индикатор H включается автоматически при включении выключателя D, даже если переключатель E находится в среднем (блокирующем) положении

• Место для хранения сверл J ⑭

Обеспечивает хранение в передней части 2 наконечников

• Индикатор уровня заряда

Если индикатор C ② при наполовину вжатом выключателе D ② загорается КРАСНЫМ светом, то заряд аккумулятора составляет

менее 30% его емкости и его следует зарядить

• Два положения ручки ⑭

• Защита аккумулятора

Автоматически выключает инструмент, если температура батареи становится слишком высокой (> +65°C) литиево-ионный аккумулятор практически разряжен (для предотвращения глубокой разрядки)

СОВЕТЫ ПО ИСПОЛЬЗОВАНИЮ

• Используйте только надлежащие биты ⑮

! не используйте поврежденные биты

! не используйте биты с шестигранным хвостовиком

- При заворачивании шурупа в месте поперечного среза или рядом с ним, а также на кромке деревянной детали рекомендуем во избежание образования трещин сначала просверлить отверстие
- Для обеспечения оптимального режима работы инструмента нажимайте на винт с постоянным усилием при заворачивании и, особенно, при отворачивании
- При заворачивании в твердое дерево предварительно просверлите отверстие для винта
- Подробнее на сайте www.skil.com

ТЕХОБСЛУЖИВАНИЕ / СЕРВИС

- Данный инструмент не подходит для промышленного использования
- Содержите инструмент и зарядное устройство в чистоте
- ! перед очисткой отсоедините зарядное устройство от источника питания**
- Если инструмент/зарядное устройство, несмотря на тщательные методы изготовления и испытания, выйдет из строя, то ремонт следует производить силами авторизованной

сервисной мастерской для электроинструментов фирмы SKIL

- отправьте **неразобранный** инструмент или зарядное устройство со свидетельством покупки Вашему дилеру или в ближайшую станцию обслуживания фирмы SKIL (адреса и схема обслуживания инструмента приведены в вебсайте www.skil.com)

- Примите к сведению, что повреждения вследствие перегрузки или ненадлежащего обращения с инструментом не будут включены в гарантию (условия гарантии SKIL см. на сайте www.skil.com или узнайте у дилера в Вашем регионе)

ОХРАНА ОКРУЖАЮЩЕЙ СРЕДЫ

- **Не выкидывайте электроинструмент, принадлежности и упаковку вместе с бытовым мусором** (только для стран ЕС)
 - во исполнение европейской директивы 2012/19/ЕС об утилизации отслужившего свой срок электрического и электронного оборудования и в соответствии с действующим законодательством, утилизация электроинструментов производится отдельно от других отходов на предприятиях, соответствующих условиям экологической безопасности
 - значок ⑦ напомнит Вам об этом, когда появится необходимость сдать электроинструмент на утилизацию
- ! **выньте батареи, прежде чем выкинуть инструмента**
- Извлечение/выбрасывание батарей ⑩
 - ! **вынимайте батареи только, если они полностью разряжены**

- изолируйте клеммы батарей прочной изоляционной лентой для предотвращения короткого замыкания

- выбрасывайте батареи в официальном пункте сбора батарей

! **при попадании в огонь батареи взрываются, поэтому ни в коем случае не сжигайте батареи**

ШУМ / ВИБРАЦИЯ

- При измерении в соответствии со стандартом EN 60745 уровень звукового давления для этого инструмента составляет <70 дБ (А) (стандартное отклонение: 3 дБ) и вибрации - <2,5 м/с² (векторная сумма трех направлений; недостоверность K = 1,5 м/с²)
- Уровень вибрации был измерен в соответствии со стандартизированным испытанием, содержащимся в EN 60745; данная характеристика может использоваться для сравнения одного инструмента с другим, а также для предварительной оценки воздействия вибрации при использовании данного инструмента для указанных целей
- при использовании инструмента в других целях или с другими/неисправными вспомогательными приспособлениями уровень воздействия вибрации может значительно **повышаться**
- в периоды, когда инструмент отключен или функционирует без фактического выполнения работы, уровень воздействия вибрации может значительно **снижаться**
- ! **защищайте себя от воздействия вибрации, поддерживая инструмент и его вспомогательные приспособления в исправном состоянии, поддерживая руки в тепле, а также правильно организовывая свой рабочий процесс**

Бездротова викрутка 2710**ВСТУП**

- Цей інструмент з правим/лівим обертанням призначений для загвинчування та попереднього свердління у дереві
- Цей інструмент не придатний для промислового використання
- Прочитайте і збережіть цю інструкцію з експлуатації ③

ТЕХНІЧНІ ДАНІ ①

Макс.обертальний момент при закручуванні в жорсткі матеріали відп. до ISO 5393 : 7Nm

ЕЛЕМЕНТИ ІНСТРУМЕНТА ②

- A Зарядний пристрій
- B Контактне гніздо для зарядного пристрою
- C Індикатор рівня заряду батареї
- D Вимикач живлення
- E Вимикач для зміни напрямку обертання
- F Поворотна ручка розблокування
- G Магнітна удержувача біт
- H Світлодіодний індикатор
- J Місце для зберігання свердел

БЕЗПЕКА**ЗАГАЛЬНІ ВКАЗІВКИ З ТЕХНІКИ БЕЗПЕКИ ПОВОДЖЕННЯ З ЕЛЕКТРОІНСТРУМЕНТАМИ**

▲ ПОПЕРЕДЖЕННЯ Уважно вивчіть запобіжні заходи та ілюстрації, а також прочитайте вказівки та технічні умови, що входять в комплект поставки цього електроінструменту. Недотримання нижчеперелічених вказівок у повному обсязі може спричинити ураження електричним струмом, пожежу та / або серйозну травму.

Добре зберігайте на майбутнє ці попередження і вказівки.

Під поняттям “електроприлад” в цих попередженнях мається на увазі електроприлад, що працює від мережі (з електрокабелем) або від акумуляторної батареї (без електрокабелю).

- 1) БЕЗПЕКА НА РОБОЧОМУ МІСЦІ**
 - а) Прймайте своє робоче місце в чистоті та прибирайте його.** Безлад або погане освітлення на робочому місці можуть призводити до нещасних випадків.
 - б) Не працюйте з приладом у середовищі, де існує небезпека вибуху внаслідок присутності горючих рідин, газів або пилу.** Електроприлади можуть породжувати іскри, від яких може займатися пил або пари.
 - в) Під час працювання з приладом не підпускайте до робочого місця дітей та інших людей.** Ви можете втратити контроль над приладом, якщо Ваша увага буде відвернута.
- 2) ЕЛЕКТРИЧНА БЕЗПЕКА**
 - а) Штепсель приладу повинен пасувати до розетки. Не дозволяється що-небудь міняти в штепселі. Для роботи з приладами, що мають захисне заземлення, не використовуйте адаптери.** Використання оригінального штепселя та належної розетки зменшує ризик удару електричним струмом.
 - б) Уникайте контакту частей тіла із заземленими поверхнями, як напр., трубами, батареями опалення, печами та холодильниками.** Коли Ваше тіло заземлене, існує збільшена небезпека удару електричним струмом.
 - в) Захищайте прилад від дощу та вологи.** Попадання води в електроінструмент збільшує ризик удару електричним струмом.
 - д) Не використовуйте кабель для перенесення приладу, підвішування або витягування штепселя з розетки. Захищайте кабель від жару, олії, гострих**

країв та деталей приладу, що рухаються. Пошкоджений або закручений кабель збільшує ризик удару електричним струмом.

- e) **Для зовнішніх робіт обов'язково використовуйте лише такий подовжувач, що допущений для зовнішніх робіт.** Використання подовжувача, що розрахований на зовнішні роботи, зменшує ризик удару електричним струмом.
- f) **Якщо не можна запобігти використанню електроприладу у вологому середовищі, використовуйте пристрій захисту від витоків в землю.** Використання зрестрою захисту від витоків в землю зменшує ризик удару електричним струмом.
- 3) БЕЗПЕКА ЛЮДЕЙ**
- a) **Будьте уважними, слідкуйте за тим, що Ви робите, та розсудливо поведіться під час роботи з електроприладом. Не користуйтеся приладом, якщо Ви стомлені або знаходитесь під дією наркотиків, спиртних напоїв або лік.** Мить неуважності при користуванні приладом може призводити до серйозних травм.
- b) **Вдягайте особисте захисне спорядження та обов'язково вдягайте захисні окуляри.** Вдягання особистого захисного спорядження, як напр., - в залежності від виду робіт - захисної маски, спецвзуття, що не ковзається, каски або навушників, зменшує ризик травм.
- c) **Уникайте ненавмисного вмикання. Перш ніж вмикати електроприлад в електромережу або встромляти акумуляторну батарею, брати його в руки або переносити, впевніться в тому, що електроприлад вимкнутий.** Тримання пальця на вимикачі під час перенесення електроприладу або встромляння в розетку увімкнутого приладу може призводити до травм.
- d) **Перед тим, як вмикати прилад, приберіть налагоджувальні інструменти та гайковий ключ.** Знаходження налагоджувального

інструмента або ключа в деталі, що обертається, може призводити до травм.

- e) **Не переоцінюйте себе.** Зберігайте стійке положення та завжди зберігайте рівновагу. Це дозволить Вам краще зберігати контроль над приладом у несподіваних ситуаціях.
- f) **Вдягайте придатний одяг. Не вдягайте просторий одяг та прикраси. Не підставляйте волосся й одяг до деталей, що рухаються.** Просторий одяг, прикраси та довге волосся можуть попадати в деталі, що рухаються.
- g) **Якщо існує можливість монтувати пиловідсмоктувальні або пилоуловлювальні пристрої, переконайтеся, щоб вони були добре під'єднані та правильно використовувалися.** Використання пиловідсмоктувального пристрою може зменшити небезпеки, зумовлені пилом.
- h) **Добре знання електроінструментів, отримане в результаті частого їх використання, не повинно призводити до самовпевненості й ігнорування принципів техніки безпеки.** Необережна дія може в одну мить призвести до важкої травми.
- 4) ПРАВИЛЬНЕ ПОВЕДІННЯ ТА КОРИСТУВАННЯ ЕЛЕКТРОПРИЛАДАМИ**
- a) **Не перевантажуйте прилад.** Використовуйте такий прилад, що спеціально призначений для певної роботи. З придатним приладом Ви з меншим ризиком отримаєте кращі результати роботи, якщо будете працювати в зазначеному діапазоні потужності.
- b) **Не користуйтеся приладом з пошкодженням вимикачем.** Прилад, який не можна увімкнути або вимкнути, є небезпечним і його треба відремонтувати.
- c) **Перед тим, як регулювати що-небудь на приладі, міняти приладдя або ховати прилад, витягніть штепсель із розетки**

та/або витягніть акумуляторну батарею, якщо вона знімається.

Ці попереджувальні заходи з техніки безпеки зменшують ризик ненавмисного запуску приладу.

- d) **Зберігайте електроприлади, якими Ви саме не користуєтесь, далеко від дітей. Не дозволяйте користуватися електроприладом особам, що не знайомі з його роботою або не читали ці вказівки.** У разі застосування недосвідченими особами прилади несуть в собі небезпеку.
- e) **Старанно доглядайте за електроінструментами і приладдям. Перевірте, щоб рухомі деталі приладу бездоганно працювали та не заїдали, не були поламаними або настільки пошкодженими, щоб це могло вплинути на функціонування приладу. Пошкоджені деталі треба відремонтувати в авторизованій майстерні, перш ніж ними можна знову користуватися.** Велика кількість нещасних випадків спричиняється поганим доглядом за електроприладами.
- f) **Тримайте різальні інструменти добре нагостреними та в чистоті.** Старанно доглянуті різальні інструменти з гострим різальним краєм менше застряють та їх легше вести.
- g) **Використовуйте електроприлади, приладдя до них, робочі інструменти т.і. відповідно до цих вказівок. Беріть до уваги при цьому умови роботи та специфіку виконуваної роботи.** Використання електроприладів для робіт, для яких вони не передбачені, може призводити до небезпечних ситуацій.
- h) **Тримайте рукоятки і поверхні захвату сухими і чистими, слідкуйте, щоб на них не було оливи або густого мастила.** Слизькі рукоятки і поверхні захвату унеможливають безпечне поводження з електроінструментом та його контролювання в

неочікуваних ситуаціях.

- 5) **ПРАВИЛЬНЕ ПОВОДЖЕННЯ ТА КОРИСТУВАННЯ ЕЛЕКТРОПРИЛАДАМИ, ЩО ПРАЦЮЮТЬ НА АКУМУЛЯТОРНИХ БАТАРЕЯХ**
 - a) **Заряджуйте акумуляторні батареї лише в заряджувальних пристроях, рекомєнтованих виготовлювачем.** Використання заряджувального пристрою для акумуляторних батарей, для яких він не передбачений, може призводити до пожежі.
 - b) **Використовуйте в електроприладах лише рекомєнтовані акумуляторні батареї.** Використання інших акумуляторних батарей може призводити до травм та пожежі.
 - c) **Не зберігайте акумуляторну батарею, якою Ви саме не користуєтесь, поряд із канцелярськими скріпками, ключами, гвіздками, гвинтами та іншими невеликими металевими предметами, які можуть спричинити перемикання контактів.** Коротке замикання між контактами акумуляторної батареї може спричинити опіки або пожежу.
 - d) **При неправильному використанні з акумуляторної батареї може потекти рідина. Уникайте контакту з нею. При випадковому контакті промийте відповідне місце водою. Якщо рідина потрапила в очі, додатково зверніться до лікаря.** Акумуляторна рідина може спричинити подразнення шкіри або опік.
 - e) **Не використовуйте пошкоджені або модифіковані акумулятори або електроінструменти.** Пошкоджені або модифіковані акумулятори поведуться неочікувано, що може призвести до пожежі, вибуху або ризику травми.
 - f) **Не піддавайте акумулятор або електроінструмент дії вогню або високих температур.** Вогонь або температури вищі за 130°C можуть призвести до вибуху.
 - g) **Виконуйте всі вказівки**

із заряджання і не заряджайте акумулятор або електроінструмент за температур, що виходять за вказані в інструкції межі.

Неправильне заряджання або заряджання за температур, що виходять за вказані межі, може пошкодити батарею і підвищити ризик займання.

б) СЕРВІС

а) **Віддавайте свій прилад на ремонт лише кваліфікованим фахівцям та лише з використанням оригінальних запчастин.** Це забезпечить безпечність приладу на довгий час.

б) **Ніколи не обслуговуйте пошкоджені акумулятори.** Обслуговувати акумулятори дозволяється лише виробнику або авторизованим сервісним організаціям.

ВКАЗІВКИ ПО БЕЗПЕЦІ ДЛЯ ВИКРУТКИ З АКУМУЛЯТОРНИМ ЖИВЛЕННЯМ

ЗАГАЛЬНЕ

- **Не обробляйте матеріали, що містять асбест** (асбест вважається канцерогенним)
- Пил від таких матеріалів, як свинцовоутримуюча фарба, деякі породи дерева, мінерали й метал, може бути шкідливим (контакт із таким пилом або його вдихання може стати причиною виникнення в оператора або осіб, що перебувають поруч, алергійних реакцій і/або респіраторних захворювань); **надягайте респіратор і працюйте з пиловидальючим пристроєм під час увімкнення інструмента**
- Деякі види пилу класифікуються як канцерогенні (наприклад, дубовий або буковий пил), особливо в сполученні з добавками для кондиціювання деревини; **надягайте респіратор і працюйте з пиловидальючим пристроєм**

під час увімкнення інструмента

- Слідуйте інструкціям по роботі з матеріалами, продуцуючими пил
- Не підвергайте інструмент/зарядний пристрій дії дощу
- Не розбирайте інструмент чи зарядний пристрій самостійно
- Преконайтеся що бігунець вимикач Е ② в середньому положенні (блокування) перед будь-якими налагодками чи замінами приладдя, тоді коли ви тримаєте або поклали інструмент

ЗАРЯДЖАННЯ/АКУМУЛЯТОР

- Використовуйте для цього інструмента тільки зарядний пристрій SKIL 2610Z07379
- **Дітям віком від 8 років та особам з обмеженими фізичними, сенсорними та розумовими можливостями або недостатнім досвідом та знаннями дозволяється користуватися цим зарядним пристроєм лише під наглядом або якщо вони отримали відповідні вказівки щодо безпечного використання цього зарядного**

пристрою і розуміють, яку небезпеку він несе (в іншому випадку можливе неправильне використання та небезпека одержання травм)

- **Дивіться за дітьми (діти не повинні гратися з зарядним пристроєм)**
- **Дітям дозволяється очищати зарядний пристрій та виконувати його технічне обслуговування лише під наглядом**
 - Не використовуйте пошкоджені зарядний пристрій
 - Дозволена температура довкілля (інструмент/зарядний пристрій/акумулятор):
 - під час зарядження 4...40°C
 - під час роботи -20...+50°C
 - під час зберігання -20...+50°C

АНКСЕСУАРИ

- SKIL гарантує надійну роботу інструмента тільки при використанні відповідного приладдя

ПЕРЕД ВИКОРИСТАННЯМ

- Обов'язково переконайтеся, що напруга струму відповідає напрузі, вказаній на фірмовому штемпелі інструмента
- Не допускайте пошкоджень, які можуть нанести шурупи, цвяхи і інші елементи вашому виробу; видаліть їх перед початком роботи
- **Зафіксуйте оброблювану деталь** (оброблювана деталь, зафіксована за допомогою затискових пристроїв або лещат, закріплюється краще, ніж вручну)
- **Використовуйте придатні пошукові прилади для знаходження захованих в будівлі труб та кабелів або зверніться за допомогою в місцеве підприємство електро-, газо- та водопостачання** (зачеплення електропроводки може призводити до пожежі та удару електричним струмом; зачеплення газової труби може призводити до вибуху; зачеплення водопроводної труби може завдати шкоду матеріальним цінностям або призводити до удару електричним струмом)

ПІД ЧАС ВИКОРИСТАННЯ

- **При роботах, коли робочий інструмент або гвинт може зачепити заховану електропроводку, тримайте електроінструмент за ізольовані рукоятки** (зачеплення проводки, що знаходиться під напругою, може заряджувати також і металеві частини електроінструмента та призводити до удару електричним струмом)
- У випадку електричної чи механічної несправності негайно вимкніть інструмент або відключіть зарядний пристрій від електричної мережі

ПОЯСНЕННЯ ДО УМОВНИХ ПОЗНАЧЕНЬ НА ІНСТРУМЕНТІ/ ЗАРЯДНОМУ ПРИСТРОЇ

- ③ Перед використанням прочитайте інструкцію із застосування
- ④ Використовуйте зарядний пристрій тільки у приміщенні
- ⑤ Подвійна ізоляція (заземлюючий провід не потрібен)
- ⑥ Неправильна полярність при

підключенні зарядного пристрою є небезпечною (заряджайте батарею тільки зарядним пристроєм, що поставляється в комплекті з інструментом)

- ⑦ Не викидайте електроінструмент та батареї разом зі звичайним сміттям

ВИКОРИСТАННЯ

- Заряджання акумулятора ⑧
 - ! нова акумуляторна або та, що не використовувалася протягом тривалого періоду часу, потребує для досягнення своєї повної ємності приблизно 5 циклів заряджання/озряджання
 - підключіть зарядний пристрій А до стінної розетки і контактної гнізда В
 - індикатор С буде горіти ЗЕЛЕНИМ кольором, що вказує на заряджання батареї
 - коли батарея повністю заряджена, вимикається індикатор С (приблизно через 3 години)
 - літій-іонну батарею можна заряджати будь-коли (переривання процесу заряджання не пошкоджує батарею)
 - літєво-іонний акумулятор не обов'язково повністю розряджати перед заряджанням (в ньому відсутній "ефект пам'яті", який проявляється у нікелево-кадмієвих акумуляторах)
 - не можна користуватися інструментом під час заряджання; якщо він не працює під час заряджання, це не означає, що він вийшов з ладу
 - якщо ви не будете користуватись інструментом довгий час, то від'єднайте зарядний пристрій від джерела електроенергії
- Вкл/Викл ⑨
- Зміна напрямку обертання ⑩
 - при неповній установці положення лів/прав пусковий вимкатель D ② не працює
 - ! міняйте напрям обертання тільки при повній зупинці інструмента

- Заміна насадок ⑪
 - вставляйте насадку у удержувача біт G
 - ! не використовуйте насадки з пошкодженим стовбуром
- Автоматичне блокування шпинделя Дозволяє за необхідності вгвинчувати й вигвинчувати шурупи вручну ⑫
- Світлодіодний індикатор ⑬ Світлодіодний індикатор Н загоряється автоматично при включенні перемикача D, навіть коли перемикач E знаходиться в середньому (вимкненому) положенні
- Місце для зберігання свердел J ② Забезпечує зберігання у передній частині 2 наконечників
- Індикатор рівня заряду батареї Якщо індикатор С ② загоряється при напівнатиснутому вимикачі D ② ЧЕРВОНИМ кольором, в батареї залишилося менше 30% її ємності і її треба зарядити
- Два положення ручки ⑭
- Захист акумулятора Вимикає інструмент автоматично, коли температура батареї стає за надто високою (> +65°C) літєво-іонний акумулятор практично розряджений (для попередження глибокого розряджання)

ПОРАДИ ПО ВИКОРИСТАННЮ

- Використовуйте відповідні насадки ⑮
 - ! не використовуйте пошкоджені насадки
 - ! використовуйте насадки тільки з шістьма вісьми
- При вгвинчуванні шурупів у поперечний зріз дерева або біля нього або в кромку дерева необхідно спочатку просвердлити отвір, щоб запобігти розколу деревини
- Для оптимального вгвинчування необхідно створювати постійний тиск на інструмент, коли вигвинчуєте тиснути треба сильніше

- Коли працюєте з особливо твердими породами дерев необхідно зробити попереднє просвердлювання
- Дивіться додаткову інформацію на сайті www.skil.com

ДОГЛЯД/ОБСЛУГОВУВАННЯ

- Цей інструмент не придатний для промислового використання
- Тримайте інструмент та зарядний пристрій у чистоті
! перед чищенням зарядного пристрою слід від'єднати його від електромережі
- Якщо незважаючи на ретельну технологію виготовлення і перевірки інструмент/зарядний пристрій все-таки вийде з ладу, його ремонт дозволяється виконувати лише в авторизованій сервісній майстерні для електроприладів SKIL
 - відішліть інструмент або зарядний пристрій у **нерозібраному** вигляді разом з доказом покупки дилеру або в найближчий відділ обслуговування SKIL (адреси та схема обслуговування інструмента приводяться в www.skil.com)
- Візьміть до відома, що ушкодження внаслідок перевантаження або неналежного поводження з інструментом не будуть включені в гарантію (умови гарантії SKIL див. на сайті www.skil.com або довідайтеся в дилера у Вашому регіоні)

ОХОРОНА НАВКОЛИШНЬОЇ СЕРЕДИ

- **Не викидайте електроінструмент, належності та упаковку разом зі звичайним сміттям** (тільки для країн ЄС)
 - відповідно до європейської директиви 2012/19/ЄС щодо утилізації старих електричних та електронних приладів, в залежності з місцевим законодавством, електроінструмент, який

перебував в експлуатації повинен бути утилізований окремо, безпечним для навколишнього середовища шляхом

- малюнок ⑦ нагадає вам про це
- ! вийміть батареї, перш ніж викинути інструменту**
- Виймання/викидання батарей ⑯
! виймайте батареї тільки, якщо вони повністю розряджені
 - покрийте клеми батарей щільною ізоляційною стрічкою для запобігання короткого замикання
 - викидайте батареї в офіційному пункті збору батарей
 - ! при влученні у вогонь батареї вибухають, тому в жодному разі не спалюйте батареї**

ШУМ / ВІБРАЦІЯ

- Зміряний відповідно до EN 60745 рівень тиску звуку даного інструменту <70 дБ(А) (стандартне відхилення: 3 дБ) і вібрація <2,5 м/с² (векторна сума трьох напрямків; похибка K = 1,5 м/с²)
- Рівень вібрації було виміряно у відповідності зі стандартизованим випробуванням, що міститься в EN 60745; дана характеристика може використовуватися для порівняння одного інструмента з іншим, а також для попередньої оцінки впливу вібрації під час застосування даного інструмента для вказаних цілей
 - при використанні інструмента в інших цілях або з іншими/несправними допоміжними пристосуваннями рівень впливу вібрації може значно **підвищуватися**
 - у періоди, коли інструмент вимикнений або функціонує без фактичного виконання роботи, рівень впливу вібрації може значно **знижуватися**
 - ! захищайте себе від впливу вібрації, підтримуючи інструмент і його допоміжні пристосування в справному стані, підтримуючи руки в теплі, а також правильно організовуючи свій робочий процес**

Επαναφορτιζόμενο κατσαβίδο

2710

ΕΙΣΑΓΩΓΗ

- Το εργαλείο αυτό με δεξιο-αριστερόστροφη περιστροφή προορίζεται για βίδωμα και προδιάτρηση σε ξύλο
- Αυτό το εργαλείο δεν προορίζεται για επαγγελματική χρήση
- Διαβάστε και φυλάξτε αυτές τις οδηγίες χρήσεως ③

ΤΕΧΝΙΚΑ ΧΑΡΑΚΤΗΡΙΣΤΙΚΑ ①

Μέγιστη ροπή στρέψης σκληρή περίπτωση βιδώματος σύμφωνα με ISO 5393 : 7Nm

ΜΕΡΗ ΤΟΥ ΕΡΓΑΛΕΙΟΥ ②

- A Φορτιστή
- B Υποδοχή για το φορτιστή
- C Ένδειξη κατάστασης μπαταρίας
- D Διακόπτης εκκίνησης/στάσης
- E Διακόπτης αλλαγής της κατεύθυνσης περιστροφής
- F Διακόπτης ξεκλειδώματος εξαρτήματος περιστροφής
- G Μαγνητική θέση συγκράτησης μύτων
- H Λαμπάκι LED
- J Αποθήκευση μύτων

ΑΣΦΑΛΕΙΑ

ΓΕΝΙΚΕΣ ΥΠΟΔΕΙΞΕΙΣ ΑΣΦΑΛΕΙΑΣ ΓΙΑ ΗΛΕΚΤΡΙΚΑ ΕΡΓΑΛΕΙΑ

⚠ ΠΡΟΕΙΔΟΠΟΙΗΣΗ Διαβάστε όλες τις προειδοποιήσεις ασφαλείας καθώς και τις οδηγίες, εικόνες και προδιαγραφές που παρέχονται με αυτό το ηλεκτρικό εργαλείο. Αμέλεια τήρησης όλων των οδηγιών που παρατίθενται παρακάτω μπορεί να προκαλέσει ηλεκτροπληξία, πυρκαγιά ή και σοβαρό τραυματισμό.

Φυλάξτε όλες τις υποδείξεις ασφαλείας και τις οδηγίες για το μέλλον.

Ο ορισμός “ηλεκτρικό εργαλείο” που χρησιμοποιείται στις προειδοποιητικές υποδείξεις αναφέρεται σε ηλεκτρικά εργαλεία που τροφοδοτούνται από το ηλεκτρικό δίκτυο (με ηλεκτρικό καλώδιο) καθώς και σε ηλεκτρικά εργαλεία που τροφοδοτούνται από μπαταρία (χωρίς ηλεκτρικό καλώδιο).

1) ΑΣΦΑΛΕΙΑ ΣΤΟ ΧΩΡΟ ΕΡΓΑΣΙΑΣ

- a) Διατηρείτε το χώρο που εργάζεσθε καθαρό και καλά φωτισμένο. Αταξία στο χώρο που εργάζεσθε ή μη φωτισμένες περιοχές εργασίας μπορεί να οδηγήσουν σε ατυχήματα.
- b) Μην εργάζεσθε με το ηλεκτρικό εργαλείο σε περιβάλλον που υπάρχει κίνδυνος έκρηξης, στο οποίο υπάρχουν εύφλεκτα υγρά, αέρια ή σκόνη. Τα ηλεκτρικά εργαλεία μπορεί να δημιουργήσουν σπινθηρισμό ο οποίος μπορεί να αναφλέξει τη σκόνη ή τις αναθυμιάσεις.
- c) Όταν χρησιμοποιείτε το ηλεκτρικό εργαλείο κρατάτε τα παιδιά κι άλλα τυχόν πρόσωπα μακριά από το χώρο που εργάζεσθε. Σε περίπτωση που άλλα άτομα αποσπάσουν την προσοχή σας μπορεί να χάσετε τον έλεγχο του μηχανήματος.

2) ΗΛΕΚΤΡΙΚΗ ΑΣΦΑΛΕΙΑ

- a) Το φως του καλωδίου του ηλεκτρικού εργαλείου πρέπει να ταιριάζει στην αντίστοιχη πρίζα. Δεν επιτρέπεται με κανένα τρόπο η μετασκευή του φως. Μη χρησιμοποιείτε προσαρμοστικά φως σε συνδυασμό με ηλεκτρικά εργαλεία συνδεδεμένα με τη γη (γειωμένα). Αθικτα φως και κατάλληλες πρίζες μειώνουν τον κίνδυνο ηλεκτροπληξίας.
- b) Αποφεύγετε την επαφή του σώματος σας με γειωμένες επιφάνειες όπως σωλήνες, θερμαντικά σώματα (καλοριφέρ), κουζίνες και ψυγεία. Όταν το σώμα σας είναι γειωμένο αυξάνεται ο κίνδυνος ηλεκτροπληξίας.
- c) Μην εκθέτετε το ηλεκτρικό εργαλείο στη βροχή ή την

υγρασία. Η διείσδυση νερού στο ηλεκτρικό εργαλείο αυξάνει τον κίνδυνο ηλεκτροπληξίας.

- d) **Μη χρησιμοποιείτε το καλώδιο για να μεταφέρετε ή ν'αναρτήσετε το ηλεκτρικό εργαλείο ή για να βγάλετε το φις από την πρίζα. Κρατάτε το καλώδιο μακριά από υψηλές θερμοκρασίες, λάδια, κοφτερές ακμές η κινούμενα εξαρτήματα.** Τυχόν χαλασμένα ή υπερθερμένα καλώδια αυξάνουν τον κίνδυνο ηλεκτροπληξίας.
- e) **Όταν εργάζεστε με το ηλεκτρικό εργαλείο στο ύπαιθρο χρησιμοποιείτε πάντοτε καλώδια επιμήκυνσης (μπαλαντάζες) που έχουν εγκριθεί για χρήση σε εξωτερικούς χώρους.** Η χρήση καλωδίων επιμήκυνσης εγκριμένων για εργασία σε εξωτερικούς χώρους μειώνει τον κίνδυνο ηλεκτροπληξίας.
- f) **Όταν η χρήση του ηλεκτρικού εργαλείου σε υγρό περιβάλλον είναι αναπόφευκτη, τότε χρησιμοποιήστε έναν προστατευτικό διακόπτη διαρροής.** Η χρήση ενός προστατευτικού διακόπτη διαρροής ελαττώνει τον κίνδυνο ηλεκτροπληξίας.
- 3) ΑΣΦΑΛΕΙΑ ΠΡΟΣΩΠΩΝ**
- a) **Να είσθε πάντοτε προσεκτικός/προσεκτική, να δίνετε προσοχή στην εργασία που κάνετε και να χειρίζεστε το ηλεκτρικό εργαλείο με περισκεψή. Μην κάνετε χρήση του ηλεκτρικού εργαλείου όταν είσθε κουρασμένος/κουρασμένη ή όταν βρίσκεσθε υπό την επιρροή ναρκωτικών, οινοπνεύματος ή φαρμάκων.** Μια στιγμιαία απροσεξία κατά το χειρισμό του ηλεκτρικού εργαλείου μπορεί να οδηγήσει σε σοβαρούς τραυματισμούς.
- b) **Φοράτε προστατευτικά ενδύματα και πάντοτε προστατευτικά γυαλιά.** Όταν φοράτε ενδύματα ασφαλείας, ανάλογα με το υπό χρήση ηλεκτρικό εργαλείο, όπως προσωπίδα προστασίας από σκόνη, αντιολισθητικά παπούτσια ασφαλείας, κράνη ή ωτασπίδες, μειώνεται ο κίνδυνος τραυματισμών.

- c) **Αποφεύγετε την αθέλητη εκκίνηση. Βεβαιωθείτε ότι το ηλεκτρικό εργαλείο έχει αποζευχτεί πριν το συνδέσετε με το ηλεκτρικό δίκτυο ή/και με την μπαταρία καθώς και πριν το παραλάβετε ή το μεταφέρετε.** Όταν μεταφέρετε το ηλεκτρικό εργαλείο έχοντας το δάχτυλό σας στο διακόπτη ή όταν συνδέσετε το μηχάνημα με την πηγή ρεύματος όταν αυτό είναι ακόμη συζευγμένο, τότε δημιουργείται κίνδυνος τραυματισμών.
- d) **Αφαιρείτε από τα ηλεκτρικά εργαλεία πριν τα θέσετε σε λειτουργία τυχόν συναρμολογημένα χρησιμοποιήσιμα εργαλεία ή κλειδιά.** Ενα εργαλείο ή κλειδί συναρμολογημένο στο περιστρεφόμενο εξάρτημα ενός ηλεκτρικού εργαλείου μπορεί να οδηγήσει σε τραυματισμούς.
- e) **Μην υπερκτιμάτε τον εαυτό σας. Φροντίστε για την ασφαλή στήριξη του σώματος σας και διατηρείτε πάντοτε την ισορροπία σας.** Αυτό σας επιτρέπει τον καλύτερο έλεγχο το ηλεκτρικού εργαλείου σε περιπτώσεις απροσδόκητων καταστάσεων.
- f) **Φοράτε κατάλληλη ενδυμασία εργασίας. Μη φοράτε φαρδιά ρούχα ή κοσμήματα. Κρατάτε τα μαλλιά και τα ρούχα σας μακριά από κινούμενα εξαρτήματα.** Χαλαρή ενδυμασία, κοσμήματα και μακριά μαλλιά μπορεί να εμπλακούν στα κινούμενα εξαρτήματα.
- g) **Αν υπάρχει η δυνατότητα συναρμολόγησης διατάξεων αναρρόφησης ή συλλογής σκόνης, βεβαιωθείτε αν οι διατάξεις αυτές είναι συνδεδεμένες καθώς κι αν χρησιμοποιούνται σωστά.** Η χρήση μιας αναρρόφησης σκόνης μπορεί να ελαττώσει τον κίνδυνο που προκαλείται από τη σκόνη.
- h) **Μην εφησυχάζετε σε μια λάθος ασφάλεια και μην αφήφάτε τους κανόνες ασφαλείας για τα ηλεκτρικά εργαλεία, ακόμα και όταν μετά από συχνή**

χρήση είστε εξοικειωμένοι με το εργαλείο. Ένας απρόσεκτος χειρισμός μπορεί μέσα σε κλάσματα του δευτερολέπτου να οδηγήσει σε σοβαρούς τραυματισμούς.

4) ΧΡΗΣΗ ΚΙ ΕΠΙΜΕΛΗΣ ΧΕΙΡΙΣΜΟΣ ΤΩΝ ΗΛΕΚΤΡΙΚΩΝ ΕΡΓΑΛΕΙΩΝ

- a) **Μην υπερφορτώνετε το ηλεκτρικό εργαλείο. Χρησιμοποιείτε για την εκάστοτε εργασία σας το ηλεκτρικό εργαλείο που προορίζεται γι' αυτήν.** Με το κατάλληλο ηλεκτρικό εργαλείο εργάζεσθε καλύτερα και ασφαλέστερα στην αναφερόμενη περιοχή ισχύος.
- b) **Μη χρησιμοποιήσετε ποτέ ένα ηλεκτρικό εργαλείο του οποίου ο διακόπτης ON/OFF είναι χαλασμένος.** Ένα ηλεκτρικό εργαλείο το οποίο δεν μπορεί να τεθεί πλέον σε ή εκτός λειτουργίας είναι επικίνδυνο και πρέπει να επισκευαστεί.
- c) **Τραβήξτε το φιν από την πρίζα και/ή απομακρύνετε μια αποσπώμενη μπαταρία, προτού εκτελέσετε ρυθμίσεις στο ηλεκτρικό εργαλείο, προτού αλλάξετε εξαρτήματα ή φυλάξετε το ηλεκτρικό εργαλείο.** Αυτά τα προληπτικά μέτρα ασφαλείας μειώνουν τον κίνδυνο από τυχόν αθέλητη εκκίνηση του ηλεκτρικού εργαλείου.
- d) **Διαφυλάγετε τα ηλεκτρικά εργαλεία που δε χρησιμοποιείτε μακριά από παιδιά. Μη αφήνετε άτομα που δεν είναι εξοικειωμένα με το ηλεκτρικό εργαλείο ή δεν έχουν διαβάσει αυτές τις οδηγίες χρήσης να το χρησιμοποιήσουν.** Τα ηλεκτρικά εργαλεία είναι επικίνδυνα όταν χρησιμοποιούνται από άπειρα πρόσωπα.
- e) **Φροντίζετε τα ηλεκτρικά εργαλεία και τα εξάρτημα με επιμέλεια. Ελέγχετε, αν τα κινούμενα εξαρτήματα λειτουργούν άψογα, χωρίς να μπλοκάρουν, ή μήπως έχουν σπάσει ή φθαρεί τυχόν εξαρτήματα τα οποία επηρεάζουν τον τρόπο λειτουργίας του**

ηλεκτρικού εργαλείου.

Δώστε αυτά τα χαλασμένα εξαρτήματα για επισκευή πριν τα ξαναχρησιμοποιήσετε. Η κακή συντήρηση των ηλεκτρικών εργαλείων αποτελεί αιτία πολλών ατυχημάτων.

- f) **Διατηρείτε τα κοπτικά εργαλεία κοφτερά και καθαρά.** Τα κοπτικά εργαλεία που συντηρούνται με προσοχή μπορούν να οδηγηθούν εύκολα και να ελεγχθούν καλύτερα.
 - g) **Χρησιμοποιείτε τα ηλεκτρικά εργαλεία, τα εξαρτήματα, τα χρησιμοποιήσιμα εργαλεία κτλ. σύμφωνα με τις παρούσες οδηγίες καθώς. Λαμβάνετε ταυτόχρονα υπόψη σας τις συνθήκες εργασίας και την υπό εκτέλεση εργασία.** Η χρήση του ηλεκτρικού εργαλείου για άλλες εκτός από τις προβλεπόμενες εργασίες μπορεί να δημιουργήσει επικίνδυνες καταστάσεις.
 - h) **Διατηρείτε τις λαβές και επιφάνειες λαβής στεγνές, καθαρές και ελεύθερες από λάδι και γράσο.** Οι ολισθηρές λαβές και επιφάνειες λαβής δεν επιτρέπουν κανέναν ασφαλή χειρισμό και έλεγχο του ηλεκτρικού εργαλείου σε τυχόν απρόβλεπτες καταστάσεις.
- #### **5) ΧΡΗΣΗ ΚΙ ΕΠΙΜΕΛΗΣ ΧΕΙΡΙΣΜΟΣ ΕΡΓΑΛΕΙΩΝ ΜΠΑΤΑΡΙΑΣ**
- a) **Φορτίζετε μόνο με φορτιστής που προβλέπει ο κατασκευαστής.** Η φόρτιση με φορτιστής που δεν προορίζονται για τον υπό φόρτιση τύπο του μπλοκ μπαταρίας δημιουργεί κίνδυνο πυρκαγιάς.
 - b) **Χρησιμοποιείτε τα ηλεκτρικά εργαλεία πάντοτε με τα προβλεπόμενα για αυτά μπλοκ μπαταρίας.** Η χρήση διαφορετικών μπλοκ μπαταρίας μπορεί να οδηγήσει σε τραυματισμούς ή πυρκαγιά.
 - c) **Διαφυλάγετε τις μπαταρίες που δε χρησιμοποιείτε μακριά από μεταλλικά αντικείμενα, π.χ. από συνδετήρες χαρτιών, νομίσματα, κλειδιά, καρφιά, βίδες κι άλλα παρόμοια μικροαντικείμενα, τα οποία θα μπορούσαν να επιγεφυρώσουν τις διάφορες**

μεμονωμένες επαφές. Μια επιγεφύρωση από μεταλλικά αντικείμενα μπορεί να προκαλέσει βραχυκύκλωμα, σπινθηρισμό ή πυρκαγιά.

- d) **Υπό δυσμενείς συνθήκες λειτουργίας μπορεί να διαρρεύσουν υγρά από την μπαταρία. Αποφεύγετε κάθε επαφή με μια μη στεγανή μπαταρία. Σε περίπτωση ακούσιας επαφής με τα υγρά, ξεπλύντε αμπαώς με νερό την αντίστοιχη θψη επαφής. Εκτός από αυτό, αν τα υγρά διεισδύσουν στα μάτια σας, επισκεφτείτε χωρίς καθυστέρηση πνα γιατρό.** Τα διαρρηπντα υγρά των μπαταριών μπορεί να προκαλψουν ερεθισμούς ή και εγκαύματα.
- e) **Μη χρησιμοποιείτε καμία χαλασμένη ή τροποποιημένη μπαταρία ή ηλεκτρικό εργαλείο.** Οι χαλασμένες ή τροποποιημένες μπαταρίες μπορεί να παρουσιάσουν μια απρόβλεπτη συμπεριφορά και να οδηγήσουν σε φωτιά, έκρηξη ή σε κίνδυνο τραυματισμού.
- f) **Μην εκθέτετε μια μπαταρία ή ένα ηλεκτρικό εργαλείο σε φωτιά ή σε πολύ υψηλές θερμοκρασίες.** Η φωτιά ή οι θερμοκρασίες πάνω από 130°C μπορεί να προκαλέσουν μια έκρηξη.
- g) **Τηρείτε όλες τις υποδείξεις για τη φόρτιση και μη φορτίζετε την μπαταρία ή το εργαλείο μπαταρίας ποτέ εκτός της περιοχής θερμοκρασίας που αναφέρεται στις οδηγίες λειτουργίας.** Η λάθος φόρτιση ή η φόρτιση εκτός της επιτρεπτής περιοχής θερμοκρασίας μπορεί να καταστρέψει την μπαταρία και να αυξήσει τον κίνδυνο πυρκαγιάς.
- 6) **ΣΕΡΒΙΣ**
- a) **Δίνετε το ηλεκτρικό σας εργαλείο για επισκευή από άριστα ειδικευμένο προσωπικό, μόνο με γνήσια ανταλλακτικά.** Έτσι εξασφαλίζεται η διατήρηση της ασφάλειας του ηλεκτρικού εργαλείου.
- b) **Μη συντηρείτε ποτέ χαλασμένες μπαταρίες. Κάθε**

συντήρηση των μπαταριών πρέπει να πραγματοποιείται μόνο από τον κατασκευαστή ή από εξουσιοδοτημένα συνεργεία σέρβις πελατών.

ΥΠΟΔΕΙΞΕΙΣ ΑΣΦΑΛΕΙΑΣ ΓΙΑ ΕΠΑΝΑΦΟΡΤΙΖΟΜΕΝΟ ΚΑΤΣΑΒΙΔΟ

ΓΕΝΙΚΑ

- **Μην κατεργάζεστε υλικά που περιέχουν αμίαντο** (το αμίαντο θεωρείται σαν καρκινογόνο υλικό)
 - Η σκόνη από υλικά όπως μογιές που περιέχουν μόλυβδο, ορισμένα είδη ξύλου, ανόργανα στοιχεία και μέταλλα μπορεί να είναι επιβλαβής (η επαφή ή η εισπνοή της σκόνης μπορεί να προκαλέσει αλλεργικές αντιδράσεις ή/και αναπνευστικές ασθένειες στον χειριστή ή σε άτομα που παρίστανται) - **να φοράτε προσωπίδα προστασίας από τη σκόνη και να εργάζεστε με συσκευή αφαίρεσης σκόνης όταν είναι δυνατό**
 - Ορισμένα είδη σκόνης ταξινομούνται ως καρκινογόνα (όπως η σκόνη από τη δρυ ή την οξιά) ιδιαίτερα σε συνδυασμό με πρόσθετα συντήρησης ξύλου - **να φοράτε προσωπίδα προστασίας από τη σκόνη και να εργάζεστε με συσκευή αφαίρεσης σκόνης όταν είναι δυνατό**
 - Ακολουθήστε τις σχετικές με σκόνη εθνικές διατάξεις για τα υλικά που θέλετε να εργαστείτε
 - Μην εκθέτετε το εργαλείο/φορτιστή στη βροχή
 - Μην αποσυναρμολογήσετε το φορτιστή ή το εργαλείο
 - Βεβαιωθείτε ότι ο διακόπτης E ② βρίσκεται στη μεσαία θέση (κλειδωμα), πριν διεξάγετε κάποια εργασία ρύθμισης στο εργαλείο ή αλλάξετε εξάρτημα όπως και όταν μεταφέρετε ή αποθηκεύσετε το εργαλείο
- ΦΟΡΤΙΣΗ/ΜΠΑΤΑΡΙΕΣ**
- Να χρησιμοποιείτε μόνο το φορτιστή SKIL 2610Z07379 με αυτό το εργαλείο

- **Αυτός ο φορτιστής μπορεί να χρησιμοποιηθεί από παιδιά από 8 ετών και πάνω καθώς και από άτομα με περιορισμένες φυσικές, αισθητήριες ή διανοητικές ικανότητες ή με έλλειψη εμπειρίας και ανεπαρκείς γνώσεις, όταν επιβλέπονται από ένα υπεύθυνο για την ασφάλειά τους άτομο ή έχουν από αυτό καθοδηγηθεί σχετικά με την ασφαλή εργασία με το φορτιστή και τους συνυφασμένους με αυτή κινδύνους (διαφορετικά υπάρχει κίνδυνος λαθεμένου**

χειρισμού και τραυματισμού)

- **Να επιτηρείτε τα παιδιά** (έτσι εξασφαλίζεται ότι τα παιδιά δεν θα παίξουν με το φορτιστή)
 - **Δεν επιτρέπεται ο καθαρισμός και η συντήρηση του φοτιστή από παιδιά όταν αυτά δεν βρίσκονται υπό επίτηρηση**
 - Μην χρησιμοποιείτε το φορτιστή όταν έχει βλάβη
 - Επιτρεπτή θερμοκρασία περιβάλλοντος (εργαλείο/φορτιστή/ μπαταρία):
 - κατά τη φόρτιση 4...40°C
 - κατά τη λειτουργία -20...+50°C
 - κατά την αποθήκευση -20...+50°C
- ΕΞΑΡΤΗΜΑΤΑ**
- Η SKIL εγγυάται την τέλεια λειτουργία του εργαλείου μόνο όταν χρησιμοποιούνται αυθεντικά εξαρτήματα
- ΠΡΙΝ ΑΠΟ ΤΗ ΧΡΗΣΗ**
- Βεβαιωθείτε ότι η τάση του παρεχόμενου ρεύματος είναι ίδια με την τάση που υποδεικνύεται στην πινακίδα δεδομένων του φορτιστή
 - Προφυλάξτε το εργαλείο από τυχόν φθορές από ξένα σώματα (βίδες, καρφιά ή άλλα) που ίσως είναι μέσα στο κομμάτι που θα δουλέψετε - αφαιρέστε τα πριν αρχίσετε την εργασία
 - **Στερεώστε το κομμάτι εργασίας** (το κομμάτι εργασίας συγκρατείται καλύτερα με σφιγκτήρες ή σε μέγγενη παρά με το χέρι)
 - **Χρησιμοποιήστε κατάλληλες**

ανιχνευτικές συσκευές για να εντοπίσετε τυχόν αφανείς τροφοδοτικές γραμμές ή συμβουλευτείτε σχετικά τις επιχειρήσεις παροχής ενέργειας (επαφή με ηλεκτρικές γραμμές μπορεί να οδηγήσει σε πυρκαϊά ή σε ηλεκτροπληξία - βλάβες σε αγωγούς φωταερίου (γκαζιού) μπορεί να οδηγήσουν σε έκρηξη - η διείσδυση σ' ένα σωλήνα νερού προκαλεί υλικές ζημιές ή μπορεί να προκαλέσει ηλεκτροπληξία)

ΚΑΤΑ ΤΗ ΧΡΗΣΗ

- Να κρατάτε το ηλεκτρικό εργαλείο από τις μονωμένες επιφάνειες συγκράτησης όταν υπάρχει κίνδυνος το κοπτικό εξάρτημα ή η βίδα να έρθει σε επαφή με μη ορατούς ηλεκτροφόρους αγωγούς (η επαφή με έναν ηλεκτροφόρο αγωγό μπορεί να θέσει τα μεταλλικά μέρη του ηλεκτρικού εργαλείου επίσης υπό τάση και προκαλέσει έτσι ηλεκτροπληξία)
- Σε περίπτωση ηλεκτρικής ή μηχανικής κακής λειτουργίας, σταματήστε αμέσως το εργαλείο ή αποσυνδέστε το φορτιστή από το δίκτυο ρεύματος

ΕΠΕΞΗΓΗΣΗ ΤΩΝ ΣΥΜΒΟΛΩΝ ΣΤΟ ΕΡΓΑΛΕΙΟ/ΦΟΡΤΙΣΤΗ

- ③ Διαβάστε το εγχειρίδιο οδηγιών πριν από τη χρήση
- ④ Να χρησιμοποιείτε το φορτιστή μόνο σε εσωτερικούς χώρους
- ⑤ Διπλή μόνωση (δεν απαιτείται καλώδιο γείωσης)
- ⑥ Η εσφαλμένη πολικότητα στη σύνδεση του φορτιστή μπορεί να αποτελέσει κίνδυνο (να φορτίζετε την μπαταρία μόνο με το φορτιστή που παρέχεται)
- ⑦ Μην πετάτε τα ηλεκτρικά εργαλεία και μπαταρίες στον κάδο οικιακών απορριμμάτων

ΧΡΗΣΗ

- Φόρτιση της μπαταρίας ⑧
! μια νέα μπαταρία ή μια μπαταρία που δε χρησιμοποιήθηκε για αρκετό καιρό αποκτά τη βέλτιστη

απόδοσή της μετά από 5 περίπου κύκλους φόρτισης/εκφόρτισης

- συνδέστε το φορτιστή A τόσο στην πρίζα όσο και στην υποδοχή B
- η ένδειξη C ανάψει με χρώμα ΠΡΑΣΙΝΟ υποδεικνύοντας ότι η μπαταρία φορτίζεται
- όταν η μπαταρία είναι πλήρως φορτισμένη, σβήνει η ένδειξη C (μετά από περίπου 3 ώρες)
- η μπαταρία ιόντων λιθίου μπορεί να φορτιστεί ανά πάσα στιγμή (η διακοπή της διαδικασίας φόρτισης δεν προκαλεί βλάβη στη μπαταρία)
- η μπαταρία λιθίου δε χρειάζεται να αδειάσει τελείως προτού φορτιστεί ξανά (δεν παρουσιάζει φαινόμενο μνήμης ρεύματος όπως οι μπαταρίες νικελίου - καδμίου)
- κατά τη διάρκεια της φόρτισης δεν μπορείτε να χρησιμοποιήσετε το εργαλείο - δεν είναι, λοιπόν, χαλασμένο όταν κατά τη διάρκεια της φόρτισης δεν λειτουργεί
- για μακρές περιόδους που δεν χρησιμοποιείτε το εργαλείο, είναι καλύτερα να έχετε αποσυνδεδεμένο το φορτιστή από το δίκτυο ρεύματος
- Εκκίνηση/Σταση ⑨
- Αλλαγή της κατεύθυνσης περιστροφής ⑩
 - αν η διακόπτης D ② δεν είναι σωστά τοποθετημένη στη μία ή άλλη θέση δεν μπορεί να ενεργοποιηθεί
- ! αλλάζετε την κατεύθυνση περιστροφής μόνο όταν το εργαλείο είναι τελείως σταματημένο**
- Αλλαγή μύτων ⑪
 - σπρώξτε τη μύτη μέχρι το τέρμα στη θέση συγκράτησης G
 - ! μη χρησιμοποιείτε μύτη με φθαρμένο στέλεχος**
- Αυτόματη εμπλοκή του άξονα Σας επιτρέπει όπου είναι απαραίτητο να σφίξετε ή να ξεσφίξετε βίδες χειροκίνητα ⑫
- Λαμπάκι LED ⑬
Η λυχνία LED Η ανάβει αυτόματα κατά την ενεργοποίηση του διακόπτη D, ακόμα και όταν ο διακόπτης E είναι στη μεσαία θέση (κλειδώματος)

- Θήκη μύτων J ②
Έχει θήκες για την τοποθέτηση 2 μύτων στο εμπρός μέρος
- Ένδειξη κατάστασης μπαταρίας
Αν η ένδειξη C ② ανάψει όταν είναι κατά το μισό πατημένος ο διακόπτης D ② με χρώμα ΚΟΚΚΙΝΟ, τότε η μπαταρία διαθέτει λιγότερο από 30% της χωρητικότητάς της και θα πρέπει να φορτιστεί
- Δύο θέσεις λαβής ⑭
- Προστασία της μπαταρίας
Απενεργοποιεί το εργαλείο αυτόματα όταν η θερμοκρασία της μπαταρίας φτάσει σε πολύ υψηλά επίπεδα (> +65°C) η μπαταρία λιθίου έχει σχεδόν αδειάσει (για την προστασία της έναντι βαθείας εκφόρτισης)

ΟΔΗΓΙΕΣ ΕΦΑΡΜΟΓΗΣ

- Χρησιμοποιείτε τη κατάλληλη μύτη ⑮
! μη χρησιμοποιείτε φθαρμένη μύτη
! χρησιμοποιείτε μόνο κατσαβιδόλαμες με εξαγωγικό στέλεχος
- Όταν έχετε να βιδώσετε μία βίδα στη γωνία ή σε άκρα ξύλου θα πρέπει πρώτα να τρυπήσετε με τρυπάνι για να αποφύγετε το "σκάσιμο" του ξύλου
- Για άριστη χρήση του εργαλείου σας απαιτείται σταθερή πίεση επάνω στη βίδα, ειδικά όταν αφαιρείτε βίδες
- Όταν βιδώνετε σε σκληρό ξύλο πρέπει πρώτα να έχετε κάνει μία ανάλογη τρύπα
- Για περισσότερες πληροφορίες επισκεφθείτε τη σελίδα www.skil.com

ΣΥΝΤΗΡΗΣΗ / ΣΕΡΒΙΣ

- Αυτό το εργαλείο δεν προορίζεται για επαγγελματική χρήση
- Κρατήστε το εργαλείο σας και το φορτιστή καθαρά
! αποσυνδέστε το φορτιστή από το δίκτυο ρεύματος προτού καθαρίσετε
- Αν παρ' όλες τις επιμελημένες μεθόδους κατασκευής κι ελέγχου το εργαλείο/φορτιστή σταματήσει κάποτε να λειτουργεί, τότε η

- επισκευή του πρέπει να ανατεθεί σ' ένα εξουσιοδοτημένο συνεργείο για ηλεκτρικά εργαλεία της SKIL
- στείλτε το εργαλείο ή το φορτιστή **χωρίς να το αποσυναρμολογήσετε** μαζί με την απόδειξη αγοράς στο κατάστημα από το οποίο το αγοράσατε ή στον πλησιέστερο σταθμό τεχνικής εξυπηρέτησης της SKIL (θα βρείτε τις διευκρινίσεις και το διάγραμμα συντήρησης του εργαλείου στην ιστοσελίδα www.skil.com)
 - Να γνωρίζετε ότι βλάβες που προκαλούνται λόγω υπερφόρτωσης ή ακατάλληλου χειρισμού του εργαλείου, δεν καλύπτονται από την εγγύηση (για τους όρους της εγγύησης της SKIL επισκεφθείτε τη διεύθυνση www.skil.com ή απευθυνθείτε στον πλησιέστερο αντιπρόσωπο)

ΠΕΡΙΒΑΛΛΟΝ

- **Μην πετάτε τα ηλεκτρικά εργαλεία, εξαρτημάτα και συσκευασία στον κάδο οικιακών απορριμμάτων** (μόνο για τις χώρες της ΕΕ)
 - σύμφωνα με την ευρωπαϊκή οδηγία 2012/19/ΕΚ περί ηλεκτρικών και ηλεκτρονικών συσκευών και την ενσωμάτωσή της στο εθνικό δίκαιο, τα ηλεκτρικά εργαλεία πρέπει να συλλέγονται ξεχωριστά και να επιστρέφονται για ανακύκλωση με τρόπο φιλικό προς το περιβάλλον
 - το σύμβολο ⑦ θα σας το θυμήσει αυτό όταν έλθει η ώρα να πετάξετε τις
- **! αφαιρέστε τις μπαταρίες πριν την απόρριψη του εργαλείου**
- Αφαίρεση/απόρριψη μπαταριών ⑯
! να αφαιρέτε τις μπαταρίες μόνο όταν έχουν αδειάσει τελείως
 - καλύψτε τους ακροδέκτες της μπαταρίας με μονωτική ταινία για να αποτρέψετε ενδεχόμενο βραχυκύκλωμα
 - απορρίψτε τις μπαταρίες σε επίσημο σημείο συλλογής μπαταριών

! οι μπαταρίες θα εκραγούν εάν γίνει απόρριψή τους σε φωτιά, γι' αυτό μην καίτε τις μπαταρίες για οποιοδήποτε λόγο

ΘΟΡΥΒΟΣ / ΚΡΑΔΑΣΜΟΣ

- Μετρημένη σύμφωνα με EN 60745 η στάθμη ακουστικής πίεσης αυτού του εργαλείου ανέρχεται σε <70 dB(A) (κοινή απόκλιση: 3 dB) και ο κραδασμός σε <2,5 m/s² (άθροισμα ανυσμάτων τριών κατευθύνσεων - ανασφάλεια K = 1,5 m/s²)
 - Το επίπεδο παραγωγής κραδασμών έχει μετρηθεί σύμφωνα με μια τυποποιημένη δοκιμή που αναφέρεται στο πρότυπο EN 60745 - μπορεί να χρησιμοποιηθεί για τη σύγκριση ενός εργαλείου με ένα άλλο, καθώς και ως προκαταρκτική αξιολόγηση της έκθεσης στους κραδασμούς όταν το εργαλείο χρησιμοποιείται για τις εφαρμογές που αναφέρονται
 - η χρήση του εργαλείου για διαφορετικές εφαρμογές ή με διαφορετικά ή κακοσυντηρημένα εξαρτήματα μπορεί να **αυξήσει** σημαντικά το επίπεδο έκθεσης
 - όταν το εργαλείο είναι απενεργοποιημένο ή δουλεύει αλλά δεν εκτελεί την εργασία, το επίπεδο έκθεσης μπορεί να **μειωθεί** σημαντικά
- ! προστατευτείτε από τις επιδράσεις των κραδασμών συντηρώντας σωστά το εργαλείο και τα εξαρτήματά του, διατηρώντας τα χέρια σας ζεστά και οργανώνοντας τον τρόπο εργασίας σας**

RO

Mașină de înșurubat cu acumulatori 2710

INTRODUCERE

- Această sculă cu rotație spre stânga/dreapta este concepută pentru înșurubări și pregătirea în lemn
- Această sculă nu este destinată

utilizării profesionale

- Citiți și păstrați acest manual de instrucțiuni ③

DATE TEHNICE ①

Moment de torsiune maxim, înșurubare dură conform ISO 5393 : 7Nm

ELEMENTELE SCULEI ②

- A Încărcător
- B Contact încărcător
- C Indicator nivel încărcare acumulator
- D Întrerupător pornit/oprit
- E Comutator pentru schimbarea direcției de rotație
- F Buton deblocare pivot
- G Suport de biți magnetică
- H Lampă LED
- J Locaș de biți

SIGURANȚA

INSTRUCȚIUNI GENERALE DE SIGURANȚĂ PENTRU SCULE ELECTRICE

⚠ AVERTISMENT Citiți toate avertismentele, instrucțiunile, ilustrațiile și specificațiile furnizate împreună cu această sculă electrică. Neconformarea la instrucțiunile de mai jos poate produce șoc electric, incendiu și/sau răniri grave.

Păstrați toate avertizările și instrucțiunile în vederea consultării ulterioare.

Termenul de "sculă electrică" folosit în indicațiile de avertizare se referă la sculele electrice alimentate de la rețea (cu cablu de alimentare) și la sculele electrice cu acumulator (fără cablu de alimentare).

1) SIGURANȚA LA LOCUL DE MUNCĂ

- Păstrați-vă locul de muncă curat și bine iluminat.** Dezordinea la locul de muncă sau existența unor sectoare de lucru neiluminate poate duce la accidente.
- Nu folosiți mașina în medii cu**

pericol de explozie, acolo unde există lichide, gaze sau pulberi inflamabile. Sculele electrice pot produce scânteii care să aprindă pulberile sau vaporii.

- c) **Nu permiteți accesul copiilor și al altor persoane în timpul lucrului cu mașina.** Dacă vi se distrage atenția puteți pierde controlul asupra mașinii.

2) SECURITATE ELECTRICĂ

- a) **Ștecherul de racordare a mașinii trebuie să se potrivească cu priza de alimentare. Nu este permisă în nici-un caz modificarea ștecherului. Nu folosiți adaptoare pentru ștechere la mașinile legate la pământ.** Ștecherele nemodificate și prizele de curent adecvate acestora reduc riscul de electrocutare.

- b) **Evitați contactul corporal cu suprafețe legate la pământ ca țevi, radiatoare, plite electrice și frigidere.** Există un risc crescut de electrocutare atunci când corpul dv. este și el legat la pământ.

- c) **Nu lăsați mașina afară în ploaie sau în mediu umed.** Riscul de electrocutare crește atunci când într-o sculă electrică pătrunde apă.

- d) **Nu trageți niciodată mașina de cordonul de alimentare pentru a o transporta, a o atârna sau a scoate ștecherul din priza de curent. Feriți cordonul de alimentare de căldură, ulei, muchii ascuțite sau de subansamble aflate în mișcare.** Un cordon de alimentare deteriorat sau înfășurat mărește riscul de electrocutare.

- e) **Atunci când lucrați cu scula electrică în aer liber, folosiți numai cordoane prelungitoare autorizate pentru exterior.** Întrebuițarea unui cordon prelungitor adecvat utilizării în aer liber reduce riscul de electrocutare.

- f) **Atunci când nu poate fi evitată utilizarea sculei electrice în mediu umed, folosiți un întrerupător de circuit cu împământare.** Folosirea unei întrerupător de circuit cu împământare reduce riscul de electrocutare.

3) SECURITATEA PERSOANELOR

- a) **Fiți vigilenți, fiți atenți la ceea ce**

faceți și procedați rațional atunci când lucrați cu scula electrică.

Nu folosiți mașina dacă sunteți obosiți sau vă aflați sub influența drogurilor, alcoolului sau a medicamentelor. Un moment de neatenție în timpul lucrului cu mașina poate duce la răniri grave.

- b) **Purtați echipament de protecție personală și întotdeauna ochelari de protecție.** Folosirea echipamentelor de protecție a persoanei ca mască de protecție împotriva prafului, încălțăminte antiderapantă, cască de protecție sau aparat de protecție auditivă, în funcție de tipul și domeniul de folosire al sculei electrice, reduce riscul rănilor.
- c) **Evitați o punere în funcțiune involuntară. Înainte de a introduce ștecherul în priză și/sau de a introduce acumulatorul în scula electrică, de a o ridica sau de a o transporta, asigurați vă că aceasta este oprită.** Dacă atunci când transportați scula electrică țineți degetul pe întrerupător sau dacă porniți scula electrică înainte de a o racorda la rețeaua de curent, puteți provoca accidente.
- d) **Înainte de a pune mașina în funcțiune scoateți afară cheile reglabile și fixe.** O cheie reglabilă sau fixă, aflată într-o componentă de mașină care se rotește, poate provoca răniri.
- e) **Nu vă supraapreciați. Asigurați-vă o poziție stabilă și păstrați-vă întotdeauna echilibrul.** Astfel veți putea controla mai bine mașina în situații neașteptate.
- f) **Purtați îmbrăcăminte de lucru adecvată. Nu purtați haine largi sau podoabe. Feriți părul și îmbrăcămintea de piesele aflate în mișcare.** Îmbrăcămintea largă, podoabele și părul lung pot fi prinse de piesele aflate în mișcare.
- g) **Dacă există posibilitatea montării de echipamente și instalații de aspirare și colectare a prafului, asigurați-vă că acestea sunt conectate și folosite corect.** Folosirea unei instalații de aspirare a prafului poate duce la reducerea

poluării cu praf.

- h) **Nu vă lăsați amăgiți de ușurința în operare dobândită în urma folosirii frecvente a sculelor electrice și nu ignorați principiile de siguranță ale acestora.** Neglijența poate provoca, într-o fracțiune de secundă, vătămări corporale grave
- 4) MANEVRAȚI ȘI FOLOȘIȚI CU GRIJĂ SCULELE ELECTRICE**
- a) **Nu suprasolicitați mașina. Folosiți scula electrică destinată executării lucrării dumneavoastră.** Cu scula electrică potrivită lucrați mai bine și mai sigur în domeniul de putere specificat.
- b) **Nu folosiți scula electrică dacă are întrerupătorul defect.** O sculă electrică, care nu mai poate fi pornită sau oprită este periculoasă și trebuie reparată.
- c) **Scoateți ștecherul afară din priză și/sau îndepărtați acumulatorul dacă este detașabil, înainte de a executa reglaje, a schimba accesoriul sau a depozita scula electrică.** Această măsură preventivă reduce riscul unei porniri involuntare a mașinii.
- d) **În caz de nefolosire păstrați mașinile la loc inaccesibil copiilor. Nu permiteți persoanelor care nu sunt familiarizate cu mașina sau care n-au citit prezentele instrucțiuni, să folosească mașina.** Sculele electrice sunt periculoase atunci când sunt folosite de persoane fără experiență.
- e) **Întrețineți sculele electrice și accesoriile acestora. Controlați dacă componentele mobile funcționează corect și dacă nu se blochează, dacă nu există piese defecte sau deteriorate, care să afecteze funcționarea mașinii. Înainte de a repune în funcțiune mașina, duceți-o la un atelier de asistență service pentru repararea sau înlocuirea pieselor deteriorate.** Multe accidente s-au datorat întreținerii defectuoase a sculelor electrice.
- f) **Păstrați accesoriile bine ascuțite și curate.** Accesoriile atent întreținute, cu muchii tăietoare bine ascuțite se

blochează mai greu și pot fi conduse mai ușor.

- g) **Folosiți sculele electrice, accesoriile, dispozitivele de lucru etc. conform prezentelor instrucțiuni. Țineți seama de condițiile de lucru și de lucrarea care trebuie executată.** Întrebuițarea unor scule electrice destinate altor utilizări decât cele preconizate, poate duce la situații periculoase.
- h) **Mențineți mânerul și zonele de prindere uscate, curate și feriți-le de ulei și unsoare.** Mânerul și zonele de prindere alunecoase nu permit manevrarea și controlul sigur al sculei electrice în situații neașteptate.
- 5) MANEVRAȚI ȘI FOLOȘIȚI CU GRIJĂ SCULELE ELECTRICE CU ACUMULATOR**
- a) **Folosiți pentru încărcarea acumulatorilor numai încărcătoarele recomandate de producător.** Dacă un încărcător destinat unui anumit tip de acumulator este folosit la încărcarea altor acumulatori există pericol de incendiu.
- b) **Folosiți la sculele electrice numai acumulatorii prevăzuți în acest scop.** Întrebuițarea altor acumulatori decât cei specificați poate duce la răniri și pericol de incendii.
- c) **Feriți acumulatorii nefolosiți de contactul cu agrafe de birou, monede, chei, cuie, șuruburi sau alte obiecte metalice mici, care pot produce o punte metalică între contactele acumulatorului.** Un scurtcircuit între polii de contact ai acumulatorului poate avea drept consecință arsuri sau incendii.
- d) **Ca urmare a folosirii necorespunzătoare, din acumulator se poate scurge lichid. Evitați contactul cu acesta. În caz de contact accidental, clătiți cu apă. Dacă lichidul vă intră în ochi, pe lângă măsurile amintite consultați și un medic.** Lichidul care se scurge din acumulator poate provoca iritarea pielii sau arsuri.
- e) **Nu folosiți un acumulator sau o sculă electrică cu acumulator deteriorat sau modificat.**

Acumulatorii deteriorați sau modificați pot avea un comportament imprezvizibil care să ducă la incendiu, explozie sau să genereze risc de vătămări corporale.

- f) **Nu expuneți acumulatorul sau scula electrică la foc sau temperaturi excesive.** Expunerea la foc sau temperaturi de peste 130°C poate duce la explozii.
- g) **Respectați toate instrucțiunile de încărcare și nu reîncărcați acumulatorul sau scula electrică cu acumulator la temperaturi situate în afara domeniului de temperaturi specificat în instrucțiuni.** Încărcarea incorectă sau la temperaturi situate în afara domeniului de temperaturi specificat ar putea cauza deteriorarea acumulatorului și mări riscul de incendiu.
- 6) **SERVICIU**
- a) **Permiteți repararea mașinii dumneavoastră numai de către un specialist calificat și numai cu piese de schimb originale.** În acest mod este garantată menținerea siguranței de exploatare a mașinii.
- b) **Nu întrețineți niciodată acumulatori deteriorați.** Întreținerea acumulatorilor ar trebui efectuată numai de către producător sau de către furnizori de service autorizați de acesta.

INSTRUCȚIUNI DE SIGURANȚĂ PENTRU MAȘINA DE ÎNȘURUBAT CU ACUMULATORI

GENERALITĂȚI

- **Nu prelucrați materiale care conțin azbest** (azbestul este considerat a fi cancerigen)
- **Praful rezultat din materiale precum vopseaua care conține plumb, unele specii de lemn, minerale și metale poate fi periculos** (contactul cu praful sau inhalarea acestuia poate provoca reacții alergice și/sau afecțiuni respiratorii operatorului sau persoanelor care stau în apropiere); **purtați o mască de praf și lucrați cu un dispozitiv de extragere a**

prafului când poate fi conectat

- Anumite tipuri de praf sunt clasificate ca fiind cancerigene (cum ar fi praful de stejar și fag) în special în combinație cu aditivi pentru tratarea lemnului; **purtați o mască de praf și lucrați cu un dispozitiv de extragere a prafului când poate fi conectat**
- Respectați reglementările naționale referitoare la aspirația prafului în funcție de materialele de lucru folosite
- Nu expuneți la ploaie instrumentul/încărcătorul
- Nu dezasamblați încărcătorul sau instrumentul
- Asigurați-vă că comutator E ② este în poziția din mijloc (poziția de blocaj) înainte de a executa reglaje ale sculei electrice sau de a înlocui accesoriile precum și în cazul de transport sau depozitare a sculei electrice

ÎNCĂRCAREA/BATERIILOR

- Utilizați numai încărcătorul SKIL 2610Z07379 cu acest instrument
- **Acest încărcător poate fi folosit de către copiii mai mari de 8 ani și de către persoane cu capacități fizice, senzoriale sau intelectuale limitate sau lipsite de experiență și cunoștințe, numai dacă acestea sunt supravegheate sau sunt instruite privitor la folosirea sigură a încărcătorului și**

Înțeleg pericolele pe care aceasta le implică (în caz contrar există pericol de manevrare greșită și răniri)

- **Supravegheați copiii** (astfel veți fi siguri că aceștia nu se joacă cu încărcătorul)
- **Copiii nu au voie să curețe și să întrețină încărcătorul fără a fi supravegheați**
- Nu folosiți încărcătorul dacă acesta deteriorat
- Temperatură ambientă admisă (instrument/încărcător/acumulator):
 - în timpul încărcării 4...40°C
 - în timpul funcționării -20...+50°C
 - în timpul depozitării -20...+50°C

ACCESORII

- SKIL garantează funcționarea perfectă a aparatului numai dacă sunt folosite accesoriile originale

ÎNAINTEA UTILIZĂRII

- Verificați întotdeauna dacă tensiunea de alimentare este aceeași cu tensiunea indicată pe plăcuța de identificare a încărcătorului
- Evitați daunele provocate de șuruburi, ținte și alte elemente din timpul lucrului; înlăturați aceste elemente înainte de a trece la acțiune
- **Securizați piesa de lucru** (o piesă de lucru fixată cu clame sau într-o menghină este ținută mult mai în siguranță decât manual)
- **Folosiți detectoare adecvate pentru depistarea conductelor și conductorilor de alimentare**

sau apelați în acest scop la întreprinderea locală de furnizare a utilităților (contactul cu conductorii electrici poate provoca incendii sau electrocutare; deteriorarea unei conducte de gaz poate duce la explozii; spargerea unei conducte de apă provoacă pagube materiale sau poate provoca electrocutare)

ÎN TIMPUL FUNCȚIONĂRII

- **Apucați scula electrică de suprafețele de prindere izolate atunci când executați operații în cursul cărora accesoriul sau șurubul poate atinge fire electrice ascunse** (contactul un cablu aflat sub tensiune poate pune sub tensiune și componentele metalice ale sculei electrice și duce la electrocutare)
- În cazul unor defecțiuni electrice sau mecanice, imediat deconectați instrumentul sau scoateți încărcătorul de la sursa de energie

EXPLICAȚIA SIMBOLURILOR DE PE INSTRUMENT/ÎNCĂRCĂTOR

- ③ Citiți manual de instrucțiuni înainte de utilizare
- ④ Folosiți încărcătorul numai în interior
- ⑤ Izolație dublă (nu este necesar fir de împământare)
- ⑥ Polaritatea incorectă a conexiunii încărcătorului poate provoca un pericol (încărcați bateria numai cu încărcătorul furnizat)
- ⑦ Nu aruncați sculele electrice și bateriile direct la pubelele de gunoi

UTILIZAREA

- Încărcarea bateriei ⑧
! un bateria nou sau care nu a fost utilizat un timp mai îndelungat atinge capacitatea maximă numai după aproximativ 5 cicluri de încărcare/descărcare
 - conectați încărcătorul A la ambele capete, în perete și în contactul aparatului B
 - indicatorul C se va aprinde în culoarea VERDE, indicând faptul că acumulatorul este în curs de încărcare
 - când acumulatorul este complet încărcat, se stinge indicatorul C (după aproximativ o 3 ore)

- bateria cu ioni de litiu poate fi încărcată în orice moment (întreruperea procedurii de încărcare nu va cauza deteriorarea bateriei)
- nu este obligatoriu ca bateria cu ioni de litiu să fie descărcată înainte de încărcare (nu există "efectul de memorare" de la bateriile cu nichel-cadmium)
- scula nu poate fi folosită pe durata procesului de încărcare; nu înseamnă că este defectă dacă nu funcționează în timpul procesului de încărcare
- dacă nu veți utiliza instrumentul o perioadă mai îndelungată se recomandă să deconectați încărcătorul de la sursa de energie
- Pornit/oprit ⑨
- Schimbarea direcției de rotație ⑩
 - dacă pârghia nu se așa în poziția corectă stânga/dreapta, întrerupător D ② nu va putea fi acționat

! schimbați direcția de rotație abia atunci când aparatul este complet oprit
- Înlocuirea biți ⑪
 - introduceți bitul până la capăt în suportul de biți G

! nu folosiți biți cu coadă deteriorată
- Blocare automată a axului
Vă permite strângerea sau deșurubarea manuală a șuruburilor atunci când este necesar ⑫
- Lampă LED ⑬
Lampa LED H se aprinde automat la activarea comutatorului D, chiar dacă acesta E se află în poziția de mijloc (blocare)
- Locaș de biți J ②
Oferă spațiu de înmagazinare pentru 2 biți în față
- Indicator nivel încărcare acumulator
Dacă indicatorul C ② luminează ROȘU când întrerupătorul D ② este pe jumătate apăsat, înseamnă că acumulatorul dispune de mai puțin de 30% din capacitate și ar trebui încărcat
- Două poziții ale mânerului ⑭
- Protecția bateriei
Oprește automat aparatul atunci când temperatura bateriei crește prea mult

(> +65°C)

bateria cu ioni de litiu este aproape descărcată (pentru protecție împotriva descărcării complete)

SFATURI PENTRU UTILIZARE

- Folosiți biți juste ⑮
 - ! nu folosiți biți deteriorate**
 - ! folosiți numai biți cu prindere hexagonă**
- Atunci când doriți să suciți un șurub la marginea, colțul, capătul lemnului, se recomandă să faceți o gaură cu instrumentul de găurit pentru a evita crăparea lemnului
- Pentru o utilizare optimală a instrumentului este necesară exercitarea unei presiuni constante asupra șurubului, în special la schimbare
- În cazul înșurubării într-un lemn tare se recomandă efectuarea în prealabil a unei găuri
- Pentru mai multe informații, consultați www.skil.com

ÎNȚREȚINERE / SERVICE

- Această sculă nu este destinată utilizării profesionale
- Păstrați instrumentul și încărcătorul curat
 - ! deconectați încărcătorul de la sursa de energie înainte de curățire**
- Dacă în ciuda procedurilor de fabricație și control riguroase scula/ încărcătorul are totuși o pană, repararea acesteia se va face numai la un atelier de asistență service autorizat pentru scule electrice SKIL
 - trimiteți scula sau încărcătorul **în totalitatea lui** cu bonul de cumpărare la distribuitorul sau la centrul de service SKIL cel mai apropiat (adrese și diagrame de service se găsească la www.skil.com)
- Trebuie să fiți conștienți de faptul că deteriorarea datorată suprasarcinii sau utilizării incorecte a sculei vor fi excluse din garanție (pentru condițiile de garanție SKIL consultați www.skil.com sau întrebați distribuitorul)

MEDIUL

- **Nu aruncați sculele electrice, accesoriile sau ambalajele direct la pubelele de gunoi** (numai pentru țările din Comunitatea Europeană)
 - Directiva Europeană 2012/19/EC face referire la modul de aruncare a echipamentelor electrice și electronice și modul de aplicare a normelor în conformitate cu legislația națională; sculele electrice în momentul în care au atins un grad avansat de uzură și trebuie scurte aruncate, ele trebuie colectate separat și reciclate într-un mod ce respectă normele de protecție a mediului înconjurător
 - simbolul ⑦ vă va reaminti acest lucru
- ! **scoateți bateriile înainte de eliminarea scula la un punct de colectare**
- Scoaterea/eliminarea bateriilor ⑩
 - ! **scoateți bateriile numai dacă sunt complet descărcate**
 - protejați bornele bateriilor cu bandă solidă pentru a preveni electrocutarea
 - eliminați bateriile la un punct de colectare oficial pentru baterii
- ! **bateriile vor exploda când sunt aruncate în foc, deci nu ardeți bateriile sub niciun motiv**

ZGOMOT / VIBRAȚII

- Măsurat în conformitate cu EN 60745 nivelul de presiune a sunetului generat de acest instrument este de <70 dB(A) (abaterea standard: 3 dB) iar nivelul vibrațiilor <2,5 m/s² (suma vectorială a trei direcții; incertitudine K = 1,5 m/s²)
- Nivelul emisiilor de vibrații a fost măsurat în conformitate cu un test standardizat precizat în EN 60745; poate fi folosit pentru a compara o sculă cu alta și ca evaluare preliminară a expunerii la vibrații atunci când folosiți scula pentru aplicațiile menționate
 - utilizarea sculei pentru aplicații diferite sau cu accesorii diferite și prost întreținute poate **crește**

- semnificativ nivelul de expunere
- momentele în care scula este oprită sau când funcționează dar nu execută nicio lucrare, pot **reduce** semnificativ nivelul de expunere
- ! **protejați-vă împotriva efectelor vibrațiilor prin întreținerea sculei și a accesoriilor sale, păstrând mâinile calde și organizând procesele de lucru**

BG

Акумулаторен
винтоверт

2710

УВОД

- Този инструмент с ляво/дясно въртене е предназначен за завинтване и предварително пробиване в дърво
- Този инструмент не е предназначен за професионална употреба
- Прочетете и пазете това ръководство за работа ③

ТЕХНИЧЕСКИ ДАННИ ①

Макс. въртящ момент при твърди винтови съединения по ISO 5393 : 7Nm

ЕЛЕМЕНТИ НА ИНСТРУМЕНТА

②

- A Зарядно устройство
- B Отвор за зарядно устройство
- C Индикатор за капацитета на батерията
- D Прекъсвач за включване/ изключване
- E Превключвател за обръщане на посоката на въртене
- F Копче за отключване на оста
- G Магнитен държач за бита
- H Светодиодна светлина
- J Място за бургии

БЕЗОПАСНОСТ

ОБЩИ УКАЗАНИЯ ЗА БЕЗОПАСНА РАБОТА С ЕЛЕКТРОИНСТРУМЕНТИ

 **ПРЕДУПРЕЖДЕНИЕ** Прочете

всички предупреждения за безопасност, инструкции, илюстрации и спецификации, доставени с този електроинструмент. Неспазването на всички описани по-долу инструкции може да доведе до токов удар, пожар и/или тежко нараняване.

Запазете всички предупреждения и указания за ползване в бъдеще.

Използваният по-долу термин "електроинструмент" се отнася до захранвани от електрическата мрежа електроинструменти (със захранващ кабел) и до захранвани от акумулаторна батерия електроинструменти (без захранващ кабел).

1) БЕЗОПАСНОСТ НА РАБОТНОТО МЯСТО

- a) **Поддържайте работното си място чисто и подредено.**
Безпорядъкът или недостатъчното осветление могат да спомогнат за възникването на трудова злополука.
- b) **Не работете с електроинструмента в среда с повишена опасност от възникване на експлозия, в близост до леснозапалими течности, газове или прахообразни материали.**
По време на работа в електроинструментите се отделят искри, които могат да възпламенят прахообразни материали или пари.
- c) **Дръжте деца и странични лица на безопасно разстояние, докато работите с електроинструмента.**
Ако вниманието Ви бъде отклонено, може да загубите контрола над електроинструмента.

2) БЕЗОПАСНОСТ ПРИ РАБОТА С ЕЛЕКТРИЧЕСКИ ТОН

- a) **Щепселът на електроинструмента трябва да е подходящ за ползвания контакт. В никакъв случай не се допуска изменение на конструкцията на щепсела.**

Когато работите със занулени електроуреди, не използвайте адаптери за щепсела. Ползването на оригинални щепсели и контакти намалява риска от възникване на токов удар.

- b) **Избягвайте допира на тялото Ви до заземени тела, напр. тръби, отоплителни уреди, пещи и хладилници.** Когато тялото Ви е заземено, рискът от възникване на токов удар е по-голям.
 - c) **Предпазвайте електроинструмента си от дъжд и влага.** Проникването на вода в електроинструмента повишава опасността от токов удар.
 - d) **Не използвайте захранващия кабел за цели, за които той не е предвиден, напр. за да носите електроинструмента за кабела или да извадите щепсела от контакта.** Предпазвайте кабела от нагряване, омасляване, допир до остри ръбове или до подвижни звена на машини. Повредени или усукани кабели увеличават риска от възникване на токов удар.
 - e) **Когато работите с електроинструмент навън, използвайте само удължителни кабели, предназначени за работа на открито.** Използването на удължител, предназначен за работа на открито, намалява риска от възникване на токов удар.
 - f) **Ако се налага използването на електроинструмента във влажна среда, използвайте предпазен прекъсвач за утечни токове.** Използването на предпазен прекъсвач за утечни токове намалява опасността от възникване на токов удар.
- ### 3) БЕЗОПАСЕН НАЧИН НА РАБОТА
- a) **Бъдете концентрирани, следете внимателно действията си и постъпвайте предпазливо и разумно. Не използвайте електроинструмента, когато сте уморени или под влиянието на наркотични вещества, алкохол или упойващи лекарства. Един миг разсеяност при работа с**

електроинструмент може да има за последствие изключително тежки наранявания.

- b) **Работете с предпазващо работно облекло и винаги с предпазни очила.** Носенето на подходящи за ползвания електроинструмент и извършваната дейност лични предпазни средства, като дихателна маска, здрави плътнотворени обувки със стабилен грайфер, защитна каска или шумозаглушители (антифони), намалява риска от възникване на трудова злополука.
- c) **Избягвайте опасността от включване на електроинструмента по невнимание. Преди да включите щепсела в захранващата мрежа или да поставите акумулаторната батерия, се уверявайте, че пусковият прекъсвач е в положение изключено.** Ако, когато носите електроинструмента, държите пръста си върху пусковия прекъсвач, или ако подавате захранващо напрежение на електроинструмента, когато е включен, съществува опасност от възникване на трудова злополука.
- d) **Преди да включите електроинструмента, се уверявайте, че сте отстранили от него всички помощни инструменти и гаечни ключове.** Помощен инструмент, забравен на въртящо се звено, може да причини травми.
- e) **Не надценявайте възможностите си. Работете в стабилно положение на тялото и във всеки момент поддържайте равновесие.** Така ще можете да контролирате електроинструмента по-добре и по-безопасно, ако възникне неочаквана ситуация.
- f) **Работете с подходящо облекло. Не работете с широки дрехи или украшения. Дръжте косата и дрехите си на безопасно разстояние от движещи се звена.** Широките дрехи, украшенията, дългите коси могат

да бъдат захванати и увлечени от въртящи се звена.

- g) **Ако е възможно използването на външна аспирационна система, се уверявайте, че тя е включена и функционира изправно.** Използването на аспирационна система намалява рисковете, дължащи се на отделящата се при работа прах.
- h) **Доброто познаване на електроинструмента вследствие на честа работа с него не е повод за намаляване на вниманието и пренебрегване на мерките за безопасност.** Едно невнимателно действие може да предизвика тежки наранявания само за части от секундата.
- 4) **ВНИМАТЕЛНО ОТНОШЕНИЕ КЪМ ЕЛЕКТРОИНСТРУМЕНТИ**
- a) **Не претоварвайте електроинструмента. Използвайте електроинструментите само съобразно тяхното предназначение.** Ще работите по-добре и по-безопасно, когато използвате подходящия електроинструмент в зададения от производителя диапазон на натоварване.
- b) **Не използвайте електроинструмент, чиито пусков прекъсвач е повреден.** Електроинструмент, който не може да бъде изключван и включван по предвидения от производителя начин, е опасен и трябва да бъде ремонтиран.
- c) **Преди да извършвате каквито и да е дейности по електроинструмента, напр. настройване, смяна на работен инструмент, както и когато го прибирате, изключвайте щепсела от контакта, респ. изваждайте батерията, ако е възможно.** Тази мярка премахва опасността от задействане на електроинструмента по невнимание.
- d) **Съхранявайте електроинструментите на места, където не могат да**

- бъдат достигнати от деца. Не допускате те да бъдат използвани от лица, които не са запознати с начина на работа с тях и не са прочели тези инструкции. Когато са в ръцете на неопитни потребители, електроинструментите могат да бъдат изключително опасни.
- е) **Поддържайте добре електроинструментите си и аксесоарите им. Проверявайте дали подвижните звена функционират безукорно, дали не заклинват, дали има счупени или повредени детайли, които нарушават или изменят функциите на електроинструмента. Преди да използвате електроинструмента, се погрижете повредените детайли да бъдат ремонтирани.** Много от трудовите злополуки се дължат на недобре поддържани електроинструменти и уреди.
- ф) **Поддържайте режещите инструменти винаги добре заточени и чисти.** Добре поддържаните режещи инструменти с остри ръбове оказват по-малко съпротивление и се водят по-леко.
- г) **Използвайте електроинструментите, допълнителните приспособления, работните инструменти и т.н., съобразно инструкциите на производителя. С дейности и процедури, евентуално предписани от различни нормативни документи.** Използването на електроинструменти за различни приложения повишава опасността от възникване на трудови злополуки.
- h) **Поддържайте дръжките и ръкохватките сухи, чисти и неомаслени.** Хлъзгавите дръжки и ръкохватки не позволяват безопасната работа и доброто контролиране на електроинструмента при възникване на неочаквана ситуация.
- 5) **ВНИМАТЕЛНО ОТНОШЕНИЕ КЪМ АКУМУЛАТОРНИ ЕЛЕКТРОИНСТРУМЕНТИ**
- a) **За зареждането на акумулаторните батерии използвайте само зарядните устройства, препоръчвани от производителя.** Когато използвате зарядни устройства за зареждане на неподходящи акумулаторни батерии, съществува опасност от възникване на пожар.
- b) **За хранене на електроинструментите използвайте само предвидените за съответния модел акумулаторни батерии.** Използването на различни акумулаторни батерии може да предизвика трудова злополука и/или пожар.
- c) **Предпазвайте неизползваните акумулаторни батерии от контакт с големи или малки метални предмети, напр. кламери, монети, ключове, пирони, винтове и др.п., тъй като те могат да предизвикат късо съединение.** Последствията от късото съединение могат да бъдат изгаряния или пожар.
- d) **При неправилно използване от акумулаторна батерия от нея може да изтече електролит. Избягвайте контакта с него. Ако въпреки това на кожата Ви попадне електролит, изплакнете мястото обилно с вода. Ако електролит попадне в очите Ви, незабавно се обърнете за помощ към очен лекар.** Електролитът може да предизвика изгаряния на кожата.
- e) **Не използвайте акумулаторна батерия или електроинструмент, които са повредени или с изменена конструкция.** Повредени или изменени акумулаторни батерии могат да се възпламенят, експлодират или да предизвикат наранявания.
- f) **Не излагайте акумулаторната батерия на високи температури или огън.** Излагането на огън или

температури над 130°C могат да предизвикат експлозии.

- g) **Спазвайте всички указания за зареждане на акумулаторната батерия; не я зареждайте, ако температурата ѝ е извън диапазона, посочен в инструкциите.** Неправилното зареждане или зареждането при температури извън допустимия диапазон могат да увредят батерията и увеличават опасността от пожар.
- 6) **ПОДДЪРЖАНЕ**
- a) **Допускайте ремонтът на електроинструментите Ви да се извършва само от квалифицирани специалисти и само с използването на оригинални резервни части.** По този начин се гарантира съхраняване на безопасността на електроинструмента.
- b) **Никога не ремонтирайте повредени акумулаторни батерии.** Ремонтът на акумулаторни батерии трябва да се извършва само от производителя или от оторизиран сервиз.

УКАЗАНИЯ ЗА БЕЗОПАСНА РАБОТА ЗА АКУМУЛАТОРЕН ВИНТОВЕРТ

ОБЩИ

- **Не обработвайте азбестосъдържащ материал** (азбестът е канцерогенен)
- Прахът от някои материали, като например съдържаща олово боя, някои видове дървесина, минерали и метали може да бъде вреден (контакт или вдишване на такъв прах могат да причинят алергични реакции и/или респираторни заболявания на оператора или стоящите наблизо лица); **използвайте противопрахова масна и работете с аспириращо прахта устройство, когато такова може да бъде свързано**
- Определени видове прах са класифицирани като карциногенни

(като прах от дъб и бук) особено когато са комбинирани с добавки за подобряване на състоянието на дървесината; **използвайте противопрахова масна и работете с аспириращо прахта устройство, когато такова може да бъде свързано**

- Следвайте дефинираните по БДС изисквания относно запрашеността за материалите, които желаете да обработвате
- Не излагайте на дъжд електроинструмента/зарядното устройство
- Не разглобявайте зарядното устройство или инструмент
- Убедете се че ключа E ② е в средно (блокирано) положение, преди да направите каквито и да релгалажи или смени на консумативите или когато транспортирате или прибирате инструмента

ЗАРЕЖДАНЕ/БАТЕРИИ

- С този инструмент използвайте само зарядното устройство на SKIL 2610Z07379
- **Това зарядно устройство може да се използва от деца от 8-годишна възраст и лица с ограничени физически, сензорни или душевни възможности или без достатъчно опит, ако са под непосредствен надзор от лица, отговорни за**

безопасността им, или ако са били обучени за сигурна работа със зарядното устройство и разбират свързаните с това опасности (в противен случай съществува опасност от неправилно ползване и трудови злополуки)

- **Децата трябва да са под постоянен надзор (така предотвратявате опасността децата да играят със зарядното устройство)**
- **Не се допуска почистването и техническото обслужване на зарядното устройство да се извършва от деца, които не са под пряк надзор**

- Не използвайте повредено зарядно устройство
- Допустима околна температура (инструмент/зарядното устройство/батерия):
 - при зареждане 4...40°C
 - по време на работа -20...+50°C
 - при съхраняване -20...+50°C

АКСЕСОАРИ

- SKIL може да осигури безаварийна работа на електроинструмента само ако се използват оригинални допълнителни приспособления

ПРЕДИ УПОТРЕБА

- Преди включване на зарядното устройство в контакта се уверете, че мрежовото напрежение отговаря на напрежението, обозначено на фирмената табелка на зарядното устройство
- Избягвайте повреди, които могат да бъдат причинени от винтове, гвоздеи и други метални елементи в обработвания детайл; отстранете ги преди да започнете работа
- **Обезопасете работния материал** (материал, затегнат в затягащ инструмент или в менгеме е по-устойчив, отколкото ако се държи в ръка)
- **За да откриете скрити под повърхността електро-, водо- и газопроводи, използвайте подходящи уреди или се обърнете към местното снабдително дружество** (прекъсването на електропроводници под напрежение може да предизвика пожар и/или токов удар; увреждането на газопровод може да предизвика експлозия; засягането на водопровод може да предизвика значителни материални щети и/или токов удар)

ПРИ УПОТРЕБА

- **Когато изпълнявате дейности, при които работният инструмент или винта може да попадне на скрити под повърхността проводници под напрежение, внимавайте да допирате електроинструмента само до изолираните ръкохватки (при контакт с проводник под**

напрежение то се предава на металните детайли на електроинструмента и това може да предизвика токов удар)

- При електрическа или механична повреда незабавно спрете електроинструмента или изключете зарядното устройство от захранващата мрежа

ОБЯСНЕНИЕ НА СИМВОЛИТЕ ПО ИНСТРУМЕНТА/ЗАРЯДНОТО УСТРОЙСТВО

- ③ Преди употреба прочетете ръководството с указания
- ④ Използвайте зарядното устройство само на закрито
- ⑤ Двойна изолация (не се изисква кабел за заземяване)
- ⑥ Неправилно свързване на полюсите на зарядното устройство може да доведе до злополука (зареждайте акумулатора само с предоставеното зарядно устройство)
- ⑦ Не изхвърляйте електроуредите и батерии заедно с битови отпадъци

УПОТРЕБА

- Зареждане на акумулатора ⑧
! нова или продължително време неизползвана батерията достига пълния си капацитет едва след приблизително 5 цикъла на зареждане/разреждане
 - включете зарядното устройство А в отвора и контакта на стената В
 - индикаторът С ще светне в **ЗЕЛЕНО**, като по този начин ще покаже, че батерията се зарежда
 - когато батерията е изцяло заредена, индикаторът С се изключва (след около 3 часа)
 - литиево-йонният акумулатор може да се зарежда по всяко време (прекъсването на процеса на зареждане не поврежда акумулатора)
 - литиево-йонната батерия не е необходимо да бъде изтощена преди зареждане (няма "ефект на памет" като при никелово-кадмиевите батерии)
 - по време на зареждане инструментът не може да бъде

използван; ако той не работи по време на зареждане, това не е признак за дефект

- ако предполагате, че електроинструментът няма да бъде използван продължително време, е най-добре да изключите зарядното устройство от захранващата мрежа

- Включване/изключване ⑨
- Обръщане на посоката на въртене ⑩

- ако лостът не е точно в положение включване/изключване, спусъкът D ② не може да бъде активиран

! обръщайте посоката на въртене само когато електроинструментът е напълно спрял

- Смяна на бит ⑪
 - поставете бита до края в държача G

! не използвайте бит с повредена опашка

- Автоматично блокиране на вала
- Развиване на гайката на ръка при необходимост ⑫
- Светодиодна светлина ⑬
- Светодиодната лампа H автоматично светва при активиране на превключвателя D, дори когато превключвателят E е в средната (заклучваща) позиция
- Място за бита J ⑭
- Предлага място за 2 бита отпред
- Индикатор за капацитета на батерията
- Ако при полунатиснат прекъсвач D ② индикаторът C ② светне с **ЧЕРВЕНА** светлина, батерията има по-малко от 30% от капацитета си и трябва да бъде заредена
- Две позиции на дръжката ⑬
- Защита на батерията
- Автоматично изключва уреда, когато температурата на батерията е прекалено голяма (> +65°C)
- литиево-йонната батерия е почти изтощена (за защита срещу дълбок разряд)

УКАЗАНИЯ ЗА РАБОТА

- Използвайте подходящи бит ¹⁵
**! не използвайте повредени бит
! използвайте само бит с
опашка шестостен**
- При завиване на винт в близост до ръба на дървен детайл първо пробийте отвор, за да избегнете откътрване на дървото
- За оптимална работа на електроинструмента е необходим постоянен натиск върху винта, включително при развиване
- При завиване на винтове в твърдо дърво първо пробийте отвор
- За повече информация вижте www.skil.com

ПОДДРЪЖКА / СЕРВИЗ

- Този инструмент не е предназначен за професионална употреба
- Поддържайте електроинструмента и зарядното устройство чисти
! преди почистване изключете зарядното устройство от захранващата мрежа
- Ако въпреки прецизното производство и внимателно изпитване възникне повреда, инструмента/зарядното устройство да се занесе за ремонт в оторизиран сервиз за електроинструменти на SKIL
 - занесете инструмента или зарядното устройство в **неразглобен вид** заедно с доказателство за покупката му в търговския обект, откъдето сте го закупили, или в най-близкия сервиз на SKIL (адресите, както и схемата за сервизно обслужване на електроинструмента, можете да намерите на адрес www.skil.com)
- Имайте предвид, че повреда поради претоварване или неправилно манипулиране с инструмента ще бъдат изключени от гаранцията (за условията на гаранцията от SKIL виж на интернет адрес: www.skil.com или попитайте вашия дилър)

ОПАЗВАНЕ НА ОКОЛНАТА СРЕДА

- **Не изхвърляйте електроуредите, приспособленията и опаковките заедно с битови отпадъци** (само за страни от ЕС)
 - съобразно Директивата на ЕС 2012/19/EG относно износени електрически и електронни уреди и отразяването ѝ в националното законодателство износените електроуреди следва да се събират отделно и да се предават за рециклиране според изискванията за опазване на околната среда
 - за това указва символът ⁷ тогава когато трябва да бъдат унищожени**! махнете батериите, преди да изхвърлите инструмента**
- Изваждане / изхвърляне на батериите ¹⁶
! изваждайте батериите само ако са напълно изпразнени
 - залепете терминалите на батерията с лепенка, за да не се получи късо съединение
 - изхвърлете батериите на официалното място за събиране на батерии**! хвърлен в огън, акумулаторът ще експлодира, така че не изгаряйте акумулатора по каквато и да е причина**

ШУМ / ВИБРАЦИИ

- Измерено в съответствие с EN 60745 нивото на звуково налягане на този инструмент е <70 dB(A) (стандартно отклонение: 3 dB) а вибрациите са <2,5 м/с² (векторната сума по трите направления; неопределеност K = 1,5 м/с²)
- Нивото на предадените вибрации е измерено в съответствие със стандартизирания тест, определен в EN 60745; то може да се използва за сравнение на един инструмент с друг и като предварителна оценка

на подлагането на вибрации при използването на инструмента за посочените приложения

- използването на инструмента за различни от тези приложения или с други, или лошо поддържани аксесоари може значително **да повиши** нивото на което сте подложени
- периодите от време, когато инструмента е изключен или съответно включен, но с него не се работи в момента могат значително **да намалят** нивото на което сте подложени

! предпазвайте се от ефектите от вибрациите, като поддържате инструмента и аксесоарите му, пазите ръцете си топли и организирате вашите модели на работа

SK

Akumulátorový skrutkovač 2710

ÚVOD

- Tento nástroj s pravo/ľavobežným chodom je určený na skrutkovanie a vrtanie do dreva
- Tento nástroj nie je vhodný pre profesionálne použitie
- Prečítajte a uschovajte tento návod na použitie ③

TECHNICKÉ ÚDAJE ①

Max. krútiaci moment tvrdé ukončenie skrutkovania podľa ISO 5393 : 7Nm

ČASTI NÁSTROJA ②

- A Nabíjačka
- B Konektor pre pripojenie nabíjačky
- C Indikátor nabitia akumulátora
- D Vypínač zapnutie/vypnutie
- E Prepínač na zmenu smeru otáčania
- F Koliesko odistenia otočného bodu
- G Magnetický držiak hrotu
- H LED-Kontrolka
- J Uskladnenie hrotu

BEZPEČNOST'

VŠEOBECNÉ BEZPEČNOSTNÉ UPOZORNENIA TÝKAJÚCE SA ELEKTRICKÉHO NÁRADIA

! VÝSTRAHA Prečítajte si všetky bezpečnostné výstrahy, pokyny, ilustrácie a technické údaje, ktoré sú dodané s týmto elektrickým nástrojom. Nedodržanie všetkých nižšie uvedených pokynov môže viesť k poraneniu elektrickým prúdom, požiaru a/alebo vážnemu poraneniu.

Všetky upozornenia a pokyny si odložte na ďalšie použitie.

Pojem „elektrické náradie“ používaný v nasledujúcom texte sa vzťahuje na ručné elektrické náradie napájané zo siete (s prírodnou šnúrou) a na ručné elektrické náradie napájané akumulátorovou batériou (bez prírodnej šnúry).

1) BEZPEČNOST' NA PRACOVISKU

- Udržiavajte svoje pracovisko čisté a upratané.** Neporiadok na pracovisku alebo neosvetlené časti pracoviska môžu viesť k úrazom.
- Nepracujte elektrickým náradím v prostredí ohrozenom výbuchom, v ktorom sa nachádzajú horľavé kvapaliny, plyny alebo prach.** Elektrické náradie produkuje iskry, ktoré môžu prach alebo pary zapáliť.
- Deti a iné osoby udržiavajte počas práce od ručného elektrického náradia v dostatočnej vzdialenosti.** V prípade odpútania Vašej pozornosti by ste mohli stratiť kontrolu nad náradím.

2) ELEKTRICKÁ BEZPEČNOST'

- Zástrčka prírodnej šnúry sa musí hodiť do napájacej zásuvky. Zástrčka sa v žiadnom prípade nesmie meniť. Pri uzemnených spotrebičoch nepoužívajte spolu s nimi žiadne adaptéry.** Nezmenená zástrčka a vhodná zásuvka znižujú riziko zásahu elektrickým prúdom.
- Vyhýbajte sa telesnému kontaktu s povrchovými plochami uzemnených spotrebičov, ako**

sú elektrické rúry, vyhrievacie telesá, sporáky a chladničky. Keď je Vaše telo uzemnené, riziko zásahu elektrickým prúdom je vyššie.

- c) **Chráňte ručné elektrické náradie pred dažďom a vlhkom.** Vniknutie vody do ručného elektrického náradia zvyšuje riziko zásahu elektrickým prúdom.
 - d) **Nepoužívajte prírodnú šnúru na prenášanie náradia, na jeho vešanie, ani za ňu nevyťahujte zástrčku zo zásuvky. Prírodnú šnúru chráňte pred horúčavou, olejom, ostrými hranami alebo pohybujúcimi sa časťami náradia.** Poškodené alebo zauzlené šnúry zvyšujú riziko zásahu elektrickým prúdom.
 - e) **Ak pracujete s ručným elektrickým náradím vonku, používajte len také predĺžovacie šnúry, ktoré sú schválené pre používanie vo vonkajších priestoroch.** Používanie predĺžovacej šnúry určenej do vonkajšieho prostredia znižuje riziko zásahu elektrickým prúdom.
 - f) **Ak sa nedá vyhnúť použitiu ručného elektrického náradia vo vlhkom prostredí, použite prerušovač uzemňovacieho obvodu.** Používanie prerušovača uzemňovacieho obvodu znižuje riziko zásahu elektrickým prúdom.
- 3) BEZPEČNOSŤ OSÔB**
- a) **Buďte pozorní, dávajte pozor na to, čo robíte a k práci s elektrickým náradím pristupujte rozumne. Nepoužívajte elektrické náradie, keď ste unavení alebo keď ste pod vplyvom drog, alkoholu alebo liekov.** Chvil' a nepozornosti pri používaní náradia môže viesť k vážnym poraneniam.
 - b) **Noste osobné ochranné pomôcky, ochranný odev a vždy majte nasadené ochranné okuliare.** Nosenie pracovného odevu a používanie ochranných pomôcok ako ochrannej dýchacej masky, bezpečnostných protišmykových topánok, prilby alebo chrániča sluchu, podľa druhu elektrického náradia, znižuje riziko poranenia.
 - c) **Vyhýbajte sa neúmyselnému**

- uviedení ručného elektrického náradia do činnosti. Pred zasunutím zástrčky do zásuvky a/alebo pred pripojením akumulátora, pred chytením alebo prenášaním ručného elektrického náradia sa vždy presvedčte sa, či je ručné elektrické náradie vypnuté.** Ak budete mať pri prenášaní ručného elektrického náradia prst na vypínači, alebo ak ručné elektrické náradie pripojíte na elektrickú sieť zapnutú, môže to mať za následok nehodu.
- d) **Skôr ako ručné elektrické náradie zapnete, odstráňte nastavovacie a montážne nástroje.** Nástroj alebo kľúč, ktorý sa nachádza v pohyblivej časti náradia, môže spôsobiť poranenie.
 - e) **Nepreceňujte sa. Zabezpečte si pevný postoj a neprestajne udržiavajte rovnováhu.** Takto budete môcť ručné elektrické náradie v neočakávaných situáciách lepšie kontrolovať.
 - f) **Pri práci noste vhodný pracovný odev. Nenoste široké odevy a nemajte na sebe šperky. Vyvarujte sa toho, aby sa vaše vlasy a odev dostali do blízkosti pohyblivých častí.** Voľný odev, dlhé vlasy alebo šperky môžu byť zachytené rotujúcimi časťami ručného elektrického náradia.
 - g) **Ak možno namontovať zariadenie na odsávanie alebo zachytávanie prachu, presvedčte sa, či je pripojené a správne používané.** Používanie odsávacieho zariadenia a zariadenia na zachytávanie prachu znižuje riziko ohrozenia zdravia prachom.
 - h) **Nepodliehajte falošnému pocitu istoty získanej z častého používania náradia a nekonajte v rozpore s princípmi bezpečného používania náradia.** Nepozorná práca môže v priebehu zlomkov sekundy viesť k ťažkému poraneniu.
- 4) STAROSTLIVÉ ZAOBCHÁDZANIE S ELEKTRICKÝM NÁRADÍM A JEHO POUŽÍVANIE**
- a) **Náradie nepreťažujte. Pre svoju prácu používajte určené elektrické náradie.** Pomocou vhodného ručného

elektrického náradia budete môcť v uvedenom rozsahu výkonu pracovať lepšie a bezpečnejšie.

- b) **Nepoužívajte žiadne ručné elektrické náradie, ktoré má pokazený vypínač.** Ručné elektrické náradie, ktoré sa už nedá zapínať alebo vypínať, je nebezpečné a treba ho dať opraviť.
- c) **Skôr ako začnete náradie nastavovať alebo prestavovať, vymieňať príslušenstvo alebo ako odložíte náradie, vždy vytiahnite koncovku sieťovej šnúry zo zásuvky a/alebo vyberte akumulátor, ak sa dá vybrať.** Toto preventívne opatrenie zabraňuje neúmyselnému spusteniu ručného elektrického náradia.
- d) **Nepoužívané ručné elektrické náradie uschovávajte mimo dosahu detí. Nedopusťte, aby ručné elektrické náradie používali osoby, ktoré s ním nie sú dôkladne oboznámené, alebo ktoré si neprečítali tento Návod na používanie.** Ak ručné elektrické náradie používajú neskúsené osoby, stáva sa nebezpečným nástrojom.
- e) **Ručné elektrické náradie a príslušenstvo starostlivo ošetrujte. Skontrolujte, či pohyblivé súčiastky náradia bezchybne fungujú a neblokujú a či nie sú zlomené alebo poškodené niektoré súčiastky, ktoré by mohli negatívne ovplyvniť fungovanie ručného elektrického náradia. Pred použitím ručného elektrického náradia dajte poškodené súčiastky opraviť.** Nejedyn úraz bol spôsobený zle udržiavaným náradím.
- f) **Používané nástroje udržiavajte ostré a čisté.** Starostlivo ošetrované nástroje s ostrými reznými hranami sa menej často zablokujú a ich vedenie je podstatne ľahšie.
- g) **Používajte ručné elektrické náradie, príslušenstvo, pracovné nástroje a pod. podľa týchto pokynov. Zohľadnite pritom konkrétne pracovné podmienky a činnosť, ktorú máte vykonať.** Používanie ručného elektrického náradia na iné ako určené účely môže

viest k nebezpečným situáciám.

- h) **Rukoväti a úchopové povrchy udrzte suché, čisté a bez oleja alebo mazacieho tuku.** Šmykľavé rukoväti a úchopové povrchy neumožňujú bezpečnú manipuláciu a ovládanie náradia v neočakávaných situáciách.
- 5) STAROSTLIVÉ ZAOBCHÁDZANIE S ELEKTRICKÝM NÁRADÍM NAPÁJANÝM AKUMULÁTOROM A JEHO POUŽÍVANIE**
- a) **Akumulátory nabíjajte len v takých nabíjačkách, ktoré odporúča výrobca.** Ak nabíjate nabíjačkou určenou pre určitý druh akumulátorov iné akumulátory, hrozí nebezpečenstvo požiaru.
 - b) **Do ručného elektrického náradia používajte len určené akumulátory.** Používanie iných akumulátorov môže mať za následok poranenie, alebo môže spôsobiť vznik požiaru.
 - c) **Keď akumulátor nepoužívate, zabezpečte, aby sa nemohol dostať do styku s kancelárskymi sponami, mincami, kľúčmi, klincami, skrutkami alebo inými drobnými predmetmi, ktoré by mohli spôsobiť premostenie kontaktov.** Skrat medzi kontaktmi akumulátora môže spôsobiť popáleniny alebo požiar.
 - d) **Ak sa akumulátor používa nevhodne, môže z neho uniknúť kvapalina. Vyhýbajte sa kontaktu s ňou. V prípade náhodného kontaktu umyte postihnuté miesto vodou. Ak sa dostane akumulátorová kvapalina do očí, vyhľadajte okrem toho aj lekársku pomoc.** Vytekáajúca kvapalina môže spôsobiť podráždenie pokožky alebo popáleniny.
 - e) **Nepoužívajte poškodený alebo upravený akumulátor alebo náradie.** Poškodené alebo upravované akumulátory môžu neočakávane reagovať a spôsobiť požiar, výbuch alebo zranenie.
 - f) **Akumulátory alebo náradie nevhadzujte do ohňa alebo nevystavujte nadmerným teplotám.** Vystavenie pôsobeniu ohňa alebo teploty nad 130°C môže spôsobiť

výbuch.

- g) **Dodržujte pokyny na nabíjanie a akumulátory alebo náradie nenabíjajte mimo teplotného rozsahu uvedeného v pokynoch.** Nesprávne nabíjanie alebo teploty mimo špecifikovaného rozsahu môžu poškodiť akumulátor a zvýšiť riziko požiaru.
- 6) **SERVIS**
- a) **Ručné elektrické náradie zverte do opravy len kvalifikovanému personálu a používajte len originálne náhradné súčiastky.** Tým sa zabezpečí zachovanie bezpečnosti ručného elektrického náradia.
- b) **Nikdy neopravujte poškodené akumulátory.** Akumulátory môže opravovať len výrobca alebo autorizovaný servis.

BEZPEČNOSTNÉ POKYNY PRE AKUMULÁTOROVÝ SKRUTKOVAČ

VŠEOBECNE

- **Neobrábajte materiál, ktorý obsahuje azbest** (azbest sa považuje za rakovinotvorný materiál)
- Prach z materiálu, akým je náter obsahujúci olovo, niektoré druhy dreva, minerály a kovy môže byť škodlivý (styk alebo nadýchanie prachu môže spôsobiť alergické reakcie a/alebo respiračné ochorenia obsluhy a okolostojacich osôb); **používajte ochrannú masku tváre a pracujte so zariadením na odsávanie prachu, ak je takéto zariadenie možné pripojiť**
- Určité druhy prachu sú klasifikované ako karcinogénne (akým dubový a bukový prach), a to hlavne v spojení s prísadami pre úpravu dreva; **používajte ochrannú masku tváre a pracujte so zariadením na odsávanie prachu, ak je takéto zariadenie možné pripojiť**
- Dodržujte stanovené nariadenia pre prácu v prašnom prostredí
- Nástroj a nabíjačku nevystavujte dažďu
- Nabíjačku alebo nástroj nedemontujte

- Zabezpečte, aby prepínač E ② bol v strednej (uzamknutej) polohe skôr ako budete nástroje nastavovať alebo meniť príslušenstvo ako aj pred nesením alebo každým odložením nástroja

NABÍJANIE/BATÉRIÍ

- S týmto nástrojom používajte len nabíjačku SKIL 2610Z07379
- **Túto nabíjačku môžu používať deti od 8 rokov a osoby s obmedzenými fyzickými, zmyslovými alebo duševnými schopnosťami alebo s nedostatočnými skúsenosťami a vedomosťami vtedy, keď sú pod dozorom osoby zodpovednej za ich bezpečnosť alebo ak ich táto osoba poučila o bezpečnom zaobchádzaní s nabíjačkou a chápu nebezpečenstvá, ktoré sú s tým spojené (v opačnom prípade**

existuje riziko chybnéj obsluhy a vzniku poranení)

- **Dávajte pozor na deti (takýmto spôsobom zabezpečíte, aby sa deti nehrali s nabíjačkou)**
- **Deti nesmú vykonávať čistenie a údržbu nabíjačky bez dohľadu**

- Nabíjačku nepoužívajte, keď je poškodená
- Povolená teplota okolia (nástroj/nabíjačka/akumulátor):
 - pri nabíjaní 4...40°C
 - pri prevádzke -20...+50°C
 - pri skladovaní -20...+50°C

PRÍSLUŠENSTVO

- SKIL zabezpečí hladký chod nástroja len ak sa používa pôvodné príslušenstvo

PRED POUŽITÍM

- Vždy skontrolujte či je napájacie napätie rovnaké ako napätie uvedené na štítku nabíjačke
- Zabráňte poškodeniu náradia skrutkami, klincami a inými kovovými predmetmi v obrobnku; zoberte ich dole prv než začnete pracovať
- **Zaistite obrábaný diel** (obrábaný diel uchytенý pomocou upínacích zariadení alebo vo zveráku je oveľa bezpečnejší kým v ruke)
- **Na vyhľadanie skrytých elektrických vedení, plynových a vodovodných potrubí použite vhodné hľadacie prístroje, alebo sa spojte s príslušným dodávateľom** (kontakt s elektrickým vedením môže mať za následok vznik požiaru alebo spôsobiť zásah elektrickým prúdom; poškodenie plynového potrubia

môže spôsobiť výbuch; prevrtanie vodovodného potrubia spôsobí vecné škody, alebo môže spôsobiť zásah elektrickým prúdom)

POČAS PRÁCE

- **Držte elektrické náradie len za izolované plochy rukovätí, ak vykonávate takú prácu, pri ktorej by mohli použiť pracovný nástroj alebo skrutka natrafiť na skryté elektrické vedenia** (kontakt s elektrickým vedením, ktoré je pod napätím, môže dostať pod napätie aj kovové súčiastky náradia a spôsobiť zásah elektrickým prúdom)
- V prípade elektrickej alebo mechanickej poruchy okamžite nástroje vypnite, alebo vyťahnite nabíjačku zo zásuvky

VYSVETLENIE SYMBOLOV UMIESTNENÝCH NA NÁSTROJI/ NABÍJAČKE

- ③ Pred použitím si prečítajte návod na obsluhu
- ④ Nabíjačku používajte iba v miestnosti
- ⑤ Dvojité izolácia (nevyžaduje sa uzemňovací kábel)
- ⑥ Nesprávna polarita pripojenia nabíjačky môže spôsobiť vznik nebezpečenstva (batériu nabíjajte iba pomocou dodávanej nabíjačky)
- ⑦ Nevyhadzujte elektrické náradie a batérie do komunálneho odpadu

POUŽITIE

- Nabíjanie batérie ⑧
 - ! **batériu, ktorý je nový, alebo sa dlhší čas nepoužíval, dosiahne plný výkon až po približne 5 nabíjacích/vybíjacích cykloch**
 - nabíjačku A pripojte ako ku konektoru, tak aj k stenovej zásuvke B
 - indikátor C sa rozsvieti na ZELENO, čo znamená, že akumulátor sa nabíja
 - keď je akumulátor plne nabitá, sa vypne indikátor C (približne po 3 hodinách)
 - lítium-iónovú batériu môžete nabíť kedykoľvek (prerúšením nabíjania batériu nepoškodíte)
 - lítium-iónové batérie nemusia byť pred nabíjaním úplne vybité

(nemajú "pamäťový efekt" ako nikel-kadmiové batérie)

- toto náradie sa počas nabíjania nedá používať; ak náradie počas nabíjania nefunguje, nie je to známkou žiadnej poruchy náradia
- ak predpokladáte dlhú dobu nepoužívania nástroja, najlepšie je nabíjačku vytriahnuť zo zásuvky
- Zapínanie/vypínanie ⑨
- Zmena smeru otáčania ⑩
 - ak nie je správne nastavená v polohe vľavo/vpravo, spínač D ② sa nedá aktivovať
- ! **zmeňte smer otáčania len keď je nástroj úplne nečinný**
- Ako vymeniť hroty ⑪
 - vložte hrot nadoraz do držiaka G
- ! **nepoužívajte hroty s poškodenou stopkou**
- Automatická aretácia
Umožňuje ručné uťahovanie alebo uvoľňovanie skrutiek, ak je to potrebné ⑫
- LED-Kontrolka ⑬
LED-kontrolka H sa zapne automaticky po stlačení vypínača D, aj keď vypínač E je v strednej (zablokovanej) polohe
- Uskladnenie hrotu J ⑭
Ponúka skladovanie pre 2 hroty vpredu
- Indikátor nabitia akumulátora
Ak sa rozsvieti sa ČERVENÁ indikátor C ② pri napoly stlačnom vypínači D ②, kapacita akumulátora má hodnotu menej ako 30% a akumulátor je potrebné dobiť
- Dve polohy rukoväte ⑮
- Ochrana batérie
Nástroj sa automaticky vypne, keď je príliš vysoká teplota batérie (> +65°C)
lítium-iónová batéria je takmer úplne vybitá (na ochranu pred prílišným vybitím)

RADA NA POUŽITIE

- Používajte vhodné hroty ⑮
 - ! **nepoužívajte poškodené hroty**
 - ! **používajte len hroty so šesťhranným driekom**
- Pri zaťahovaní skrutky v blízkosti rezu alebo na hrane dreva by sa mala

predvrtáť diera, aby sa zabránilo prasknutiu dreva

- Pre optimálne použitie nástroja sa vyžaduje rovnomerný tlak na skrutku, hlavne pri vyberaní
- Pri zaskrutkovaní do tvrdého dreva by sa mala predvrtáť diera
- Ďalšie informácie nájdete na adrese www.skil.com

ÚDRŽBA / SERVIS

- Tento nástroj nie je vhodný pre profesionálne použitie
- Nástroj a nabíjačku uchovávajte čisté
 - ! **pred čistením nabíjačku vytriahnite zo zásuvky**
- Ak by nástroj/nabíjačka napriek starostlivej výrobe a kontrole predsa len prestal niekedy fungovať, treba dať opravu vykonať autorizovanej servisnej opravovni elektrického náradia SKIL
 - pošlite nástroj alebo nabíjačku **bez rozmontovania** spolu s dôkazom o kúpe; vášmu dilerovi alebo do najbližšieho servisného strediska SKIL (zoznam adries servisných stredísk a servisný diagram nástroja sú uvedené na www.skil.com)
- Uvedomte si, že poškodenie spôsobené preťažením alebo nesprávnym zaobchádzaním bude zo záruky vylúčené (záručné podmienky spoločnosti SKIL nájdete na stránke www.skil.com alebo si ich vyžiadajte u svojho predajcu)

ŽIVOTNÉ PROSTREDIE

- **Elektrické náradie, príslušenstvo a balenia nevyhadzujte do komunálneho odpadu** (len pre štáty EÚ)
 - podľa európskej smernice 2012/19/EG o nakladaní s použitými elektrickými a elektronickými zariadeniami a zodpovedajúcich ustanovení právnych predpisov jednotlivých krajín sa použité elektrické náradie musí zbierať oddelene od ostatného odpadu a podrobiť ekologicky šetrnej recyklácii

- pripomenie vám to symbol ⑦, keď ju bude treba likvidovať
- ! počas likvidácie nástroja vyberte z neho batérie**
- Vybratie / likvidácia batérií ⑯
- ! batérie vyberte iba ak sú úplne vybité**
- aby ste zabránili skratu, zakryte póly batérie izolačnou páskou
- batérie zlikvidujte odovzdaním v oficiálnych zberných miestach určených pre zber batérií
- ! batérie po vhození do ohňa vybuchnú a preto batériu zo žiadneho dôvodu do ohňa nevhadzujte**

HLUK / VIBRÁCIE

- Merané podľa EN 60745 je úroveň akustického tlaku tohto nástroja <70 dB(A) (štandardná odchýlka: 3 dB) a vibrácie sú <2,5 m/s² (súčet vektorov troch smerov; nepresnosť K = 1,5 m/s²)
- Hladina emisií od vibrácií bola nameraná v súlade s normalizovaným testom uvedeným v norme EN 60745; môže sa používať na vzájomné porovnávanie náradí a na predbežné posúdenie vystavenia účinkom vibrácií pri používaní náradia pre uvedené aplikácie
- používanie náradia na rôzne aplikácie, alebo v spojení s rôznymi alebo nedostatočne udržiavanými doplnkami môže značne **zvýšiť** úroveň vystavenia
- časové doby počas ktorých je je náradie vypnuté alebo počas ktorých náradie beží ale v skutočnosti nevykonáva prácu môžu značne **znižit'** úroveň vystavenia
- ! chráňte sa pred účinkami vibrácií tak, že budete náradie a jeho príslušenstvo správne udržiavať, tak že nebudete pracovať so studenými rukami a tak že si svoje pracovné postupy správne zorganizujete**

HR

Akumulatorski odvijač 2710

UVOD

- Alat je s rotacijom lijevo/desno predviđen za uvijanje vijaka i prethodnog bušenje u drvo
- Ovaj uređaj nije namijenjen profesionalnoj upotrebi
- Pažljivo pročitajte i sačuvajte ove upute za rukovanje ③

TEHNIČKI PODACI ①

Max. zakretni moment za mekši slučaj uvijanja prema ISO 5393 : 7Nm

DIJELOVI ALATA ②

- A** Punjač
- B** Kontakt za punjač
- C** Indikator stanja napunjenosti akumulatora
- D** Prekidač za uključivanje/isključivanje
- E** Prekidač za promjenu smjera rotacije
- F** Ručica za otključavanje klina
- G** Magnetski držač bita
- H** LED lampica
- J** Spremnik za nastavke

SIGURNOST

OPĆA SIGURNOSNA UPOZORENJA ZA ELEKTRIČNE ALATE

⚠ UPOZORENJE Pročitajte sva sigurnosna upozorenja, upute, ilustracije i specifikacije isporučene s ovim električnim alatom. Zbog nepridržavanja svih uputa koje su navedene u nastavku može doći do nastanka strujnog udara, požara i/ili teške ozljede.

Sva upozorenja i upute sačuvajte kao referencu za buduće upotrebe.

U daljnjem tekstu korišten pojam "električni alat" odnosi se na električne alate s priključkom na električnu mrežu (s mrežnim kabelom) i na električne alate s napajanjem iz aku baterije (bez mrežnog kabela).

1) SIGURNOST NA RADNOM MJESTU

- a) **Vaše radno područje održavajte čisto i uredno.** Nered ili neosvijetljeno radno područje mogu doći do nezgoda.
- b) **S uređajem ne radite u okolini ugroženoj eksplozijom, u kojoj se nalaze zapaljive tekućine, plinovi ili prašina.** Električni alati proizvode iskre koje mogu zapaliti prašinu ili pare.
- c) **Djecu i ostale osobe držite dalje tijekom korištenja električnog alata.** Ako bi skrenuli pozornost sa posla mogli bi izgubiti kontrolu nad uređajem.

2) ELEKTRIČNA SIGURNOST

- a) **Priključni utikač uređaja treba odgovarati utičnici. Na utikaču se ni u kojem slučaju ne smiju izvoditi izmjene. Ne koristite adapterske utikače zajedno sa uređajima koji su zaštićeni uzemljenjem.** Originalni utikač i odgovarajuće utičnice smanjuju opasnost od električnog udara.
- b) **Izbjegavajte dodir tijela s uzemljenim površinama kao što su cijevi, centralno grijanje, štednjaci i hladnjaci.** Postoji povećana opasnost od električnog udara ako je vaše tijelo uzemljeno.
- c) **Držite uređaj dalje od kiše ili vlage.** Prodiranje vode u električni uređaj povećava opasnost od električnog udara.
- d) **Priključni kabel ne koristite za nošenje, vješanje ili za izvlačenje utikača iz utičnice. Držite kabel dalje od izvora topline, ulja, oštih rubova ili pomičnih dijelova uređaja.** Oštećen ili usukan kabel povećava opasnost od električnog udara.
- e) **Ako s električnim uređajem radite na otvorenom, koristite samo produžni kabel odobren za**

uporabu na otvorenom. Primjena produžnog kabela prikladnog za uporabu na otvorenom smanjuje opasnost od električnog udara.

- f) **Ako se ne može izbjeći uporaba električnog alata u vlažnoj okolini, upotrijebite sigurnosna sklopka za propuštanje u zemlju.** Upotrebom sigurnosne sklopke za propuštanje u zemlju smanjuje se opasnost od električnog udara.
- ## 3) SIGURNOST LJUDI
- a) **Budite oprezni, pazite što činite i postupajte razumno kod rada s električnim alatom. Ne koristite uređaj ako ste umorni ili pod utjecajem opojnih sredstava, alkohola ili lijekova.** Trenutak nepažnje kod uporabe uređaja može doći do ozbiljnih ozljeda.
 - b) **Nosite sredstva osobne zaštite i uvijek zaštitne naočale.** Nošenje sredstava osobne zaštite, kao što je zaštitna maska, sigurnosne cipele koje ne klize, zaštitne kacige ili štitnika za sluh, ovisno od vrste i primjene električnog alata, smanjuje opasnost od nezgoda.
 - c) **Izbjegavajte nehотиčno puštanje u rad. Prije nego što ćete utaknuti utikač u utičnicu i/ili staviti aku-bateriju, provjerite je li električni alat isključen.** Ako kod nošenja električnog alata imate prst na prekidaču ili se uključen uređaj priključi na električno napajanje, to može dovesti do nezgoda.
 - d) **Prije nego što uređaj uključite, uklonite alate za podešavanje ili vijčane ključeve.** Alat ili ključ koji se nalazi u rotirajućem dijelu uređaja može doći do nezgoda.
 - e) **Ne precjenjujte svoje sposobnosti. Zauzmite siguran i stabilan položaj tijela i držite u svakom trenutku ravnotežu.** Na taj način možete uređaj bolje kontrolirati u neočekivanim situacijama.
 - f) **Nosite prikladnu odjeću. Ne nosite široku odjeću ili nakit. Kosu i odjeću držite dalje od pomičnih dijelova.** Široku odjeću, dugu kosu ili nakit mogu zahvatiti pomični dijelovi.
 - g) **Ako se mogu montirati naprave za usisavanje i hvatanje prašine,**

provjerite da li su iste priključene i da li se pravilno koriste. Primjena naprave za usisavanje može smanjiti ugroženost od prašine.

- h) **Nemojte postati previše bezbrižni i zanemariti sigurnosne upute zato što alat često upotrebljavate i smatrate da ste ga dobro upoznali.**

Samo jedan trenutak nepažnje dovoljan je za nastanak ozbiljnih ozljeda.

4) **BRIŽLJIVA UPORABA ELEKTRIČNIH ALATA**

- a) **Ne preopterećujte uređaj. Koristite za vaše radove za to predviđen električni alat.** S odgovarajućim električnim alatom radit ćete bolje i sigurnije, u navedenom području učinka.
- b) **Ne koristite električni alat čiji je prekidač neispravan.** Električni alat koji se više ne može uključiti ili isključiti, opasan je i treba se popraviti.
- c) **Alat prije podešavanja, izmjene pribora i odlaganja isključite iz izvora napajanja i/ili izvadite komplet baterije, ako se vadi iz uređaja.** Ovim mjerama opreza izbjeci će se nehotično uključivanje električnog alata.
- d) **Nekorištene električne alate spremite izvan dosega djece. Ne dopustite da uređaj koriste osobe koje s njim nisu upoznate ili koje nisu pročitale upute za uporabu.** Električni alati su opasni ako ih koriste neiskusne osobe.
- e) **Redovno održavajte električne alate i pribor. Kontrolirajte da li pomični dijelovi uređaja besprijekorno rade i da nisu zaglavljani, te da li su dijelovi polomljeni ili tako oštećeni da negativno djeluju na funkciju uređaja. Popravite oštećene dijelove prije uporabe uređaja.** Mnoge nezgode imaju svoj uzrok u loše održanim uređajima.
- f) **Rezne alate održavajte oštrim i čistim.** Pažljivo održavani rezni alati s oštrim oštricama neće se zaglaviti i lakši su za vođenje.
- g) **Koristite električne alate, pribor, radne alate, itd., prema navedenim uputama. Pri tome uzmite u obzir**

radne uvjete i radove koje se izvode. Uporaba električnih alata za neke druge primjene različite od predviđenih, može doći do opasnih situacija.

- h) **Ručke i zahvatne površine održavajte suhima, čistima i pazite da na njih ne dospiju ulje ili mast.**

Skilske ručke i zahvatne površine onemogućuju sigurno rukovanje i alat se teško kontrolira u neočekivanim situacijama.

5) **BRIŽLJIVA UPORABA AKUMULATORSKIH UREĐAJA**

- a) **Aku-baterije punite samo s punjačima koje preporučuje proizvođač.** Punjač koji je prikladan za jednu određenu vrstu aku-baterije, postoji opasnost od požara ako bi se koristio s nekom drugom aku-baterijom.
- b) **Koristite isključivo samo aku-baterije koje su za određene električne alate predviđene.** Uporaba neke druge aku-baterije može doći do ozljeda i opasnosti od požara.
- c) **Nekorištenu aku-bateriju držite dalje od uredskih spajalica, kovanica, ključeva, čavala, vijaka ili drugih sitnih metalnih predmeta koji bi mogli prouzročiti premošćenje, kontakata.** Kratki spoj između kontakata aku-baterije može doći do opekline ili do požara.
- d) **Kod pogrešne primjene aku-baterije tekućina može iz nje isteći.** Izbjegavajte dodir s ovom tekućinom. Kod slučajnog dodira s tekućinom, odmah s vodom isprati. Ako bi tekućina dospjela u oči, odmah zatražite liječničku pomoć. Istekla tekućina može doći do nadražaja kože ili opekline.
- e) **Ne upotrebljavajte oštećene ili izmijenjene kompletne baterije ni alate.** Oštećene ili izmijenjene baterije podložne su nepredvidivom ponašanju i mogu uzrokovati požar, eksploziju ili ozljede.
- f) **Držite alat i komplet baterija dalje od vatre i visokih temperatura.** Izlaganje vatri ili temperaturi višoj od 130°C može uzrokovati eksploziju.
- g) **Poštujte sve upute za punjenje i**

komplet baterija i alat ne punite pri temperaturama izvan vrijednosti koje su propisane i navedene u uputama. Nepravilno punjenje ili punjenje pri temperaturama višim od propisanih može oštetiti bateriju i povećati opasnost od požara.

6) SERVISIRANJE

- a) **Popravak uređaja prepustite samo kvalificiranom stručnom osoblju i samo s originalnim rezervnim dijelovima.** Na taj će se način postići održanje stalne sigurnosti uređaja.
- b) **Nikada ne servisirajte oštećene komplete baterija.** Servisiranje kompleta baterija smiju obavljati isključivo proizvođači i ovlašteni serviseri.

UPUTE ZA SIGURAN RAD ZA AKUMULATORSKI ODVIJAČIMA

OPĆENITO

- **Ne obrađujte materijal koji sadrži azbest** (azbest se smatra kancerogenim)
- Prašina od materijala kao što su boje koje sadrže olovo, neke vrste drveća, minerali i metal mogu biti opasne (dodir s prašinom ili njeno udisanje mogu prouzročiti alergične reakcije i/ili respiratorna oboljenja rukovatelja ili posmatrača); **nosite masku za zaštitu od prašine i radite s uređajem za ekstrakciju prašine ukoliko ga možete priključiti**
- Određene vrste prašine klasificiraju se kao karcinogenske (kao što su prašina hrastovine i bukovine), osobito u sudejstvu s aditivima za kondicioniranje drveta; **nosite masku za zaštitu od prašine i radite s uređajem za ekstrakciju prašine ukoliko ga možete priključiti**
- Nacionalni uvjeti za materijale s kojima želite raditi
- Uređaj/punjač nikada ne izlagati djelovanju kiše
- Punjač ili uređaj nikada ne rastavljajte niti zamjenjujte
- Prilikom promjene pribora, prenošenja ili spremanja alata obavezno prekidač E ② postaviti u srednju poziciju (zaključano)

PUNJENJE/AKU-BATERIJE

- S ovim uređajem koristite samo punjač SKIL 2610Z07379
- **Ovaj punjač mogu koristiti djeca starija od 8 godina kao i osobe ograničenih fizičkih, osjetilnih ili mentalnih sposobnosti ili osobe bez iskustva i znanja ako su pod nadzorom ili su upućene u sigurno punjačem te razumiju uz to vezane opasnosti (u suprotnom postoji opasnost od pogrešnog rukovanja i ozljeda)**
- **Djecu držite pod nadzorom (na taj ćete način biti sigurni da se djeca neće igrati s punjačem)**
- **Čišćenje i održavanje punjača ne smiju izvoditi djeca bez nadzora odrasle osobe**

- Oštećene punjače ne puštati u rad
- Dopuštena okolišna temperatura (uređaj/punjač/baterija):
 - kod punjenja 4...40°C
 - tijekom rada -20...+50°C
 - kod skladištenja -20...+50°C

PRIBOR

- SKIL može osigurati besprijekoran rad uređaja samo ako se koristi originalni pribor

PRIJE UPORABE

- Uvijek provjerite je li napon napajanja isti kao onaj naveden na tipskoj pločici punjača
- Izbjegavajte oštećenja od vijaka, čavala i sličnih predmeta na vašem izratku; prije početka rada ih izvadite
- **Osigurajte izradak** (izradak je sigurnije pričvršćen pomoću stezaljke ili škripa nego da ga držite rukom)
- **Koristite prikladne uređaje za traženje napona kako bi se pronašli skriveni napojni vodovi ili se savjetuje s lokalnim distributerom** (kontakt s električnim vodovima mogao bi doći do požara i električnog udara; oštećenje plinske cijevi moglo bi dovesti do eksplozije; probijanje vodovodne cijevi uzrokuje materijalne štete ili može uzrokovati električni udar)

TIJEKOM UPORABE

- **Električni alat držite na izoliranim površinama zahvata, kada radite na mjestima gdje bi svrdlo ili vijak mogli oštetiti skrivene električne kablove** (kontakt sa vodom pod naponom može i metalne dijelove električnog alata staviti pod napon i dovesti do strujnog udara)
- U slučaju neuobičajenog ponašanja uređaja ili neobičnih šumova, uređaj treba odmah isključiti i izvući utikač iz mrežne utičnice

POJAŠNJENJE SIMBOLA NA UREĐAJU/PUNJAČU

- ③ Prije upotrebe pročitajte korisnički priručnik
- ④ Punjač koristite samo unutra
- ⑤ Dvostruka izolacija (dozemna žica nije potrebna)
- ⑥ Krivi polaritet spoja punjača može uzrokovati problem (punite bateriju samo pomoću punjača koji ste dobili s aparatom)

- ⑦ Ne bacajte električne alate i baterij u kućni otpad

POSLUŽIVANJE

- Punjenje aku-baterije ⑧
 - ! **nova aku-baterija ili ona koja se nije dulje vrijeme koristila, dati će svoj puni učinak otprilike nakon 5 ciklusa punjenja/pražnjenja**
 - spojite punjač A sa zidnom utičnicom i kontaktom B
 - indikator C će zasvijetliti ZELENO pokazujući da se baterija puni
 - nakon što se baterija dokraja napuni, će se indikator C (otprilike nakon 3 sata)
 - litij-ionska baterija može se puniti u bilo koje vrijeme (prekid punjenja ne oštećuje bateriju)
 - litij-ionska baterija ne mora biti prazna prije punjenja (nema "memorijskog učinka" kao pri nikl-kadmijskim baterijama)
 - alat se ne može koristiti tijekom procesa punjenja baterije; to ne znači da je neispravan ako tijekom punjenja ne funkcionira
 - ako uređaj nećete dulje vrijeme koristiti, izvucite mrežni utikač punjača iz utičnice
- Uključivanje/isključivanje ⑨
- Promjena smjera rotacije ⑩
 - ako položaj lijevo/desno nije ispravno preskočilo, prekidač D ② se ne može aktivirati
 - ! **smjer rotacije mijenjati samo dok alat miruje**
- Zamjena nastavaka ⑪
 - uvucite nastavak do krajnjeg položaja u držaču nastavaka G
 - ! **ne koristite nastavke s oštećenom drškom**
- Automatska blokada vretena
 - U slučaju potrebe omogućeno je ručno stezanje ili otpuštanje vijaka ⑫
- LED lampica ⑬
 - Lampica LED H automatski zasvijetli kada se pokrene prekidač D, čak i kada je prekidač E u srednjem (zaključanom) položaju
- Spremnik za nastavke J ⑭
 - Omogućuje spremanje 2 nastavaka u prednjem dijelu

- Indikator stanja napunjenosti akumulatora
Ako bi se indikator C ② kod na pola pritisnutog prekidača D ② upalio kao CRVENI, baterija ima manje od 30% svojeg kapaciteta i treba se napuniti
- Dva položaja ručke ⑭
- Zaštita baterije
Automatski isključuje uređaj pri temperatura baterije previsoka (> +65°C)
litij-ionska baterija je gotovo prazna (kako bi se zaštitila od potpunog pražnjenja)

SAVJETI ZA PRIMJENU

- Treba koristiti odgovarajuće bitove ⑮
**! ne koristiti oštećene bitove
! koristiti samo inbus bitove**
- Kod uvijanja vijka na prednjem ili stražnjem dijelu nekog izratka od drva, treba se prethodno izbušiti rupa, kako bi se izbjeglo kаланje drva
- Za optimalnu uporabu alata potreban je stalni pritisak na vijak, posebno tijekom odvijanja
- Kod uvijanja vijka u tvrdo drvo treba se prethodno izbušiti rupa
- Više informacija navedeno je na mrežnom mjestu www.skil.com

ODRŽAVANJE / SERVISIRANJE

- Ovaj uređaj nije namijenjen profesionalnoj upotrebi
- Uređaj i punjač održavajte uvijek čistim
! prije čišćenja punjača treba izvući njegov mrežni utikač
- Ako bi uređaj/punjač unatoč brižljivih postupaka izrade i ispitivanja ipak prestao raditi, popravak treba prepustiti ovlaštenom servisu za SKIL električne alate
- uređaj ili punjač treba **nerastavljeno** predati, zajedno s računom o kupnji u najbližu SKIL ugovornu servisnu radionicu (popise servisa, kao i oznake rezervnih dijelova uređaja možete naći na adresi www.skil.com)
- Imajte na umu kako jamstvo ne obuhvaća štete nastale zbog preopterećenja ili nepravilnog

rukovanja alatom (za uvjete iz SKIL jamstva, posjetite www.skil.com ili upitajte svog prodavača)

ZAŠTITA OKOLIŠA

- **Električne alate, pribor i ambalažu ne bacajte u kućni otpad** (samo za EU-države)
- prema Europskoj direktivi 2012/19/EG o staroj električnoj i elektroničkoj opremi i njenoj primjeni u skladu sa nacionalnim zakonom, istrošeni električni alati moraju se sakupljati odvojeno i odvesti u posebne pogone za reciklažu
- na to podsjeća simbol ⑦ kada se javi potreba za odlaganjem
! prije bacanja alata izvadite baterije
- Vađenje/bacanje baterija ⑯
! baterije vadite samo ako su potpuno prazne
- kako biste spriječili strujni udar, prostor za baterije oblijepite sigurnom ljepljivom trakom
- baterije bacite na ovlaštenom mjestu za bacanje baterija
! u dodiru s vatrom baterije će eksplodirati, stoga ne spaljujte bateriju iz bilo kojih razloga

BUKA / VIBRACIJA

- Mjereno prema EN 60745 prag zvučnog tlaka ovog električnog alata iznosi <70 dB(A) (standardna devijacija: 3 dB) a vibracija <2,5 m/s² (vektorski zbroj u tri smjera; nesigurnost K = 1,5 m/s²)
- Razina emitiranja vibracija izmjerena je sukladno normiranom testu danom u EN 60745; ona se može koristiti za usporedbu jedne alatke s drugom, te preliminarnu procjenu izloženosti vibracijama pri uporabi alatke za navedene namjene
- uporaba ove alatke za druge namjene ili s drugim ili slabo održavanim nastavcima, može u značajnoj mjeri **uvećati** razinu izloženosti
- vrijeme tokom kojega je alatka isključena, ili je uključena ali se njome ne radi, može značajno **umanjiti** razinu izloženosti

! zaštitite se od posljedica vibracija održavanjem alatke i njezinih nastavaka, održavanjem Vaših ruku toplima, te organiziranjem Vaših obrazaca rada



Akumulatorska uvrtlač 2710

UPUTSTVO

- Ovaj alat sa rotacijom nalevo i nadesno je namenjen za zavrtnanje i prethodnog bušenju u drvo
- Ovaj alat nije namenjen za profesionalnu upotrebu
- Pažljivo pročitajte i sačuvajte ova uputstva za rukovanje ③

TEHNIČKI PODACI ①

Max. obrtni momenat tvrdji slučaj zavrtnanja prema ISO 5393 : 7Nm

ELEMENTI ALATA ②

- A Punjač
- B Konektor punjača
- C Indikator kapaciteta baterije
- D Prekidač za uključivanje/isključivanje
- E Prekidač za promenu smera rotacije
- F Dugme za odblokiranje centriranja
- G Magnetni držač bitova
- H LED-svetlo
- J Skladište za bitseve

SIGURNOST

OPŠTA SIGURNOSNA UPOZORENJA ZA ELEKTRIČNI ALAT

⚠ UPOZORENJE Pročitajte sva bezbednosna upozorenja, uputstva, ilustracije i specifikacije priložene uz ovaj električni alat. Ukoliko se ne slede sva uputstva navedena u nastavku može doći do strujnog udara, požara i/ili ozbiljne povrede.

Sačuvajte sva upozorenja i uputstva za buduću upotrebu.

Pojam upotrebljen u upozorenjima "električni alat" odnosi se na električne alate sa radom na mreži (sa mrežnim kablom) i na električne alate sa radom na akumulator (bez mrežnog kabla).

1) SIGURNOST NA RADNOM MESTU

- Držite Vaše područje rada čisto i pospremljeno.** Nered ili neosvetljena radna područja mogu voditi nesrećama.
- Ne koristite električni alat tamo gde postoji opasnost od eksplozije kao npr. u prisustvu zapaljivih tečnosti, gasova ili prašine.** Električni alati proizvode varnice, koje mogu zapaliti prašinu ili isparenja.
- Za vreme korišćenja električnog alata držite podalje decu i druge osobe.** Kod skretanja možete izgubiti kontrolu nad alatom.

2) ELEKTRIČNA SIGURNOST

- Utikač električnog alata mora odgovarati utičnici. Nikada nemojte modifikovati utikač. Ne upotrebljavajte adaptere utikača sa uzemljenim električnim alatom.** Nemodifikovani utikači i odgovarajuće utičnice smanjuju rizik od električnog udara.
- Izbegavajte telesni kontakt sa uzemljenim gornjim površinama, kao što su cevi, grejanja, šporeti i rashladni ormani.** Postoji povećani rizik od električnog udara, ako je Vaše telo uzemljeno.
- Ne izlažite električni alat kiši ili vlažnim uslovima.** Prodor vode u električni alat povećava rizik od električnog udara.
- Ne zloupotrebljavajte kabl. Nikada nemojte koristiti kabl za nošenje i vučenje električnog alata ili za izvlačenje iz utičnice. Držite kabl dalje od vreline, ulja, oštarih ivica ili pokretnih delova.** Oštećeni ili umršeni kablovi povećavaju rizik električnog udara.
- Ako sa nekim električnim alatom radite u prirodi, upotrebljavajte samo produžne kablove koji su dozvoljeni za spoljno područje.** Upotreba produžnog kabla pogodnog za spoljno područje smanjuje rizik od

električnog udara.

- f) **Ako rad električnog alata ne može da se izbegne u vlažnoj okolini, koristite prekidač strujne zaštite pri kvaru.** Upotreba prekidača strujne zaštite pri kvaru smanjuje rizik od električnog udara.

3) SIGURNOST OSOBA

- a) **Budite oprezni, pazite na to šta radite i razumno rukujte Vašim električnim alatom. Ne koristite električni alat dok ste umorni ili pod uticajem narkotika, alkohola ili lekova.** Momenat nepažnje kod upotrebe električnog alata može rezultirati ozbiljnim povredama.
- b) **Nosite ličnu zaštitnu opremu i uvek zaštitne naočare.** Nošenje lične zaštitne opreme, kao maske za prašinu, sigurnosne cipele koje ne klizaju, zaštitni šlem ili zaštitu za sluh, zavisno od vrste i upotrebe električnog alata, smanjujete rizik od povreda.
- c) **Sprečite nenamerno puštanje u rad. Pre priključivanja na struju i/ili na akumulatorsku bateriju, podizanja ili nošenja alata uverite se da je prekidač isključen.** Nošenje električnog alata sa prstom na prekidaču ili priključivanje na struju uključenog električnog alata vodi do nesreće.
- d) **Uklonite bilo kakve ključeve za podešavanje ili ključeve za zavrtnjeve, pre nego što uključite električni alat.** Ostavljanje ključa za zavrtnjeve ili ključa prikačene na rotirajući deo električnog alata može rezultirati ličnom povredom.
- e) **Ne zauzimajte neadekvatan položaj. Sve vreme držite ravnotežu i pravilan položaj nogu.** Ovo omogućava bolje upravljanje električnim alatom u neočekivanim situacijama.
- f) **Nosite pogodno odelo. Ne nosite široko odelo ili nakit. Držite kosu i odeću dalje od pokretnih delova.** Opušteno odelo, nakit ili duža kosa mogu biti zahvaćeni od rotirajućih delova.
- g) **Ako se mogu montirati uredjaji za usisavanje prašine i uredjaji za hvatanje prašine, uverite se da li su priključeni i ispravno koristite.**

Upotreba usisavanja prašine može smanjiti opasnosti od prašine.

- h) **Ne dozvolite da pouzdanjem koje ste stekli čestom upotrebom alata utiče na to da postanete neoprezni i da zanemarite sigurnosne principe za upotrebu alata.** Neoprezno delovanje može prouzrokovati teške povrede u deliću sekunde.
- ### 4) BRIŽLJIVO OPHODJENJE I KORIŠĆENJE ELEKTRIČNIH ALATA
- a) **Ne preopterećujte električni alat. Koristite električni alat koji odgovara Vašoj primeni.** Sa odgovarajućim električnim alatom radite bolje i sigurnije tempom za koji je projektovan.
- b) **Ne upotrebljavajte električni alat, čiji je prekidač u kvaru.** Električni alat koji više ne može da se uključi ili isključi je opasan i mora da se popravi.
- c) **Izvucite utikač iz utičnice i/ili izvadite akumulatorsku bateriju, ukoliko je to moguće, iz električnog alata pre nego što izvršite bilo kakva podešavanja, promenu pribora ili pre nego što uskladištite električni alat.** Takve preventivne sigurnosne mere smanjuju rizik od slučajnog pokretanja električnog alata.
- d) **Čuvajte električne alate koje ne koristite izvan domašaja dece i ne dozvoljavajte osobama, koje nisu upoznate sa ovim električnim alatom ili sa ovim uputstvima, da rukuju električnim alatom.** U rukama neobučanih korisnika električni alati postaju opasni.
- e) **Održavajte električni alat i pribore. Proverite da li su pokretni delovi u ravni i da li negde zapinju, da nije došlo do lomljenja delova i svako drugo stanje koje može uticati na rad električnog alata. Ukoliko je oštećen, odnesite električni alat na popravku pre korišćenja.** Mnoge nesreće su prouzrokovane lošim održavanjem električnih alata.
- f) **Držite alate za sečenja oštre i čiste.** Brižljivo negovani alati za sečenje sa oštrim sečivima manje slepljuju i lakše se vode.
- g) **Upotrebljavajte električne alate, pribor, alate koji se umeću itd.**

prema ovim uputstvima. Obratite pažnju pritom na uputstva za rad i posao koji treba izvesti.

Upotreba električnih alata za druge od propisanih namena može voditi opasnim situacijama.

- h) **Održavajte drške i prihvatne površine suvim, čistim i bez ostataka ulja ili masnoće.** Klizave drške ili prihvatne površine ne omogućavaju bezbedno rukovanje i upravljanje alatom u neočekivanim situacijama.
- 5) **BRIŽLJIVO OPHODJENJE I KORIŠĆENJE APARATA SA AKUMULATOROM**
- a) **Punite akumulator samo u aparatima za punjenje koje propisuje proizvođač.** Za aparat za punjenje koji je pogodan za određenu vrstu akumulatora, postoji opasnost od požara, ako se upotrebljava sa drugim akumulatorom.
- b) **Upotrebljavajte samo za to predviđjene akumulatore u električnim alatima.** Upotreba drugih akumulatora može voditi povredama i opasnosti od požara.
- c) **Držite ne korišćen akumulator podalje od kancelarijskih spajalica, novčića, ključeva, eksera, zavrtnja ili drugih malih metalnih predmeta koji mogu prouzrokovati premošćavanje kontakata.** Kratak spoj između kontakata akumulatora može imati za posledicu zagorevanje ili vatru.
- d) **Kod pogrešne primene može izaći tečnost iz akumulatora; izbegavajte kontakt sa njom. Kod slučajnog kontakta isperite sa vodom. Ako tečnost dodje u dodir sa očima, potražite i lekarsku pomoć dodatno.** Tečnost akumulatora koja može izaći napolje može voditi nadražajima kože ili opekotinama.
- e) **Ne koristite akumulatorsku bateriju ili alat koji je oštećen ili modifikovan.** Oštećeni ili modifikovani akumulatori se mogu ponašati nepredviđeno što može rezultirati požarom, eksplozijom ili povredom.
- f) **Ne izlažite akumulatorsku bateriju ili alat vatri ili visokim**

temperaturama. Izlaganje vatri ili temperaturama iznad 130°C može prouzrokovati eksploziju.

- g) **Pridržavajte se svih uputstava u vezi sa punjenjem i ne punite akumulatorsku bateriju ili alat izvan temperaturnog opsega naznačenog u uputstvima.** Nepropisno punjenje ili punjenje na temperaturama izvan naznačenog opsega može oštetiti akumulator i povećati rizik od požara.
- 6) **SERVISIRANJE**
- a) **Vaš električni alat dajte na servisiranje samo kvalifikovanom licu za popravku, koristeći pritom samo identične rezervne delove.** Ovo će osigurati očuvanje bezbednosti električnog alata.
- b) **Nikada ne servisirajte oštećene akumulatorske baterije.** Servisiranje akumulatorskih baterija treba da vrši isključivo proizvođač ili ovlašćeni serviseri.

SIGURNOSNA UPUTSTVA ZA AKUMULATORSKE UVRTAČE

OPŠTA

- **Ne obradjujte nikakav materijal koji sadrži azbest** (azbest važi kao izazivač raka)
- Prašina od materijala, kao što su boja koja sadrži olovo, neke vrste drveta, minerali i metal, može biti opasna (dodir ili udisanje prašine može prouzrokovati alergijske reakcije i/ili respiratorna oboljenja rukovaoca i lica u blizini); **nosite masku protiv prašine i radite uz uključeni uređaj za ekstrakciju prašine kada radite na mestima gde ju je moguće priključiti**
- Određene vrste prašine su klasifikovane kao kancerogene (kao što su prašina hrastovine i bukovine), posebno u sadejstvu sa aditivima za pripremu drveta; **nosite masku protiv prašine i radite uz uključeni uređaj za ekstrakciju prašine kada radite na mestima gde ju je moguće priključiti**
- Prati nacionalne propise vezane za prašinu koja se proizvodi prilikom rada

na obrađivanim materijalima

- Ne izlažite alat/punjač kiši
- Nemojte izgubiti alat ili punjač
- Uverite se da je prekidač E ② u srednjoj poziciji (blokada) pre nego što počnete da podešavate alat, menjate pribor ili nosite alat

PUNJENJE/BATERIJA

- Uz ovaj alat koristite isključivo SKIL punjač 2610Z07379
- **Ovaj punjač mogu da koriste deca od 8 godina i lica sa ograničenim psihičkim, senzornim ili duševnim sposobnostima ili lica sa nedostatkom iskustva i znanja, ukoliko ih nadzire lice koje je odgovorno za njihovu sigurnost ili ako ih ono uputi u siguran rad sa punjačem i ako razumeju s time povezane opasnosti (u suprotnom postoji opasnost od pogrešnog rukovanja i povreda)**
- **Kontrolišite decu**

(time se obezbedjuje da se deca ne igraju sa uređajem za punjenje)

- **Čišćenje i održavanje punjača ne smeju da obavljaju deca bez kontrole odraslog lica**

- Nemojte koristiti punjač ako su oštećeni
- Dozvoljena ambijentalna temperatura (alat/punjač/bateriju):
 - prilikom punjenja 4...40°C
 - prilikom režima rada -20...+50°C
 - prilikom skladištenja -20...+50°C

PRIBOR

- SKIL može priznati garanciju samo ukoliko je korišćen originalni pribor

PRE UPOTREBE

- Uvek se uverite da je napon struje isti kao i napon naveden na pločici sa nazivom punjaču
- Izbegavajte oštećenja od šrafova, eksera i drugih predmeta na vašem području rada; uklonite ih pre nego što započnete rad
- **Obezbedite radni predmet** (radni predmet stegnut pomoću stega ili nečeg sličnog je mnogo stabilniji nego kada se drži rukom)
- **Koristite odgovarajuće aparate za proveru dali se u zidu koji bušimo nalaze skrivene instalacije, ili za taj posao nađite odgovarajuće preduzeće** (kontakt sa električnim vodovima može izazvati požar ili električni udar; oštećenje gasovoda može izazvati eksploziju; probijanje cevi sa vodom uzrokuje štete ili može izazvati električni udar)

TOKOM UPOTREBE

- **Držite električni alat za izolovane hvataljke kada izvodite radove kod kojih upotrebljeni alat ili zavrtanj može da susretne skrivene vodove struje** (kontakt sa jednim vodom koji

sprovodi struju može da stavi pod napon metalne delove uređaja i da utiče na električni udar)

- U slučaju električnog ili mehaničkog kvara odmah isključiti alat ili izvući punjač iz struje

OBJAŠNJENJE SIMBOLA NA ALATU/ PUNJAČ

- ③ Pročitajte uputstvo za korišćenje pre prve upotrebe
- ④ Punjač koristite samo u njegovu
- ⑤ Dvostruka izolacija (nije potrebna žica za uzemljenje)
- ⑥ Nepravilno povezani polaritet punjača može prouzrokovati opasnost (bateriju puniti samo pomoću originalnog punjača)
- ⑦ Ne odlažite električne alate i baterije u kućne otpatke

UPUTSTVO ZA KORIŠĆENJE

- Punjenje baterije ⑧
! bateriju koji je nov ili duže van upotrebe daje svoju punu snagu tek posle približno 5 ciklusa punjenja/praznjenja
 - povežite punjač A i na zidnu utičnicu i na konektor B
 - indikator C će postati ZELENO kada akumulator počne da se puni
 - kada je akumulator potpuno napunjena, se gasi svetlosni indikator C (posle približno 3 sata)
 - litijum-jonska baterija se može puniti bilo kada (prekid postupka punjenja ne oštećuje bateriju)
 - litijumsko-jonska baterija ne mora biti ispražnjena pre punjenja (nema "memorijskog efekta", kao kod nikl-kadmijumskih baterija)
 - alat za vreme radnje punjenja ne može da se koristi; nije defektan ako za vreme radnje punjenja ne funkcioniše
 - ako nastupi duži period mirovanja alata, najbolje je isključiti punjač iz struje
 - Uključivanje/isključivanje ⑨
 - Izmena smera rotacije ⑩
 - ako leva/desna pozicija ne ulegnu kako treba, prekidač D ② neće moći biti strtovan
- ! smer rotacije menjati samo kada alat potpuno miruje**

- Izmena bitseva ⑪
 - gurnite bit do krajnje pozicije u držaču G
- ! ne koristite bitseve sa oštećenim prihvatom**
- Automatsko dugme za zaključavanje vretena
Dozvoljava vam da po potrebi ručno pritezete ili otpustate šrafove ⑫
- LED-svetlo ⑬
LED-svetlo H se automatski uključuje kada se aktivira prekidač D, čak i kada je prekidač E u srednjoj poziciji (blokada)
- Skladište za bitseve J ⑭
Ima skladište za 2 bitseve na prednjoj strani
- Indikator kapaciteta baterije
Ako svetli indikator C ② pri polupritisnutom prekidaču D ② CRVENO, akumulator ima manje od 30% njegovog kapaciteta i trebao bi se napuniti
- Dva položaja ručice ⑮
- Zaštita baterije
Isključuje alat automatski kada temperatura baterije postane previsoka (> +65°C)
je litijumsko-jonska baterija gotovo ispražnjena (radi zaštite od dubinskog praznjenja)

SAVETI ZA PRIMENU

- Koristiti odgovarajuće bitseve ⑮
! nemojte koristiti oštećena bitseve
! koristiti samo bitseve sa heksagonskim prihvatom
- Pri uvrtanju šrafova na krajevima drveta prvo treba izbušiti malu rupu da bi se izbeglo listanje drveta
- Za optimalno korišćenje alata potreban je stalan pritisak na šraf, posebno pri odstranjivanju istih
- Ako uvrćete šraf u tvrdo drvo potrebno je prethodno izbušite rupu
- Za više informacija pogledajte www.skil.com

ODRŽAVANJE / SERVIS

- Ovaj alat nije namenjen za profesionalnu upotrebu

- Održavajte alat i punjač čistim
! pre nego što počnete sa čišćenjem izvucite punjač iz struje
- Ako bi alat/punjač i pored brižljivog postupka izrade i kontrole nekada otkazao, popravku mora vršiti neki autorizovani servis za SKIL-električne alate
 - pošaljite **nerastavljeni** alat i punjač zajedno sa potvrdom o kupovini vašem nabavljaču ili najbližem SKIL servisu (adrese i oznake rezervnih delova možete naći na www.skil.com)
- Imajte na umu da za oštećenja nastala usled preopterećivanja ili nepravilnog rukovanja neće važiti garancija (za uslove SKIL garancije posetite www.skil.com ili pitajte svog prodavca)

ZAŠTITA OKOLINE

- **Električne alate, pribora i ambalaže ne odlažite u kućne otpatke** (samo za EU-države)
 - prema Europskoj direktivi 2012/19/EG o staroj električnoj i elektronskoj opremi i njenoj upotrebi u skladu sa nacionalnim pravom, električni alati koji su istrošeni moraju biti sakupljeni odvojeno i dostavljeni pogonu za reciklažu
 - simbol ⑦ će vas podsetiti na to**! izvadite baterije pre odlaganja alata**
- Skidanje/odlaganje baterija ⑩
! baterije vadite samo ako su potpuno prazne
 - zaštitite izvode baterije izolacionom trakom da biste sprečili kratak spoj
 - odložite baterije na zvaničnoj sabirnoj stanici za baterije**! baterije će eksplodirati ako se izlože vatri, zato nikada ne palite baterije**

BUKA / VIBRACIJE

- Mereno u skladu sa EN 60745 nivo pritiska zvuka ovog alata iznosi <70 dB(A) (normalno odstupanje: 3 dB) a vibracija <2,5 m/s² (zbir vektora tri pravca; nesigurnost K = 1,5 m/s²)

- Nivo emisije vibracija izmeren je u skladu sa standardizovanim testom datim u EN 60745; on se može koristiti za upoređenje jedne alatke sa drugom, kao i za preliminarnu procenu izloženosti vibracijama pri korišćenju ove alatke za pomenute namene
 - korišćenje alatke u drugačije svrhe ili sa drugačijim ili slabo održavanim nastavcima može značajno **povećati** nivo izloženosti
 - vreme kada je alatka isključena ili kada je uključena, ali se njome ne radi, može značajno **smanjiti** nivo izloženosti**! zaštitite se od posledica vibracija održavanjem alatke i njenih nastavaka, održavajući Vaše ruke toplim i organizovanjem Vaših radnih obrazaca**

(SLO)

Akumulatorski vijačnik 2710

UVOD

- To orodje z levo/desno smerjo vrtenja je namenjeno vijačenju in pred vrtnanju v les
- Orodje ni namenjeno profesionalni uporabi
- Preberite in shranite navodila za uporabo ③

TEHNIČNI PODATKI ①

Maks. zatezni moment pri trdem vijačenju po ISO 5393 : 7Nm

DELI ORODJA ②

- A** Polnilnik
- B** Priključek polnilnika
- C** Indikator stanja akumulatorja
- D** Stikalo vklopi/izklopi
- E** Stikalo za preklap smeri vrtenja
- F** Gumb za odblokiranje vrtenja
- G** Magnetno držalo nastavka
- H** Dioda LED
- J** Shranjevalnik nastavkov

VARNOST

SPLOŠNA VARNOSTNA OPOZORILA ZA ELEKTRIČNA ORODJA

⚠ OPOZORILO Preberite vsa varnostna opozorila, navodila in tehnične podatke ter si oglejte slike, ki so priloženi temu električnemu orodju. Neupoštevanje spodaj navedenih navodil se lahko odrazi v električnem udaru, požaru in/ali hudih poškodbah.

Vsa opozorila in navodila shranite, saj jih boste v prihodnosti morda potrebovali.

Pojem "električno orodje", ki se pojavlja v nadaljnjem besedilu, se nanaša na električna orodja z električnim pogonom (z električnim kablom) in na akumulatorska električna orodja (brez električnega kabla).

1) VARNOST NA DELOVNEM MESTU

- a) **Poskrbite, da bo Vaše delovno mesto vedno čisto in urejeno.** Nered ali neosvetljena delovna področja lahko povzročijo nezgode.
- b) **Prosimo, da orodja ne uporabljate v okolju, kjer je nevarnost za eksplozije in v katerem se nahajajo gorljive tekočine, plini in prah.** Električna orodja povzročajo iskrenje, zato se gorljivi prah ali pare lahko vnamejo.
- c) **Ne dovolite otrokom in drugim osebam, da bi se medtem ko delate, približali električnemu orodju.** Druge osebe lahko odvrnejo Vašo pozornost drugam in izgubili boste nadzor nad orodje.

2) ELEKTRIČNA VARNOST

- a) **Vtič mora ustrezati električni vtičnici in ga pod nobenim pogojem ne smete spreminjati. Uporaba adapterskih vtičev v kombinaciji z ozemljena orodja ni dovoljena.** Originalni oziroma nespremenjeni vtiči in ustrezne vtičnice zmanjšujejo tveganje električnega udara.
- b) **Izogibajte se telesnemu stiku z ozemljenimi površinami, na**

primer s cevmi, grelci, štedilniki in hladilniki. Če je ozemljeno tudi vaše telo, obstaja povečano tveganje električnega udara.

- c) **Zavarujte orodje pred dežjem ali vlago.** Vdor vode v električno orodje povečuje tveganje električnega udara.
 - d) **Električnega kabla ne uporabljajte za prenašanje ali obešanje orodja in ne vlecite vtič iz vtičnice tako, da vlečete za kabel. Zavarujte kabel pred vročino, oljem, ostrimi robovi in premikajočimi se deli orodja.** Poškodovani ali prepleteni kabli povečujejo tveganje električnega udara.
 - e) **Če z električnim orodjem delate na prostem, uporabljajte izključno kabelski podaljšek, ki je atestiran za delo na prostem.** Uporaba kabelskega podaljška, primerne za delo na prostem, zmanjšuje tveganje električnega udara.
 - f) **Če je uporaba električnega orodja v vlažnem okolju neizogibna, uporabljajte prekinjevalec električnega tokokroga.** Prekinjevalca električnega tokokroga zmanjšuje tveganje električnega udara.
- #### 3) OSEBNA VARNOST
- a) **Bodite zbrani in pazite, kaj delate. Dela z električnim orodjem se lotite razumno. Nikoli ne uporabljajte orodja, če ste utrujeni in če ste pod vplivom mamil, alkohola ali zdravil.** En sam trenutek nepazljivosti pri uporabi orodja ima lahko za posledico resne telesne poškodbe.
 - b) **Uporabljajte osebna zaščitna sredstva in vedno nosite zaščitna očala.** Uporaba osebnih zaščitnih sredstev, na primer maske proti prahu, neдрсеčih zaščitnih čevljev, zaščitne čelade in glušnikov, odvisno od vrste in uporabe električnega orodja, zmanjšuje tveganje telesnih poškodb.
 - c) **Izogibajte se nenamernemu zagonu. Pred priključitvijo električnega orodja na električno omrežje in/ali na akumulator in pred dviganjem ali nošenjem se prepričajte, če je električno orodje izklopljeno.** Prenašanje naprave s prstom na stikalu ali priključitev

vklopljenega električnega orodja na električno omrežje je lahko vzrok za nezgodo.

- d) **Pred vklopom orodja odstranite z nje nastavitvena orodja ali vijačni ključ.** Orodje ali ključ, ki se nahajata na vrtečem se delu električnega orodja, lahko povzročita nezgodo.
 - e) **Ne precenjujte se in poskrbite za varno stojišče in stalno ravnotežje.** Tako boste lahko v nepričakovani situaciji bolje obvladali orodje.
 - f) **Oblecite se primerno. Ne nosite ohlapnih oblačil ali nakita. Las in oblačil ne približujte premikajočim se delom.** Ohlapna oblačila, nakit ali dolgi lasje se lahko ujamejo v premikajoče se dele.
 - g) **Če je možno na orodje namestiti priprave za odsesavanje in prestrezanje prahu, prepričajte se, ali so le-te priključene in, če jih pravilno uporabljate.** Uporaba priprave za odsesavanje prahu zmanjšuje zdravstveno ogroženost zaradi prahu.
 - h) **Naj seznanjenost z orodjem, ki jo pridobite s pogosto uporabo, ne bo razlog za to, da postanete lahkomišelní in ignorirate varnostna načela.** V delčku sekunde lahko nepozorno dejanje pripelje do hude poškodbe.
- 4) RAVNANJE IN NEGA ROČNEGA ORODJA**
- a) **Ne preobremenjujte orodja. Za določeno delo uporabljajte električno orodje, ki je predvideno za opravljanje tega dela.** Z ustreznim električnim orodjem boste delo opravili bolje in varneje, ker je bilo v ta namen tudi konstruirano.
 - b) **Električno orodje, ki ima pokvarjeno stikalo, ne uporabljajte.** Električno orodje, ki ga ni možno vklopiti ali izklopiti, je nevarno in ga je potrebno popraviti.
 - c) **Izvlécite vtič iz vtičnice in/ali odstranite akumulatorsko baterijo, če jo je mogoče izvzeti, še preden orodje popravljate, menjujete pribor ali ga shranite.** Ti preventivni varnostni ukrepi zmanjšajo tveganje za nenamenski zagon orodja.

- d) **Kadar orodja ne uporabljate ga shranjujte izven dosega otrok. Osebam, ki orodja ne poznajo ali niso prebrale teh navodil, orodja ne dovolite uporabljati.** Električna orodja so nevarna, če jih uporabljajo neizkušene osebe.
 - e) **Vzdržujte električna orodja in pribor. Preverite, če premikajoči se deli orodja delujejo brezhibno in če se ne zatikajo, oziroma, če kakšen del orodja ni zlomljen ali poškodovan do te mere, da bi ovíral njegovo delovanje. Pred nadaljnjo uporabo je potrebno poškodovani del popraviti.** Vzrok za številne nezgode so ravno slabo vzdrževana električna orodja.
 - f) **Rezalna orodja naj bodo ostrá in čista.** Skrbno negovana rezalna orodja z ostrimi rezili se manj zatikajo in so bolj vodljiva.
 - g) **Električna orodja, pribor, nastavke in podobno uporabljajte v skladu s temi navodili. Pri tem upoštevajte delovne pogoje in vrsto dela, ki ga nameravate opraviti.** Zaradi uporabe električnega orodja v druge, nepredvidene namene, lahko nastanejo nevarne situacije.
 - h) **Ročaji in površine za prijemanje naj bodo suhe, čiste in brez olja ali maščobe.** Gladki ročaji in površine za prijemanje ne omogočajo varne uporabe in nadzora orodja v nepričakovanih situacijah.
- 5) SKRBNO RAVNANJE Z AKUMULATORSKIMI NAPRAVAMI IN NJIHOVA UPORABA**
- a) **Prosimo, da akumulatorske baterije polnite samo v polnilnikih, ki jih priporoča proizvajalec.** Na polnilniku, predvidenem za polnjenje določene vrste akumulatorskih baterij, lahko pride do požara, če ga uporabljate za polnjenje drugih vrst akumulatorskih baterij.
 - b) **Za pogon akumulatorskih orodij uporabljajte samo zanje predvidene akumulatorske baterije.** Uporaba drugačnih akumulatorskih baterij lahko povzroči telesne poškodbe ali požar.

- c) **Kadar akumulatorska baterija ni v orodju, pazite, da ne pride v stik s kovinskimi predmeti kot so pisarniške sponke, kovanci, ključi, žebliji, vijaki ali ostalimi kovinskimi predmeti, ki bi lahko povzročili stik med obema poloma akumulatorja.** Kratak stik med kontakti akumulatorske baterije lahko povzroči opekline ali požar.
- d) **Pri napačni uporabi lahko iz akumulatorske baterije priteče tekočina. Izogibajte se stiku z njo. V primeru naključnega stika prizadeto mesto spirajte z vodo. Če pride akumulatorska tekočina v oči, po spiranju poiščite tudi zdravniško pomoč.** Iztekanje tekočine iz akumulatorja lahko povzroči draženje kože ali opekline.
- e) **Ne uporabljajte poškodovanih ali prilagojenih akumulatorskih baterij oz. orodij.** Poškodovane ali prilagojene akumulatorske baterije se lahko nepredvidljivo obnašajo, kar lahko povzroči požar, eksplozijo ali tveganje za poškodbe.
- f) **Akumulatorske baterije ali orodja ne izpostavljajte ognju ali previsoki temperaturi.** Izpostavljenost ognju ali vročini nad 130°C lahko povzroči eksplozijo.
- g) **Upoštevajte navodila za polnjenje in ne polnite akumulatorske baterije ali orodja pri temperaturi, ki je izven območja, navedenega v navodilih.** Če orodje polnite na nepravilen način ali pri temperaturah, ki so izven določenega območja, lahko pride do poškodb akumulatorske baterije, kar poveča tveganje za požar.
- 6) **SERVISIRANJE**
- a) **Popravilo orodja lahko opravi samo usposobljena strokovna oseba in to izključno z originalnimi nadomestnimi deli.** Le tako bo ohranjena nadaljnja varnost orodja.
- b) **Nikdar ne popravljajte poškodovanih akumulatorskih baterij.** Akumulatorske baterije naj popravlja le proizvajalec ali pooblaščen servisier.

VARNOSTNA NAVODILA ZA AKUMULATORSKE VIJAČNIKE

SPLOŠNO

- **Ne obdelujte materiala, ki vsebuje azbest** (azbest povzroča rakasta obolenja)
- Prah materialov, kot so barve, ki vsebujejo svinec, nekatere vrste lesa, mineralov ali kovin so lahko škodljivi (ob stiku ali vdihavanju lahko prah pri delavcu ali pri drugih prisotnih povzroči alergijsko reakcijo in/ali boleznih dihal); **nosite masko za prah in pri delu uporabljajte napravo za odsesavanje prahu, kjer je le-to možno priključiti**
- Nekatero vrste prahu so klasificirane kot kancerogene (kot npr. prah hrasta in bukve) še posebno ob sočasni uporabi z dodatki za obdelavo lesa; **nosite masko za prah in pri delu uporabljajte napravo za odsesavanje prahu, kjer je le-to možno priključiti**
- Upoštevajte nacionalne zahteve glede prahu za materiale katere želite obdelovati
- Ne izpostavljajte orodja in polnilca dežju
- Ne razstavljajte polnilca ali orodja
- Pred nastavitvijo ali menjavo pribora in pri prenašanju ali shranjevanju orodja zagotovite, da je stikalo E ② v vmesni poziciji (zaklenjeno)

POLNENJE/AKUMULATORJI

- S tem orodjem uporabljajte samo polnilca SKIL 2610Z07379
- **Ta polnilnik lahko otroci, stari 8 let ali več, in osebe z omejenimi fizičnimi, senzoričnimi ali duševnimi sposobnostmi ali pomanjkljivimi**

izkušnjami in pomanjkljivim znanjem uporabljajo pod nadzorom odgovorne osebe, ki je odgovorna za njihovo varnost, ali če so seznanjeni, kako varno uporabljati polnilnik in se zavedajo s tem povezanih nevarnosti (v nasprotnem primeru obstaja nevarnost napačne uporabe in poškodb)

- **Nadzorujte otroke (s tem je zagotovljeno, da se otroci ne igrajo s polnilno napravo)**
- **Otroci ne smejo čistiti in vzdrževati polnilne naprave brez nadzora**

- Ne uporabljajte poškodovanega polnilca akumulatorjev
- Dovoljena temperatura okolice (orodje/polnilec/akumulator):
 - pri polnjenju 4...40°C
 - pri delu -20...+50°C
 - pri skladiščenju -20...+50°C

PRIBOR

- SKIL zagotavlja brezhibno delovanje orodja le z uporabo originalnega dodatnega pribora

PRED UPORABO

- Vedno preverite, če je napetost omrežja enaka napetosti, ki je navedena na tablici podatkov polnilca
- Izogibajte se poškodb zaradi vijakov, žebeljev ali drugih elementov v obdelovancu; odstranite jih pred začetkom dela
- **Zavarujte obdelovanec** (obdelovanec stisnjen v prižemi ali primežu je bolj varen kot v roki)
- **Za iskanje skritih električnih, plinskih in vodovodnih cevi uporabite primerne iskalne naprave (detektorje) ali se posvetujte z lokalnimi podjetji** (stik z električnimi vodniki lahko povzroči požar ali električni udar; poškodbe plinovoda lahko povzročijo eksplozijo, vdor v vodovodno omrežje pa materialno škodo ali električni udar)

MED UPORABO

- **Električno orodje smete držati le na izoliranem ročaju, če delate na območju, kjer lahko vstavljen orodje ali vijak pride v stik s skritimi omrežnimi napeljavami** (stik z napeljavo, ki je pod napetostjo povzroči, da so posledično tudi kovinski deli orodje pod napetostjo in to vodi do električnega udara)
- V primeru električnih ali mehanskih motenj takoj izključite orodje ali izvlecite vtikač polnilca iz vtičnice

POJASNILO OZNAK NA ORODJU/ POLNILNIKU

- ③ Pred uporabo preberite navodila za uporabo
- ④ Polnilnik uporabljajte samo v zaprtem prostoru
- ⑤ Dvojna izolacija (ozemljitveni kabel ni potreben)
- ⑥ Napačna polariteta na priključku polnilnika lahko povzroči nevarnost (baterijo polnite vedno le s priloženim polnilnikom)
- ⑦ Ne odstranjujte električnega orodja in baterije s hišnimi odpadki

UPORABA

- Polnjenje akumulatorja ⑧
 - ! **nov akumulator doseže svojo polno zmogljivost šele po približno 5 ciklih polnjenja/praznjenja; isto velja za akumulatorje, ki dlje časa niso bili uporabljeni**
 - spojite polnilnik A s stensko vtičnico in priključkom B
 - indikator C zasveti ZELENA, kar nakazuje, da se je polnjenje pričelo
 - ko je akumulator popolnoma poln, se ugasne indikator C (po približno 3 urah)
 - litij-ionsko baterijo lahko polnite kadarkoli (prekinjanje postopka polnjenja ne škoduje bateriji)
 - litijevega ionskega akumulatorja pred polnjenjem ni treba povsem izprazniti (nima funkcije »pomnjenja«, kot jo imajo nikelj-kadmijevi akumulatorji)
 - med postopkom polnjenja orodja ne morete uporabljati; to pomeni, da ni okvarjeno, če med postopkom polnjenja ne deluje
 - če predvidevate, da orodja ne boste uporabljali dlje časa, izključite vtičak polnilca iz vtičnice
- Vkllop/lzklop ⑨
- Menjava smeri vrtenja ⑩
 - v primeru, da preklopnik smeri vrtenja ni v pravilnem položaju ni možno vklopiti stikala D ②
 - ! **preklop smeri vrtenja izvesti le pri popolnoma mirujočemu orodju**
- Menjava nastavkov ⑪
 - potisnite nastavek do konca v držalo nastavka G
 - ! **ne uporabljajte nastavke s poškodovanim stebлом**
- Avtomatska blokada vretena Omogoča ročno privijanje in odvijanje vijakov ⑫
- Dioda LED ⑬
 - Dioda LED H se samodejno vklopi, ko vklopite stikalo D, tudi če je stikalo E v vmesnem (zaklenjenem) položaju
- Shranjevalnik nastavkov J ⑭
 - Vam omogoča shranjevanje 2 nastavkov spredaj

- Indikator stanja akumulatorja Če indikator C ② pri do polovice pritisnjemem stikalu D ② RDEČE zasveti, ima akumulator na voljo manj kot 30% svoje kapacitete in ga je treba napolniti
- Ročaj v dveh položajih ⑬
- Zaščita akumulatorja Samodejno izključi orodje temperatura baterije previsoka (> +65°C)
litijev ionski akumulator je skoraj prazen (preprečite popolno izpraznitev)

UPORABNI NASVETI

- Uporabljajte ustrezne nastavke ⑮
 - ! **ne uporabljajte poškodovanih nastavkov**
 - ! **vedno uporabljajte šestrobne nastavke**
- Pri vijachenju vijaka v les v bližini robu je potrebno predvrtati luknjo, s čimer boste preprečili pokanje lesa
- Za optimalno delo je potreben enakomeren pritisk na orodje, posebno pri odvijanju vijaka
- Pri privijanju vijaka v trd les priporočamo, da najprej izvrtate luknjo
- Za več informacij obiščite spletno stran www.skil.com

VZDRŽEVANJE/SERVISIRANJE

- Orodje ni namenjeno profesionalni uporabi
- Orodje in polnilec morata biti čista
 - ! **pred čiščenjem potegnite električni vtič iz vtičnice**
- Če bi kljub skrbnim postopkom izdelave in preizkušanja prišlo do izpada delovanja orodja/polnilec, naj popravilo opravi servisna delavnica, pooblaščen za popravila SKILevih električnih orodij
 - pošljite **nerazstavljeno** orodje ali polnilec skupaj s potrdilom o nakupu pri vašemu prodajalcu v najbližjo SKIL servisno delavnico (naslovi, kot tudi spisek rezervnih delov se nahaja na www.skil.com)
- Zavedajte se, da garancija ne vključuje poškodb zaradi preobremenitve orodja ali nepravilne

rabe (glede SKILovih garancijskih pogojev obiščite www.skil.com ali povprašajte prodajalca)

OKOLJE

- **Električnega orodja, pribora in embalaže ne odstranjujte s hišnimi odpadki** (samo za države EU)

- v skladu z Evropsko direktivo 2012/19/EG o odpadni električni in elektronski opremi in z njenim izvajanjem v nacionalni zakonodaji je treba električna orodja ob koncu njihove življenjske dobe ločeno zbirati in jih predati v postopek okolju prijaznega recikliranja

- ko je potrebno odstranjevanje, naj vas o načinu spomni simbol ⑦

! preden orodja odvržete v odpadke, odstranite baterije

- Odstranjevanje baterij ⑩ / odlaganje v odpadke

! baterije odstranite le, če so popolnoma prazne

- da bi preprečili kratek stik, terminale baterij zavarujete z močnim trakom

- baterije odlagajte v oficialne zbiralnike za baterije

! baterije lahko pri izpostavljanju odprtemu ognju eksplodirajo, zato jih nikoli ne sežigajte

HRUP / VIBRACIJA

- Izmerjeno v skladu s predpisom EN 60745 je raven zvočnega pritiska za to orodje <70 dB(A) (standarden odmik: 3 dB) in vibracija <2,5 m/s² (vektorska vsota treh smeri; netočnost K = 1,5 m/s²)
- Raven oddajanja vibracij je bila izmerjena v skladu s standardiziranimi testi, navedenimi v EN 60745; uporabiti jo je mogoče za primerjavo različnih orodij med seboj in za predhodno primerjavo izpostavljenosti vibracijam pri uporabi orodja za namene, ki so omenjeni
- uporaba orodja za drugačne namene ali uporaba skupaj z drugimi, slabo vzdrževanimi nastavki lahko znatno **poveča** raven izpostavljenosti
- čas, ko je orodje izklopljeno ali ko

teče, vendar z njim ne delamo, lahko znatno **zmanjša** raven izpostavljenosti

- ! **pred posledicami vibracij se zaščitite z vzdrževanjem orodja in pripadajočih nastavkov, ter tako, da so vaše roke tople, vaši delovni vzorci pa organizirani**



Akukruvikeeraja

2710

SISSEJUHATUS

- Parem/vasaku käiguga tööriist on ettenähtud kruvide sisse- ja väljakeeramiseks ning aukude eelpuurimiseks puitu
- Tööriist pole mõeldud professionaalseks kasutamiseks
- Palun lugege käesolev kasutusjuhend hoolikalt läbi ja hoidke alles ③

TEHNILISED ANDMED ①

Max pöördemoment tugeval kruvikeeramisrežiimil
ISO 5393 kohaselt : 7Nm

SEADME OSAD ②

- A Akulaadija
- B Akulaadija ühenduspesa
- C Aku laetuse astme indikaator
- D Töölülit (sisse/välja)
- E Lülit pöörlemis-suuna muutmiseks
- F Teljepoldi lahtilukustamise nupp
- G Magnetadapter
- H LED-märgutuli
- J Otsakuhoidik

OHUTUS

ÜLDISED OHUTUSNÕUDED ELEKTRILISTE TÖÖRIISTADE KASUTAMISEL

⚠ HOIATUS Lugege kõiki hoiatusi, juhiseid, kirjeldusi ja spetsifikatsioone, mis käivad tööriistaga kaasas. Kui kõiki allpool loetletud juhiseid ei õnnestu järgida, võite saada elektrilöögi, võib tekkida tulekahju ja/või saada raskelt vigastada.

Hoidke kõik ohutusnõuded ja juhised edaspidiseks alles.

Allpool kasutatud mõiste "elektriline tööriist" käib võrgutoitega (toitejuhtmega) elektriliste tööriistade ja akutoitega (ilma toitejuhtmega) elektriliste tööriistade kohta.

1) OHUTUSNÕUDED TÖÖPIIRKONNAS

- a) **Hoidke töökoht puhas ja korras.** Segadus või valgustamata tööpiirkonnad võivad põhjustada õnnetusi.
- b) **Ärge kasutage seadet plahvatusohtlikus keskkonnas, kus leidub tuleohtlikke vedelikke, gaase või tolmu.** Elektrilistest tööriistadest lööb sädemeid, mis võivad tolmu või aurud süüdata.
- c) **Kui kasutate elektrilist tööriista, hoidke lapsed ja teised isikud tõrkohast eemal.** Kui Teie tähelepanu kõrvale juhitakse, võib seade Teie kontrolli alt väljuda.

2) ELEKTRIOHUTUS

- a) **Seadme pistik peab pistikupesaga sobima.** Pistiku kallal ei tohi teha mingeid muudatusi. Ärge kasutage kaitsemaandusega seadmete puhul adapterpistikuid. Muutmata pistikud ja sobivad pistikupesad vähendavad elektrilöögi saamise riski.
- b) **Vältige kehakontakti maandatud pindadega, nagu torud, radiataatorid, pliidid ja külmikud.** Kui Teie keha on maandatud, on elektrilöögi risk suurem.
- c) **Hoidke seadet vihma ja niiskuse eest.** Kui elektriseadmesse on sattunud vett, on elektrilöögi saamise risk suurem.
- d) **Ärge kasutage toitejuhet selleks mitte ettenähtud otstarbel seadme kandmiseks, ülesriputamiseks ega pistiku pistikupesast väljatõmbamiseks.** Hoidke toitejuhet kuumuse, õli, teravate servade ja seadme liikuvate osade eest. Kahjustatud või keerduläinud toitejuhtmed suurendavad elektrilöögi saamise riski.
- e) **Kui töötate elektrilise tööriistaga**

vabas õhus, kasutage ainult selliseid pikendusjuhtmeid, mida on lubatud kasutada ka välistingimustes. Välistingimustes kasutamiseks sobiva pikendusjuhtme kasutamine vähendab elektrilöögi saamise riski.

- f) **Kui elektrilise tööriista kasutamine niiskes keskkonnas on vältimatu, kasutage maandusega lekkevoolukatset.** Maandusega lekkevoolukaitsme kasutamine vähendab elektrilöögi ohtu.
- ## **3) INIMESTE TURVALISUS**
- a) **Olge tähelepanelik, jälgige, mida Te teete, ning toimige elektrilise tööriistaga töötades mõistlikult.** Ärge kasutage seadet, kui olete väsinud või uimastite, alkoholi või ravimite mõju all. Hetkeline tähelepanematus seadme kasutamisel võib põhjustada tõsiseid vigastusi.
 - b) **Kandke isikukaitsevahendeid ja alati kaitseprille.** Isikukaitsevahendite, nagu tolmu mask, libisemiskindlad turvajalatsid, kaitsekiiver või kuulmiskaitsevahendid, kandmine – sõltuvalt elektrilise tööriista tüübist ja kasutusala – vähendab vigastuste riski.
 - c) **Vältige seadme tahtmatut käivitamist.** Enne pistiku ühendamist pistikupesaga, aku ühendamist seadme külge, seadme ülestõstmist ja kandmist veenduge, et elektriline tööriist on välja lülitatud. Kui hoiate elektrilise tööriista kandmisel sõrme lültil või ühendate vooluvõrku sisselülitatud seadme, võivad tagajärjeks olla õnnetused.
 - d) **Enne seadme sisselülitamist eemaldage selle küljest reguleerimis- ja mutrivõtmed.** Seadme pöörleva osa küljes olev reguleerimis- või mutrivõti võib põhjustada vigastusi.
 - e) **Ärge hinnake end üle.** Võtke stabiilne tööasend ja hoidke kogu aeg tasakaalu. Nii saate seadet ootamatutes olukordades paremini kontrollida.
 - f) **Kandke sobivat rõivastust.** Ärge kandke laiu riideid ega ehteid. Hoidke juuksed ja rõivad seadme

liikuvatest osadest eemal.

Lotendavad riided, ehted või pikad juuksed võivad sattuda seadme liikuvate osade vahele.

- g) **Kui on võimalik paigaldada tolmueemaldus- ja tolmutolmukogumisseadiseid/ seadmeid, veenduge, et need oleksid seadmega ühendatud ja et neid kasutataks õigesti.**
Tolmueemaldusseadise kasutamine vähendab tolmuust põhjustatud ohte.
- h) **Ärge muutuge tööriista sagedasest kasutamisest hooletuks ja ärge eirake ohutusnõudeid.** Hooletus võib sekundi murdosa jooksul kaasa tuua raskeid vigastusi.
- 4) **ELEKTRILISTE TÖÖRIISTADE HOOLIKAS KÄSITSEMINE JA KASUTAMINE**
- a) **Ärge koormake seadet üle.** Kasutage töö tegemiseks selleks ettenähtud elektrilist tööriista. Sobiva elektrilise tööriistaga töötate paremini ja turvalisemalt ettenähtud võimsusvahemikus.
- b) **Ärge kasutage elektrilist tööriista, mille lüliti on rikkis.** Elektriline tööriist, mida ei ole enam võimalik sisse ja välja lülitada, on ohtlik ning seda tuleb remontida.
- c) **Tõmmake pistik pistikupesast välja ja/või eemaldage seadmest aku, kui on eemaldatav, enne seadme reguleerimist, tarvikute vahetamist ja seadme ärapanekut.** See ettevaatusabinõu väldib seadme tahtmatut käivitamist.
- d) **Kasutusvälisel ajal hoidke elektrilisi tööriistu lastele kättesaamatult. Ärge laske seadet kasutada isikutel, kes seda ei tunne või pole siintoodud juhiseid lugenud.** Kogenematute kasutajate käes kujutavad elektrilised tööriistad ohtu.
- e) **Hoolitsege elektriliste tööriistade ja tarvikute eest korralikult.** Kontrollige, kas seadme liikuvad osad funktsioneerivad korralikult ja ei kiildu kinni, ning ega mõned osad ei ole katki või sel määral kahjustatud, et võiksid mõjutada seadme töökindlust. Laske kahjustatud osad enne seadme

kasutamist parandada. Paljude

õnnetuste põhjuseks on halvasti hooldatud elektrilised tööriistad.

- f) **Hoidke lõiketarvikud teravad ja puhtad.** Hoolikalt hoitud, teravate lõikeservadega lõiketarvikud kiilduvad harvemini kinni ja neid on lihtsam juhtida.
- g) **Kasutage elektrilist tööriista, lisavarustust, tarvikuid jne vastavalt siintoodud juhistele.** Arvestage seejuures töötajate ja teostatava töö iseloomuga. Elektriliste tööriistade kasutamine mitte ettenähtud otstarbel võib põhjustada ohtlikke olukordi.
- h) **Hoidke käepidemed ja haardepinnad kuiva ja puhtana ning vabana õlist ja määrdeainetest.** Libedad käepidemed ja haardepinnad ei luba tööriista ohutult käsitseda ja ootamatutes olukordades kontrolli all hoida.
- 5) **AKUTÖÖRIISTADE HOOLIKAS KÄSITSEMINE JA KASUTAMINE**
- a) **Laadige akusid ainult tootja poolt soovitatud akulaadijatega.** Akulaadija, mis sobib teatud tüüpi akudele, muutub tuleohtlikuks, kui seda kasutatakse teiste akudega.
- b) **Kasutage elektrilistes tööriistades ainult selleks ettenähtud akusid.** Teiste akude kasutamine võib põhjustada vigastusi ja tulekahjuohtu.
- c) **Hoidke kasutusel mitteolevad akud eemal kirjaklambritest, müntidest, võtmetest, naeltest, kruvidest või teistest väikestest metalliesemetest, mis võivad kontaktid omavahel ühendada.** Akukontaktide vahel tekkiva lühise tagajärjeks võivad olla põletused või tulekahju.
- d) **Väärkasutuse korral võib akuvedelik välja voolata.** Vältige sellega kokkupuudet. Juhusliku kokkupuute korral loputage kahjustatud kohta veega. Kui vedelik satub silma, pöörduge lisaks arsti poole. Väljavoolav akuvedelik võib põhjustada nahaärritusi või põletusi.
- e) **Ärge kasutage akut ega tööriista, mis on kahjustatud saanud**

või mida on modifitseeritud.

Kahjustada saanud või modifitseeritud akud võivad põhjustada tulekahju, plahvatuse, kehavigastusi ja varalisi kahju.

- f) **Kaitske akut ja elektrilist tööriista leekide ja väga kõrgete temperatuuride eest.** Kokkupuude leekidega või üle 130°C temperatuuriga võib põhjustada plahvatuse.

- g) **Järgige kõiki laadimisjuhiseid ja ärge laadige akut väljaspool juhistes määratletud temperatuurivahemikku.** Nõuetele mittevastav laadimine või laadimine väljaspool ettenähtud temperatuurivahemikku võib akut kahjustada ja suurendada tulekahju ohtu.

6) TEENINDUS

- a) **Laske seadet parandada ainult kvalifitseeritud spetsialistidel ja ainult originaalvaruosadega.** Nii tagate seadme püsimise turvalisena.
- b) **Ärge kunagi käideldge kahjustada saanud akusid.** Akusid võivad käidelda vaid tootja esindajad või volitatud hooldekeskuse töötajad.

OHUTUSJUHISED AKUKRUVIKEERAJA KOHTA

ÜLDIST

- **Asbestisisaldava materjali töötlemine on keelatud** (asbest võib tekitada vähki)
- Värviga kaetud juhtmed, mõned puiduliigid, mineraalid ja metall eraldavad tolmu, mis võib olla kahjulik (kokkupuude tolmuuga või selle sissehingamine võib seadme kasutajal või läheduses viibivatel inimestel põhjustada allergilisi reaktsioone ja/või hingamisteede haigusi); **kandke tolumaski ja vajaduse korral töötage külgeühendatava tolmueemaldusseadmega**
- Teatud tüüpi tolm on klassifitseeritud kantserogeensena (nt tammest ja kasest eralduv tolm), eriti koos puidu niiskuse reguleerimiseks kasutatavate lisanditega; **kandke tolumaski ja vajaduse korral**

töötage külgeühendatava tolmueemaldusseadmega

- Erinevate materjalide töötlemisel tekkiva tolmu käitlemisel tuleb järgida kehtivaid nõudeid
- Ärge jätke tööriista/laadijat vihma kätte
- Ärge kunagi monteerige laadijat või tööriista lahti
- Enne seadistustööde tegemist seadme kallal ning tarvikute vahetust, samuti enne seadme transportimist ja hoiustamist veenduge, et lüliti E ② oleks keskasendis (lukustatud asendis)

LAADIMINE/AKUD

- Kasutage selle tööriistaga ainult SKIL laadijat 2610Z07379

- **Üle 8 aasta vanused lapsed ja isikud, kelle füüsilised või vaimsed võimed on piiratud või kellel puuduvad seadme kasutamiseks vajalikud teadmised ja kogemused, tohivad laadimisseadet kasutada vaid siis, kui nende üle teostatakse järelevalvet või kui neile on antud täpsed juhised laadimisseadme ohutuks**

käsitsemiseks ja kui nad mõistavad seadmega kaasnevaid ohte

(vastasel korral tekib valest käsitsemisest põhjustatud kehavigastuste ja varalise kahju oht)

- **Ärge jätke lapsi järelevalveta** (seeläbi tagate, et lapsed ei hakka akulaadijaga mängima)
- **Lapsed tohivad akulaadimisseadet hooldada ja puhastada vaid täiskasvanute järelevalve all**

- Ärge kasutage kahjustatud laadijaid
- Ümbritseva keskkonna lubatud temperatuur (tööriista/laadijat/akut):
 - laadimisel 4...40°C
 - töötamisel -20...+50°C
 - säilitamisel -20...+50°C

TARVIKUD

- SKIL tagab seadme häireteta töö üksnes originaaltarvikute kasutamisel

ENNE KASUTAMIST

- Kontrollige alati, kas võrgupinge ühtib laadija andesildil toodud pingega
- Vältige töödeldavas esemes olevatest kruvidest, naeltest vms põhjustatud kahjustusi; eemaldage need enne töö alustamist
- **Fikseerige toorik** (fiksaatoriga kinnitatud või kruustangide vahele pandud toorik püsib kindlamini paigal

kui lihtsalt käega hoides)

- **Varjatult paiknevate elektrijuhtmete, gaasi- või veetorude avastamiseks kasutage sobivaid otsimisseadmeid või pöörduge kohaliku elektri-, gaasi- või vee-ettevõtte poole** (kokkupuutel elektrijuhtmetega tulekahju- ja elektrilöögi oht; gaasitorustiku vigastamisel plahvatusoht; veetorustiku vigastamisel materiaalne kahju või elektrilöögi oht)

KASUTAMISE AJAL

- **Kui teostate töid, mille puhul võib tarvik või kruvi tabada varjatud elektrijuhtmeid, hoidke seadet ainult isoleeritud käepidemetest** (kontakt pingele all oleva elektrijuhtmega võib pingestada seadme metallosad ja põhjustada elektrilöögi)
- Kui seade töötab ebaharilikult või teeb kummalist müra, lülitage see viivitamatult välja või tõmmake laadija pistik pistikupesast välja

TÖÖRIISTAL/LAADIJAL OLEVATE SÜMBOLITE SELGITUS

- ③ Enne kasutamist tutvuge kasutusjuhendiga
- ④ Kasutage laadijat ainult sisetingimustes
- ⑤ Topeltisolatsioon (maandusjuhe pole vajalik)
- ⑥ Laadija valede pooluste ühendamine on ohtlik (kasutage aku laadimiseks ainult kaasasolevat laadijat)
- ⑦ Ärge visake kasutuskõlbmatuks muutunud elektrilisi tööriistu ja patareisid ära koos olmejäätmetega

KASUTAMINE

- Aku laadimine ⑧
 - ! **uus või pikemat aega kasutamata aku saavutab täisvõimsuse alles umbes 5 laadimis-/tühjenemistsükli järel**
 - ühendage akulaadija A nii seinakontakti kui ka ühenduspessa B
 - indikaator C muutub ROHELISEKS, näidates, et akut laaditakse
 - kui aku on täis, kustub indikaator C (umbes 3 tunnilist)
 - liitium-ioon-akut võib igal ajal

- laadida (laadimise katkestamine ei kahjusta akut)
- liitium-ioon aku ei pea enne laadimist täielikult tühi olema (puudub nikkel-kaadmiumakudele omane "mälu efekt")
- tööriista ei ole võimalik laadimise ajal kasutada; tööriista ei ole seetõttu defektne, et see laadimise ajal ei tööta
- kui Te tööriista pikemat aega ei kasuta, on soovitatav tõmmata laadija pistik pistikupesast välja
- Sisse/välja ⑨
- Pöörlemissuuna ümberlülitamine ⑩
 - kui lüliti ei ole korralikult fikseerunud vasakus/paremas asendis, ei ole võimalik töölülitile D ② vajutada
- ! **pöörlemissuunda tohib muuta üksnes siis, kui seade on täielikult seiskunud**
- Otsakute vahetamine ⑪
 - lükake otsak täielikult hoidiki G
- ! **ärge kasutage kahjustatud varrage otsakuid**
- Automaatne spindlilukustus
Võimaldab kruve vajadusel käsitsi sisse ja välja keerata ⑫
- LED-märgutuli ⑬
LED-märgutuli H automaatselt, kui aktiveerimislüliti D või isegi kui lüliti E on keskmises (lukustatud) asendis
- Otsakuhoidik J ②
Esiosas on ruumi 2 otsakule
- Aku laetuse astme indikaator
Kui indikaator C ② osaliselt allavajutatud lüliti D ② korral süttib PUNASE tulega, on aku mahtuvus langenud alla 30% ja akut on vaja laadida
- Käepideme kaks asendit ⑭
- Aku kaitse
Lülitab seadme automaatselt välja, kui aku temperatuur on liiga kõrge (> +65°C)
liitium-ioonaku on peaaegu tühi (et kaitsta ülemäärase tühjenemise eest)

TÖÖJUHISED

- Kasutage sobivaid otsakuid ⑮
- ! **ärge kasutage kahjustatud otsakuid**
- ! **kasutage üksnes kuuskantsabaga otsakuid**

- Krugi keeramisel puidu otsapiirkonda on soovitatav auk ette puurida, et vältida puidu lõhenemist
- Tööriista optimaalseks kasutamiseks on vajalik pidev surve kruvile, eriti krugi väljakeeramisel
- Krugi keeramisel kõvasse puitu on soovitatav auk ette puurida
- Lisateavet lugege aadressilt www.skil.com

HOOLDUS/TEENINDUS

- Tööriist pole mõeldud professionaalseks kasutamiseks
- Hoidke tööriist ja laadija puhtad
- ! **enne laadija puhastamist tõmmake selle pistik pistikupesast välja**
- Tööriist/laadijat on hoolikalt valmistatud ja testitud; kui tööriist/laadijat sellest hoolimata rikki läheb, tuleb see lasta parandada SKILi elektriliste käsitööriistade volitatud remonditöökojas
 - saatke tööriist või laadija **lahtimonteeritud** koos ostukviitungiga tarnijale või lähimasse SKILi lepingulisest töökotta (aadressid ja tööriista varuosade joonise leiata aadressilt www.skil.com)
- Arvestage sellega, et garantii ei hõlma seadme ülekoormamisest või ebaõigest käsitsemisest tulenevaid kahjustusi (teavet SKILi garantiitingimuste kohta vaadake veebilehelt www.skil.com või küsige kohalikult müügiesindajalt)

KESKKOND

- **Ärge visake kasutuskõlbmatuks muutunud elektrilisi tööriistu, lisatarvikuid ja pakendeid ära koos olmejäätmetega** (üksnes EL liikmesriikidele)
 - vastavalt Euroopa Parlamendi ja nõukogu direktiivile 2012/19/EÜ elektri- ja elektroonikaseadmete jäätmete kohta ning direktiivi nõuete kohaldamisele liikmesriikides tuleb kasutuskõlbmatuks muutunud elektrilised tööriistad koguda eraldi ja keskkonnasäästlikult

- korduvkasutada või ringlusse võtta
- seda meenutab Teile sümbol ⑦

! enne tööriist äraviskamist eemaldage patareid

- Patareide eemaldamine/utiliseerimine ⑩

! eemaldage patareid vaid siis, kui need on täiesti tühjad

- katke patareiklemmid kaitseks tugeva teibiga, et vältida lühise teket
- utiliseerimiseks viige patareid vastavasse ametlikku kogumispunkti

! tulle visatud akud plahvatavad, seepärast ei tohi akut mingil põhjusel põletada

MÜRA / VIBRATSIOON

- Vastavalt kooskõlas normiga EN 60745 läbi viidud mõõtmistele on tööriista helirõhk <70 dB(A) (standardkõrvalekalle: 3 dB) ja vibratsioon <2,5 m/s² (kolme telje vektorsumma; mõõtemääramatus K = 1,5 m/s²)
 - Tekkiva vibratsiooni tase on mõõdetud vastavalt standardis EN 60745 kirjeldatud standarditud testile; seda võib kasutada tööriistade võrdlemiseks ja tööriista kasutamisel ettenähtud töödeks esineva vibratsiooni esialgseks hindamiseks
 - tööriista kasutamisel muudeks rakendusteks või teiste/halvasti hooldatud tarvikute kasutamisel võib vibratsioon märkimisväärselt **suurened**
 - ajal, kui tööriist on väljalülitatud või on küll sisselülitatud, kuid tegelikult seda ei kasutata, võib vibratsioon märkimisväärselt **vähened**
- ! enda kaitsmiseks vibratsiooni eest hooldage tööriista ja selle tarvikuid korralikult, hoidke oma käed soojad ja tagage sujuv töökorraldus**

LV

Akumulatora skrüvgriezis

2710

IEVADS

- Šis instruments ar pārslēdzamu darbvārpstas griešanās virzieni ir paredzēts skrūvju ieskrūvēšanai un priekšurbumu veidošanai kokā
- Šis darbarīks nav paredzēts profesionālai lietošanai
- Izlasiet un saglabājiet šo pamācību ③

TEHNISKIE PARAMETRI ①

Maks. griezes moments cietam skrūvēšanas režīmam atbilstoši standartam ISO 5393 : 7Nm

INSTRUMENTA ELEMENTI ②

- A** Uzlādes ierīce
- B** Lādētāja pieslēgvietā
- C** Akumulatora uzlādes pakāpes indikators
- D** Ieslēgšanas/izslēgšanas slēdzis
- E** Griešanās virziena pārslēdzējs
- F** Šarnīra atbloķēšanas poga
- G** Magnētisks darbinstrumenta turētājs
- H** Gaismas indikators
- J** Uzglabāšana bitiem

DROŠĪBA

VISPĀRĒJIE NOTEIKUMI ELEKTROINSTRUMENTU DROŠAI LIETOŠANAI

! BRĪDINĀJUMS Iepazīstieties ar visiem šī elektroinstrumenta drošas lietošanas noteikumiem, norādījumiem, attēliem un specifiskācijām. Visu turpmāk sniegtu norādījumu neizpildes rezultātā lietotājs var ciest no elektrošoka, var izvērsties ugunsnelaime un/vai rasties smagi ievainojumi.

Saglabājiet visus noteikumus un norādījumus turpmākai atsaucei.

Noteikumos minētais termins "elektroinstrumenti" nozīmē ar strāvu darbināmu (ar vadu aprīkotu) vai ar akumulatoru darbināmu (bezvadu) elektroinstrumentu.

1) DROŠĪBA DARBA VIETĀ

- a) **Seko jiet, lai darba vieta būtu tīra un sakārtota.** Nekārtīgā darba vietā vai sliktā apgaismojumā var viegli notikt nelaimes gadījums.
- b) **Nelietojiet elektroinstrumentu eksplozīvu vai ugunsnedrošu vielu tuvumā un vietās ar paaugstinātu gāzes vai putekļu saturu gaisā.** Darba laikā instruments nedaudz dzirkstejo, un tas var izsaukt viegli degošu putekļu vai tvaiku aizdegšanos.
- c) **Lietojot elektroinstrumentu, neļaujiet nepiederošām personām un jo īpaši bērniem tuvoties darba vietai.** Citu personu klātbūtne var novērst uzmanību, un tā rezultātā jūs varat zaudēt kontroli pār instrumentu.

2) ELEKTRODROŠĪBA

- a) **Elektroinstrumenta kontaktdakšai jābūt piemērotai elektrotīkla kontaktlīgzdai.** Kontaktdakšas konstrukciju nedrīkst nekādā veidā mainīt. Nelietojiet kontaktdakšas salāgotājus, ja elektroinstrumenti caur kabeli tiek savienoti ar aizsargzemējuma ķēdi. Neizmainītas konstrukcijas kontaktdakša, kas piemērota kontaktlīgzdai, ļauj samazināt elektriskā trieciena saņemšanas risku.
- b) **Darba laikā nepieskarieties sazemētiem priekšmetiem, piemēram, caurulēm, radiatoriem, plītiņiem vai ledusskapjiem.** Pieskaroties sazemētām virsmām, pieaug risks saņemt elektrisko triecienu.
- c) **Nelietojiet elektroinstrumentu lietus laikā, neturiet to mitrumā.** Mitrumam iekļūstot instrumentā, pieaug risks saņemt elektrisko triecienu.
- d) **Nenesiet un nepiekariet**

elektroinstrumentu aiz elektrokabeļa. Neraujiet aiz kabeļa, ja vēlaties atvienot instrumentu no elektrotīkla kontaktlīgzdas.

Sargājiet elektrokabeli no karstuma, eļļas, asām šķautnēm un instrumenta kustīgajām daļām.

Bojāts vai samezģlojies elektrokabelis var būt par cēloni elektriskajam triecienam.

- e) **Darbinot elektroinstrumentu ārpus telpām, izmantojiet tā pievienošanai vienīgi tādus pagarinātājkabeļus, kuru lietošana ārpus telpām ir atļauta.** Lietojot elektrokabeli, kas piemērots darbam ārpus telpām, samazinās risks saņemt elektrisko triecienu.
 - f) **Ja elektroinstrumentu tomēr nepieciešams lietot vietās ar paaugstinātu mitrumu, izmantojiet tā pievienošanai noplūdes strāvas aizsargreleju.** Lietojot noplūdes strāvas aizsargreleju, samazinās risks saņemt elektrisko triecienu.
- ### 3) PERSONISKĀ DROŠĪBA
- a) **Darba laikā saglabājiet paškontroli un rīkojieties saskaņā ar veselo saprātu.** Pārtrauciet darbu, ja jūtaties noguris vai atrodaties alkohola, narkotiku vai medikamentu izraisītā reibumā. Strādājot ar elektroinstrumentu, pat viens neuzmanības mirklis var būt par cēloni nopietnam savainojumam.
 - b) **Izmantojiet individuālos darba aizsardzības līdzekļus un darba laikā vienmēr nēsājiet aizsargbrilles.** Individuālo darba aizsardzības līdzekļu (putekļu maskas, neslīdošu apavu un aizsargķiveres vai ausu aizsargu) pielietošana atbilstoši elektroinstrumenta tipam un veicamā darba raksturam ļauj izvairīties no savainojumiem.
 - c) **Nepieļaujiet elektroinstrumenta patvaļīgu ieslēģšanos.** Pirms elektroinstrumenta pievienošanas elektrotīklam, akumulatora ievietošanas vai izņemšanas, kā arī pirms elektroinstrumenta pārņemšanas pārlicinieties, ka tas ir izslēģts. Pārnesot elektroinstrumentu, ja pirksts atrodas uz ieslēģdzēja, kā arī pievienojot to

elektrobarošanas avotam laikā, kad elektroinstrumenti ir ieslēgti, var viegli notikt nelaimes gadījums.

- d) **Pirms instrumenta ieslēgšanas neaizmirstiet izņemt no tā regulējošos instrumentus vai skrūvjatslēgas.** Patronatslēga vai skrūvjatslēga, kas instrumenta ieslēgšanas brīdī nav izņemta no tā, var radīt savainojumu.
- e) **Strādājot ar elektroinstrumentu, ieturiet stingru stāju.** Darba laikā vienmēr saglabāiet līdzsvaru un centieties nepaslīdēt. Tas atvieglos instrumenta vadību neparedzētās situācijās.
- f) **Izvēlieties darbam piemērotu apģērbu.** Darba laikā nenēsājiet brīvi plandošas drēbes un rotaslietas. Netuviniet garus matus un drēbes elektroinstrumenta kustīgajām daļām. Vaļīgas drēbes, rotaslietas un gari mati var ieķerties instrumenta kustīgajās daļās.
- g) **Ja elektroinstrumenta konstrukcija ļauj tam pievienot ārējo putekļu uzsūkšanas vai savākšanas/uzkrāšanas ierīci, sekojiet, lai tā tiktu pievienota elektroinstrumentam un pareizi darbotos.** Pielietojot putekļu uzsūkšanu vai savākšanu/uzkrāšanu, samazinās to kaitīgā ietekme uz strādājošās personas veselību.
- h) **Nepaļaujieties uz iemaņām, kas tiek iegūtas, bieži lietojot instrumentus, neieslīgstiet pašampierinātībā un neignorējiet instrumenta drošas lietošanas principus.** Neuzmanīgas rīcības dēļ dažās sekundēs daļās var gūt nopietnu savainojumu.
- 4) **ELEKTROINSTRUMENTU LIETOŠANA UN APKOPE**
 - a) **Nepārslogojiet elektroinstrumentu.** Katram darbam izvēlieties piemērotu instrumentu. Elektroinstrumenti darbosies labāk un drošāk pie nominālās slodzes.
 - b) **Nelietojiet elektroinstrumentu, ja ir bojāts tā ieslēdzējs.** Elektroinstrumenti, ko nevar ieslēgt un izslēgt, ir bīstami lietošanai un to nepieciešams remontēt.
 - c) **Pirms elektroinstrumenta**

apkopes, regulēšanas vai darbinstrumenta nomaiņas atvienojiet tā kontaktdakšu no barojošā elektrotīkla vai izņemiet no tā akumulatoru, ja tas ir izņemams. Šādi iespējams samazināt elektroinstrumenta nejausās ieslēgšanās risku.

- d) **Elektroinstrumentu, kas netiek darbināts, uzglabājiet piemērotā vietā, kur tas nav sasniedzams bērniem un personām, kuras neprot rīkoties ar instrumentu.** Ja elektroinstrumentu lieto nekompetentas personas, tas var apdraudēt cilvēku veselību.
- e) **Savlaicīgi apkalpojiet elektroinstrumentus un to piederumus.** Pārbaudiet, vai kustīgās daļas darbojas bez traucējumiem un nav iespilētas, vai kāda no daļām nav salauzta vai bojāta, vai katra no tām pareizi funkcionē un pilda tai paredzēto uzdevumu. Nodrošiniet, lai bojātās daļas tiktu savlaicīgi nomainītas vai remontētas pilnvarotā remontu darbnīcā. Daudzi nelaimes gadījumi notiek tāpēc, ka elektroinstrumentus pirms lietošanas nav pienācīgi apkalpots.
- f) **Savlaicīgi notīriet un uzasiniet griezošos darbinstrumentus.** Rūpīgi kopti instrumenti, kas apgādāti ar asiem griezējinstrumentiem, ļauj strādāt daudz ražīgāk un ir vieglāk vadāmi.
- g) **Lietojiet vienīgi tādus elektroinstrumentus, papildpiederumus, darbinstrumentus utt., kas paredzēti attiecīgajam pielietojuma veidam.** Bez tam jāņem vērā arī konkrētie darba apstākļi un pielietojuma īpatnības. Elektroinstrumentu lietošana citiem mērķiem, nekā to ir paredzējusi ražotājfirma, ir bīstama un var novest pie neparedzamām sekām.
- h) **Uzturiet elektroinstrumenta rokturus un noturvirsmas sausas un tīras, sargājiet tās no eļļas un smērvielām.** Slideni rokturi un noturvirsmas traucē efektīvi rīkoties ar elektroinstrumentu un to droši vadīt

neparedzētās situācijās.

5) AKUMULATORA

ELEKTROINSTRUMENTU LIETOŠANA

- a) **Akumulatora uzlādei lietojiet tikai tādu uzlādes ierīci, ko ir ieteikusi elektroinstrumenta ražotājfirma.** Katra uzlādes ierīce ir paredzēta tikai noteikta tipa akumulatoram, un mēģinājums to lietot cita tipa akumulatoru uzlādei var novest pie uzlādes ierīces un/ vai akumulatora aizdegšanās.
- b) **Pievienojiet elektroinstrumentam tikai tādu akumulatoru, ko ir ieteikusi instrumenta ražotājfirma.** Cita tipa akumulatoru lietošana var novest pie elektroinstrumenta un/vai akumulatora aizdegšanās.
- c) **Laikā, kad akumulators ir atvienots no elektroinstrumenta, nepieļaujiet, lai tā kontakti saskartos ar saspraudēm, monētām, atslēgām, naglām, skrūvēm vai citiem nelieliem metāla priekšmetiem, kas varētu izraisīt īsslēgumu.** Īsslēgums starp akumulatora kontaktiem var izsaukt tā aizdegšanos un būt par cēloni ugunsgrēkam.
- d) **Nepareizi lietojot akumulatoru, no tā var izplūst šķidrās elektrolīts. Nepieļaujiet, ka elektrolīts nonāktu saskarē ar ādu. Ja tas tomēr nejauši ir noticis, noskalojiet elektrolītu ar ūdeni. Ja elektrolīts nonāk acīs, nekavējoties griezties pie ārsta.** No akumulatora izplūdušais elektrolīts var izsaukt ādas iekaisumu vai pat apdegumu.
- e) **Nelietojiet akumulatoru vai elektroinstrumentu, ja tas ir bojāts vai modificēts.** Bojāti vai modificēti akumulatori var radīt neparedzētās situācijas, kuru rezultātā var notikt aizdegšanās vai sprādziens, kā arī var rasties savainojuma risks.
- f) **Neturiet elektroinstrumentu vai akumulatoru uguns tuvumā vai vietā ar augstu temperatūru.** Elektroinstrumenta vai akumulatora atrašanās uguns tuvumā vai vietā, kur temperatūra pārsniedz 130°C, var izraisīt sprādzienu.

- g) **Levērojiet visas uzlādes instrukcijas un neuzlādējiet akumulatoru vai elektroinstrumentu pie temperatūras, kas atrodas ārpus instrukcijā norādīto pieļaujamo temperatūras vērtību diapazona robežām.** Uzlādējot akumulatoru neatbilstošā veidā vai pie temperatūras, kas atrodas ārpus pieļaujamo temperatūras vērtību diapazona robežām, tas var tikt bojāts, kā arī var pieaugt aizdegšanās risks.
- ## 6) APKALPOŠANA
- a) **Nodrošini, lai Instrumenta remontu veiktu kvalificēts personāls, nomainībai izmantojot oriģinālās rezerves daļas un piederumus.** Tikai tā iespējams panākt instrumenta ilgstošu un nevainojamu darbību bez atteikumiem.
 - b) **Nekādā gadījumā neveiciet bojātu akumulatoru apkalpošanu.** Akumulatoru apkalpošanu drīkst veikt tikai ražotājfirma vai pilnvarots servisa speciālists.

DARBA DROŠĪBAS NOTEIKUMI AKUMULATORA SKRŪVGRIEŽIEM

VISPĀRĒJA INFORMĀCIJA

- **Neapstrādājiet materiālus, kas satur azbestu** (azbestam piemīt kancerogēnas īpašības)
- **Materiāla, piemēram svīnu saturošas krāsas, dažu koka šķirņu, minerālu un metāla, putekļi var būt kaitīgi** (saskare ar putekļiem vai to ieelpošana var izraisīt alerģiskas reakcijas un/ vai elpošanas ceļu saslimšanas operatoram vai klātesošajiem); **izmantojiet putekļu masku un putekļsūcēju, ja to iespējams pievienot**
- **Dažu veidu putekļi ir klasificēti kā kancerogēni** (piemēram, ozola vai dižskābarža putekļi), jo īpaši apvienojumā ar koksnes kondicionēšanas piedevām; **izmantojiet putekļu masku un putekļsūcēju, ja to iespējams pievienot**

- Ievērojiet ar putekļu savākšanu saistītos nacionālos noteikumus, kas attiecas uz apstrādājamajiem materiāliem
- Neatstājiet instrumentu vai uzlādes ierīci lietū
- Nemēģiniet izjaukt uzlādes ierīci vai instrumentu
- Pirms regulēšanas vai piederumu nomaiņas, kā arī, pārnesot vai uzglabājot instrumentu, pārliecinieties, ka tā pārslēdzējs E ② atrodas vidējā (neitrālā) stāvoklī

UZLĀDE/AKUMULATORI

- Ar šo instrumentu lietojiet tikai SKIL lādētājs 2610Z07379
- **Šo uzlādes ierīci var lietot bērni no 8 gadu vecuma un personas ar ierobežotām fiziskajām, sensorajām vai garīgajām spējām, kā arī personas ar nepietiekošu pieredzi un zināšanām pie nosacījuma, ka darbs notiek par viņu drošību atbildīgas personas uzraudzībā vai arī šī persona sniedz norādījumus par drošu apiešanos ar uzlādes ierīci**

un informē par briesmām, kas saistītas ar tās lietošanu (pretējā gadījumā pastāv savainošanās briesmas elektroinstrumenta nepareizas lietošanas dēļ)

- **Uzraugiet bērnus** (tas ļaus nodrošināt, lai bērni nerotaļātos ar uzlādes ierīci)
- **Bērni nedrīkst veikt uzlādes ierīces tīrīšanu un apkalpošanu bez pieaugušo uzraudzības**
 - Nelietojiet bojātu uzlādes ierīci
 - Pieļaujama apkārtējā gaisa temperatūra (instruments/lādētājs/akumulators):
 - uzlādes laikā 4...40°C
 - darba laikā -20...+50°C
 - uzglabāšanas laikā -20...+50°C

PIEDERUMI

- Firma SKIL garantē instrumenta nevainojamu darbību tikai tad, ja tiek lietoti oriģinālie papildpiederumi

PIRMS DARBA UZSĀKŠANAS

- Vienmēr pārliecinieties, ka spriegums, kas uzrādīts uz uzlādes ierīces marķējuma plāksnītes, atbilst padeves spriegumam elektrotīklā
- Izvairieties no instrumenta bojājumiem, ko var radīt apstrādājamajā priekšmetā esošās skrūves, naglas vai citi līdzīgi objekti;

pirms darba uzsākšanas atbrīvojiet apstrādājamo materiālu no šādiem priekšmetiem

- **Nostipriniet apstrādājamo detaļu** (to ir drošāk nostiprināt ar spailēm vai skrūvspilēm, nevis turēt rokā)
- **Ar piemērota metālmeklētāja palīdzību pārbaudiet, vai apstrādes vietu nešķērso slēptas elektropārvades līnijas, kā arī gāzes vai ūdens caurules; šaubu gadījumā griezieties vietējā komunālās saimniecības iestādē** (darbinstrumentam skarot elektrotīkla fāzes līniju, var izcelties ugunsgrēks un strādājošais var saņemt elektrisko triecienu; gāzes vada bojājums var izraisīt sprādzienu; darbinstrumentam skarot ūdensvada cauruli, var tikt bojātas materiālās vērtības un strādājošais var saņemt elektrisko triecienu)

DARBA LAIKĀ

- **Veicot darbu, kura laikā darbinstruments vai skrūve var skart slēptus elektriskos vadus, turiet instrumentu tikai aiz izolētajām virsmām** (darbinstrumentam skarot spriegumnesošus vadus, spriegums nonāk arī uz instrumenta metāla daļām un var būt par cēloni elektriskajam triecienam)
- Mehāniska vai elektriska rakstura kļūmes gadījumā nekavējoties izslēdziet instrumentu vai atvienojiet uzlādes ierīci no barojošā elektrotīkla

UZ INSTRUMENTA/LĀDĒTĀJA ATTĒLOTO SIMBOLU SKAIDROJUMS

- ③ Pirms izstrādājuma lietošanas izlasiet tā lietošanas pamācību
- ④ Uzlādes ierīci drīkst lietot tikai telpās
- ⑤ Divkārsa izolācija (nav jālieto zemējuma vads)
- ⑥ Lādētāja savienojuma nepareiza polaritāte var nodarīt kaitējumu (lādējiet akumulatoru tikai ar komplektācijā esošo lādētāju)
- ⑦ Neizmetiet elektroiekārtas un baterijas ar sadzīves materiālus atkritumu

DARBS

- Akumulatora uzlādēšana ⑧
! jaunam vai ilgāku laiku

nelietotam akumulatoram ietilpība pilnībā atjaunojas tikai pēc aptuveni 5 uzlādes/izlādes cikliem

- lādētāju A pievienojiet sienas kontaktligzdai, pēc tam – pieslēgvietai B
- iedegsies ZAĻO indikators C, lai norādītu, ka akumulators tiek lādēts
- kad akumulators būs pilnībā uzlādēts, tiek izslēgti indikators C (aptuveni pēc 3 stundām)
- litija-jona akumulatoru var uzlādēt jebkurā brīdī (uzlādes procesa pārtraukšana nebojā akumulatoru)
- litija jonu akumulators nav jāiztukšo pirms uzlādēšanas (tam nav "atmiņas efekta", kā tas ir niķeļa kadmija akumulatoriem)
- instrumentu uzlādes laikā nevar darbināt; tas nav defekts, ja instruments uzlādes laikā nedarbojas
- ja ir paredzams, ka instruments ilgāku laiku netiks izmantots, uzlādes ierīces elektrokabelis jāatvieno no barojošā elektrotīkla
- Ieslēgšana/izslēgšana ⑨
- Griešanās virziena pārslēgšana ⑩
 - ja darbvārpstas griešanās virziena pārslēdzējs nav precīzi iestādīts galējā labējā/kreisajā stāvoklī, ieslēdzēju D ② nav iespējams nospiest
- ! pārslēdziet darbvārpstas griešanās virzienu tikai tad, kad instruments ir pilnībā apstājies**
- Darbinstrumentu nomaīņa ⑪
 - iebīdīet darbinstrumenta kātu līdz galam darbinstrumenta turētājā G
- ! neizmantojiet darbinstrumentus ar bojātu kātu**
- Automātiskā instrumenta darbvārpstas bloķēšana
 - Ļauj izmantot instrumentu kā parasto skrūvgriezi, kad nepieciešams skrūves pievilkt stingrāk vai palaist vaļīgāk ⑫
- Gaismas indikators ⑬
 - LED gaisma H automātiski iedegas, kad aktivizē slēdzi D, pat ja slēdzis E atrodas vidus (bloķēšanas) stāvoklī
- Uzglabāšana bitiem J ②
 - Ļauj glabāt 2 urbjus priekšā
- Akumulatora uzlādes pakāpes indikators

Ja indikators C ② iedegas SARKANĀ krāsā, līdz pusei nospiežot ieslēdzēju D ②, akumulatorā ir atlicis ne vairāk, kā 30% no sākotnējās enerģijas, un to nepieciešams uzlādēt

- Divi roktura stāvokļi ⑭
- Akumulatora aizsardzība
Instrumenta automātiski izslēdzas, ja akumulatora temperatūra ir pārāk liela (> +65°C)
Ietiņa jonu akumulators ir gandrīz tukšs (lai aizsargātu pret dziļo izlādi)

PRAKTISKI PADOMI

- Lietojiet tikai tādus darbinstrumentus, kuru tips atbilst apstrādājamajam materiālam ⑮
- ! **neizmantojiet bojātus darbinstrumentus**
- ! **izmantojiet tikai darbinstrumentus ar sešstūra formas kātu**
- Veicot skrūves ieskrūvēšanu tuvu koka priekšmeta vai konstrukcijas malai, vispirms ieteicams ieurbt atvērumu, lai novērstu koksnes plaisāšanu
- Lai instrumentus tiktu izmantots optimālā režīmā, ieturiet pastāvīgu spiedienu uz skrūves galvu, īpaši tad, ja skrūve tiek izskrūvēta
- Veicot skrūves ieskrūvēšanu cietā koksnē, vispirms ieurbiet atvērumu
- Papildu informāciju skatīt tīmekļa vietnē www.skil.com

APKALPOŠANA / APKOPE

- Šis darbarīks nav paredzēts profesionālai lietošanai
- Uzturiet tīru instrumentu un uzlādes ierīci
- ! **pirms uzlādes ierīces tīrīšanas atvienojiet to no elektrotīkla**
- Ja, neraugoties uz augsto izgatavošanas kvalitāti un rūpīgo pēcražošanas pārbaudi, instruments vai uzlādes ierīce tomēr sabojājas, tas jānogādā remontam firmas SKIL pilnvarotā elektroinstrumentu remonta darbnīcā
 - nogādājiet instrumentu vai uzlādes ierīci **neizjauktā veidā** kopā ar iegādes dokumentiem tuvākajā tirdzniecības vietā vai

firmas SKIL pilnvarotā piegādes apkalpošanas un remonta iestādē (adreses un instrumenta apkalpošanas shēma ir sniegta interneta vietnē www.skil.com)

- Ievērojiet, ka garantijā neietilpst pārslodzes vai nepareizas instrumenta ekspluatācijas izraisītie bojājumi (SKIL garantijas noteikumus skatiet www.skil.com vai vērsieties pie izplatītāja)

APKĀRTĒJĀS VIDES AIZSARDZĪBA

- **Neizmetiet elektroiekārtas, piederumus un iesaiņojuma materiālus sadzīves atkritumos** (tikai ES valstīm)
 - saskaņā ar Eiropas Savienības direktīvu 2012/19/ES par nolietotajām elektriskajām un elektroniskajām iekārtām un tās atspoguļojumiem nacionālajā likumdošanā, nolietotās elektroiekārtas ir jāsavāc, jāizjauc un jānogādā otrreizējai pārstrādei apkārtējai videi nekaitīgā veidā
 - īpašs simbols ⑦ atgādina par nepieciešamību izstrādājumu utilizēt videi nekaitīgā veidā
- ! **pirms instrumentu nodošanas atkritumos izņemiet akumulatorus**
- Akumulatoru izņemšana/nodošana atkritumos ⑯
 - ! **izņemiet tikai pilnīgi tukšus akumulatorus**
 - lai novērstu īsslēgumu, akumulatoru spaiļes notiniet ar izolācijas lentu
 - akumulatorus nododiet oficiālā akumulatoru savākšanas punktā
 - ! **ja akumulators tiks dedzināts, tas eksplodēs, tāpēc nekādā gadījumā to nededziniet**

TROKSNIS / VIBRĀCIJA

- Saskaņā ar standartu EN 60745 noteiktais instrumenta radītā trokšņa skaņas spiediena līmenis ir <70 dB(A) (pie tipiskās izkliedes: 3 dB) un vibrācijas paātrinājums ir <2,5 m/s² (vektoru summa trijos virzienos; izkliede K = 1,5 m/s²)

- Vibrācijas līmenis ir noteikts, izmantojot standartā EN 60745 paredzēto procedūru; to var izmantot, lai salīdzinātu instrumentus un provizoriski izvērtētu vibrācijas iedarbību, lietojot instrumentu minētajiem mērķiem
 - instrumenta izmantošana citiem mērķiem vai ar citiem vai nepietiekami koptiem piederumiem var ievērojami **palielināt** kopējo vibrācijas iedarbības pakāpi
 - laika periodi, kad instruments ir izslēgts vai arī ir ieslēgts, taču darbs ar to nenotiek, var ievērojami **samazināt** kopējo vibrācijas iedarbības pakāpi
- ! **pasargājiet sevi no vibrācijas iedarbības, veicot instrumenta un tā piederumu tehnisko apkopi, novēršot roku atdzišanu un pareizi organizējot darbu**

LT

**Akumulatorinis
suktavas 2710**

ĪVADAS

- Šis ģrankis, turintis reverso funkciju, skirtas varžtams sukti ir pirmīniam ģgrēžimui medienojē
- Šis ģrankis neskirtas profesionaliam naudojimui
- Perskaitykite ir išsaugokite šią naudojimo instrukciją ③

TECHNINIAI DUOMENYS ①

Maks. sukimo momentas kietosios jungties atveju pagal ISO 5393 : 7Nm

PRIETAISO ELEMENTAI ②

- A ģkroviklis
- B ģkroviklio prijungimo lizdas
- C Akumulatoriaus ģkrovos indikatorius
- D ģjungimo/išjungimo jungiklis
- E Sukimosi krypties perjungiklis
- F Sukamoji atrakinimo rankenėlė
- G Magnetinis antgalių laikiklis
- H Šviesos diodas
- J Antgalių dėklas

SAUGA

BENDRIEJI ELEKTRINIŲ ĮRANKIŲ SAUGOS ĮSPĖJIMAI

⚠ ĮSPĖJIMAS Perskaitykite visus su šiuo elektriniu prietaisu pateiktus saugos perspėjimus, instrukcijas, paveikslėlius ir specifikacijas. Nepaisant toliau pateiktų instrukcijų galite patirti elektros smūgį, įvykti gaisras ir / ar patirti rimtų sužalojimų.

Išsaugokite visus įspėjimus ir instrukcijas ateičiai.

Terminas „elektros įrankis“ įspėjimuose reiškia jūsų iš elektros tinklo (laidais) maitinamus įrankius arba elektros įrankius, veikiančius nuo baterijų (belaidžius).

1) DARBO VIETOS SAUGUMAS

- a) **Darbo vieta turi būti švari ir tvarkinga.** Tvarka ar blogai apšviesta darbo vieta gali tapti nelaimingų atsitikimų priežastimi.
- b) **Nedirbkite tokioje aplinkoje, kur yra degių skysčių, dujų ar dulkių.** Elektriniai įrankiai gali kibirkščiuoti, o nuo kibirkščių dulkės arba susikaupę garai gali užsidegti.
- c) **Dirbdami su elektriniu įrankiu neleiskite šalia būti žiūrovams, vaikams ir lankytojams.** Nukreipę dėmesį į kitus asmenis galite nebesuvaldyti prietaiso.

2) ELEKTROSAUGA

- a) **Maitinimo laido kištukas turi atitikti tinklo rozetės tipą. Kištuko jokiū būdu negalima modifikuoti. Nenaudokite jokių kištuko adapterių su įžemintais prietaisais.** Originalūs kištukai, tiksliai tinkantys elektros tinklo rozetei, sumažina elektros smūgio pavojų.
- b) **Venkite kūno kontakto su įžemintais paviršiais, tokiais kaip vamzdžiai, šildytuvai, viryklės ar šaldytuvai.** Egzistuoja padidinta elektros smūgio rizika, jei Jūsų kūnas bus įžemintas.
- c) **Saugokite prietaisą nuo lietaus ir drėgmės.** Jei vanduo patenka į

elektrinį prietaisą, padidėja elektros smūgio rizika.

- d) **Nenaudokite maitinimo laido ne pagal paskirtį, t. y. neneškite prietaiso paėmę už laido, nekabinkite prietaiso už laido, netraukite už jo, norėdami išjungti kištuką iš rozetės. Laidą klokite taip, kad jo neveiktų karštis, jis neišsitemptų alyva ir jo nepažeistų aštrios detalės ar judančios prietaiso dalys.** Pažeisti arba susipynę laidai gali tapti elektros smūgio priežastimi.
 - e) **Jei su elektriniu įrankiu dirbate lauke, naudokite tik tokius ilginimo kabelius, kurie tinka lauko darbams.** Naudojant lauko darbams pritaikytus ilginimo kabelius, sumažinamas elektros smūgio pavojus.
 - f) **Jei su elektriniu įrankiu neišvengiamai reikia dirbti drėgnoje aplinkoje, naudokite įžeminimo grandinės pertraukiklį.** Naudojant įžeminimo grandinės pertraukiklį, sumažėja elektros smūgio pavojus.
- 3) ŽMONIŲ SAUGA**
- a) **Būkite atidūs, sutelkite dėmesį į tai, ką Jūs darote ir, dirbdami su elektriniu įrankiu, vadovaukitės sveiku protu. Nedirbkite su prietaisu, jei esate pavargę arba vartojote narkotikus, alkoholį ar medikamentus.** Akimirksnio neatidumas naudojant prietaisą gali tapti rimtą sužalojimų priežastimi.
 - b) **Naudokite asmenines apsaugos priemones ir visuomet užsidėkite apsauginius akinius.** Naudojant asmenines apsaugos priemones, pvz., respiratorių ar apsauginę kaukę, neslystančius batus, apsauginį šalną, klausos apsaugos priemones ir kt., rekomenduojamas dirbant su tam tikros rūšies įrankiais, sumažėja rizika susižeisti.
 - c) **Saugokitės, kad neįjungtumėte prietaiso atsitiktinai. Prieš prijungdami elektrinį įrankį prie elektros tinklo ir/arba akumuliatoriaus, prieš pakeldami ar nešdami įsitikinkite, kad jis yra išjungtas.** Jeigu nešdami elektrinį

įrankį pirštą laikysite ant jungiklio arba prietaisą įjungsite į elektros tinklą, kai jungiklis yra įjungtas, gali įvykti nelaimingas atsitikimas.

- d) **Prieš įjungdami prietaisą pašalinkite reguliavimo įrankius arba veržlių raktus.** Prietaiso besisukančioje dalyje esantis įrankis ar raktas gali tapti sužalojimų priežastimi.
 - e) **Nepervertinkite savo galimybių. Dirbdami atsistokite patikimai ir visada išlaikykite pusiausvyrą.** Patikima stovėseną ir tinkamą kūno laikyseną leis geriau kontroliuoti prietaisą netikėtose situacijose.
 - f) **Dėvėkite tinkamą aprangą. Nedėvėkite plačių drabužių ir papuošalų. Saugokite plaukus ir drabužius nuo besisukančių elektrinio įrankio dalių.** Laisvus drabužius, papuošalus bei ilgus plaukus gali įtraukti besisukančios dalys.
 - g) **Jei yra numatyta galimybė prijungti dulkių nusiurbimo ar surinkimo įrenginius, visada įsitikinkite, ar jie yra prijungti ir ar teisingai naudojami.** Naudojant dulkių nusiurbimo įrenginius sumažėja kenksmingas dulkių poveikis.
 - h) **Dažnai naudodami įrankį ir gerai su juo susipažinę pernelyg neatsipalaiduokite ir nepradėkite nepaisyti įrankio saugos principų.** Neatidus veiksmas gali sukelti sunkią traumą per sekundės dalį.
- 4) RŪPĖSTINGA ELEKTRINIŲ ĮRANKIŲ PRIEŽIŪRA IR NAUDOJIMAS**
- a) **Neperkraukite prietaiso. Naudokite Jūsų darbui tinkamą elektrinį įrankį.** Su tinkamu elektriniu įrankiu Jūs dirbsite geriau ir saugiau, jei neviršysite nurodyto galingumo.
 - b) **Nenaudokite elektrinio įrankio su sugedusiu jungikliu.** Elektrinis įrankis, kurio nebegalima įjungti ar išjungti, yra pavojingas ir jį reikia remontuoti.
 - c) **Prieš reguliuodami prietaisą, keisdami darbo įrankius ar prieš valydami prietaisą, iš elektros tinklo lizdo ištraukite kištuką ir/ arba išimkite akumuliatorių, jeigu**

jis išimamas. Ši saugumo priemonė apsaugos jus nuo netikėto prietaiso įsijungimo.

- d) **Nenaudojamą prietaisą sandėliuokite vaikams ir nemokantiems juo naudotis asmenims neprieinamoje vietoje.** Elektriniai įrankiai yra pavojingi, kai juos naudoja nepatyrę asmenys.
 - e) **Prižiūrėkite elektrinį įrankį ir priedus. Tikrinkite, ar besisukančios prietaiso dalys tinkamai veikia ir niekur neklūva, ar nėra sulūžusių ar šiaip pažeistų dalių, kurios įtakotų prietaiso veikimą.** Prieš vėl naudojant prietaisą pažeistos prietaiso dalys turi būti suremontuotos. Daugelio nelaimingų atsitikimų priežastis yra blogai prižiūrimi elektriniai įrankiai.
 - f) **Pjovimo įrankiai turi būti aštrūs ir švarūs.** Rūpestingai prižiūrėti pjovimo įrankiai su aštriomis pjaunamosiomis briaunomis mažiau stringa ir juos yra lengviau valdyti.
 - g) **Elektrinį įrankį, papildomą įrangą, darbo įrankius ir t. t. naudokite taip, kaip nurodyta šioje instrukcijoje. Taip pat atsižvelkite į darbo sąlygas bei atliekamo darbo pobūdį.** Naudojant elektrinius įrankius ne pagal jų paskirtį galima sukelti pavojingas situacijas.
 - h) **Rankenos ir suėmimo paviršiai turi būti sausi, švarūs, ant jų neturi būti alyvos ir tepalų.** Dėl slidžių rankenų ir suėmimo paviršių negalėsite saugiai išlaikyti ir suvaldyti įrankio netikėtose situacijose.
- 5) RŪPESTINGA AKUMULIATORINIŲ ĮRANKIŲ PRIEŽIŪRA IR NAUDOJIMAS**
- a) **Akumulatoriaus krovimui naudoti tik tuos įkroviklius, kuriuos rekomenduoja gamintojas.** Naudojant kitokio tipo akumulatoriams skirtą įkroviklį, kyla gaisro pavojus.
 - b) **Su prietaisu galima naudoti tik jam skirtą akumuliatorių.** Naudojant kitokius akumulatorius atsiranda pavojus susižeisti bei sukelti gaisrą.

- c) **Nelaikykite sąvaržėlių, monetų, raktų, vinių, varžtų ar kitokių metalinių daiktų arti ištraukto iš instrumento akumulatoriaus kontaktų.** Užtrumpinus akumulatoriaus kontaktus galima nusidėginti ar sukelti gaisrą.
 - d) **Netinkamai naudojant akumuliatorių, iš jo gali ištekėti skystis. Venkite kontakto su šiuo skysčiu. Jei skystis pateko ant odos, nuplaukite jį vandeniu, jei pateko į akis - nedelsiant kreipkitės į gydytoją.** Akumulatoriaus skystis gali sukelti odos sudirginimą ar nudegimus.
 - e) **Nenaudokite pažeisto arba perdaryto akumulatoriaus arba įrankio.** Sugadinti arba perdaryti akumulatoriai gali veikti nenuspėjamai – sukelti gaisrą, sproгимą arba traumų pavojų.
 - f) **Saugokite akumuliatorių arba įrankį nuo ugnies ir aukštos temperatūros.** Patekęs į ugnį arba aukštesnę nei 130°C temperatūrą, jis gali sprogti.
 - g) **Vykdykite visas įkrovimo instrukcijas ir nekraukite akumulatoriaus arba įrankio temperatūroje, neatitinkančioje instrukcijose nurodyto temperatūros diapazono ribų.** Netinkamai kraunant arba jeigu temperatūra neatitinka nurodyto diapazono ribų, gali sugesti akumulatorius ir kilti gaisras.
- 6) APTARNAVIMAS**
- a) **Prietaisą turi remontuoti tik kvalifikuotas specialistas ir naudoti tik originalias atsargines dalis.** Taip galima garantuoti, jog prietaisas išliks saugus.
 - b) **Niekada neatlikite pažeisto akumulatoriaus techninės priežiūros.** Akumuliatorių techninę priežiūrą turi atlikti tik gamintojas arba įgaliotasis techninės priežiūros atstovas.

DARBŲ SAUGOS NUORODOS DIRBANTIEMS SU AKUMULIATORINIAIS SUKTUVAIS

BENDROJI DALIS

- **Draudžiama apdirbti medžiagas, kurių sudėtyje yra asbesto** (asbestas pasižymi vėžį sukeliančiu poveikiu)
- Kai kurių medžiagų, kaip antai dažų, kurių sudėtyje yra švino, kai kurių medžių rūšių medienos, mineralų ir metalo dulkės gali būti kenksmingos (kontaktas su šiomis dulkėmis arba įkvėptos dulkės gali sukelti operatoriui arba šalia esantiems žmonėms alergines reakcijas ir/arba kvėpavimo sistemos susirgimus); **mūvėkite priešdulkinę puskaukę arba dirbdami naudokite dulkių ištraukimo įrenginį, jei jį galima prijungti**
- Kai kurių rūšių dulkės priskiriamos kancerogeninėms (pvz., ažuolo arba buko medienos dulkės), ypač susimaišiusios su medienos taurinimui naudojamais priedais; **mūvėkite priešdulkinę puskaukę arba dirbdami naudokite dulkių ištraukimo įrenginį, jei jį galima prijungti**
- Vadovaukitės Jūsų šalyje taikomų direktyvų reikalavimais, skirtais medžiagoms, su kuriomis norite dirbti
- Jokiu būdu nepalikite prietaiso ar akumuliatorių kroviklio Lietuvoje
- Nemėginkite ardyti įrankio ar kroviklio
- Prieš atliekant bet kokius prietaiso aptarnavimo darbus ar keičiant priedus, jį transportuojant ir sandėliuojant, būtina nustatyti sukimosi krypties perjungiklį E ② į vidurinę padėtį (įjungimo blokavimas)

ĮKROVIMAS/AKUMULIATORIAI

- Šiame prietaise naudokite tik SKIL kroviklio 2610Z07379
- **Šį kroviklį gali naudoti 8 metų ir vyresni vaikai bei asmenys**

- su fizinėmis, jutiminėmis ir dvasinėmis negaliomis arba asmenys, kuriems trūksta patirties ar žinių, jei juos prižiūri ir už jų saugumą atsako atsakingas asmuo arba jie buvo instruktuoti, kaip saugiai naudoti kroviklį ir žino apie gresiančius pavojus (priešingu atveju įrankis gali būti valdomas netinkamai ir kyla sužeidimų pavojus)
- **Prižiūrėkite vaikus** (taip bus užtikrinama, kad vaikai su krovikliu nežaistų)
- **Vaikams draudžiama kroviklį valyti ir atlikti jo techninę priežiūrą, jei neprižiūri atsakingas**

suaukęs asmuo

- Nenaudokite pažeistų ar sugedusių kroviklių
- Leidžiamoji aplinkos temperatūra (prietaiso/kroviklio/akumuliatorių):
 - įkraunant 4...40°C
 - įrankiui veikiant -20...+50°C
 - sandėliuojant -20...+50°C

PRIEDAI

- SKIL gali garantuoti nepriekaištingą prietaiso veikimą tik tuo atveju, jei naudojama originali papildoma įranga ir priedai

PRIEŠ EKSPLOATACIJĄ

- Visada patikrinkite, ar elektros tinklo įtampa sutampa su įtampos dydžiu, nurodytu įkroviklio vardinėje lentelėje
- Saugokite, kad nepažeistumėte prietaiso į ruošinyje esančius varžtus, vinis ir pan; prieš pradėdami darbą juos pašalinkite
- **Saugiai laikykite tvirtinamą dirbinį** (dirbinį, kuris segamas ar kalamas kabių kalimo įrankiais, saugiau laikyti spaustuviu nei ranka)
- **Naudodami tam skirtus paieškos prietaisus, patikrinkite, ar gręžimo vietoje nėra paslėptų komunalinių tinklų vamzdinių, arba pasikvieskite į pagalbą vietinius komunalinių paslaugų tiekėjus** (kontaktas su elektros laidais gali sukelti gaisro bei elektros smūgio pavojų; pažeidus dujotiekio vamzdį, gali įvykti sprogimas; pažeidus vandentiekio vamzdį, galima pridaryti daugybę nuostolių bei sukelti elektros smūgio pavojų)

EKSPLOATACIJA

- **Jei atliekate darbus, kurių metu darbo įrankis arba varžtas gali kliudyti paslėptus elektros laidus, tai elektrinį įrankį laikykite už izoliuotų rankenų** (palietus laidą, kuriuo teka elektros srovė, metalinėse elektrinio įrankio dalyse gali atsirasti įtampa ir trenkti elektros smūgis)
- Jeigu pajutote, kad prietaisas veikia ne taip, kaip visada, arba girdisi nebūdingi garsai, tuojau pat jį išjunkite ir ištraukite kištuką iš elektros tinklo lizdo

ANT PRIETAISO/ĮKROVIKLIO ESANČIŲ SIMBOLIŲ REIKŠMĖS

- ③ Prieš naudodami įrankį perskaitykite instrukcijų vadovą
- ④ Įkroviklį naudokite tik patalpoje
- ⑤ Dviguba izoliacija (įžeminimo laido nereikia)
- ⑥ Neteisingas įkroviklio jungties poliarškumas gali kelti pavojų akumuliatorių kraukite tik patiektu įkrovikliu)
- ⑦ Nemeskite elektrinių įrankių ir baterijos į buitinių atliekų kontenerius

NAUDOJIMAS

- Akumuliatoriaus įkrovimas ⑧
 - ! **naujas arba ilgą laiką nenaudotas akumuliatorius visą galingumą išvystys tik po maždaug 5 įkrovimo/iškrovimo ciklų**
 - prijunkite įkroviklį A prie sieninio elektros lizdo ir prietaiso lizdo B
 - ŽALIAI degantis indikatorius C rodo, kad akumuliatorius yra įkraunamas
 - kai akumuliatorius yra iki galo įkrauta, indikatorius C užgęsta (po maždaug 3 valandų)
 - ličio jonų akumuliatorių galima įkrauti bet kada (įkrovimo proceso pertraukimas akumuliatoriaus nesugadins)
 - ličio-jonų akumuliatoriaus prieš kraunant nereikia visiškai iškrauti (nėra "atminties efekto", kaip kad naudojant nikelio-kadmio akumuliatorius)
 - įrankio įkrovimo metu naudoti negalima; jis nėra sugedęs, jei neveikia įkraunant akumuliatorių
 - jei ilgą laiką nenaudojate prietaiso, ištraukite baterijos kroviklio kištuką iš elektros lizdo
- Įjungimas/išjungimas ⑨
- Sukimosi krypties perjungiklis ⑩
 - kol šis perjungiklis neužsifiksavo kairėje arba dešinėje padėtyje, negalėsite nuspausti jungiklio D ②
- ! **sukimosi kryptį perjungti tik prietaisui visiškai sustojus**
- Antgalių pakeitimas ⑪
 - antgalį įstatykite į laikiklio G įvorę

! nenaudokite antgalių su pažeistu kotu

- Automatinis suklio blokavimas
Jei reikia, galima užveržti arba atlaisvinti rankiniu būdu ⑫
- Šviesos diodas ⑬
Šviesos diodas H automatiškai užsidega, įjungus jungiklį D, net kai jungiklis E yra vidurinėje (fiksavimo) padėtyje
- Antgalių dėklas J ②
Priekyje turi dėklą 2 antgaliams
- Akumulatoriaus įkrovos indikatorius
Jei indikatorius C ② šviečia RAUDONAI, kai jungiklis D ② yra pusiau nuspauštas, reiškia, kad akumuliatoriuje liko mažiau, nei 30% energijos rezervo ir jį reikia įkrauti
- Dvi rankenos padėty ⑭
- Akumulatoriaus apsauga
Automatiškai išjungia instrumentą, kai akumulatoriaus temperatūra yra per aukšta (> +65°C)
beveik išsekus ličio-jonų akumuliatoriui (saugant nuo neleistino iškrovimo)

NAUDOJIMO PATARIMAI

- Naudokite tinkamus darbo antgalius ⑮
**! naudokite pažeistų antgalių
! naudokite tik įstatomuosius antgalius su šešiabriauniu kotu**
- Prieš sukant varžtą medinio ruošinio pakraštyje, visų pirma reikia išgręžti skylutę, kad medis nesuskiltų
- Norėdami pasiekti optimalius rezultatus, sukdami varžtą (ypač jį išsukdami) pastoviai laikykite prietaisą prispausta
- Sukant varžtą į kietmedį, prieš tai reikėtų išgręžti skylutę
- Daugiau informacijos rasite internete www.skil.com

PRIEŽIŪRA / SERVISAS

- Šis įrankis neskirtas profesionaliam naudojimui
- Prižiūrėkite prietaisą ir kroviklį, kad jie visuomet būtų švarūs
! prieš valydami kroviklį ištraukite kištuką iš el. tinklo lizdo

- Jeigu prietaisas/įkroviklis, nepaisant gamykloje atliekamo kruopštaus gamybos ir kontrolės proceso, vis dėlto sugestų, jo remontas turi būti atliekamas įgaliotose SKIL elektrinių įrankių remonto dirbtuvėse
- **neišardyta** prietaisą arba kroviklį kartu su pirkimo čekiu siųskite tiekėjui į artimiausią SKIL firmos įgaliotą elektros prietaisų techninio aptarnavimo tarnybą (adresus bei atsarginių dalių brėžinius rasite www.skil.com)
- Turėkite omeny, kad garantija netaikoma, jei gedimas atsiranda dėl perkrovos ar netinkamo naudojimo (dėl SKIL garantijos sąlygų žr. www.skil.com arba kreipkitės į jus aptarnaujantį prekybos atstovą)

APLINKOSAUGA

- **Nemeskite elektrinių įrankių, papildomos įrangos ir pakuotės į buitinių atliekų konteinerius** (galioja tik ES valstybėms)
- pagal ES Direktyvą 2012/19/EG dėl naudotų elektrinių ir elektroninių prietaisų atliekų utilizavimo ir pagal vietinius valstybės įstatymus atitarnavę elektriniai įrankiai turi būti surenkami atskirai ir gabunami į antrinių žaliavų tvarkymo vietas, kur jie turi būti sunaikinami ar perdirbami aplinkai nekenksmingu būdu
- apie tai primins simbolis ⑦, kai reikės išmesti atitarnavusį prietaisą
! prieš išmesdami prietaisą, išimkite baterijas
- Baterijų išėmimas ir išmetimas ⑯
! baterijas išimkite tik tada, kai jos visiškai išsikrovusios
- izoliuokite baterijų polius plačia juostele, kad neįvyktų trumpas sujungimas
- išmeskite baterijas oficialiame baterijų surinkimo punkte
! įmesti į ugnį akumulatoriai sprogs, jų nedeginkite jokiais sumetimais

TRIUŠMINGUMAS / VIBRACIJA

- Šio prietaiso triukšmingumas buvo išmatuotas pagal EN 60745 reikalavimus; keliamo triukšmo garso slėgio lygis siekia <70 dB(A) (standartinis nuokrypis: 3 dB) ir vibracijos <2,5 m/s² (trijų krypčių atstojamasis vektorius; paklaida K = 1,5 m/s²)
 - Vibracijos sklaidos lygis išmatuotas pagal standarte EN 60745 išdėstytus standartizuoto bandymo reikalavimus; ši vertė gali būti naudojama vienam įrankiui palyginti su kitu bei išankstiniams vibracijos poveikiui įvertinti, kai įrankis naudojamas paminėtais būdais
 - naudojant įrankį kitokiais būdais arba su kitokiais bei netinkamai prižiūrimais priedais, gali žymiai **padidėti** poveikio lygis
 - laikotarpiams, kai įrankis išjungtas arba yra įjungtas, tačiau juo nedirbama, gali žymiai **sumažėti** poveikio lygis
- ! apsisaugokite nuo vibracijos poveikio prižiūrėdami įrankį ir jo priedus, laikydami rankas šiltai ir derindami darbo ciklus su pertraukėlėmis**

МК

Безжичен шрафцигер 2710

УПАТСТВО

- Овој алат со ротација налево/надесно е наменет за зашрафување и првично дупчење во дрво
- Овој алат не е наменет за професионална употреба
- Внимателно прочитајте го и зачувајте го ова упатство за ракување ③

ТЕХНИЧКИ ПОДАТОЦИ ①

Максимален обрт за примена како шрафцигер според ISO 5393 : 7Nm

ЕЛЕМЕНТИ НА АЛАТОТ ②

- A** Полнач
- B** Контакт за полначот
- C** Индикатор за нивото на батеријата
- D** Прекинувач за вклучување/исклучување
- E** Прекинувач за менување на насоката на вртење
- F** Рачка за отклучување
- G** Магнетски држач за навртки
- H** ЛЕД-светилки
- J** Место за чување на бургијата

БЕЗБЕДНОСТ

ОПШТИ ПРЕДУПРЕДУВАЊА ЗА БЕЗБЕДНОСТ НА ЕЛЕКТРИЧНИТЕ АЛАТИ

ПРЕДУПРЕДУВАЊЕ

Прочитајте ги сите безбедносни предупредувања, упатства, слики и спецификации што се обезбедуваат со овој алат. Непочитувањето на сите упатства подолу може да доведе до електричен удар, пожар и/или сериозна повреда..

Чувајте ги сите предупредувања и упатства за понатамошно упатување.

Поимот “електричен алат”, кој се користи во понатамошниот текст, се однесува на вашиот електричен алат (со приклучен кабел) и на електрични алати со погон на батерии (без приклучен кабел).

1) БЕЗБЕДНОСТ НА РАБОТНОТО МЕСТО

- Одржувајте го вашето работно место чисто и уредно.** Неуреден или темен работен простор може да предизвикаат незгоди.
- Немојте да работите со уредот во средина во која има опасност од експлозија, во која има запалливи течности, гасови и прашина.** Електричните алати произведуваат искри кои можат да запалат прашина или параа.

- c) **За време на употребата на електричниот алат, децата и останатите лица држете ги подалеку од местото каде работите.** Одвркање, би можеле да изгубите контрола врз уредот.
- 2) ЕЛЕКТРИЧНА СИГУРНОСТ**
- a) **Утикач мора да одговара на приклучокот. Никако не смее да се прават измени на штекерот. Не користете адаптерски штекер заедно со уредот кој е заштитно заземјен.** Не променети штекери и соодветни приклучоци го намалуваат ризикот од електричен удар.
- b) **Избегнувајте допир на телото со заземјени површини, како што се цевки, радијатори, рерни и фрижидери.** Постои зголемена опасност од струен удар, доколку Вашето тело е заземјено.
- c) **Чувајте го уредот подалеку од дожд и влага.** Продирањето на вода во електричниот уред ја зголемува опасноста од струен удар.
- d) **Не злоупотребувајте го приклучниот кабел за носење, бeseње на уредот или за извлекување на штекерот од мрежниот приклучок. Чувајте го кабелот подалеку од топлина, масло, остри рабови или деловите на апаратот кои се движат.** Оштетени или заплеткани кабли ја зголемуваат опасноста од струен удар.
- e) **Кога го употребувате полначот надвор, користете продолжен кабел кој е соодветен за употреба на отворен простор.** Примената на продолжен кабел соодветен за работа на отворен простор ја намалува опасноста од струен удар.
- f) **Доколку не може да се избегне работа со електричниот алат во влажна средина, користете прекинувач за струјна заштита при технички проблеми.** Употребата на прекинувачот за струјна заштита при технички проблеми го намалува ризикот од електричен удар.
- 3) ЛИЧНА ЗАШТИТА**
- a) **Бидете внимателни, внимавајте што правите и постапувајте внимателно додека работите со електричниот алат. Не работете со уредот доколку сте уморни или под дејство на дрога, алкохол или лекови.** Еден момент на невнимание при употребата може да доведе до сеиозни повреди.
- b) **Носете ја личната заштитна опрема и секогаш носете заштитни очила.** Носењето на личната заштитна опрема, како што е маската за прашина, безбедносната облека која не се лизга, заштитен шлем или штитник за слух, зависно од видот и примената на електричниот алат, ја намалува опасноста од повреда.
- c) **Избегнувајте невнимателно вклучување за време на работата. Осигурајте се прекинувачот да биде во “OFF” позиција пред да го ставите штекерот во приклучокот.** Доколку го носите електричниот алат со прстот на прекинувачот или го приклучувате апаратот кој е приклучен со напојување на струја, може да предизвикате незгоди.
- d) **Пред вклучување на уредот, тргнете ги алатите за подесување или клучот за навртување.** Алатот или клучот кој се наоѓа во вртливиот дел на уредот, може да предизвика незгода.
- e) **Не ги преценувајте своите способности. Завземете сигурен и стабилен став и во секој момент одржувајте рамнотежа.** На тој начин можете подобро да го контролирате уредот во неочекувани ситуации.
- f) **Носете соодветна облека. Не носете широка облека или накит. Косата и алиштата треба да бидат подалеку од подвижните делови.** Широката облека, накитот или долгата коса може да се закачат за подвижните делови.
- g) **Доколку може да се монтираат направи за вшмукување и**

фаќање прашина, проверете дали се вклучени и дали можат исправно да се користат. Примената на овие направи ја намалува опасноста од прашината.

- h) **Не дозволувајте искуството стекнато со честа употреба на алатите да ве направи спокојни и да ги игнорирате безбедносните принципи при неговото користење.** Невнимателно движење може да предизвика сериозни повреди во дел од секунда.
- 4) **ВНИМАТЕЛНА УПОТРЕБА И РАКУВАЊЕ СО ЕЛЕКТРИЧНИТЕ АЛАТИ**
- a) **Не го преоптеретувајте уредот.** При вашата работа користете го предвидениот електричен алат за таа употреба. Со соодветниот електричен алат ќе работите подобро и посигурно во наведената функционална област.
- b) **Не користете електричен алат чиј прекинувач е неисправен.** Електричниот алат кој повеќе не може да се вклучува и исклучува е опасен и мора да се поправи.
- c) **Исклучете го електричниот алат од струја и/или извадете го комплетот со батерии, ако се одделува, пред да правите некакви прилагодувања, менувате дополнителна опрема или да го складираат електричниот алат.** Со овие мерки на внимателност ќе се избегне невнимателното вклучување на уредот.
- d) **Тргнете го електричниот алат кој не го користите од допирот на децата. Не допуштајте работа со уредот на лица кои не се запознаени со него или кои го немаат прочитано ова упатство.** Електричните алати се опасни доколку со нив работат неискусни лица.
- e) **Одржувајте го електричниот алат и дополнителната опрема. Имајте контрола околу тоа дали движечките делови на уредот работат беспрекорно и дали не се заглавени, дали деловите**

се скршени или оштетени до таа мерка што не може да се обезбеди функционирање на уредот. Пред примената, овие оштетени делови треба да се поправат. Причина за многу незгоди е лошо одржуваниот електричен алат.

- f) **Алатите за сечење одржувајте ги остри и чисти.** Внимателно одржуваните алати за сечење со остри очтрици помалку ќе се заглавуваат и со нив работата ќе биде полесна.
- g) **Електричниот алат, прибор, работни алати итн., треба да ги користите според овие упатства, и на начин кој е опишан за соодветниот тип на уред. При тоа, земете ги предвид работните услови и работата која се извршува.** Употребата на електричните алати за други цели кои не се предвидени, може да предизвика опасни ситуации.
- h) **Рачките и површините за држење одржувајте ги суви, чисти и неизмастени.** Рачките и површините за држење што се лизгаат не овозможуваат безбедно ракување и контрола на алатот во неочекувани ситуации.
- 5) **ВНИМАТЕЛНО РАКУВАЊЕ И КОРИСТЕЊЕ НА АПАРАТ СО АКУМУЛАТОР**
- a) **Полнете го акумулаторот само во апаратите за полнење кои се пропишани од страна на производителот.** За апаратот за полнење кој е соодветен за определен вид на акумулатори, постои опасност од пожар, доколку се употребува со други акумулатори.
- b) **Користете ги електричните алати само со специфично назначени пакувања на батерии.** Користењето на друг вид на батерии може да доведе до ризик од повреда или пожар.
- c) **Кога батериите не се користат, држете ги настрана од метални предмети како штрафчиња, парички, клучеви, клинци, навртки или други, мали**

предмети кои може да направат краток спој. Краткиот спој кај батериите може да предизвика изгореници или пожар.

- d) **При погрешна примена може да излезе течност од акумулаторот; избегнувајте контакт со неа. При случаен контакт, измијте се со вода. Ако течноста дојде во допир со очите, побарајте и лекарска помош дополнително.** Течноста која може да излезе од акумулаторот може да доведе до надразнување на кожата и изгореници.
- e) **Не употребувајте комплет со батерии или алат кој е оштетен или изменет.** Оштетени или изменети батерии може да реагираат непредвидливо и да предизвикаат пожар, експлозија или опасност од повреда.
- f) **Не го изложувајте комплетот со батерии или алатот на оган или висока температура.** Изложувањето на оган или температура над 130°C може да предизвика експлозија.
- g) **Следете ги сите инструкции за полнење и не го полнете комплетот со батерии или алатот надвор од температурниот опсег наведен во инструкциите.** Неправилното полнење или на температура надвор од наведениот опсег може да ја оштети батеријата и да ја зголеми опасноста од пожар.
- 6) СЕРВИСИРАЊЕ**
- a) **Електричниот алат сервисирајте го кај квалификувано лице кое користи само идентични резервни делови.** Со ова се обезбедува безбедно одржување на електричниот алат.
- b) **Никогаш не поправајте оштетени комплекти со батерии.** Поправката на комплекти со батерии треба да ја врши само производителот или овластен сервис.

БЕЗБЕДНОСНО УПАТСТВО ЗА БЕЗЖИЧНИ ШРАФЦИГЕРИ

ОПШТИ

- **Не обработувајте никаков материјал кој содржи азбест** (азбестот важи за предизвикувач на рак)
- Прашината од материјали како боја која содржи олово, некои видови дрво, минерали и метали, може да биде штетна за здравјето (контактот со прашината или нејзиното вдишување може да шредизвика алергии и/или болести на дишните органи за оној кој работи со алатот или луѓето во близина); **носете маска за прашина и работете со правосмукалки доколку можете да ги поврзете**
- Некои видови на прашина се канцерогени (како на пример прашината од даб или бука), особено заедно со адитиви за одржување на дрвото; **носете маска за прашина и работете со правосмукалки доколку можете да ги поврзете**
- Следете ги процедурите на вашата земја за прашината која се јавува како резултат од материјалите со кои работите
- Не изложувајте го алатот/полначот на дожд
- Не расклопувајте ги полначот ниту алатот
- При промена на приборот, пренесување или прибирање на алатот, задолжително поставете го прекинувачот E ② во средна позиција (заклучено)

ПОЛНЕЊЕ/АНУМУЛАТОРСКА БАТЕРИЈА

- Користете само полначот на SKIL 2610Z07379 со овој алат

- Овој полнач може да го користат деца над 8 години како и лица со намалени физички, сензорни и ментални способности или недоволно искуство и знаење, доколку се под надзор од лица одговорни за нивната безбедност или се подучени за безбедно ракување со полначот и ги разбираат опасностите кои може да произлезат поради тоа (инаку постои опасност од погрешна употреба и повреди)
- Не ги оставајте децата без надзор (така

ќе се осигурате дека децата нема да си играат со полначот)

- **Не ги оставајте децата без надзор за време на чистењето или одржувањето на полначот**

- Оштетените полначи не ги пуштајте во работа
- Дозволена температура на околината (алатката/полнач/батерија):
 - при полнење 4...40°C
 - при работа -20...+50°C
 - при складирање -20...+50°C

ПРИБОР

- SKIL може да признае гаранција само доколку е користен оригинален прибор

ПРЕД УПОТРЕБА

- Секогаш проверувајте го напонот на плочката со податоци за типот на полначот
- Избегнувајте оштетувања од штрафови, шајки и други предмети во местото каде работите; тргнете ги пред да почнете со работа
- **Зацврстете го материјалот кој го обработувате** (обработка која е зацврстена со стеги или во менгеме е побезбедна отколку да ја држите со раце)
- Користете соодветни детектори за наоѓање на скриени инсталации или повикајте соодветна компанија за помош (контактот со електричните линии може да доведе до струен удар; оштетувањата во гасоводна цевка може да резултира со експлозија; пенетрирање во водоводна инсталација може да доведе до оштета на предмети или електричен удар)

ВО ТЕКОТ НА УПОТРЕБАТА

- Држете го алатот за изолираните

површини за зафаќање кога извршувате работа при која што дополнителната опрема за сечење или прицврстување може да дојде во контакт со сокриените жици (ако

дополнителната опрема за сечење и прицврстување дојдат во контакт со жица под напон може да ги електрифицираат металните делови на алатот и да предизвикаат електричен удар на операторот)

- Во случај да дојде до електричен или механички дефект, апаратот треба веднаш да се исклучи и да се извлече приклучникот од мрежната приклучница

ОБЈАСНУВАЊЕ НА СИМБОЛИТЕ ЗА АЛАТОТ/ПОЛНАЧОТ

- ③ Пред употреба прочитајте го прирачникот за употреба
- ④ Користете го полначот само во затворен простор
- ⑤ Двојна изолација (не е потребна заземна жица)
- ⑥ Погрешниот поларитет на спојот на полначот може да предизвика проблем (полнете ја батеријата само со полначот што сте го добиле со апаратот)
- ⑦ Не се ослободувајте од електрични алати и батерии во домашниот отпад

УПОТРЕБА

- Полнење на акумулаторска батерија ⑧
! новата акумулаторска батерија или онаа што не се користела подолго време, ќе даде свој полн ефект приближно по 5 циклуси полнење/празнење
 - поврзете го полначот А и во штекер и со контактот В
 - индикатор С започне да трепка **ЗЕЛЕНО** што посочува дека батеријата се полни
 - кога батеријата ќе се наполни докрај, индикатор С ќе се исклучи (по околу 3 часа)
 - литиум-јонската батеријата може да се полни во кое било време (прекинувањето на процесот на полнење не ја оштетува

батеријата)

- литиум-јонската батерија не мора да биде празна пред да се полни (нема „ефект врз долготрајноста“, како кај никел-кадмиумските батерии)
- алатот не може да се користи за време на процесот на полнење; тој не е дефектен, доколку за време на процесот на полнење не функционира
- доколку не го користете уредот подолго време, извлечете го мрежниот приклучок на полначот од приклучницата
- Вклучено/Исклучено ⑨
- Промена на насоката на ротација ⑩
 - ако левата/десната позиција не легнат како што треба, прекинувачот D ② нема да може да стартува
- ! менувајте ја насоката на ротацијата само кога алатот се наоѓа во целосно мирување**
- Промена на бургиите ⑪
 - притиснете ја бургијата до крајната позиција на нејзиното место G
- ! не употребувајте бургии со оштетена дршка**
- Автоматско заклучување на осовината
Ви овозможува рачно да ги затегнувате или разлабавувате шрафовите ако е потребно ⑫
- ЛЕД-светилки ⑬
Сијаличката LED H автоматски светнува кога се активира прекинувачот D, дури и кога прекинувачот E е во средна позиција (на заклучување)
- Место за чување на бургијата J ⑭
Овозможува простор за 2 бургии однапред
- Индикатор за нивото на батеријата
Доколку индикаторот C ② при полу-притиснат прекинувач D ② свети **ЦРВЕНО**, батеријата има помалку од 30% од нејзиниот капацитет и треба да се наполни
- Две позиции на рачката ⑬
- Заштита на батеријата
Го исклучува алатот автоматски кога температурата на батеријата ќе

постане превисока (> +65°C)
литиум-јонската батерија е скоро
празна (за да ја заштити од целосно
празнење)

СОВЕТИ ЗА ПРИМЕНА

- Користете соодветни бургии ⁽¹⁵⁾
**! не користете оштетени навртки
! користете само навртки со
шестоаголна форма**
- При навртување на штрафовите
на краевите на дрвото, прво треба
да се издупчи мала дупка за да се
избегне разлистување на дрвото
- За оптимална употреба на апаратот
потребен е постојан притисок на
завртката, особено во текот на
одвртувањето
- При завртување на завртката во
тврдо дрво претходно треба да се
издупчи дупка
- За повеќе информации видете на
www.skil.com

ОДРЖУВАЊЕ/СЕРВИСИРАЊЕ

- Овој алат не е наменет за
професионална употреба
- Секогаш одржувајте го чист
апаратот и полначот
**! пред чистењето на полначот
треба да се извлече неговиот
мрежен приклучок**
- Доколку алатот/полначот и покрај
внимателното работење и контрола
некогаш откаже, поправката мора
да ја изврши некој овластен SKIL
сервис за електрични алати
- испратете го алатот или полначот
нерасклопен, заедно со
сметкопотврдата, до вашиот
продавач или најблискиот SKIL
сервис (адресите се наведени на
www.skil.com)
- Имајте предвид дека оштетувањето
настанало заради преоптоварување
или неправилно ракување со
алатот ја отфрла гаранцијата
(видете на www.skil.com или
прашајте го продавачот за условите
на гаранцијата на SKIL)

ЗАШТИТА НА ЖИВОТНАТА СРЕДИНА

- **Не се ослободувајте од
електрични алати, уреди или
амбалажа преку нивно фрлање
во домашното губре** (само за
земјите на ЕУ)
 - според Европската Директива
2012/19/ЕС за ослободување
од електрична и електронска
опрема и нејзина имплементација
во согласност со националните
закопи, електричните алати кои
го достигнале крајот на својот
животен век мора да бидат
собрани посебно и да бидат
вратени во соодветен објект за
рециклирање
 - симболот ⁽⁷⁾ ќе ве потсетува на
ова кога ќе дојде време алатот да
го фрлите**! извадете ги батериите пред да
ја фрлите машината**
- Вадење/фрлање на батериите ⁽¹⁶⁾
**! извадете ги батериите
само кога ќе бидат сосема
испразнети**
 - заштитете ги терминалите на
батеријата со трака за изолирање
за да спречите краток спој
 - фрлете ги батериите во овластен
центар за собирање батерији**! батериите може да
експлодираат ако се изложат
на оган и затоа никако не
палете ја батеријата**

БУЧАВА / ВИБРАЦИИ

- Мерено во согласност со EN
60745 нивото на звучен притисок
е <70 dB(A) (стандардно
отстапување: 3 dB) и вибрација
<2.5 m/c² (векторски збир на трите
показатели; несигурност K = 1.5
m/c²)
- Нивото на емитување на вибрации
кое е наведено на задниот дел
на ова упатство е измерено во
согласност со стандардизираниот
тест даден во EN 60745; може да
се користи за да се спореди еден
алат со друг, и како првична оценка
за изложеноста на вибрации кога

се користи алатот за споменатите примени

- користењето на алатот за разни примени, или со различни или неправилно чувани делови, може да доведе до значајно **зголемување** на нивото на изложеност
- кога алатот е исклучен или кога алатот е вклучен но не врши некаква работа, може да дојде до значително **намалување** на нивото а изложеност

! **заштитете се од ефектите на вибрациите преку одржување на алатот и неговите делови, одржување на топлината во вашите раце, и организирање на вашата работа**

AL

Kaçavida me bateri

2710

HYRJE

- Kjo pajisje me rrotullim majtas/djathtas është projektuar për vidhosjen dhe shpimin paraprak në dru
- Kjo vegël nuk është e projektuar për përdorim profesional
- Lexoni dhe ruani këtë manual të përdorimit ③

TË DHËNAT TEKNIKE ①

Forca maksimale e rrotullimit për veprime vidhosjeje të forta sipas ISO 5393 : 7Nm

ELEMENTET E VEGËL ②

- A Karikuesi
- B Kontakti i ngarkuesit
- C Treguesi i nivelit të baterisë
- D Çelësi i ndezjes/fikjes
- E Çelësi për ndryshimin e drejtimit ose të rrotullimit
- F Çelës i zhbllokimit të boshtit
- G Mbajtësja magnetike e majave
- H Drita LED
- J Vendi i ruajtjes së puntos

SIGURIA

PARALAJMËRIME TË PËRGJITHSHME TË SIGURISË PËR PAJISJET ELEKTRIKE

! **PARALAJMËRIM:** Lexoni të gjitha paralajmërimet, udhëzimet, ilustrimet dhe specifikimet e dhëna me këtë **mjet pune**. Mosrespektimi i të gjitha udhëzimeve të renditura më poshtë mund të rezultojë në goditje elektrike, zjarr dhe/ose dëmtime të rënda.

Ruani të gjitha paralajmërimet dhe udhëzimet për referencë në të ardhmen.

Termi “pajisje elektrike” në paralajmërimet i referohet pajisjes elektrike që përdoret nga priza (me kablo) ose pajisjes elektrike me bateri (pa kablo).

1) SIGURIA E ZONËS SË PUNËS

- a) **Mbajeni zonën e punës të pastër dhe të ndriçuar mirë.** Zonat e çrregullta ose të errëta janë një ftesë për aksidente.
- b) **Mos i përdorni pajisjet elektrike në situata me mundësi shpërthimi, si në prani të lëngjeve, gazeve ose pluhurave të djegshëm.** Pajisjet elektrike shkaktojnë shkëndija që mund të ndezin pluhurat ose avujt.
- c) **Mbajini fëmijët dhe personat e tjerë larg gjatë përdorimit të veglës së punës.** Tërheqja e vëmendjes mund të shkaktojë humbjen e kontrollit.

2) SIGURIA ELEKTRIKE

- a) **Spinat e veglës së punës duhet të përputhen me prizën.** Mos modifikoni kurrë spinën në asnjë mënyrë. Mos përdorni asnjë spinë përshtatëse me veglat e punës me tokëzim. Spinat e pamodifikuara dhe prizat përshtatëse do të zvogëlojnë rrezikun e goditjes elektrike.
- b) **Shmangni kontaktin trupor me sipërfaqe të tokëzuara si tuba, radiatorë, soba dhe frigoriferë.** Ka një rrezik më të madh të goditjeve elektrike nëse trupi është i tokëzuar.

- c) **Mos ekspozoni veglat e punës në shi ose në kushte me lagështi.** Uji që hyn në veglën e punës do të rritë rrezikun e goditjes elektrike.
- d) **Mos abuzoni me kordonin. Mos e përdorni kurrë kordonin për transportin, tërheqjen ose heqjen e spinës së veglës së punës. Mbajeni kordonin larg nga nxehtësia, vaji, anët e mprehta ose pjesët që lëvizin.** Kordonët e dëmtuar ose e bllokuar rrisin rrezikun e goditjes elektrike.
- e) **Kur përdorni një vegël pune në mjedise të jashtme, përdorni një kordon zgjatues të përshtatshëm për përdorim në mjedise të jashtme.** Përdorimi i një kordoni të përshtatshëm për përdorime në mjedise të jashtme zvogëlon rrezikun e goditjes elektrike.
- f) **Nëse përdorimi i veglës së punës në një vend me lagështi është i pashmangshëm, përdorni një automat qarku me shkarkesë me tokëzim.** Përdorimi i një automati me shkarkesë me tokëzim zvogëlon rrezikun e goditjes elektrike.
- 3) SIGURIA PERSONALE**
- a) **Qëndroni në gatishmëri, shikoni se çfarë po bëni dhe përdorni gjykimin kur përdorni një vegël pune. Mos e përdorni një vegël pune kur jeni i lodhur ose nën ndikimin e ilaçeve, alkoolit ose mjekimit.** Një moment humbje e vëmendjes gjatë përdorimit të veglave të punës mund të shkaktojë dëmtime të rënda personale.
- b) **Përdorni pajisje personale mbrojtëse. Mbani gjithmonë pajisje për mbrojtjen e syve.** Pajisjet mbrojtëse si maska kundër pluhurit, këpucët që nuk rrëshqasin, kaskat ose pajisjet për mbrojtjen e veshëve për kushtet përkatëse do të zvogëlojnë dëmtimet personale.
- c) **Parandaloni ndezjen e rastësishme. Sigurohuni që çelësi është në pozicionin fikur para se të lidhni burimin e energjisë dhe/ose baterinë, para se të merrni ose të transportoni pajisjen.** Transportimi i veglave të punës me gishtin në çelës ose aktivizimi i veglave të punës që

- kanë çelësin të ndezur është një ftesë për aksidente.
- d) **Hiqni çdo çelës ose çelës përshatës para ndezjes së veglës së punës.** Një çelës i lënë i lidhur me një pjesë rrotulluese të veglës së punës mund të shkaktojë dëmtime personale.
- e) **Mos u zgjasni. Mbani një vendosje të mirë të këmbëve dhe një ekuilibër të mirë në çdo moment.** Kjo gjë bën të mundur një kontroll më të mirë të veglës së punës në situata të papritura.
- f) **Vishuni në mënyrën e duhur. Mos vishni veshje të gjera ose bizhuteri. Mbani flokët, veshjet dhe dorashkat larg nga pjesët lëvizëse.** Veshjet e gjera, bizhuteritë ose flokët e gjatë mund të kapen nga pjesët në lëvizje.
- g) **Nëse janë ofruar pajisje për lidhjen e pajisjeve të mbledhjes dhe nxjerrjes së pluhurave, sigurohuni që ato të jenë të lidhura dhe të përdoren si duhet.** Përdorimi i mbledhjes së pluhurave mund të zvogëlojë rreziqet në lidhje me pluhurat.
- h) **Mos lejoni që familjarizimi i fituar nga përdorimi i shpeshtë i veglave t'ju lejojë të tregoheni të vetëkënaqur dhe të shpërfillni parimet e sigurisë për pajisjet.** Një veprim i pakujdesshëm mund të shkaktojë dëmtime të rënda në më pak se një sekondë.
- 4) PËRDORIMI DHE KUJDESI PËR VEGLËN E PUNËS**
- a) **Mos ushtroni forcë mbi veglën e punës. Përdorni veglën e punës të duhur për përdorimin tuaj.** Vegla e punës e duhur do të realizojë një punë më të mirë dhe më të sigurt dhe me shpejtësinë që ajo është e projektuar.
- b) **Mos përdorni veglën e punës nëse çelësi nuk e ndez apo e fik.** Çdo vegël pune që nuk mund të kontrollohet me anë të çelësit është e rrezikshme dhe duhet të riparohet.
- c) **Shkëputni spinën nga burimi i energjisë dhe/ose baterinë nga vegla e punës para se të bëni rregullime të tjera, të ndryshoni aksesoret ose të ruani veglat e**

- punës.** Këto masa parandaluese të sigurisë ulin rrezikun e ndezjes aksidentale të veglës së punës.
- d) **Mbani veglat e punës larg fëmijëve dhe mos lejoni personat e pamësuar me veglën e punës ose këto udhëzime për përdorimin e pajisjes.** Veglat e punës janë të rrezikshme në duart e përdoruesve të patrajnuar.
- e) **Mirëmbani veglat e punës.** Kontrolloni për mospërshtatje ose bllokim të pjesëve lëvizëse, thyerje të pjesëve dhe gjendje të tjera që mund të ndikojnë në funksionimin e veglës së punës. Nëse dëmtohet, riparojeni veglën e punës para përdorimit. Shumë aksidente shkaktohen nga veglat e punës jo të mirëmbajtura si duhet.
- f) **Mbajini pajisjet prerëse të pastra dhe të mprehta.** Pajisjet e prerjes të mirëmbajtura dhe me anë të mprehta kanë më pak mundësi për t'u bllokuar dhe janë më të lehta për t'u kontrolluar.
- g) **Përdorni veglat e punës, aksesorët dhe puntot, etj. në përputhje me këto udhëzime, duke marrë parasysh kushtet e punës dhe punën që do të kryhet.** Përdorimi i veglave për përdorime të ndryshme nga ato të përcaktuara mund të shkaktojë rreziqe.
- h) **Mbajini dorezat dhe sipërfaqet ku mbaheni të thata, të pastra dhe pa vajra ose graso.** Dorezat dhe sipërfaqet ku mbaheni, kur janë të rrëshqitshme, nuk ju lejojnë ta menaxhoni dhe ta kontrolloni në mënyrë të sigurt pajisjen në situata të papritura.
- 5) PËRDORIMI DHE KUJDESI PËR VEGLËN ME BATERI**
- a) **Karikojeni vetëm me karikuesin e përcaktuar nga prodhuesi.** Një karikues që është i përshtatshëm për një lloj baterie mund të krijojë rrezik për zjarr kur përdoret me një bateri tjetër.
- b) **Përdorni veglat e punës vetëm me bateritë e përcaktuara respektivisht.** Përdorimi i çdo baterie tjetër mund të krijojë rrezik për dëmtime dhe zjarr.
- c) **Kur bateria nuk është në përdorim, mbajeni larg nga objektet e tjera metalike si kapëset e letrës, monedhat, çelësat, gozhdët, vidat ose objektet e tjera të vogla metalike që mund të bëjnë lidhjen e një terminali me terminalin tjetër.** Lidhja e shkurtër e terminalëve të baterisë mund të shkaktojë djegie ose zjarr.
- d) **Në kushte abuzimi, nga bateria mund të rrjedhin lëngje; shmangni kontaktin me to. Në rast se ndodh aksidentalisht kontakti, shpëlajeni me ujë. Në rast se lëngu bie në kontakt me sytë, kërkoni edhe ndihmë mjekësore.** Lëngu i rrjedhur nga bateria mund të shkaktojë acarime ose djegie.
- e) **Mos e përdorni një pako baterish ose një vegël që është e dëmtuar apo e modifikuar.** Bateritë e dëmtuara ose të modifikuara mund të shfaqin sjellje të paparashikuara, duke shkaktuar zjarr, shpërthim ose rrezik për lëndimin tuaj.
- f) **Mos e ekspozoni një pako baterish ose një vegël ndaj zjarrit ose temperaturës shumë të lartë.** Ekspozimi ndaj zjarrit ose një temperature mbi 130°C mund të shkaktojë shpërthim.
- g) **Ndiqni të gjitha udhëzimet për karikimin dhe mos e karikoni pakon e baterive ose veglën jashtë gamës së temperaturës që specifikohet tek udhëzimet.** Karikimi i papërshtatshëm ose në temperatura jashtë gamës së specifikuar mund të dëmtojë baterinë dhe të rritë rrezikun për zjarr.
- 6) SHËRBIMI**
- a) **Shërbimi i veglës së punës duhet të kryhet nga një person i kualifikuar për riparimet duke përdorur vetëm pjesë ndërrimi identike.** Kjo gjë do të sigurojë ruajtjen e sigurisë së veglave të punës.
- b) **Mos kryeni asnjëherë shërbimin për pakot e baterive.** Shërbimi për pakot e baterive duhet të kryhet vetëm nga prodhuesi ose ofruesit e autorizuar të shërbimit.

UDHËZIMET E SIGURISË PËR KAÇAVIDAT ME BATERI

TË PËRGJITHSHME

- **Mos punoni me materiale që përmbajnë asbest** (asbesti konsiderohet kancerogjen)
- Pluhurat nga materialet si boja me plumb, disa lloje drurësh, mineralesh dhe metalesh mund të jenë të dëmshme (kontakti ose thithja e pluhurave mund të shkaktojë reagime alergjike dhe/ose sëmundje respiratore për përdoruesin ose personat përreth); **mbani një maskë për pluhurat dhe punoni me një pajisje për heqjen e pluhurave kur mund të lidhet**
- Disa lloje pluhurash skanë klasifikuar si kancerogjene (si pluhuri i lisit dhe i ahut) veçanërisht në ndërthurje me lëndët shtesë për kondicionimin e drurit; **mbani një maskë për pluhurat dhe punoni me një pajisje për heqjen e pluhurave kur mund të lidhet**
- Respektoni kërkesat kombëtare në lidhje me pluhurat për materialet me të cilat dëshironi të punoni
- Mos e ekspozoni pajisjen/ngarkuesin në shi
- Mos e çmontoni ngarkuesin ose pajisjen
- Sigurohuni që çelësi E ② të jetë në pozicionin e mesit (bllokues) para se të bëni ndonjë rregullim ose të ndërroni aksesoret, si dhe kur transportoni ose magazinoni veglën

NDËRRIMI I BATERIVE

- Përdorni vetëm karikuesin 2610Z07379 nga SKIL për këtë vegël
- **Ky karikues mund të përdoret nga fëmijët e moshës 8 vjeç e sipër dhe nga personat që kanë kufizime fizike, ndijore**

- ose mendore
ose mungesë
eksperience ose
njohurish nëse një
person përgjegjës
për sigurinë e tyre
i monitoron ose i
ka udhëzuar për
përdorimin në
mënyrë të sigurt
të karikuesit dhe
ata i kanë kuptuar
rreziqet përkatëse
(në rast të kundërt,
ekziston rreziku
i gabimeve dhe i
dëmtimeve gjatë
përdorimit)
- **Monitoroni fëmijët** (kjo do të garantojë që fëmijët të mos luajnë me karikuesin)
- **Pastrimi dhe mirëmbajtja nga përdoruesi për karikuesin e baterisë nuk duhet të kryhet nga fëmijët të pamonitoruar**
- Mos e përdorni karikuesin nëse është i dëmtuar

- Lejohet temperatura e ambientit (vegël/karikuesin/bateri):
 - kur karikoni 4...40°C
 - gjatë punës -20...+50°C
 - gjatë magazinimit -20...+50°C

AKSESORËT

- SKIL mund të garantojë funksionimin pa probleme të vegëlës vetëm kur përdoren aksesoret origjinale

PARA PËRDORIMIT

- Kontrolloni gjithmonë që voltazhi i energjisë të jetë i njëjtë me voltazhin e treguar në etiketën e karikuesit
- Shmangni dëmtimet që mund të shkaktohen nga vidat, gozhdët dhe elementet e tjera në materialin e punës; hiqni ato para se të filloni punën
- **Siguroni materialin e punës** (një material i shtrënguar me një pajisje shtrëngimi ose morskë mbahet në mënyrë më të sigurt se sa me dorë)
- **Përdorni detektorë përkatës për të gjetur linjat e fshehura të shërbimit ose telefononi kompaninë lokale të shërbimeve për ndihmë** (kontakti me linjat elektrike mund të shkaktojë zjarr ose goditje elektrike; dëmtimi i një linje gazi mund të shkaktojë një shpërthim; shpimi i një tubi uji do të shkaktojë dëmtim të pronës ose një goditje elektrike)

GJATË PËRDORIMIT

- **Mbajeni veglën e punës nga sipërfaqet e izoluara të kapjes, kur kryeni një veprim ku aksesori i prerjes ose shtrënguesi mund të bien në kontakt me tela të fshehur** (kontakti i aksesorit të prerjes dhe shtrënguesve me një tel elektrik mund të bëjë që pjesët metalike të ekspozuara të vegëlës së punës të përcjellin energjinë dhe mund të shkaktojnë goditjen elektrike të operatorit)
- Në rast defekti elektrik ose mekanik, fikni menjëherë pajisjen ose hiqni karikuesin nga burimi i energjisë

SHPJEGIMI I SIMBOLEVE NË PAJISJE/NGARKUES

- ③ Lexoni manualin e udhëzimeve para përdorimit
- ④ Përdoreni karikuesin vetëm në ambiente të brendshme
- ⑤ Izolim i dyfishtë (nuk kërkohet

tokëzim)

- ⑥ Polariteti i gabuar i lidhjes së karikuesit mund të shkaktojë një rrezik (karikojeni baterinë vetëm me karikuesin e përfshirë)
- ⑦ Mos i hidhni veglat elektrike dhe bateritë së bashku me materialet e mbeturinave familjare

PËRDORIMI

- Karikimi i baterisë ⑧
 - ! një bateri që është e re ose nuk është përdorur për një periudhë të gjatë nuk e zhvillon kapacitetin e saj të plotë deri pas afro 5 ciklesh karikimi/shkarikimi
 - lidhni ngarkuesin A me prizën në mur dhe me kontaktin B
 - treguesi C fillon të pulsojë të JESHILE duke treguar se bateria po karikohet
 - kur bateria të jetë plotësisht e ngarkuar, treguesi C do të fiket (pas afro 3 orësh)
 - bateria me jone litiumi mund të karikohet në çdo kohë (ndërprerja e procedurës së karikimit nuk e dëmton baterinë)
 - bateria me jone litiumi nuk duhet të jetë bosh para karikimit (nuk ka "efektin e memories" si bateritë me nikel-kadmium)
 - pajisja nuk mund të përdoret gjatë procesit të karikimit; ajo nuk ka defekt kur nuk mund të përdoret gjatë procedurës së karikimit
 - nëse parashikoni periudha të gjata mospërdorimi të vegëlës, është më mirë që ta hiqni karikuesin nga burimi i energjisë
- Ndezje/Fikje ⑨
- Ndryshimi i drejtimit të rrotullimit ⑩
 - kur është vendosur si duhet në pozicionin majtas/djathtas, çelësi D ② nuk mund të aktivizohet
 - ! ndryshoni drejtimin e rrotullimit vetëm kur pajisja të jetë plotësisht e ndaluar
- Ndërrimi i puntove ⑪
 - shtyjeni puntën në pozicionin e fundit në mbajtësen e puntos G
 - ! mos i përdorni puntot me një bosht rrotullues të dëmtuar
- Bllokimi automatik i boshtit rrotullues

Ju lejon që të shtrëngoni ose të lironi manualisht vidat, kur është e nevojshme ¹²

- Drita LED ¹³
Drita LED H ndizet automatikisht kur aktivizohet çelësi D, edhe kur çelësi E është në pozicionin e mesit (kyçje)
- Vendi i ruajtjes së puntos J ²
Siguron vende ruajtje për 2 punto në pjesën përpara
- Treguesi i nivelit të baterisë
Kur treguesi C ² ndizet në TË KUQE kur shtypni çelësin D ² deri në gjysmë, bateria ka më pak se 30% të kapacitetit të saj dhe duhet të rikohet
- Dy pozicionet e dorezës ¹⁴
- Mbrojtja e baterisë
Fik automatikisht pajisjen kur temperatura e baterisë është shumë e lartë (> +65°C)
bateria me jone litiumi është gati bosh (për të mbrojtur nga shkarkimi i thellë)

KËSHILLË PËR PËRDORIMIN

- Përdorni puntot e dhura ¹⁵
! mos përdorni punto të dëmtuara
! përdorni vetëm punto me bosht heksagonal
- Kur vidhosni një vidë/pranë skajit të prerjes kryq ose një skaj të drurit, shpioni paraprakisht një vrimë për të shmangur krisjen e drurit
- Për një përdorim optimal të veglës kërkohet një presion i qëndrueshëm mbi vidë, veçanërisht kur ta hiqni
- Kur vidhosni në dru të fortë, duhet të shpioni paraprakisht një vrimë
- Për më shumë informacion, shikoni www.skil.com

MIRËMBAJTJA / SHËRBIMI

- Kjo vegël nuk është e projektuar për përdorim profesional
- Mbajeni veglën dhe karikuesin të pastra
! hiqeni karikuesin nga burimi i energjisë para pastrimit
- Nëse vegla/karikuesi kanë defekt pavarësisht kujdesit të treguar në procedurat e prodhimit dhe të testimit, riparimi duhet të kryhet nga një qendër

për shërbimin pas shitjes për veglat e punës të SKIL

- dërgojeni veglën ose karikuesin të **paçmontuar** së bashku me provën e blerjes të shitësi ose qendra më e afërt e shërbimit të SKIL (adresat si dhe diagrami i shërbimit i veglës janë të renditura në www.skil.com)
- Kini parasysh se dëmtimet për shkak të mbingarkesës ose manovrimit të papërshtatshëm të veglës janë të përjashtuara nga garancia (për kushtet e garancisë së SKIL vizitoni www.skil.com ose pyetni shitësin tuaj)

MJEDISI

- **Mos i hidhni veglat elektrike, aksesorët dhe paketimin së bashku me materialet e mbeturinave familjare** (vetëm për vendet e BE-së)
 - në respektim të Direktivës evropiane 2012/19/EC për pajisjet elektrike dhe elektronike si mbetje dhe zbatimin e saj në përputhje me ligjet kombëtare, pajisjet elektrike që kanë arritur në fund të jetëgjatësisë së tyre duhet të mblidhen të ndara dhe të kthehen në një objekt riciklimi në përputhje me mjedisin.
 - simboli ⁷ do t'ju kujtojë për këtë gjë kur të jetë nevoja për t'i hedhur
- ! hiqeni bateritë para hedhjes së veglës**
- Heqja/hedhja e baterive ¹⁶
! hiqni bateritë vetëm nëse janë plotësisht bosh
 - mbroni terminalet e baterisë me ngjitet të fortë për të parandaluar qarkun e shkurtër
 - hidhni bateritë në një pikë zyrtare të grumbullimit për bateritë
- ! bateritë mund të shpërthejnë kur hidhen në zjarr, prandaj mos i digjini bateritë për asnjë arsye**

ZHURMA / VIBRIMI

- E matur në përputhje me EN 60745, niveli i trysnisë së tingullit i kësaj pajisje është <70 dB(A) (shmangia standarde: 3 dB) dhe vibrimi <2.5 m/s² (shuma vektor i tre drejtime; pasiguria K = 1,5 m/s²)

- Niveli i emetimit të vibrimit është matur në përputhje me një provë të standardizuar të dhënë në EN 60745; ajo mund të përdoret për të krahasuar një vegël me një tjetër dhe si një vlerësim paraprak i ekspozimit ndaj vibrimit kur përdorni pajisjen për proceset e përmendura
 - përdorimi i pajisjes për procese të ndryshme, ose me aksesore të ndryshëm dhe të mirëmbajtur keq, mund **të rritë** ndjeshëm nivelin e ekspozimit
 - kohët kur pajisja është e fikur dhe kur është e ndezur por jo në punë, mund **të zvogëlojnë** ndjeshëm nivelin e ekspozimit
- ! **mbroni veten nga efektet e vibrimit duke mirëmbajtur pajisjen dhe aksesoret e saj, duke i mbajtur duart e ngrohta dhe duke organizuar mënyrën tuaj të punës**



محیط زیست

- ابزارهای برقی، لوازم و ملتحلقات و بسته بندی آنها را نباید همراه با زباله های عادی خانگی دور انداخت (فقط مخصوص کشورهای عضو اتحادیه اروپا)
- با توجه به مصوبه اروپایی ۱۲/۱۹/EC اروپا درباره لوازم برقی و الکترونیکی مستعمل و اجرای این مصوبه مطابق با قوانین کشوری، ابزارهای برقی که به پایان عمر مفید خود رسیده اند باید جداگانه جمع آوری شده و به یک مرکز بازیافت مناسب و سازگار با محیط زیست انتقال یابند
- نمادعلامت (V) یادآور این مسئله در هنگام دور انداختن است
- ! قبل از دور انداختن ابزار، باتری های آنرا خارج کنید برداشتن / دور انداختن باتری ها (11)
- ! فقط موقعی باتری ها را بردارید که کاملاً خالی شده باشند
- روی پایانه های باتری را با نوار چسب سنگین بپوشانید تا از اتصالی جلوگیری شود
- باتری ها را در مراکز مجاز جمع آوری باتری ها دور بیندازید
- ! اگر باتری ها در آتش انداخته شوند امکان انفجار آنها وجود دارد، بنابراین هرگز و به هیچ دلیلی باتری را نسوزانید

صدا / ارتعاشات

- اندازه گیری ها بر اساس استاندارد EN ۶۰۷۴۵ انجام و مشخص شد که میزان فشار صوتی این ابزار > ۷۰ دسی بل (با انحراف استاندارد: ۳ دسی بل)، و میزان ارتعاشات > ۲,۵ متر/مجدور ثانیه می باشد (جمع بردارهای سه جهت $K = ۱,۵$ متر/مجدور ثانیه)
- میزان انتشار ارتعاشات بر اساس تست استاندارد شده ای که در EN ۶۰۷۴۵ معرفی شده است اندازه گیری گردید؛ از این ارقام می توان برای مقایسه یک ابزار با دیگری و بعنوان ارزیابی اولیه در معرض قرارگیری ارتعاشات هنگام کار با ابزار در کاربری های فوق استفاده کرد
- استفاده کردن از ابزار برای کاربردهای متفاوت، یا با لوازم و ملتحلقات متفاوتنفرقه یا لوازم و ملتحلقاتی که بد نگهداری شده اند، می تواند میزان در معرض قرارگیری را بطور قابل ملاحظه ای افزایش دهد
- مواقعی که ابزار خاموش است یا روشن است ولی کاری با آن انجام نمی شود، میزان در معرض قرارگیری بطور قابل توجهی کاهش می یابد
- ! با نگهداری مناسب از ابزار و لوازم و ملتحلقات آن، گرم نگهداشتن دست های خود، و سازمان دهی طرح های کاری می توانید خود را در برابر اثرات ارتعاش محافظت کنید

رسانده و موجب خطر برق گرفتگی می شود)

در حین استفاده

- اگر از ابزار در مواردی استفاده می کنید که امکان دارد متعلقات برش یا بست های آن با سیم های پنهان شده تماس پیدا کنند. حتماً باید ابزار را از جا دست های مخصوص عایق آن بگیریید (تماس متعلقات برش و بست های ابزار با سیم های "برق دار" می تواند در بخش های فلزی دستگاه نیز جریان "برق" تولید کرده و در اپراتور برق گرفتگی ایجاد کند)
- در صورت بروز اشکالات برقی یا مکانیکی. فوراً ابزار را خاموش کرده و سیم برق شارژر را از پریز بکشید
- شرح علائم و نمادهای ابزار/شارژر
- ③ پیش از کار حتماً دفترچه راهنما را مطالعه کنید
- ④ از شارژر فقط باید در داخل ساختمان استفاده کرد
- ⑤ عایق دوگانه (نیازی به سیم اتصال به زمین - ارت نیست)
- ① اگر قطب های شارژر را اشتباه وصل کنید احتمال بروز خطر وجود خواهد داشت (باتری را فقط با شارژر ارائه شده شارژ کنید)
- ⑦ ابزارهای برقی. باتری ها. آنها را نباید همراه با زباله های عادی خانگی دور انداخت

• ضامن خودکار قفل کننده شفت

- به شما امکان می دهد در صورت نیاز پیچ ها را با دست شل یا سفت کنید ⑫
- چراغ LED ⑬
- چراغ LED H در صورت فعال شدن کلید D روشن خواهد شد. حتی اگر کلید E در وضعیت وسط (قفل) باشد
- محل قرار دادن سر ابزار در جلو ⑭
- گنجایش قرار دادن ۲ سر ابزار را در جلو دارد
- نشانگر شارژ باتری
- وقتی که نشانگر C ⑮ در حالیکه کلید D ⑯ را تا نیمه فشار می دهید به رنگ قرمز روشن می شود. به این معنی است که ظرفیت باتری کمتر از ۲۰٪ است و باید شارژ شود
- وضعیت های دو دسته ای ⑰
- محافظت باتری
- ابزار در شرایط زیر بطور خودکار خاموش می شود
- دمای باتری زیادی بالا می رود (بالا تر از ۶۵ درجه سانتیگراد)
- باتری یون لیتیوم تقریباً تخلیه شده است (برای محافظت در برابر تخلیه کلی)

توصیه های کاربردی

- از سرمته های مناسب استفاده کنید ⑱
- ! از سرهای پیچ گوشتی آسیب دیده استفاده نکنید
- ! فقط از سرهای پیچ گوشتی دارای ساقه شش ضلعی استفاده کنید
- هنگام سفت کردن یک پیچ درکنار لبه یا مقطع برش یک تکه چوب. ابتدا یک سوراخ ایجاد کنید تا چوب ترک نخورد
- برای عملکرد بهینه ابزار باید فشار یکنواخت روی پیچ وارد شود. بخصوص موقعی که پیچ را خارج می کنید
- اگر می خواهید چوب های سفت را پیچ کنید باید ابتدا یک سوراخ ایجاد کنید
- برای اطلاعات بیشتر به www.skil.com مراجعه کنید

نگهداری / سرویس - خدمات

- این ابزار برای مصارف حرفه ای مناسب نیست
- ابزار و شارژر را تمیز نگه دارید
- ! شارژر را قبل از تمیز کردن از پریز بکشید
- اگر ابزار/شارژر غیرنرم تمام دقت و مراقبتی که در فرایندهای تولید و تست بکار برده شده از کار افتاد. تعمیرات باید فقط در مراکز خدمات پس از فروش ابزارهای برقی SKIL انجام شود
- - ابزار یا شارژر را بصورت بازنشده همراه با رسید خرید به فروشنده یا نزدیک ترین مرکز خدمات رسانی SKIL بفرستید (آدرسها به همراه نمودارهای سرویس ابزار در www.skil.com موجود است)
- توجه داشته باشید که خرابی و خسارت ناشی از اضافه بار یا کار کردن نادرست با ابزار مشمول ضمانت نخواهند بود (برای آگاهی از شرایط ضمانت SKIL به نشانی www.skil.com مراجعه کرده یا از فروشنده خود سوال کنید)

استفاده

- شارژ کردن باتری ①
- ! یک باتری نو یا باتری ای که برای مدت طولانی از آن استفاده نشده است قبل از در حدود ۵ دوره شارژ/تخلیه شارژر به ظرفیت کامل خود نمی رسد
- شارژر A را به پریز دیواری و کنتاکت B وصل کنید
- نشانگر C به رنگ سبز روشن شده و نشان می دهد که باتری در حال شارژ است
- هنگامی که باتری بطور کامل شارژ شد. نشانگر C خاموش می شود (بعد از حدود ۳ ساعت)
- باتری یون لیتیوم را می توان در هر زمانی شارژ کرد (وقفه در فرایند شارژ آسیبی به باتری نمی رساند)
- برای شارژ کردن یک باتری یون لیتیوم حتماً نباید منتظر شوید که باتری کاملاً تخلیه شده باشد (برخلاف باتری های نیکل-کادمیوم که "پدیده-حافظه" در آنها روی می دهد)
- ابزار در طول شارژ قابل استفاده نیست: اگر ابزار در طول شارژ کار نکند به منزله اشکال نیست
- اگر نمی خواهید برای مدتی طولانی از ابزار استفاده کنید. بهترین کار این است که سیم برق شارژر را از پریز بیرون بیاورید
- روشن/خاموش ②
- تغییر جهت چرخش ⑩
- کلید D ① در صورتی که درست در وضعیت چپ/راست تنظیم نشده باشد. فعال نخواهد شد
- ! فقط زمانی جهت چرخش ابزار را عوض کنید که ابزار در حالت توقف کامل باشد
- عوض کردن سرمته ⑪
- سر پیچ گوشتی را تا انتها در نگهدارنده فشار دهید
- G
- ! اگر ساقه سرمته آسیب دیده است نباید از آن استفاده کنید

نمید. قرار دادن در معرض آتش یا دمای بالاتر از ۲۱۰ درجه سانتیگراد می تواند باعث انفجار گردد.

خ) تمام دستورات عمل های شارژ را رعایت کرده و بسته باتری یا ابزار را در خارج از محدوده دمای ذکر شده در راهنما شارژ نکنید. شارژ نادرست یا شارژ کردن در دماهایی خارج از محدوده ذکر شده می تواند به باتری آسیب رسانده و خطر آتش سوزی را بالا ببرد.

۱۶ سرویس
ا) برای تعمیر ابزار الکتریکی فقط به متخصصین حرفه ای رجوع کرده و از سائیل پدکی اصل استفاده کنید. این باعث خواهد شد که ایمنی دستگاه شما تضمین گردد.

ب) هرگز بسته های باتری آسیب دیده را سرویس نکنید. عملیات سرویس بسته های باتری باید فقط توسط سازنده یا مراکز خدماتی مجاز انجام شود.

هشدارهای ایمنی برای پیچ گوشتی های شارژی

عمومی

- با موادی حاوی آزیست کار نکنید (آزیست سرطان زا است)
- گرد و خاکی که از موادی مانند رنگ های حاوی سرب، برخی گونه های چوب، مواد معدنی و فلزات بلند می شود می تواند خطرناک باشد (تماس با این گرد و خاکها و یا تنفس آنها می تواند در کاربران ابزار یا افراد نزدیک به محل کار واکنش های حساسیتی و/یا بیماری های تنفسی ایجاد کند؛ یک ماسک مخصوص گرد و خاک بزنید و در صورت امکان از یک وسیله مکش گرد و خاک استفاده کنید
- برخی از گرد و خاکها (مانند گرد و خاکی که از چوب بلوط یا راش بلند می شود) علی الخصوص در مجاورت افزودنی های مخصوص چوب، سرطان زا هستند؛ یک ماسک مخصوص گرد و خاک بزنید و در صورت امکان از یک وسیله مکش گرد و خاک استفاده کنید
- از مقررات ملی مربوط به گرد و خاک موادی که می خواهید با آنها کار کنید پیروی نمایید
- ابزار شارژر نباید در معرض باران قرار داده شود
- سعی نکنید شارژر یا باتری را باز کنید
- قبل از هرگونه تنظیم یا عوض کردن متعلقات و یا حمل و قرار دادن ابزار در محل نگهداری آن مطمئن شوید که کلید E (1) در وضعیت میانی (قفل) قرار داشته باشد

شارژ کردن باتری ها

- برای این ابزار فقط از شارژر SKIL ۲۱۱۰ Z-۷۳۷۹ (انگلستان ۲۱۱۰ Z-۷۳۸۳) استفاده کنید

• کودکان ۸ ساله و بزرگتر و افرادی که محدودیت های فیزیکی، حساسی یا ذهنی داشته یا فاقد تجربه یا دانش هستند بشرطی می توانند از این شارژر استفاده کنند که شخص

مسئول ایمنی آنها بر کارشان نظارت کرده و یا درباره عملکرد ایمن شارژر به آنها آموزش داده باشد و آنها خطرات موجود را درک کرده باشند (در

غیراینصورت خطر بروز خطاهای کاری و جراحات وجود خواهد داشت)

• کودکان را تحت نظارت داشته باشید (با این کار مطمئن خواهید شد که کودکان با شارژر بازی نمی کنند)

• تمیز کردن و امور نگهداری شارژر باتری نبایستی توسط کودکان بدون نظارت انجام شود

- اگر شارژر آسیب دیده است از آن استفاده نکنید
- دمای محیطی مجاز (ابزار شارژر باتری):
 - هنگام شارژ ۴۰۰ ... ۴۰ درجه سانتیگراد
 - هنگام کار ۲۰۰ ... ۵۰ درجه سانتیگراد
 - قرار دادن در محل نگهداری ۲۰۰ ... ۵۰ درجه سانتیگراد

متعلقات

- SKIL در صورتی که از متعلقات اصلی استفاده کنید عملکرد بدون مشکل ابزار را تضمین می نماید
- پیش از استفاده
 - همیشه مطمئن شوید که ولتاژ ورودی دستگاه برابر ولتاژی باشد که روی پلاک شارژر نوشته شده است
 - پیچ ها، میخ ها و سایر اجزا دیگر می توانند به قطعه کاری شما آسیب بزنند؛ بنابراین پیش از شروع کار آنها را بردارید
 - قطعه کاری را محکم کنید (اگر قطعه کاری را با گیره های نجاری یا گیره های رومیزی ثابت کنید بسیار مطمئن تر از گرفتن آن با دست خواهد بود)
 - برای پیدا کردن سیم و لوله های پنهان از دستگاه های دکتور مناسب استفاده کرده یا با شرکت های آب و برق و گاز محلی تماس گرفته و از آنها کمک بخواهید (تماس با سیم های برق موجب آتش سوزی و برق گرفتگی می شود؛ آسیب رساندن به لوله های گاز سبب انفجار می شود؛ سوراخ کردن لوله های آب به ساختمان آسیب

- ت) هنگام کار با ابزار الکتریکی، کودکان و سایر افراد را از دستگاه دور نگهدارید. در صورتیکه حواس شما پرت شود، ممکن است کنترل دستگاه از دست شما خارج شود.
- ۴) ایمنی الکتریکی
- ا) دوشاخه ابزار الکتریکی باید با پریز برق مناسب داشته باشد. هیچگونه تغییری در دوشاخه ندهید. میبل دوشاخه نباید همراه با ابزار الکتریکی دارای اتصال به زمین (ارت شده) استفاده شود. میبل دوشاخه نباید همراه با ابزار الکتریکی دارای اتصال به زمین (ارت شده) استفاده شود.
- ب) از تماس بدنی با قطعات دارای سیم اتصال به زمین (ارت شده) مانند لوله، شوفناژ، اجاق برقی و پخچال خود داری کنید. در صورتیکه بدن شما با سیم دارای اتصال به زمین (ارت شده) تماس پیدا کند خطر برق گرفتگی بیشتر خواهد شد.
- ت) دستگاه را از باران و رطوبت دور نگهدارید. نفوذ آب به ابزار الکتریکی خطر شوک الکتریکی را افزایش می دهد.
- ث) از سیم به درستی استفاده کنید. از سیم دستگاه برای کارهایی چون حمل ابزار الکتریکی، آویزان کردن آن و یا خارج کردن دوشاخه از برق استفاده نکنید. دستگاه را در مقابل حرارت، روغن، لبه های تیز و بخش های متحرک دستگاه دور نگهدارید. کابل های آسیب دیده و یا گره خورده خطر شوک الکتریکی را افزایش می دهند.
- ج) در صورتیکه با ابزار الکتریکی در محیط باز کار می کنید، تنها از کابل را بطی استفاده کنید که برای محیط باز نیز مناسب باشد. کابل های رابط مناسب برای محیط باز خطر برق گرفتگی را کم می کنند.
- ح) در صورت لزوم کار با ابزار الکتریکی در محیط و اماکن مرطوب، در ایمنی صورت باید از یک کلاه حفاظتی جریان خطا و نشستی زمین (کلید قطع کننده اتصال با زمین) استفاده کنید. استفاده از کلید حفاظتی جریان خطا و نشستی زمین خطر برق گرفتگی را کمتر می کند.
- ۴) رعایت ایمنی اشخاص
- ا) حواس خود را خوب جمع کنید، به کار خود دقت کنید و با فکر و هوش کامل با ابزار الکتریکی کار کنید. در صورت خستگی و یا در صورتیکه مواد مخدر، الکل و دارو استفاده کرده اید، با ابزار الکتریکی کار نکنید. بی خطه بی توجهی هنگام کار با ابزار الکتریکی میتواند جراحات های شدیدی به همراه داشته باشد.
- ب) همواره از تجهیزات ایمنی شخصی استفاده کنید. همواره از عینک ایمنی استفاده کنید. استفاده از تجهیزات ایمنی مانند ماسک ایمنی، کفش های ایمنی ضد لغزش، کلاه ایمنی و گوشی ایمنی متناسب با نوع کار با ابزار الکتریکی، خطر مجروح شدن را تقلیل می دهد.
- ت) مواظب باشید که ابزار الکتریکی بطور ناخواسته بکار نیفتد. قبل از وارد کردن دوشاخه دستگاه در پریز برق، اتصال آن به باطری برداشتن آن و یا حمل دستگاه، باید دقت کنید که ابزار الکتریکی خاموش باشد. در صورتیکه هنگام حمل دستگاه انگشت شما روی دکمه قطع و وصل باشد و یا دستگاه را در حالت روشن به برق بزنید، ممکن است سوانح کاری پیش آید.
- ث) قبل از روشن کردن ابزار الکتریکی، باید همه ابزار های تنظیم کننده و اچهار ها را از روی دستگاه بردارید. ابزارو اجزاهائی که روی بخش های چرخنده دستگاه قرار دارند، می توانند باعث ایجاد جراحات شوند.
- ج) پیش از حد به آنها نزدیک نشوید. برای کار جای مطمئنی برای خود انتخاب کرده و تعادل خود را همواره حفظ کنید. به این ترتیب می توانید ابزار الکتریکی را در وضعیت های غیر منظره بهتر تحت کنترل داشته باشید.
- ح) لباس مناسب بپوشید. از پوشیدن لباس های فراخ و حمل زینت آلات خود داری کنید. موها، لباس و دستکش ها را از بخش های درحال چرخش دستگاه دور نگهدارید. لباس های فراخ، موی بلند و زینت آلات ممکن است در قسمت های درحال چرخش دستگاه گیر کنند.
- خ) در صورتیکه می توانید وسایل مکش گرد و غبار و یا وسیله جنب زنده را به دستگاه نصب کنید، باید مطمئن شوید که این وسایل نصب و درست استفاده می شوند. استفاده از وسایل

- مکش گرد و غبار مصونیت شما را در برابر گرد و غبار زیاد تر می کند.
- د) اجازه ندهید آشنایی و تسلط حاصل از استفاده مکرر از ابزارها باعث شود احساس نیاز به رعایت قواعد نکرده و به قوانین ایمنی ابزار بی توجهی کنید. یک عمل از روی بی وقتی می تواند در کسری از ثانیه موجب جراحات شدید شود.
- ۴) استفاده صحیح از ابزار الکتریکی و مراقبت از آن
- ا) از وارد کردن فشار زیاد روی دستگاه خود داری کنید. برای هر کاری، از ابزار الکتریکی مناسب با آن استفاده کنید. بکار گرفتن ابزار الکتریکی مناسب باعث می شود که بتوانید از توان دستگاه بهتر و باطمینان بیشتری استفاده کنید.
- ب) در صورت ابراد در کلید قطع و وصل ابزار برقی، از دستگاه استفاده نکنید. ابزار الکتریکی که نمی توان آنها را قطع و وصل کرد، خطرناک بوده و باید تعمیر شوند.
- ت) قبل از تنظیم ابزار الکتریکی، تعویض متعلقات و یا کنار گذاشتن آن، دوشاخه را از برق کشیده و یا باطری آنرا خارج کنید. رعایت این اقدامات پیشگیری ایمنی از راه افتادن ناخواسته ابزار الکتریکی جلوگیری می کند.
- ث) ابزار الکتریکی را در صورت عدم استفاده، از دسترس کودکان دور نگهدارید، اجازه ندهید که افراد نا وارد و یا اشخاصی که این دفتر چه راهنما را نخوانده اند، با این دستگاه کار کنند. قرار گرفتن ابزار الکتریکی در دست افراد ناوارد و بی تجربه خطرناک است.
- ج) از ابزار الکتریکی خوب مراقبت کنید. مواظب باشید که قسمت های متحرک دستگاه خوب کار کرده و گیر نکنند. همچنین دقت کنید که قطعات ابزار الکتریکی شکسته و یا آسیب دیده نباشند. قطعات آسیب دیده را قبل از شروع به کار تعمیر کنید. علت بسیاری از سوانح کاری، عدم مراقبت کامل از ابزارهای الکتریکی می باشد.
- ح) ابزار برش را تیز و تمیز نگهدارید. ابزار برشی که خوب مراقبت شده و از لبه های تیز برخوردارند، کمتر در قطعه کار گیر کرده و بهتر قابل هدایت می باشند.
- خ) ابزارهای الکتریکی، متعلقات، ابزارهای که روی دستگاه نصب می شوند و غیره را مطابق دستورات این جزوه راهنما طوری به کار بگیرید که با مدل این دستگاه تناسب داشته باشند. همچنین به شرایط کاری و نوع کار توجه کنید. کاربرد ابزار برقی برای موارد کاری که برای آن رمزنگار گرفته نشده است، میتواند شرایط خطرناکی را متجرب شود.
- د) دسته ها و سطوح دستگیره ها را خشک، تمیز و عاری از روغن و گریس نگه دارید. با دسته ها و سطوح دستگیره های لیز نمی توان در شرایط غیرمنتظره بطور ایمن با ابزار کار کرد و کنترل آنرا داشت.
- ه) مراقبت و نظیر استفاده از ابزارهای شارژی
- ا) باطری ها را منحصراً در دستگاهایی شارژ کنید که توسط سازنده توصیه شده باشند. در صورتیکه برای شارژ باطری، آنرا در شارژری قرار دهید که برای آن باطری ساخته نشده است، خطر آتشسوزی وجود دارد.
- ب) در ابزار آلات الکتریکی، فقط از باطری هایی استفاده کنید که برای آن در نظر گرفته شده اند. استفاده از باطری های متفرقه می تواند منجر به جراحات و حریق گردد.
- ت) در صورت عدم استفاده از باطری برای آنرا از گیره های فلزی، سکه، کلید، میخ، پیچ و دیگر وسایل کوچک فلزی دور نگه دارید، زیرا این وسایل ممکن است باعث ایجاد اتصالی شوند. ایجاد اتصالی بین دو قطب باطری (ترمینالهای باطری) میتواند باعث سوختگی و ایجاد حریق شود.
- ث) استفاده بی رویه از باطری میتواند باعث خروج مایعات از آن شود. از دست زدن به آن خود داری کنید. در صورت تماس اتفاقی با آن، دست خود را با آب بشوئید. در صورت آلوده شدن چشم با این مایع، باید به پزشک مراجعه کنید. مایع خارج شده از باطری میتواند باعث التهاب پوست و سوختگی شود.
- ج) اگر یک بسته باطری یا ابزار آسیب دیده یا دستکاری شده اند، نباید از آنها استفاده کنید. باطری های آسیب دیده یا دستکاری شده ممکن است کارکرد غیرقابل پیش بینی داشته و منجر به آتش سوزی یا انفجار شده و یا خطر جراحات ایجاد کنند.
- ح) یک بسته باطری یا ابزار را در معرض آتش یا دماهای خیلی زیاد قرار

الصيانة / الخدمة

- لم يتم تصميم هذه الأداة للاستخدام الاحترافي؛
- الحفاظ على نظافة الأداة والشاحن
- ! **قم بفصل الشاحن عن مصدر الطاقة قبل عملية التنظيف**
- إذا تعذر تشغيل الأداة/الشاحن على الرغم من الحذر الشديد في إجراءات التصنيع والاختبار، فيجب القيام بالإصلاحات بواسطة مركز خدمة ما بعد البيع لأدوات الطاقة التابع لشركة SKIL.
- قم بإرسال الأداة أو الشاحن دون تفكيكها بالإضافة إلى إثبات الشراء إلى البائع أو أقرب محطة خدمة SKIL (العناوين بالإضافة إلى مخطط الخدمة متاح على www.skil.com).
- كن على علم بأن التلف الناتج عن زيادة التحميل أو التعامل مع الأداة بطريقة خاطئة سيتم استثناءه من الضمان (المعرفة شروط ضمان SKIL انظر www.skil.com أو قم بسؤال بائع المعدات)

البيئة المحيطة

- لا تتخلص من الأدوات الكهربائية والملحقات ومواد التنظيف مع النفايات المنزلية (لدول الاتحاد الأوروبي فقط):
- وفقاً للتوجيه الأوروبي 2012/19/EC حول نفايات المعدات الكهربائية والإلكترونية وتطبيقه بالتوافق مع القانون المحلي، يجب جمع الأدوات الكهربائية منتهية الصلاحية بشكل منفصل وإرسالها إلى أحد منشآت إعادة التصنيع المتوافقة مع البيئة
- سيذكر الرمز (V) بهذا عند الحاجة إلى التخلص من أية أداة:
- ! **قم بإخراج البطاريات قبل التخلص من الأداة**
- فك/التخلص من البطاريات (11)
- ! **لا تقم بفك البطاريات إلا عندما تفرغ تماماً:**
- قم بحماية أطراف البطارية بشرط قوي لمنع حدوث دائرة قصيرة;
- تخلص من البطاريات في الأماكن الرسمية الخاصة بتجميع البطاريات;
- ! **قد تنفجر البطاريات عندما تتعرض للنار، لذا لا تحرق البطارية لأي سبب**

الضوضاء / الاهتزاز

- عند القياس بالتوافق مع EN 10745، يكون مستوى ضغط صوت هذه الأداة > 70 ديسيبل (أ) (الانحراف المعياري: 3 ديسيبل). والاهتزاز > 2,5 م/ث² (مجموع المنحنيات بثلاثة: K غير مؤكد = 1,5 م/ث²)
- تم قياس مستوى الاهتزازات بالتوافق مع الاختبار المعياري المحدد في EN 10745؛ يمكن استخدامه لمقارنة أداة بأداة أخرى وكتقييم تمهيدي للتعرض للاهتزاز عند استخدام الأداة في التطبيقات الموضحة:
- قد يؤدي استخدام الأداة في تطبيقات مختلفة أو مع ملحقات مختلفة أو ذات صيانة رديئة إلى زيادة مستوى التعرض بصورة كبيرة؛
- إن الفترة الزمنية التي يتم خلالها إيقاف تشغيل الأداة أو عندما تكون قيد التشغيل لكنها لا تؤدي أية

مهام. تؤدي إلى تقليل مستوى التعرض بصورة كبيرة؛
! **قم بحماية نفسك من تأثيرات الاهتزاز من خلال صيانة الأداة وملحقاتها، والحفاظ على يديك دافئتين وتنظيم أحمال العمل لديك:**

FA

٢٧١٠

يژراش یتشوگ جی پی

مقدمه

- این ابزار چپ/راست گرد برای استفاده بعنوان پیچ گوشتی و پیش دریل کاری در چوب طراحی شده است
- این ابزار برای مصارف حرفه ای مناسب نیست
- لطفاً این دفترچه راهنما را مطالعه کرده و نگهدارید

②

اطلاعات فنی ①

حداکثر گشتاور برای استفاده بعنوان پیچ گوشتی بر اساس ISO 5292: ۷ نیوتن متر

اجزای ابزار ②

- A شارژر
- B کنساکت شارژر
- C نشانگر شارژ باتری
- D کلید روشن/خاموش
- E کلید تغییر جهت چرخش
- F کلید گردان باز کردن قفل لولا
- G نگهدارنده آهنربایی سرهای پیچ گوشتی
- H جرای DEL
- J محل قرار دادن سر ابزار

ایمنی

راهنمایی های ایمنی عمومی برای ابزارهای الکتریکی

FA هشدار تمامی هشدارهای ایمنی، دستورالعمل ها، تصاویر و مشخصات فنی ارائه شده همراه با این ابزار الکتریکی را مطالعه کنید در صورت عدم رعایت هشدارهای زیر خطر برق گرفتگی، آتش سوزی و/یا بروز جراحت های شدید وجود خواهد داشت.

همه هشدارها و راهنمایی ها را برای استفاده آتی نگهداری کنید.

در این هشدارها عبارت "ابزار الکتریکی" به معنی ابزارهای الکتریکی فاقد باتری (با سیم برق) و یا ابزارهای الکتریکی باتری دار (شارژی) است

① ایمنی محل کار

- أ) محل کار خود را تمیز، مرتب و مجهز به نور کافی نگهدارید. محیط کار نامرتب و کم نور میتواند باعث سوانح کاری شود.
- ب) با ابزار الکتریکی در محیط هایی که در آن خطر انفجار وجود داشته و حاوی مایعات، گازها و غبارهای محترقه باشد، کار نکنید. ابزارهای الکتریکی جرقه های ایجاد می کنند که می توانند باعث آتش گرفتن گردد و بخار های موجود در هوا شوند.

بالتنظيف أو أداء صيانة المستخدم على شاحن البطارية بدون إشراف؛

لا تستخدم الشاحن إذا تعرض للتلوث
درجة الحرارة المحيطة المسموح بها (الأداة/الشاحن/
البطارية):

- عند الشحن ٤...٤٠° مئوية
- أثناء التشغيل ٢٠...٥٠° مئوية
- أثناء التخزين ٢٠...٥٠° مئوية

الملحقات

تضمن SKIL التشغيل السليم للأداة فقط عند
استخدام الملحقات الأصلية:

قبل الاستخدام

- تأكد دائمًا من أن فولتية الإمداد هي نفسها المشار إليها
على لوحة الاسم الخاصة بالشاحن
- جنب التلف الذي قد تتسبب فيه البراغي والمسامير
والعناصر الأخرى الموجودة في القطعة التي تعمل بها.
- قم بفكهم قبل بدء العمل:
- ثبت قطعة العمل (الإمسك بقطعة عمل مثبتة
بأجهزة تثبيت أو في ملزمة أكثر أمانًا من مسكها باليد):
- استخدم كاشفات ملائمة للعثور على خط المرافق أو
اطلب شركة المرافق المحلية للحصول على مساعدة
(التلامس مع خطوط إمداد الكهرباء قد يؤدي إلى حدوث
حريق أو صدمة كهربائية؛ وتلف خط الغاز قد يؤدي إلى
حدوث انفجار؛ واختراق أنابيب المياه سيتسبب في حدوث
ضرر في الممتلكات أو صدمة كهربائية)؛

أثناء الاستخدام

- أمسك الأداة الكهربائية من الأسطح القابضة
المعزولة، عند إجراء أي عملية قد تتلامس فيها أداة
القطع أو الإبريز مع سلك مستتر (عند تلامس أداة
القطع والإبريز مع سلك مكشوف "حي" قد يوصل
الكهرباء إلى الأجزاء المعدنية المكشوفة في الأداة
الكهربائية. ما يؤدي إلى إصابة المستخدم بصدمة
كهربائية)
- في حالة حدوث خلل كهربائي أو ميكانيكي. قم في الحال
بإيقاف تشغيل الأداة أو أقفل الشاحن عن مصدر
الطاقة

شرح الرموز الموجودة على الأداة/الشاحن

- ٣ قم بقراءة دليل الإرشادات قبل الاستخدام
- ٤ لا تستخدم الشاحن إلا في الأماكن الداخلية
- ٥ العزل المزوج (لا يلزم سلك أرضي)
- ٦ قد تتسبب القطبية غير الصحيحة في وصلة
الشاحن في حدوث خطر (فقط قم بشحن البطارية
باستخدام الشاحن المزود؛)
- ٧ لا تنخلص من الأدوات الكهربائية والبطاريات مع
النفايات المنزلية

الاستخدام

- شحن البطارية ٨
- ! لا تصل البطارية الجديدة أو تلك التي لم يتم
استخدامها لفترة طويلة سعتها بالكامل إلا بعد
٥ دورات شحن/تفريغ شحن تقريبيًا؛

- وصل الشاحن A بكلا من مقبس الخائط ووزر التلامس
B:
- يضيء المؤشر C باللون الأخضر مشيرًا إلى أنه جاري
شحن البطارية:
- عند اكتمال شحن البطارية. سينطفئ المؤشر C
(بعد ٣ ساعات تقريبًا):
- يمكن شحن بطارية أيون الليثيوم في أي وقت
(فانقطع إجراء الشحن لا يسبب تلفًا للبطارية)
- لا يلزم أن تكون بطارية أيون الليثيوم فارغة تمامًا قبل
شحنها (حيث إنها لا تتعرض لمشكلة تأثير الذاكرة
كما في بطاريات نيكيل-كادميوم)
- لا يمكن استخدام الأداة أثناء إجراء الشحن: لا تكون
تالفة عند توقف تشغيلها أثناء إجراء الشحن:
- إذا كنت تتوقع عدم استخدام الأداة لفترات طويلة.
فمن الأفضل فصل الشاحن عن مصدر الطاقة:
- التشغيل/إيقاف التشغيل ٩
- تغيير اتجاه الدوران ١٠
- في حالة عدم الضبط في الوضع الأيمن/اليسار بشكل
صحيح D ٢) يتعذر تنشيط المفتاح
- ! لا يتم تغيير اتجاه الدوران إلا عند توقف حركة الأداة
تمامًا:
- تغيير السنون ١١
- ادفع القلعة للوضع النهائي في حامل للقمم G
- ! يحظر استخدام السنون مع ساق تدوير تالف
- القفل التلقائي لجور الدوران
- يتيح لك ربط أو تحرير براغي. وإذا استدعى الأمر ١٢):
- مصباح LED ١٣
- مصباح LED H يضيء تلقائيًا عند تشغيل المفتاح D.
حتى عندما يكون المفتاح E في الوضع المركزي (القفل)
- وحدة تخزين بت في المقدمة ل ٢
- توفر تخزين ل ٢ بت في المقدمة:
- مابين مستوي البطارية
- عندما يضيء المؤشر C ١) باللون الأحمر أثناء الضغط
على المفتاح D ٢) جزئيًا. فالبطارية تشتمل على ٣٠٪
من سعة الشحن ويجب شحنها:
- وضعي المقبض ١٤
- حماية البطارية
- قم بإيقاف تشغيل الأداة تلقائيًا عندما:
ترتفع درجة حرارة البطارية للغاية (> ٦٥° درجة مئوية)
تصبح بطارية أيون الليثيوم شبه فارغة (لحمايتها ضد
التفريغ التام للشحنة)

توصيات الاستخدام

- استخدام السنون الملائمة ١٥
- ! لا تستخدم لقم تالفة
- ! لا تستخدم سوى لقم ذات عمود سداسي:
- عند ربط برغي في/بالقرب من طرف مقطع عرضي أو
حافة قطع خشبية يجب عمل ثقب تحضيرى لفتحة.
تفاديا لحدوث تشقق بالخشب:
- للاستخدام الأمثل للأداة. يتطلب الأمر الضغط بثبات
على البرغي. وبالأخص عند إزالته
- عند تركيب البراغي داخل الخشب الصلب. يجب الثقب
مسبقًا لعمل فتحة:
- لمزيد من المعلومات زر موقعنا www.skil.com

ج) اعتن بالعدة الكهرائية بشكل جيد. تفحص عما إذا كانت أجزاء الجهاز المتحركة تعمل بشكل سليم وبأنها غير مستعمية عن الحركة أو إن كانت هناك أجزاء نكيفة وحادة أو تالفة لدرجة تؤثر فيها على حسن أداء العدة الكهرائية. ينبغي تصليح هذه الأجزاء التالفة قبل إعادة تشغيل الجهاز الكثير من الحوادث مصدرها العدد الكهرائية التي تم صيانتها بشكل ردي:

ح) حافظ على إبقاء عند الأجزاء نظيفة وحادة. إن عدد القطع ذات حواف القطع الحادة التي تم صيانتها بعناية تتكبلش بشكل أقل ويمكن توجيهها بشكل أسير.

خ) استخدم العدد الكهرائية والتوايع وعدد الشغل وإلخ حسب هذه التعليمات. تراعى أثناء ذلك شروط الشغل والعمل المراد تنفيذها. استخدام العدد الكهرائية لغبر الأشغال المتخصصة لأجلها قد يؤدي إلى حدوث الحلات الخطيرة.

د) احرص على جفاف المقابض وأسطح الإمساك ونظافتها وخلوها من الرزيت والشحم، لا تسمح للمقابض وأسطح الإمساك الرلقة بالاستخدام والتحكم الآمن في الأداة في الحلات غير المتوقعة:

هـ) حسن معاملة واستخدام العدد المزودة بمركم
أ) اشحن المراكم فقط في أجهزة الشحن التي ينصح باستخدامها من طرف المنتج. يعم خطر نشوب الحرائق بأجهزة الشحن المتخصصة لنوع معين من المراكم إن تم استخدامها مع نوع آخر من المراكم.

ب) استخدم بالعدد الكهرائية فقط المراكم المتخصصة لذلك. قد يؤدي استخدام المراكم الأخرى إلى الإصابات إلى خطر نشوب الحرائق.

ت) حافظ على إبعاد المراكم الذي لا يتم استعماله عن مشابك الورق وقطع النقود المعدنية والمفاتيح والسامير واللواب أو غيرها من الأغراض المعدنية الصغيرة التي قد تقوم بتوصيل الملامسين ببعضهما البعض. قد يؤدي تقصير الدارة الكهرائية بين ملامس المركم على الإحترق أو إلى إنذاع النار.

ث) قد يتسرب السائل من المركم عند سوء الاستعمال. تجنّب ملامسته. اشطفه بالماء في حال ملامسته صدفة. إن وصل السائل إلى العينين، فراجع الطبيب إضافة إلى ذلك. قد يؤدي سائل المركم المتسرب إلى تهيج البشرة أو إلى الإحترق.

ج) لا تستخدم حزمة بطاريات أو أداة تالفة أو معدلة. قد تظهر البطاريات التالفة أو المعدلة سلوكيات غير متوقعة نجم عنها حدوث حريق أو انفجار أو خطر التعرض للإصابة.

ح) تجنّب تعريض حزمة البطاريات أو الأداة للهيب أو درجة الحرارة الزائدة التعريض للهيب أو درجة حرارة أعلى من ٠٣١ درجة مئوية قد يتسبب في حدوث انفجار.

خ) اتبع كل تعليمات الشحن ولا تقم بشحن حزمة البطاريات أو الأداة خارج نطاق درجة الحرارة المهدد في التعليمات. إن الشحن على نحو غير صحيح أو عند درجات حرارة تتجاوز النطاق المهدد قد يتسبب في تلف البطارية وزيادة خطر حدوث حريق.

١٦ الخدمة
أ) اسمح بتصليح عدتك الكهرائية فقط من قبل المتخصصين و فقط بإستعمال قطع الغيار الأصلية. يؤمن ذلك المحافظة على أمان الجهاز.

ب) تجنّب تماماً حزمة بطاريات تالفة. ينبغي إجراء أعمال الخدمة على حزم البطاريات بمعرفة الشركة للصنعة أو مزودي الخدمة المعتمدين فقط.

تعليمات السلامة الخاصة بمفكات اللواب اللاسلكية

معلومات عامة

- لا تعمل باستخدام مواد تشتمل على الأسبستوس (يعتبر الأسبستوس مادة مسرطنة):
- الغبار الناتج من المواد كالطلاء الذي يحتوي على رصاص وبعض أنواع الأخشاب والمعادن والمكونات المعدنية قد يكون ضارًا (ملامسة أو استنشاق الغبار قد تتسبب في إصابة المشغل أو من يجاوره بأمراض الحساسية) وأو

أمرض الجهاز التنفسي): قم بارتداء قناع للغبار مع العمل باستخدام جهاز شفط للغبار. طالما أمكن توصيله

- ثمة أنواع معينة من الغبار تصنف على أنها مواد مسببة للسرطان (مثل غبار خشب البوط والزان) خاصة عند استخدامها مع مواد مضافة لمعالجة الخشب: قم بارتداء قناع للغبار مع العمل باستخدام جهاز شفط للغبار. طالما أمكن توصيله
- التزم بالمتطلبات الوطنية الخاصة بالغبار عند العمل باستخدام المواد المطلوبة
- لا تعرض الأداة/الشاحن للماء:
- لا تقم بفق أجزاء الشاحن أو الأداة:
- تأكد من أن المفتاح E ① في الوضع المركزي (الفضل) قبل إجراء أية تعديلات أو تغيير للمحفات وكذلك عند حمل أو تخزين الأداة

شحن البطاريات

- استخدم شاحن SKIL رقم Z-٧٣٧٩-٠٢١١٠ موديل (U.K). Z-٧٣٨٣-٠٢١١٠ فقط مع هذه الأداة

يمكن استخدام هذا

الشاحن بواسطة الأطفال

من سن ٨ وما فوق ذوي

القدرات البدنية أو الحسية

أو العقلية المنخفضة أو

محدودي الخبرة والمعرفة

في حالة وجود فرد مسئول

عن سلامتهم يقوم

بالإشراف عليهم أو قام

بإرشادهم إلى كيفية

التشغيل الآمن للشاحن

والتأكد من استيعابهم

للمخاطر المترنة (وإلا

فسيكون هناك خطر

حدوث أخطاء في التشغيل

والتعرض للإصابة)

• يجب الإشراف على

الأطفال (سيضمن هذا عدم

قيام الأطفال باللعب

بالشاحن)

• يجب ألا يقوم الأطفال

مقدمة

- إن هذه الأداة بدوران لليسار/الليمين مخصصة لفك اللوالب والتغيب التحضير في الأخشاب:
- لم يتم تصميم هذه الأداة للاستخدام الاحترافي:
- اقرأ دليل التعليمات هذا واحتفظ به (٣)

البيانات الفنية ١

أقصى عزم مستخدم لفك البراغي وفقاً لمعايير الأيزو
٥١٩٢:٧ نيوتن متر

مكونات الأداة ٢

- A الشاحن
B زر تلامس الشاحن
C مبین مستوی البطارية
D مفتاح التشغيل/إيقاف
E مفتاح لتغيير اتجاه الدوران
F مقبض فتح المركز
G حامل القلم المغناطيسي
H مصباح DEL
J وحدة تخزين بت

أمان

تحذيرات السلامة العامة للأداة الكهربائية

⚠ تحذير اقرأ كل تحذيرات السلامة والتعليمات والأشكال الإيضاحية والموصفات المرفقة مع هذه الأداة الكهربائية فقد يؤدي الإخفاق في الالتزام بكل التعليمات المبينة فيما يلي إلى التعرض لصدمة كهربائية وأو حريق وأو إصابة خطيرة.

احتفظ بكل التحذيرات للرجوع إليها في المستقبل

التحذيرات إلى الأداة الكهربائية الخاصة بك التي « الأداة الكهربائية » يشير المصطلح تعمل بطاقة المأخذ الرئيسي (باستخدام سلك (أو بطاقة البطارية) بدون سلك):

١) الأمان بمكان الشغل

أ) حافظ على نظافة وجسناً وإضاءة مكان شغلك. الفوضى في مكان الشغل ومجالات العمل الغير مضارة قد تؤدي إلى حدوث الحوادث.

ب) لا تشغل بالعدة الكهربائية في محيط معرض خطر الانفجار والذي تتوفر فيه السوائل أو الغازات أو الأبخرة القابلة للاشتعال. العدد الكهربائية تشكل الشرر الذي قد يتطاير. فيشعل الأبخرة والأبخرة.

ت) حافظ على بقاء الأطفال وغيرهم من الأشخاص على بعد عندما تستعمل الأداة الكهربائية. قد تفقد السيطرة على الجهاز عند التلوي.

٢) الأمان الكهربائي

أ) يجب أن يتلامس قابس وصل الأداة الكهربائية مع المقبس. لا يجوز تغيير القابس بأي حال من الأحوال. لا تستعمل القوايس المهينة مع العدد الكهربائية المؤرضة تأريض قفاتي. تخفض القوايس التي لم يتم تغييرها والمقابس الملائمة من خطر الصدمات الكهربائية .

ب) تجنب ملامسة السطوح المؤرضة كالألأابيب وراياتورات التحفنة والدافني أو البرادات بواسطة جسمك. يزداد خطر الصدمات الكهربائية عندما يكون جسمك مؤرض.

ت) أبعد الأداة الكهربائية عن الأمطار أو الرطوبة. يزداد خطر

الصدمات الكهربائية إن تسرب الماء إلى داخل الأداة الكهربائية.

ث) يجب عدم إساءة استخدام الكابل. لا تسن استعمال الكابل لحمل الأداة الكهربائية أو لتعليقها أو لسحب القابس من المقبس. حافظ على إبعاد الكابل عن الحرارة والزيوت والحواف الحادة أو عن أجزاء الجهاز المتحركة. تزيد الكابلات التالفة أو المتشابكة من خطر الصدمات الكهربائية.

ج) استخدم فقط كابلات التوصيد الصالحة للإستعمال الخارجي أيضاً عندما تستعمل بالعدة الكهربائية في الحلاء. يخفض استعمال كابل تمديد مخصص للإستعمال الخارجي من خطر الصدمات الكهربائية.

ح) إن لم يكن بالإمكان عدم تشغيل الأداة الكهربائية في الأجواء الرطبة. فاستخدم مفتاح للوقاية من التيار المتردد. إن استخدام مفتاح للوقاية من التيار المتردد يقلل خطر الصدمات الكهربائية.

٣) أمان الأشخاص

أ) كن يقظاً وأنتبه إلى ما تفعله وقم بالعمل بواسطة الأداة الكهربائية بتفعل. لا تستخدم عدة كهربائية عندما تكون متعب أو عندما تكون تحت تأثير المخدرات أو الكحول أو الأدوية. عدم الإنبه للحظة واحدة عند استخدام الأداة الكهربائية قد يؤدي إلى إصابة خطيرة.

ب) ارتد عتاد الوقاية الخاص. وارثد دائماً نظارات واقية. يجب إرتداء عتاد الوقاية الخاص. كفتاح الوقاية من الغبار وأحذية الأمان الواقية من الإرتلاق والتخوذ واقية الأذن. حسب نوع وإستعمال الأداة الكهربائية. من خطر الإصابة بجروح.

ت) تجنب التشغيل بشكل غير مقصود. تأكد من كون الأداة الكهربائية مطفأة قبل وصلها بإمداد التيار الكهربائي و/ أو بالمركم. وقبل رفعها أو حملها. إن كنت تضع إصبعك على المفتاح أثناء حمل الأداة الكهربائية أو إن وصلت الجهاز بالشبكة الكهربائية عندما يكون قيد التشغيل. فقد يؤدي ذلك إلى حدوث الحوادث.

ث) انزع عدد الضبط أو مفتاح الربط قبل تشغيل الأداة الكهربائية. قد تؤدي الأداة أو المفتاح المتواجد في جزء دوار من الجهاز إلى الإصابة بجروح.

ج) تجنب أوضاع الجسم غير الطبيعية. قف بأمان وحافظ على توازنك دائماً. سيسمح لك ذلك من السيطرة على الجهاز بشكل أفضل في المواقف غير المتوقعة.

ح) ارتد ملابس مناسبة. لا ترتدي الثياب الفضفاضة أو الحلي. حافظ على إبقاء الشعر والثياب والقفازات على بعد عن أجزاء الجهاز المتحركة. قد تتشابك الثياب الفضفاضة والحلي والشعر الطويل بالأجزاء المتحركة.

خ) إن جاز تركيب جهاز شفط وجميع الغبار فتأكد من أنها موصولة وبأنه يتم استخدامها بشكل سليم. قد يقلل

إستخدام جهيزات لشفط الأبخرة من المخاطر الناتجة عن الأبخرة.

د) لا تدع أعتيائك على الاستخدام المتكرر للأدوات يسمح لك بتجاهل مبادئ سلامة الأداة. قد يتسبب الاستخدام بدون أكرثرات في حدوث إصابة بالغة في غضون ثواني.

٤) حسن معاملة واستخدام العدد الكهربائية

أ) لا تطرف في تحميل الجهاز. إستخدم لتنفيذ أشغالك الأداة الكهربائية المخصصة لذلك. إنك تعمل بشكل أفضل وأكثر أماناً بواسطة الأداة الكهربائية الملائمة في مجال الأداة المتكبر.

ب) لا تستخدم الأداة الكهربائية إن كان مفتاح تشغيلها تالف.

العدة الكهربائية التي لم تعد تسمح بتشغيلها أو بإطفائها

خطيرة ويجب أن يتم تصليحها.

ت) اسحب القابس من المقبس و/ أو انزع المركم قبل ضبط الجهاز وقبل إستبدال التوابع أو قبل وضع الجهاز جانباً. تمنع إجراءات الاحتياط هذه تشغيل الأداة الكهربائية بشكل غير مقصود.

ث) احتفظ بالعدد الكهربائية التي لا يتم استخدامها بعيداً عن مثل الأطفال. لا تسمح باستخدام الأداة الكهربائية لن لأخبرة له بها أو لن لم يقرأ تلك التعليمات. العدد الكهربائية خطيرة إن تم استخدامها من قبل أشخاص دون خبرة.