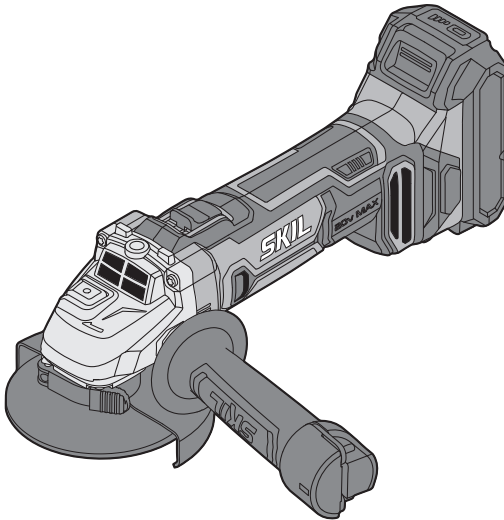


SKIL®

CORDLESS ANGLE GRINDER 3920 (AG1*3920**) 3921 (AG1*3921**)



GB	ORIGINAL INSTRUCTIONS	9	UA	ОРИГІНАЛЬНА ІНСТРУКЦІЯ З ЕКСПЛУАТАЦІЇ	103
F	NOTICE ORIGINALE	14	GR	ΠΡΟΤΟΤΥΠΟ ΟΔΗΓΙΩΝ ΧΡΗΣΗΣ	110
D	ORIGINALBETRIEBSANLEITUNG	20	RO	INSTRUCȚIUNI DE FOLOSIRE ORIGINALE	117
NL	ORIGINELE GEBRUIKSAANWIJZING	26	BG	ОРИГИНАЛНО РЪКОВОДСТВО ЗА ЕКСПЛОАТАЦИЯ	123
S	BRUKSANVISNING I ORIGINAL	32	SK	PŮVODNÝ NÁVOD NA POUŽITIE	130
DK	ORIGINAL BRUGSANVISNING	38	HR	ORIGINALNE UPUTE ZA RAD	136
N	ORIGINAL BRUKSANVISNING	43	SRB	ORIGINALNO UPUTSTVO ZA RAD	141
FIN	ALKUPERÄISET OHJEET	48	SLO	IZVIRNA NAVODILA	147
E	MANUAL ORIGINAL	54	EST	ALGUPÄRANE KASUTUSJUHEND	152
P	MANUAL ORIGINAL	60	LV	ORIĢINĀLĀ LIETOŠANAS PAMĀCĪBA	158
I	ISTRUZIONI ORIGINALI	66	LT	ORIGINALI INSTRUKCIJA	164
H	EREDETI HASZNÁLATI UTASÍTÁS	73	MK	ИЗБОРНО УПАТСТВО ЗА РАБОТА	169
CZ	PŮVODNÍM NÁVODEM K POUŽÍVÁNÍ	79	AL	UDHËZIMET ORIGINALE	176
TR	ORIJİNAL İŞLETME TALİMATI	84	AR	دليل الاستعمال	190
PL	INSTRUKCJA ORYGINALNA	90	FA	راهنمای اصلی	186
RU	ПОДЛИННИК РУКОВОДСТВА ПО ЭКСПЛУАТАЦИИ	96			



EAC

www.skil.com



GB	EU Declaration of conformity		We declare under our sole responsibility that the stated products comply with all applicable provisions of the directives and regulations listed below and are in conformity with the following standards. Technical file at: ★
	Cordless angle grinder	Article number	
F	Déclaration de conformité UE		Nous déclarons sous notre propre responsabilité que les produits décrits sont en conformité avec les directives, règlements normatifs et normes énumérés ci-dessous. Dossier technique auprès de: ★
	Meuleuse d'angle sans fil	Numéro d'article	
D	EU-Konformitätserklärung		Wir erklären in alleiniger Verantwortung, dass die genannten Produkte allen einschlägigen Bestimmungen der nachfolgend aufgeführten Richtlinien und Verordnungen entsprechen und mit folgenden Normen übereinstimmen. Technische Unterlagen bei: ★
	Akku-Winkelschleifer	Sachnummer	
NL	EU-conformiteitsverklaring		Wij verklaren op eigen verantwoordelijkheid dat de genoemde producten voldoen aan alle desbetreffende bepalingen van de hierna genoemde richtlijnen en verordeningen en overeenstemmen met de volgende normen. Technisch dossier bij: ★
	Oplaadbare haakse slijper	Productnummer	
S	EU-konformitetsförklaring		Vi förklarar under eget ansvar att de nämnda produkterna uppfyller kraven i alla gällande bestämmelser i de nedan angivna direktiven och förordningarnas och att de stämmer överens med följande normer. Teknisk dokumentation: ★
	Sladdlös vinkelslipmaskin	Produktnummer	
DK	EU-overensstemmelseserklæring		Vi erklærer som eneansvarlige, at det beskrevne produkt er i overensstemmelse med alle gældende bestemmelser i følgende direktiver og forordninger og opfylder følgende standarder. Tekniske bilag ved: ★
	Batteridrevet vinkelsliber	Typenummer	
N	EU-samsvarserklæring		Vi erklærer under eneansvar at de nevnte produktene er i overensstemmelse med alle relevante bestemmelser i direktivene og forordningene nedenfor og med følgende standarder. Teknisk dokumentasjon hos: ★
	Batteridrevet vinkelsliper	Produktnummer	
FIN	EU-vaatimustenmukaisuusvakuutus		Vakuutamme täten, että mainitut tuotteet vastaavat kaikkia seuraavien direktiivien ja asetusten asiaankuuluvia vaatimuksia ja ovat seuraavien standardien vaatimusten mukaisia. Tekniset asiakirjat saatavana: ★
	Akkukäyttöinen kulmahiomakone	Tuotenumero	
E	Declaración de conformidad UE		Declaramos bajo nuestra exclusiva responsabilidad, que los productos nombrados cumplen con todas las disposiciones correspondientes de las directivas y los reglamentos mencionados a continuación y están en conformidad con las siguientes normas. Documentos técnicos de: ★
	Amoladora angular sin cable	Número de artículo	
P	Declaração de conformidade CE		Declaramos sob nossa exclusiva responsabilidade que os produtos mencionados cumprem todas as disposições e os regulamentos indicados e estão em conformidade com as seguintes normas. Documentação técnica pertencente à: ★
	Rebarbadora sem fios	Número do produto	
I	Dichiarazione di conformità UE		Dichiariamo sotto la nostra piena responsabilità che i prodotti indicati sono conformi a tutte le disposizioni pertinenti delle direttive e dei regolamenti elencati di seguito, nonché alle seguenti normative. Documentazione tecnica presso: ★
	Smerigliatrice angolare senza filo	Codice prodotto	
H	EU konformitási nyilatkozat		Egyedüli felelősséggel kijelentjük, hogy a megnevezett termék megfelel az alábbiakban felsorolásra kerülő irányelvek és rendeletek valamennyi idevágó előírásainak és megfelelnek a következő szabványoknak. Műszaki dokumentumok megőrzési pontja: ★
	Akkumulátoros sarokcsiszoló	Cikkszám	
CZ	EU prohlášení o shodě		Prohlašujeme na výhradní zodpovědnost, že uvedený výrobek splňuje všechna příslušná ustanovení níže uvedených směrnic a nařízení a je v souladu s následujícími normami. Technické podklady u: ★
	Bezdrátová úhlová bruska	Objednací číslo	
TR	AB Uygunluk beyanı		Tek sorumlu olarak, tanımlanan ürünün aşağıdaki yönetmelik ve direktiflerin geçerli bütün hükümlerine ve aşağıdaki standartlara uygun olduğunu beyan ederiz. Teknik belgelerin bulunduğu yer: ★
	Akülü taşlama makinesi	Ürün kodu	
PL	Deklaracja zgodności UE		Oświadczamy z pełną odpowiedzialnością, że niniejsze produkty odpowiadają wszystkim wymaganiom poniżej wyszczególnionych dyrektyw i rozporządzeń, oraz że są zgodne z następującymi normami. Dokumentacja techniczna: ★
	Akumulatorowa szlifierka kątowna	Numer katalogowy	
RU	Заявление о соответствии ЕС		Мы заявляем под нашу единоличную ответственность, что названные продукты соответствуют всем действующим предписаниям нижеуказанных директив и распоряжений, а также нижеуказанных норм. Техническая документация хранится у: ★
	Акумуляторная угловая шлифовальная машина	Товарный номер	
UA	Заява про відповідність ЄС		Мизявляємо під нашу одноособову відповідальність, що названі вироби відповідають усім чинним положенням нищезначених директив і розпоряджень, а також нижчеозначеним нормам. Технічна документація зберігається у: ★
	Бездротова кутова шліфувальна машина	Товарний номер	

GR	Δήλωση πιστότητας ΕΕ		Δηλώνουμε με αποκλειστική μας ευθύνη, ότι τα αναφερόμενα προϊόντα αντιστοιχούν σε όλες τις σχετικές διατάξεις των πιο κάτω αναφερόμενων οδηγιών και κανονισμών και ταυτίζονται με τα ακόλουθα πρότυπα. Τεχνικά έγγραφα στη: *
RO	Declarație de conformitate UE	Αριθμός ευρετηρίου	Declarăm pe proprie răspundere că produsele menționate corespund tuturor dispozițiilor relevante ale directivelor și reglementărilor enumerate în cele ce urmează și sunt în conformitate cu următoarele standarde. Documentație tehnică la: *
BG	ЕС декларация за съответствие	Număr de identificare	С пълна отговорност ние декларираме, че посочените продукти отговарят на всички валидни изисквания на директивите и разпоредбите по-долу и съответства на следните стандарти. Техническа документация при: *
SK	EU vyhlásenie o zhode	Каталожен номер	Vyhlasujeme na výhradnú zodpovednosť, že uvedený výrobok spĺňa všetky príslušné ustanovenia nižšie uvedených smerníc a nariadení a je v súlade s nasledujúcimi normami. Technické podklady má spoločnosť: *
HR	EU izjava o sukladnosti	Kataloški broj	Pod punom odgovornošću izjavljujemo da navedeni proizvodi odgovaraju svim relevantnim odredbama direktiva i propisima navedenima u nastavku i da su sukladni sa sljedećim normama. Tehnička dokumentacija se može dobiti kod: *
SRB	EU-izjava o usaglašenosti	Broj predmeta	Na sopstvenu odgovornost izjavljujemo, da navedeni proizvodi odgovaraju svim dotičnim odredbama naknadno navedenih smernica u uredaba i da su u skladu sa sledećim standardima. Tehnička dokumentacija kod: *
SLO	Izjava o skladnosti ES	Številka artikla	Izjavljamo pod izključno odgovornostjo, da je omenjen izdelek v skladu z vsemi relevantnimi določili direktiv in uredb ter ustrezna naslednjim standardom. Tehnična dokumentacija pri: *
EST	EL-vastavusdeklaratsioon	Tootenumber	Kinnitame ainuvastutajatena, et nimetatud tooted vastavad järgnevalt loetletud direktiivide ja määruste kõiki dele asjaomastele nõuetele ja on kooskõlas järgmistele normidega. Tehnilised dokumendid saadaval: *
LV	Deklarācija par atbilstību EK standartiem	Izstrādājuma numurs	Mēs ar pilnu atbildību paziņojam, ka šeit aplūkotie izstrādājumi atbilst visiem tālāk minētajās direktīvās un rīkojumos ietvertajām saistošajām nostādņēm, kā arī sekojošiem standartiem. Tehniskā dokumentācija no: *
LT	ES atitikties deklaracija	Gaminio numeris	Atsakingai pareiškiame, kad išvardyti gaminiai atitinka visus privalomus žemiau nurodytų direktyvų ir reglamentų reikalavimus ir šiuos standartus. Techninė dokumentacija saugoma: *
MK	EU-Изјава за сообразност	Број на артикл	Со целосна одговорност изјавуваме, дека опишаните производи се во согласност со сите релевантни одредби на следните регулативи и прописи и се во согласност со следните норми. Техничка документација кај: *
AL	EU Deklarata e konformitetit	Numri i nenit	Ne deklarojmë me përgjegjësinë tonë të vetme se produktet e paraqitura janë në përputhje me të gjitha dispozitatet e zbatueshme të direktivave dhe rregulloreve të listuara më poshtë dhe janë në përputhje me standardet si më poshtë. Dosja teknike në: *
3920		AG1*3920**	2006/42/EC EN 60745-1:2009 + A11:2010 2014/30/EU EN 60745-2-3:2011 + A2:2013 + A11:2014 + A12:2014 + A13:2015 2011/65/EU EN 55014-1:2017 EN 55014-2:2015 EN 50581:2012
3921		AG1*3921**	 * Skil BV Konijnenberg 62 4825 BD Breda The Netherlands
		Olaf Dijkgraaf Approval Manager	
		Skil BV, Konijnenberg 62, 4825 BD Breda, NL 13.01.2020	

1

3920

20V Max
18
Volt


2,0 Ah
2,5 Ah


2,2 kg

4,0 Ah
5,0 Ah

2,5 kg


n
8500
/min

115 mm
MAX.


MAX.
22mm



M14

3921

20V Max
18
Volt

2,0 Ah
2,5 Ah


2,3 kg

4,0 Ah
5,0 Ah

2,5 kg

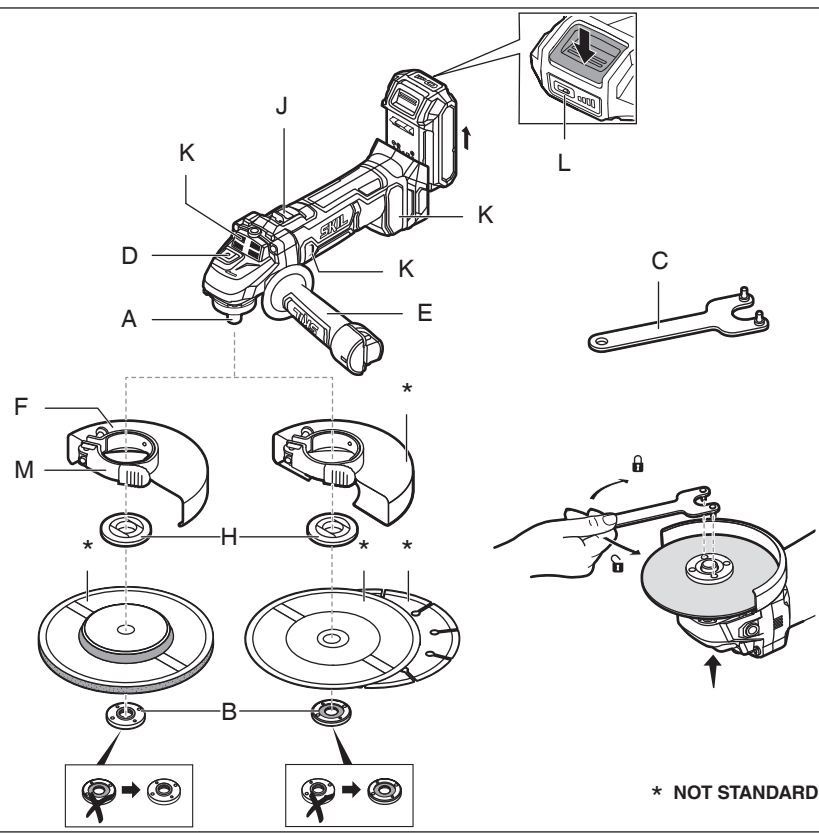

n
8500
/min

125 mm
MAX.

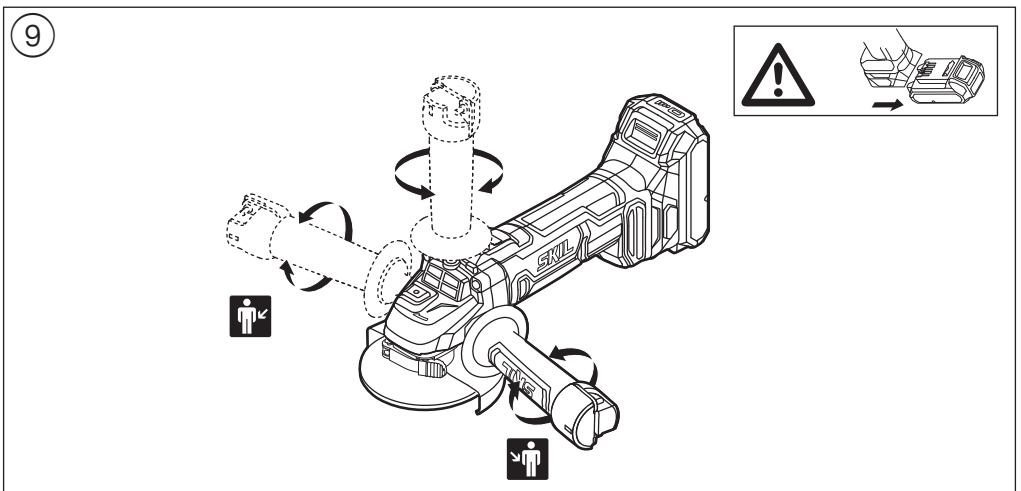
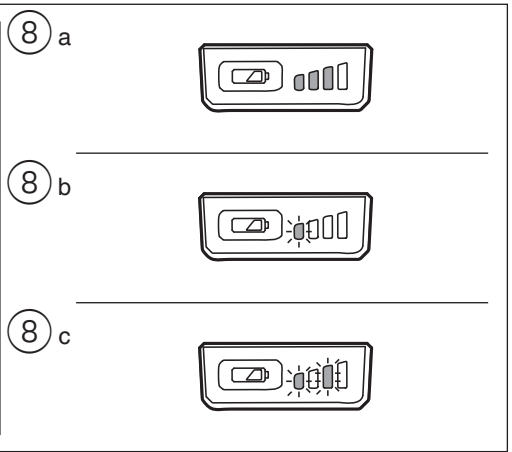
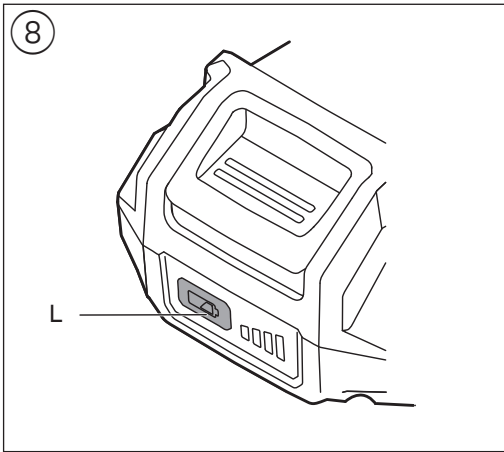
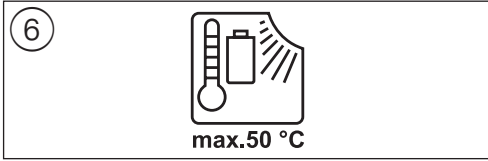
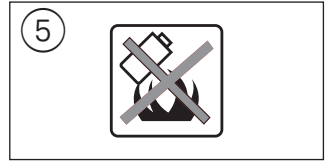

MAX.
22mm



M14

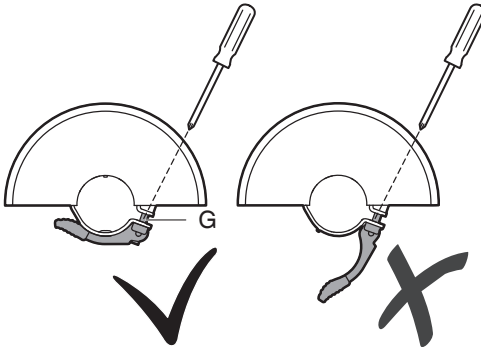
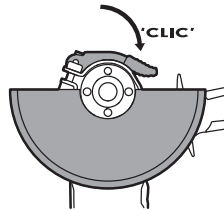
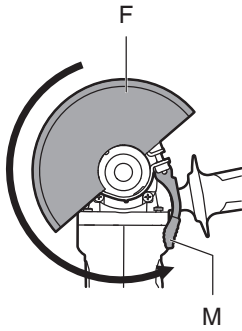
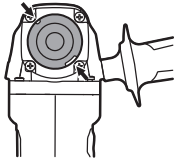
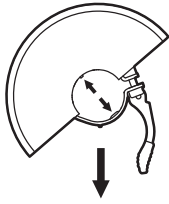
2



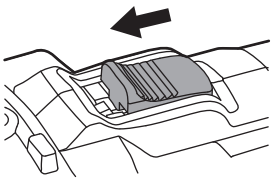
* NOT STANDARD INCLUDED



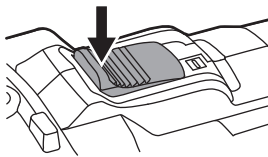
10



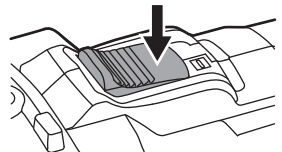
11a



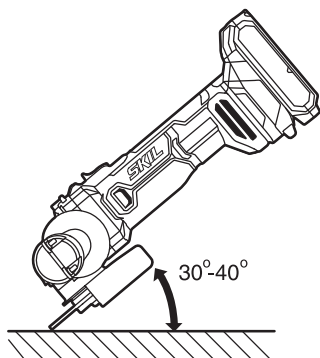
11b



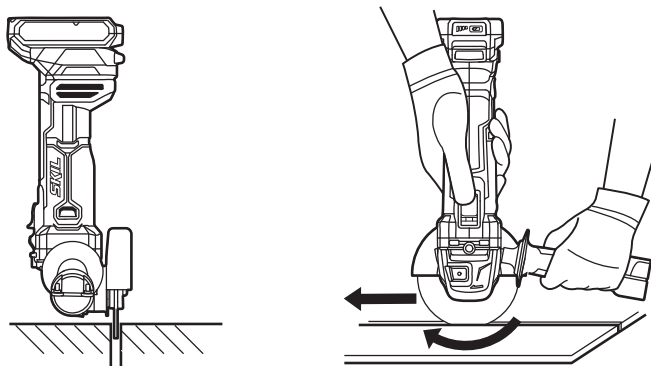
11c



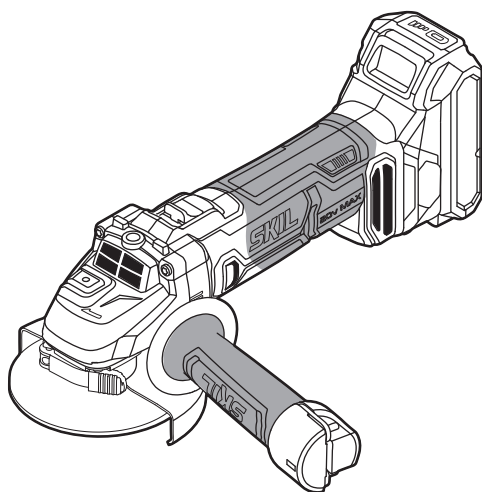
12



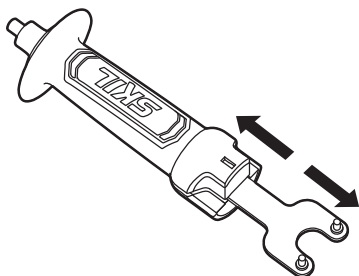
13



14



15



ACCESSORIES



WWW.SKIL.COM

Cordless angle grinder 3920/3921

INTRODUCTION

- This tool is intended for **light** grinding, cutting and deburring metal and stone materials without the use of water
- This tool is not intended for professional use
- **Do not apply pressure on the tool; let the speed of the cutting disc do the work**
- **Cutting operations with abrasive cut-off wheels are only allowed when a cut-off guard (available as optional SKIL accessory 2610S00253 (3920) / 2610S00275 (3921)) is used**
- Read and save this instruction manual ③

TECHNICAL DATA ①

TOOL ELEMENTS ②

- A Spindle
- B Clamping flange
- C Spanner
- D Spindle-lock button
- E Auxiliary handle
- F Protective guard
- G Protective guard screw
- H Mounting flange
- J On/off locking switch
- K Ventilation slots
- L Battery level indicator
- M Protective guard lever

SAFETY

GENERAL POWER TOOL SAFETY WARNINGS

⚠ WARNING Read all safety warnings, instructions, illustrations and specifications provided with this power tool. Failure to follow all instructions listed below may result in electric shock, fire and/or serious injury.

Save all warnings and instructions for future reference.

The term "power tool" in the warnings refers to your mains-operated (corded) power tool or battery-operated (cordless) power tool.

1) WORK AREA SAFETY

- a) **Keep work area clean and well lit.** Cluttered or dark areas invite accidents.
- b) **Do not operate power tools in explosive atmospheres, such as in the presence of flammable liquids, gases or dust.** Power tools create sparks which may ignite the dust or fumes.
- c) **Keep children and bystanders away while operating a power tool.** Distractions can cause you to lose control.

2) ELECTRICAL SAFETY

- a) **Power tool plugs must match the outlet. Never modify the plug in any way. Do not use any adapter plugs with earthed (grounded) power tools.** Unmodified plugs and matching outlets will reduce risk of electric shock.

- b) **Avoid body contact with earthed or grounded surfaces such as pipes, radiators, ranges and refrigerators.** There is an increased risk of electric shock if your body is earthed or grounded.
- c) **Do not expose power tools to rain or wet conditions.** Water entering a power tool will increase the risk of electric shock.
- d) **Do not abuse the cord. Never use the cord for carrying, pulling or unplugging the power tool. Keep cord away from heat, oil, sharp edges or moving parts.** Damaged or entangled cords increase the risk of electric shock.
- e) **When operating a power tool outdoors, use an extension cord suitable for outdoor use.** Use of a cord suitable for outdoor use reduces the risk of electric shock.
- f) **If operating a power tool in a damp location is unavoidable, use a residual current device (RCD) protected supply.** Use of an RCD reduces the risk of electric shock.

3) PERSONAL SAFETY

- a) **Stay alert, watch what you are doing and use common sense when operating a power tool. Do not use a power tool while you are tired or under the influence of drugs, alcohol or medication.** A moment of inattention while operating power tools may result in serious personal injury.
- b) **Use personal protective equipment. Always wear eye protection.** Protective equipment such as a dust mask, non-skid safety shoes, hard hat, or hearing protection used for appropriate conditions will reduce personal injuries.
- c) **Prevent unintentional starting. Ensure the switch is in the off-position before connecting to power source and/or battery pack, picking up or carrying the tool.** Carrying power tools with your finger on the switch or energising power tools that have the switch on invites accidents.
- d) **Remove any adjusting key or wrench before turning the power tool on.** A wrench or a key left attached to a rotating part of the power tool may result in personal injury.
- e) **Do not overreach. Keep proper footing and balance at all times.** This enables better control of the power tool in unexpected situations.
- f) **Dress properly. Do not wear loose clothing or jewellery. Keep your hair and clothing away from moving parts.** Loose clothes, jewellery or long hair can be caught in moving parts.
- g) **If devices are provided for the connection of dust extraction and collection facilities, ensure these are connected and properly used.** Use of dust collection can reduce dust-related hazards.
- h) **Do not let familiarity gained from frequent use of tools allow you to become complacent and ignore tool safety principles.** A careless action can cause severe injury within a fraction of a second.

4) POWER TOOL USE AND CARE

- a) **Do not force the power tool. Use the correct power tool for your application.** The correct power tool will do the job better and safer at the rate for which it was designed.

- b) **Do not use the power tool if the switch does not turn it on and off.** Any power tool that cannot be controlled with the switch is dangerous and must be repaired.
 - c) **Disconnect the plug from the power source and/ or remove the battery pack, if detachable, from the power tool before making any adjustments, changing accessories, or storing power tools.** Such preventive safety measures reduce the risk of starting the power tool accidentally.
 - d) **Store idle power tools out of the reach of children and do not allow persons unfamiliar with the power tool or these instructions to operate the power tool.** Power tools are dangerous in the hands of untrained users.
 - e) **Maintain power tools and accessories. Check for misalignment or binding of moving parts, breakage of parts and any other condition that may affect the power tool's operation. If damaged, have the power tool repaired before use.** Many accidents are caused by poorly maintained power tools.
 - f) **Keep cutting tools sharp and clean.** Properly maintained cutting tools with sharp cutting edges are less likely to bind and are easier to control.
 - g) **Use the power tool, accessories and tool bits etc., in accordance with these instructions, taking into account the working conditions and the work to be performed.** Use of the power tool for operations different from those intended could result in a hazardous situation.
 - h) **Keep handles and grasping surfaces dry, clean and free from oil and grease.** Slippery handles and grasping surfaces do not allow for safe handling and control of the tool in unexpected situations.
- 5) BATTERY TOOL USE AND CARE**
- a) **Recharge only with the charger specified by the manufacturer.** A charger that is suitable for one type of battery pack may create a risk of fire when used with another battery pack.
 - b) **Use power tools only with specifically designated battery packs.** Use of any other battery packs may create a risk of injury and fire.
 - c) **When battery pack is not in use, keep it away from other metal objects like paper clips, coins, keys, nails, screws, or other small metal objects that can make a connection from one terminal to another.** Shorting the battery terminals together may cause burns or a fire.
 - d) **Under abusive conditions, liquid may be ejected from the battery; avoid contact. If contact accidentally occurs, flush with water. If liquid contacts eyes, additionally seek medical help.** Liquid ejected from the battery may cause irritation or burns.
 - e) **Do not use a battery pack or tool that is damaged or modified.** Damaged or modified batteries may exhibit unpredictable behaviour resulting in fire, explosion or risk of injury.
 - f) **Do not expose a battery pack or tool to fire or excessive temperature.** Exposure to fire or temperature above 130°C may cause explosion.
 - g) **Follow all charging instructions and do not charge the battery pack or tool outside the temperature range specified in the instructions.** Charging improperly or at temperatures outside the specified range may damage the battery and increase the risk of fire.

6) SERVICE

- a) **Have your power tool serviced by a qualified repair person using only identical replacement parts.** This will ensure that the safety of the power tool is maintained.
- b) **Never service damaged battery packs.** Service of battery packs should only be performed by the manufacturer or authorized service providers.

SAFETY INSTRUCTIONS FOR ANGLE GRINDERS

1) SAFETY WARNINGS COMMON FOR GRINDING OR ABRASIVE CUTTING-OFF OPERATIONS

- a) **This power tool is intended to function as a grinder or cut-off tool. Read all safety warnings, instructions, illustrations and specifications provided with this power tool.** Failure to follow all instructions listed below may result in electric shock, fire and/or serious injury.
- b) **This power tool is not recommended for sanding, wire brushing or polishing.** Operations for which the power tool was not designed may create a hazard and cause personal injury.
- c) **Do not use accessories which are not specifically designed and recommended by the tool manufacturer.** Just because the accessory can be attached to your power tool, it does not assure safe operation.
- d) **The rated speed of the accessory must be at least equal to the maximum speed marked on the power tool.** Accessories running faster than their rated speed can fly apart.
- e) **The outside diameter and the thickness of your accessory must be within the capacity rating of your power tool.** Incorrectly sized accessories cannot be adequately guarded or controlled.
- f) **Threaded mounting of accessories must match the grinder spindle thread. For accessories mounted by flanges, the arbour hole of the accessory must fit the locating diameter of the flange.** Accessories that do not match the mounting hardware of the power tool will run out of balance, vibrate excessively and may cause loss of control.
- g) **Do not use a damaged accessory. Before each use inspect the accessory such as abrasive wheels for chips and cracks, backing pads for cracks, tear or excess wear, wire brushes for loose or cracked wires. If the power tool or accessory is dropped, inspect for damage or install an undamaged accessory. After inspecting and installing an accessory, position yourself and bystanders away from the plane of the rotating accessory and run the power tool at maximum no load speed for one minute.** Damaged accessories will normally break apart during this test time.
- h) **Wear personal protective equipment. Depending on application, use face shield, safety goggles or safety glasses. As appropriate, wear dust mask, hearing protectors, gloves and shop apron capable of stopping small abrasive or workpiece fragments.** The eye protection must be capable of stopping flying debris generated by various operations. The dust mask or respirator must be capable of filtrating particles generated by your operation. Prolonged exposure to high intensity noise may cause hearing loss.

- i) **Keep bystanders a safe distance away from work area. Anyone entering the work area must wear personal protective equipment.** Fragments of the workpiece or of a broken accessory may fly away and cause injury beyond the immediate area of operation.
- j) **Hold power tool by insulated gripping surfaces only, when performing an operation where the accessory may contact hidden wiring.** An accessory contacting a “live” wire may make exposed metal parts of the power tool “live” and could give the operator an electric shock.
- k) **Position the cord clear of the spinning accessory.** If you lose control, the cord may be cut or snagged and your hand or arm may be pulled into the spinning accessory.
- l) **Never lay the power tool down until the accessory has come to a complete stop.** The spinning accessory may grab the surface and pull the power tool out of your control.
- m) **Do not run the power tool while carrying it at your side.** Accidental contact with the spinning accessory could snag your clothing, pulling the accessory into your body.
- n) **Regularly clean the power tool’s air vents.** The motor’s fan will draw the dust inside the housing and excessive accumulation of powdered metal may cause electrical hazards.
- o) **Do not operate the power tool near flammable materials.** Sparks could ignite these materials.
- p) **Do not use accessories that require liquid coolants.** Using water or other liquid coolants may result in electrocution or shock.

2) KICKBACK AND RELATED WARNINGS

- Kickback is a sudden reaction to a pinched or snagged rotating wheel, backing pad, brush or any other accessory. Pinching or snagging causes rapid stalling of the rotating accessory which in turn causes the uncontrolled power tool to be forced in the direction opposite of the accessory’s rotation at the point of the binding.
- For example, if an abrasive wheel is snagged or pinched by the workpiece, the edge of the wheel that is entering into the pinch point can dig into the surface of the material causing the wheel to climb out or kick out. The wheel may either jump toward or away from the operator, depending on the direction of the wheel’s movement at the point of pinching. Abrasive wheels may also break under these conditions.
- Kickback is the result of power tool misuse and/or incorrect operating procedures or conditions and can be avoided by taking proper precautions as given below.
- a) **Maintain a firm grip on the power tool and position your body and arm to allow you to resist kickback forces. Always use auxiliary handle, if provided, for maximum control over kickback or torque reaction during start-up.** The operator can control torque reactions or kickback forces, if proper precautions are taken.
- b) **Never place your hand near the rotating accessory.** The accessory may kickback over your hand.
- c) **Do not position your body in the area where power tool will move if kickback occurs.** Kickback will propel the tool in the direction opposite to the wheel’s movement at the point of snagging.
- d) **Use special care when working corners, sharp edges etc. Avoid bouncing and snagging the**

accessory. Corners, sharp edges or bouncing have a tendency to snag the rotating accessory and cause loss of control or kickback.

- e) **Do not attach a saw chain woodcarving blade or toothed saw blade.** Such blades create frequent kickback and loss of control.
- 3) **SAFETY WARNINGS SPECIFIC FOR GRINDING AND ABRASIVE CUTTING-OFF OPERATIONS**
 - a) **Use only wheel types that are recommended for your power tool and the specific guard designed for the selected wheel.** Wheels for which the power tool was not designed cannot be adequately guarded and are unsafe.
 - b) **The grinding surface of the centre depressed wheels must be mounted below the plane of the guard lip.** An improperly mounted wheel that projects through the plane of the guard lip cannot be adequately protected.
 - c) **The guard must be securely attached to the power tool and positioned for maximum safety, so the least amount of wheel is exposed towards the operator.** The guard helps to protect the operator from broken wheel fragments, accidental contact with wheel and sparks that could ignite clothing.
 - d) **Wheels must be used only for recommended applications.** For example: Do not grind with the side of a cut-off wheel. Abrasive cut-off wheels are intended for peripheral grinding; side forces applied to these wheels may cause them to shatter.
 - e) **Always use undamaged wheel flanges that are of correct size and shape for your selected wheel.** Proper wheel flanges support the wheel thus reducing the possibility of wheel breakage. Flanges for cut-off wheels may be different from grinding wheel flanges.
 - f) **Do not use worn down wheels from larger power tools.** A wheel intended for a larger power tool is not suitable for the higher speed of a smaller tool and may burst.
- 4) **ADDITIONAL SAFETY WARNINGS SPECIFIC FOR CUTTING OFF OPERATIONS**
 - a) **Do not “jam” the cut-off wheel or apply excessive pressure. Do not attempt to make an excessive depth of cut.** Overstressing the wheel increases the loading and susceptibility to twisting or binding of the wheel in the cut and the possibility of kickback or wheel breakage.
 - b) **Do not position your body in line with and behind the rotating wheel.** When the wheel, at the point of operation, is moving away from your body, the possible kickback may propel the spinning wheel and the power tool directly at you.
 - c) **When the wheel is binding or when interrupting a cut for any reason, switch off the power tool and hold the power tool motionless until the wheel comes to a complete stop. Never attempt to remove the cut-off wheel from the cut while the wheel is in motion, otherwise kickback may occur.** Investigate and take corrective action to eliminate the cause of wheel binding.
 - d) **Do not restart the cutting operation in the workpiece. Let the wheel reach full speed and carefully re-enter the cut.** The wheel may bind, walk up or kickback if the power tool is restarted in the workpiece.

- e) **Support panels or any oversized workpiece to minimize the risk of wheel pinching and kickback.**
Large workpieces tend to sag under their own weight. Supports must be placed under the workpiece near the line of cut and near the edge of the workpiece on both sides of the wheel.
- f) **Use extra caution when making a “pocket cut” into existing walls or other blind areas.** The protruding wheel may cut gas or water pipes, electrical wiring or objects that can cause kickback.

ADDITIONAL SAFETY INSTRUCTIONS

GENERAL

- This tool is not suitable for wet grinding/cutting
- Only use the flanges which are supplied with this tool
- This tool should not be used by people under the age of 16 years
- **Remove battery from tool before making any adjustments or changing accessories**

ACCESSORIES

- SKIL can assure flawless functioning of the tool only when original accessories are used
- For mounting/using non-SKIL accessories observe the instructions of the manufacturer concerned
- **Use only grinding/cutting discs with a maximum thickness of 6 mm and a spindle hole diameter of 22 mm**
- Never use reducers or adaptors to fit large-hole grinding/cutting discs
- Never use accessories with a “blind” threaded hole smaller than M14 x 21 mm
- Handle and store grinding/cutting discs carefully to avoid chipping and cracking

BEFORE USE

- Before using the tool for the first time, it is recommended to receive practical information
- Always mount auxiliary handle E ② and protective guard F ②; never use the tool without them
- **Use suitable detectors to find hidden utility lines or call the local utility company for assistance** (contact with electric lines can lead to fire or electrical shock; damaging a gas line can result in an explosion; penetrating a water pipe will cause property damage or an electrical shock)
- **Do not work materials containing asbestos** (asbestos is considered carcinogenic)
- Dust from material such as paint containing lead, some wood species, minerals and metal may be harmful (contact with or inhalation of the dust may cause allergic reactions and/or respiratory diseases to the operator or bystanders); **wear a dust mask and work with a dust extraction device when connectable**
- Certain kinds of dust are classified as carcinogenic (such as oak and beech dust) especially in conjunction with additives for wood conditioning; **wear a dust mask and work with a dust extraction device when connectable**
- Follow the dust-related national requirements for the materials you want to work with
- Be careful when cutting grooves, especially in supporting walls (slots in supporting walls are subject to country-specific regulations; these regulations are to be observed under all circumstances)
- **Secure the workpiece** (a workpiece clamped with clamping devices or in a vice is held more securely than by hand)

- Do not clamp the tool in a vice

DURING USE

- In case of electrical or mechanical malfunction, immediately switch off the tool and remove battery
- In case of a battery protection cut off, or when the battery is removed, the tool will not restart on its own; for restarting the tool unlock on/off switch and switch on tool again ①

AFTER USE

- After switching off the tool, never stop the rotation of the accessory by a lateral force applied against it

BATTERIES

- **The battery supplied is partially charged** (to ensure full capacity of the battery, completely charge the battery in the battery charger before using your power tool for the first time)
- **Only use the following batteries and chargers with this tool**
 - SKIL battery: BR1*31****
 - SKIL charger: CR1*31****
- Do not use the battery when damaged; it should be replaced
- Do not disassemble the battery
- Do not expose tool/battery to rain
- Permitted ambient temperature (tool/charger/battery):
 - when charging 4...40°C
 - during operation -20...+50°C
 - during storage -20...+50°C

EXPLANATION OF SYMBOLS ON TOOL/BATTERY

- ③ Read the instruction manual before use
- ④ Wear protective glasses and hearing protection
- ⑤ Batteries may explode when disposed of in fire, so do not burn battery for any reason
- ⑥ Store tool/charger/battery in locations where temperature will not exceed 50°C
- ⑦ Do not dispose of electric tools and batteries together with household waste material

USE

- Charging battery
 - ! **read the safety warnings and instructions provided with the charger**
- Removing/installing the battery ②
- Battery level indicator ⑧
 - press the battery level indicator button L to show the current battery level ⑧a
 - ! **when the lowest level of the battery indicator starts flashing after pressing button L ⑧b, the battery is empty**
 - ! **when 2 levels of the battery indicator start flashing after pressing button L ⑧c, the battery is not within the allowable operating temperature range**
- Battery protection
 - The tool is suddenly being switched off or prevented from being switched on, when
 - **the load is too high** --> remove load and restart
 - **the battery temperature is not within the allowable operating temperature range of -20 to +50°C** --> 2 levels of the battery level indicator start flashing when pressing button L ⑧c; wait until battery has returned within the allowable operating temperature range
 - **the battery is nearly empty (to protect against deep discharge)** --> a low battery level or flashing low battery level ⑧b is shown by the battery level indicator when pressing button L; charge battery

- ! **do not continue to press the on/off switch after the tool is switched off automatically; battery may be damaged**
- Mounting of accessories ②
 - ! **remove battery from tool**
 - clean spindle A and all parts to be mounted
 - tighten clamping flange B with spanner C while pushing spindle-lock button D
 - ! **push spindle-lock button D only when spindle A is at a standstill**
 - for removing accessories handle vice-versa
 - ! **grinding/cutting discs become very hot during use; do not touch them until they have cooled down**
 - ! **never use a grinding/cutting disc without the label (“blotter”) which is glued onto it (if provided)**
- Mounting of auxiliary handle E ③
 - ! **remove battery from tool**
 - screw auxiliary handle E on the right, the top, or the left of the tool (depending on the work to be carried out)
- Removing/mounting/adjusting of protective guard F ⑩
 - ! **remove battery from tool**
 - ! **ensure that the closed side of the protective guard always points to the operator**
 - if necessary, adjust protective guard F by tightening screw G which is pre-set at manufacturing (**ensure that the protective guard is closed**)
- Before using the tool
 - ensure that accessory is correctly mounted and firmly tightened
 - check if accessory runs freely by turning it by hand
 - test-run tool for at least 60 seconds at highest no-load speed in a safe position
 - stop immediately in case of considerable vibration or other defects and check tool to determine the cause
- On/off locking switch J ⑪
 - switch on tool ⑪a
 - ! **be aware of the sudden impact when the tool is switched on**
 - ! **before the accessory reaches the workpiece, the tool should run at full speed**
 - lock switch ⑪b
 - unlock switch/switch off tool ⑪c
 - ! **before switching off the tool, you should lift it from the workpiece**
 - ! **the accessory continues to rotate for a short time after the tool has been switched off**
- Grinding ⑫
 - move the tool back and forth with moderate pressure
 - ! **never use a cutting disc for side grinding**
- Cutting ⑬
 - do not tilt the tool while cutting
 - always move the tool in same direction as arrow on tool head, in order to prevent the tool from being pushed out of the cut in an uncontrolled manner
 - do not apply pressure on the tool; let the speed of the cutting disc do the work
 - the working speed of the cutting disc depends on the material to be cut
 - do not brake cutting discs with side pressure
- Holding and guiding the tool
 - always hold the tool firmly with both hands, so you will have full control of the tool at all times
 - ! **while working, always hold the tool at the grey-coloured grip area(s) ⑭**

- provide for a secure stance
- pay attention to the direction of rotation; always hold the tool so, that sparks and grinding/cutting dust fly away from the body
- keep ventilation slots K ⑫ uncovered
- Mounting/removing spanner C ⑮
 - only applicable if tool is executed with auxiliary handle with integrated spanner storage

APPLICATION ADVICE

- For more information see www.skil.com

MAINTENANCE / SERVICE

- This tool is not intended for professional use
- Always keep tool clean (especially ventilation slots K ⑫)
 - ! **remove battery from tool before cleaning**
- If the tool should fail despite the care taken in manufacturing and testing procedures, repair should be carried out by an after-sales service centre for SKIL power tools
 - send the tool **undismantled** together with proof of purchase to your dealer or the nearest SKIL service station (addresses as well as the service diagram of the tool are listed on www.skil.com)
- Be aware that damage due to overload or improper handling of the tool will be excluded from the warranty (for the SKIL warranty conditions see www.skil.com or ask your dealer)

ENVIRONMENT

- **Do not dispose of electric tools, batteries, accessories and packaging together with household waste material** (only for EU countries)
 - in observance of European Directive 2012/19/EC on waste of electric and electronic equipment and its implementation in accordance with national law, electric tools that have reached the end of their life must be collected separately and returned to an environmentally compatible recycling facility
 - symbol ⑦ will remind you of this when the need for disposing occurs
 - ! **prior to disposal protect battery terminals with heavy tape to prevent short-circuit**

NOISE / VIBRATION

- **3920**
Measured in accordance with EN 60745 the sound pressure level of this tool is 80.5 dB(A) and the sound power level 91.5 dB(A) (uncertainty K = 3 dB), and the vibration when surface grinding 5.5 m/s² (triax vector sum; uncertainty K = 1.5 m/s²)
! **other applications (such as cutting-off) may have different vibration values**
- **3921**
Measured in accordance with EN 60745 the sound pressure level of this tool is 80.0 dB(A) and the sound power level 91.0 dB(A) (uncertainty K = 3 dB), and the vibration when surface grinding 4.3 m/s² (triax vector sum; uncertainty K = 1.5 m/s²)
! **other applications (such as cutting-off) may have different vibration values**

- The vibration emission level has been measured in accordance with a standardised test given in EN 60745; it may be used to compare one tool with another and as a preliminary assessment of exposure to vibration when using the tool for the applications mentioned
 - using the tool for different applications, or with different or poorly maintained accessories, may significantly **increase** the exposure level
 - the times when the tool is switched off or when it is running but not actually doing the job, may significantly **reduce** the exposure level
- ! **protect yourself against the effects of vibration by maintaining the tool and its accessories, keeping your hands warm, and organizing your work patterns**

F

Meuleuse d'angle sans fil 3920/3921

INTRODUCTION

- Cet outil sert au meulage, au tronçonnage et à l'ébarbage **léger** de pièces en métal et en pierre sans utiliser de l'eau
- Cet outil n'est pas conçu pour un usage professionnel
- **Ne jamais appliquez une trop forte pression sur l'outil; laissez au disque le soin de faire le travail de par sa propre vitesse**
- **Les opérations de coupe avec disques à tronçonner abrasifs ne sont autorisées que si une protection de tronçonnage (disponible en option comme accessoire SKIL 2610S00253 (3920) / 2610S00275 (3921)) est utilisée**
- Lisez et conservez ce manuel d'instruction ③

CARACTERISTIQUES TECHNIQUES ①

ELEMENTS DE L'OUTIL ②

- A Arbre
- B Bride de serrage
- C Clé
- D Bouton de blocage de l'arbre
- E Poignée auxiliaire
- F Protège-main
- G Vis du protège-main
- H Bride de montage
- J Interrupteur marche/arrêt de verrouillage
- K Fentes de ventilation
- L Indicateur de niveau de charge de la batterie
- M Levier du protège-main

SECURITE

AVERTISSEMENTS DE SECURITE GENERAUX POUR L'OUTIL ELECTRIQUE

AVERTISSEMENT Lisez tous les avertissements de sécurité, toutes les instructions, illustrations et caractéristiques fournies avec cet outil électrique. Le non-respect du suivi de toutes les instructions reprises ci-dessous peut provoquer un électrochoc, un incendie et/ou des blessures graves.

Conservez tous les avertissements et toutes les instructions pour pouvoir s'y reporter ultérieurement.

Le terme "outil électrique" dans les avertissements se rapporte à des outils électriques raccordés au secteur (avec câble de raccordement) et à des outils électriques à batterie (sans câble de raccordement).

1) SECURITE DE LA ZONE DE TRAVAIL

- a) **Maintenez l'endroit de travail propre et bien éclairé.** Un lieu de travail en désordre ou mal éclairé augmente le risque d'accidents.
- b) **N'utilisez pas l'outil électrique dans un environnement présentant des risques d'explosion et où se trouvent des liquides, des gaz ou poussières inflammables.** Les outils électriques génèrent des étincelles risquant d'enflammer les poussières ou les vapeurs.
- c) **Tenez les enfants et autres personnes éloignés durant l'utilisation de l'outil électrique.** En cas d'inattention vous risquez de perdre le contrôle sur l'outil électrique.

2) SECURITE RELATIVE AU SYSTEME ELECTRIQUE

- a) **La fiche de secteur de l'outil électrique doit être appropriée à la prise de courant. Ne modifiez en aucun cas la fiche. N'utilisez pas de fiches d'adaptateur avec des outils électriques avec mise à la terre.** Les fiches non modifiées et les prises de courant appropriées réduisent le risque de choc électrique.
 - b) **Évitez le contact physique avec des surfaces mises à la terre telles que tuyaux, radiateurs, fours et réfrigérateurs.** Il y a un risque élevé de choc électrique au cas où votre corps serait relié à la terre.
 - c) **N'exposez pas l'outil électrique à la pluie ou à l'humidité.** La pénétration d'eau dans un outil électrique augmente le risque d'un choc électrique.
 - d) **N'utilisez pas le câble à d'autres fins que celles prévues, n'utilisez pas le câble pour porter l'outil électrique ou pour l'accrocher ou encore pour le débrancher de la prise de courant. Maintenez le câble éloigné des sources de chaleur, des parties grasses, des bords tranchants ou des parties de l'outil électrique en rotation.** Un câble endommagé ou torsadé augmente le risque d'un choc électrique.
 - e) **Au cas où vous utiliseriez l'outil électrique à l'extérieur, utilisez une rallonge autorisée homologuée pour les applications extérieures.** L'utilisation d'une rallonge électrique homologuée pour les applications extérieures réduit le risque d'un choc électrique.
 - f) **Si l'usage d'un outil dans un emplacement humide est inévitable, utilisez un disjoncteur de fuite à la terre.** L'utilisation d'un disjoncteur de fuite à la terre réduit le risque de choc électrique.
- #### 3) SECURITE DES PERSONNES
- a) **Restez vigilant, surveillez ce que vous faites. Faites preuve de bon sens en utilisant l'outil électrique. N'utilisez pas l'outil électrique lorsque vous êtes fatigué ou après avoir consommé de l'alcool, des drogues ou avoir pris des médicaments.** Un moment d'inattention lors de l'utilisation de l'outil électrique peut entraîner de graves blessures sur les personnes.

- b) **Portez des équipements de protection. Portez toujours des lunettes de protection.** Le fait de porter des équipements de protection personnels tels que masque anti-poussières, chaussures de sécurité antidérapantes, casque de protection ou protection acoustique suivant le travail à effectuer, réduit le risque de blessures.
- c) **Évitez tout démarrage intempestif. S'assurez que l'interrupteur est en position arrêt avant de brancher l'outil au secteur et/ou au bloc de batteries, de le ramasser ou de le porter.** Porter les outils en ayant le doigt sur l'interrupteur ou brancher des outils dont l'interrupteur est en position marche est source d'accidents.
- d) **Enlevez tout outil de réglage ou toute clé avant de mettre l'outil électrique en fonctionnement.** Une clé ou un outil se trouvant sur une partie en rotation peut causer des blessures.
- e) **Ne surestimez pas vos capacités. Veillez à garder toujours une position stable et équilibrée.** Ceci vous permet de mieux contrôler l'outil électrique dans des situations inattendues.
- f) **Portez des vêtements appropriés. Ne portez pas de vêtements amples ni de bijoux. Gardez les cheveux et les vêtements à distance des parties en mouvement.** Des vêtements amples, des bijoux ou des cheveux longs peuvent être happés par des pièces en mouvement.
- g) **Si des dispositifs servant à aspirer ou à recueillir les poussières doivent être utilisés, vérifiez que ceux-ci soient effectivement raccordés et qu'ils sont correctement utilisés.** L'utilisation des collecteurs de poussière réduit les dangers dus aux poussières.
- h) **Restez vigilant et ne pas négligez les principes de sécurité de l'outil sous prétexte que vous avez l'habitude de l'utiliser.** Une fraction de seconde d'inattention peut provoquer une blessure grave.
- 4) UTILISATION ET EMPLOI SOIGNEUX DE L'OUTIL ELECTRIQUE**
- a) **Ne surchargez pas l'outil électrique. Utilisez l'outil électrique approprié au travail à effectuer.** Avec l'outil électrique approprié, vous travaillerez mieux et avec plus de sécurité à la vitesse pour laquelle il est prévu.
- b) **N'utilisez pas un outil électrique dont l'interrupteur est défectueux.** Un outil électrique qui ne peut plus être mis en ou hors fonctionnement est dangereux et doit être réparé.
- c) **Débranchez la fiche de la source d'alimentation et/ ou enlevez le bloc de batteries, s'il est amovible, avant tout réglage, changement d'accessoires ou avant de ranger l'outil électrique.** De telles mesures de sécurité préventives réduisent le risque de démarrage accidentel de l'outil électrique.
- d) **Gardez les outils électriques non utilisés hors de portée des enfants. Ne permettez pas l'utilisation de l'outil électrique à des personnes qui ne se sont pas familiarisées avec celui-ci ou qui n'ont pas lu ces instructions.** Les outils électriques sont dangereux lorsqu'ils sont utilisés par des personnes non initiées.
- e) **Observez la maintenance des outils électriques et des accessoires. Vérifiez que les parties en mouvement fonctionnent correctement et qu'elles ne soient pas coincées, et contrôlez si des parties sont cassées ou endommagées de telle sorte que le bon fonctionnement de l'outil électrique s'en trouve entravé. Faites réparer les parties endommagées avant d'utiliser l'outil électrique.** De nombreux accidents sont dus à des outils électriques mal entretenus.
- f) **Maintenez les outils de coupe aiguisés et propres.** Des outils soigneusement entretenus avec des bords tranchants bien aiguisés se coincent moins souvent et peuvent être guidés plus facilement.
- g) **Utilisez l'outil électrique, les accessoires, les outils à monter etc. conformément à ces instructions. Tenez compte également des conditions de travail et du travail à effectuer.** L'utilisation de l'outil électrique à d'autres fins que celles prévues peut entraîner des situations dangereuses.
- h) **Il faut que les poignées et les surfaces de préhension restent sèches, propres et dépourvues d'huiles et de graisses.** Des poignées et des surfaces de préhension glissantes rendent impossibles la manipulation et le contrôle en toute sécurité de l'outil dans les situations inattendues.
- 5) UTILISATION ET EMPLOI SOIGNEUX DES APPAREILS SANS FIL**
- a) **Ne chargez les accumulateurs que dans des chargeurs recommandés par le fabricant.** Un chargeur approprié à un type spécifique d'accumulateur peut engendrer un risque d'incendie lorsqu'il est utilisé avec d'autres accumulateurs.
- b) **Dans les outils électriques, n'utilisez que les accumulateurs spécialement prévus pour celui-ci.** L'utilisation de tout autre accumulateur peut entraîner des blessures et des risques d'incendie.
- c) **Tenez l'accumulateur non-utilisé à l'écart de toutes sortes d'objets métalliques tels qu'agrafes, pièces de monnaie, clés, clous, vis ou autres, étant donné qu'un pontage peut provoquer un court-circuit.** Un court-circuit entre les contacts d'accu peut provoquer des brûlures ou un incendie.
- d) **En cas d'utilisation abusive, du liquide peut sortir de l'accumulateur. Évitez tout contact avec ce liquide. En cas de contact par mégarde, rincez soigneusement avec de l'eau. Au cas où le liquide rentrerait dans les yeux, consultez en plus un médecin.** Le liquide qui sort de l'accumulateur peut entraîner des irritations de la peau ou causer des brûlures.
- e) **Ne pas utiliser un bloc de batteries ou un outil fonctionnant sur batteries qui a été endommagé ou modifié.** Les batteries endommagées ou modifiées peuvent avoir un comportement imprévisible provoquant un feu, une explosion ou un risque de blessure.
- f) **Ne pas exposer un bloc de batteries ou un outil fonctionnant sur batteries au feu ou à une température excessive.** Une exposition au feu ou à une température supérieure à 130°C peut provoquer une explosion.
- g) **Suivre toutes les instructions de charge et ne pas charger le bloc de batteries ou l'outil fonctionnant sur batteries hors de la plage de températures spécifiée dans les instructions.** Un chargement incorrect ou à des températures hors de la plage spécifiée de températures peut endommager la batterie et augmenter le risque de feu.

6) SERVICE

- a) **Ne faites réparer votre outil électrique que par un personnel qualifié et seulement avec des pièces de rechange d'origine.** Ceci permet d'assurer la sécurité de l'outil électrique.
- b) **Ne jamais effectuer d'opération d'entretien sur des blocs de batteries endommagés.** Il convient que l'entretien des blocs de batteries ne soit effectué que par le fabricant ou les fournisseurs de service autorisés.

INSTRUCTIONS DE SECURITE POUR MEULEUSES D'ANGLE

1) AVERTISSEMENTS DE SECURITE COMMUNS POUR LES OPERATIONS DE MEULAGE OU DE TRONÇONNAGE ABRASIF

- a) **Cet outil électroportatif est à utiliser en tant que meuleuse et en tant qu'outil de tronçonnage. Respecter tous les avertissements, instructions, représentations et données qui sont fournis avec l'outil électroportatif.** Un non-respect des instructions suivantes peut entraîner un choc électrique et / ou de graves blessures.
- b) **Cet outil électrique n'est pas recommandé pour réaliser des opérations de ponçage, de broissage métallique ou de polissage.** Les opérations pour lesquelles cet outil électrique n'a pas été conçu peuvent constituer un risque et provoquer des blessures.
- c) **Ne pas utiliser des accessoires qui ne sont pas spécialement prévus et recommandés par le fabricant pour cet outil électroportatif.** Le fait de pouvoir monter les accessoires sur votre outil électroportatif ne garantit pas une utilisation en toute sécurité.
- d) **La vitesse de rotation admissible de l'accessoire doit être au moins égale à la vitesse de rotation maximale de l'outil électroportatif.** Les accessoires qui tournent à une vitesse de rotation supérieure à celle qui est admise risquent d'être détruits.
- e) **Le diamètre extérieur et la largeur de l'accessoire doivent correspondre aux cotes de votre outil électroportatif.** Les accessoires de mauvaises dimensions ne peuvent pas être protégés ni contrôlés de façon suffisante.
- f) **Le montage fileté d'accessoires doit être adapté au filet de l'arbre de la meuleuse. Pour les accessoires montés avec des flasques, l'alésage central de l'accessoire doit s'adapter correctement au diamètre du flasque.** Les accessoires qui ne correspondent pas aux éléments de montage de l'outil électrique seront en déséquilibre, vibreront de manière excessive et pourront provoquer une perte de contrôle.
- g) **Ne pas utiliser des accessoires endommagés. Avant chaque utilisation, contrôler les accessoires tels que meules pour détecter des éclats et des fissures, les plateaux de ponçage pour détecter des fissures, une certaine usure ou des signes de forte usure, les brosses métalliques pour détecter des fils détachés ou cassés. Au cas où l'outil électroportatif ou l'accessoire tomberait, contrôler s'il est endommagé ou utiliser un accessoire intact. Après avoir contrôlé et monté l'accessoire, se tenir à distance du niveau de l'accessoire en rotation ainsi que les personnes se trouvant à proximité**

et laisser tourner l'outil électroportatif à la vitesse maximale pendant une minute. Dans la plupart des cas, les accessoires endommagés cassent pendant ce temps d'essai.

- h) **Porter des équipements de protection personnels. Selon l'utilisation, porter une protection complète pour le visage, une protection oculaire ou des lunettes de protection. Si nécessaire, porter un masque anti-poussière, une protection acoustique, des gants de protection ou un tablier spécial qui vous protège de petites particules de matériau causées par le meulage.** Protéger vos yeux de corps étrangers projetés dans l'air lors des différentes utilisations. Les masques anti-poussière ou les masques respiratoires doivent filtrer la poussière générée lors de l'utilisation. Une exposition trop longue au bruit fort peut entraîner une perte d'audition.
 - i) **Garder une distance de sécurité suffisante entre votre zone de travail et les personnes se trouvant à proximité. Toute personne entrant dans la zone de travail doit porter un équipement de protection individuel.** Des fragments de pièces ou d'accessoires cassés peuvent être projetés et causer des blessures même en dehors de la zone directe de travail.
 - j) **Ne tenez l'outil à moteur qu'aux poignées isolées, si, pendant les travaux, l'accessoire risque de toucher des câbles électriques cachés.** Un accessoire touchant un fil sous tension peut mettre sous tension les parties métalliques exposées, ce qui pourrait électrocuter l'utilisateur.
 - k) **Garder le câble de secteur à distance des accessoires en rotation.** Si vous perdez le contrôle de l'outil, le câble de secteur peut être sectionné ou happé et votre main ou votre bras risquent d'être happés par l'accessoire en rotation.
 - l) **Déposer l'outil électroportatif seulement après l'arrêt total de l'accessoire.** L'accessoire en rotation peut toucher la surface sur laquelle l'outil est posé, ce qui risque de vous faire perdre le contrôle de l'outil électroportatif.
 - m) **Ne pas laisser tourner l'outil électroportatif pendant que vous le portez.** Suite à un contact involontaire, vos vêtements peuvent être happés par l'accessoire en rotation, et l'accessoire peut rentrer dans votre corps.
 - n) **Nettoyer régulièrement les ouïes de ventilation de votre outil électroportatif.** La ventilation du moteur aspire de la poussière dans le carter, et de la poussière de métal en trop grande quantité peut causer des dangers électriques.
 - o) **Ne pas utiliser l'outil électroportatif lorsqu'il y a des matériaux inflammables à proximité.** Les étincelles risquent d'enflammer ces matériaux.
 - p) **Ne pas utiliser des accessoires qui nécessitent des liquides de refroidissement.** L'utilisation d'eau ou d'autres liquides de refroidissement peut entraîner un choc électrique.
- ### 2) CONTRECOUP ET AVERTISSEMENTS CORRESPONDANTS
- Un contrecoup est une réaction soudaine causée par un accessoire en rotation qui s'accroche ou qui se bloque, tels que meule, plateau de ponçage, brosse métallique, etc. Un coincage ou un blocage entraîne un arrêt soudain de l'accessoire en rotation. Il en résulte que

l'outil électroportatif incontrôlé est accéléré à l'endroit du blocage dans le sens inverse de l'accessoire.

- Par ex., si une meule s'accroche ou si elle se bloque dans la pièce, le bord de la meule qui entre dans la pièce peut se coincer et faire que la meule se déplace ou causer un contrecoup. En fonction du sens de rotation de la meule à l'endroit de blocage, la meule s'approche ou s'éloigne alors de l'utilisateur. Les meules peuvent également casser.
 - Un contrecoup est la suite d'une mauvaise utilisation ou une utilisation incorrecte de l'outil électroportatif. Il peut être évité en prenant des mesures de précaution comme celles décrites ci-dessous.
- a) **Bien tenir l'outil électroportatif et se mettre dans une position permettant de faire face à des forces de contrecoup. Utiliser toujours la poignée supplémentaire, s'il y en a une, pour contrôler au maximum les forces de contrecoup ou les couples de réaction lors de l'accélération à pleine vitesse.**
Par des mesures de précaution appropriées, la personne travaillant avec l'outil peut contrôler le contrecoup et les forces du contrecoup.
 - b) **Ne pas mettre votre main à proximité des accessoires en rotation.** Lors d'un contrecoup, l'accessoire risque de passer sur votre main.
 - c) **Eviter de vous placer dans la zone dans laquelle l'outil électroportatif ira lors d'un contrecoup.**
Le contrecoup entraîne l'outil électroportatif dans le sens opposé au mouvement de la meule à l'endroit de blocage.
 - d) **Etre extrêmement vigilant lors du travail de coins, d'arêtes coupantes etc. Eviter que les accessoires ne rebondissent contre pièce à travailler et ne se coincent.** L'accessoire en rotation a tendance à se coincer aux coins, arêtes coupantes ou quand il rebondit. Ceci cause une perte de contrôle ou un contrecoup.
 - e) **Ne pas utiliser de lames de scie à chaînes ou dentées.** De tels accessoires risquent de produire un contrecoup ou une perte de contrôle de l'outil électroportatif.
- ### 3) AVERTISSEMENTS PARTICULIERS POUR LE PONÇAGE ET LE TRONÇONNAGE ABRASIF
- a) **Pour votre outil électroportatif, n'utiliser que des meules autorisées et le capot de protection conçu pour cette meule.** Les meules qui n'ont pas été conçues pour cet outil électroportatif, ne peuvent pas être suffisamment protégées et présentent alors un danger.
 - b) **La surface de meulage des meules à moyeu déporté doit être montée sous le plan de la lèvres du protecteur.** Une meule montée de manière incorrecte qui dépasse du plan de la lèvres du protecteur ne peut pas être protégée de manière appropriée.
 - c) **Le capot de protection doit être bien monté sur l'outil électroportatif et être réglé de façon à offrir une sécurité maximale, c-à-d. que la meule ne doit pas être dirigée sans protection vers la personne travaillant avec l'outil.** Le capot de protection doit protéger l'opérateur des fragments de meule cassés, d'un contact accidentel avec la meule et d'étincelles qui pourraient enflammer le vêtement.
 - d) **Les meules ne doivent être utilisées que pour les utilisations recommandées.** Par ex.: Ne jamais poncer avec la surface latérale d'un disque à tronçonner. Les

disques à tronçonner sont faits pour enlever de la matière avec le bord du disque. Les forces latérales agissant sur de telles meules peuvent en provoquer la destruction.

- e) **Utiliser toujours des brides de serrage en parfait état qui ont la bonne taille et la forme appropriée à la meule choisie.** Les brides appropriées soutiennent la meule et réduisent alors le danger de voir la meule se casser. Les brides pour les disques à tronçonner peuvent différer de celles pour les autres disques à meuler.
 - f) **Ne pas utiliser les meules usées d'outils électroportatifs plus grands.** Les meules pour les outils électroportatifs plus grands ne sont pas conçues pour les vitesses de rotation élevées des outils électroportatifs plus petits et risquent de casser.
- ### 4) AUTRES AVERTISSEMENTS PARTICULIERS POUR LE TRONÇONNAGE
- a) **Eviter de coincer le disque à tronçonner ou d'appliquer une pression trop élevée. Ne pas réaliser des coupes trop profondes.** Une surcharge du disque à tronçonner en augmente la sollicitation, donc le risque de se coincer ou de se bloquer, ce qui entraînerait un contrecoup ou la destruction de la meule.
 - b) **Eviter la zone se trouvant devant et derrière le disque à tronçonner en rotation.** Si vous éloignez de vous le disque à tronçonner qui se trouve dans la pièce à travailler, l'outil électroportatif peut être projeté directement vers vous dans le cas d'un contrecoup.
 - c) **Si le disque à tronçonner se coince ou lors d'une interruption de travail, mettre l'outil électroportatif hors fonctionnement et le tenir tranquillement jusqu'à l'arrêt total de la meule. Ne jamais essayer de sortir du tracé le disque à tronçonner encore en rotation, sinon il y a un risque de contrecoup.**
Déterminer la cause du blocage et l'éliminer.
 - d) **Ne pas remettre l'outil électroportatif en marche tant qu'il se trouve dans la pièce à travailler. Attendre que le disque à tronçonner ait atteint sa vitesse de rotation maximale avant de continuer prudemment la coupe.** Sinon, le disque risque de se coincer, sauter de la pièce ou causer un contrecoup.
 - e) **Soutenir des grands panneaux ou de grandes pièces à travailler afin de réduire le risque d'un contrecoup causé par un disque à tronçonner coincé.** Les grandes pièces risquent de s'arquer sous leur propre poids. La pièce doit être soutenue des deux côtés par des supports, près du tracé ainsi qu'aux bords de la pièce.
 - f) **Faire preuve d'une prudence particulière lorsqu'une coupe en plongée est effectuée dans des murs ou dans d'autres endroits difficiles à reconnaître.**
Le disque à tronçonner qui pénètre dans le mur peut heurter des conduites de gaz ou d'eau, des conduites électriques ou des objets pouvant causer un contrecoup.

INSTRUCTIONS DE SECURITE SUPPLEMENTAIRES

GENERALITES

- Cet outil ne convient pas pour meuler/tronçonner à mouillage
- Utilisez uniquement les brides livrées avec l'outil
- Cet outil ne doit pas être utilisé par des personnes de moins de 16 ans
- Retirez la batterie de l'outil avant d'effectuer des réglages ou de changer d'accessoire

ACCESSOIRES

- SKIL ne peut se porter garant du bon fonctionnement de cet outil que s'il a été utilisé avec les accessoires d'origine
- Pour le montage et l'utilisation d'accessoires n'étant pas de la marque SKIL, observez les instructions du fabricant concerné
- **N'utilisez que des disques de meulage/tronçonnage ayant une épaisseur maximale de 6 mm et un orifice d'arbre d'un diamètre de 22 mm**
- N'utilisez jamais de réducteurs ni d'adaptateurs pour ajuster des disques ayant un orifice plus grand
- Ne jamais utilisez d'accessoires avec un orifice fileté borgne plus petit que M14 x 21 mm
- Traitez et stockez les disques de meulage/tronçonnage avec précaution pour éviter de les endommager

AVANT L'USAGE

- Avant d'utiliser l'outil pour la première fois, s'en faites enseigner le maniement pratique
- Toujours placez la poignée auxiliaire E ② et le protège-main F ②; ne jamais utilisez l'outil sans avoir pris ces dispositions
- **Utilisez des détecteurs appropriés afin de localiser la présence de conduites électriques ou bien s'adresser à la société locale de distribution** (un contact avec des lignes électriques peut provoquer un incendie et une décharge électrique; le fait d'endommager une conduite de gaz peut entraîner une explosion; le fait d'endommager une conduite d'eau peut entraîner des dégâts matériels ou causer une décharge électrique)
- **Ne travaillez pas de matériaux contenant de l'amiante** (l'amiante est considéré comme étant cancérigène)
- La poussière de matériaux, tels que la peinture contenant du plomb, certaines espèces de bois, certains minéraux et différents métaux, peut être nocive (le contact avec la poussière ou son inhalation peut provoquer des réactions allergiques et/ou des maladies respiratoires chez l'opérateur ou des personnes se trouvant à proximité); **portez un masque antipoussières et travaillez avec un appareil de dépoussiérage lorsqu'il est possible d'en connecter un**
- Certains types de poussières sont classifiés comme étant cancérigènes (tels que la poussière de chêne ou de hêtre), en particulier en combinaison avec des additifs de traitement du bois; **portez un masque antipoussières et travaillez avec un appareil de dépoussiérage lorsqu'il est possible d'en connecter un**
- Suivez les directives nationales relatives au dépoussiérage pour les matériaux à travailler
- Faites fort attention à la découpe d'entailles, particulièrement dans des murs de soutènement (les murs de soutènement sont soumis à des régulations en fonction du pays; il faut en toutes circonstances observer ces régulations)
- **Fixez solidement la pièce à travailler** (une pièce fixée à l'aide de dispositifs de fixation est davantage assurée que si elle était tenue à la main)
- Ne pas serrez l'outil dans un étai

PENDANT L'USAGE

- En cas de dysfonctionnement électrique ou mécanique, mettez directement l'outil hors service et retirez la batterie
- Si la protection de la batterie est coupée, ou que la batterie est retirée, l'outil ne redémarrera pas seul ; pour

le redémarrer, déverrouillez l'interrupteur marche/arrêt et remettez en marche l'outil ①

APRES L'USAGE

- Après la mise hors service de l'outil, ne jamais arrêtez la rotation de l'accessoire en y appliquant une force latérale

BATTERIES

- **La batterie fournie est partiellement chargée** (pour garantir la capacité totale de la batterie, chargez intégralement la batterie dans le chargeur de batterie avant d'utiliser l'outil à moteur pour la première fois)
- **Utilisez uniquement les batteries et les chargeurs suivants avec l'outil**
 - Batterie SKIL : BR1*31****
 - Chargeur SKIL : CR1*31****
- N'utilisez pas la batterie lorsque celle-ci est endommagée ; remplacez-la
- Ne démontez pas la batterie
- N'exposez jamais l'outil/la batterie à la pluie
- Plage de températures autorisées (outil/chargeur/batterie):
 - pendant la charge 4...40°C
 - pendant le fonctionnement -20...+50°C
 - pour le stockage -20...+50°C

EXPLICATION DES SYMBOLES SUR L'OUTIL/LA BATTERIE

- ③ Veuillez lire le mode d'emploi avant d'utiliser l'outil
- ④ Utilisez des lunettes de protection et des casques anti-bruit
- ⑤ La batterie explosera si elle est jetée au feu - ne la brûlez en aucun cas
- ⑥ Rangez l'outil/le chargeur/la batterie dans des endroits où la température n'excède pas 50°C
- ⑦ Ne jetez pas les outils électriques et les piles dans les ordures ménagères

UTILISATION

- Chargement de la batterie
 - ! lisez les avertissements de sécurité et les instructions fournis avec le chargeur
- Retirer/installer la batterie ②
- Indicateur de niveau de charge de la batterie ⑧
 - appuyez sur le bouton indicateur de niveau de charge de la batterie L pour afficher le niveau de charge actuel de la batterie ⑧a
 - ! si le niveau le plus bas de l'indicateur de la batterie commence à clignoter après avoir appuyé sur le bouton L ⑧b, la batterie est déchargée
 - ! si 2 les niveaux de l'indicateur de la batterie commencent à clignoter après avec appuyé sur le bouton L ⑧c, la batterie n'est pas située dans la plage de températures de fonctionnement autorisée
- Protection de la batterie
 - L'outil est soudainement mis hors tension ou la mise sous tension est empêchée lorsque
 - la charge est trop élevée --> retirez la charge et recommencez
 - la température n'est pas située dans la plage de températures de fonctionnement autorisée de -20 à +50°C --> 2 les niveaux de l'indicateur de niveau de charge de la batterie commencent à clignoter lorsque vous appuyez sur le bouton L ⑧c; attendez que la batterie soit revenue dans la plage de températures de fonctionnement autorisée

- la batterie est presque déchargée (pour empêcher qu'elle ne se décharge complètement) --> un niveau de batterie faible ou un niveau de batterie clignotant ⑧b apparaît sur l'indicateur de charge de la batterie lorsque vous appuyez sur le bouton L; chargez la batterie
- ! ne continuez pas à appuyer sur la commande marche/arrêt après l'arrêt automatique de l'outil; cela pourrait endommager la batterie
- Montage des accessoires ②
 - ! retirez la batterie de l'outil
 - nettoyez l'arbre A ainsi que toutes les pièces à monter
 - serrez la bride de serrage B avec la clé C tout en appuyant sur le bouton de blocage de l'arbre D
 - ! poussez uniquement le bouton de blocage de l'arbre D lorsque l'arbre A est à l'arrêt
 - procédez dans l'ordre inverse pour démonter les accessoires
 - ! à l'usage, les disques de meulage/tronçonnage s'échauffent énormément; ne pas y touchez avant qu'ils ne se soient refroidis
 - ! ne jamais utilisez de disque de meulage/tronçonnage ne portant pas l'étiquette collée dessus (si fournie)
- Montage de la poignée auxiliaire E ⑨
 - ! retirez la batterie de l'outil
 - vissez la poignée auxiliaire E à droite, au-dessus ou à gauche de l'outil (selon le travail à effectuer)
- Démontage/montage/réglage du protège-main F ⑩
 - ! retirez la batterie de l'outil
 - ! s'assurer que la section fermée du protège-main soit toujours dirigée vers l'opérateur
 - si nécessaire, réglez le protège-main F en serrant la vis G dont le réglage a été prédéfini en usine (assurez-vous que le protège-main est fermé)
- Avant toute utilisation
 - assurez-vous que l'accessoire soit correctement monté et fermement serré
 - vérifiez manuellement que l'accessoire tourne aisément
 - testez l'outil à vide au moins 60 secondes à vitesse maximum dans une position de sécurité
 - arrêtez l'outil immédiatement dans le cas de vibrations considérables ou la présence d'autres défauts et vérifiez l'outil pour en déterminer la cause
- Interrupteur on/off de verrouillage J ⑪
 - mettez en marche l'outil ⑪a
 - ! méfiez-vous de l'impact brusque de la puissance à la mise en marche de l'outil
 - ! avant que l'accessoire atteigne la pièce à travailler, l'outil doit tourner à la vitesse maximum
 - verrouillez l'interrupteur ⑪b
 - déverrouillez l'interrupteur/arrêtez l'outil ⑪c
 - ! avant d'arrêter l'outil, vous devriez le soulever de la pièce à travailler
 - ! l'accessoire continue à tourner quelques temps après que l'outil ait été arrêté
- Meulage ⑫
 - déplacez l'outil de côté et d'autre et exercez une pression modérée
 - ! ne jamais utiliser un disque de tronçonnage pour le meulage latéral

- Tronçonnage ⑬
 - ne pas inclinez l'outil pendant le tronçonnage
 - toujours déplacez l'outil dans la même direction marquée par la flèche sur la tête, afin d'éviter que l'outil ne sorte avec violence de l'entaille
 - ne jamais appliquez une trop forte pression sur l'outil; laissez au disque le soin de faire le travail de par sa propre vitesse
 - la vitesse de travail du disque de tronçonnage dépend du matériau à tronçonner
 - ne pas freinez les disques de tronçonnage en appliquant une pression latérale
- Tenue et guidage de l'outil
 - toujours tenez l'outil fermement à deux mains pour bien le maîtriser dans toutes les circonstances et à tout moment
 - ! lorsque vous travaillez, tenez toujours l'outil par la(les) zone(s) de couleur grise ⑭
 - veillez à ce que votre position soit bien stable
 - prêtez attention au sens de rotation de l'outil; toujours tenez l'outil de telle sorte que les étincelles et les éclats de meulage/tronçonnage ne soient pas dirigés vers le corps de l'opérateur
 - veillez à ce que les fentes de ventilation K ② soient découvertes
- Montage/retrait d'une clé C ⑮
 - uniquement d'application si l'outil est exécuté avec une poignée auxiliaire munie d'une boîte de clés intégrée

CONSEILS D'UTILISATION

- Pour plus d'informations, voir www.skil.com

ENTRETIEN / SERVICE APRES-VENTE

- Cet outil n'est pas conçu pour un usage professionnel
- Maintenez toujours l'outil propre (surtout les fentes de ventilation) K ②
- ! retirez la batterie de l'outil avant de procéder au nettoyage
- Si, malgré tous les soins apportés à la fabrication et au contrôle de l'outil, celui-ci devait avoir un défaut, la réparation ne doit être confiée qu'à une station de service après-vente agréée pour outillage SKIL
 - retournez l'outil non démonté avec votre preuve d'achat au revendeur ou au centre de service après-vente SKIL le plus proche (les adresses ainsi que la vue élargie de l'outil figurent sur www.skil.com)
- Veuillez noter que tout dégât causé par une surcharge ou une mauvaise utilisation de l'outil ne sera pas couvert par la garantie (pour connaître les conditions de la garantie SKIL, surfez sur www.skil.com ou adressez-vous à votre revendeur)

ENVIRONNEMENT

- Ne jetez pas les outils électriques, les piles, les accessoires et l'emballage dans les ordures ménagères (pour les pays européens uniquement)
 - conformément à la directive européenne 2012/19/EG relative aux déchets d'équipements électriques ou électroniques, et à sa transposition dans la législation nationale, les outils électriques usés doivent être collectés séparément et faire l'objet d'un recyclage respectueux de l'environnement

- le symbole ⑦ vous le rappellera au moment de la mise au rebut de l'outil
- ! **avant d'envoyer les batteries au recyclage, pour éviter un éventuel court-circuit, il convient de revêtir les bornes d'un épais ruban adhésif isolant**



BRUIT / VIBRATION

- **3920**
Mesurés selon EN 60745, le niveau de pression sonore de cet outil est de 80,5 dB(A), le niveau de puissance acoustique est de 91,5 dB(A) (incertitude K = 3 dB), et la vibration lors du meulage de surface 5,5 m/s² (somme vectorielle triax ; incertitude K = 1,5 m/s²)
! **des autres applications (comme tronçonner) peuvent entraîner des valeurs de vibration différentes**
- **3921**
Mesurés selon EN 60745, le niveau de pression sonore de cet outil est de 80,0 dB(A), le niveau de puissance acoustique est de 91,0 dB(A) (incertitude K = 3 dB), et la vibration lors du meulage de surface 4,3 m/s² (somme vectorielle triax ; incertitude K = 1,5 m/s²)
! **des autres applications (comme tronçonner) peuvent entraîner des valeurs de vibration différentes**
- Le niveau de vibrations émises a été mesuré conformément à l'essai normalisé de la norme EN 60745; il peut être utilisé pour comparer plusieurs outils et pour réaliser une évaluation préliminaire de l'exposition aux vibrations lors de l'utilisation de l'outil pour les applications mentionnées
 - l'utilisation de l'outil dans d'autres applications, ou avec des accessoires différents ou mal entretenus, peut considérablement **augmenter** le niveau d'exposition
 - la mise hors tension de l'outil et sa non-utilisation pendant qu'il est allumé peuvent considérablement **réduire** le niveau d'exposition
 ! **protégez-vous contre les effets des vibrations par un entretien correct de l'outil et de ses accessoires, en gardant vos mains chaudes et en structurant vos schémas de travail**

D

Akku-Winkelschleifer 3920/3921

EINLEITUNG

- Dieses Werkzeug ist für das **leichte** Schleifen, Trennen und Entgraten von Metall- und Steinwerkstoffen ohne Zuhilfenahme von Wasser bestimmt
- Dieses Werkzeug eignet sich nicht für den professionellen Einsatz
- **Nicht zuviel Druck auf das Werkzeug ausüben; die Geschwindigkeit der Trennscheibe besorgt den Rest**

- **Trennschleifen mit Trennscheiben ist nur möglich, wenn eine Schutzhaube (optional als SKIL Zubehör 2610S00253 (3920) / 2610S00275 (3921) erhältlich) verwendet wird**
- Bitte diese Bedienungsanleitung sorgfältig lesen und aufbewahren ③

TECHNISCHE DATEN ①

WERKZEUGKOMPONENTEN ②

- A Spindel
- B Spannfansch
- C Spannschlüssel
- D Spindelarretierungsknopf
- E Zusatzgriff
- F Schutzhaube
- G Schutzhaubemutter
- H Befestigungsflansch
- J Ein-/Aus Arretierungsschalter
- K Lüftungsschlitze
- L Akkuladearzeige
- M Schutzhaubenhebel

SICHERHEIT

ALLGEMEINE SICHERHEITSHINWEISE FÜR ELEKTROWERKZEUGE

⚠️ WARNUNG Lesen Sie alle Sicherheitshinweise, Anweisungen, Abbildungen und technischen Daten dieses Elektrogeräts. Die Nichtbeachtung der nachfolgenden Anweisungen kann zu Stromschlägen, Bränden bzw. ernsthaften Verletzungen führen.

Bewahren Sie alle Sicherheitshinweise und Anweisungen für die Zukunft auf.

Der in den Sicherheitshinweisen verwendete Begriff "Elektrowerkzeug" bezieht sich auf netzbetriebene Elektrowerkzeuge (mit Netzkabel) und auf akkubetriebene Elektrowerkzeuge (ohne Netzkabel).

1) ARBEITSPLATZSICHERHEIT

- a) **Halten Sie Ihren Arbeitsbereich sauber und gut beleuchtet.** Unordnung oder unbeleuchtete Arbeitsbereiche können zu Unfällen führen.
- b) **Arbeiten Sie mit dem Elektrowerkzeug nicht in explosionsgefährdeter Umgebung, in der sich brennbare Flüssigkeiten, Gase oder Stäube befinden.** Elektrowerkzeuge erzeugen Funken, die den Staub oder die Dämpfe entzünden können.
- c) **Halten Sie Kinder und andere Personen während der Benutzung des Elektrowerkzeuges fern.** Bei Ablenkung können Sie die Kontrolle über das Elektrowerkzeug verlieren.

2) ELEKTRISCHE SICHERHEIT

- a) **Der Anschlussstecker des Elektrowerkzeuges muss in die Steckdose passen. Der Stecker darf in keiner Weise verändert werden. Verwenden Sie keine Adapterstecker gemeinsam mit Schutzgeerdeten Elektrowerkzeugen.** Unveränderte Stecker und passende Steckdosen verringern das Risiko eines elektrischen Schlages.

- b) **Vermeiden Sie Körperkontakt mit geerdeten Oberflächen, wie von Rohren, Heizungen, Herden und Kühlschränken.** Es besteht ein erhöhtes Risiko durch elektrischen Schlag, wenn Ihr Körper geerdet ist.
 - c) **Halten Sie das Elektrowerkzeug von Regen oder Nässe fern.** Das Eindringen von Wasser in ein Elektrogerät erhöht das Risiko eines elektrischen Schlages.
 - d) **Zweckentfremden Sie das Kabel nicht, um das Elektrowerkzeug zu tragen, aufzuhängen oder um den Stecker aus der Steckdose zu ziehen. Halten Sie das Kabel fern von Hitze, Öl, scharfen Kanten oder sich bewegenden Elektrowerkzeugteilen.** Beschädigte oder verwickelte Kabel erhöhen das Risiko eines elektrischen Schlages.
 - e) **Wenn Sie mit einem Elektrowerkzeug im Freien arbeiten, verwenden Sie nur Verlängerungskabel, die auch für den Außenbereich zugelassen sind.** Die Anwendung eines für den Außenbereich geeigneten Verlängerungskabels verringert das Risiko eines elektrischen Schlages.
 - f) **Wenn der Betrieb des Elektrowerkzeuges in feuchter Umgebung nicht vermeidbar ist, verwenden Sie einen Fehlerstromschutzschalter.** Der Einsatz eines Fehlerstromschutzschalters vermindert das Risiko eines elektrischen Schlages.
- 3) SICHERHEIT VON PERSONEN**
- a) **Seien Sie aufmerksam, achten Sie darauf, was Sie tun, und gehen Sie mit Vernunft an die Arbeit mit einem Elektrowerkzeug. Benutzen Sie das Elektrowerkzeug nicht, wenn Sie müde sind oder unter dem Einfluss von Drogen, Alkohol oder Medikamenten stehen.** Ein Moment der Unachtsamkeit beim Gebrauch des Elektrowerkzeuges kann zu ernsthaften Verletzungen führen.
 - b) **Tragen Sie persönliche Schutzausrüstung und immer eine Schutzbrille.** Das Tragen persönlicher Schutzausrüstung, wie Staubmaske, rutschfeste Sicherheitsschuhe, Schutzhelm oder Gehörschutz, je nach Art und Einsatz des Elektrowerkzeuges, verringert das Risiko von Verletzungen.
 - c) **Vermeiden Sie eine unbeabsichtigte Inbetriebnahme. Vergewissern Sie sich, dass das Elektrowerkzeug ausgeschaltet ist, bevor Sie es an die Stromversorgung und/oder den Akku anschließen, es aufnehmen oder tragen.** Wenn Sie beim Tragen des Elektrowerkzeuges den Finger am Schalter haben oder das Elektrowerkzeug eingeschaltet an die Stromversorgung anschließen, kann dies zu Unfällen führen.
 - d) **Entfernen Sie Einstellwerkzeuge oder Schraubenschlüssel, bevor Sie das Elektrowerkzeug einschalten.** Ein Werkzeug oder Schlüssel, der sich in einem drehenden Elektrowerkzeugeteil befindet, kann zu Verletzungen führen.
 - e) **Überschätzen Sie sich nicht. Sorgen Sie für einen sicheren Stand und halten Sie jederzeit das Gleichgewicht.** Dadurch können Sie das Elektrowerkzeug in unerwarteten Situationen besser kontrollieren.
 - f) **Tragen Sie geeignete Kleidung. Tragen Sie keine weite Kleidung oder Schmuck. Halten Sie Haare und Kleidung fern von sich bewegenden Teilen.** Lockere

- Kleidung, Schmuck oder lange Haare können von sich bewegenden Teilen erfasst werden.
- g) **Wenn Staubabsaug- und -auffangeinrichtungen montiert werden können, vergewissern Sie sich, dass diese angeschlossen sind und richtig verwendet werden.** Verwendung einer Staubabsaugung verringert Gefährdungen durch Staub.
 - h) **Wiegen Sie sich nicht in falscher Sicherheit und setzen Sie sich nicht über die Sicherheitsregeln für Elektrowerkzeuge hinweg, auch wenn Sie nach vielfachem Gebrauch mit dem Elektrowerkzeug vertraut sind.** Achtloses Handeln kann binnen Sekundenbruchteilen zu schweren Verletzungen führen.
- 4) SORGFÄLTIGER UMGANG UND GEBRAUCH VON ELEKTROWERKZEUGEN**
- a) **Überlasten Sie das Elektrowerkzeug nicht. Verwenden Sie für Ihre Arbeit das dafür bestimmte Elektrowerkzeug.** Mit dem passenden Elektrowerkzeug arbeiten Sie besser und sicherer im angegebenen Leistungsbereich.
 - b) **Benutzen Sie kein Elektrowerkzeug, dessen Schalter defekt ist.** Ein Elektrowerkzeug, das sich nicht mehr ein- oder ausschalten lässt, ist gefährlich und muss repariert werden.
 - c) **Ziehen Sie den Stecker aus der Steckdose und/oder entfernen Sie einen abnehmbaren Akku, bevor Sie Geräteeinstellungen vornehmen, Zubehörteile wechseln oder das Elektrowerkzeug weglegen.** Diese Vorsichtsmaßnahme verhindert den unbeabsichtigten Start des Elektrowerkzeuges.
 - d) **Bewahren Sie unbenutzte Elektrowerkzeuge außerhalb der Reichweite von Kindern auf. Lassen Sie Personen das Elektrowerkzeug nicht benutzen, die mit diesem nicht vertraut sind oder diese Anweisungen nicht gelesen haben.** Elektrowerkzeuge sind gefährlich, wenn Sie von unerfahrenen Personen benutzt werden.
 - e) **Pflegen Sie Elektrowerkzeuge und Zubehör mit Sorgfalt. Kontrollieren Sie, ob bewegliche Elektrowerkzeugteile einwandfrei funktionieren und nicht klemmen, ob Teile gebrochen oder so beschädigt sind, dass die Funktion des Elektrowerkzeuges beeinträchtigt ist. Lassen Sie beschädigte Teile vor dem Einsatz des Elektrowerkzeuges reparieren.** Viele Unfälle haben ihre Ursache in schlecht gewarteten Elektrowerkzeugen.
 - f) **Halten Sie Schneidwerkzeuge scharf und sauber.** Sorgfältig gepflegte Schneidwerkzeuge mit scharfen Schneidkanten verklemmen sich weniger und sind leichter zu führen.
 - g) **Verwenden Sie Elektrowerkzeug, Zubehör, Einsatzwerkzeuge usw. entsprechend diesen Anweisungen. Berücksichtigen Sie dabei die Arbeitsbedingungen und die auszuführende Tätigkeit.** Der Gebrauch von Elektrowerkzeugen für andere als die vorgesehenen Anwendungen kann zu gefährlichen Situationen führen.
 - h) **Halten Sie Griffe und Griffflächen trocken, sauber und frei von Öl und Fett.** Rutschige Griffe und Griffflächen erlauben keine sichere Bedienung und Kontrolle des Elektrowerkzeuges in unvorhergesehenen Situationen.

5) SORGFÄLTIGER UMGANG UND GEBRAUCH VON AKKUGERÄTEN

- a) **Laden Sie die Akkus nur in Ladegeräten auf, die vom Hersteller empfohlen werden.** Für ein Ladegerät, das für eine bestimmte Art von Akkus geeignet ist, besteht Brandgefahr, wenn es mit anderen Akkus verwendet wird.
 - b) **Verwenden Sie nur die dafür vorgesehenen Akkus in den Elektrowerkzeugen.** Der Gebrauch von anderen Akkus kann zu Verletzungen und Brandgefahr führen.
 - c) **Halten Sie den nicht benutzten Akku fern von Büroklammern, Münzen, Schlüsseln, Nägeln, Schrauben oder anderen kleinen Metallgegenständen, die eine Überbrückung der Kontakte verursachen könnten.** Ein Kurzschluss zwischen den Akkukontakten kann Verbrennungen oder Feuer zur Folge haben.
 - d) **Bei falscher Anwendung kann Flüssigkeit aus dem Akku austreten. Vermeiden Sie den Kontakt damit. Bei zufälligem Kontakt mit Wasser abspülen. Wenn die Flüssigkeit in die Augen kommt, nehmen Sie zusätzlich ärztliche Hilfe in Anspruch.** Austretende Akkuflüssigkeit kann zu Hautreizungen oder Verbrennungen führen.
 - e) **Benutzen Sie keinen beschädigten oder veränderten Akku.** Beschädigte oder veränderte Akkus können sich unvorhersehbar verhalten und zu Feuer, Explosion oder Verletzungsgefahr führen.
 - f) **Setzen Sie einen Akku keinem Feuer oder zu hohen Temperaturen aus.** Feuer oder Temperaturen über 130°C können eine Explosion hervorrufen.
 - g) **Befolgen Sie alle Anweisungen zum Laden und laden Sie den Akku oder das Akkuwerkzeug niemals außerhalb des in der Betriebsanleitung angegebenen Temperaturbereichs.** Falsches Laden oder Laden außerhalb des zugelassenen Temperaturbereichs kann den Akku zerstören und die Brandgefahr erhöhen.
- ## 6) SERVICE
- a) **Lassen Sie Ihr Elektrowerkzeug nur von qualifiziertem Fachpersonal und nur mit Original-Ersatzteilen reparieren.** Damit wird sichergestellt, dass die Sicherheit des Elektrowerkzeuges erhalten bleibt.
 - b) **Warten Sie niemals beschädigte Akkus.** Sämtliche Wartung von Akkus sollte nur durch den Hersteller oder bevollmächtigte Kundendienststellen erfolgen.

SICHERHEITSHINWEISE FÜR WINKELSCHLEIFER

1) GEMEINSAME SICHERHEITSHINWEISE ZUM SCHLEIFEN UND TRENNSCHLEIFEN

- a) **Dieses Elektrowerkzeug ist zu verwenden als Schleifer und Trennschleifmaschine. Beachten Sie alle Warnhinweise, Anweisungen, Darstellungen und Daten, die Sie mit dem Werkzeug erhalten.** Wenn Sie die folgenden Anweisungen nicht beachten, kann es zu elektrischem Schlag, Feuer und/oder schweren Verletzungen kommen.
- b) **Dieses Elektrowerkzeug wird nicht zum Schmirgeln, Bürsten oder Polieren empfohlen.** Anwendungen, für die dieses Elektrowerkzeug nicht ausgelegt ist, stellen ein Risiko dar; es besteht Verletzungsgefahr.
- c) **Verwenden Sie kein Zubehör, das vom Hersteller**

nicht speziell für dieses Elektrowerkzeug vorgesehen und empfohlen wurde. Nur weil Sie das Zubehör an Ihrem Elektrowerkzeug befestigen können, garantiert das keine sichere Verwendung.

- d) **Die zulässige Drehzahl des Zubehörs muss mindestens so hoch sein wie die auf dem Elektrowerkzeug angegebene Höchstzahl.** Zubehör, das sich schneller als zulässig dreht, kann zerstört werden.
- e) **Außendurchmesser und Dicke des Zubehörs müssen den Maßangaben Ihres Elektrowerkzeugs entsprechen.** Falsch bemessenes Zubehör kann nicht ausreichend abgeschirmt oder kontrolliert werden.
- f) **Einsatzwerkzeuge mit Gewindeinsatz müssen genau auf das Gewinde der Schleifspindel passen. Bei Einsatzwerkzeugen, die mittels Flansch montiert werden, muss der Lochdurchmesser des Einsatzwerkzeuges zum Aufnahmehdurchmesser des Flansches passen.** Einsatzwerkzeuge, die nicht genau am Elektrowerkzeug befestigt werden, drehen sich ungleichmäßig, vibrieren sehr stark und können zum Verlust der Kontrolle führen.
- g) **Verwenden Sie kein beschädigtes Zubehör. Kontrollieren Sie vor jeder Verwendung Zubehör wie Schleifscheiben auf Absplitterungen und Risse, Schleifteller auf Risse, Verschleiß oder starke Abnutzung, Drahtbürsten auf lose oder gebrochene Drähte.** Wenn das Elektrowerkzeug oder das Zubehör herunterfällt, überprüfen Sie, ob es beschädigt ist, oder verwenden Sie unbeschädigtes Zubehör. Wenn Sie das Zubehör kontrolliert und eingesetzt haben, halten Sie und in der Nähe befindliche Personen sich außerhalb der Ebene des rotierenden Zubehörs und lassen Sie das Werkzeug eine Minute lang mit Höchstzahl laufen. Beschädigtes Zubehör bricht meist in dieser Testzeit.
- h) **Tragen Sie persönliche Schutzausrüstung. Verwenden Sie je nach Anwendung Vollgesichtsschutz, Augenschutz oder Schutzbrille. Soweit angemessen, tragen Sie Staubmaske, Gehörschutz, Schutzhandschuhe oder Spezialschürze, die kleine Schlei- und Materialpartikel von Ihnen fernhält.** Die Augen sollen vor herumfliegenden Fremdkörpern geschützt werden, die bei verschiedenen Anwendungen entstehen. Staub- oder Atemschutzmaske müssen den bei der Anwendung entstehenden Staub filtern. Wenn Sie lange lautem Lärm ausgesetzt sind, können Sie einen Hörverlust erleiden.
- i) **Achten Sie bei anderen Personen auf sicheren Abstand zu Ihrem Arbeitsbereich. Jeder, der den Arbeitsbereich betritt, muss persönliche Schutzausrüstung tragen.** Bruchstücke des Werkstücks oder gebrochenes Zubehör können wegfliegen und Verletzungen auch außerhalb des direkten Arbeitsbereichs verursachen.
- j) **Halten Sie das Elektrowerkzeug an isolierten Greifflächen fest, wenn Sie einen Arbeitsgang durchführen, bei dem das Zubehör mit Unterputzverkabelung in Berührung kommen kann.** Zubehör, das mit einem unter Spannung stehenden Kabel in Berührung kommt, kann freiliegende Metallteile des Elektrowerkzeugs „unter Spannung“ setzen und dem Bediener einen elektrischen Schlag versetzen.

- k) **Halten Sie das Netzkabel von sich drehenden Zubehör fern.** Wenn Sie die Kontrolle über das Werkzeug verlieren, kann das Netzkabel durchtrennt oder erfasst werden und Ihre Hand oder Ihr Arm in das sich drehende Zubehör geraten.
- l) **Legen Sie das Elektrowerkzeug niemals ab, bevor das Zubehör völlig zum Stillstand gekommen ist.** Das sich drehende Zubehör kann in Kontakt mit der Ablagefläche geraten, wodurch Sie die Kontrolle über das Elektrowerkzeug verlieren können.
- m) **Lassen Sie das Elektrowerkzeug nicht laufen, während Sie es tragen.** Ihre Kleidung kann durch zufälligen Kontakt mit dem sich drehenden Zubehör erfasst werden, und das Zubehör sich in Ihren Körper bohren.
- n) **Reinigen Sie regelmäßig die Lüftungsschlitze Ihres Elektrowerkzeugs.** Das Motorgebläse zieht Staub in das Gehäuse, und eine starke Ansammlung von Metallstaub kann elektrische Gefahren verursachen.
- o) **Verwenden Sie das Elektrowerkzeug nicht in der Nähe brennbarer Materialien.** Funken können diese Materialien entzünden.
- p) **Verwenden Sie kein Zubehör, das flüssige Kühlmittel erfordern.** Die Verwendung von Wasser oder anderen flüssigen Kühlmitteln kann zu einem elektrischen Schlag führen.
- 2) RÜCKSCHLAG UND ENTSPRECHENDE WARNHINWEISE**
- Rückschlag ist die plötzliche Reaktion infolge eines hakenden oder blockierten drehenden Zubehörs, wie Schleifscheibe, Schleifteller, Drahtbürste usw. Verhaken oder Blockieren führt zu einem abrupten Stopp des rotierenden Zubehörs. Dadurch wird ein unkontrolliertes Elektrowerkzeug gegen die Drehrichtung des Zubehörs an der Blockierstelle beschleunigt.
 - Wenn z. B. eine Schleifscheibe im Werkstück hakt oder blockiert, kann sich die Kante der Schleifscheibe, die in das Werkstück eintaucht, verfangen und dadurch die Schleifscheibe ausbrechen oder einen Rückschlag verursachen. Die Schleifscheibe bewegt sich dann auf die Bedienperson zu oder von ihr weg, je nach Drehrichtung der Scheibe an der Blockierstelle. Hierbei können Schleifscheiben auch brechen.
 - Ein Rückschlag ist die Folge eines falschen oder fehlerhaften Gebrauchs des Elektrowerkzeugs. Er kann durch geeignete Vorsichtsmaßnahmen, wie nachfolgend beschrieben, verhindert werden.
- a) **Halten Sie das Elektrowerkzeug gut fest und bringen Sie Ihren Körper und Ihre Arme in eine Position, in der Sie die Rückschlagkräfte abfangen können. Verwenden Sie immer den Zusatzgriff, falls vorhanden, um die größtmögliche Kontrolle über Rückschlagkräfte oder Reaktionsmomente beim Hochlauf zu haben.** Die Bedienperson kann durch geeignete Vorsichtsmaßnahmen die Rückschlag- und Reaktionskräfte beherrschen.
- b) **Bringen Sie Ihre Hand nie in die Nähe sich drehendes Zubehör.** Das Zubehör kann sich beim Rückschlag über Ihre Hand bewegen.
- c) **Meiden Sie mit Ihrem Körper den Bereich, in den das Elektrowerkzeug bei einem Rückschlag bewegt wird.** Der Rückschlag treibt das Elektrowerkzeug in die Richtung entgegengesetzt zur Bewegung der Schleifscheibe an der Blockierstelle.
- d) **Arbeiten Sie besonders vorsichtig im Bereich von Ecken, scharfen Kanten usw. Verhindern Sie, dass Zubehör vom Werkstück zurückprallt und verklebmt.** Das rotierende Zubehör neigt bei Ecken, scharfen Kanten oder wenn es abprallt, dazu, sich zu verklebmen. Dies verursacht einen Kontrollverlust oder Rückschlag.
- e) **Verwenden Sie kein Ketten- oder gezähntes Sägeblatt.** Solches Zubehör verursacht häufig einen Rückschlag oder den Verlust der Kontrolle über das Elektrowerkzeug.
- 3) SPEZIELLE WARNHINWEISE ZUM SCHLEIFEN UND TRENNSCHLEIFEN**
- a) **Verwenden Sie ausschließlich die für Ihr Elektrowerkzeug zugelassenen Schleifkörper und die für diese Schleifkörper vorgesehene Schutzhaube.** Schleifkörper, die nicht für das Elektrowerkzeug vorgesehen sind, können nicht ausreichend abgeschirmt werden und sind unsicher.
- b) **Gekrüpfte Schleifscheiben müssen so montiert werden, dass ihre Schleiffläche nicht über der Ebene des Schutzhaubenrandes hervorsteht.** Eine unsachgemäß montierte Schleifscheibe, die über die Ebene des Schutzhaubenrandes hinausragt, kann nicht ausreichend abgeschirmt werden.
- c) **Die Schutzhaube muss sicher am Elektrowerkzeug angebracht und so eingestellt sein, dass ein Höchstmaß an Sicherheit erreicht wird, d. h. der kleinstmögliche Teil des Schleifkörpers zeigt offen zur Bedienperson.** Die Schutzhaube soll die Bedienperson vor Bruchstücken, zufälligem Kontakt mit dem Schleifkörper und Funken, die die Kleidung in Brand setzen könnten, schützen.
- d) **Schleifkörper dürfen nur für die empfohlenen Einsatzmöglichkeiten verwendet werden.** Z. B.: Schleifen Sie nie mit der Seitenfläche einer Trennscheibe. Trennscheiben sind zum Materialabtrag mit der Kante der Scheibe bestimmt. Seitliche Krafteinwirkung auf diese Schleifkörper kann sie zerbrechen.
- e) **Verwenden Sie immer unbeschädigte Spannflansche in der richtigen Größe und Form für die von Ihnen gewählte Schleifscheibe.** Geeignete Flansche stützen die Schleifscheibe und verringern so die Gefahr eines Schleifscheibenbruchs. Flansche für Trennscheiben können sich von den Flanschen für andere Schleifscheiben unterscheiden.
- f) **Verwenden Sie keine abgenutzten Schleifscheiben von größeren Elektrowerkzeugen.** Schleifscheiben für größere Elektrowerkzeuge sind nicht für die höheren Drehzahlen von kleineren Elektrowerkzeugen ausgelegt und können brechen.
- 4) WEITERE BESONDERE WARNHINWEISE ZUM TRENNSCHLEIFEN**
- a) **Vermeiden Sie ein Blockieren der Trennscheibe oder zu hohen Anpressdruck. Führen Sie keine übermäßig tiefen Schnitte aus.** Eine Überlastung der Trennscheibe erhöht deren Beanspruchung und die Anfälligkeit zum Verkanten oder Blockieren und damit die Möglichkeit eines Rückschlags oder Schleifkörperbruchs.
- b) **Meiden Sie den Bereich vor und hinter der rotierenden Trennscheibe.** Wenn Sie die Trennscheibe im Werkstück von sich wegbewegen, kann im Falle eines Rückschlags das Elektrowerkzeug mit der sich

drehenden Scheibe direkt auf Sie zugeschleudert werden.

- c) **Falls die Trennscheibe verklemt oder Sie die Arbeit unterbrechen, schalten Sie das Elektrowerkzeug aus und halten Sie es ruhig, bis die Scheibe zum Stillstand gekommen ist. Versuchen Sie nie, die noch laufende Trennscheibe aus dem Schnitt zu ziehen, sonst kann ein Rückschlag erfolgen.** Ermitteln und beheben Sie die Ursache für das Verklemmen.
- d) **Schalten Sie das Elektrowerkzeug nicht wieder ein, solange es sich im Werkstück befindet. Lassen Sie die Trennscheibe erst ihre volle Drehzahl erreichen, bevor Sie den Schnitt vorsichtig fortsetzen.** Anderenfalls kann die Scheibe verhaken, aus dem Werkstück springen oder einen Rückschlag verursachen.
- e) **Stützen Sie Platten oder große Werkstücke ab, um das Risiko eines Rückschlags durch eine eingeklemmte Trennscheibe zu vermindern.** Große Werkstücke können sich unter ihrem eigenen Gewicht durchbiegen. Das Werkstück muss auf beiden Seiten abgestützt werden, und zwar sowohl in der Nähe des Trennschnitts als auch an der Kante.
- f) **Seien Sie besonders vorsichtig bei "Taschenschnitten" in bestehende Wände oder andere nicht einsehbare Bereiche.** Die eintauchende Trennscheibe kann beim Schneiden in Gas- oder Wasserleitungen, elektrische Leitungen oder andere Objekte einen Rückschlag verursachen.

ZUSÄTZLICHE SICHERHEITSHINWEISE

ALLGEMEINES

- Dieses Werkzeug ist für Naßschuppen/-trennen nicht geeignet
- Nur die mit diesem Werkzeug mitgelieferten Flansche verwenden
- Der Benutzer dieses Werkzeuges sollte älter als 16 Jahre sein
- **Die Batterie aus dem Werkzeug herausnehmen, bevor Einstellungen vorgenommen oder Zubehörteile gewechselt wird**

ZUBEHÖR

- SKIL kann nur dann die einwandfreie Funktion des Werkzeuges zusichern, wenn Original-Zubehör verwendet wird
- Bei Verwendung von Fremdfabrikaten beim Zubehör bitte die Hinweise des Herstellers beachten
- **Nur Schleif-/Trennscheiben mit einer max. Stärke von 6 mm und einem Spindelbohrungsdurchmesser von 22 mm verwenden**
- Verwenden Sie niemals Reduktionsstücke oder Adapter, um Schleif-/Trennscheiben mit einem größeren Loch passend zu machen
- Verwenden Sie niemals Zubehör mit geschlossenem Gewinde unter einer Größe von M14 x 21 mm
- Mit Schleif-/Trennscheiben soll vorsichtig umgegangen werden, zur Vermeidung von Splintern oder Rissen

VOR DER ANWENDUNG

- Vor der erstmaligen Anwendung des Werkzeuges wird die Einholung praktischer Informationen empfohlen
- Stets Seitengriff E ② und Schutzhaube F ② anbringen; das Werkzeug nie ohne sie benutzen
- **Verwenden Sie geeignete Suchgeräte, um verborgene Versorgungsleitungen**

aufzuspüren, oder ziehen Sie die örtliche Versorgungsgesellschaft hinzu (Kontakt mit Elektroleitungen kann zu Feuer und elektrischem Schlag führen; Beschädigung einer Gasleitung kann zur Explosion führen; Eindringen in eine Wasserleitung verursacht Sachbeschädigung oder kann einen elektrischen Schlag verursachen)

- **Bearbeiten Sie kein asbesthaltiges Material** (Asbest gilt als krebserregend)
- Staub von Materialien wie Farbe, die Blei enthält, einigen Holzarten, Mineralien und Metall kann schädlich sein (Kontakt mit oder Einatmen des Staubs kann zu allergischen Reaktionen und/oder Atemwegserkrankheiten beim Bediener oder Umstehenden führen); **tragen Sie eine Staubmaske und arbeiten Sie mit einem Staubabsaugungssystem, wenn ein solches angeschlossen werden kann**
- Bestimmte Arten von Staub sind als karzinogen klassifiziert (beispielsweise Eichen- und Buchenholzstaub), insbesondere in Verbindung mit Zusätzen für die Holzvorbehandlung; **tragen Sie eine Staubmaske und arbeiten Sie mit einem Staubabsaugungssystem, wenn ein solches angeschlossen werden kann**
- Beachten Sie die für Ihr verwendetes Verbrauchsmaterial gültigen nationalen Staubschutzvorgaben
- Beim Nutzenfräsen muß vorsichtig vorgegangen werden, insbesondere in tragenden Wänden (Langlöcher in tragenden Wänden sind Gegenstand landesspezifischer Vorschriften; diese Vorschriften sind unter allen Umständen einzuhalten)
- **Sichern Sie das Werkstück** (ein mit Spannvorrichtungen oder Schraubstock festgehaltenes Werkstück ist sicherer gehalten als mit der Hand)
- Das Werkzeug darf nicht in einen Schraubstock gespannt werden

WÄHREND DER ANWENDUNG

- Bei elektrischer oder mechanischer Fehlfunktion das Werkzeug sofort ausschalten und den Akku entfernen ziehen
- Im Falle einer Unterbrechung des Akkuschutzes oder wenn der Akku entfernt wird, startet das Gerät nicht von selbst neu; zum Wiedereinschalten des Geräts ist der Ein-/Ausschalter zu betätigen und das Gerät wieder einzuschalten ①

NACH DER ANWENDUNG

- Zubehör darf nach dem Ausschalten des Antriebes nicht durch seitliches Gegendrücken gebremst werden

BATTERIEN

- **Der mitgelieferte Akku ist teilweise geladen** (um die volle Kapazität des Akkus nutzen zu können, laden Sie den Akku im Ladegerät vollständig auf, bevor Sie das Elektrowerkzeug zum ersten Mal verwenden)
- **Nur die mit diesem Werkzeug mitgelieferten Batterien und Ladegeräte verwenden**
 - SKIL-Batterie: BR1*31****
 - SKIL-Ladegerät: CR1*31****
- Beschädigte Batterien nicht weiter verwenden, sondern ersetzen
- Die Batterie nicht auseinandernehmen
- Das Werkzeug/die Batterie niemals Regen aussetzen
- Erlaubte Umgebungstemperatur (Werkzeug/Ladegerät/Batterie):
 - beim Laden 4...40°C
 - beim Betrieb -20...+50°C
 - bei Lagerung -20...+50°C

ERKLÄRUNG DER SYMBOLE AUF DEM WERKZEUG/ AKKU

- ③ Die Bedienungsanleitung vor dem Gebrauch lesen
- ④ Schutzbrille und Gehörschutz tragen
- ⑤ Batterien werden bei Kontakt mit Feuer explodieren, die Batterien daher niemals verbrennen
- ⑥ Bewahren Sie das Werkzeug/Ladegerät/Batterie stets bei Raumtemperaturen unter 50°C auf
- ⑦ Elektrowerkzeuge und Batterien nicht in den Hausmüll werfen

BEDIENUNG

- Aufladen des Akkus
 - ! **Lesen Sie die mit dem Ladegerät gelieferten Sicherheitshinweise**
- Entfernen/Einlegen von Batterien ②
- Akkuladeanzeige ⑧
 - Drücken Sie die auf die Akkustandsanzeige L, um den aktuellen Akkustand anzuzeigen ⑧a
 - ! **Wenn der niedrigste Wert der Akkustandsanzeige nach dem Drücken der Taste L ⑧b blinkt, ist der Akku leer**
 - ! **Wenn die Werte 2 der Akkustandsanzeige nach dem Drücken der Taste L ⑧c blinken, befindet sich der Akku nicht im zulässigen Betriebstemperaturbereich**
- Batterieschutz

Das Gerät wird plötzlich ausgeschaltet oder kann nicht mehr eingeschaltet werden, wenn

 - **die Last zu hoch ist** --> Last entfernen und neu starten
 - **die Akkutemperatur nicht im zulässigen Betriebstemperaturbereich von -20 bis +50° C liegt** --> 2 Werte der Akkustandsanzeige blinken nach dem Drücken der Taste L ⑧c; warten, bis sich der Akku wieder innerhalb des zulässigen Betriebstemperaturbereichs befindet
 - **der Akku fast leer ist (zum Schutz vor Tiefentladung)** --> ein niedriger Akkustand oder ein blinkender Akkustand ⑧b wird von der Akkustandsanzeige angezeigt, wenn die Taste L gedrückt wird; Akku laden
 - ! **nach einer automatischen Ausschaltung des Werkzeugs nicht weiterhin auf den Ein-/Ausschalter drücken; der Akku kann beschädigt werden**
- Montieren des Zubehörs ②
 - ! **die Batterie aus dem Werkzeug herausnehmen**
 - Spindel A und alle zu montierenden Teile reinigen
 - Spannmutter B mit Zweilochschlüssel C anziehen, während Sie Spindelarretierungsknopf D drücken
 - ! **Spindelarretierungsknopf D nur dann drücken, wenn Spindel A stillsteht**
 - zum Entfernen des Zubehörs in umgekehrter Reihenfolge vorgehen
 - ! **Schleif-/Trennscheiben laufen bei Gebrauch sehr heiß; sie nicht berühren, bevor sie abgekühlt sind**
 - ! **eine Schleif-/Trennscheibe niemals ohne das Schild, das angeklebt ist, benutzen (falls vorhanden)**
- Montieren des Seitengriffs E ⑨
 - ! **die Batterie aus dem Werkzeug herausnehmen**
 - Zusatzgriff E kann rechts, oben oder links

- am Werkzeug angeschraubt werden (je nach auszuführender Arbeit)
- Entfernen/Montieren/Einstellen der Schutzhaube F ⑩
 - ! **die Batterie aus dem Werkzeug herausnehmen**
 - ! **sicherstellen, daß die geschlossene Seite der Schutzhaube stets zum Bediener zeigt**
 - bei Bedarf Schutzhaube F einstellen durch Anziehen von Schraube G welche ab Werk voreingestellt ist (**sicherstellen, dass die Schutzhaube geschlossen ist**)
- Vor dem Gebrauch Ihres Werkzeuges
 - sicherstellen, daß das Zubehör richtig montiert und fest angezogen ist
 - den freien Lauf des montierten Zubehörs durch Drehen von Hand überprüfen
 - einen Probelauf vornehmen, bei dem Sie das Werkzeug in einer sicheren Position mindestens 60 Sekunden mit höchster Geschwindigkeit unbelastet laufen lassen
 - bei beträchtlichen Vibrationen oder anderen Defekten das Werkzeug sofort ausschalten und die mögliche Ursache herausfinden
- Ein-/Aus Arretierungsschalter J ⑪
 - das Werkzeug einschalten ⑪a
 - ! **beachten Sie den plötzlichen Ruck beim Einschalten des Werkzeuges**
 - ! **bevor das Zubehör in das Werkstück eingeführt wird, muß erst Höchstgeschwindigkeit erreicht werden**
 - Schalter arretieren ⑪b
 - Arretierung lösen/Werkzeug ausschalten ⑪c
 - ! **vor dem Ausschalten des Werkzeuges sollte dieses vom Werkstück abgenommen werden**
 - ! **nach dem Ausschalten des Werkzeuges dreht sich das Zubehör noch einige Sekunden weiter**
- Trennen ⑫
 - das Werkzeug mit mäßigem Druck vor und zurück bewegen
 - ! **eine Trennscheibe darf nicht zum Seiten-Schleifen benutzt werden**
- Trennen ⑬
 - das Werkzeug nicht anwinkeln bei Trennarbeiten
 - das Werkzeug stets in dieselbe Richtung wie den Pfeil am Werkzeugkopf führen, um zu verhindern, daß das Werkzeug auf unkontrollierte Weise aus dem Eingriffsbereich herausgedrückt wird
 - nicht zuviel Druck auf das Werkzeug ausüben; die Geschwindigkeit der Trennscheibe besorgt den Rest
 - die Arbeitsdrehzahl der Trennscheibe hängt vom zu schneidenden Werkstoff ab
 - Trennscheiben nicht durch seitliches Gegendrücken bremsen
- Halten und Führen des Werkzeuges
 - halten Sie das Werkzeug mit beiden Händen fest, um es stets unter Kontrolle zu haben
 - ! **Werkzeug beim Arbeiten immer am grauen Griffbereich fassen ⑭**
 - auf sicheren Stand achten
 - auf die Drehrichtung achten; das Werkzeug stets so halten, daß Funken und Schleif-/Trennstaub vom Körper weg fliegen
 - Lüftungsschlitze K ② unbedeckt halten

- Montageschlüssel C ⁽⁵⁾
- nur anwendbar bei Ausführung mit Zusatzhandgriff mit integrierter Schlüssellagerung

ANWENDUNGSHINWEISE

- Für weitere Informationen verweisen wir auf www.skil.com

WARTUNG / SERVICE

- Dieses Werkzeug eignet sich nicht für den professionellen Einsatz
- Halten Sie das Werkzeug immer sauber (insbesondere die Lüftungsschlitze K ⁽²⁾)
! Vor der Montage die Batterie aus dem Werkzeug entfernen
- Sollte das Elektrowerkzeug trotz sorgfältiger Herstellungs- und Prüfverfahren einmal ausfallen, ist die Reparatur von einer autorisierten Kundendienststelle für SKIL-Elektrowerkzeuge ausführen zu lassen
- das Werkzeug **unzerlegt**, zusammen mit dem Kaufbeleg, an den Lieferer oder die nächste SKIL-Vertragswerkstätte senden (die Adressen so wie die Ersatzteilzeichnung des Werkzeuges finden Sie unter www.skil.com)
- Beachten Sie, dass ein falscher oder unsachgemäßer Gebrauch des Werkzeugs zum Erlöschen der Garantie führt (die SKIL-Garantiebedingungen finden Sie unter www.skil.com oder fragen Sie Ihren Händler)

UMWELT

- **Elektrowerkzeuge, Batterien, Zubehör und Verpackungen nicht in den Hausmüll werfen** (nur für EU-Länder)
- gemäss Europäischer Richtlinie 2012/19/EG über Elektro- und Elektronik- Altgeräte und Umsetzung in nationales Recht müssen nicht mehr gebrauchsfähige Elektrowerkzeuge getrennt gesammelt und einer umweltgerechten Wiederverwertung zugeführt werden
- hieran soll Sie Symbol ⁽⁷⁾ erinnern
! bevor Sie die Batterie entsorgen, schützen Sie die Batterieenden mit einem schweren Band, um so Kriechströme zu vermeiden

GERÄUSCH / VIBRATION

- **3920**
Gemessen nach EN 60745 beträgt der Schalldruckpegel dieses Werkzeugs 80,5 dB(A) und der Schalleistungspegel 91,5 dB(A) (Unsicherheit K = 3 dB), und die Schwingung beim Planschleifen 5,5m/s² (Triaxvektorsumme; Unsicherheit K = 1,5 m/s²)
! andere Anwendungen (z.B. Trennen) können andere Vibrationswerte aufweisen
- **3921**
Gemessen nach EN 60745 beträgt der Schalldruckpegel dieses Werkzeugs 80,0 dB(A) und der Schalleistungspegel 91,0 dB(A) (Unsicherheit K = 3 dB), und die Schwingung beim Planschleifen 4,3m/s² (Triaxvektorsumme; Unsicherheit K = 1,5 m/s²)
! andere Anwendungen (z.B. Trennen) können andere Vibrationswerte aufweisen
- Die Vibrationsemissionsstufe wurde mit einem standardisierten Test gemäß EN 60745 gemessen; Sie kann verwendet werden, um ein Werkzeug mit einem

anderen zu vergleichen und als vorläufige Beurteilung der Vibrationsexposition bei Verwendung des Werkzeugs für die angegebenen Anwendungszwecke
- die Verwendung des Werkzeugs für andere Anwendungen oder mit anderem oder schlecht gewartetem Zubehör kann die Expositionsstufe erheblich **erhöhen**
- Zeiten, zu denen das Werkzeug ausgeschaltet ist, oder wenn es läuft aber eigentlich nicht eingesetzt wird, können die Expositionsstufe erheblich **verringern**
! schützen Sie sich vor den Auswirkungen der Vibration durch Wartung des Werkzeugs und des Zubehörs, halten Sie Ihre Hände warm und organisieren Sie Ihren Arbeitsablauf

NL

Oplaadbare haakse slijper 3920/3921

INTRODUCTIE

- Deze machine is bestemd voor het **licht** (door)slijpen en afbramen van metaal en steen zonder gebruik van water
- Deze machine is niet bedoeld voor professioneel gebruik
- **Forceer de machine niet; laat de snelheid van de doorslijpschijf het werk doen**
- **Doorslijpwerkzaamheden met doorslijpschijven is uitsluitend toegestaan wanneer er een doorslijpbeschermpak (optioneel verkrijgbaar als SKIL-accessoire 2610S00253 (3920) / 2610S00275 (3921)) wordt gebruikt**
- Lees en bewaar deze gebruiksaanwijzing ⁽³⁾

TECHNISCHE GEGEVENS ⁽¹⁾

MACHINE-ELEMENTEN ⁽²⁾

- A As
- B Spanmoer
- C Sleutel
- D Asvergrendelknop
- E Extra handgreep
- F Beschermpak
- G Beschermpakschroef
- H Opname-flens
- J Aan/uit vergrendelschakelaar
- K Ventilatie-openingen
- L Batterijniveau-indicator
- M Beschermpakhendel

VEILIGHEID

ALGEMENE VEILIGHEIDSWAARSCHUWINGEN VOOR ELEKTRISCHE GEREEDSCHAPPEN

⚠ WAARSCHUWING Lees alle veiligheidswaarschuwingen, instructies, afbeeldingen en specificaties die met dit elektrische gereedschap zijn meegeleverd. Het niet volgen van alle hieronder genoemde instructies kan elektrische schokken, brand en/of ernstig letsel tot gevolg hebben.

Bewaar alle waarschuwingen en voorschriften voor toekomstig gebruik.

Het in de waarschuwingen gebruikte begrip “elektrisch gereedschap” heeft betrekking op elektrische gereedschappen voor gebruik op het stroomnet (met netsnoer) en op elektrische gereedschappen voor gebruik met een accu (zonder netsnoer).

1) VEILIGHEID VAN DE WERKOMGEVING

- a) **Houd uw werkomgeving schoon en opgeruimd.** Een rommelige of onverlichte werkomgeving kan tot ongevallen leiden.
- b) **Werk met het gereedschap niet in een omgeving met explosiegevaar waarin zich brandbare vloeistoffen, gassen of stof bevinden.** Elektrische gereedschappen veroorzaken vonken die het stof of de dampen tot ontsteking kunnen brengen.
- c) **Houd kinderen en andere personen tijdens het gebruik van het elektrische gereedschap uit de buurt.** Wanneer u wordt afgeleid, kunt u de controle over het gereedschap verliezen.

2) ELEKTRISCHE VEILIGHEID

- a) **De aansluitstekker van het gereedschap moet in het stopcontact passen. De stekker mag in geen geval worden veranderd. Gebruik geen adapterstekkers in combinatie met geaarde gereedschappen.** Onveranderde stekkers en passende stopcontacten beperken het risico van een elektrische schok.
- b) **Voorkom aanraking van het lichaam met geaarde oppervlakken, bijvoorbeeld van buizen, verwarmingen, fornuizen en koelkasten.** Er bestaat een verhoogd risico door een elektrische schok wanneer uw lichaam geaard is.
- c) **Houd het gereedschap uit de buurt van regen en vocht.** Het binnendringen van water in het elektrische gereedschap vergroot het risico van een elektrische schok.
- d) **Gebruik de kabel niet voor een verkeerd doel, om het gereedschap te dragen of op te hangen of om de stekker uit het stopcontact te trekken. Houd de kabel uit de buurt van hitte, olie, scherpe randen en bewegende gereedschapsdelen.** Beschadigde of in de war geraakte kabels vergroten het risico van een elektrische schok.
- e) **Wanneer u buitenshuis met elektrisch gereedschap werkt, dient u alleen verlengkabels te gebruiken die voor gebruik buitenshuis zijn goedgekeurd.** Het gebruik van een voor gebruik buitenshuis geschikte verlengkabel beperkt het risico van een elektrische schok.
- f) **Als het gebruik van het elektrische gereedschap in een vochtige omgeving onvermijdelijk is, dient u een aardlekschakelaar te gebruiken.** Het gebruik van een aardlekschakelaar vermindert het risico van een elektrische schok.

3) PERSOONLIJKE VEILIGHEID

- a) **Wees alert, let goed op wat u doet en ga met verstand te werk bij het gebruik van het elektrische gereedschap. Gebruik het gereedschap niet wanneer u moe bent of onder invloed staat van drugs, alcohol of medicijnen.** Een moment van onoplettendheid bij het gebruik van het gereedschap kan tot ernstige verwondingen leiden.
- b) **Draag persoonlijke beschermende uitrusting en altijd een veiligheidsbril.** Het dragen van persoonlijke

beschermende uitrusting zoals een stofmasker, slipvaste werkschoenen, een veiligheidshelm of gehoorbescherming, afhankelijk van de aard en het gebruik van het elektrische gereedschap, vermindert het risico van verwondingen.

- c) **Voorzoek per ongeluk inschakelen. Controleer dat het elektrische gereedschap uitgeschakeld is voordat u de stekker in het stopcontact steekt of de accu aansluit en voordat u het gereedschap oppakt of draagt.** Wanneer u bij het dragen van het elektrische gereedschap uw vinger aan de schakelaar hebt of wanneer u het gereedschap ingeschakeld op de stroomvoorziening aansluit, kan dit tot ongevallen leiden.
 - d) **Verwijder instelgereedschappen of schroefslutels voordat u het gereedschap inschakelt.** Een instelgereedschap of sleutel in een draaiend deel van het gereedschap kan tot verwondingen leiden.
 - e) **Probeer niet ver te reiken. Zorg ervoor dat u stevig staat en steeds in evenwicht blijft.** Daardoor kunt u het gereedschap in onverwachte situaties beter onder controle houden.
 - f) **Draag geschikte kleding. Draag geen loshangende kleding of sieraden. Houd haren en kleding uit de buurt van bewegende delen.** Loshangende kleding, sieraden en lange haren kunnen door bewegende delen worden meegenomen.
 - g) **Wanneer stofafzuigings- of stofopvangvoorzieningen kunnen worden gemonteerd, dient u zich ervan te verzekeren dat deze zijn aangesloten en juist worden gebruikt.** Het gebruik van een stofafzuiging beperkt het gevaar door stof.
 - h) **Ondanks het feit dat u eventueel heel goed vertrouwd bent met het gebruik van gereedschappen, moet u ervoor zorgen dat u niet nonchalant wordt en veiligheidsvoorschriften voor het gereedschap gaat negeren.** Een onoplettende handeling kan binnen een fractie van een seconde ernstig letsel veroorzaken.
- ### 4) GEBRUIK EN ONDERHOUD VAN ELEKTRISCHE GEREEDSCHAPPEN
- a) **Overbelast het gereedschap niet. Gebruik voor uw werkzaamheden het daarvoor bestemde elektrische gereedschap.** Met het passende elektrische gereedschap werkt u beter en veiliger binnen het aangegeven capaciteitsbereik.
 - b) **Gebruik geen elektrisch gereedschap waarvan de schakelaar defect is.** Elektrisch gereedschap dat niet meer kan worden in- of uitgeschakeld, is gevaarlijk en moet worden gerepareerd.
 - c) **Trek de stekker uit het stopcontact en/of neem de accu (indien uitneembaar) uit het elektrische gereedschap voordat u het elektrische gereedschap instelt, accessoires wisselt of het elektrische gereedschap opbergt.** Deze voorzorgsmaatregel voorkomt onbedoeld starten van het elektrische gereedschap.
 - d) **Bewaar niet-gebruikte elektrische gereedschappen buiten bereik van kinderen. Laat het gereedschap niet gebruiken door personen die er niet mee vertrouwd zijn en deze aanwijzingen niet hebben gelezen.** Elektrische gereedschappen zijn gevaarlijk wanneer deze door onervaren personen worden gebruikt.
 - e) **Verzorg het gereedschap zorgvuldig. Controleer**

of bewegende delen van het gereedschap correct functioneren en niet vastklemmen en of onderdelen zodanig gebroken of beschadigd zijn dat de werking van het gereedschap nadelig wordt beïnvloed. Laat beschadigde delen repareren voordat u het gereedschap gebruikt. Veel ongevallen hebben hun oorzaak in slecht onderhouden elektrische gereedschappen.

- f) **Houd snijdende inzetgereedschappen scherp en schoon.** Zorgvuldig onderhouden snijdende inzetgereedschappen met scherpe snijkanten klemmen minder snel vast en zijn gemakkelijker te geleiden.
 - g) **Gebruik elektrische gereedschappen, toebehoren, inzetgereedschappen en dergelijke volgens deze aanwijzingen. Let daarbij op de arbeidsomstandigheden en de uit te voeren werkzaamheden.** Het gebruik van elektrische gereedschappen voor andere dan de voorziene toepassingen kan tot gevaarlijke situaties leiden.
 - h) **Houd handgrepen en greepvlakken droog, schoon en vrij van olie en vet.** Gladde handgrepen en greepvlakken verhinderen dat het gereedschap in onverwachte situaties veilig kan worden gehanteerd en bediend.
- 5) GEBRUIK EN ONDERHOUD VAN ACCUGEREEDSCHAPPEN**
- a) **Laad accu's alleen op in opladers die door de fabrikant worden geadviseerd.** Voor een oplader die voor een bepaald type accu geschikt is, bestaat brandgevaar wanneer deze met andere accu's wordt gebruikt.
 - b) **Gebruik alleen de daarvoor bedoelde accu's in de elektrische gereedschappen.** Het gebruik van andere accu's kan tot verwondingen en brandgevaar leiden.
 - c) **Voorkom aanraking van de niet-gebruikte accu met paperclips, munten, sleutels, spijkers, schroeven en andere kleine metalen voorwerpen die overbrugging van de contacten kunnen veroorzaken.** Kortsluiting tussen de accucontacten kan brandwonden of brand tot gevolg hebben.
 - d) **Bij verkeerd gebruik kan vloeistof uit de accu lekken. Voorkom contact. Spoel bij onvoorzien contact met water af. Wanneer de vloeistof in de ogen komt, dient u bovendien een arts te raadplegen.** Gelekte accuvloeistof kan tot huidirritaties en verbrandingen leiden.
 - e) **Gebruik accu of gereedschap niet, als deze beschadigd of veranderd zijn.** Beschadigde of veranderde accu's kunnen onvoorspelbaar gedrag vertonen, waardoor een brand, explosie of het gevaar van letsel kan ontstaan.
 - f) **Stel accu of gereedschap niet bloot aan vuur of overmatige temperaturen.** Blootstelling aan vuur of temperaturen boven 130°C kan een explosie veroorzaken.
 - g) **Volg alle aanwijzingen voor het laden en laad de accu of het gereedschap niet buiten het temperatuurbereik dat in de aanwijzingen is vermeld.** Verkeerd laden of laden bij temperaturen buiten het vastgelegde bereik kan de accu beschadigen en het risico van brand vergroten.
- 6) SERVICE**
- a) **Laat het gereedschap alleen repareren door gekwalificeerd en vakkundig personeel en**

alleen met originele vervangingsonderdelen.

Daarmee wordt gewaarborgd dat de veiligheid van het gereedschap in stand blijft.

- b) **Voer nooit servicewerkzaamheden aan beschadigde accu's uit.** Service van accu's dient uitsluitend te worden uitgevoerd door de fabrikant of erkende servicewerkplaatsen.

VEILIGHEIDSVORSCHRIFTEN VOOR HAAKSE SLIJPERS

1) ALGEMENE WAARSCHUWINGEN VOOR SLIJPEN EN DOORSLIJPEN

- a) **Dit elektrische gereedschap is bestemd voor gebruik als slijpmachine en doorslijpmachine. Neem alle waarschuwingen, aanwijzingen, afbeeldingen en gegevens die u bij het elektrische gereedschap ontvangt in acht.** Als u de volgende aanwijzingen niet in acht neemt, kunnen een elektrische schok, brand en/of ernstig letsel het gevolg zijn.
- b) **Dit elektrische gereedschap moet niet worden gebruikt voor schuren, draadborstelen of polijsten.** Gebruik van het elektrische gereedschap voor toepassingen waarvoor het niet is ontworpen, kan gevaarlijk zijn en tot letsel leiden.
- c) **Gebruik uitsluitend toebehoren dat door de fabrikant speciaal voor dit elektrische gereedschap is voorzien en geadviseerd.** Het feit dat u het toebehoren aan het elektrische gereedschap kunt bevestigen, waarborgt nog geen veilig gebruik.
- d) **Het toegestane toerental van het accessoire moet minstens zo hoog zijn als het maximale toerental dat op het elektrische gereedschap is aangegeven.** Toebehoren dat sneller draait dan is toegestaan, kan van het gereedschap af vliegen.
- e) **De buitendiameter en de dikte van het inzetgereedschap moeten overeenkomen met de maatgegevens van het elektrische gereedschap.** Inzetgereedschappen met onjuiste afmetingen kunnen niet voldoende afgeschermd of gecontroleerd worden.
- f) **Inzetgereedschappen met schroefdraadinzetstuk moeten nauwkeurig op de schroefdraad van de uitgaande as passen. De gatdiameter van met een flens gemonteerde inzetgereedschappen moet passen bij de opnamediameter van de flens.** Inzetgereedschappen die niet nauwkeurig op het elektrische gereedschap bevestigd worden, draaien ongelijkmatig, trillen sterk en kunnen tot verlies van de controle leiden.
- g) **Gebruik geen beschadigde inzetgereedschappen. Controleer voor het gebruik altijd inzetgereedschappen zoals slijpschijven op afsplinteringen en scheuren, steunschijven op scheuren of sterke slijtage en draadborstels op losse of gebroken draden. Als het elektrische gereedschap of het inzetgereedschap valt, dient u te controleren of het beschadigd is, of gebruik een onbeschadigd inzetgereedschap. Als u het inzetgereedschap hebt gecontroleerd en ingezet, laat u het elektrische gereedschap een minuut lang met het maximale toerental lopen. Daarbij dient u en dienen andere personen uit de buurt van het ronddraaiende inzetgereedschap te blijven.**

Beschadigde inzetgereedschappen breken meestal gedurende deze testtijd.

- h) **Draag persoonlijke beschermende uitrusting. Gebruik afhankelijk van de toepassing een volledige gezichtsbescherming, oogbescherming of veiligheidsbril. Draag voor zover van toepassing een stofmasker, een gehoorbescherming, werkhandschoenen of een speciaal schoot dat kleine slijp- en metaaldeeltjes tegenhoudt.** Uw ogen moeten worden beschermd tegen wegvliegende deeltjes die bij verschillende toepassingen ontstaan. Een stof- of adembeschermingsmasker moet het bij de toepassing ontstane stof filteren. Als u lang wordt blootgesteld aan luid lawaai, kan uw gehoor worden beschadigd.
- i) **Let erop dat andere personen zich op een veilige afstand bevinden van de plaats waar u werkt. Iedereen die de werkomgeving betreedt, moet persoonlijke beschermende uitrusting dragen.** Brokstukken van het werkstuk of gebroken inzetgereedschappen kunnen wegvliegen en verwondingen veroorzaken, ook buiten de directe werkomgeving.
- j) **Houd het elektrische gereedschap uitsluitend vast aan de geïsoleerde greepvlakken als u werkzaamheden uitvoert waarbij het accessoire verborgen stroomleidingen kan raken.** Contact met een onder spanning staande leiding kan ook metalen delen van het elektrische gereedschap onder spanning zetten en tot een elektrische schok leiden.
- k) **Houd de stroomkabel uit de buurt van draaiende inzetgereedschappen.** Als u de controle over het elektrische gereedschap verliest, kan de stroomkabel worden doorgesneden of meegenomen en uw hand of arm kan in het ronddraaiende inzetgereedschap terechtkomen.
- l) **Leg het elektrische gereedschap nooit neer voordat het inzetgereedschap volledig tot stilstand is gekomen.** Het draaiende inzetgereedschap kan in contact komen met het oppervlak, waardoor u de controle over het elektrische gereedschap kunt verliezen.
- m) **Laat het elektrische gereedschap niet lopen terwijl u het draagt.** Uw kleding kan door toevallig contact met het draaiende inzetgereedschap worden meegenomen en het inzetgereedschap kan zich in uw lichaam boren.
- n) **Reinig regelmatig de ventilatieopeningen van het elektrische gereedschap.** De motorventilator trekt stof in de behuizing en een sterke ophoping van metaalstof kan elektrische gevaren veroorzaken.
- o) **Gebruik het elektrische gereedschap niet in de buurt van brandbare materialen.** Vonken kunnen deze materialen ontsteken.
- p) **Gebruik geen inzetgereedschappen waarvoor vloeibare koelmiddelen vereist zijn.** Het gebruik van water of andere vloeibare koelmiddelen kan tot een elektrische schok leiden.
- 2) TERUGSLAG EN BIJBEHORENDE WAARSCHUWINGEN**
- Terugslag is de plotselinge reactie als gevolg van een vasthakend of geblokkeerd draaiend inzetgereedschap, zoals een slijpschijf, steunschijf, draadborstel, enz. Vasthaken of blokkeren leidt tot abrupte stilstand van het ronddraaiende inzetgereedschap. Daardoor wordt een ongecontroleerd elektrisch gereedschap tegen de

draairichting van het inzetgereedschap versneld op de plaats van de blokkering.

- Als bijvoorbeeld een slijpschijf in het werkstuk vasthaakt of blokkeert, kan de rand van de slijpschijf die in het werkstuk invalt, zich vastgrijpen. Daardoor kan de slijpschijf uitbreken of een terugslag veroorzaken. De slijpschijf beweegt zich vervolgens naar de bediener toe of van de bediener weg, afhankelijk van de draairichting van de schijf op de plaats van de blokkering. Hierbij kunnen slijpschijven ook breken.
 - Een terugslag is het gevolg van het verkeerd gebruik of onjuiste gebruiksomstandigheden van het elektrische gereedschap. Terugslag kan worden voorkomen door geschikte voorzorgsmaatregelen, zoals hieronder beschreven.
- a) **Houd het elektrische gereedschap goed vast en breng uw lichaam en uw armen in een positie waarin u de terugslagkrachten kunt opvangen. Gebruik altijd de extra handgreep, indien aanwezig, om de grootst mogelijke controle te hebben over terugslagkrachten of reactiemomenten bij het op toeren komen.** De bediener kan door geschikte voorzorgsmaatregelen de terugslag- en reactiekrachten beheersen.
- b) **Breng uw hand nooit in de buurt van draaiende inzetgereedschappen.** Het inzetgereedschap kan bij de terugslag over uw hand bewegen.
- c) **Mijd met uw lichaam het gebied waarheen het elektrische gereedschap bij een terugslag wordt bewogen.** De terugslag drijft het elektrische gereedschap in de richting die tegengesteld is aan de beweging van de slijpschijf op de plaats van de blokkering.
- d) **Werk bijzonder voorzichtig in de buurt van hoeken, scherpe randen, enz. Voorkom dat inzetgereedschappen van het werkstuk terugspringen en vastklemmen.** Het ronddraaiende inzetgereedschap neigt er bij hoeken, scherpe randen of wanneer het terugspringt toe om zich vast te klemmen. Dit veroorzaakt een controleverlies of terugslag.
- e) **Gebruik geen kettingblad of getand zaagblad.** Zulke inzetgereedschappen veroorzaken vaak een terugslag of het verlies van de controle over het elektrische gereedschap.
- 3) VEILIGHEIDSWAARSCHUWINGEN SPECIFIEK VOOR SLIJP- EN DOORSLIJPWERKZAAMHEDEN**
- a) **Gebruik uitsluitend het voor het elektrische gereedschap toegestane slijptoebehoeren en de voor dit slijptoebehoeren voorziene beschermkap.** Slijptoebehoeren dat niet voor het elektrische gereedschap is voorzien, kan niet voldoende worden afgeschermd en is niet veilig.
- b) **Slijpschijven met een cup moeten zodanig gemonteerd worden dat hun slijppoppervlak niet boven de rand van de beschermkap uit steekt.** Een onjuist gemonteerde slijpschijf die over de rand van de slijpschijf uitsteekt, kan onvoldoende afgeschermd worden.
- c) **De beschermkap moet stevig op het elektrisch gereedschap gemonteerd worden en zodanig gepositioneerd zijn, dat maximale veiligheid bereikt wordt. Dat wil zeggen, dat zo weinig mogelijk slijpschijf richting de bediener wijst. De**

beschermkap moet de bediener beschermen tegen afgebroken slijpschijfstukjes, toevallig contact met het slijptoebehooren en vonken, die de kleding in brand zouden kunnen zetten.

- d) **Slijptoebehooren mag alleen worden gebruikt voor de geadviseerde toepassingsmogelijkheden.** Bijvoorbeeld: slijp nooit met het zijvlak van een doorslijpschijf. Doorslijpschijven zijn bestemd voor materiaalafname met de rand van de schijf. Een zijwaartse krachthinwerking op dit slijptoebehooren kan het toebehooren breken.
- e) **Gebruik altijd onbeschadigde spanflenzen in de juiste maat en vorm voor de door u gekozen slijpschijf.** Geschikteflenzen steunen de slijpschijf en verminderen zo het gevaar van een slijpschijfbreuk. Flenzen voor doorslijpschijven kunnen verschillen van deflenzen voor andere slijpschijven.
- f) **Gebruik geen versleten slijpschijven van grotere elektrische gereedschappen.** Slijpschijven voor grotere elektrische gereedschappen zijn niet geconstrueerd voor de hogere toerentalen van kleinere elektrische gereedschappen en kunnen breken.
- 4) **EXTRA VEILIGHEIDSWAARSCHUWINGEN SPECIFIEK VOOR DOORSLIJPWERKZAAMHEDEN**
- a) **Voorkom blokkeren van de doorslijpschijf en te hoge aandrukkracht. Slijp niet overmatig diep.** Een overbelasting van de doorslijpschijf vergroot de slijtage en de gevoeligheid voor kantelen of blokkeren en daardoor de mogelijkheid van een terugslag of breuk van het slijptoebehooren.
- b) **Mijd de omgeving voor en achter de ronddraaiende doorslijpschijf.** Als u de doorslijpschijf in het werkstuk van u weg beweegt, kan in het geval van een terugslag het elektrische gereedschap met de draaiende schijf rechtstreeks naar u toe worden geslingerd.
- c) **Als de doorslijpschijf vastklemt of als u de werkzaamheden onderbreekt, schakelt u het elektrische gereedschap uit en houdt u het rustig tot de schijf tot stilstand is gekomen. Probeer nooit om de nog draaiende doorslijpschijf uit de groef te trekken. Anders kan een terugslag het gevolg zijn.** Stel de oorzaak van het vastklemmen vast en maak deze ongedaan.
- d) **Schakel het elektrische gereedschap niet opnieuw in zolang het zich in het werkstuk bevindt. Laat de doorslijpschijf eerst het volledige toerental bereiken voordat u het doorslijpen voorzichtig voortzet.** Anders kan de schijf vasthaken, uit het werkstuk springen of een terugslag veroorzaken.
- e) **Ondersteun platen of grote werkstukken om het risico van een terugslag door een ingeklemde doorslijpschijf te verminderen.** Grote werkstukken kunnen onder hun eigen gewicht doorbuigen. Het werkstuk moet aan beide zijden worden ondersteund, vlakbij de slijpgroef en aan de rand.
- f) **Wees bijzonder voorzichtig bij invallend frezen in bestaande muren of andere plaatsen zonder voldoende zicht.** De invallende doorslijpschijf kan bij het doorslijpen van gas- of waterleidingen, elektrische leidingen of andere objecten een terugslag veroorzaken.

EXTRA VEILIGHEIDSVORSCHRIFTEN

ALGEMEEN

- Deze machine is niet geschikt voor (door)slijpen met water
- Gebruik alleen de bij deze machine geleverde flenzen/spanmoeren
- Deze machine mag niet worden gebruikt door personen onder de 16 jaar
- **Verwijder de batterij uit de machine voordat u instellingen verandert of een accessoire verwisselt**

ACCESSOIRES

- SKIL kan alleen een correcte werking van de machine garanderen, indien originele accessoires worden gebruikt
- Neem voor het monteren/gebruiken van niet-SKIL accessoires de instructies van de betreffende fabrikant in acht
- **Gebruik uitsluitend afbraam- / (door)slijpschijven met een maximale dikte van 6 mm en een asdiameter van 22 mm**
- Gebruik nooit verklein- of aansluitstukken om afbraam- / (door)slijpschijven met een groot asgat passend te maken
- Gebruik nooit accessoires met een "blind" gat, waarvan de schroefdraad kleiner is dan M14 x 21 mm
- Ga voorzichtig met afbraam- / (door)slijpschijven om en berg deze zorgvuldig op; dit ter voorkoming van splinters en scheuren

VOÓR GEBRUIK

- Laat u zich vóór het eerste gebruik van de machine ook praktisch over de bediening uitteleg geven
- Monteer altijd zijhandgreep E ② en beschermkap F ②; gebruik de machine nooit zonder deze bestanddelen
- **Gebruik een geschikt detectieapparaat om verborgen stroom-, gas- of waterleidingen op te sporen of raadpleeg het plaatselijke energie- of waterleidingbedrijf** (contact met elektrische leidingen kan tot brand of een elektrische schok leiden; beschadiging van een gasleiding kan tot een explosie leiden; breuk van een waterleiding veroorzaakt materiële schade en kan tot een elektrische schok leiden)
- **Bewerk geen asbesthoudend materiaal** (asbest geldt als kankerverwekkend)
- Stof van materiaal zoals loodhoudende verf, sommige houtsoorten, mineralen en metaal kunnen schadelijk zijn (contact met of inademing van de stof kan allergische reacties en/of ademhalingsziekten bij gebruiker of omstanders veroorzaken); **draag een stofmasker en werk met een stofopvang-voorziening als die kan worden aangesloten**
- Bepaalde soorten stof zijn geclassificeerd als kankerverwekkend (zoals stof van eiken en beuken), met name in combinatie met toevoegingsmiddelen voor houtverzorging; **draag een stofmasker en werk met een stofopvang-voorziening als die kan worden aangesloten**
- Neem voor de door u te bewerken materialen de nationale voorschriften aangaande stofopvang in acht
- Wees voorzichtig met het frezen van sleuven, met name in dragende muren (voor sleuven in dragende muren gelden in Nederland specifieke voorschriften; deze voorschriften moeten beslist in acht genomen worden)
- **Zet het werkstuk vast** (een werkstuk, dat is vastgezet met klemmen of in een bankschroef, zit steviger vast dan wanneer het met de hand wordt vastgehouden)
- Klem de machine niet vast in een bankschroef

TIJDENS GEBRUIK

- In geval van elektrische of mechanische storing, de machine onmiddellijk uitschakelen en de batterij verwijderen
- In geval van een onderbreking om de batterij te beschermen, of wanneer de batterij is verwijderd, start de machine niet vanzelf opnieuw op; om de machine opnieuw op te starten moet u de aan/uit-schakelaar ontgrendelen en de machine weer inschakelen ⑪

NA GEBRUIK

- Na uitschakeling van uw machine, nooit een draaiend accessoire stoppen door er aan de zijkant iets tegenaan te drukken

BATTERIJEN

- **De geleverde batterij is deels opgeladen** (om een volledige capaciteit van de batterij te garanderen, moet u de batterij volledig opladen in de oplader voordat u uw elektrische gereedschap voor de eerste keer gebruikt)
- **Gebruik uitsluitend de volgende batterijen en opladers voor deze machine**
 - SKIL-batterij: BR1*31****
 - SKIL-oplader: CR1*31****
- Gebruik de batterij niet, wanneer deze beschadigd is; vervang deze
- Haal de batterij niet uit elkaar
- Stel machine/batterij niet bloot aan regen
- Toegestane omgevingstemperatuur (machine/oplader/batterij):
 - bij het laden 4...40°C
 - bij het gebruik -20...+50°C
 - bij opslag -20...+50°C

UITLEG VAN SYMBOLEN OP MACHINE/BATTERIJ

- ③ Lees de gebruiksaanwijzing vóór gebruik
- ④ Draag een veiligheidsbril en gehoorbescherming
- ⑤ Batterijen exploderen als zij in vuur worden gegooid, dus verbrand de batterij in geen geval
- ⑥ Bewaar de machine/oplader/batterij op een plaats, waar de temperatuur niet hoger dan 50°C kan worden
- ⑦ Geef elektrisch gereedschap en batterijen niet met het huisvuil mee

GEBRUIK

- Opladen batterij
 - ! lees de veiligheidswaarschuwingen en -voorschriften die bij de oplader worden geleverd
- Verwijderen/installeren van de batterij ②
- Batterijniveau-indicator ③
 - druk op de batterijniveau-indicatorknop L om het huidige batterijniveau ⑧a aan te geven
 - ! wanneer het laagste niveau van de batterij-indicator gaat knipperen nadat er op knop L ⑧b is gedrukt, is de batterij leeg
 - ! wanneer 2 niveaus van de batterij-indicator gaan knipperen nadat er op knop L ⑧c is gedrukt, is de batterij niet binnen het toegestane bedrijfstemperatuurbereik
- Batterijbescherming
 - De machine wordt plotseling uitgeschakeld of kan niet meer worden ingeschakeld, wanneer
 - de belasting te hoog is --> hef de belasting op en start opnieuw
 - de temperatuur van de batterij niet binnen het toegestane bedrijfstemperatuurbereik ligt van -20 tot +50°C --> 2 niveaus van de batterijniveau-indicator gaan knipperen als er op knop L ⑧c wordt gedrukt;

wacht tot de batterij weer binnen het toegestane bedrijfstemperatuurbereik zit

- **de batterij bijna leeg is (ter bescherming tegen diepe ontlading)** --> er wordt (knipperend) een laag batterijniveau ⑧b aangegeven door de batterijniveau-indicator als er op knop L wordt gedrukt; batterij opladen
- ! **blijf niet op de aan/uit-schakelaar drukken nadat de machine automatisch is uitgeschakeld; de batterij kan beschadigd worden**
- Monteren van accessoires ②
 - ! **verwijder de batterij uit de machine**
 - maak as A en alle te monteren delen schoon
 - draai spanmoer B vast met sleutel C, terwijl u asvergrendelknop D indrukt
 - ! **druk asvergrendelknop D alleen in, als as A volledig stilstaat**
 - voor verwijderen van accessoires vice-versa handelen
 - ! **afbraam-/ (door)slijpschijven worden zeer heet tijdens gebruik; niet aanraken voordat ze zijn afgekoeld**
 - ! **gebruik een afbraam-/ (door)slijpschijf nooit zonder het etiket, dat erop gelijmd is (indien aanwezig)**
- Monteren van zijhandgreep E ⑨
 - ! **verwijder de batterij uit de machine**
 - schroef extra handgreep E aan de rechter-, boven- of linker kant van het apparaat (afhankelijk van het werk dat moet worden uitgevoerd)
- Verwijderen/monteren/verstellen van beschermkap F ⑩
 - ! **verwijder de batterij uit de machine**
 - ! **zorg ervoor, dat de gesloten zijde van de beschermkap altijd naar de gebruiker wijst**
 - indien nodig, beschermkap F verstellen door schroef G, die vooraf is ingesteld in de fabriek, vast te draaien (**zorg dat de beschermkap gesloten is**)
- Vóór gebruik van de machine
 - zorg ervoor, dat het accessoire correct gemonteerd en stevig vastgemaakt wordt
 - controleer, of het accessoire vrij loopt door het met de hand rond te draaien
 - proefdraai de machine onbelast gedurende minstens 60 seconden op de hoogste snelheid in een veilige positie
 - stop onmiddellijk indien de machine hevig trilt, of bij andere defecten, en controleer de machine teneinde de oorzaak te vinden
- Aan/Uit vergrendelingsschakelaar J ⑪
 - zet de machine aan ⑪a
 - ! **houd bij het aanzetten rekening met een plotselinge terugslag van de machine**
 - ! **voordat het accessoire in aanraking komt met het werkstuk, moet uw machine op volle toeren draaien**
 - vergrendel schakelaar ⑪b
 - ontgrendel schakelaar/schakel machine uit ⑪c
 - ! **voordat u de machine uitschakelt, dient u deze van het werkstuk op te lichten**
 - ! **het accessoire draait nog even door nadat de machine is uitgeschakeld**
- Slijpen/afbramen ⑫
 - beweeg de machine heen en weer met matige druk
 - ! **gebruik nooit een doorslijpschijf voor afbraamwerkzaamheden**

- Doorslijpen ⑬
 - kantel de machine niet tijdens het doorslijpen
 - beweeg de machine altijd in dezelfde richting als de pijl op de voorkant van de machine om te voorkomen, dat de machine ongecontroleerd uit de snede wordt geduwd
 - forceer de machine niet; laat de snelheid van de doorslijpschijf het werk doen
 - de werksnelheid van de doorslijpschijf is afhankelijk van het door te slijpen materiaal
 - rem doorslijpschijven niet af door er aan de zijkant tegenaan te drukken
- Vasthouden en leiden van de machine
 - houd de machine altijd stevig met twee handen vast, zodat u deze altijd volledig onder controle hebt
 - ! **houd de machine tijdens het werk altijd vast bij het(de) grijs-gekleurde greepvlak(ken)** ⑭
 - zorg dat u stevig staat
 - let op de draairichting; houd de machine altijd zó vast, dat vonken of slijpstof van het lichaam wegvliegen
 - houd ventilatie-openingen K ② onbedekt
- Monteren/verwijderen van sleutel C ⑮
 - alleen van toepassing indien machine is gemaakt met extra handgreep met geïntegreerde sleutelopslag

TOEPASSINGSADVIES

- Voor meer informatie zie www.skil.com

ONDERHOUD / SERVICE

- Deze machine is niet bedoeld voor professioneel gebruik
- Houd machine altijd schoon (met name de ventilatie-openingen K ②)
 - ! **verwijder vóór het reinigen de batterij uit de machine**
- Mocht het elektrische gereedschap ondanks zorgvuldige fabricage- en testmethoden toch defect raken, dient de reparatie te worden uitgevoerd door een erkende klantenservice voor SKIL elektrische gereedschappen
 - stuur de machine **ongedemonteerd**, samen met het aankoopbewijs, naar het verkooppadres of het dichtstbijzijnde SKIL service-station (de adressen evenals de onderdelentekening van de machine vindt u op www.skil.com)
- Denk erom, dat beschadigingen als gevolg van overbelasting of onjuist gebruik van de machine niet onder de garantie vallen (voor de garanti voorwaarden van SKIL zie www.skil.com of raadpleeg uw dealer)

MILIEU

- **Geef elektrisch gereedschap, batterijen, accessoires en verpakkingen niet met het huisvuil mee** (alleen voor EU-landen)
 - volgens de Europese richtlijn 2012/19/EG inzake oude elektrische en elektronische apparaten en de toepassing daarvan binnen de nationale wetgeving, dient afgedankt elektrisch gereedschap gescheiden te worden ingezameld en te worden afgevoerd naar een recycle-bedrijf, dat voldoet aan de geldende milieu-eisen
 - symbool ⑦ zal u in het afdankstadium hieraan herinneren
 - ! **bescherm de batterij-contacten met stevig plakband voordat ze afgedankt worden, om kortsluiting te voorkomen**

GELUID / VIBRATIE

- **3920**
 - Gemeten in navolging van EN 62841 is het geluidsdruk-niveau van deze machine 80,5 dB(A) en het geluidsvermogensniveau 91,5 dB(A) (onzekerheid K = 3 dB), en de trilling tijdens vlakslijpen 5,5 m/s² (triax vector som; onzekerheid K = 1.5 m/s²)
 - ! **andere toepassingen (zoals doorslijpen) kunnen andere vibratie-waarden opleveren**
- **3921**
 - Gemeten in navolging van EN 62841 is het geluidsdruk-niveau van deze machine 80,0 dB(A) en het geluidsvermogensniveau 91,0 dB(A) (onzekerheid K = 3 dB), en de trilling tijdens vlakslijpen 4,3 m/s² (triax vector som; onzekerheid K = 1.5 m/s²)
 - ! **andere toepassingen (zoals doorslijpen) kunnen andere vibratie-waarden opleveren**
- Het trillingsemisnieniveau is gemeten in overeenstemming met een gestandaardiseerde test volgens EN 60745; deze mag worden gebruikt om twee machines met elkaar te vergelijken en als voorlopige beoordeling van de blootstelling aan trilling bij gebruik van de machine voor de vermelde toepassingen
 - gebruik van de machine voor andere toepassingen, of met andere of slecht onderhouden accessoires, kan het blootstellingsniveau aanzienlijk **verhogen**
 - wanneer de machine is uitgeschakeld of wanneer deze loopt maar geen werk verricht, kan dit het blootstellingsniveau aanzienlijk **reduceren**
 - ! **bescherm uzelf tegen de gevolgen van trilling door de machine en de accessoires te onderhouden, uw handen warm te houden en uw werkwijze te organiseren**

S

Sladdlös vinkelslipmaskin 3920/3921 INTRODUKTION

- Denna maskin är avsedd för **lätt** slipning, kapning och avgrädnad av metall- och stenmaterial utan användning av vatten
- Det här verktyget är inte avsedd för yrkesmässig användning
- **Utöva inte tryck på maskinen; låt kapskivans varvtal göra arbetet**
- **Skärverksamheter med kapslipskivor får endast utföras med ett kapskydd (tillgängligt som SKIL tillbehör 2610S00253 (3920) / 2610S00275 (3921)) på plats**
- Läs och spara denna instruktionsbok ③

TEKNISKA DATA ①

VERKTYGSELEMENT ②

- A Spindel
- B Fastspänningsflås
- C Nyckel
- D Spindellåsknapp
- E Hjälp-handtag
- F Skyddskåpa
- G Skyddskåpskruv

- H Monteringsflåns
- J På/av låsströmbrytare
- K Ventilationsöppningar
- L Batteriindikator
- M Skyddskåpspak

SÄKERHET

ALLMÄNNA SÄKERHETSANVISNINGAR FÖR ELVERKTYG

⚠️ VARNING Studera alla varningar, anvisningar, bilder och specifikationer gällande säkerhet som medföljer verktyget. Om anvisningarna inte följs kan det resultera i elektriska stötar, brand och/eller allvarliga personskador.

Förvara alla varningar och anvisningar för framtida bruk.

Nedan använt begrepp "elverktyg" hänför sig till nätdrivna elverktyg (med nätsladd) och till batteridrivna elverktyg (sladdlösa).

1) ARBETSPLATSSÄKERHET

- a) **Håll arbetsplatsen ren och välbelyst.** Oordning på arbetsplatsen eller dåligt belyst arbetsområde kan leda till olyckor.
- b) **Använd inte elverktynet i explosionsfarlig omgivning med brännbara vätskor, gaser eller damm.** Elverktynen alstrar gnistor som kan antända dammet eller gaserna.
- c) **Håll under arbetet med elverktynet barn och obehöriga personer på betryggande avstånd.** Om du störs av obehöriga personer kan du förlora kontrollen över elverktynet.

2) ELEKTRISK SÄKERHET

- a) **Elverktynets stickpropp måste passa till vägguttaget. Stickproppen får absolut inte förändras. Använd inte adapterkontakter tillsammans med skyddsjordade elverktyg.** Oförändrade stickproppar och passande vägguttag reducerar risken för elektriskt slag.
- b) **Undvik kroppskontakt med jordade ytor som t. ex. rör, värmelement, spisar och kylskåp.** Det finns en större risk för elektriskt slag om din kropp är jordad.
- c) **Skydda elverktynet mot regn och väta.** Tränger vatten in i ett elverktyg ökar risken för elektriskt slag.
- d) **Missbruka inte nätsladden och använd den inte för att bära eller hänga upp elverktynet och inte heller för att dra stickproppen ur vägguttaget. Håll nätsladden på avstånd från värme, olja, skarpa kanter och rörliga maskindelar.** Skadade eller tilltrasslade ledningar ökar risken för elektriskt slag.
- e) **När du arbetar med ett elverktyg utomhus använd endast förlängningssladdar som är godkända för utomhusbruk.** Om en lämplig förlängningssladd för utomhusbruk används minskar risken för elektriskt slag.
- f) **Använd en jordfelsbrytare om det inte är möjligt att undvika elverktynets användning i fuktig miljö.** Genom att använda en jordfelsbrytare minskar risken för elstöt.

3) PERSONSÄKERHET

- a) **Var uppmärksam, kontrollera vad du gör och använd elverktynet med förnuft. Använd inte elverktynet**

när du är trött eller om du är påverkad av droger, alkohol eller mediciner. Under användning av elverktyg kan även en kort ouppmärksamhet leda till allvarliga kroppsskador.

- b) **Bär alltid personlig skyddsutrustning och skyddsglasögon.** Användning av personlig skyddsutrustning som t. ex. dammfiltermask, halkfria säkerhetsskor, skyddshjälm och hörselskydd reducerar alltefter elverktynets typ och användning risken för kroppsskada.
 - c) **Undvik oavsiktlig igångsättning. Kontrollera att elverktynet är fränkopplat innan du ansluter stickproppen till vägguttaget och/eller ansluter/ tar bort batteriet, tar upp eller bär elverktynet.** Om du bär elverktynet med fingret på strömställaren eller ansluter påkopplat elverktyg till nätströmmen kan olycka uppstå.
 - d) **Ta bort alla inställningsverktyg och skruvnycklar innan du kopplar på elverktynet.** Ett verktyg eller en nyckel i en roterande komponent kan medföra kroppsskada.
 - e) **Överskatta inte din förmåga. Se till att du står stadigt och håller balansen.** I detta fall kan du lättare kontrollera elverktynet i oväntade situationer.
 - f) **Bär lämpliga kläder. Bär inte löst hängande kläder eller smycken. Håll håret och kläderna på avstånd från de rörliga delarna.** Löst hängande kläder, smycken och långt hår kan dras in i roterande delar.
 - g) **Vid elverktyg med dammutsugnings- och -uppsamlingsutrustning kontrollera att anordningarna är rätt monterade och används på korrekt sätt.** Användning av dammutsugning minskar de risker damm orsakar.
 - h) **Låt inte vanan att ofta använda verktygen göra att du blir slarvig och ignorerar verktygets säkerhetsprinciper.** En vårdslös åtgärd kan leda till allvarlig personskada inom bräddelen av en sekund.
- #### 4) OMSORGSFULL HANTERING OCH ANVÄNDNING AV ELVERKTYG
- a) **Överbelasta inte elverktynet.** Använd för aktuell arbete avsett elverktyg. Med ett lämpligt elverktyg kan du arbeta bättre och säkrare inom angivet effektområde.
 - b) **Ett elverktyg med defekt strömställare får inte längre användas.** Ett elverktyg som inte kan kopplas in eller ur är farligt och måste repareras.
 - c) **Dra stickproppen ur vägguttaget och/eller ta bort batteriet, om det kan tas ut ur elverktynet, innan inställningar utförs, tillbehör delar byts ut eller elverktynet lagras.** Denna skyddsåtgärd förhindrar oavsiktlig inkoppling av elverktynet.
 - d) **Förvara elverktynen oätkomliga för barn. Låt elverktynet inte användas av personer som inte är förtrogna med dess användning eller inte läst denna anvisning.** Elverktynen är farliga om de används av oerfarna personer.
 - e) **Underhåll elverktyg och tillbehör omsorgsfullt. Kontrollera att rörliga komponenter fungerar felritt och inte kärvar, att komponenter inte brustit eller skadats; orsaker som kan leda till att elverktynets funktioner påverkas menligt. Låt skadade delar repareras innan elverktynet återanvänds.** Många olyckor orsakas av dåligt skötta elverktyg.
 - f) **Håll skärverktygen skarpa och rena.** Omsorgsfullt

skötta skärverktyg med skarpa eggar kommer inte så lätt i kläm och går lättare att styra.

- g) **Använd elverktyget, tillbehör, insatsverktyg osv. enligt dessa anvisningar. Ta hänsyn till arbetsvillkoren och arbetsmomenten.** Används elverktyget på icke ändamålsenligt sätt kan farliga situationer uppstå.
- h) **Håll handtag och greppytor torra, rena och fria från olja och fett.** Hala handtag och greppytor ger ingen säker hantering och kontroll över verktyget i oväntade situationer.
- 5) **OMSORGSFULL HANTERING OCH ANVÄNDNING AV SLADDLÖSA ELVERKTYG**
 - a) **Ladda batterierna endast i de laddare som tillverkaren rekommenderat.** Om en laddare som är avsedd för en viss typ av batterier används för andra batterityper finns risk för brand.
 - b) **Använd endast batterier som är avsedda för aktuellt elverktyg.** Används andra batterier finns risk för kroppsskada och brand.
 - c) **Håll gem, mynt, nycklar, spikar, skruvar och andra små metallföremål på avstånd från reservbatterier för att undvika en bygling av kontaktarna.** En kortslutning av batteriets kontakter kan leda till brännskador eller brand.
 - d) **Om batteriet används på fel sätt finns risk för att vätska rinner ur batteriet. Undvik kontakt med vätskan. Vid oavsiktlig kontakt spola med vatten. Om vätska kommer i kontakt med ögonen uppsök dessutom läkare.** Batterivätskan kan medföra hudirritation eller brännskada.
 - e) **Använd inte batteriet eller verktyg som är skadade eller modifierade.** Skadade eller modifierade batterier kan bete sig oväntat vilket leder till brand, explosion eller risk för personskador.
 - f) **Du ska inte exponera ett batteri eller verktyg för brand eller för hög temperatur.** Exponering för brand eller temperaturer över 130°C kan leda till explosion.
 - g) **Följ alla laddningsinstruktioner och ladda inte batteriet eller verktyget utanför det temperaturomfång som specificeras i instruktionerna.** En olämplig laddning eller en laddning vid en temperatur som ligger utanför det specificerade området kan skada batteriet och öka brandrisken.

6) SERVICE

- a) **Låt elverktyget repareras endast av kvalificerad fackpersonal och med originalreservdelar.** Detta garanterar att elverktygets säkerhet upprätthålls.
- b) **Utför aldrig service på skadade batterier.** Service på batterier får endast utföras av tillverkaren eller auktoriserade tjänsteleverantörer.

SÄKERHETSANVISNINGAR FÖR VINKELSLIPMASKINER

1) GEMENSAMMA SÄKERHETSANVISNINGAR FÖR SLIPNING OCH KAPSLIPNING

- a) **Elverktyget är avsett att fungera som slip- och kapslipmaskin. Beakta alla säkerhetsanvisningar, anvisningar, illustrationer och data som levereras med elverktyget.** Om nedanstående anvisningar ignoreras finns risk för att elstöt, brand och/eller allvarliga personskador uppstår.

- b) **Elverktyget rekommenderas inte för finslipning, stålborstning eller polering.** Åtgärder som elverktyget inte har konstruerats för kan skapa fara och orsaka personskador.
- c) **Använd inte tillbehör som tillverkaren inte uttryckligen godkänt och rekommenderat för detta elverktyg.** Även om tillbehör kan fästas på elverktyget finns det ingen garanti för en säker användning.
- d) **Insatsverktygets tillåtna varvtal måste åtminstone motsvara elverktygets angivna högsta varvtal.** Tillbehör med en högre rotationshastighet kan förstöras.
- e) **Insatsverktygets yttre diameter och tjocklek måste motsvara elverktygets dimensioner.** Feldimensionerade insatsverktyg kan inte på betryggande sätt avskämmas och kontrolleras.
- f) **Insatsverktyg med gänginsats måste passa exakt till slippindelns gänga. Vid insatsverktyg som monteras med fläns måste insatsverktygets håldiameter passa till flänsens infästningsdiameter.** Insatsverktyg som inte exakt passar till elverktyget roterar ojämnt, vibrerar kraftigt och kan leda till att du förlorar kontrollen över verktyget.
- g) **Använd aldrig skadade insatsverktyg. Kontrollera före varje användning insatsverktygen som t.ex. slipskivor avseende splitterskador och sprickor, sliprondeller avseende sprickor, repor eller kraftigt nedslitning, stålborstar avseende lösa eller brustna trådar.** Om elverktyget eller insatsverktyget skulle falla ned kontrollera om skada uppstått eller montera ett oskadat insatsverktyg. Du och andra personer i närheten ska efter kontroll och montering av insatsverktyg stå utanför insatsverktygets rotationsradie; låt sedan elverktyget rotera en minut med högsta varvtal. Skadade insatsverktyg går i de flesta fall sönder vid denna provkörning.
- h) **Använd personlig skyddsutrustning. Använd alltför avsett arbete ansiktsskärm, ögonskydd eller skyddsglasögon. Om så behövs använd dammfiltermask, hörselskydd, skyddshandskar eller skyddsförkläde som skyddar mot utslungade slip- och materialpartiklar.** Ögonen ska skyddas mot utslungade främmande partiklar som kan uppstå under arbetet. Damm- och andningsskydd måste kunna filtrera bort det damm som eventuellt uppstår under arbetet. Risk finns för hörselskada under en längre tids kraftigt buller.
- i) **Se till att obehöriga personer hålls på betryggande avstånd från arbetsområdet. Alla som rör sig inom arbetsområdet måste använda personlig skyddsutrustning.** Brottstycken från arbetsstycket eller insatsverktygen kan slungas ut och orsaka personskada även utanför arbetsområdet.
- j) **Håll endast verktyget i de isolerade greppytorna när du utför en åtgärd där tillbehör kan komma i kontakt med dolda elledning.** Tillbehör som kommer i kontakt med en strömförande ledning kan medföra att verktygets exponerade metalldelar blir strömförande och leda till att användaren får en elektrisk stöt.
- k) **Håll nätsladden på avstånd från roterande insatsverktyg.** Om du förlorar kontrollen över elverktyget kan nätsladden kapas eller dras in varvid risk finns för att din hand eller arm dras mot det roterande insatsverktyget.

- l) **Lägg aldrig bort elverktyget innan insatsverktyget stannat fullständigt.** Det roterande insatsverktyget kan komma i beröring med underlaget varvid risk finns att du förlorar kontrollen över elverktyget.
- m) **Elverktyget får inte rotera när det bärs.** Kläder kan vid tillfällig kontakt med det roterande insatsverktyget dras in varvid insatsverktyget dras mot din kropp.
- n) **Rengör regelbundet elverktygets ventilationsöppningar.** Motorfläkten drar in damm i huset och en kraftig anhopning av metalldamm kan orsaka farliga elströmmar.
- o) **Använd inte elverktyget i närheten av brännbara material.** Risk finns för att gnistor antänder materialet.
- p) **Använd inte insatsverktyg som kräver flytande kylmedel.** Vatten eller andra kylvätskor kan medföra elstöt.
- 2) VARNING FÖR BAKSLAG**
- Ett bakslag är en plötslig reaktion hos insatsverktyget när t.ex. slipskivan, slipondellen, stålborsten hakar upp sig eller blockerar. Detta leder till abrupt uppbromsning av det roterande insatsverktyget. Härvid accelererar ett okontrollerat elverktyg mot insatsverktygets rotationsriktning vid inklämningsstället.
 - Om t.ex. en slipskiva hakar upp sig eller blockerar i arbetsstycket kan slipskivans kant i arbetsstycket klämmas fast varvid slipskivan bryts sönder eller orsakar bakslag. Slipskivan rör sig nu mot eller bort från användaren beroende på skivans rotationsriktning vid inklämningsstället. Härvid kan slipskivan även brytas sönder.
 - Bakslag uppstår till följd av missbruk eller felaktig hantering av elverktyget. Detta kan undvikas genom skyddsåtgärder som beskrivs nedan.
- a) **Håll stadigt i elverktyget samt kroppen och armarna i ett läge som är lämpligt för att motstå bakslagskrafter.** Använd alltid stödhandtaget för bästa möjliga kontroll av bakslagskrafter och reaktionsmoment vid start. Användaren kan genom lämpliga försiktighetsåtgärder bättre behärska bakslags- och reaktionskrafterna.
- b) **Håll alltid handen på betryggande avstånd från det roterande insatsverktyget.** Insatsverktyget kan vid ett bakslag gå mot din hand.
- c) **Undvik att hålla kroppen inom det område elverktyget vid ett bakslag rör sig.** Bakslaget kommer att driva elverktyget i motsatt riktning till slipskivans rörelse vid inklämningsstället.
- d) **Var särskilt försiktig vid bearbetning av hörn, skarpa kanter osv. Håll emot så att insatsverktyget inte studsar ut från arbetsstycket eller kommer i kläm.** På hörn, skarpa kanter eller vid studsning tenderar det roterande insatsverktyget att komma i kläm. Detta kan leda till att kontrollen förloras eller att bakslag uppstår.
- e) **Använd aldrig kedje- eller tandade sågkingor.** Dessa insatsverktyg orsakar ofta ett bakslag eller förlust av kontrollen över elverktyget.
- 3) SPECIELLA SÄKERHETSANVISNINGAR FÖR SLIPNING OCH KAPSLIPNING**
- a) **Använd endast slipkroppar som godkänts för aktuellt elverktyg och de sprängskydd som är avsedda för dessa slipkroppar.** Slipkroppar som inte är avsedda för aktuellt elverktyg kan inte på betryggande sätt skyddas och är därför farliga.
- b) **Skålade slipskivor måste monteras så att skivans**

- slipyta inte skjuter ut över sprängskyddskantens plan.** En felaktigt monterad slipskiva som skjuter ut över sprängskyddets plan kan inte smörjas i tillräcklig grad.
- c) **Sprängskyddet måste monteras ordentligt på elverktyget och vara infäst så att högsta möjliga säkerhet uppnås, dvs den del av slipkroppen som är vänd mot användaren måste vara möjligast väl skyddad.** Sprängskyddet ska skydda användaren mot brottstycken från, oavsiktlig kontakt med slipkroppen och gnistor som kan antända kläder.
- d) **Slipkroppar får användas endast för rekommenderade arbeten, t.ex.:** Slipa aldrig med kapskivans sidoyta. Kapskivor är avsedda för materialavverkning med skivans kant. Om tryck från sidan utövas mot slipkroppen kan den spricka.
- e) **För vald slipskiva ska alltid oskadade spännflansar i korrekt storlek och form användas.** Lämpliga flansar stöder slipskivan och reducerar risken för slipskivsbrott. Flansar för kapskivor och andra slipskivor kan ha olika utseende och form.
- f) **Använd inte nedslitna slipskivor från större elverktyg.** Slipskivor för större elverktyg är inte konstruerade för de mindre elverktygens högre varvtal och kan därför spricka.
- 4) ANDRA SPECIELLA SÄKERHETSANVISNINGAR FÖR KAPSLIPNING**
- a) **Se till att kapskivan inte kommer i kläm och att den inte utsätts för högt mottryck. Försök inte skära för djupt.** Om kapskivan överbelastas ökar dess påfrestning och risk finns för att den snedvids eller blockerar som sedan kan resultera i bakslag eller slipkroppsbrott.
- b) **Undvik området framför och bakom den roterande kapskivan.** Om du för kapskivan i arbetsstycket bort från kroppen kan i händelse av ett bakslag elverktyget med roterande skiva slungas mot din kropp.
- c) **Om kapskivan kommer i kläm eller arbetet avbryts, koppla från elverktyget och håll det lugnt tills skivan stannat fullständigt. Försök aldrig dra ut en roterande kapskiva ur skärspåret då detta kan leda till bakslag.** Lokalisera och åtgärda orsaken för inklämning.
- d) **Koppla inte åter på elverktyget om det sitter i arbetsstycket. Låt kapskivan uppnå fullt varvtal innan den försiktigt förs in i skärspåret för fortsatt kapning.** I annat fall kan skivan haka upp sig, hoppa ur arbetsstycket eller orsaka bakslag.
- e) **För att reducera risken för ett bakslag till följd av inklämd kapskiva ska skivor och andra stora arbetsstycken stödas.** Stora arbetsstycken kan böjas ut till följd av hög egenvikt. Arbetsstycket måste därför stödas på båda sidorna både i närheten av skärspåret och vid kanten.
- f) **Var speciellt försiktig vid "fickkapning" i dolda områden som t.ex. i en färdig vägg.** Där risk finns att kapskivan kommer i kontakt med gas- eller vattenledningar, elledningar eller andra föremål som kan orsaka bakslag.

EXTRA SÄKERHETSANVISNINGAR

ALLMÄNT

- Denna maskin är inte lämplig till vattenslipning/kapning
- Använd endast de flansar som medföljer maskinen

- Den här maskinen ska inte användas av personer under 16 år
- **titta aldrig ner i luftutsläppet/munstycket**

TILLBEHÖR

- SKIL kan endast garantera att maskinen fungerar felfritt om originaltillbehör används
- Vid montering av tillbehör från andra tillverkare än SKIL skall anvisningarna från vederbörande tillverkare följas
- **Använd endast slip/kapskivor med en tjocklek på högst 6 mm och en spindelhålsdiameter på 22 mm**
- Använd aldrig en insatsbricka eller adapter för att fylla ett större centrumhål i slip/kapskivor
- Använd aldrig tillbehör med ett "blint" gängat hål som är mindre än M14 x 21 mm
- Hantera och förvara slip-/kapskivor med försiktighet så att de inte flisar sig eller spricker

FÖRE ANVÄNDNINGEN

- Det är bäst att få någon att visa dig hur maskinen används innan du använder den för första gången
- Montera alltid extrahandtaget E ② och skyddskåpan F ②; använd aldrig maskinen utan dessa delar
- **Använd lämpliga detektorer för lokalisering av dolda försörjningsledningar eller konsultera lokalt distributionsföretag** (kontakt med elledningar kan förorsaka brand och elstöt; en skadad gasledning kan leda till explosion; borrhning i vattenledning kan förorsaka saksador eller elstöt)
- **Asbesthaltigt material får inte bearbetas** (asbest anses vara cancerframkallande)
- Viss typ av damm, exempelvis färg som innehåller bly, vissa träsorter, mineraler och metaller kan vara hälsovådliga om de inhaleras (hudkontakt eller inandning kan ge allergisk reaktion och/eller luftvägsproblem/sjukdom hos personer i närheten); **använd andningsskydd och arbeta med en dammuppsamlare om sådan anslutning finns**
- Vissa typer av damm är klassificerade så som carcinogena (t.ex. ek- och björkdamm) särskilt i kombination med tillsatser för träbehandling; **använd andningsskydd och arbeta med en dammuppsamlare om sådan anslutning finns**
- Följ de nationella krav, som finns angående damm, för de material du skall arbeta med
- Var försiktig när du skär skåror, särskilt i bärande väggar (det finns bestämmelser om skåror i bärande väggar; dessa bestämmelser växlar från land till land och måste följas under alla förhållanden)
- **Sätt fast arbetsstycket** (ett arbetsstycke festsatt med skruvtingar eller i ett skruvstöd är mera stabilt än om det hålls fast för hand)
- Spänn inte fast maskinen i ett städ

UNDER ANVÄNDNINGEN

- I händelse av onormala elektriska eller mekaniska störningar, stäng genast av maskinen och ta ut batteriet
- Om batteriskyddet slår av maskinen eller när batteriet tas ut, kommer maskinen inte att starta om automatiskt; för att starta om maskinen, frigör på/av-knappen och slå på maskinen igen ①

EFTER ANVÄNDNINGEN

- Få aldrig tillbehöret att sluta rotera genom att utöva kraft på det från sidan efter det att maskinen har stängts av

BATTERIERNA

- **Det medföljande batteriet är delvis laddat** (i syfte att garantera batteriets fulla kapacitet ska det laddas helt och hållet i batteriladdaren innan verktyget används för första gången)

- **Använd endast följande batterier och laddare med det här verktyget**
 - SKIL-batteri: BR1*31****
 - SKIL-laddare: CR1*31****
- Använd inte batteriet om det är skadat; det ska bytas ut
- Demontera inte batteriet
- Utsätt inte verktyget/batteriet för regn
- Tillåten omgivningstemperatur (verktyg/laddare/batteri):
 - vid laddning 4...40°C
 - vid drift -20...+50°C
 - vid förvaring -20...+50°C

FÖRKLARING AV SYMBOLER PÅ VERKTYGET/ BATTERIET

- ③ Läs bruksanvisningen före användning
- ④ Använd skyddsglasögon och hörselskydd
- ⑤ Batterierna kan explodera om de utsätts för eld, undanhåll batterierna från heta källor
- ⑥ Förvara maskinen/laddaren/batteriet i lokaler, där temperaturen inte överstiger 50°C
- ⑦ Elektriska verktyg och batterier får inte kastas i hushållsoporna

ANVÄNDNING

- Laddning av batteri
 - ! läs säkerhetsvarningarna och anvisningarna som levereras med laddaren
 - Ta bort/sätta i batteriet ②
 - Batteriindikator ⑧
 - tryck på indikatorknappen L för batterinivå för att visa aktuell batterinivå ⑧a
 - ! när batteriindikatorns lägsta nivå börjar att blinka efter att knappen L ⑧b tryckts in, är batteriet tomt
 - ! när batteriindikatorns lägsta nivåer 2 börjar blinka efter knappen L ⑧c tryckts in, är batteriet inte inom tillåtet drifttemperaturområde
- Batteriskydd
 - Verktyget stängs plötsligt av eller förhindras att startas när
 - belastningen är för hög --> ta bort belastning och starta om
 - batteriets temperatur över- eller underskrider arbetsområdet -20 till +50°C --> batteriindikatorns nivåer 2 börjar blinka när knappen L ⑧c trycks in; vänta tills batteriet återigen är inom tillåtet drifttemperaturområde
 - batteriet är nästan tomt (för att skydda fullständig urladdning) --> en låg batterinivå eller blinkande låg batterinivå ⑧b visas av batteriindikatorn när knappen L trycks på; ladda batteriet
 - ! fortsätt inte trycka på till/frånknappen efter att verktyget stängts av automatiskt; batteriet kan skadas
- Montering av tillbehör ②
 - ! ta ut batteriet ur maskinen
 - gör ren spindeln A och alla delar som skall monteras
 - dra åt fastspänningsflänsen B med nyckel C och tryck samtidigt på spindelåsningsknappen D
 - ! tryck bara på spindelåsknappen D när spindeln A står stilla
 - för borttagning av tillbehör utförs förfarandet i omvänd ordning
 - ! slip/kapskivor blir mycket varma under användningen; vidrör dem inte förrän de har svalnat

! använd aldrig en slip/kapskiva utan etikett; etiketten är fastklitråd (i förekommande fall) på skivan

- Montering av extrahandtaget E ⑨
 - ! ta ut batteriet ur maskinen**
 - skruva på extrahandtaget E på verktygets högra, övre eller vänstra sida (beroende på arbetet som ska utföras)
- Demontering/montering/justering av skyddskåpan F ⑩
 - ! ta ut batteriet ur maskinen**
 - ! se till att den slutna sidan av skyddskåpan alltid är riktad mot användaren**
 - om nödvändigt, justera skyddskåpan F genom att dra åt skruven G, som är förinställd av tillverkaren (**kontrollera att skyddskåpan är stängd**)
- Före användning av maskinen
 - försäkra dig om att tillbehöret är korrekt monterat och ordentligt åtskruvat
 - kontrollera att tillbehöret rör sig obehindrat genom att vrida det för hand
 - testkör maskinen i minst 60 sekunder på maximalt tillåtna obelastade varvtal i en säker position
 - stanna omedelbart maskinen vid kraftig vibration eller om andra fel uppstår och kontrollera maskinen för att bedöma orsaken
- På/Av läsströmbrytare J ⑪
 - sätt på maskinen ⑪a
 - ! maskinen snabbstartar och kan rycka till innan tillbehöret sätts till arbetsstycket skall maskinen ha uppnått full hastighet**
 - läs strömbrytaren ⑪b
 - lösgör strömbrytaren/stäng av maskinen ⑪c
 - ! maskinen skall tas bort från arbetsstycket innan den stängs av**
 - ! tillbehöret fortsätter att rotera en kort stund efter att maskinen stängts av**
- Slipning ⑫
 - rör maskinen fram och tillbaka med måttligt tryck
 - ! använd aldrig en kapskiva för sidslipning**
- Kapning ⑬
 - vicka inte på maskinen vid kapning
 - rör alltid maskinen i samma riktning som maskinhuvudet så att maskinen inte kan skjutas ut ur skåran på ett okontrollerat sätt
 - utöva inte tryck på maskinen; låt kapskivans varvtal göra arbetet
 - kapskivans varvtal beror på materialet som skall kapas - bromsa inte upp kapskivor genom att trycka på sidan
- Fattning och styrning av maskinen
 - håll alltid stadigt i maskinen med båda händerna, så att du hela tiden har full kontroll över maskinen
 - ! under arbetet, håll alltid verktyget i det grå greppet ⑭**
 - se till att du står stadigt
 - tänk på rotationsriktningen och håll alltid maskinen så att gnistor och slip/skårdamm flyger bort från kroppen
 - håll ventilationsöppningarna K ⑫ ej övertäckta
- Nyckel C ⑮ för montering/borttagning
 - gäller endast om verktyget används med ett extrahandtag med integrerad nyckelförvaring

ANVÄNDNINGSTIPS

- Besök www.skil.com för mer information

UNDERHÅLL / SERVICE

- Det här verktyget är inte avsedd för yrkesmässig användning
- Håll alltid verktyget rent (i synnerhet ventilationsöppningarna K ⑫)
- ! ta bort batteriet från verktyget före rengöring**
- Om i elverket trots exakt tillverkning och sträng kontroll störning skulle uppstå, bör reparation utföras av auktoriserad serviceverkstad för SKIL elverktyg
 - sänd in verktyget i **odemonterat skick** tillsammans med inköpsbevis till försäljaren eller till närmaste SKIL serviceverkstad (adresser till servicestationer och sprängskisser av maskiner finns på www.skil.com)
- Observera att skada till följd av ovarsamhet eller överbelastning inte täcks av garantin (för SKIL garantivillkor gå till www.skil.com eller fråga återförsäljaren)

MILJÖ

- **Elektriska verktyg, batterier, tillbehör och förpackning får inte kastas i hushållssoporna** (gäller endast EU-länder)
 - enligt direktivet 2012/19/EG som avser äldre elektrisk och elektronisk utrustning och dess tillämpning enligt nationell lagstiftning ska uttjänta elektriska verktyg sorteras separat och lämnas till miljövänlig återvinning
 - symbolen ⑦ kommer att påminna om detta när det är tid att kassera
- ! före avyttring av batterierna, tejpa kontaktytorna med kraftig tejp för att undvika kortslutning**

LJUD / VIBRATION

- **3920**
Det här verktygets ljudtrycksnivå som mätts enligt EN 60745 är 80,5 dB(A), ljudeffektivnivån är 91,5 dB(A) (osäkerhet K = 3 dB) och vibrationen vid yt slipning 5,5 m/s² (triax vektorsumma; osäkerhet K = 1,5 m/s²)
! andra applikationer (såsom kapning) där kan vibrationsvärdena
- **3921**
Det här verktygets ljudtrycksnivå som mätts enligt EN 60745 är 80,0 dB(A), ljudeffektivnivån är 91,0 dB(A) (osäkerhet K = 3 dB) och vibrationen vid yt slipning 4,3 m/s² (triax vektorsumma; osäkerhet K = 1,5 m/s²)
! andra applikationer (såsom kapning) där kan vibrationsvärdena
- Vibrationsemissionsvärdet har uppmätts enligt ett standardiserat test i enlighet med EN 60745; detta värde kan användas för att jämföra vibrationen hos olika verktyg och som en ungefärlig uppskattning av hur stor vibration användaren utsätts för när verktyget används enligt det avsedda syftet
 - om verktyget används på ett annat än det avsedda syftet eller med fel eller dåligt underhållna tillbehör kan detta drastiskt **öka** vibrationsnivån
 - när verktyget stängs av eller är på men inte används, kan detta avsevärt **minska** vibrationsnivån
- ! skydda dig mot vibration genom att underhålla verktyget och dess tillbehör, hålla händerna varma och styra upp ditt arbetssätt**

Batteridrevet vinkelsliber 3920/3921

INLEDNING

- Dette værktøj er beregnet til let slibning, skæring og afgratning af metal og stenmaterialer uden brug af vand
- Dette værktøj er ikke beregnet til professionelt brug
- **Påfør ikke tryk på værktøjet; lad skæreskivens hastighed gøre arbejdet**
- **Skærefunktioner med slibeskærehjul er kun tilladt, hvis der bruges en beskyttelsesskærm (kan fås som ekstra SKIL-tilbehør 2610S00253 (3920) / 2610S00275 (3921))**
- Læs og gem denne betjeningsvejledning ③

TEKNISKE DATA ①

VÆRKTØJETS DELE ②

- A Spindel
- B Spændeflange
- C Nøgle
- D Spindellåseknop
- E Støttehåndtag
- F Beskyttelsesskærm
- G Beskyttelsesskærmskrue
- H Monteringsflange
- J On/off låseafbryder
- K Ventilationshuller
- L Indikator for batteritilstand
- M Beskyttelsesskærmgreb

SIKKERHED

GENERELLE SIKKERHEDSINSTRUKSER FOR EL-VÆRKTØJ

⚠ ADVARSEL Læs alle sikkerhedsadvarsler, instruktioner, illustrationer og specifikationer, der leveres med dette elektriske værktøj. Hvis alle instruktioner opført herunder ikke følges, kan det medføre elektrisk stød, brand og/eller alvorlige kvæstelser.

Gem alle advarsler og instruktioner til senere brug.

Begrebet "elværktøj" i advarselne refererer til elværktøj, der kører på lysnettet (med netkabel) samt batteridrevet værktøj (uden netkabel).

1) SIKKERHED PÅ ARBEJDSPLADSEN

- a) **Sørg for, at arbejdsområdet er rent og ryddeligt.** Uorden eller uoplyste arbejdsområder øger faren for uheld.
- b) **Brug ikke elværktøjet i eksplosionstruede omgivelser, hvor der er brændbare væsker, gasser eller støv.** Elværktøj kan slå gnister, der kan antænde støv eller dampe.
- c) **Sørg for, at andre personer og ikke mindst børn holdes væk fra arbejdsområdet, når el-værktøjet er i brug.** Hvis man distraheres, kan man miste kontrollen over elværktøjet.

2) ELEKTRISK SIKKERHED

- a) **Elværktøjets stik skal passe til kontakten. Stikket**

må under ingen omstændigheder ændres. Brug ikke adapterstik sammen med jordforbundet elværktøj. Uændrede stik, der passer til kontakterne, nedsætter risikoen for elektrisk stød.

- b) **Undgå kropskontakt med jordforbundne overflader som f.eks. rør, radiatorer, komfurer og køleskabe.** Hvis din krop er jordforbundet, øges risikoen for elektrisk stød.
 - c) **Elværktøjet må ikke udsættes for regn eller fugt.** Indtrængning af vand i et elværktøj øger risikoen for elektrisk stød.
 - d) **Brug ikke ledningen til formål, den ikke er beregnet til. Du må aldrig bære elværktøjet i ledningen, hænge elværktøjet op i ledningen eller rykke i ledningen for at trække stikket ud af kontakten. Beskyt ledningen mod varme, olie, skarpe kanter eller maskindele, der er i bevægelse.** Beskadigede eller indviklede ledninger øger risikoen for elektrisk stød.
 - e) **Hvis elværktøjet benyttes i det fri, må der kun benyttes en forlængerledning, der er egnet til udendørs brug.** Brug af forlængerledning til udendørs brug nedsætter risikoen for elektrisk stød.
 - f) **Hvis det ikke kan undgås at bruge elværktøjet i fugtige omgivelser, skal der bruges et HFI-relæ.** Brug af et HFI-relæ reducerer risikoen for at få elektrisk stød.
- #### 3) PERSONLIG SIKKERHED
- a) **Det er vigtigt at være opmærksom, se, hvad man laver, og bruge el-værktøjet fornuftigt. Brug ikke noget el-værktøj, hvis du er træt, har nydt alkohol eller er påvirket af medicamenter eller euforiserende stoffer.** Få sekunders uopmærksomhed ved brug af el-værktøjet kan føre til alvorlige personskader.
 - b) **Brug beskyttelsesudstyr og hav altid beskyttelsesbriller på.** Brug af sikkerhedsudstyr som f.eks. støvmaske, skridsikkert fodtøj, beskyttelseshjelm eller høreværn afhængig af maskintype og anvendelse nedsætter risikoen for personskader.
 - c) **Undgå utilsigtet igangsætning. Kontrollér, at el-værktøjet er slukket, før du tilslutter det til strømtilførslen og/eller akkuen, løfter eller bærer det.** Undgå at bære el-værktøjet med fingeren på afbryderen og sørg for, at el-værktøjet ikke er tændt, når det slutes til nettet, da dette øger risikoen for personskader.
 - d) **Gør det til en vane altid at fjerne indstillingsværktøj eller skruenøgle, før el-værktøjet tændes.** Hvis et stykke værktøj eller en nøgle sidder i en roterende maskindel, er der risiko for personskader.
 - e) **Undgå en unormal legemssposition. Sørg for at stå sikkert, mens der arbejdes, og kom ikke ud af balance.** Dermed har du bedre muligheder for at kontrollere el-værktøjet, hvis der skulle opstå uventede situationer.
 - f) **Brug egnet arbejdstøj. Undgå løse beklædningsgenstande eller smykker. Hold hår og tøj væk fra dele, der bevæger sig.** Dele, der er i bevægelse, kan gribe fat i løstsiddende tøj, smykker eller langt hår.
 - g) **Hvis støvsugnings- og opsamlingsudstyr kan monteres, er det vigtigt, at dette tilsluttes og benyttes korrekt.** Brug af en støvsugning kan reducere støvmængden og dermed den fare, der er forbundet støv.

- h) **Selvom du kender værktøjet godt og er vant til at bruge det, skal du alligevel være opmærksom og overholde sikkerhedsanvisningerne.** Et øjeblikks uopmærksomhed kan medføre alvorlige personskader.
- 4) OMHYGGELIG OMGANG MED OG BRUG AF EL-VÆRKTØJ**
- a) **Undgå overbelastning af el-værktøjet. Brug altid et el-værktøj, der er beregnet til det stykke arbejde, der skal udføres.** Med det passende el-værktøj arbejder man bedst og mest sikkert inden for det angivne effektområde.
- b) **Brug ikke et el-værktøj, hvis afbryder er defekt.** Et el-værktøj, der ikke kan startes og stoppes, er farlig og skal repareres.
- c) **Træk stikket ud af stikkontakten og/eller fjern akkuen, hvis den er aftagelig, før maskinen indstilles, før skift af tilbehørsdele eller før el-værktøjet lægges til opbevaring.** Disse sikkerhedsforanstaltninger forhindrer utilsigtet start af el-værktøjet.
- d) **Opbevar ubenyttet el-værktøj uden for børns rækkevidde. Lad aldrig personer, der ikke er fortrolige med el-værktøjet eller ikke har gennemlæst disse instrukser, benytte el-værktøjet.** El-værktøj er farligt, hvis det benyttes af ukyndige personer.
- e) **Vedligehold el-værktøj og tilbehørsdele. Kontroller, om bevægelige maskindele fungerer korrekt og ikke sidder fast, og om delene er brækket eller beskadiget, således at el-værktøjets funktion påvirkes. Få beskadigede dele repareret, inden el-værktøjet tages i brug.** Mange uheld skyldes dårligt vedligeholdte el-værktøjer.
- f) **Sørg for, at skæreværktøjer er skarpe og rene.** Omhyggeligt vedligeholdte skæreværktøjer med skarpe skærekanten sætter sig ikke så hurtigt fast og er nemmere at føre.
- g) **Brug el-værktøj, tilbehør, indsatsværktøj osv. iht. disse instrukser. Tag hensyn til arbejdsforholdene og det arbejde, der skal udføres.** Anvendelse af el-værktøjet til formål, som ligger uden for det fastsatte anvendelsesområde, kan føre til farlige situationer.
- h) **Hold håndtag og gribeblader tørre, rene og fri for olie og smørefedt.** Hvis håndtag og gribeblader er glatte, kan værktøjet ikke håndteres og styres sikkert, hvis der sker noget uventet.
- 5) OMHYGGELIG OMGANG MED OG BRUG AF AKKU-VÆRKTØJER**
- a) **Opplad kun akkuer i ladeaggregater, der er anbefalet af fabrikanten.** Et ladeaggregat, der er egnet til en bestemt type akkuer, må ikke benyttes med andre akkuer - brandfare.
- b) **Brug kun de akkuer, der er beregnet til værktøjet.** Brug af andre akkuer øger risikoen for personskader og er forbundet med brandfare.
- c) **Ikke benyttede akkuer må ikke komme i berøring med kontorclips, mønter, nøgler, søm, skruer eller andre små metalgenstande, da disse kan kortslutte kontakterne.** En kortslutning mellem akku-kontakterne øger risikoen for personskader i form af forbrændinger.
- d) **Hvis akkuen anvendes forkert, kan der slippe væske ud af akkuen. Undgå at komme i kontakt med denne væske.** Hvis det alligevel skulle ske, skylles med

- vand. **Søg læge, hvis væsken kommer i øjnene.** Akku-væske kan give hudirritation eller forbrændinger.
- e) **Brug ikke akkuer eller værktøj, som er beskadiget eller modificeret.** Beskadigede eller modificerede akkuer kan opføre sig uforudsigeligt og forårsage brand, eksplosion eller fare for personskade.
- f) **Akkuer eller værktøj må ikke udsættes for ild eller meget høje temperaturer.** Ild eller temperaturer over 130°C kan medføre eksplosion.
- g) **Følg alle instruktioner for opladning. Akkuen må ikke oplades ved temperaturer uden for det område, der er angivet i instruktionerne.** Forkert opladning eller opladning ved temperaturer uden for det angivne område kan medføre skader på akkuen og forøge brandfaren.
- 6) SERVICE**
- a) **Sørg for, at el-værktøj kun repareres af kvalificerede fagfolk og at der kun benyttes originale reservedele.** Dermed sikres størst mulig maskinsikkerhed.
- b) **Beskadigede akkuer må aldrig repareres.** Reparation af akkuer må kun udføres af producenten eller autoriserede reparatører.

SIKKERHEDSINSTRUKSER FOR VINKELSLIBERE

- 1) FÆLLES SIKKERHEDSINSTRUKSER TIL SLIBNING OG SLIBE-SKÆREARBEJDE**
- a) **Dette el-værktøj kan anvendes som sliber og skæremaskine. Læs og overhold alle advarsler, instruktioner, illustrationer og data, som du modtager i forbindelse med el-værktøjet.** Overholder du ikke følgende instruktioner, kan du få elektrisk stød, der kan opstå brand og/eller du kan blive kvæstet alvorligt.
- b) **Dette elektriske værktøj anbefales ikke til finslibning, stålborstning eller polering.** Hvis man anvender det elektriske værktøj til andet end det beregnede formål, kan der opstå fare og personskade.
- c) **Anvend kun tilbehør, hvis det er beregnet til dette el-værktøj og anbefalet af fabrikanten.** En mulig fastgørelse af tilbehøret til el-værktøjet sikrer ikke en sikker anvendelse.
- d) **Den tilladte hastighed for indsatsværktøjet skal mindst være så høj som den max. hastighed, der er angivet på el-værktøjet.** Tilbehør, der drejer hurtigere end tilladt, kan blive ødelagt.
- e) **Indsatsværktøjets udvendige diameter og tykkelse skal svare til målene på dit el-værktøj.** Forkert målte indsatsværktøjer kan ikke afskærmes eller kontrolleres tilstrækkeligt.
- f) **Indsatsværktøj med gevindindsats skal passe nøjagtigt på slibespindlens gevind. Ved indsatsværktøj, der monteres med en flange, skal indsatsværktøjets hul diameter passe til flangens holdediameter.** Indsatsværktøj, der ikke fastgøres nøjagtigt på el-værktøjet, drejer ujævnt, vibrerer meget stærkt og kan medføre, at man taber kontrollen.
- g) **Brug ikke el-værktøjet, hvis det er beskadiget. Kontroller altid før brug indsatsværktøj som f.eks. slibesliver for afspintninger og revner, slibebagskiver for revner, slid eller stærkt slid, trådbørster for løse eller brækkede tråde. Tabes el-værktøjet eller indsatsværktøjet på jorden, skal du kontrollere, om det er beskadiget; anvend evt. et**

ubeskadiget indsatsværktøj. Når indsatsværktøjet er kontrolleret og indsat, skal du holde dig selv og personer, der befinder sig i nærheden, uden for det niveau, hvor indsatsværktøjet roterer, og lad el-værktøjet køre i et minut ved højeste hastighed.

Beskadiget indsatsværktøj brækker for det meste i denne testtid.

- h) **Brug personligt beskyttelsesudstyr. Brug helmaske til ansigtet, øjenværn eller beskyttelsesbriller, afhængigt af det udførte arbejde. Brug afhængigt af arbejdets art støvmaske, høreværn, beskyttelseshandsker eller specialforklæde, der beskytter dig mod små slibe- og materialepartikler.** Øjenene skal beskyttes mod fremmede genstande, der flyver rundt i luften og som opstår i forbindelse med forskelligt arbejde. Støv- eller åndedrætsmaske skal filtrere det støv, der opstår under arbejdet. Udsættes du for høj støj i længere tid, kan du lide høretab.
- i) **Sørg for tilstrækkelig afstand til andre personer under arbejdet. Enhver, der betræder arbejdsområdet, skal bruge personligt beskyttelsesudstyr.** Brudstykker fra emnet eller brækkede indsatsværktøjer kan flyve væk og føre til kvæstelser også uden for det direkte arbejdsområde.
- j) **Hold altid el-værktøjet kun i de isolerede greb, når der udføres arbejde, hvor tilbehøret kan komme i berøring med skjulte ledninger.** Et tilbehør, der kommer i kontakt med en spændingsførende ledning, kan også sætte eksponerede metaldele på elværktøjet under spænding, hvilket kan give brugeren elektrisk stød.
- k) **Hold netkablet væk fra roterende indsatsværktøj.** Taber du kontrollen over el-værktøjet, kan netkablet skæres over eller rammes, og din hånd eller din arm kan trækkes ind i det roterende indsatsværktøj.
- l) **Læg aldrig el-værktøjet til side, før indsatsværktøjet står helt stille.** Det roterende indsatsværktøj kan komme i kontakt med fralægningsfladen, hvorved du kan tabe kontrollen over el-værktøjet.
- m) **Lad ikke el-værktøjet køre, mens det bæres.** Dit tøj kan blive fanget ved en tilfældig kontakt med det roterende indsatsværktøj, hvorved indsatsværktøjet kan bore sig ind i din krop.
- n) **Rengør ventilationsåbningerne på dit el-værktøj med regelmæssige mellemrum.** Motoren trækker støv ind i huset, og store mængder metalstøv kan være farligt rent elektrisk.
- o) **Brug ikke el-værktøjet i nærheden af brændbare materialer.** Gnister kan sætte ild i materialer.
- p) **Brug ikke indsatsværktøj, der transporterer flydende kølemiddel.** Brug af vand eller andre flydende kølemidler kan føre til elektrisk stød.
- 2) TILBAGESLAG OG TILSVARENDE ADVARSLER**
- Tilbageslag er en pludselig reaktion, som skyldes, at et roterende indsatsværktøj (slibemaskine, slibebagskive, trådbørste osv.) har sat sig fast eller blokerer. Fastsættelse eller blokering fører til et pludseligt stop af det roterende indsatsværktøj. Derved accelererer et ukontrolleret el-værktøj mod indsatsværktøjets drejeretning på blokeringsstedet.
 - Sidder f.eks. en slibeskive fast eller blokerer i et emne, kan kanten på slibeskiven, der dykker ned i emnet, blive siddende, hvorved slibeskiven brækker af eller fører til et tilbageslag. Slibeskiven bevæger sig så hen imod eller væk fra betjeningspersonen, afhængigt af skivens

drejeretning på blokeringsstedet. I denne forbindelse kan slibeskiver også brække.

- Et tilbageslag skyldes forkert eller fejlbehæftet brug af el-værktøjet. Det kan forhindres ved at træffe egnede forsigtighedsforanstaltninger, der beskrives i det følgende.
 - a) **Hold godt fast i el-værktøjet og sørg for at både krop og arme befinder sig i en position, der kan klare tilbageslagskræfterne.** Anvend altid ekstrahåndtaget, hvis et sådant findes, for at have så meget kontrol som muligt over tilbageslagskræfterne eller reaktionsmomenterne, når maskinen kører op i hastighed. Betjeningspersonen kan beherske tilbageslags- og reaktionskræfterne med egnede forsigtighedsforanstaltninger.
 - b) **Sørg for at din hånd aldrig kommer i nærheden af de roterende indsatsværktøjer.** Indsatsværktøjet kan bevæge sig hen over din hånd i forbindelse med et tilbageslag.
 - c) **Undgå at din krop befinder sig i det område, hvor el-værktøjet bevæger sig i forbindelse med et tilbageslag.** Tilbageslaget driver el-værktøjet i modsat retning af slibeskivens bevægelse på blokeringsstedet.
 - d) **Arbejd særlig forsigtig i områder som f.eks. hjørner, skarpe kanter osv. Forhindre at indsatsværktøjer slår tilbage fra emnet og sætter sig fast.** Det roterende indsatsværktøj har tendens til at sætte sig fast, når det anvendes i hjørner, skarpe kanter eller hvis det springer tilbage. Dette medfører, at man taber kontrollen eller til tilbageslag.
 - e) **Brug ikke kædesavklinger eller tandede savklinger.** Sådant indsatsværktøj fører hyppigt til tilbageslag eller at man taber kontrollen over el-værktøjet.
- 3) SPECIFIKKE ADVARSELSHENVISNINGER TIL SLIBNING OG SLIBE-SKÆREARBEJDE**
- a) **Brug udelukkende slibeskiver/slibestifter, der er godkendt til dit el-værktøj, og den beskyttelsesskærm, der er beregnet til disse slibeskiver/slibestifter.** Slibeskiver/slibestifter, der ikke er beregnet til el-værktøjet, kan ikke beskyttes tilstrækkeligt og er usikre.
- b) **Krøppede slibeskiver skal monteres, så deres slibeflade ikke rager ud over niveauret på beskyttelseshættens kant.** En forkert monteret slibeskive, der rager ud over niveauret på beskyttelseshættens kant, kan ikke afskærmees tilstrækkeligt.
- c) **Beskyttelsesskærmen skal være anbragt sikkert på el-værktøjet og være indstillet på en sådan måde, at der nås max. sikkerhed, dvs. at den mindst mulige del af slibeskiven/slibestiften skal pege hen imod betjeningspersonen.** Beskyttelsesskærmen skal beskytte betjeningspersonen mod brudstykker, tilfældig kontakt med slibeskiven/slibestiften og gnister, der kunne antænde tøj.
- d) **Slibeskiver/slibestifter må kun anvendes til de anbefalede formål.** F.eks.: Slib aldrig med sidefladen på en skæreskive. Skæreskiver er bestemt til materiaaleafslibning med kanten på skiven. Udsættes disse slibeskiver/slibestifter for sidevendt kraftpåvirkning, kan de ødelægges.
- e) **Anvend altid ubeskadigede spændeflanger i den rigtige størrelse og form, der passer til den valgte**

slibeskive. Egnede flanger støtter slibeskiven og forringer således faren for brud på slibeskiven. Flanger til skæreskiver kan være forskellige fra flanger for andre slibeskiver.

- f) **Brug ikke slidte slibeskiver, der passer til større el-værktøj.** Slibeskiver til større el-værktøj kan brække, da de ikke er egnet til de højere omdrejningstal, som småt el-værktøj arbejder med.
- 4) **YDERLIGERE SÆRLIGE ADVARSELSHENVISNINGER TIL SKÆREARBEJDE**
- a) **Undgå at skæreskiven blokerer eller får for højt modtryk. Foretag ikke meget dybe snit.** Overbelastes skæreskiven, øges skivens belastning og der er større tendens til, at skiven kan sætte sig i klemme eller blokere, hvilket igen kan føre til tilbageslag eller brud på slibeskiven/slibestiften.
- b) **Undgå området for og bag ved den roterende skæreskive.** Bevæger du skæreskiven i emnet væk fra dig selv, kan el-værktøjets roterende skive slynges direkte ind mod dig i tilfælde af et tilbageslag.
- c) **Sidder skæreskiven i klemme eller afbryder du arbejdet, slukkes el-værktøjet og maskinen holdes roligt, til skiven er stoppet.** Forsøg aldrig at trække skæreskiven ud af snittet, mens den roterer, da dette kan føre til et tilbageslag. Lokalisér og afhjælp fejlen.
- d) **Tænd ikke for el-værktøjet, så længe den befinder sig i emnet. Sørg for at skæreskiven når op på sit fulde omdrejningstal, før du forsigtigt fortsætter snittet.** Ellers kan skiven sætte sig i klemme, springe ud af emnet eller forårsage et tilbageslag.
- e) **Understøt plader eller store emner for at reducere risikoen for et tilbageslag som følge af en fastklemt skæreskive.** Store plader kan bøje sig under deres egen vægt. Emnet skal støttes på begge sider, både i nærheden af skæresnittet og ved kanten.
- f) **Vær særlig forsigtig ved „lommensnit“ i bestående vægge eller andre områder, hvor man ikke har direkte indblik.** Den neddykkende skæreskive kan forårsage et tilbageslag, når der skæres i gas- eller vandledninger, elektriske ledninger eller andre genstande.

EKSTRA SIKKERHEDSANVISNINGER

GENERELT

- Dette værktøj er ikke egnet til vandslibning/skæring
- Anvend kun flangerne, der leveres med dette værktøj
- Dette værktøj må ikke bruges af personer under 16 år
- **Fjern batteriet fra værktøjet, før du foretager justeringer på værktøjet eller udskifter tilbehør**

TILBEHØR

- SKIL kan kun sikre en korrekt funktion af værktøjet, hvis der benyttes originalt tilbehør
- Ved montering/anvendelse af tilbehør, der ikke er fremstillet af SKIL, skal den pågældende producents instruktioner overholdes nøje
- **Anvend kun slibe/skæreskiver med en maksimal tykkelse på 6 mm og en huldiameter for spindlen på 22 mm**
- Anvend aldrig reduktionsmuffer eller adaptere for at få slibe/skæreskiver med større huller til at passe
- Brug aldrig tilbehør med et "blindt" gevindhul, der er mindre end M14 x 21 mm

- Slibe-/skæreskiver skal altid behandles og opbevares omhyggeligt for at undgå, at de revner eller bliver beskadiget

INDEN BRUG

- Inden værktøjet anvendes første gang, anbefales det, at man modtager praktisk undervisning
- Monter altid støttegrebet E ② og beskyttelsesskærmen F ②; anvend aldrig værktøjet uden disse dele
- **Anvend egnede søgeinstrumenter til at finde frem til skjulte forsyningsledninger eller kontakt det lokale forsyningselskab** (kontakt med elektriske ledninger kan føre til brand og elektrisk stød; beskadigelse af en gasledning kan føre til eksplosion; brud på et vandror kan føre til materiel skade eller elektrisk stød)
- **Bearbejd ikke asbestholdigt materiale** (asbest er kræftfremkaldende)
- Støv fra materiale som f.eks. maling, der indeholder bly, nogle træsorter, mineraler og metal kan være skadeligt (kontakt med eller indånding af støvet kan forårsage allergiske reaktioner og/eller sygdomme i luftvejene hos den, der anvender værktøjet, eller hos omkringstående); **bær en støvmaske og arbejd med en støvsugningsanordning, hvor en sådan kan sluttes til**
- Visse slags støv er klassificeret som kræftfremkaldende (som f.eks. støv fra eg og bog) især i forbindelse med tilsætningsstoffer til træbehandling; **bær en støvmaske og arbejd med en støvsugningsanordning, hvor en sådan kan sluttes til**
- Følg de nationale krav, hvad angår støv, for de materialer, du ønsker at arbejde med
- Vær forsigtig, når der skæres furer, især i bærende mure (furer i bærende mure er underkastet landsspecifikke regler; disse regler skal altid overholdes; så før man begynder arbejdet)
- **Fastgør emnet** (det er sikrere at holde emner i en fastgøringsanordning eller skruestik end med hånden)
- Spænd ikke værktøjet fast i en skruestik

UNDER BRUG

- I tilfælde af elektrisk eller mekanisk fejlfunktion skal der straks slukkes for værktøjet og batteriet tages ud
- I tilfælde af, at batteribeskyttelsen afbrydes, eller hvis batteriet fjernes, genstarter værktøjet ikke af sig selv. For at kunne genstarte værktøjet skal værktøjets tænd-/slukknapp låses op, og der skal tændes for værktøjet igen ①

EFTER BRUG

- Efter at man har slukket for værktøjet, må man aldrig standse tilbehørets rotation ved at påføre en sidelæns kraft mod det

BATTERIERNE

- **Det medfølgende batteri er delvist opladet** (for at sikre fuld kapacitet af batteriet skal det oplades helt i batteriopladeren, inden du anvender dit elværktøj første gang)
- **Anvend kun de følgende batterier og batteriopladere, der leveres med dette værktøj**
 - SKIL-batteri: BR1*31****
 - SKIL-oplader: CR1*31****
- Brug ikke batterier, hvis det er beskadiget. Det skal udskiftes
- Adskil ikke batteriet
- Udsæt ikke værktøjet/batteriet for regn
- Tilladt omgivelsestemperatur (værktøj/oplader/batteri):
 - ved opladning 4...40°C

- ved drift -20...+50°C
- ved opbevaring -20...+50°C

FORKLARING TIL SYMBOLERNE PÅ VÆRKTØJET/ BATTERI

- ③ Læs instruktionen inden brugen
- ④ Brug beskyttelsesbriller og høreværn
- ⑤ Batterier vil eksplodere, hvis de kommer i ild, så forsøg aldrig at brænde batteriet
- ⑥ Opbevar værktøj/opladeren/batteriet i et lokale, hvor temperaturen ikke overstiger 50°C
- ⑦ Elværktøj og batterier må ikke bortskaffes som almindeligt affald

BETJENING

- Opladning af batteriet
 - ! læs sikkerhedsadvarslerne og -anvisningerne, der følger med opladeren
- Afmontering/montering af batteriet ②
- Indikator for batteritilstand ⑧
 - tryk på indikatorknappen for batteriniveau L for at se batteriets aktuelle status ⑧a
 - ! batteriet er fladt, hvis den nederste statusindikator begynder at blinke, efter at der er blevet trykket på L ⑧b
 - ! hvis 2 niveauer for batteriindikatoren begynder at blinke, efter at der er blevet trykket på knappen L ⑧c, er batteriet ikke i det temperaturområde, hvor betjening er tilladt
- Batteribeskyttelse
 - Værktøjet slukker med det samme eller forhindrer at blive startet, hvis
 - belastningen er for stor --> fjern belastning og genstart
 - batteritemperaturen ikke er inden for det tilladte driftstemperaturområde fra -20 til + 50° C --> 2 niveauer for batteriindikatoren begynder at blinke, efter at der er blevet trykket på knappen L ⑧c; vent, indtil batteriet er vendt tilbage til det tilladte driftstemperaturområde
 - batteriet er næsten tomt (for at beskytte mod dyb afladning) --> et lavt batteriniveau eller et lavt batteriniveau, hvor indikatoren blinker ⑧b vises af batteriindikatoren, hvis der trykkes på knappen L; oplad batteri
 - ! undlad at betjene kontakten, efter at der er slukket for værktøjet, da det kan beskadige batteriet
- Montering af tilbehør ②
 - ! fjern batteriet fra værktøjet
 - rengør spindlen A og alle de dele, der skal monteres
 - stram spændeflanger B med nøglen C, mens der trykkes på spindellåseknappen D
 - ! tryk kun på spindellåseknappen D, når spindlen A ikke bevæger sig
 - ved afmontering af tilbehørgreb og omvendt
 - ! slibe/skæreskiver bliver meget varme unde brug; rør ikke ved dem, før de er kølet af
 - ! anvend aldrig en slibe/skæreskive uden mærkaten, som er limet fast på den (hvis et sådant findes)
- Montering af støttegrebet E ⑨
 - ! fjern batteriet fra værktøjet
 - skru støttegrebet E på højre, øverste eller venstre side af værktøjet (afhængig af det arbejde, der skal udføres)

- Afmontering/montering/indstilling af beskyttelsesskærmen F ⑩
 - ! fjern batteriet fra værktøjet
 - ! sørg for at den lukkede side af beskyttelsesskærmen altid vender mod brugeren
 - hvis det er nødvendigt, fastgør beskyttelsesskærmen F ved at spænde skruen G - er forudindstillet fra fabrikken (kontrolør, at beskyttelsesskærmen er lukket)
- Før ibrugtagning af værktøjet
 - vær sikker, at tilbehøret er rigtigt monteret og sidder godt fast
 - check at tilbehøret løber frit ved at dreje det rundt med hånden
 - test værktøjet i min. 60 sekunder på nøjeste omdrejningstal i en sikker position
 - ved anselig vibration eller andre defekter, stop straks værktøjet og check værktøjet for at finde den mulige årsag hertil
- On/off låseafbryder J ⑪
 - tænd værktøjet ⑪a
 - ! vær opmærksom på det pludselige ryk når værktøjet startes
 - ! lad værktøjet køre på fuld kraft for tilbehøret berører arbejdsemnet
 - lås afbryderen ⑪b
 - udløs afbryderen/sluk værktøjet ⑪c
 - ! før der slukkes for værktøjet, skal det løftes op fra arbejdsemnet
 - ! tilbehøret fortsætter med at dreje rundt få sekunder efter at værktøjet er slukket
- Slibning ⑫
 - før værktøjet frem og tilbage med moderat tryk
 - ! anvend aldrig en skæreskive til sidelæns slibning
- Skæring ⑬
 - hold aldrig værktøjet skråt ved skæring
 - bevæg altid værktøjet i samme retning som pilen på værktøjshovedet for at undgå at værktøjet skubbes ud af udskæringen på en ukontrolleret måde
 - påfør ikke tryk på værktøjet; lad skæreskivens hastighed gøre arbejdet
 - skæreskivens arbejds-hastighed afhænger af det materiale, der skal skæres
 - brems ikke skæreskiver ved at bruge sidelæns tryk
- Håndtering og styring af værktøjet
 - man skal altid holde godt fast i værktøjet med begge hænder, så man har fuldt herredømme over værktøjet på alle tidspunkter
 - ! under arbejde, hold altid om værktøjet på de grå markerede grebsområde(r) ⑭
 - man skal stille sig sådan, at man står godt og sikkert
 - man skal være opmærksom på rotationsretningen; man skal altid holde værktøjet således, at gnister og slibe/skærestøv flyver væk fra kroppen
 - hold ventilationshullerne K ② utildækkede
- Montering/afmontering af nøgle C ⑮
 - kun relevant hvis værktøjet er udført med ekstra greb med integreret opbevaring til nøgle

GODE RÅD

- Se yderligere oplysninger på www.skil.com

VEDLIGEHOLDELSE/SERVICE

- Dette værktøj er ikke beregnet til professionelt brug
- Hold altid værktøjet rent (især ventilationshuller K ^②)
! tag batteriet ud af værktøjet inden rengøring
- Skulle elværktøjet trods omhyggelig fabrikation og kontrol skulle holde op med at fungere, skal reparasjonen utføres af et autoriseret serviceværksted for SKIL-elektroværktøj
 - send det **ikke adskilte** værktøj sammen med et købsbevis til forhandleren eller nærmeste SKIL-serviceværksted (adresser og reservedelstegning af værktøjet findes på www.skil.com)
- Husk, at beskadigelse som følge af overbelastning eller forkert håndtering af værktøjet ikke er omfattet af garantien (se www.skil.com vedrørende SKIL-garantibetingelserne, eller spørge din forhandler)

MILJØ

- **Elværktøj, batterier, tilbehør og emballage må ikke bortskaffes som almindeligt affald** (kun for EU-lande)
 - i henhold til det europæiske direktiv 2012/19/EF om bortskaffelse af elektriske og elektroniske produkter og gældende national lovgivning, skal brugt elværktøj indsamles separat og bortskaffes på en måde, der skåner miljøet mest muligt
 - symbolet ^⑦ erindrings dig om dette, når udskriftning er nødvendig
- **! beskyt batteri terminaler med bredt tape for at undgå kortslutning**

STØJ / VIBRATION

- **3920**
Målt i henhold til EN 60745 er lydtryksniveaueet for dette værktøj 80,5 dB(A) og lydeffektniveaueet 91,5 dB(A) (usikkerhed K = 3 dB), og vibrationen ved slibning af overflader 5,5 m/s² (triax vector sum; usikkerhed K = 1.5 m/s²)
! andre applikationer (som f.eks. skæring) kan have anderledes vibrations værdier
- **3921**
Målt i henhold til EN 60745 er lydtryksniveaueet for dette værktøj 80,0 dB(A) og lydeffektniveaueet 91,0 dB(A) (usikkerhed K = 3 dB), og vibrationen ved slibning af overflader 4,3 m/s² (triax vector sum; usikkerhed K = 1.5 m/s²)
! andre applikationer (som f.eks. skæring) kan have anderledes vibrations værdier
- Vibrationsniveaueet er målt i henhold til den standardiserede test som anført i EN 60745. Det kan benyttes til at sammenligne to stykker værktøj og som en foreløbig bedømmelse af udsættelsen for vibrationer, når værktøjet anvendes til de nævnte form
 - anvendes værktøjet til andre formål eller med andet eller dårligt vedligeholdt tilbehør, kan dette **øge** udsættelsesniveaueet betydeligt
 - de tidsrum, hvor værktøjet er slukket, eller hvor det kører uden reelt at udføre noget arbejde, kan **reducere** udsættelsesniveaueet betydeligt
- **! beskyt dig selv imod virkningerne af vibrationer ved at vedligeholde værktøjet og dets tilbehør, ved at holde dine hænder varme og ved at organisere dine arbejdsmonstre**

N

Batteridrevet vinkelsliper 3920/3921

INTRODUKSJON

- Dette verktøyet er beregnet for **lett** sliping, kapping og avsliping av støpe-grad på metall og steinmaterialer uten bruk av vann
- Dette verktøyet er ikke beregnet på profesjonell bruk
- **Legg ikke press på verktøyet; la hastigheten på kappeskiven gjøre arbeidet**
- **Kutteoperasjoner med slipende kappskiver er kun tillatt ved bruk av verne deksel (fås som valgfritt SKIL-tilbehør 2610S00253 (3920) / 2610S00275 (3921))**
- Les og ta vare på denne brukerveiledningen ^③

TEKNISKE DATA ^①

VERKTØYELEMENTER ^②

- A Spindel
- B Klemflens
- C Skrunøkkel
- D Spindellåseknapp
- E Støttehåndtak
- F Sikkerhetsdeksel
- G Sikkerhetsdekselskrue
- H Monteringsflens
- J Av/på låsebryter
- K Ventilasjonsåpninger
- L Batterinivåindikator
- M Spak for sikkerhetsdeksel

SIKKERHET

GENERELLE ADVARSLER FOR ELEKTROVERKTØY

⚠ ADVARSEL Les alle sikkerhetsadvarsler, instruksjoner, illustrasjoner og spesifikasjoner som følger med dette elektroverktøyet. Hvis du unnlater å følge noen av instruksjonene som er listet opp ovenfor, kan det føre til elektrisk støt, brann og/eller alvorlige personskader.

Ta godt vare på alle advarslene og informasjonene.

Det nedenstående anvendte uttrykk "elektroverktøy" gjelder for strøm-drevne (med ledning) og batteridrevne elektroverktøy (uten ledning).

1) SIKKERHET PÅ ARBEIDSPlassen

- a) **Hold arbeidsområdet rent og ryddig.** Rotete arbeidsområder eller arbeidsområder uten lys kan føre til ulykker.
- b) **Ikke arbeid med elektroverktøyet i eksplosjonsfarlige atmosfærer – der det befinner seg brennbare væsker, gass eller støv.** Elektroverktøyet lager gnister som kan antenne støv eller damper.
- c) **Hold barn og andre personer unna når elektroverktøyet brukes.** Hvis du blir forstyrret under arbeidet, kan du miste kontrollen over elektroverktøyet.

2) ELEKTRISK SIKKERHET

- a) **Støpselet til elektroverktøyet må passe inn i stikkkontakten. Støpselet må ikke forandres på noen som helst måte. Ikke bruk adapterstøpsler sammen med jordede maskiner.** Bruk av støpsler som ikke er forandret på og passende stikkontakter reduserer risikoen for elektriske støt.
- b) **Unngå kroppskontakt med jordede overflater slik som rør, ovner, komfyrer og kjøleskap.** Det er større fare ved elektriske støt hvis kroppen din er jordet.
- c) **Hold elektroverktøyet unna regn eller fuktighet.** Dersom det kommer vann i et elektroverktøy, øker risikoen for elektriske støt.
- d) **Ikke bruk ledningen til andre formål, f.eks. til å bære elektroverktøyet, henge den opp eller trekke den ut av stikkkontakten. Hold ledningen unna varme, olje, skarpe kanter eller maskindeler som beveger seg.** Med skadede eller opphopede ledninger øker risikoen for elektriske støt.
- e) **Når du arbeider utendørs med et elektroverktøy, må du kun bruke en skjøteledning som er godkjent til utendørs bruk.** Når du bruker en skjøteledning som er egnet for utendørs bruk, reduseres risikoen for elektriske støt.
- f) **Hvis det ikke kan unngås å bruke elektroverktøyet i fuktige omgivelser, må du bruke en jordfeilbryter.** Bruk av en jordfeilbryter reduserer risikoen for elektriske støt.

3) PERSONSIKKERHET

- a) **Vær oppmerksom, pass på hva du gjør, gå fornuftig frem når du arbeider med et elektroverktøy. Ikke bruk elektroverktøyet når du er trett eller er påvirket av narkotika, alkohol eller medikamenter.** Et øyeblikks uoppmerksomhet ved bruk av elektroverktøyet kan føre til alvorlige skader.
- b) **Bruk personlig verneutstyr og husk alltid å bruke vernebriller.** Bruk av personlig sikkerhetsutstyr som støvmaske, skilfaste arbeidssko, hjelm eller hørselvern – er avgjørende for type og bruk av elektroverktøyet – reduserer risikoen for skader.
- c) **Unngå å starte verktøyet ved en feiltagelse. Forviss deg om at elektroverktøyet er slått av før du kobler det til strømmen og/eller batteriet, løfter det opp eller bærer det.** Hvis du holder fingeren på bryteren når du bærer elektroverktøyet eller kobler elektroverktøyet til strømmen i innkoblet tilstand, kan dette føre til uhell.
- d) **Fjern innstillingsverktøy eller skrunøkler før du slår på elektroverktøyet.** Et verktøy eller en nøkkel som befinner seg i en roterende maskindell, kan føre til skader.
- e) **Ikke overvurder deg selv. Sørg for å stå stødig og i balanse.** Dermed kan du kontrollere elektroverktøyet bedre i uventede situasjoner.
- f) **Bruk alltid egnede klær. Ikke bruk vide klær eller smykker. Hold hår og klær unna deler som beveger seg.** Løstsittende tøy, smykker eller langt hår kan komme inn i deler som beveger seg.
- g) **Hvis det kan monteres støvavsug- og oppsamlingsinnretninger, må du forvise deg om at disse er tilkoblet og brukes på korrekt måte.** Bruk av et støvavsug reduserer farer på grunn av støv.
- h) **Selv når du er blitt vant til verktøyet, må du ikke bli sløv og ignorere sikkerhetsreglene for verktøyet.** En uforsiktig handling kan forårsake alvorlig personskade i løpet av et brøkdels sekund.

4) AKTSOM HÅNTERING OG BRUK AV ELEKTROVERKTØY

- a) **Ikke overbelast elektroverktøyet. Bruk et elektroverktøy som er beregnet til den type arbeid du vil utføre.** Med et passende elektroverktøy arbeider du bedre og sikrere i det angitte effektområdet.
 - b) **Ikke bruk elektroverktøy med defekt på-/avbryter.** Et elektroverktøy som ikke lenger kan slås av eller på, er farlig og må repareres.
 - c) **Trekk støpselet ut av stikkkontakten og/eller fjern batteriet (hvis demonterbart) før du utfører innstillinger på elektroverktøyet, skifter tilbehørsdeler eller legger elektroverktøyet bort.** Disse tiltakene forhindrer en utilsiktet startung av elektroverktøyet.
 - d) **Elektroverktøy som ikke er i bruk må oppbevares utilgjengelig for barn. Ikke la elektroverktøyet brukes av personer som ikke er fortlørlig med dette eller ikke har lest disse anvisningene.** Elektroverktøy er farlige når de brukes av uerfarne personer.
 - e) **Vær nøye med vedlikeholdet av elektroverktøyet og tilbehøret. Kontroller om bevegelige maskindeler fungerer feilfritt og ikke klemmes fast, og om deler er brukket eller skadet, slik at dette innvirker på elektroverktøyet funksjon. La skadede deler repareres før elektroverktøyet brukes.** Dårlig vedlikeholdte elektroverktøy er årsaken til mange uhell.
 - f) **Hold skjæreverktøyene skarpe og rene.** Godt stelte skjæreverktøy med skarpe skjær setter seg ikke så ofte fast og er lettere å føre.
 - g) **Bruk elektroverktøy, tilbehør, verktøy osv. i henhold til disse anvisningene. Ta hensyn til arbeidsforholdene og arbeidet som skal utføres.** Bruk av elektroverktøy til andre formål enn det som er angitt kan føre til farlige situasjoner.
 - h) **Hold håndtak og gripeflater tørre, rene og uten olje eller fett.** Glatte håndtak og gripeflater hindrer sikker håndtering og styring av verktøyet i uventede situasjoner.
- ## 5) AKTSOM HÅNTERING OG BRUK AV BATTERIDREVNE VERKTØY
- a) **Lad batteriet kun opp i ladere som er anbefalt av produsenten.** Det oppstår brannfare hvis en lader som er egnet til en bestemt type batterier, brukes med andre batterier.
 - b) **Bruk derfor kun riktig type batterier for elektroverktøyene.** Bruk av andre batterier kan medføre skader og brannfare.
 - c) **Hold batteriet som ikke er i bruk unna binders, mynter, nøkler, spikre, skruer eller andre mindre metallgjenstander, som kan lage en forbindelse mellom kontaktene.** En kortslutning mellom batterikontaktene kan føre til forbrenninger eller brann.
 - d) **Ved gal bruk kan det lekke væske ut av batteriet. Unngå kontakt med denne væsken. Ved tilfeldig kontakt må det skylles med vann. Hvis det kommer væske i øynene, må du i tillegg oppsøke en lege.** Batterivæske som renner ut kan føre til irritasjoner på huden eller forbrenninger.
 - e) **Ikke bruk batterier eller verktøyet hvis det er skadet eller modifisert.** Ødelagte eller modifiserte batterier kan oppføre seg uforutsigbart, noe som kan føre til brann, eksplosjon eller fare for personskade.
 - f) **Ikke utsett batteriet eller verktøyet for åpen ild eller for høye temperaturer.** Eksponering for ild eller

temperaturer over 130 °C kan forårsake eksplosjon.

- g) **Følg alle ladeinstruksjoner, og ikke lad batteriet eller verktøyet utenfor temperaturområdet som er spesifisert i bruksanvisningen.** Feil lading eller lading ved temperaturer utenfor det spesifiserte temperaturområdet, kan skade batteriet og øke brannfaren.
- 6) **SERVICE**
- a) **Maskinen din skal alltid kun repareres av kvalifisert fagpersonale og kun med originale reservedeler.** Slik opprettholdes elektroverktøyet sikkerhet.
- b) **Ikke utfør service på ødelagte batterier.** Service på batterier skal alltid utføres av produsenten eller godkjente forhandlere.

SIKERHETSANVISNINGER FOR VINKELSLIPERE

1) FELLES ADVARSLER OM SLIPING OG KAPPELIPING

- a) **Dette elektroverktøyet skal brukes som sliper og kuttelipser. Følg alle advarsler, anvisninger, bilder og data som du får levert sammen med elektroverktøyet.** Hvis du ikke følger følgende anvisninger, kan det oppstå elektriske støt, ild og/eller store skader.
- b) **Dette elektriske verktøyet bør ikke brukes til sandpussing, stålborsting eller polering.** Hvis verktøyet brukes til operasjoner som det ikke er konstruert for, kan det føre til farlige situasjoner og personskader.
- c) **Ikke bruk tilbehør som ikke er spesielt beregnet og anbefalt av produsenten for dette elektroverktøyet.** Selv om du kan feste tilbehøret på elektroverktøyet ditt, garanterer dette ingen sikker bruk.
- d) **Det godkjente turtallet til innsatsverktøyet må være minst like høyt som det maksimale turtallet som er angitt på elektroverktøyet.** Tilbehør som dreies hurtigere enn godkjent, kan ødelegges.
- e) **Utvendig diameter og tykkelse på innsatsverktøyet må tilsvare målene for elektroverktøyet.** Gale innsatsverktøy kan ikke sikres eller kontrolleres tilstrekkelig.
- f) **Innsatsverktøy med gjengeinnsats må passe nøyaktig på slipespindelens gjenger. Ved innsatsverktøy som monteres ved hjelp av en flens må hulldiameteren til innsatsverktøyet passe til festediameteren til flensen.** Innsatsverktøy som ikke kan festes nøyaktig på elektroverktøyet, roterer uregelmessig, vibrerer svært sterkt og kan føre til at du mister kontrollen.
- g) **Ikke bruk skadede innsatsverktøy. Sjekk før hver bruk om innsatsverktøy slik som slipeskiver er splintret eller revnet, om slipetallerkener er revnet eller svært slitt, om stålborster har løse eller har brukkede tråder.** Hvis elektroverktøyet eller innsatsverktøyet faller ned, må du kontrollere om det er skadet eller bruk et ikke skadet innsatsverktøy. Når du har kontrollert og satt inn innsatsverktøyet, må du holde personer som oppholder seg i nærheten unna det roterende innsatsverktøyet og la elektroverktøyet gå i ett minutt med maksimalt turtall. Som regel brykker skadede innsatsverktøy i løpet av denne testtiden.
- h) **Bruk personlig beskyttelsesutstyr. Avhengig av**

typen bruk må du bruke visir, ansiktsvern eller vernebriller. Om nødvendig må du bruke støvmaske, hørselvern, vernehansker eller spesialforkle som holder små slipe- og materialpartikler unna kroppen din. Øynene bør beskyttes mot fremmedlegemer som kan fly rundt ved visse typer bruk. Støv- eller pustevernmasker må filtrere den typen støv som oppstår ved denne bruken. Hvis du er utsatt for sterk støv over lengre tid, kan du miste hørselen.

- i) **Pass på at andre personer holder tilstrekkelig avstand til arbeidsområdet ditt. Alle som går inn i arbeidsområdet må bruke personlig verneutstyr.** Brukne deler til verktøyet eller brukne innsatsverktøy kan slynges ut og derfor også forårsake skader utenfor det direkte arbeidsområdet.
- j) **Hold elektroverktøyet kun i de isolerte håndtakene når du utfører en operasjon der verktøyet kan komme i kontakt med skjulte ledninger.** Metalldelene på kutteverktøy som kommer i berøring med strømførende ledninger, kan bli strømførende og gi brukeren elektrisk støt.
- k) **Hold strømledningen unna roterende innsatsverktøy.** Hvis du mister kontrollen over elektroverktøyet kan strømledningen kappes eller komme inn i verktøyet, og hånden eller armen din kan komme inn i det roterende innsatsverktøyet.
- l) **Legg aldri elektroverktøyet ned før innsatsverktøyet er stanset helt.** Det roterende innsatsverktøyet kan komme i kontakt med overflaten der maskinen legges ned, slik at du kan miste kontrollen over elektroverktøyet.
- m) **La aldri elektroverktøyet være innkoblet mens du bærer det.** Tøyet ditt kan komme inn i det roterende innsatsverktøyet hvis det tilfeldigvis kommer i kontakt med verktøyet og innsatsverktøyet kan da bore seg inn i kroppen din.
- n) **Rengjør ventilasjonsåpningene til elektroverktøyet med jevne mellomrom.** Motorviften trekker støv inn i hurtig, og en stor oppsamling av metallstøv kan medføre elektrisk fare.
- o) **Ikke bruk elektroverktøyet i nærheten av brennbare materialer.** Gnister kan antenne disse materialene.
- p) **Bruk ikke innsatsverktøy som krever flytende kjølemidler.** Bruk av vann eller andre flytende kjølemidler kan føre til elektriske støt.
- 2) **TILBAKESLAG OG TILSVARENDE ADVARSLER**
- **Tilbakeslag er innsatsverktøyet plutselige reaksjon etter at det har hengt seg opp eller blokkerer.** Dette kan gjelde slipeskiven, slipetallerkenen, stålborsten osv.. Opphenging eller blokkering fører til at det roterende innsatsverktøyet stanser helt plutselig. Slik akselerer et ukontrollert elektroverktøy i motsatt retning av innsatsverktøyet dreieretning på blokkeringsstedet.
 - Hvis f.eks. en slipeskive henger seg opp eller blokkerer i arbeidsstykket, kan kanten på slipeskiven som dykker inn i arbeidsstykket, henge seg opp og slik brykker slipeskiven eller forårsaker et tilbakeslag. Slipeskiven beveger seg da mot eller bort fra brukeren, avhengig av skivens dreieretning på blokkeringsstedet. Slipeskiver kan da også brykke.
 - Et tilbakeslag er resultat av en gal eller feilaktig bruk av elektroverktøyet. Det kan unngås ved å følge egnede sikkerhetstiltak som beskrevet nedenstående.
- a) **Hold elektroverktøyet godt fast og plasser kroppen og armene dine i en stilling som kan ta imot tilbakeslagskrefter. Bruk alltid ekstrahåndtak**

- hvis dette finnes – for å ha størst mulig kontroll over tilbakeslagskrefter eller reaksjonsmomenter ved oppkjøring. Brukeren kan beherske tilbakeslags- og reaksjonsmomenter med egnede tiltak.
- b) **Hold aldri hånden i nærheten av det roterende innsatsverktøyet.** Innsatsverktøyet kan bevege seg over hånden din ved tilbakeslag.
- c) **Unngå at kroppen din befinner seg i området der elektroverktøyet vil bevege seg ved et tilbakeslag.** Tilbakeslaget driver elektroverktøyet i motsatt retning av slipeskivens dreieretning på blokkeringsstedet.
- d) **Vær spesielt forsiktig i hjørner, på skarpe kanter osv. Du må forhindre at innsatsverktøy avpelles fra arbeidsstykket eller klemmes fast.** Det roterende innsatsverktøy har en tendens til å klemmes fast i hjørner, på skarpe kanter eller hvis det avpelles. Dette forårsaker kontrolltap eller tilbakeslag.
- e) **Bruk ikke kjedesagblad eller tannet sagblad.** Slike innsatsverktøy fører ofte til tilbakeslag eller til at man mister kontrollen over elektroverktøyet.

3) SIKKERHETSADVARSLER SPESIFIKKE FOR SLIPING OG SLIPING/KUTTING

- a) **Bruk kun slipeskiver som er godkjent for dette elektroverktøyet og et vernedekselet som er konstruert for denne typen slipeskive.** Slipeskiver som ikke ble konstruert for dette elektroverktøyet, kan ikke beskyttes tilsvarende og er ikke sikre.
- b) **Slipeskiver med forsenket senter/nav må monteres slik at slipeflaten ikke rager ut over planet til vernedekselets kant.** En feilmontert slipeskive som rager ut over vernedekselets kant kan ikke skjermes tilstrekkelig.
- c) **Vernedekselet må monteres sikkert på elektroverktøyet og innstilles slik at det oppnås så stor sikkerhet som mulig, dvs. den minste delen på slipeskiven skal peke åpent mot brukeren.** Vernedekselet skal beskytte brukeren mot avbrukne deler, tilfeldig kontakt med slipeskiven og gnist som kan antenne klær.
- d) **Slipeskiver må kun brukes til anbefalt type bruk, f.eks.:** Ikke slip med sideflaten til en kappeskive. Kappeskiver er beregnet til materialfjerning med kanten på skiven. Innvirkning av krefter fra siden kan føre til at slipeskivene brekker.
- e) **Bruk alltid uskadede spennflenser i riktig størrelse og form for den slipeskiven du har valgt.** Egnede flenser støtter slipeskiven og reduserer slik faren for at slipeskiven brekker. Flenser for kappeskiver kan være annerledes enn flenser for andre slipeskiver.
- f) **Ikke bruk slitte slipeskiver fra større elektroverktøy.** Slipeskiver for større elektroverktøy er ikke beregnet til de høyere turtall på mindre elektroverktøy og kan brekke.

4) YTTERLIGERE SPESIELLE ADVARSLER FOR KAPPESLIPING

- a) **Unngå blokkering av kappeskiven eller for sterk trykk. Ikke utfør for dype snitt.** En overbelastning av kappeskiven øker slitasjen og tendensen til fastkiling eller blokkering og dermed også muligheten til tilbakeslag eller brudd på slipeskiven.
- b) **Unngå området foran og bak den roterende kappeskiven.** Hvis kappeskiven beveger seg bort fra deg i arbeidsstykket, kan elektroverktøyet med den roterende skiven ved tilbakeslag slynges direkte mot kroppen din.

- c) **Hvis kappeskiven blokkerer eller du avbryter arbeidet, slår du av elektroverktøyet og holder det rolig til skiven er stanset helt. Forsøk aldri å trekke den roterende kappeskiven ut av snittet, ellers kan det oppstå et tilbakeslag.** Finn og fjern årsaken til blokkeringen.
- d) **Ikke start elektroverktøyet igjen så lenge det befinner seg i arbeidsstykket. La kappeskiven oppnå det maksimale turtallet før du fortsetter forsiktig med snittet.** Ellers kan skiven henge seg opp, springe ut av arbeidsstykket eller forårsake tilbakeslag.
- e) **Støtt plater eller store arbeidsstykker for å redusere risikoen for tilbakeslag fra en fastklemt kappeskive.** Store arbeidsstykker kan bøyes av sin egen vekt. Arbeidsstykket må støttes på begge sider, både nær kappesnittet og på kanten.
- f) **Vær spesielt forsiktig ved inndykkingssnitt i vegger eller andre uoversiktlige områder.** Den inntrengende kappeskiven kan treffe på gass- eller vannledninger, elektriske ledninger eller gjenstander som kan forårsake tilbakeslag.

EKSTRA SIKKERHETSANVISNINGER

GENERELL

- Dette verktøyet er ikke beregnet for vannsliping og -kapping
- Bruk kun flensene som følger med verktøyet
- Verktøyet må ikke brukes av personer under 16 år
- **Fjern batteriet fra verktøyet før du foretar noen justeringer eller endrer tilbehør**

TILBEHØR

- SKIL kan kun garantere et feilfritt verktøy dersom originaltilbehør brukes
- For montering og bruk av ikke-originalt SKIL tilbehør, henvises det til brukerveiledning fra aktuell produsent
- **Bruk kun slipe-/kappeskiver med en maksimal tykkelse på 6 mm og et spindelhull med en diameter av 22 mm**
- Bruk aldri reduksjoner eller adaptere for å montere slipe-/kappeskiver med større hull diameter
- Bruk aldri tilbehør med et "blindt" gjenget sentrumshull mindre enn M14 x 21 mm
- Slipe-/kappeskiver må behandles med forsiktighet for å unngå flising eller sprekker

FØR BRUK

- Før verktøyet tas i bruk første gangen, må brukeren innhente praktisk informasjon
- Monter alltid sidehåndtaket E ② og sikkerhetsdekselet F ②; verktøyet må ikke brukes uten at disse delene er montert
- **Bruk egnede detektorer til å finne skjulte strøm-/gass-/vannledninger, eller spør hos det lokale el-/gass-/vannverket** (kontakt med elektriske ledninger kan medføre brann og elektrisk støt; skader på en gassledning kan føre til eksplosjon; inntrengning i en vannledning forårsaker materielle skader og kan medføre elektriske støt)
- **Ikke bearbeid asbestholdig material** (asbest kan fremkalle kreft)
- Støv fra materialer som blyholdig maling, visse tresorter, mineraler og metall kan være skadelig (kontakt med eller inhalering av støv kan gi allergiske reaksjoner og/eller sykdommer i åndedretsorganene for brukeren eller personer i nærheten); **bruk støvmaske og arbeid med støvfjerningsutstyr når det er mulig**

- Visse typer støv er klassifisert som kreftfremkallende (som f.eks. støv fra eik og bøk), spesielt sammen med tilsetningsstoffer for trebehandling; **bruk støvmaske og arbeid med støvfjerningsutstyr når det er mulig**
- Følg de nasjonale krav, når det gjelder støv for de materialer du ønsker å arbeide med
- Vær forsiktig under skjæring av furer, spesielt i støttevegger (åpninger i støttevegger er underlagt lokale bestemmelser; nasjonale bestemmelser må følges til enhver tid)
- **Sett fast arbeidsstykket** (et arbeidsstykke som er sikret med klemmer, sitter sikrere enn om det holdes fast for hånd)
- Verktøyet må ikke spennes fast i en skrustikke

UNDER BRUK

- Hvis det skulle oppstå en elektrisk eller mekanisk svikt, må du umiddelbart slå av verktøyet og ta ut batteriet
- Hvis batterivernet skulle slå ut eller når batteriet er tatt ut, vil ikke verktøyet starte av seg selv; når du skal starte verktøyet igjen, må du låse opp av/på-bryteren og slå på verktøyet ⑪

ETTER BRUK

- Etter at verktøyet er slått av, prøv aldri å stoppe tilbehørets rotasjonen med bruk av sideveis kraft

BATTERIENE

- **Batteriet leveres delvis ladet** (for å få batteriets fulle kapasitet, lad batteriet helt opp ved bruk av batteriladeren før verktøyet tas i bruk for første gang)
- **Bare bruk følgende batterier og ladere med dette verktøyet**
 - SKIL-batteri: BR1*31****
 - SKIL-lader: CR1*31****
- Bruk ikke batteriet når det er skadet; det må byttes ut umiddelbart
- Ikke demonter batteriet
- Ikke utsett verktøyet/batteriet for regn
- Tillatt omgivelsestemperatur (verktøy/lader/batteri):
 - ved lading 4...40 °C
 - ved drift -20...+50 °C
 - ved lagring -20...+50 °C

FORKLARING AV SYMBOLER PÅ VERKTØY/BATTERI

- ③ Les instruksjonsboken for bruk
- ④ Bruk beskyttelsesbriller og hørselsvern
- ⑤ Batterier vil eksplodere hvis de blir brent, derfor må man aldri brenne batteriene
- ⑥ Oppbevar verktøy/lader/batteriet på et sted der temperaturen ikke overstiger 50 °C
- ⑦ Kast aldri elektroverktøy og batterier i husholdningsavfallet

BRUK

- Batteriladning
 - ! les sikkerhetsadvarslene og instruksene levert med laderen
- Fjerne/installere batteriet ②
- Indikator for batteristatus ⑧
 - trykk inn indikatorknappen for batteriladning L for å se innværende batteriladningen ⑨a
 - ! hvis indikatoren for batteriladning begynner å blinke etter du har trykket på knappen L ⑧b, er batteriet tomt
 - ! hvis 2 indikatoren for batteriladning begynner å blinke etter du har trykket på knappen L ⑨c, er batteriet ikke innenfor tillatt driftstemperaturområdet

- Batterivern
 - Verktøyet blir plutselig slått av eller blir forhindret fra å startes når
 - **belastningen er for høy** --> fjern belastningen og start på nytt
 - **batteriets temperatur ikke er innenfor tillatt driftstemperaturområdet som er -20 til 50°C** --> 2 indikatoren for batteriladning begynner å blinke etter du har trykket på knappen L ⑨c; vent til batteriet er innenfor det tillatte driftstemperaturområdet
 - **batteriet er nesten tomt (for å beskytte mot full utlading)** --> et lavt batterinivå eller et blinkende lavt batteri nivå ⑧b vises ved at indikatoren for batteriladning begynner å blinke etter du har trykket på knappen L; lad batteriet
 - ! ikke fortsatt å skru verktøyet av og på etter at det er slått av automatisk; dette kan skade batteriet
- Montering av tilbehør ②
 - ! fjern batteriet fra verktøyet
 - foreta rengjøring av spindel A og alle delene som skal monteres
 - skru fast klemflens B med skrunøkkel C samtidig som spindellås D skyves
 - ! spindellås D skal bare skyves når spindel A er stillestående
 - demontering av tilbehør skjer i motsatt rekkefølge
 - ! slipe-/kappeskiver blir ekstra varme under bruk; rør ikke skivene før de har avkjølt
 - ! det må aldri brukes slipe-/kappeskiver som ikke har klebemerket (hvis det finnes)
- Montering av sidehåndtak E ③
 - ! fjern batteriet fra verktøyet
 - skru sidehåndtaket E på høyre side, toppen eller på venstre side av verktøyet (avhengig av hvilket arbeid som skal utføres)
- Fjerning/montering/justering av sikkerhetsdeksel F ⑩
 - ! fjern batteriet fra verktøyet
 - ! forsikre deg om at lukket side på sikkerhetsdekselet vender mot operatøren
 - hvis det er nødvendig, fest sikkerhetsdeksel F ved å stramme skive G som er forhåndsinnstilt fra fabrikk (forviss deg om at sikkerhetsdekselet er lukket)
- Før bruk
 - vær sikker på at tilbehør er korrekt montert og festet skikkelig
 - sjekk om tilbehøret roterer fritt ved å snurre den ved hånd
 - test verktøyet i minimum 60 sekunder på høyeste hastighet i en sikker stilling uten å berøre arbeidsstykket
 - stopp øyeblikkelig dersom verktøyet vibrerer unormalt mye eller andre problemer oppstår, og sjekk verktøyet nøye
- Av/på låsebryter J ⑪
 - slå på verktøyet ⑪a
 - ! et plutselig rykk er vanlig når verktøyet starter
 - ! før tilbehøret kommer i kontakt med arbeidsstykket, må verktøyet ha nådd max. hastighet
 - lås bryteren ⑪b
 - frigjør bryteren/slå av verktøyet ⑪c
 - ! før verktøyet slås av, løft det bort fra arbeidsstykket
 - ! tilbehøret fortsetter å rotere i en kort periode etter at verktøyet er slått av

- Sliping ⑫
 - beveg verktøyet frem og tilbake med moderat trykk
 - ! **bruk aldri en kappeskive for sideveis sliping**
- Kapping ⑬
 - verktøyet må ikke holdes i skråstilling under kappe-operasjonen
 - verktøyet må alltid bevegese i samme retning som pilen på verktøyet for å unngå at verktøyet skyves ut av sporet ukontrollert
 - legg ikke press på verktøyet; la hastigheten på kappeskiven gjøre arbeidet
 - arbeidshastigheten på kappeskiven avhenger av materialet som skal kappes
 - kappeskivene vil gå i stykker dersom de utsettes for sideveis press
- Grep og styring av verktøyet
 - hold verktøyet godt fast med begge hender slik at du alltid har full kontroll over verktøyet
 - ! **under arbeid, hold verktøyet alltid i grått (gråe) grepsområde(r)** ⑭
 - sørg for at verktøyet holdes stødig
 - vær oppmerksom på rotasjonsretningen; verktøyet skal alltid holdes slik at gnister og støv under sliping og kapping flyr bort fra operatøren
 - hold ventilasjonsåpningen K ② utildekket
- Skiftenøkkel til montering/fjerning C ⑮
 - gjelder bare hvis verktøyet er utstyrt med ekstrahåndtak med innebygget oppbevaringsplass til skiftenøkkel

BRUKER TIPS

- Se www.skil.com for mer informasjon

VEDLIKEHOLD / SERVICE

- Dette verktøyet er ikke beregnet på profesjonell bruk
- Verktøyet skal alltid holdes rent (gjelder spesielt for ventilasjonssporene K ②)
 - ! **ta batteriet ut av verktøyet før rengjøring**
- Hvis elektroverktøyet til tross for omhyggelige produksjons- og kontrollmetoder en gang skulle svikte, må reparasjonen utføres av et autorisert serviceverksted for SKIL-elektroverktøy
 - send verktøyet i **montert** tilstand sammen med kjøpebevis til forhandleren eller nærmeste SKIL servicesenter (adresser liksom service diagram av verktøyet finner du på www.skil.com)
- Vær klar over at skade som skyldes overbelastning eller feilbehandling av verktøyet ikke dekkes av garantien (for SKIL garantibetingelser se www.skil.com eller spør din forhandler)

MILJØ

- **Kast aldri elektroverktøy, batterier, tilbehør og emballasje i husholdningsavfallet** (kun for EU-land)
 - i henhold til EU-direktiv 2012/19/EF om kasserte elektriske og elektroniske produkter og direktivets iverksetting i nasjonal rett, må elektroverktøy som ikke lenger skal brukes, samles separat og returneres til et miljøvennlig gjenvinningsanlegg
 - symbolet ⑦ er påtrykt som en påminnelse når utskiftning er nødvendig
 - ! **før batteriene kastes, tape over polene med tykk tape for å unngå kortslutning**

STØY / VIBRASJON

- **3920**
 - Målt i samsvar med EN 60745, lydtrykksnivået til dette verktøyet er 80,5 dB(A) og lydeffektnivået er 91,5 dB(A) (usikkerhet K = 3 dB) og vibrasjonen ved overflatesliping er 5,5 m/s² (triaks vektorsum usikkerhet K = 1,5 m/s²)
 - ! **ved andre applikasjoner (som kapping) kan vibrasjonsverdiene variere**
- **3921**
 - Målt i samsvar med EN 60745, lydtrykksnivået til dette verktøyet er 80,0 dB(A) og lydeffektnivået er 91,0 dB(A) (usikkerhet K = 3 dB) og vibrasjonen ved overflatesliping er 4,3 m/s² (triaks vektorsum usikkerhet K = 1,5 m/s²)
 - ! **ved andre applikasjoner (som kapping) kan vibrasjonsverdiene variere**
- Vibrasjonsnivået er målt i samsvar med en standardisert test som er angitt i EN 60745; den kan brukes til å sammenligne et verktøy med et annet, og som et foreløpig overslag over eksponering for vibrasjoner ved bruk av verktøyet til de oppgavene som er nevnt
 - bruk av verktøyet til andre oppgaver, eller med annet eller mangelfullt vedlikeholdt utstyr, kan gi en vesentlig **økning** av eksponeringsnivået
 - tidsrommene når verktøyet er avslått eller når det går men ikke arbeider, kan gi en vesentlig **reduksjon** av eksponeringsnivået
- ! **beskytt deg selv mot virkningene av vibrasjoner ved å vedlikeholde verktøyet og utstyret, holde hendene varme og organisere arbeidsmåten din**

FIN

Akkukäyttöinen kulmahiomakone

3920/3921

ESITTELY

- Koneet on tarkoitettu käytettäväksi metallin ja kivimateriaalien **kevyeen** hiomista, leikkaamista ja puseenpoistamista varten ilman veden käyttämistä
- Tätä työkalua ei ole tarkoitettu ammattikäyttöön
- **Älä kohdistaa työkaluun painetta; anna jyrshintälevyn nopeuden tehdä työ**
- **Katkaisulaikoilla leikkaaminen on sallittu ainoastaan käytettäessä katkaisusuojaa (saatavissa SKIL-lisävarusteena 2610S00253 (3920) / 2610S00275 (3921))**
- Lue ja säilytä tämä ohjekirja ③

TEKNISET TIEDOT ①

LAITTEEN OSAT ②

- A Kara
- B Kiristyslaippa
- C Ruuviavain
- D Karanlukituspainike
- E Apukahva
- F Suojus
- G Suojus ruuvi
- H Kiinnityslaippa
- J On/off lukituskytkin
- K Ilmanvaihto-aukot

- L Akun lataustilan merkivalo
M Suojusruuvivipu

TURVALLISUUS

YLEISET SÄHKÖTÖYKALUJEN TURVALLISUUTEEN LIITTYVÄT VAROITUKSET

VAROITUS: Perekdy kaikkiin tämän sähkötykalun mukana toimitettuihin varoituksiin, ohjeisiin, kuviin ja tekniisiin tietoihin. Jos kaikkia alla olevia ohjeita ei noudateta, seurauksena voi olla sähköisku, tulipalo ja/tai vakava loukkaantuminen.

Säilytä kaikki turvallisuus- ja muut ohjeet tulevaisuutta varten.

Turvallisuusohjeissa käytetty käsite "sähkötykalu" käsittää verkkokäyttöisiä sähkötykaluja (verkkojohdolla) ja akkukäyttöisiä sähkötykaluja (ilman verkkojohtoa).

1) TYÖPAIKAN TURVALLISUUS

- Pidä työskentelyalue puhtaana ja hyvin valaistuna.** Työpaikan epäjärjestys tai valaisemattomat työalueet voivat johtaa tapaturmiin.
- Älä työskentele sähkötykalulla räjähdysalttiissa ympäristössä, jossa on palavaa nestettä, kaasua tai pölyä.** Sähkötykalu muodostaa kipinöitä, jotka saattavat sytyttää pölyn tai höyryt.
- Pidä lapset ja sivulliset loitolla sähkötykalua käyttäessäsi.** Voit menettää laitteesi hallinnan, huomiosi suuntautuessa muualle.

2) SÄHKÖTURVALLISUUS

- Sähkötykalun pistotulpan tulee sopia pistorasiaan.** Pistotulppaa ei saa muuttaa millään tavalla. Älä käytä mitään pistorasia-adaptoreita maadoitettujen sähkötykalujen kanssa. Alkuperäisessä kunnossa olevat pistotulpat ja sopivat pistorasiat vähentävät sähköiskun vaaraa.
- Vältä koskettelasta maadoitettuja pintoja, kuten putkia, pattereita, liesiä tai jääkaappeja.** Sähköiskun vaara kasvaa, jos kehosi on maadoitettu.
- Älä aseta sähkötykalua alttiiksi sateelle tai kosteudelle.** Veden tunkeutuminen sähkötykalun sisään kasvattaa sähköiskun riskiä.
- Älä käytä verkkojohtoa väärin. Älä käytä sitä sähkötykalun kantamiseen, vetämiseen tai pistotulpan irrottamiseen pistorasiasta.** Pidä johto loitolla kuumuudesta, öljyistä, terävistä reunoista ja liikkuvista osista. Vahingoittuneet tai sokeutuneet johdot kasvattavat sähköiskun vaaraa.
- Käyttäessäsi sähkötykalua ulkona, käytä ainoastaan ulko käyttöön soveltuvaa jatkojohtoa.** Ulkokäyttöön soveltuvan jatkojohdon käyttö pienentää sähköiskun vaaraa.
- Jos sähkötykalun käyttö kosteassa ympäristössä ei ole vältettävissä, tulee käyttää maavuotokatkaisijaa.** Maavuotokatkaisijan käyttö vähentää sähköiskun vaaraa.

3) HENKILÖTURVALLISUUS

- Ole valpas, kiinnitä huomiota työskentelyysi ja noudata tervettä järkeä sähkötykalua käyttäessäsi.** Älä käytä sähkötykalua, jos olet väsynyt tai huumeiden, alkoholiin tahi lääkkeiden

vaikutuksen alaisena. Hetken tarkkaamattomuus sähkötykalua käytettäessä, saattaa johtaa vakavaan loukkaantumiseen.

- Käytä suojavarusteita. Käytä aina suojalaseja.** Henkilökohtaisen suojavarustuksen käyttö, kuten pölynaamarin, luistamattomien turvakenkien, suojakypärän tai kuulonsuojaimien, riippuen sähkötykalun lajista ja käyttötavasta, vähentää loukkaantumisriskiä.
 - Vältä tahatonta käynnistämistä. Varmista, että sähkötykalu on poiskytkettyä, ennen kuin liität sen sähköverkkoon ja/tai liität akun, otat sen käteen tai kannat sitä.** Jos kannat sähkötykalua sormi käynnistyskytkimellä tai kytket sähkötykalun pistotulpan pistorasiaan, käynnistyskytkimen ollessa käyntiasennossa, altistat itsesi onnettomuuksille.
 - Poista kaikki säätötykalut ja ruuvitalat, ennen kuin käynnistät sähkötykalun.** Työkalu tai avain, joka sijaitsee laitteen pyörivässä osassa, saattaa johtaa loukkaantumiseen.
 - Älä ylläriivoi itseäsi. Huolehdi aina tukevasta seisoma-asennosta ja tasapainosta.** Täten voit paremmin hallita sähkötykalua odottamattomissa tilanteissa.
 - Käytä tarkoitukseen soveltuvia vaatteita. Älä käytä löysiä työvaatteita tai koruja. Pidä hiukset ja vaatteet poissa liikkuvien osien ulottuvilta.** Väljät vaatteet, korut ja pitkät hiukset voivat takertua liikkuviin osiin.
 - Jos pölynimu- ja keräilylaitteita voidaan asentaa, tulee sinun tarkistaa, että ne on liitetty ja että ne käytetään oikealla tavalla.** Pölynimulaitteiston käyttö vähentää pölyn aiheuttamia vaaroja.
 - Työskentele keskittyneesti ja noudata aina turvallisuusmääräyksiä.** Hetkellinenkin huolimattomuus voi aiheuttaa vakavia vammoja.
- #### 4) SÄHKÖTÖYKALUJEN KÄYTTÖ JA HOITO
- Älä ylikuormita laitetta. Käytä kypseeseen työhön tarkoitettua sähkötykalua.** Sopivaa sähkötykalua käyttäen työskentelet paremmin ja varmemmin tehoalueella, jolle sähkötykalu on tarkoitettu.
 - Älä käytä sähkötykalua, jota ei voida käynnistää ja pysäyttää käynnistyskytkimestä.** Sähkötykalu, jota ei enää voida käynnistää ja pysäyttää käynnistyskytkimellä, on vaarallinen ja se täytyy korjata.
 - Irrota pistotulppa pistorasiasta ja/tai irrota akku (jos irrotettava) sähkötykalusta, ennen kuin suoritat säätöjä, vaihdat tarvikkeita tai viet sähkötykalun varastoon.** Nämä turvatoimenpiteet pienentävät sähkötykalun tahattoman käynnistysriskin.
 - Säilytä sähkötykalut poissa lasten ulottuvilta, kun niitä ei käytetä. Älä anna sellaisten henkilöiden käyttää sähkötykalua, jotka eivät tunne sitä tai jotka eivät ole lukeneet tätä käyttöohjetta.** Sähkötykalut ovat vaarallisia, jos niitä käyttävät kokemattomat henkilöt.
 - Pidä sähkötykalut ja tarvikkeet hyvässä kunnossa.** Tarkista, että liikkuvat osat toimivat moitteettomasti, eivätkä ole puristuksessa sekä, että siinä ei ole murtuneita tai vahingoittuneita osia, jotka saattaisivat vaikuttaa haitallisesti sähkötykalun toimintaan. Anna korjauttaa mahdolliset viat ennen käyttöönottoa. Monen tapaturman syyt löytyvät huonosti huolletuista laitteista.

- f) **Pidä leikkausterät terävinä ja puhtaina.** Huolellisesti hoidetut leikkaustyökalut, joiden leikkausreunat ovat teräviä, eivät tartu helposti kiinni ja niitä on helpompi hallita.
- g) **Käytä sähkötyökaluja, tarvikkeita, vaihtotyökaluja jne. näiden ohjeiden mukaisesti. Ota tällöin huomioon työolosuhteet ja suoritettava toimenpide.** Sähkötyökalun käyttö muuhun kuin sille määrättyyn käyttöön, saattaa johtaa vaarallisiin tilanteisiin.
- h) **Pidä kahvat ja kädensijat kuivina ja puhtaina (öljytöminä ja rasvattomina).** Jos kahvat ja kädensijat ovat liukkaita, et pysty ylläpitävissä tilanteissa ohjaamaan ja hallitsemaan työkalua turvallisesti.

5) AKKUKÄYTTÖISTEN SÄHKÖTYÖKALUJEN KÄYTTÖ JA HOITO

- a) **Lataa akku vain valmistajan määräämässä latauslaitteessa.** Latauslaite, joka soveltuu määrätyn tyyppiselle akulle, saattaa muodostaa tulipalovaaran erilaista akkua ladattaessa.
- b) **Käytä sähkötyökalussa ainoastaan kyseiseen sähkötyökaluun tarkoitettua akkua.** Jonkun muun akun käyttö saattaa johtaa loukkaantumiseen ja tulipaloon.
- c) **Pidä irtallista akkua loitolla metalliesineistä, kuten paperinliittimistä, kolikoista, avaimista, nauloista, ruuveista tai muista pienistä metalliesineistä, jotka voivat oikosulkea akun koskettimet.** Akkukoskettimien välinen oikosulku saattaa aiheuttaa palovammoja tai johtaa tulipaloon.
- d) **Väärästä käytöstä johtuen saattaa akusta vuotaa nestettä, jota ei tule koskettaa. Jos nestettä vahingossa joutuu iholle, huuhtelee kosketuskohta vedellä. Jos nestettä pääsee silmiin, tarvitaan tämän lisäksi lääkärin apua.** Akusta vuotava neste saattaa aiheuttaa ärsytystä ja palovammoja.
- e) **Älä käytä akkua tai työkalua, joka on vioittunut tai johon on tehty muutoksia.** Jos akut ovat vioittuneet tai niihin on tehty muutoksia, ne voivat toimia ennalta arvaamattomasti ja aiheuttaa tulipalon, räjähdyksen tai loukkaantumisvaaran.
- f) **Älä altista akkua tai työkalua tulelle tai äärimmäisille lämpötiloille.** Tullelle tai yli 130°C asteen lämpötilalle altistaminen saattaa aiheuttaa räjähdyksen.
- g) **Noudata latausohjeita ja lataa akku tai työkalu ohjeenmukaisen lämpötila-alueen rajoissa.** Lataaminen virheellisesti tai ohjeiden vastaisessa lämpötilassa saattaa vaurioittaa akkua ja lisätä palovaaraa.
- 6) HUOLTO
- a) **Anna koulutettujen ammattihenkilöiden korjata sähkötyökalusi ja hyväksy korjauksiin vain alkuperäisiä varaosia.** Täten varmistat, että sähkötyökalu säilyi turvallisena.
- b) **Älä missään tapauksessa yritä itse korjata vaurioituneita akkua.** Akkua saa korjata vain valmistaja tai valtuutettu huoltopiste.

KULMAHIOMAKONEIDEN TURVALLISUUSOHJEET

- 1) **YHTEISET VARO-OHJEET HIOMISTA JA HIOVIA KATKAISUTOIMINTOJA VARTEN**
- a) **Tätä sähkötyökalua tulee käyttää hiomakoneena ja katkaisuhiomakoneena. Ota huomioon kaikki**

- varo-ohjeet, ohjeet, piirustukset ja tiedot, joita saat sähkötyökalun kanssa.** Ellet noudata seuraavia ohjeita, saattaa se johtaa sähköiskuun, tulipaloon ja/tai vaikeisiin loukkaantumisiin.
- b) **Tätä sähkötyökalua ei suositella hiekkapaperihiontaan, teräsharjaukseen tai kiillotukseen.** Käyttötavat, joihin sähkötyökalua ei ole suunniteltu, voivat aiheuttaa vaaratilanteen ja johtaa loukkaantumiseen.
- c) **Älä käytä mitään lisälaitteita, joita ei valmistaja ole tarkoittanut tai suositellut nimenomaan tälle sähkötyökalulle.** Vain se, että pystyt kiinnittämään lisätarvikkeen sähkötyökaluusi ei takaa sen turvallista käyttöä.
- d) **Vaihtotyökalun sallitun kierrosluvun tulee olla vähintään yhtä suuri kuin sähkötyökalussa mainittu suurin kierrosluku.** Lisätarvike, joka pyörii sallittua suuremmalla nopeudella, saattaa tuhoutua.
- e) **Vaihtotyökalun ulkohalkaisijan ja paksuuden tulee vastata sähkötyökalun mittatietoja.** Väärin mitoitettuja vaihtotyökaluja ei voida suojata tai hallita riittävästi.
- f) **Hiomalaikkojen ja laippojen tulee sopia tarkasti sähkötyökalusi hiomakaraan.** Käytettäessä vaihtotyökaluja, jotka liitetään laippaan, tulee vaihtotyökalun reiän halkaisijan sopia laipan kiinnityshalkaisijaan. Vaihtotyökalut, joita ei kiinnitetä oikein sähkötyökaluun, pyörivät epätasaisesti, tärisevät voimakkaasti ja saattavat johtaa hallinnan menettämiseen.
- g) **Älä käytä vaurioituneita vaihtotyökaluja.** Tarkista ennen jokaista käyttöä, ettei vaihtotyökalussa, kuten hiomalaikoissa, ole pirstoutumia tai halkeamia, hiomalautasessa halkeamia tai voimakasta kulumista, teräsharjassa irtonaisia tai katkenneita lankoja. Jos sähkötyökalu tai vaihtotyökalu putoaa, tulee tarkistaa, että se on kunnossa, tai sitten käyttää ehjää vaihtotyökalua. Kun olet tarkistanut ja asentanut vaihtotyökalun, pidä itsesi ja lähitöillä olevat henkilöt poissa pyörivän vaihtotyökalun tasosta ja anna sähkötyökalun käydä minuutti täydellä kierrosluvulla. Vaurioituneet vaihtotyökalut menevät yleensä rikki tässä ajassa.
- h) **Käytä henkilökohtaisia suojarusteita.** Käytä käytössä riippuen kokosvonaamiota, silmäsuojusta tai suojalaseja. Jos mahdollista, käytä pölynaamaria, kuulonsuojainta, suojakäsineitä tai erikoissuojavaatetta, joka suojaa sinut pieniltä hioma- ja materiaalihiukkasilta. Silmät tulee suojata lenteleviltä vierailta esineiltä, jotka saattavat syntyä eri käytössä. Pöly- tai hengityssuojanaamareiden täytyy suodattaa pois työstössä syntyvä pöly. Jos olet pitkään alttiina voimakkaalle melulle, saattaa se vaikuttaa heikentävästi kuuloon.
- i) **Varmistat, että muut henkilöt pysyvät turvallisella etäisyydellä työalueeltasi.** Jokaisella, joka tulee työalueelle, tulee olla henkilökohtaiset suojarusteet. Työkappaleen tai murtuneen vaihtotyökalun osia saattavat sinkoutua kauemmas ja vahingoittaa ihmisiä myös varsinainen työalueen ulkopuolella.
- j) **Tartu sähkötyökaluun ainoastaan eristetyistä pinnoista tehdessäsi työtä, jossa vaihtotyökalu saattaisi osua piilossa olevaan sähköjohtoon.**

- Vaihtotyökalun kosketus jännitteisiin johtoon voi saattaa sähkötyökalun metalliosat jännitteisiksi ja johtaa sähköiskuun.
- k) **Pidä sähköjohto poissa pyörivistä vaihtotyökaluista.** Jos menetät sähkötyökalun hallinnan, saattaa verkkojohto tulla katkaistuksi tai tarttua kiinni ja vetää kätesi tai käsivartesi kiinni pyörivään vaihtotyökaluun.
- l) **Älä aseta sähkötyökalua pois, ennen kuin vaihtotyökalu on pysähtynyt kokonaan.** Pyörivä vaihtotyökalu saattaa koskettaa lepopintaa ja voit menettää sähkötyökalusi hallinnan.
- m) **Älä koskaan pidä sähkötyökalua käynnissä sitä kantaessasi.** Vaatteesi voi hetkellisen kosketuksen seurauksena tarttua kiinni pyörivään vaihtotyökaluun, joka saattaa porautua kehoosi.
- n) **Puhdista sähkötyökalusi tuuletusaukkoja säännöllisesti.** Moottorin tuuletin imee pölyä työkalun koteloon, ja voimakas metallipölyn kasautuma voi synnyttää sähköisiä vaaratilanteita.
- o) **Älä käytä sähkötyökalua palavien aineiden lähellä.** Kipinät voivat syyttää näitä aineita.
- p) **Älä käytä vaihtotyökaluja, jotka tarvitsevat nestemäistä jäähdytysainetta.** Veden tai muiden nestemäisten jäähdytysaineiden käyttö saattaa johtaa sähköiskuun.
- 2) **TAKAISKU JA VASTAAVAT VARO-OHJEET**
- Takaisku on äkillinen reaktio, joka syntyy pyörivän vaihtotyökalun, kuten hiomalaikan, hiomalautasen tai teräsharjan tarttuessa kiinni tai jäädessä puristukseen. Tarttuminen tai puristukseen joutuminen johtaa pyörivän vaihtotyökalun äkilliseen pysähtymykseen. Tällöin hallitsematon sähkötyökalu sinkoutuu tarttumakohdasta vaihtotyökalun kiertosuunnasta vastakkaiseen suuntaan.
 - Jos esim. hiomalaikka tarttuu tai joutuu puristukseen työkappaleeseen, saattaa hiomalaikan reuna, joka on opponut työkappaleeseen, juuttua kiinni aiheuttaen hiomalaikan ponnahtuksen ulos työkappaleesta tai aiheuttaa takaiskun. Hiomalaikka liikkuu silloin käyttävää henkilöä vasten tai poispäin hänestä, riippuen laikan kiertosuunnasta tarttumakohdassa. Tällöin hiomalaikka voi myös murtua.
 - Takaisku johtuu sähkötyökalun väärinkäytöstä tai käytöstä väärään tarkoitukseen. Se voidaan estää sopivin varotoimin, joita selostetaan seuraavassa.
- a) **Pitele sähkötyökalua tukevasti ja saata kehosi ja käsivartesi asentoon, jossa pystyt vastaamaan takaiskuvuomiin.** Käytä aina lisäkahvaa, jos sinulla on sellainen, jotta pystyisit parhaalla mahdollisella tavalla hallitsemaan takaiskuvuomia tai vastamomenteja työkalun ryntäköynnissä. Käyttävä henkilö pystyy hallitsemaan takaisku ja vastamomenttivoimat noudattamalla sopivia suojatoimenpiteitä.
- b) **Älä koskaan tuo kättäsi lähelle pyörivää vaihtotyökalua.** Vaihtotyökalu saattaa takaiskun sattuessa liikkua kätesi yli.
- c) **Vältä pitämästä kehoasi alueella, johon sähkötyökalu liikkuu takaiskun sattuessa.** Takaisku pakottaa sähkötyökalun vastakkaiseen suuntaan hiomalaikan liikkeeseen nähden tarttumiskohdassa.
- d) **Työskentele erityisen varovasti kulmien, terävien reunojen jne. alueella, estä vaihtotyökalua ponnahtamasta takaisin työkappaleesta ja juuttumasta kiinni.** Pyörivällä vaihtotyökalulla on taipumus juuttua kiinni kulmissa, terävissä reunoissa tai saadessaan kimmokkeen. Tämä johtaa hallinnan pettämiseen tai takaiskuun.
- e) **Älä käytä ketjuteräi tai hammastettuja sahanteriä.** Tällaiset vaihtotyökalut aiheuttavat usein takaiskun tai sähkötyökalun hallinnan menettämisen.
- 3) **ERITYISESTI HIONTAA JA HIOVIA KATKAISUTOIMINTOJA KOSKEVIA VAROITUKSIA**
- a) **Käytä yksinomaan sähkötyökalullesi sallittuja hiomatyökaluja ja näitä hiomatyökaluja varten tarkoitettuja suojuksia.** Hiomatyökaluja, jotka eivät ole tarkoitettuja sähkötyökalun kanssa käytettäväksi, ei voida suojata riittävästi ja ne ovat turvattomia.
- b) **Taivutetut laikat on asennettava niin, että niiden hiomapinta ei ulotu laikkasuojuksen tason ulkopuolelle.** Asiaankuulumattomasti asennettua hiomalaikkaa, joka ulottuu laikkasuojuksen tason ulkopuolelle ei voida suojata riittävästi.
- c) **Suojuksen täytyy olla tukevasti kiinni sähkötyökalusta ja niin asennettu, että suurin mahdollinen turvallisuus saavutetaan.** Hiomatyökalun tulee siis olla mahdollisimman vähän avoin käyttäjää kohti. Suojuksen tulee suojata käyttävää henkilöä murtokappaleilta, tahattomalta hiomatyökalun koskettamiselta ja kipinöiltä, jotka voisivat syyttää vaatteita palamaan.
- d) **Hiomatyökaluja saa käyttää ainoastaan siihen käyttöönsä mihin niitä suositellaan ensin.** Älä koskaan hio hiomalaikan sivupintaa käyttäen. Hiomalaikat on tarkoitettu hiontaan laikan ulkokehällä. Sivuttain kohdistuva voima saattaa murtaa hiomalaikan.
- e) **Käytä aina virheetöntä, oikean kokoista ja muotoista kiinnityslaippaa valitsemallesi hiomalaikalle.** Sopivat laipat tukevat hiomalaikkaa ja vähentävät näin hiomalaikan murtumisriskiä. Katkaisulaikkojen laipat saattavat poiketa muitten hiomalaikkojen laipoista.
- f) **Älä käytä isompiin sähkötyökaluihin kuuluneita, kuluneita hiomalaikoja.** Suurempien sähkötyökalujen hiomalaikat eivät sovellu pienempien sähkötyökalujen suuremmille kierrosluvuille, ja ne voivat murtua.
- 4) **MUITA KATKAISUOHJEITAAN LIITTYVIÄ ERITYISVARO-OHJEITA**
- a) **Vältä katkaisulaikan juuttumista kiinni ja liian suurta syöttöpainetta.** Älä tee liian syviä leikkauksia. Katkaisulaikan ylikuormitus kasvattaa sen rasitusta ja sen alittua kallistua tai juuttua kiinni ja siten takaiskun ja laikan murtumisen mahdollisuutta.
- b) **Vältä aluetta pyörivän katkaisulaikan edessä ja takana.** Jos katkaisulaikka liikkuu työkappaleessa sinusta pois päin, saattaa sähkötyökalu takaiskun sattuessa singota suoraan sinua kohti laikan pyöriessä.
- c) **Jos katkaisulaikka joutuu puristukseen tai keskeytät työn, tulee sinun pysäyttää sähkötyökalu ja pitää se rauhallisesti paikoillaan, kunnes laikka on pysähtynyt.** Älä koskaan koeta poistaa vielä pyörivää katkaisulaikkaa leikkauksesta, se saattaa aiheuttaa takaiskun. Määrittele ja poista puristukseen joutumisen syy.
- d) **Älä käynnistä sähkötyökalua uudelleen, jos laikka on kiinni työkappaleessa.** Anna katkaisulaikan ensin saavuttaa täysi kierroslukunsa, ennen kuin varovasta jatkat leikkausta. Muussa tapauksessa saattaa laikka tarttua kiinni, ponnahtaa ulos työkappaleesta tai aiheuttaa takaiskun.

- e) **Tue litteät tai isot työkappaleet, katkaisulaikan puristuksen aiheuttaman takaiskuvaaran minimoimiseksi.** Suuret työkappaleet voivat taipua oman painonsa takia. Työkappaletta tulee tukea molemmilta puolilta, sekä katkaisuleikkauksen vierestä, että reunoista.
- f) **Ole erityisen varovainen upotusleikkauksissa seiniin tai muihin alueisiin, joiden taustaa tai rakennetta et pysty näkemään.** Upoava katkaisulaikka saattaa aiheuttaa takaiskun osuessaan kaasu- tai vesiputkiin, sähköjohtoihin tai muihin kohteisiin.

LISÄ-TURVALLISUUSOHJEET

YLEISTÄ

- Tämä kone ei ole tarkoitettu vesihiontaan/jyrsintään
- Käytä vain tämä työkalun yhteydessä toimitettuja laippoja
- Tätä työkalua saavat käyttää vain 16 vuotta täyttäneet henkilöt
- Irrota akku työkalusta ennen säätöjen tekemistä tai tarvikeiden vaihtamista**

VARUSTEET

- SKIL pystyy takaamaan työkalun moitteettoman toiminnan vain, kun käytetään alkuperäisiä tarvikkeita
- Muita kuin SKIL-varusteita kiinnitettäessä/käytettäessä noudata kyseisen valmistajan antamia ohjeita
- Käytä ainoastaan hionta/jyrsintälevyjä, joiden maksimipaksuus on 6 mm ja karan reiän läpimitta 22 mm**
- Älä koskaan käytä kavennuskappaleita tai muuntimia suurireikäisiin hionta/ jyrsintälevyihin soveltamiseksi
- Älä koskaan käytä varusteita, joiden "sokea" kierteytysreikä on pienempi kuin M14 x 21 mm
- Käsittele hionta-/jyrsintälevyjä varoen ja säilytä ne huolellisesti lohkeilemisen ja murtumisen välttämiseksi

ENNEN KÄYTTÖÄ

- Ennen työkalun käyttöä ensimmäistä kertaa on suositeltavaa tutustua käytännön toimia koskevaan informaatioon
- Kiinnitä aina apukahva E ② ja suojuus F ②; älä koskaan käytä työkalua ilman näitä
- Käytä sopivia etsintälaiteita pilossa olevien syöttöjohtojen paikallistamiseksi, tai käänny paikallisen jakeluyltiön puoleen** (kosketus sähköjohtoon saattaa johtaa tulipaloon ja sähköiskuun; kaasuputken vahingoittaminen saattaa johtaa räjähdykseen; vesijohtoon tunkeutuminen aiheuttaa aineellista vahinkoa tai saattaa johtaa sähköiskuun)
- Älä koskaan työstä asbestipitoista ainetta** (asbestia pidetään karsinogeenisena)
- Materiaaleista, kuten lyijypitoinen maali, jotkut puulajit, mineraalit ja metalli, tuleva pöly voi olla vahingollista (kosketuksiin joutuminen pölyn kanssa tai sen sisään hengittäminen voi aiheuttaa käyttäjälle tai sivustakatsojille allergiareaktioita ja/tai hengitysvaivoja); **käytä pölynaamarია ja työskentele pölynpoistolaitteen kanssa, kun sellainen on liitettävissä**
- Tietänyttyypiset pölyt on luokiteltu karsinogeenisiksi (kuten tammii- ja pyökkipöly) erityisesti puun käsittelyyn käytettävien lisäaineiden yhteydessä; **käytä pölynaamarია ja työskentele pölynpoistolaitteen kanssa, kun sellainen on liitettävissä**
- Noudata maakohtaisia pölyyn liittyviä sääntöjä
- Noudata varovaisuutta tunneleita, varsinkin tukiseinämiä, jyrjittäessä (tukiseinämissä olevat lovet ovat kyseisen

maan erityisasetusten alaisia; näitä asetuksia on noudatettava kaikissa olosuhteissa)

- Kiinnitä työstettävä kappale** (kiinnittimeen tai puristimeen kiinnitetty työstettävä kappale pysyy tukevammin paikoillaan kuin käsin pidettäessä)
- Älä aseta työkalua ruuvipuristimeen

KÄYTÖN AIKANA

- Jos huomaat sähköisen tai mekaanisen vian, sammuta kone heti ja irrota akku
- Jos akku suojaus katkaisee koneesta virran tai jos akku on irrotettu, kone ei käynnisty uudelleen itsestään; koneen käynnistämiseksi käynnistyskytkimen lukitus on avattava ja kone kytkettävä uudelleen päälle ①

KÄYTÖN JÄLKEEN

- Kun olet kytkenyt työkalun irti, älä koskaan pysäytä varusteen pyörittää siihen kohdistetulla poikittaisella voimalla

AKKU

- Mukana tullut akku on osittain ladattu** (varmistu akun täysi kapasiteetti lataamalla se täyteen akkulaturissa, ennen kuin käytät sähkötyökalua ensimmäistä kertaa)
- Käytä tämän työkalun yhteydessä vain seuraavia akkuja ja latureita**
 - SKIL-akku: BR1*31****
 - SKIL-laturi: CR1*31****
- Älä käytä vahingoittunutta akkua, vaan vaihda se
- Älä pura akkua
- Suojele konettasi/akkua sateelta
- Sallittu ympäristön lämpötila (työkalu/latauslaite/akku):
 - ladattaessa 4...40°C
 - käytössä -20...+50°C
 - varastoinnissa -20...+50°C

TYÖKALUN/AKUN SYMBOLIEN SELITYKSET

- Lue käyttöohjeet ennen käyttöä
- Käytä suojalaseja ja kuulonsuojaimia
- Akut räjähtävät, jos ne hävitetään polttamalla, joten älä missään tapauksessa polta niitä
- Säilytä konettasi/latauslaitetta/akkua paikoissa, joissa lämpötila ei nouse yli 50°C
- Älä hävitä sähkötyökalua ja paristoja tavallisen kotitalousjätteen mukana

KÄYTTÖ

- Akun lataus
 - ! lue laturin mukana toimitetut varoitukset ja ohjeet**
 - Akun poistaminen/asentaminen ②
 - Akun lataustilan merkkivalo ③
 - paina akun varaustilan painiketta L akun senhetkisen varauksen esittämiseksi ④a
 - ! jos varaustilan ilmaisimen alin taso alkaa vilkkua, kun olet painanut painiketta L ④b, akku on tyhjä**
 - ! jos varaustilan ilmaisimen 2 tasoa alkaa vilkkua, kun olet painanut painiketta L ④c, akku ei ole sallitulla käyttölämpötila-alueella**
- Akun suojaus
 - Työkalu kytketty äkillisesti pois päältä tai sen päälle kytkeminen estetään, jos
 - kuormitus on liian suuri** --> poista kuorma ja käynnistä työkalu uudestaan
 - akun lämpötila ei ole sallitulla käyttölämpötila-alueella -20...+50 °C** --> varaustilan ilmaisimen 2 tasoa alkaa vilkkua, kun painat painiketta L ④c - odota kunnes akku on palautunut sallitulle käyttölämpötila-alueelle

- **akku on lähes tyhjä (sen suojaamiseksi syväpurkaukselta)** --> varaustilan ilmaisimessa näkyy matala varaustila tai vilkkuva matala varaustila ⑧b, kun painat painiketta L - lataa akku
- ! **älä paina käynnistyskytkintä sen jälkeen, kun työkalu on kytketty pois päältä automaattisesti; akku voi vahingoittua**
- Tarvikkeita kiinnittäminen ②
 - ! **irrota akku työkalusta**
 - puhdista kara A ja kaikki kiinnitettävät osat
 - tiukena kiristyslaippa B ruuvitaltalla C ja paina samanaikaisesti karan lukituspainiketta D
 - ! **paina karan lukituspainiketta D vain, kun kara A on pysäytetty**
 - tarvikkeita poistettaessa tee se päinvastoin
 - ! **hionta/jyrsintälevyt tulevat hyvin kuumiksi käytön aikana; älä kosketa niitä ennen kuin ne ovat viilentyneet**
 - ! **älä koskaan käytä hionta/jyrsintälevyä ilman siihen liimattua tarraa (jos sinulla on sellainen)**
- Apukahvan E kiinnittäminen ⑨
 - ! **irrota akku työkalusta**
 - ruuvaa apukahva E työkalun oikealle tai vasemmalle puolelle tai yläpuolelle (riippuen suoritettavasti tehtävästä)
- Suojuksen F poistaminen/kiinnittäminen/säätöminen ⑩
 - ! **irrota akku työkalusta**
 - ! **varmista, että suojuksen suljettu puoli on aina osoittamassa käyttäjää kohti**
 - kiinnitä tarvittaessa suojus F kiristämällä ruuvi G, joka on säädetty tehtaalla (varmista, että suojus on suljettu)
- Ennen työkalun käyttöä
 - varmista, että tarvike on asetettu paikoilleen oikein ja kiinnitetty tiukasti
 - tarkista, että tarvike pääsee vapaasti liikkumaan, kääntämällä sitä käsin
 - koekäytä työkalua antamalla sen käydä vähintään 60 sekuntia maksiminopeudella kuormittamattomana
 - jos ilmenee voimakasta värinää tai muita vikoja, työkalu on heti kytkettävä pois päältä ja vian syy selvitettävä
- On/off lukituskytkin J ⑪
 - käynnistä koneesi ⑪a
 - ! **varo käynnistuksen aiheuttamaa äkillistä nykyäisyä**
 - ! **koneen tulee pyöriä täydellä nopeudella ennen kuin tarvike koskettaa työkappaletta**
 - lukitse kytkin ⑪b
 - vapauta kytkin/sammuuta koneesi ⑪c
 - ! **ennen koneen sammuttamista se tulee nostaa irti työkappaleesta**
 - ! **kun työkalu on kytketty pois päältä, tarvikkeen liike jatkuu vielä muutamia sekunteja**
- Hionta ⑫
 - liikuta työkalua edestakaisin kohtuullisen paineen alaisena
 - ! **älä koskaan käytä jyrsintälevyä sivun hiontaan**
- Jyrsintä ⑬
 - älä kallista työkalua jyrsittäessä
 - liikuta työkalua aina samaan suuntaan työkalun pään nuolen mukaisesti niin että estetään työkalun työnnyminen pois jyrsinnästä kontrolloimattomaan tapaan
 - älä kohdistaa työkaluun painetta; anna jyrsintälevyn nopeuden tehdä työ

- jyrsintälevyn työskentelynopeus riippuu jyrsittävästä materiaalista
- älä jarruta jyrsintälevyjä sivulta kohdistuvalla paineella
- Koneen pitäminen ja ohjaaminen
 - pidä työkalusta aina kiinni molemmin käsin niin että pystyt kontrolloimaan työkalua koko ajan
 - ! **pidä työkalusta kiinni aina työskentelyn aikana harmaan värisestä kädensija(o)sta ⑭**
 - varmista tukeva asento
 - kiinnitä huomiota pyörinnän suuntaan; käsittele työkalua aina niin että kipinät ja hionta/jyrsintäpöly lentää pois sinusta
 - pidä ilmanvaihto-aukkoja K ② peittämättöminä
- Ruuviavaimen asentaminen/irrottaminen C ⑮
 - soveltuu vain, jos työkalussa on apukahva, johon on integroitu ruuviavaimen säilytyslokero

VINKKEJÄ

- Lisätietoja on tarjolla web-osoitteessa www.skil.com

HOITO / HUOLTO

- Tätä työkalua ei ole tarkoitettu ammattikäyttöön
- Pidä työkalu puhtaana (varmista erityisesti ilma-aukkojen puhtaus K ②)
- ! **poista akku työkalusta ennen puhdistusta**
- Jos sähkötyökalussa, huolellisesta valmistuksesta ja koestusmenetelystä huolimatta esiintyy vikaa, tulee korjaus antaa SKIL sopimushuollon tehtäväksi
- toimita työkalu sitä osiin **purkamatta** lähimpään SKIL-huoltoon (osoitteet ja työkalun huoltokaava ovat tarjolla web-osoitteessa www.skil.com) ostotodiste mukaan liitettynä
- Ota huomioon, että takuu ei kata työkalun ylikuormituksesta tai vääristä käsittelystä johtuvia vahinkoja (katso SKILin takuuehdot osoitteesta www.skil.com tai kysy jälleenmyyjältä)

YMPÄRISTÖNSUOJELU

- **Älä hävitä sähkötyökalua, paristoja, tarvikkeita tai pakkausta tavallisen kotitalousjätteen mukana** (koskee vain EU-maita)
 - vanhoja sähkö- ja elektroniikkalaitteita koskevan EU-direktiivin 2012/19/ETY ja sen maakohtaisten sovellusten mukaisesti käytetyt sähkötyökalut on toimitettava ongelmajätteen keräyspisteeseen ja ohjattava ympäristöystävälliseen kierrätykseen
 - symboli ⑦ muistuttaa tästä, kun käytöstä poisto tulee ajankohtaiseksi
 - ! **poistaessasi akun käytöstä peitä plus- ja miinusnapa sähköteipillä oikosulun estämiseksi**

MELU / TÄRINÄ

- **3920**
Tämän työkalun standardin EN 60745 mukaisesti mitattu äänenpainotaso on 80,5 dB(A) ja äänenvoimakkuus 91,5 dB(A) (epävarmuus K = 3 dB), ja värinä pintahiontaa käytettäessä 5,5 m/s² (triaxvektorisumma, epävarmuus K = 1.5 m/s²)
- ! **muissa toiminnoissa (kuten katkaisussa) voi syntyä erilaista värinää**
- **3921**
Tämän työkalun standardin EN 60745 mukaisesti mitattu äänenpainotaso on 80,0 dB(A) ja

äänivoimakkuus 91,0 dB(A) (epävarmuus K = 3 dB), ja tärinän pintahiontaa käytettäessä 4,3 m/s² (triax-vektorisumma, epävarmuus K = 1.5 m/s²)

! muissa toiminnoissa (kuten katkaisussa) voi syntyä erilaista tärinää

- Tärinänsäteilytaso on mitattu standardin EN 60745 mukaisen standarditestin mukaisesti; sitä voidaan käyttää verrattaessa yhtä laitetta toiseen sekä alustavana tärinälle altistumisen arviona käytettäessä laitetta muualla käytötarkoituksissa

- laitteen käyttö eri käyttötarkoituksiin tai erilaisten tai huonosti ylläpidettyjen lisälaitteiden kanssa voi **lisätä** merkittävästi altistumistasoa

- laitteen ollessa sammuksissa tai kun se on käynnissä, mutta sillä ei tehdä työtä, altistumistaso voi olla huomattavasti **pienempi**

! suojaudu tärinän vaikutuksilta ylläpitämällä laite ja sen lisävarusteet, pitämällä kädet lämpiminä ja järjestämällä työmenetelmät

E

Amoladora angular sin cable 3920/3921

INTRODUCCIÓN

- Esta herramienta ha sido diseñada para **ligeramente** amolar, tronzar y desbarbar materiales de metal y piedra sin necesidad de utilizar agua
- Esta herramienta no está concebida para uso profesional
- **No presione la herramienta; deje que la velocidad de la muela tronzadora haga el trabajo**
- **Las operaciones de corte con discos de cortar abrasivos solo se puede realizar cuando se utiliza un protector de tronzado (disponible como accesorio SKIL opcional 2610S00253 (3920) / 2610S00275 (3921))**
- Lea y conserve este manual de instrucciones ③

DATOS TÉCNICOS ①

ELEMENTOS DE LA HERRAMIENTA ②

- A Eje
- B Brida de sujeción
- C Llave
- D Botón de bloqueo del eje
- E Empuñadura auxiliar
- F Protector de seguridad
- G Tornillo de protector de seguridad
- H Brida de montaje
- J Interruptor de encendido/apagado de bloqueo
- K Ranuras de ventilación
- L Indicador del nivel de carga de la batería
- M Palanca de protector de seguridad

SEGURIDAD

ADVERTENCIAS DE PELIGRO GENERALES PARA HERRAMIENTAS ELÉCTRICAS

⚠ ADVERTENCIA Lea todas las advertencias de seguridad, instrucciones, ilustraciones y especificaciones entregadas con esta herramienta

eléctrica. El incumplimiento de alguna de las instrucciones que figuran a continuación puede ser causa de descargas eléctricas, incendios o lesiones graves.

Guardar todas las advertencias de peligro e instrucciones para futuras consultas.

El término “herramienta eléctrica” empleado en las siguientes advertencias de peligro se refiere a herramientas eléctricas de conexión a la red (con cable de red) y a herramientas eléctricas accionadas por acumulador (o sea, sin cable de red).

1) SEGURIDAD DEL PUESTO DE TRABAJO

- a) **Mantenga limpia y bien iluminada su área de trabajo.** El desorden o una iluminación deficiente en las áreas de trabajo pueden provocar accidentes.
- b) **No utilice la herramienta eléctrica en un entorno con peligro de explosión, en el que se encuentren combustibles líquidos, gases o material en polvo.** Las herramientas eléctricas producen chispas que pueden llegar a inflamar los materiales en polvo o vapores.
- c) **Mantenga alejados a los niños y otras personas de su área de trabajo al emplear la herramienta eléctrica.** Una distracción le puede hacer perder el control sobre la herramienta.

2) SEGURIDAD ELÉCTRICA

- a) **El enchufe de la herramienta eléctrica debe corresponder a la toma de corriente utilizada. No es admisible modificar el enchufe en forma alguna. No emplear adaptadores en herramientas eléctricas dotadas con una toma de tierra.** Los enchufes sin modificar adecuados a las respectivas tomas de corriente reducen el riesgo de una descarga eléctrica.
- b) **Evite que su cuerpo toque partes conectadas a tierra como tuberías, radiadores, cocinas y refrigeradores.** El riesgo a quedar expuesto a una descarga eléctrica es mayor si su cuerpo tiene contacto con tomas de tierra.
- c) **No exponga las herramientas eléctricas a la lluvia o a condiciones de humedad.** Existe el peligro de recibir una descarga eléctrica si penetran líquidos en la herramienta eléctrica.
- d) **No utilice el cable de red para transportar o colgar la herramienta eléctrica, ni tire de él para sacar el enchufe de la toma de corriente. Mantenga el cable de red alejado del calor, aceite, esquinas cortantes o piezas móviles.** Los cables de red dañados o enredados pueden provocar una descarga eléctrica.
- e) **Al trabajar con la herramienta eléctrica en la intemperie utilice solamente cables de prolongación homologados para su uso en exteriores.** La utilización de un cable de prolongación adecuado para su uso en exteriores reduce el riesgo de una descarga eléctrica.
- f) **Si el funcionamiento de una herramienta eléctrica en un lugar húmedo fuese inevitable, utilice un cortacircuito de fuga a tierra.** El uso de un cortacircuito de fuga a tierra reduce el riesgo de descarga eléctrica.

3) SEGURIDAD DE PERSONAS

- a) **Esté atento y emplee la herramienta eléctrica con prudencia. No utilice la herramienta eléctrica si**

- estuviese cansado, ni bajo los efectos de alcohol, drogas o medicamentos. El no estar atento durante el uso de una herramienta eléctrica puede provocarle serias lesiones.
- b) **Utilice un equipo de protección personal y en todo caso unas gafas de protección.** El riesgo a lesionarse se reduce considerablemente si, dependiendo del tipo y la aplicación de la herramienta eléctrica empleada, se utiliza un equipo de protección adecuado como una mascarilla antipolvo, zapatos de seguridad con suela antideslizante, casco, o protectores auditivos.
 - c) **Evite una puesta en marcha fortuita. Asegurarse de que la herramienta eléctrica esté desconectada antes de conectarla a la toma de corriente y/o al montar el acumulador, al recogerla, y al transportarla.** Si transporta la herramienta eléctrica sujetándola por el interruptor de conexión/desconexión, o si introduce el enchufe en la toma de corriente con la herramienta eléctrica conectada, ello puede dar lugar a un accidente.
 - d) **Retire las herramientas de ajuste o llaves fijas antes de conectar la herramienta eléctrica.** Una herramienta o llave colocada en una pieza rotativa puede producir lesiones graves al accionar la herramienta eléctrica.
 - e) **Sea precavido. Trabaje sobre una base firme y mantenga el equilibrio en todo momento.** Ello le permitirá controlar mejor la herramienta eléctrica en caso de presentarse una situación inesperada.
 - f) **Lleve puesta una vestimenta de trabajo adecuada. No utilice vestimenta amplia ni joyas. Mantenga su pelo y vestimenta alejados de las piezas móviles.** La vestimenta suelta, las joyas y el pelo largo se pueden enganchar con las piezas en movimiento.
 - g) **Siempre que sea posible utilizar equipos de aspiración o captación de polvo, asegúrese que éstos estén montados y que sean utilizados correctamente.** El empleo de estos equipos reduce los riesgos derivados del polvo.
 - h) **No permita que la familiaridad ganada por el uso frecuente de la herramienta eléctrica lo deje creer seguro e ignorar las normas de seguridad.** Una acción negligente puede causar lesiones graves en una fracción de segundo.
- #### 4) CUIDADO Y UTILIZACIÓN DE HERRAMIENTAS ELÉCTRICAS
- a) **No sobrecargue la herramienta eléctrica. Use la herramienta eléctrica prevista para el trabajo a realizar.** Con la herramienta eléctrica adecuada podrá trabajar mejor y con mayor seguridad dentro del margen de potencia indicado.
 - b) **No utilice herramientas eléctricas con un interruptor defectuoso.** Las herramientas eléctricas que no se puedan conectar o desconectar son peligrosas y deben repararse.
 - c) **Saque el enchufe de la red y/o retire el acumulador desmontable de la herramienta eléctrica, antes de realizar un ajuste, cambiar de accesorio o al guardar la herramienta eléctrica.** Esta medida preventiva reduce el riesgo de conectar accidentalmente la herramienta eléctrica.
 - d) **Guarde las herramientas eléctricas fuera del alcance de los niños y de las personas que no estén familiarizadas con su uso.** Las herramientas eléctricas utilizadas por personas inexpertas son peligrosas.
- e) **Cuide la herramienta eléctrica y los accesorios con esmero. Controle si funcionan correctamente, sin atascarse, las partes móviles de la herramienta eléctrica, y si existen partes rotas o deterioradas que pudieran afectar al funcionamiento de la herramienta eléctrica. Si la herramienta eléctrica estuviese defectuosa haga repararla antes de volver a utilizarla.** Muchos de los accidentes se deben a herramientas eléctricas con un mantenimiento deficiente.
 - f) **Mantenga los útiles limpios y afilados.** Los útiles mantenidos correctamente se dejan guiar y controlar mejor.
 - g) **Utilice herramientas eléctricas, accesorios, útiles, etc. de acuerdo con estas instrucciones, teniendo en cuenta las condiciones de trabajo y la tarea a realizar.** El uso de herramientas eléctricas para trabajos diferentes de aquellos para los que han sido concebidas puede resultar peligroso.
 - h) **Mantenga las empuñaduras y las superficies de las empuñaduras secas, limpias y libres de aceite y grasa.** Las empuñaduras y las superficies de las empuñaduras resbaladizas no permiten un manejo y control seguro de la herramienta eléctrica en situaciones imprevistas.
- #### 5) CUIDADO Y UTILIZACIÓN DE HERRAMIENTAS ACCIONADAS POR ACUMULADOR
- a) **Cargue los acumuladores únicamente con los cargadores recomendados por el fabricante.** Existe riesgo de incendio al intentar cargar acumuladores de un tipo diferente al previsto para el cargador.
 - b) **Emplee únicamente los acumuladores previstos para la herramienta eléctrica.** El uso de otro tipo de acumuladores puede provocar daños e incluso un incendio.
 - c) **Si no utiliza el acumulador, guárdelo separado de clips, monedas, llaves, clavos, tornillos o demás objetos metálicos que pudieran puentear sus contactos.** El cortocircuito de los contactos del acumulador puede causar quemaduras o un incendio.
 - d) **La utilización inadecuada del acumulador puede provocar fugas de líquido. Evite el contacto con él. En caso de un contacto accidental enjuagar el área afectada con abundante agua. En caso de un contacto con los ojos recurra además inmediatamente a un médico.** El líquido del acumulador puede irritar la piel o producir quemaduras.
 - e) **No emplee acumuladores o útiles dañados o modificados.** Los acumuladores dañados o modificados pueden comportarse en forma imprevisible y producir un fuego, explosión o peligro de lesión.
 - f) **No exponga un acumulador o una herramienta eléctrica al fuego o a una temperatura demasiado alta.** La exposición al fuego o a temperatura sobre 130°C puede causar una explosión.
 - g) **Siga todas las instrucciones para la carga y no cargue nunca el acumulador o la herramienta eléctrica a una temperatura fuera del margen correspondiente especificado en las instrucciones.** Una carga inadecuada o a temperaturas fuera del margen especificado puede dañar el acumulador y aumentar el riesgo de incendio.
- #### 6) SERVICIO
- a) **Únicamente haga reparar su herramienta eléctrica por un profesional, empleando exclusivamente**

piezas de repuesto originales. Solamente así se mantiene la seguridad de la herramienta eléctrica.

- b) **No repare los acumuladores dañados.** El entretenimiento de los acumuladores sólo debe ser realizado por el fabricante o un servicio técnico autorizado.

INSTRUCCIONES DE SEGURIDAD PARA AMOLADORAS ANGULARES

1) ADVERTENCIAS DE PELIGRO GENERALES AL REALIZAR TRABAJOS DE AMOLADO Y TRONZADO

- a) **Esta herramienta eléctrica ha sido concebida para amolar y tronzar. Observe todas las advertencias de peligro, instrucciones, ilustraciones y especificaciones técnicas que se suministran con la herramienta eléctrica.** En caso de no atenerse a las instrucciones siguientes, ello puede provocar una electrocución, incendio o lesiones serias.
- b) **No se recomienda el uso de esta herramienta eléctrica para operaciones de lijado, para el trabajo con cepillos de alambre o para operaciones de pulido.** Las operaciones para las que no está diseñada la herramienta eléctrica pueden generar riesgos y provocar daños físicos.
- c) **No emplee accesorios diferentes de aquellos que el fabricante haya previsto o recomendado especialmente para esta herramienta eléctrica.** El mero hecho de que un accesorio se pueda acoplar a la herramienta eléctrica no implica que su utilización resulte segura.
- d) **Las revoluciones admisibles del útil deberán ser como mínimo iguales a las revoluciones máximas indicadas en la herramienta eléctrica.** Aquellos accesorios que giren a unas revoluciones mayores a las admisibles pueden llegar a romperse.
- e) **El diámetro exterior y el grosor del útil deberán corresponder con las medidas indicadas para su herramienta eléctrica.** Los útiles de dimensiones incorrectas no pueden protegerse ni controlarse con suficiente seguridad.
- f) **Los útiles de fijación a rosca deberán ajustar exactamente en la rosca del husillo. En los útiles de fijación por brida, su diámetro de encaje deberá ser compatible con el de alojamiento en la brida.** Los útiles que no vayan fijados exactamente sobre la herramienta eléctrica giran descentrados, vibran mucho y pueden hacerle perder el control sobre la herramienta.
- g) **No use útiles dañados. Antes de cada uso, inspeccione el estado de los útiles con el fin de detectar, por ejemplo, si están desportillados o fisurados los útiles de amolar, si está agrietado o muy desgastado el plato lijador, o si las púas de los cepillos de alambre están flojas o rotas. Si se le cae la herramienta eléctrica o el útil, inspeccione si han sufrido algún daño o monte otro útil en correctas condiciones. Una vez controlado y montado el útil sitúense usted y las personas circundantes fuera del plano de rotación del útil y deje funcionar la herramienta eléctrica en vacío, a las revoluciones máximas, durante un minuto.** Por lo general, los útiles que están dañados suelen romperse al realizar esta comprobación.

- h) **Utilice un equipo de protección personal. Dependiendo del trabajo a realizar use una careta, una protección para los ojos, o unas gafas de protección. Dependiendo del trabajo a realizar, emplee una mascarilla antipolvo, protectores auditivos, guantes de protección o un mandil especial adecuado para protegerle de los pequeños fragmentos que pudieran salir proyectados.** Las gafas de protección deberán ser indicadas para protegerle de los fragmentos que pudieran salir despedidos al trabajar. La mascarilla antipolvo o respiratoria deberá ser apta para filtrar las partículas producidas al trabajar. La exposición prolongada al ruido puede provocarle sordera.
- i) **Cuide que las personas en las inmediaciones se mantengan a suficiente distancia de la zona de trabajo. Toda persona que acceda a la zona de trabajo deberá utilizar un equipo de protección personal.** Podrían ser lesionadas, incluso fuera del área de trabajo inmediato, al salir proyectados fragmentos de la pieza de trabajo o del útil.
- j) **Sujete la herramienta eléctrica únicamente por las superficies de agarre aisladas al realizar trabajos en los que el accesorio pueda tocar conductores eléctricos ocultos.** El contacto de un accesorio con conductores bajo tensión puede hacer que las partes metálicas de la herramienta eléctrica pasen a estar en tensión y provoquen una descarga eléctrica.
- k) **Mantenga el cable de red alejado del útil en funcionamiento.** En caso de que usted pierda el control sobre la herramienta eléctrica, puede llegar a cortarse o enredarse el cable de red con el útil y lesionarle la mano o el brazo.
- l) **Jamás deposite la herramienta eléctrica antes de que el útil se haya detenido por completo.** El útil en funcionamiento puede llegar a tocar la base de apoyo y hacerle perder el control sobre la herramienta eléctrica.
- m) **No deje funcionar la herramienta eléctrica mientras la transporta.** El útil en funcionamiento podría lesionarle al engancharse accidentalmente con su vestimenta o pelo.
- n) **Limpie periódicamente las rejillas de refrigeración de su herramienta eléctrica.** El ventilador del motor aspira polvo hacia el interior de la carcasa, y en caso de una acumulación fuerte de polvo metálico, ello le puede provocar una descarga eléctrica.
- o) **No utilice la herramienta eléctrica cerca de materiales combustibles.** Las chispas producidas al trabajar pueden llegar a incendiar estos materiales.
- p) **No emplee útiles que requieran ser refrigerados con líquidos.** La aplicación de agua u otros refrigerantes líquidos puede comportar una descarga eléctrica.
- ### 2) CAUSAS DEL RECHAZO Y ADVERTENCIAS AL RESPECTO
- El rechazo es una reacción brusca que se produce al atascarse o engancharse el útil, como un disco de amolar, plato lijador, cepillo de alambre, etc. Al atascarse o engancharse el útil en funcionamiento, éste es frenado bruscamente. Ello puede hacerle perder el control sobre la herramienta eléctrica y hacer que ésta salga impulsada en dirección opuesta al sentido de giro que tenía el útil.

- En el caso de que, p. ej., un disco amolador se atasque o bloquee en la pieza de trabajo, puede suceder que el canto del útil que penetra en el material se enganche, provocando la rotura del útil o el rechazo del aparato. Según el sentido de giro y la posición del útil en el momento de bloquearse puede que éste resulte despedido hacia, o en sentido opuesto al usuario. En estos casos puede suceder que el útil incluso llegue a romperse.
 - El rechazo es ocasionado por la aplicación o manejo incorrecto de la herramienta eléctrica. Es posible evitarlo ateniéndose a las medidas preventivas que a continuación se detallan.
- a) **Sujete con firmeza la herramienta eléctrica y mantenga el cuerpo y los brazos en una posición propicia para resistir las fuerzas de reacción. Si forma parte del aparato, utilice siempre la empuñadura adicional para poder soportar mejor las fuerzas derivadas del rechazo y los pares de reacción en la puesta en marcha.** El usuario puede controlar la fuerza de rechazo y de reacción si toma unas medidas preventivas oportunas.
 - b) **Jamás aproxime su mano al útil en funcionamiento.** En caso de un rechazo el útil podría lesionarle la mano.
 - c) **No se sitúe dentro del área hacia el que se movería la herramienta eléctrica al ser rechazada.** Al resultar rechazada la herramienta eléctrica, saldrá despedida desde el punto de bloqueo en dirección opuesta al sentido de giro del útil.
 - d) **Tenga especial precaución al trabajar esquinas, cantos afilados, etc. Evite que el útil de amolar rebote contra la pieza de trabajo o que se atasque.** En las esquinas, cantos afilados, o al rebotar, el útil en funcionamiento tiende a atascarse. Ello puede hacerle perder el control o causar un rechazo del útil.
 - e) **No utilice hojas de sierra para madera ni otros útiles dentados.** Estos útiles son propensos al rechazo y pueden hacerle perder el control sobre la herramienta eléctrica.
- 3) **ADVERTENCIAS DE SEGURIDAD ESPECÍFICAS PARA OPERACIONES DE AMOLADO Y DE CORTE POR ABRASIÓN**
 - a) **Use exclusivamente útiles homologados para su herramienta eléctrica en combinación con la caperuza protectora prevista.** Los útiles que no fueron diseñados para esta herramienta eléctrica pueden quedar insuficientemente protegidos y suponen un riesgo.
 - b) **Los discos de amolar con centro deprimido deberán montarse de manera que la cara de amolado no alcance a sobresalir del reborde de la caperuza de protección.** Un disco de amolar incorrectamente montado cuya cara frontal rebasa el reborde de la caperuza de protección no puede ser convenientemente protegido.
 - c) **La caperuza protectora deberá montarse firmemente en la herramienta eléctrica cuidando que quede orientada ofreciendo una seguridad máxima, es decir, cubriendo al máximo la parte del útil a la que queda expuesta el usuario.** La misión de la caperuza protectora es proteger al usuario de fragmentos que puedan desprenderse del útil, contacto accidental con éste y chispas que podrían prender fuego a la ropa.
 - d) **Solamente emplee el útil para aquellos trabajos para los que fue concebido.** Por ejemplo, no emplee las caras de los discos tronzadores para amolar. En los útiles de tronzar el arranque de material se lleva a cabo con los bordes del disco. Si estos útiles son sometidos a un esfuerzo lateral ello puede provocar su rotura.
 - e) **Siempre use para el útil seleccionado una brida en perfecto estado con las dimensiones y forma correctas.** Una brida adecuada soporta convenientemente el útil reduciendo así el peligro de rotura. Las bridas para discos tronzadores pueden ser diferentes de aquellas para los discos de amolar.
 - f) **No intente aprovechar los discos amoladores de otras herramientas eléctricas más grandes aunque su diámetro exterior se haya reducido suficientemente por el desgaste.** Los discos amoladores destinados para herramientas eléctricas grandes no son aptos para soportar las velocidades periféricas más altas a las que trabajan las herramientas eléctricas más pequeñas y pueden llegar a romperse.
- 4) **INSTRUCCIONES DE SEGURIDAD ADICIONALES ESPECÍFICAS PARA EL TRONZADO**
 - a) **Evite que se bloquee el disco tronzador y una presión de aplicación excesiva. No intente realizar cortes demasiado profundos.** Al solicitar en exceso el disco tronzador éste es más propenso a ladearse, bloquearse, a ser rechazado o a romperse.
 - b) **No se coloque delante o detrás del disco tronzador en funcionamiento, alineado con la trayectoria del corte.** Mientras que al cortar, el disco tronzador es guiado en sentido opuesto a su cuerpo, en caso de un rechazo, el disco tronzador y la herramienta eléctrica son impulsados directamente contra usted.
 - c) **Si el disco tronzador se bloquea, o si tuviese que interrumpir su trabajo, desconecte la herramienta eléctrica y manténgala en esa posición, sin moverla, hasta que el disco tronzador se haya detenido por completo. Jamás intente sacar el disco tronzador en marcha de la ranura de corte, ya que ello podría provocar un rechazo.** Investigue y subsane la causa del bloqueo.
 - d) **No intente proseguir el corte con el disco tronzador insertado en la ranura de corte. Una vez fuera, conecte la herramienta eléctrica y espere a que el disco tronzador haya alcanzado las revoluciones máximas y aproxímelo entonces con cautela a la ranura de corte.** En caso contrario el disco tronzador podría bloquearse, salirse de la ranura de corte, o resultar rechazado.
 - e) **Soporte las planchas u otras piezas de trabajo grandes para reducir el riesgo de bloqueo o rechazo del disco tronzador.** Las piezas de trabajo extensas tienden a combarse por su propio peso. La pieza de trabajo deberá apoyarse desde abajo a ambos lados tanto cerca de la línea de corte como a sus extremos.
 - f) **Proceda con especial cautela al realizar recortes "por inmersión" en paredes o superficies similares.** El disco tronzador puede ser rechazado al tocar tuberías de gas o agua, conductores eléctricos, u otros objetos.

INSTRUCCIONES DE SEGURIDAD ADICIONALES

GENERAL

- Esta herramienta no es adecuada para amolar/tronzar con agua
- Utilice únicamente las bridas que se entregan con esta herramienta
- Esta herramienta no debe utilizarse por personas menores de 16 años
- **Extraiga la batería de la herramienta antes de realizar cualquier ajuste o cambiar los accesorios**

ACCESORIOS

- SKIL únicamente puede garantizar un funcionamiento correcto de la herramienta al emplear accesorios originales
- Cuando monte/utilice accesorios distintos de la marca SKIL, respete las instrucciones del fabricante
- **Utilice únicamente discos de amolar/tronzar con un grosor máximo de 6 mm y un diámetro del orificio para el eje de 22 mm**
- Nunca utilice reductores o adaptadores para ajustar agujeros más grandes que los discos de amolar/tronzar
- Nunca utilice accesorios con un agujero "ciego" roscado inferior a M14 x 21 mm
- Maneje y guarde los discos de amolar/tronzar con cuidado para evitar que se astillen o rompan

ANTES DEL USO

- Antes de utilizar la herramienta por primera vez, es recomendable saber cierta información práctica
- Monte siempre la empuñadura auxiliar E ② y el protector de seguridad F ②; nunca utilice la herramienta sin ellas
- **Utilice aparatos de detección adecuados para localizar posibles conductores o tuberías ocultas, o consulte a su compañía abastecedora** (el contacto con conductores eléctricos puede provocar una descarga eléctrica e incluso un incendio; al dañar una tubería de gas puede producirse una explosión; la perforación de una tubería de agua pueden causar daños materiales o una descarga eléctrica)
- **No trabaje materiales que contengan amianto** (el amianto es cancerígeno)
- El polvo del material, como la pintura que contiene plomo, algunas especies de madera, minerales y metal podrían ser dañinos (el contacto o inhalación del polvo podría producir reacciones alérgicas y trastornos respiratorios al operador o a otras personas que se encuentren en la zona); **utilice una máscara contra el polvo y trabaje con un dispositivo de extracción de polvo cuando lo conecte**
- Ciertos tipos de polvo están catalogados como cancerígenos (por ejemplo el polvo de roble y de haya) especialmente junto con aditivos para el acondicionamiento de la madera; **utilice una máscara contra el polvo y trabaje con un dispositivo de extracción de polvo cuando lo conecte**
- Siga la normativa nacional en cuanto a extracción de polvo, en función de los materiales que vayan a ser utilizados
- Tenga cuidado cuando tronze sotobosque, especialmente en muros de soporte (las aberturas de los muros de soporte están sujetas a regulaciones específicas de cada país; estas regulaciones deben respetarse bajo cualquier circunstancia)
- **Asegure la pieza de trabajo** (una pieza de trabajo fijada con unos dispositivos de sujeción o en un tornillo de banco, se mantiene sujeta de forma mucho más segura que con la mano)

- No sujete la herramienta a un banco

DURANTE EL USO

- En caso de producirse una avería eléctrica o mecánica, apague inmediatamente la herramienta y extraiga la batería
- En caso de desactivarse la protección de la batería, o si se extrae la batería, la herramienta no volverá a ponerse en marcha por sí sola; para reactivar la herramienta, desbloquee el interruptor de encendido y vuelva a encender la herramienta ⑪

DESPUÉS DEL USO

- Después de apagar la herramienta, nunca detenga la rotación del accesorio ejerciendo una fuerza lateral contra él

BATERÍAS

- **La batería proporcionada está parcialmente cargada** (para garantizar la capacidad total de la batería cárguela completamente en el cargador antes de utilizar por primera vez la herramienta eléctrica)
- **Utilice únicamente los siguientes cargadores y baterías con esta herramienta**
 - Batería SKIL: BR1*31****
 - Cargador SKIL: CR1*31****
- No utilice la batería si está deteriorada, es necesario cambiarla
- No desarme la batería
- No exponga la herramienta/batería a la lluvia
- Temperatura ambiente permitida (herramienta/cargador/batería):
 - durante la carga 4...40°C
 - durante el servicio -20...+50°C
 - durante el almacenamiento -20...+50°C

EXPLICACIÓN DE SÍMBOLOS DE HERRAMIENTA/ BATERÍA

- ③ Lea el manual de instrucciones antes de utilizarla
- ④ Utilice gafas de protección y protección para los oídos
- ⑤ Las baterías estallarán si se tiran al fuego, por ningún motivo caliente las baterías
- ⑥ Guarde la herramienta/cargador/batería en un lugar donde la temperatura no exceda los 50°C
- ⑦ No deseche las herramientas eléctricas y las pilas junto con los residuos domésticos

USO

- Recargue de la batería
- **! lea las instrucciones y la advertencias de seguridad entregadas con el cargador**
- Extracción/instalación de la batería ②
- Indicador del nivel de batería ⑧
 - pulse el botón indicador de nivel de la batería L para mostrar el nivel actual de carga ⑧a
 - **! cuando empieza a parpadear el nivel inferior del indicador de la batería al pulsar el botón L ⑧b, la batería está descargada**
 - **! cuando los niveles 2 del indicador de la batería empiezan a parpadear al pulsar el botón L ⑧c, la batería no se encuentra dentro del rango admisible de temperaturas de funcionamiento**
- Protección de la batería
 - La herramienta se apaga inmediatamente, o se impide su encendido, cuando
 - **la carga es demasiado elevada** --> retire la carga y vuelva a poner en marcha
 - **la temperatura de la batería no se encuentra dentro del rango admisible de temperaturas de**

funcionamiento entre -20 °C y +50 °C --> los niveles 2 del indicador de nivel de la batería comienzan a parpadear al pulsar el botón L ⑧c; espere a que la batería vuelva a estar dentro del rango admisible de temperaturas de funcionamiento

- **la batería está casi descargada (como protección frente a una descarga intensa)** --> el indicador de nivel de la batería señala un nivel bajo de carga o un nivel bajo de carga intermitente ⑧b al pulsar el botón L; cargue la batería

! **no continúe pulsando el interruptor de encendido después de que se apague automáticamente la herramienta; se puede dañar la batería**

• Montaje de accesorios ②

! **extraiga la batería de la herramienta**

- limpie el eje A y todas las piezas que vaya a montar
- apriete la brida de sujeción B con la llave C mientras aprieta el botón de bloqueo del eje D

! **sólo pulse el botón de bloqueo del eje D cuando el eje A esté inmóvil**

- para desmontar los accesorios, proceda de modo inverso

! **las muelas de amolar/tronzar se calientan en exceso durante su uso; no las toque hasta que se hayan enfriado**

! **nunca utilice un disco de amolar/tronzar sin la etiqueta, que se encuentra pegada sobre el disco (si suministrada)**

• Montaje de la empuñadura auxiliar E ⑨

! **extraiga la batería de la herramienta**

- atornille la empuñadura auxiliar E a la derecha, la parte superior o la izquierda de la herramienta (dependiendo del trabajo a realizar)

• Desmontaje/montaje/regulación del protector de seguridad F ⑩

! **extraiga la batería de la herramienta**

! **asegúrese de que la parte cerrada del protector de seguridad siempre está orientada hacia el operador**

- si es necesario, ajuste el protector de seguridad F apretando el tornillo G que va pre-ajustado de fábrica (asegúrese de que el protector de seguridad está cerrado)

• Antes de utilizar la herramienta

- asegúrese de que el accesorio esté correctamente montado y firmemente apretado

- compruebe que el accesorio se mueve libremente al girarlo con la mano

- pruebe la herramienta dejándola funcionar en una posición segura durante al menos 60 segundos a la máxima velocidad en vacío

- deténgala inmediatamente en caso de vibraciones considerables u otros defectos, y examine la herramienta para determinar su posible causa

• Interruptor de encendido/apagado de bloqueo J ⑪

- ponga en marcha la herramienta ⑪a

! **tenga cuidado con la reacción súbita de la herramienta, al conectarla**

! **antes de trabajar sobre una pieza, la herramienta deberá alcanzar su velocidad máxima**

- bloquee el interruptor ⑪b

- desbloquee el interruptor/desconecte la herramienta

⑪c

! **antes de desactivar la herramienta, debe retirarla de la pieza de trabajo**

! **después de haber apagado la herramienta el accesorio continuará girando durante un corte período de tiempo**

• Amolar ⑫

- mueva la herramienta hacia delante y atrás ejerciendo una presión moderada

! **nunca utilice un disco de tronzar para amolar lateralmente**

• Tronzar ⑬

- no incline la herramienta al tronzar

- mueva siempre la herramienta en la dirección de la flecha situada sobre el cabezal de la herramienta para prevenir que empuje la herramienta fuera del corte de una forma descontrolada

- no presione la herramienta; deje que la velocidad de la muela tronzadora haga el trabajo

- la velocidad de trabajo de la muela tronzadora depende del material que esté cortando

- no frene las muelas tronzadoras ejerciendo presión lateral

• Sujeción y manejo de la herramienta

- sujete siempre firmemente la herramienta con ambas manos para tener el control todo el tiempo

! **durante el trabajo, sujete siempre la herramienta por la(s) zona(s) de empuñadura de color gris ⑭**

- adopte una postura segura

- preste atención a la dirección de rotación; sostenga siempre la herramienta de modo que las chispas y el polvo procedentes de la herramienta salten lejos del cuerpo

- mantenga las ranuras de ventilación K ② descubiertas

• Montaje/extracción de la llave C ⑮

- sólo de aplicación si la herramienta se maneja con una empuñadura auxiliar con compartimento integrado para guardar la llave

CONSEJOS DE APLICACIÓN

• Si desea más información, visite www.skil.com

MANTENIMIENTO / SERVICIO

• Esta herramienta no está concebida para uso profesional

• Mantenga siempre limpia la herramienta (sobre todo las ranuras de ventilación K ②)

! **extraiga la batería de la herramienta antes de la limpieza**

• Si a pesar de los esmerados procesos de fabricación y control, la herramienta llegase a averiarse, la reparación deberá encargarse a un servicio técnico autorizado para herramientas eléctricas SKIL

- envíe la herramienta **sin desmontar** junto con una prueba de su compra a su distribuidor o a la estación de servicio más cercana de SKIL (los nombres así como el despiece de piezas de la herramienta figuran en www.skil.com)

• Tenga presente que los daños debido a sobrecargas o al manejo inadecuado de la herramienta serán excluidos de la garantía (consulte las condiciones de garantía de SKIL en www.skil.com o consulte a su distribuidor)

AMBIENTE

- **No deseche las herramientas eléctricas, las pilas, los accesorios y embalajes junto con los residuos domésticos** (sólo para países de la Unión Europea)
 - de conformidad con la Directiva Europea 2012/19/CE sobre residuos de aparatos eléctricos y electrónicos y su aplicación de acuerdo con la legislación nacional, las herramientas eléctricas cuya vida útil haya llegado a su fin se deberán recoger por separado y trasladar a una planta de reciclaje que cumpla con las exigencias ecológicas
 - símbolo ⑦ llamará su atención en caso de necesidad de tirarlas
- ! **es prioritario disponer de terminales protectores de baterías para evitar un corto circuito**

RUIDOS / VIBRACIONES

- **3920**

Realizando mediciones según EN 60745, el nivel de presión acústica de esta herramienta es 80,5 dB(A) y el nivel de potencia acústica es de 91,5 dB(A) (incertidumbre K = 3 dB), y la vibración al amolar superficies 5,5 m/s² suma vectorial triaxial; incertidumbre K = 1,5 m/s²)

! **otras aplicaciones (tales como tronzar) pueden tener diferentes valores de vibración**
- **3921**

Realizando mediciones según EN 60745, el nivel de presión acústica de esta herramienta es 80,0 dB(A) y el nivel de potencia acústica es de 91,0 dB(A) (incertidumbre K = 3 dB), y la vibración al amolar superficies 4,3 m/s² suma vectorial triaxial; incertidumbre K = 1,5 m/s²)

! **otras aplicaciones (tales como tronzar) pueden tener diferentes valores de vibración**
- El nivel de emisión de vibraciones ha sido medido según una prueba estándar proporcionada en EN 60745; puede utilizarse para comparar una herramienta con otra y como valoración preliminar de la exposición a las vibraciones al utilizar la herramienta con las aplicaciones mencionadas
 - al utilizarla para distintas aplicaciones o con accesorios diferentes o con un mantenimiento deficiente, podría **augmentar** de forma notable el nivel de exposición
 - en las ocasiones en que se apaga la herramienta o cuando está funcionando pero no está realizando ningún trabajo, se podría **reducir** el nivel de exposición de forma importante
- ! **protéjase contra los efectos de la vibración realizando el mantenimiento de la herramienta y sus accesorios, manteniendo sus manos calientes y organizando sus patrones de trabajo**



P

Rebarbadora sem fios 3920/3921

INTRODUÇÃO

- Esta ferramenta destina-se ao **ligeiro** rebarbe, corte e rectificação de metal e pedra sem a utilização de água
- Esta ferramenta não se destina a utilização profissional
- **Não aplique pressão na ferramenta; deixe que a velocidade do disco de corte faça o trabalho**
- **As operações de corte com rodas de corte abrasivas ligadas só são permitidas quando utilizar uma guarda de corte (disponível como o acessório SKIL opcional 2610S00253 (3920) / 2610S00275 (3921))**
- Leia e guarde este manual de instruções ③

DADOS TÉCNICOS ①

ELEMENTOS DA FERRAMENTA ②

- A Veio
- B Anel de aperto
- C Chave de porcas
- D Botão de bloqueio do veio
- E Punho auxiliar
- F Guarda de protecção
- G Parafuso de protecção
- H Anel de montagem
- J Interruptor on/off de travagem
- K Aberturas de ventilação
- L Indicador do nível de carregamento da bateria
- M Alavanca de protecção de segurança

SEGURANÇA

INDICAÇÕES GERAIS DE SEGURANÇA PARA FERRAMENTAS ELÉTRICAS

⚠ AVISO Leia todos os avisos de segurança, instruções, ilustrações e especificações fornecidas com esta ferramenta eléctrica. O incumprimento de todas as instruções enumeradas abaixo poderá resultar em choque eléctrico, incêndio e/ou lesão grave.

Guarde bem todas as advertências e instruções para futura referência.

O termo “ferramenta eléctrica” utilizado a seguir nas indicações de advertência, refere-se a ferramentas eléctricas operadas com corrente de rede (com cabo de rede) e a ferramentas eléctricas operadas com acumulador (sem cabo de rede).

1) SEGURANÇA DA ÁREA DE TRABALHO

- a) **Mantenha a sua área de trabalho limpa e arrumada.** Desordem ou áreas de trabalho com fraca iluminação podem causar acidentes.
- b) **Não trabalhar com a ferramenta eléctrica em áreas com risco de explosão, nas quais se encontrem líquidos, gases ou pós inflamáveis.** Ferramentas eléctricas produzem faíscas que podem provocar a ignição de pó e vapores.

- c) **Mantenha crianças e outras pessoas afastadas da ferramenta eléctrica durante o trabalho com a ferramenta.** Distracções podem causar a falta de controlo sobre o aparelho.
- 2) **SEGURANÇA ELÉTRICA**
- a) **As fichas das ferramentas eléctricas devem caber na tomada. A ficha não deve ser modificada de modo algum. Não utilize quaisquer fichas de adaptação junto com ferramentas eléctricas ligadas à terra.** Fichas sem modificações e tomadas adequadas reduzem o risco de choques eléctricos.
- b) **Evite que o corpo entre em contacto com superfícies ligadas à terra, como por exemplo tubos, radiadores, fogões e geladeiras.** Há um risco elevado de choques eléctricos, caso o corpo for ligado à terra.
- c) **A ferramenta eléctrica não deve ser exposta à chuva nem humidade.** A penetração de água na ferramenta eléctrica aumenta o risco de choques eléctricos.
- d) **O cabo do aparelho não deve ser utilizado para o transporte, para pendurar o aparelho, nem para puxar a ficha da tomada. Mantenha o cabo afastado de calor, óleo, cantos afiados ou partes em movimento do aparelho.** Cabos danificados ou torcidos aumentam o risco de choques eléctricos.
- e) **Ao trabalhar com a ferramenta eléctrica ao ar livre, use um cabo de extensão apropriado para áreas externas.** O uso de um cabo apropriado para áreas externas reduz o risco de choques eléctricos.
- f) **Se não for possível evitar o funcionamento da ferramenta eléctrica em áreas húmidas, deverá ser utilizado um disjuntor de corrente de avaria.** A utilização de um disjuntor de corrente de avaria reduz o risco de um choque eléctrico.
- 3) **SEGURANÇA DE PESSOAS**
- a) **Esteja alerta, observe o que está a fazer, e tenha prudência ao trabalhar com a a ferramenta eléctrica. Não use a ferramenta eléctrica se estiver fatigado ou sob a influência de drogas, álcool ou medicamentos.** Um momento de falta de atenção durante a operação da ferramenta eléctrica pode causar graves lesões.
- b) **Utilizar equipamento de protecção pessoal e sempre óculos de protecção.** A utilização de equipamento de protecção pessoal, como máscara de protecção contra pó, sapatos de segurança antiderrapantes, capacete de segurança ou protecção auricular, de acordo com o tipo e aplicação da ferramenta eléctrica, reduz o risco de lesões.
- c) **Evitar uma colocação em funcionamento involuntária. Assegure se de que a ferramenta eléctrica esteja desligada, antes de conectá-la à alimentação de rede e/ou ao acumulador, antes de levantá-la ou de transportá-la.** Se tiver o dedo no interruptor ao transportar a ferramenta eléctrica ou se o aparelho for conectado à alimentação de rede enquanto estiver ligado, poderão ocorrer acidentes.
- d) **Remover chaves de ajustes ou chaves de fenda, antes de ligar a ferramenta eléctrica.** Uma chave de fenda ou chave de ajuste que se encontre numa parte móvel do aparelho, pode levar a lesões.
- e) **Não se sobrestime. Mantenha uma posição firme e mantenha sempre o equilíbrio.** Desta forma poderá

- será mais fácil controlar o aparelho em situações inesperadas.
- f) **Use roupa apropriada. Não use roupa larga ou jóias. Mantenha os cabelos e roupas afastados de partes em movimento.** Roupas largas, jóias ou cabelos longos podem ser agarradas por partes em movimento.
- g) **Se for prevista a montagem de dispositivos de aspiração de pó e de dispositivos de recolha, assegure-se de que estão conectados e que sejam utilizados de forma correcta.** A utilização de uma aspiração de pó pode reduzir o perigo devido ao pó.
- h) **Não deixe que a familiaridade resultante de uma utilização frequente de ferramentas permita que você se torne complacente e ignore os princípios de segurança da ferramenta.** Uma acção descuidada pode causar ferimentos graves numa fração de segundo.
- 4) **USO E TRATAMENTO DE FERRAMENTAS ELÉTRICAS**
- a) **Não sobrecarregue a ferramenta eléctrica. Use para o seu trabalho a ferramenta eléctrica correcta.** A ferramenta correcta realizará o trabalho de forma melhor e mais segura dentro da faixa de potência indicada.
- b) **Não utilize a ferramenta eléctrica se o interruptor não puder ser ligado nem desligado.** Qualquer ferramenta eléctrica que não possa ser controlada através do interruptor de ligar-desligar, é perigosa e deve ser reparada.
- c) **Puxar a ficha da tomada e/ou remover o acumulador, se amovível, antes de executar ajustes na ferramenta, de substituir acessórios ou de guardar a ferramenta.** Esta medida de segurança evita que a ferramenta eléctrica seja ligada acidentalmente.
- d) **Guarde ferramentas eléctricas que não estiverem sendo utilizadas, for a do alcance de crianças. Não permita que o aparelho seja utilizado por pessoas não familiarizadas com o mesmo ou que não tenham lido estas instruções.** Ferramentas eléctricas são perigosas nas mãos de pessoas sem treinamento.
- e) **Trate a ferramenta eléctrica e os acessórios com cuidado. Verifique se as partes móveis do aparelho funcionam perfeitamente e não emperram, se há peças quebradas ou danificadas, que possam influenciar o funcionamento do aparelho. Peças danificadas devem ser reparadas antes da utilização do aparelho.** Muitos acidentes tem como causa uma manutenção insuficiente das ferramentas eléctricas.
- f) **Mantenha as ferramentas de corte sempre afiadas e limpas.** Ferramentas de cortes devidamente afiadas, com cantos afiados travam com menos frequência e podem ser controladas com maior facilidade.
- g) **Use a ferramenta eléctrica, os acessórios os bits da ferramenta etc., de acordo com estas instruções. Considere também as condições de trabalho e o trabalho a ser efectuado.** A utilização da ferramenta eléctrica para outros fins que os previstos, pode resultar em situações perigosas.
- h) **Mantenha os punhos e as superfícies de agarrar secas, limpas e livres de óleo e massa consistente.** Punhos e superfícies de agarrar escorregadias não permitem o manuseio e controlo seguros da ferramenta em situações inesperadas.

5) USO E TRATAMENTO DE APARELHOS COM ACUMULADOR

- a) **Apenas deverá carregar em carregadores, acumuladores recomendados pelo fabricante.** Um carregador que é apropriado para um tipo de acumulador, pode causar um incêndio se se for utilizado para carregar outros acumuladores.
- b) **Apenas utilize nas ferramentas eléctricas os acumuladores previstos.** A utilização de outros acumuladores pode levar a lesões e riscos de incêndio.
- c) **Quando o acumulador não estiver em uso, mantenha-o afastado de outros objectos de metal, como por exemplo agrafos, moedas, chaves, pregos, parafusos, ou outros pequenos objectos metálicos que possam ligar em ponte os contactos.** Um curto circuito entre os contactos do acumulador pode causar queimaduras ou incêndio.
- d) **Aplicações inadequadas podem provocar fugas do líquido do acumulador. Evite o contacto com este líquido. No caso de um contacto accidental, lave imediatamente com água fresca. Se o líquido entrar em contacto com os olhos, procure um auxílio médico.** O líquido que escapa do acumulador pode levar a irritações ou queimaduras da pele.
- e) **Não use um acumulador ou uma ferramenta danificada ou modificada.** Os acumuladores danificados ou modificados exibem um comportamento imprevisível podendo causar incêndio, explosão ou risco de lesão.
- f) **Não exponha o acumulador ou a ferramenta ao fogo ou temperatura excessiva.** Exposição ao fogo ou a uma temperatura acima de 130°C pode causar explosão.
- g) **Siga todas as instruções de carregamento e não carregue o acumulador ou a ferramenta fora da faixa de temperatura especificada no manual de instruções.** Carregar indevidamente ou em temperaturas fora da faixa especificada pode danificar o acumulador e aumentar o risco de incêndio.

6) SERVIÇO

- a) **A sua ferramenta eléctrica só deve ser reparada por pessoal qualificado e só devem ser colocadas peças sobressalentes originais.** Desta forma é assegurada a segurança da ferramenta eléctrica.
- b) **Nunca tente reparar acumuladores danificados.** A reparação de acumuladores deve ser realizada apenas pelo fabricante ou agentes de assistência autorizados.

INSTRUÇÕES DE SEGURANÇA PARA REBARBADORAS

1) ADVERTÊNCIAS GERAIS DE SEGURANÇA PARA OPERAÇÕES DE REBARBAGEM O DE CORTE ABRASIVO

- a) **Esta ferramenta eléctrica pode ser utilizada como rebarbadora e máquina para cortar. Observar todas as indicações de aviso, instruções, apresentações e dados fornecidos com a ferramenta eléctrica.** O desrespeito das seguintes instruções pode levar a um choque eléctrico, incêndio e/ou graves lesões.
- b) **Esta ferramenta eléctrica não é recomendada para operações de lixagem, escovagem ou polimento.** As operações para as quais a ferramenta eléctrica não foi concebida podem criar perigo e provocar lesões pessoais.

- c) **Não utilizar acessórios, que não foram especialmente previstos e recomendados pelo fabricante para esta ferramenta eléctrica.** O facto de poder fixar o acessório a esta ferramenta eléctrica, não garante uma aplicação segura.
- d) **O número de rotação admissível da ferramenta de trabalho deve ser no mínimo tão alto quanto o máximo número de rotação indicado na ferramenta eléctrica.** Acessórios que girem mais rápido do que permitido, podem ser destruídos.
- e) **O diâmetro exterior e a espessura da ferramenta de trabalho devem corresponder às indicações de medida da sua ferramenta eléctrica.** Ferramentas de trabalho incorrectamente medidas podem não ser suficientemente blindadas nem controladas.
- f) **Ferramentas de trabalho com encaixe roscado devem caber exactamente na rosca do veio de retificação.** Para ferramentas de trabalho montadas com flange é necessário que o diâmetro do furo da ferramenta de trabalho tenha as dimensões apropriadas para o flange. Ferramentas de trabalho, que não são fixas exactamente na ferramenta eléctrica, giram de forma irregular, vibram fortemente e podem levar à perda de controlo.
- g) **Não utilizar ferramentas de trabalho danificadas. Antes de cada utilização deverá controlar as ferramentas de trabalho, e verificar se por exemplo os discos abrasivos apresentam fissuras e estilhaços, se pratos abrasivos apresentam fissuras, se há desgaste ou forte atrição, se as escovas de arame apresentam arames soltos ou quebrados. Se a ferramenta eléctrica ou a ferramenta de trabalho caírem, deverá verificar se sofreram danos, ou deverá utilizar uma ferramenta de trabalho intacta. Após ter controlado e introduzido a ferramenta de trabalho, deverá manter a própria pessoa e as pessoas que se encontrem nas proximidades, fora do nível de rotação da ferramenta de trabalho e permitir que a ferramenta eléctrica funcione durante um minuto com o máximo número de rotação.** A maioria das ferramentas de trabalho danificadas quebram durante este período de teste.
- h) **Utilizar um equipamento de protecção pessoal. De acordo com a aplicação, deverá utilizar uma protecção para todo o rosto, protecção para os olhos ou um óculos protector. Se for necessário, deverá utilizar uma máscara contra pó, protecção auricular, luvas de protecção ou um avental especial, que mantenha afastadas pequenas partículas de amoladura e de material.** Os olhos devem ser protegidos contra partículas a voar, produzidas durante as diversas aplicações. A máscara contra pó ou a máscara de respiração deve ser capaz de filtrar o pó produzido durante a respectiva aplicação. Se for sujeito durante longo tempo a fortes ruídos, poderá sofrer a perda da capacidade auditiva.
- i) **Observe que as outras pessoas mantenham uma distância segura em relação ao seu local de trabalho. Cada pessoa que entrar na área de trabalho, deverá usar um equipamento de protecção pessoal.** Estilhaços da peça a ser trabalhada ou ferramentas de trabalho quebradas podem voar e causar lesões fora da área imediata de trabalho.

- j) **Segure a ferramenta eléctrica apenas nas superfícies isoladas, ao realizar uma operação na qual o acessório possa entrar em contacto com fios eléctricos ocultos.** Um acessório em contacto com um fio eléctrico com "corrente" pode transmitir "corrente" às peças metálicas expostas da ferramenta eléctrica e dar um choque eléctrico ao utilizador.
- k) **Manter o cabo de rede afastado de ferramentas de trabalho em rotação.** Se perder o controlo sobre a ferramenta eléctrica, é possível que o cabo de rede seja cortado ou enganchado e a sua mão ou braço sejam puxados contra a ferramenta de trabalho em rotação.
- l) **Jamais depositar a ferramenta eléctrica, antes que a ferramenta de trabalho esteja completamente parada.** A ferramenta de trabalho em rotação pode entrar em contacto com a superfície de apoio, provocando uma perda de controlo da ferramenta eléctrica.
- m) **Não permitir que a ferramenta eléctrica funcione enquanto estiver a transportá-la.** A sua roupa pode ser agarrada devido a um contacto accidental com a ferramenta de trabalho em rotação, de modo que a ferramenta de trabalho possa ferir o seu corpo.
- n) **Limpar regularmente as aberturas de ventilação da sua ferramenta eléctrica.** A ventoinha do motor puxa pó para dentro da carcaça, e uma grande quantidade de pó de metal pode causar perigos eléctricos.
- o) **Não utilizar a ferramenta eléctrica perto de materiais inflamáveis.** Fiskas podem incendiar estes materiais.
- p) **Não utilizar ferramentas de trabalho que necessitem agentes de refrigeração líquidos.** A utilização de água ou de outros agentes de refrigeração líquidos pode provocar um choque eléctrico.
- 2) CONTRA-GOLPE E RESPECTIVAS INDICAÇÕES DE AVISO**
- Contra-golpe é uma repentina reacção devido a uma ferramenta de trabalho travada ou bloqueada, como por exemplo um disco abrasivo, um prato abrasivo, uma escova de arame etc. Um travamento ou um bloqueio levam a uma parada abrupta da ferramenta de trabalho em rotação. Desta forma, uma ferramenta eléctrica descontrolada é acelerada no local do bloqueio, no sentido contrário da rotação da ferramenta de trabalho.
 - Se por exemplo um disco abrasivo travar ou bloquear numa peça a ser trabalhada, o canto do disco abrasivo pode mergulhar na peça a ser trabalhada e encravar-se, quebrando o disco abrasivo ou causando um contra-golpe. O disco abrasivo se movimenta então no sentido do operador ou para longe deste, dependendo do sentido de rotação do disco no local do bloqueio. Também é possível que os discos abrasivos quebrem.
 - Um contra-golpe é a consequência de uma utilização incorrecta ou indevida da ferramenta eléctrica. Ele pode ser evitado por apropriadas medidas de cuidado, como descrito a seguir.
- a) **Segurar firmemente a ferramenta eléctrica e posicionar o seu corpo e os braços de modo que possa resistir às forças de um contra-golpe. Sempre utilizar o punho adicional, se existente, para assegurar o máximo controlo possível sobre as forças de um contra-golpe ou sobre momentos de reacção durante o arranque.** O operador pode controlar as forças de contra-golpe e as forças de reacção através de medidas de cuidado apropriadas.
- b) **Jamais permita que as suas mãos se encontrem perto de ferramentas de trabalho em rotação.** No caso de um contra-golpe a ferramenta de trabalho poderá passar pela sua mão.
- c) **Evite que o seu corpo se encontre na área, na qual a ferramenta eléctrica possa ser movimentada no caso de um contra-golpe.** O contra-golpe força a ferramenta eléctrica no sentido contrário ao movimento do disco abrasivo no local do bloqueio.
- d) **Trabalhar com especial cuidado na área ao redor de esquinas, cantos afiados etc. Evite que ferramentas de trabalho sejam ricocheteadas pela peça a ser trabalhada e travadas.** A ferramenta de trabalho em rotação tende a travar em esquinas, em cantos afiados ou se for ricocheteada. Isto causa uma perda de controlo ou um contra-golpe.
- e) **Não utilizar lâminas de serra de correias ou dentadas.** Estas ferramentas de trabalho causam frequentemente um contra-golpe ou a perda de controlo sobre a ferramenta eléctrica.
- 3) AVISOS DE SEGURANÇA ESPECÍFICOS PARA OPERAÇÕES DE CORTE ABRASIVO E RECTIFICAÇÃO**
- a) **Utilizar exclusivamente os corpos abrasivos homologados para a sua ferramenta eléctrica e a capa de protecção prevista para estes corpos abrasivos.** Corpos abrasivos não previstos para a ferramenta eléctrica, não podem ser suficientemente protegidos e portanto não são seguros.
- b) **Discos abrasivos acovelados devem ser montados de modo que a sua superfície rectificadora não sobressaia do nível da borda da cobertura de protecção.** Um disco abrasivo montado de forma incorrecta, que sobressai do nível da borda da cobertura de protecção, não pode ser suficientemente protegido.
- c) **A capa de protecção deve ser firmemente aplicada na ferramenta eléctrica e fixa, de modo que seja alcançado um máximo de segurança, ou seja, que uma mínima parte do corpo abrasivo aponte abertamente na direcção do operador.** A capa de protecção deve proteger o operador contra estilhaços, contacto accidental com o corpo abrasivo e fiskas que podem incendiar a roupa.
- d) **Os corpos abrasivos só devem ser utilizados para possibilidades de aplicações recomendadas.** P.ex.: Jamais lixar com a superfície lateral de um disco de corte. Disco de corte são destinados para o desbaste de material com o canto do disco. Uma força lateral sobre estes corpos abrasivos pode quebrá-los.
- e) **Sempre utilizar flanges de aperto intactos de tamanho e forma correctos para o disco abrasivo seleccionado.** Flanges apropriados apoiam o disco abrasivo e reduzem assim o perigo de uma ruptura do disco abrasivo. Flanges para discos de corte podem diferenciar-se de flanges para outros discos abrasivos.
- f) **Não utilizar discos abrasivos gastos de outras ferramentas eléctricas maiores.** Discos abrasivos para ferramentas eléctricas maiores não são apropriados para os números de rotação mais altos de ferramentas eléctricas menores e podem quebrar.

4) OUTRAS INDICAÇÕES ESPECIAIS DE AVISO PARA OPERAÇÕES DE CORTE

- a) **Evitar um bloqueio do disco de corte ou uma força de pressão demasiado alta. Não efectuar cortes extremamente profundos.** Uma sobrecarga do disco de corte aumenta o desgaste e a predisposição para emperrar e bloquear e portanto a possibilidade de um contra-golpe ou uma ruptura do corpo abrasivo.
- b) **Evitar a área que se encontra na frente ou atrás do disco de corte em rotação.** Se o disco de corte for conduzido na peça a ser trabalhada, para frente, afastando-se do corpo, é possível que no caso de um contra-golpe a ferramenta eléctrica, junto com o disco em rotação, seja atirada directamente na direcção da pessoa a operar o aparelho.
- c) **Se o disco de corte emperrar ou se o trabalho for interrompido, deverá desligar a ferramenta eléctrica e mantê-la imóvel, até o disco parar completamente. Jamais tentar puxar o disco de corte para fora do corte enquanto ainda estiver em rotação, caso contrário poderá ser provocado um contra-golpe.** Verificar e eliminar a causa do emperramento.
- d) **Não ligar novamente a ferramenta eléctrica, enquanto ainda estiver na peça a ser trabalhada. Permita que o disco de corte alcance o seu completo número de rotação, antes de continuar cuidadosamente a cortar.** Caso contrário é possível que o disco emperre, pule para fora da peça a ser trabalhada ou cause um contra-golpe.
- e) **Apoiar placas ou peças grandes, para reduzir um risco de contra-golpe devido a um disco de corte emperrado.** Peças grandes podem curvar-se devido ao próprio peso. A peça a ser trabalhada deve ser apoiada de ambos os lados, tanto nas proximidades do corte como também nos cantos.
- f) **Tenha extremamente cuidado ao efectuar „Cortes de bolso“ em paredes existentes ou em outras superfícies, onde não é possível reconhecer o que há por detrás.** O disco de corte pode causar um contra-golpe se cortar acidentalmente tubulações de gás ou de água, cabos eléctricos ou outros objectos.

INSTRUÇÕES DE SEGURANÇA ADICIONAIS

GENERAL

- Esta ferramenta não é aconselhada para rebarbar/cortar com água
- Utilize apenas os anéis fornecidos com a ferramenta
- Esta ferramenta não deve ser utilizada por pessoas menores de 16 anos
- **Retire a bateria da ferramenta antes de efectuar qualquer regulação ou mudar de acessório**

ACESSÓRIOS

- A SKIL só pode garantir um funcionamento perfeito da ferramenta, quando utilizada com os acessórios originais
- Para montar/usar acessórios de outras marcas que não sejam SKIL, respeite as instruções do respectivo fabricante
- **Utilize apenas discos de rebarbe/corte com uma espessura máxima de 6 mm e um diâmetro do orifício do veio de 22 mm**
- Nunca utilize redutores ou adaptadores para montar discos de rebarbe/corte com um diâmetro de abertura grande

- Nunca utilize acessórios com uma abertura “fechada” de rosca inferior a M14 x 21 mm
- Manuseie e guarde os discos de rebarbe/corte com cuidado, de modo a evitar que lasquem ou partam

ANTES DA UTILIZAÇÃO

- Recomenda-se que, antes de usar a ferramenta pela primeira vez, o utilizador receba informação prática
- Monte sempre a pega lateral E ② e a protecção F ②; nunca utilize a ferramenta sem estes componentes
- **Utilizar detectores apropriados para detectar tubos e cabos de alimentação escondidos, ou consulte a firma de alimentação local** (o contacto com um cabo eléctrico pode levar a incêndio e choque eléctrico; a danificação de um cano de gás pode levar à explosão; a penetração de uma tubulação de água provoca danos materiais ou pode provocar um choque eléctrico)
- **Não processar material que contenha asbesto** (asbesto é considerado como sendo cancerígeno)
- O pó do material, como tinta com chumbo, algumas espécies de madeira, minerais e metais, pode ser prejudicial (contacto ou inalação do pó pode provocar reacções alérgicas e/ou doenças respiratórias ao operador ou às pessoas presentes); **use máscara respiratória e trabalhe com um dispositivo de extracção de pó quando ligado a**
- Determinados tipos de pó são classificados como substâncias cancerígenas (como pó de carvalho e faia), em especial, juntamente com aditivos para acondicionamento da madeira; **use máscara respiratória e trabalhe com um dispositivo de extracção de pó quando ligado a**
- Siga o regulamento nacional quanto a extracção de pó, em função dos materiais que vão ser utilizados
- Tenha cuidado ao abrir ranhuras, especialmente em paredes de apoio (as aberturas em paredes de apoio estão sujeitas a regulamentações que variam de país para país; tais regulamentações deverão ser respeitadas em todas as circunstâncias)
- **Fixe a peça de trabalho** (uma peça de trabalho fixa com dispositivos de fixação ou num torno fica melhor fixa do que manualmente)
- Não fixe a ferramenta num torno

DURANTE A UTILIZAÇÃO

- Em caso de anomalias eléctricas ou mecânicas, desligue imediatamente a ferramenta e retire a bateria
- No caso de uma interrupção de protecção da bateria, ou quando a bateria for removida, a ferramenta não reiniciará sozinha; para reiniciar a ferramenta desbloqueie o interruptor de ligar/desligar e volte a ligar a ferramenta ①

APÓS A UTILIZAÇÃO

- Depois de desligar a ferramenta, nunca pare a rotação do acessório exercendo força lateral sobre o mesmo

BATERIAS

- **A bateria fornecida tem apenas carga parcial** (para assegurar a capacidade total da bateria, carregue completamente a bateria no carregador antes de usar a sua ferramenta eléctrica pela primeira vez)
- **Utilize apenas as seguintes baterias e carregadores com esta ferramenta**
 - Bateria SKIL: BR1*31****
 - Carregador SKIL: CR1*31****
- Não utilize baterias danificadas; devem ser substituídas imediatamente
- Não desmonte a bateria
- Não exponha a ferramenta/bateria à chuva

- Temperatura ambiente permitida (ferramenta/carregador/bateria):
 - durante o carregamento 4...40°C
 - durante o funcionamento -20...+50°C
 - durante o armazenamento -20...+50°C

EXPLICAÇÃO DOS SÍMBOLOS DA FERRAMENTA/BATERIA

- ③ Leia o manual de instruções antes de utilizar o equipamento
- ④ Use óculos de protecção e protectores para os ouvidos
- ⑤ As baterias explodirão quando colocadas num fogo, por isso, não queime as baterias por nenhum motivo
- ⑥ Guarde a ferramenta/carregador/bateria em locais onde a temperatura não exceda os 50°C
- ⑦ Não deite ferramentas eléctricas e pilhas no lixo doméstico

MANUSEAMENTO

- Recarga da bateria
 - ! **leia os avisos de segurança e as instruções fornecidos com o carregador**
- Remover/instalar a bateria ②
- Indicador de nível da bateria ⑧
 - prima o botão do indicador de nível da bateria L para apresentar o nível actual da bateria ⑧a
 - ! **quando o nível mais baixo do indicador da bateria ficar intermitente depois de premir o botão L ⑧b, a bateria está vazia**
 - ! **quando os níveis 2 do indicador da bateria ficarem intermitentes depois de premir o botão L ⑧c, a bateria não está dentro do intervalo da temperatura de funcionamento permitido**
- Protecção da bateria
 - A ferramenta desliga-se repentinamente ou não se liga quando
 - **a carga é muito elevada** --> retire carga e recomece
 - **a temperatura da bateria não está dentro do intervalo da temperatura de funcionamento de -20 a +50°C** --> Os níveis 2 do indicador do nível da bateria ficam intermitentes quando premir o botão L ⑧c; aguarde até a bateria voltar ao intervalo de temperatura de funcionamento permitido
 - **a bateria está quase vazia (para protecção contra uma descarga profunda)** --> um nível baixo da bateria ou um nível da bateria baixo intermitente ⑧b aparece através do indicador de nível da bateria quando prime o botão L; carregue a bateria
 - ! **não continue a premir o interruptor de ligar/desligar após a desactivação automática da ferramenta; pode danificar a bateria**
- Montagem de acessórios ②
 - ! **retire a bateria da ferramenta**
 - limpe o veio A e todas as peças que vão ser montadas
 - aperte o anel B com a chave de porcas C ao mesmo tempo que carrega no botão de fecho do veio D
 - ! **carregue no botão de fecho do veio D apenas quando o veio A estiver parado**
 - para a desmontagem de acessórios, proceda ao contrário
 - ! **os discos de rebarbe/corte aquecem muito durante a utilização; não toque nos discos antes que eles arrefeçam**
 - ! **nunca utilize um disco de rebarbe/corte sem a etiqueta que lhe está colada (se fornecida)**

- Montagem do pega lateral E ⑨
 - ! **retire a bateria da ferramenta**
 - aparafuse a pega lateral E do lado direito, topo ou do lado esquerdo da ferramenta (dependendo do trabalho que vá efectuar)
- Remoção/montagem/regulação da protecção F ⑩
 - ! **retire a bateria da ferramenta**
 - ! **certifique-se de que o lado fechado da protecção fica sempre voltado para o operador**
 - se for necessário, fixe a protecção F apertando o parafuso G que foi predefinido na fábrica (**verifique que a protecção está fechada**)
- Antes de utilizar a ferramenta
 - assegure-se que o acessório está correctamente montado e apertado com firmeza
 - verifique que o acessório gira livremente rodando-o com a mão
 - ligue a ferramenta em vazio durante pelo menos 60 segundos na rotação máxima e numa posição de segurança
 - desligue imediatamente a ferramenta em caso de vibração excessiva ou outros defeitos de funcionamento, e verifique a causa do sucedido
- Interruptor On/Off de travagem J ⑪
 - ligue a ferramenta ⑪a
 - ! **tenha cuidado com o impacto súbito que a ligação origina**
 - ! **a ferramenta deverá trabalhar na velocidade máxima antes de alcançar a peça a trabalhar**
 - travar o interruptor ⑪b
 - destravar o interruptor/desligar a ferramenta ⑪c
 - ! **antes de desligar a ferramenta, deve levantá-la da peça de trabalho**
 - ! **o acessório continua a sua rotação durante um curto período de tempo, mesmo depois de a ferramenta já ter sido desligada**
- Rebarbar ⑫
 - desloque a ferramenta para trás e para a frente utilizando uma pressão moderada
 - ! **nunca utilize um disco de corte para rebarbe lateral**
- Cortar ⑬
 - não incline a ferramenta durante o corte
 - desloque sempre a ferramenta na direcção da seta que se encontra na cabeça da mesma, para impedir que a ferramenta seja empurrada para fora do ponto de corte de forma descontrolada
 - não aplique pressão na ferramenta; deixe que a velocidade do disco de corte faça o trabalho
 - a velocidade de trabalho do disco de corte depende do material que está a ser cortado
 - não trave os discos de corte exercendo pressão lateral
- Segurar e guiar a ferramenta
 - segure sempre a ferramenta com firmeza utilizando ambas as mãos, por forma a ter sempre o controlo total da ferramenta
 - ! **durante o trabalho, segure sempre a ferramenta na(s) área(s) de fixação cinzenta(s) ⑭**
 - mantenha uma posição estável
 - tome atenção à direcção da rotação; segure sempre a ferramenta por forma a que as faíscas e a limalha ou o pó saltem na direcção contrária à do corpo
 - mantenha as aberturas de ventilação K ② destapadas

- Montagem/remoção da chave de porcas C 15
 - apenas aplicável se a ferramenta for usada com pega lateral com armazenamento da chave de porcas integrado

CONSELHOS DE APLICAÇÃO

- Para mais informação, consulte www.skil.com

MANUTENÇÃO / SERVIÇO

- Esta ferramenta não se destina a utilização profissional
- Mantenha a ferramenta sempre limpa (especialmente as ranhuras de respiração K 2)
- ! **retire a bateria da ferramenta antes de limpar**
- Se a ferramenta falhar apesar de cuidadosos processos de fabricação e de teste, a reparação deverá ser executada por uma oficina de serviço autorizada para ferramentas eléctricas SKIL
 - envie a ferramenta **sem desmontar**, juntamente com a prova de compra, para o seu revendedor ou para o centro de assistência SKIL mais próximo (os endereços assim como a mapa de peças da ferramenta estão mencionados no www.skil.com)
- Não se esqueça de que os danos provocados por sobrecarga ou manuseamento incorrecto da ferramenta estão excluídos da garantia (para mais informações sobre as condições da garantia da SKIL, consulte www.skil.com ou pergunte ao seu revendedor)

AMBIENTE

- **Não deite ferramentas eléctricas, pilhas, acessórios e embalagem no lixo doméstico** (apenas para países da UE)
 - de acordo com a directiva europeia 2012/19/CE sobre ferramentas eléctricas e electrónicas usadas e a transposição para as leis nacionais, as ferramentas eléctricas usadas devem ser recolhidas em separado e encaminhadas a uma instalação de reciclagem dos materiais ecológica
 - símbolo 7 lhe avisará em caso de necessidade de arranjar-las
- ! **proteja os terminais da bateria com fita isoladora antes de a expor de modo a evitar curto-circuitos**

RUÍDO / VIBRAÇÃO

- **3920**

O nível de pressão sonora desta ferramenta, medido de acordo com a EN 60745, é de 80,5 dB(A) e o nível de potência acústica é de 91,5 dB(A) (incerteza K = 3 dB), e a vibração da rectificação da superfície 5,5 m/s² (soma do vector triax; incerteza K = 1,5 m/s²)

! **outras aplicações (tais como cortar) podem ter diferentes valores de vibração**
- **3921**

O nível de pressão sonora desta ferramenta, medido de acordo com a EN 60745, é de 80,0 dB(A) e o nível de potência acústica é de 91,0 dB(A) (incerteza K = 3 dB), e a vibração da rectificação da superfície 4,3 m/s² (soma do vector triax; incerteza K = 1,5 m/s²)

! **outras aplicações (tais como cortar) podem ter diferentes valores de vibração**
- O nível de emissão de vibrações foi medido de acordo com um teste normalizado fornecido na EN 60745;

pode ser utilizado para comparar uma ferramenta com outra e como uma avaliação preliminar de exposição à vibração quando utilizar a ferramenta para as aplicações mencionadas

- utilizar a ferramenta para diferentes aplicações ou com acessórios diferentes ou mantidos deficientemente, pode **aumentar** significativamente o nível de exposição
 - o número de vezes que a ferramenta é desligada ou quando estiver a trabalhar sem fazer nada, pode **reduzir** significativamente o nível de exposição
- ! proteja-se contra os efeitos da vibração, mantendo a ferramenta e os acessórios, mantendo as mãos quentes e organizando os padrões de trabalho**

1

Smerigliatrice angolare 3920/3921 senza filo

INTRODUZIONE

- Questo utensile serve per **leggeramente** smerigliare, tagliare e per sbavare materiali di metallo e di pietra senza l'uso di acqua
- Questo utensile non è inteso per un uso professionale
- **Non applicare pressione sull'utensile; lasciare che la velocità della mola faccia il lavoro**
- **Le operazioni di taglio con mole in abrasivo rigido possono essere eseguite solo utilizzando una protezione di taglio (disponibile come accessorio opzionale SKIL 2610S00253 (3920) / 2610S00275 (3921))**
- Leggete e conservate questo manuale di istruzione ③

DATI TECNICI ①

ELEMENTI UTENSILE ②

- A Albero
- B Flangia di bloccaggio
- C Chiave
- D Tasto di bloccaggio dell'albero
- E Impugnatura ausiliaria
- F Riparo di protezione
- G Vite del riparo di protezione
- H Flangia di montaggio
- J Interruttore on/off di bloccaggio
- K Ferriteo di ventilazione
- L Indicatore del livello batteria
- M Leva del riparo di protezione

SICUREZZA

AVVERTENZE GENERALI DI PERICOLO PER ELETTROUTENSILI

AVVERTENZA Leggere tutte le avvertenze di sicurezza, istruzioni, illustrazioni e specifiche fornite con l'utensile. La mancata osservanza di tutte le istruzioni sottoelencate potrebbe causare delle scariche elettriche, principi d'incendio e/o gravi lesioni.

Conservare tutte le avvertenze di pericolo e le istruzioni operative per ogni esigenza futura.

Il termine "elettroutensile" utilizzato nelle avvertenze di pericolo si riferisce ad elettroutensili alimentati dalla rete (con linea di allacciamento) ed ad elettroutensili alimentati a batteria (senza linea di allacciamento).

1) SICUREZZA DELLA POSTAZIONE DI LAVORO

- a) **Mantenere pulito ed ordinato il posto di lavoro.** Il disordine o le zone di lavoro non illuminate possono essere fonte di incidenti.
- b) **Evitare d'impiegare l'elettroutensile in ambienti soggetti al rischio di esplosioni nei quali si trovino liquidi, gas o polveri infiammabili.** Gli elettroutensili producono scintille che possono far infiammare la polvere o i gas.
- c) **Mantenere lontani i bambini ed altre persone durante l'impiego dell'elettroutensile.** Eventuali distrazioni potranno comportare la perdita del controllo sull'elettroutensile.

2) SICUREZZA ELETTRICA

- a) **La spina per la presa di corrente dovrà essere adatta alla presa. Evitare assolutamente di apportare modifiche alla spina. Non impiegare spine adattatrici assieme ad elettroutensili con collegamento a terra.** Le spine non modificate e le prese adatte allo scopo riducono il rischio di scosse elettriche.
- b) **Evitare il contatto fisico con superfici collegate a terra, come tubi, riscaldamenti, cucine elettriche e frigoriferi.** Sussiste un maggior rischio di scosse elettriche nel momento in cui il corpo è messo a massa.
- c) **Custodire l'elettroutensile al riparo dalla pioggia o dall'umidità.** L'eventuale infiltrazione di acqua in un elettroutensile va ad aumentare il rischio d'insorgenza di scosse elettriche.
- d) **Non usare il cavo per scopi diversi da quelli previsti al fine di trasportare o appendere l'elettroutensile, oppure di togliere la spina dalla presa di corrente. Mantenere l'elettroutensile al riparo da fonti di calore, dall'olio, dagli spigoli o da pezzi in movimento.** I cavi danneggiati o aggrovigliati aumentano il rischio d'insorgenza di scosse elettriche.
- e) **Qualora si voglia usare l'elettroutensile all'aperto, impiegare solo ed esclusivamente cavi di prolunga omologati per l'impiego all'esterno.** L'uso di un cavo di prolunga omologato per l'impiego all'esterno riduce il rischio d'insorgenza di scosse elettriche.
- f) **Qualora non fosse possibile evitare di utilizzare l'elettroutensile in ambiente umido, utilizzare un interruttore di messa a terra.** L'uso di un interruttore di messa a terra riduce il rischio di una scossa elettrica.

3) SICUREZZA DELLE PERSONE

- a) **È importante concentrarsi su ciò che si sta facendo e a maneggiare con giudizio l'elettroutensile durante le operazioni di lavoro. Non utilizzare l'elettroutensile in caso di stanchezza o sotto l'effetto di droghe, bevande alcoliche e medicinali.** Un attimo di distrazione durante l'uso dell'elettroutensile potrà causare lesioni gravi.
- b) **Indossare sempre equipaggiamento protettivo individuale. Usare sempre protezioni per gli occhi.**

Se si avrà cura d'indossare equipaggiamento protettivo individuale come la maschera antipolvere, la calzatura antisdrucchiolante di sicurezza, il casco protettivo o la protezione dell'udito, a seconda dell'impiego previsto per l'elettroutensile, si potrà ridurre il rischio di ferite.

- c) **Evitare l'accensione involontaria dell'elettroutensile. Prima di collegarlo alla rete di alimentazione elettrica e/o alla batteria ricaricabile, prima di prenderlo oppure prima di iniziare a trasportarlo, assicurarsi che l'elettroutensile sia spento.** Tenendo il dito sopra l'interruttore mentre si trasporta l'elettroutensile oppure collegandolo all'alimentazione di corrente con l'interruttore inserito, si vengono a creare situazioni pericolose in cui possono verificarsi seri incidenti.
 - d) **Togliere gli attrezzi di regolazione o la chiave inglese prima di accendere l'elettroutensile.** Un elettroutensile o una chiave inglese che si trovino in una parte dell'elettroutensile in rotazione potranno causare lesioni.
 - e) **È importante non sopravvalutarsi. Avere cura di mettersi in posizione sicura e di mantenere l'equilibrio.** In tale maniera sarà possibile controllare meglio l'elettroutensile in situazioni inaspettate.
 - f) **Indossare vestiti adeguati. Evitare di indossare vestiti lenti o gioielli. Tenere capelli e vestiti lontani da parti in movimento.** Vestiti lenti, gioielli o capelli lunghi potranno impigliarsi in pezzi in movimento.
 - g) **Se sussiste la possibilità di montare dispositivi di aspirazione o di captazione della polvere, assicurarsi che gli stessi siano stati installati correttamente e vengano utilizzati senza errori.** L'utilizzo di un'aspirazione polvere può ridurre lo svilupparsi di situazioni pericolose dovute alla polvere.
 - h) **Una volta presa confidenza con gli utensili, evitare di trascurare le norme di sicurezza.** Una mancanza di attenzione può causare gravi lesioni in una frazione di secondo.
- ### 4) MANEGGIO ED IMPIEGO ACCURATO DI ELETTROUTENSILI
- a) **Non sovraccaricare l'elettroutensile. Impiegare l'elettroutensile adatto per sbrigare il lavoro.** Utilizzando l'elettroutensile adatto si potrà lavorare meglio e con maggior sicurezza nell'ambito della gamma di potenza indicata.
 - b) **Non utilizzare elettroutensili con interruttori difettosi.** Un elettroutensile che non si può più accendere o spegnere è pericoloso e dovrà essere riparato.
 - c) **Prima di procedere ad operazioni di regolazione sull'elettroutensile, prima di sostituire parti accessorie oppure prima di posare l'elettroutensile al termine di un lavoro, estrarre sempre la spina dalla presa della corrente e/o estrarre la batteria ricaricabile, se rimovibile.** Tale precauzione eviterà che l'elettroutensile possa essere messo in funzione inavvertitamente.
 - d) **Custodire gli elettroutensili non utilizzati al di fuori della portata dei bambini. Non fare usare l'elettroutensile a persone che non sono abituate ad usarlo o che non abbiano letto le presenti istruzioni.** Gli elettroutensili sono pericolosi se utilizzati da persone inesperte.

- e) **Eseguire la manutenzione degli elettrotensili e degli accessori. Verificare che le parti mobili dell'elettrotensile funzionino perfettamente e non s'inceppino, che non ci siano pezzi rotti o danneggiati al punto tale da limitare la funzione dell'elettrotensile stesso. Far riparare le parti danneggiate prima d'impiegare l'elettrotensile.** Numerosi incidenti vengono causati da elettrotensili la cui manutenzione è stata effettuata poco accuratamente.
 - f) **Mantenere affilati e puliti gli elettrotensili da taglio.** Gli elettrotensili da taglio curati con particolare attenzione e con taglienti affilati s'inceppano meno frequentemente e sono più facili da condurre.
 - g) **Utilizzare elettrotensili, accessori, attrezzi, ecc. in conformità con le presenti istruzioni. Osservare le condizioni di lavoro ed il lavoro da eseguirsi durante l'impiego.** L'impiego di elettrotensili per usi diversi da quelli consentiti potrà dar luogo a situazioni di pericolo.
 - h) **Mantenere impugnature e superfici di presa asciutte, pulite e prive di olio e grasso.** Impugnature e superfici di presa scivolose non consentono di manipolare e controllare l'utensile in caso di situazioni inaspettate.
- 5) MANEGGIO ED IMPIEGO ACCURATO DI ACCUMULATORI**
- a) **Caricare l'accumulatore solo ed esclusivamente nei dispositivi di carica consigliati dal produttore.** Per un dispositivo di carica previsto per un determinato tipo di accumulatore, sussiste pericolo di incendio, se utilizzato con un accumulatore di tipo diverso.
 - b) **Utilizzare negli elettrotensili solo ed esclusivamente gli accumulatori previsti allo scopo.** L'uso di accumulatori di tipo diverso potrà dare insorgenza a lesioni e comportare il rischio d'incendi.
 - c) **Tenere l'accumulatore non utilizzato lontano da graffette, monete, chiavi, chiodi, viti o da altri oggetti in metallo di piccole dimensioni che potrebbero causare un ponte tra i contatti.** Un eventuale corto circuito tra i contatti dell'accumulatore potrà dare origine a bruciature o ad incendi.
 - d) **In caso di impiego sbagliato, potranno insorgere fuoriuscite di liquido dall'accumulatore. Evitarne il contatto. In caso di contatto casuale, sciacquare con acqua. Qualora il liquido dovesse entrare in contatto con gli occhi, chiedere immediato consiglio al medico.** Il liquido fuoriuscito dall'accumulatore potrà causare irritazioni cutanee o bruciature.
 - e) **Non utilizzare una batteria ricaricabile, né un elettrotensile, qualora siano danneggiati o siano stati modificati.** Batterie danneggiate o modificate possono comportare problemi non prevedibili, causando incendi, esplosioni e possibili lesioni.
 - f) **Non esporre una batteria ricaricabile o un elettrotensile al fuoco o a temperature eccessive.** L'esposizione al fuoco o a temperature superiori a 130°C può causare esplosioni.
 - g) **Rispettare tutte le istruzioni di carica e non caricare la batteria ricaricabile o l'elettrotensile fuori dal campo di ricarica indicato nelle istruzioni stesse.** Una carica non corretta, o fuori dal campo di temperatura indicato, può comportare danni alla batteria ed aumentare il pericolo di incendio.

6) ASSISTENZA

- a) **Fare riparare l'elettrotensile solo ed esclusivamente da personale specializzato e solo impiegando pezzi di ricambio originali.** In tale maniera potrà essere salvaguardata la sicurezza dell'elettrotensile.
- b) **Non sottoporre in alcun caso a manutenzione batterie ricaricabili danneggiate.** La manutenzione di batterie ricaricabili andrà effettuata esclusivamente dal produttore o da fornitori di servizi appositamente autorizzati.

ISTRUZIONI DI SICUREZZA PER SMERIGLIATRICI ANGOLARI

- 1) ISTRUZIONI DI SICUREZZA GENERALI PER LAVORI DI SMERIGLIATURA E DI TRONCATURA ABRASIVA**
- a) **Questo elettrotensile è previsto per essere utilizzato come smerigliatrice e troncatrice. Attenersi a tutte le avvertenze di pericolo, istruzioni, rappresentazioni e dati che si ricevono insieme all' elettrotensile.** In caso di mancata osservanza delle seguenti istruzioni vi è il pericolo di provocare una scossa elettrica, di sviluppare incendi e/o di provocare seri incidenti.
 - b) **Questo elettrotensile non è consigliato per operazioni di sabbiatura, spazzolatura metallica o lucidatura.** Qualsiasi operazione per la quale l'utensile non è stato concepito, potrebbe creare un pericolo e causare delle lesioni alla persona.
 - c) **Non utilizzare nessun accessorio che la casa costruttrice non abbia esplicitamente previsto e raccomandato per questo elettrotensile.** Il semplice fatto che un accessorio possa essere fissato al Vostro elettrotensile non è una garanzia per un impiego sicuro.
 - d) **Il numero di giri ammesso dell'accessorio impiegato deve essere almeno tanto alto quanto il numero massimo di giri riportato sull'elettrotensile.** Un accessorio che giri più rapidamente di quanto consentito può essere danneggiato.
 - e) **Il diametro esterno e lo spessore dell'accessorio montato devono corrispondere ai dati delle dimensioni dell'elettrotensile in dotazione.** In caso di utilizzo di portautensili e di accessori di dimensioni sbagliate non sarà possibile schermanli oppure controllarli a sufficienza.
 - f) **Accessori con filetto riportato devono essere adatti in modo preciso alla filettatura dell'alberino.** Negli accessori che vengono montati tramite flangia, il diametro del foro dell'accessorio deve corrispondere al diametro di alloggiamento della flangia. Accessori che non vengono fissati in modo preciso all'elettrotensile non ruotano in modo uniforme, vibrano molto forte e possono provocare la perdita del controllo.
 - g) **Non utilizzare mai portautensili od accessori danneggiati.** Prima di ogni utilizzo controllare i portautensili e gli accessori ed accertarsi che sui dischi abrasivi non vi siano scheggiature o crepature, che il platello non sia soggetto ad incrinature, crepature o forte usura e che le spazzole metalliche non abbiano fili metallici allentati oppure rotti. Se l'elettrotensile oppure

- l'accessorio impiegato dovesse sfuggire dalla mano e cadere, accertarsi che questo non abbia subito nessun danno oppure utilizzare un accessorio intatto. Una volta controllato e montato il portautensili o accessorio, far funzionare l'elettrotensile per la durata di un minuto con il numero massimo di giri avendo cura di tenersi lontani e di impedire anche ad altre persone presenti di avvicinarsi al portautensili o accessorio in rotazione. Nella maggior parte dei casi i portautensili o accessori danneggiati si rompono nel corso di questo periodo di prova.
- h) **Indossare abbigliamento di protezione. A seconda dell'applicazione in corso utilizzare una visiera completa, maschera di protezione per gli occhi oppure occhiali di sicurezza. Per quanto necessario, portare maschere per polveri, protezione acustica, guanti di protezione oppure un grembiule speciale in grado di proteggervi da piccole particelle di levigatura o di materiale.** Gli occhi dovrebbero essere protetti da corpi estranei scaraventati per l'aria nel corso di diverse applicazioni. La maschera antipolvere e la maschera respiratoria devono essere in grado di filtrare la polvere provocata durante l'applicazione. Esponendosi per lungo tempo ad un rumore troppo forte vi è il pericolo di perdere l'udito.
- i) **Avere cura di evitare che altre persone possano avvicinarsi alla zona in cui si sta lavorando. Ogni persona che entra nella zona di operazione deve indossare un abbigliamento protettivo personale.** Frammenti del pezzo in lavorazione oppure utensili rotti possono volar via oppure provocare incidenti anche al di fuori della zona diretta di lavoro.
- j) **Tenere l'elettrotensile per le superfici isolate dell'impugnatura qualora venissero effettuati lavori durante i quali l'accessorio potrebbe venire a contatto con cavi elettrici nascosti.** Il contatto dell'accessorio con un cavo sotto tensione può mettere sotto tensione anche parti metalliche dell'utensile dell'elettrotensile, causando una scossa elettrica.
- k) **Tenere il cavo di collegamento elettrico sempre lontano da portautensili o accessori in rotazione.** Se si perde il controllo sull'elettrotensile vi è il pericolo di troncare o di colpire il cavo di collegamento elettrico e la Vostra mano o braccio può arrivare a toccare il portautensili o accessorio in rotazione.
- l) **Mai poggiare l'elettrotensile prima che il portautensili o l'accessorio impiegato non si sia fermato completamente.** L'utensile in rotazione può entrare in contatto con la superficie di appoggio facendo Vi perdere il controllo sull'elettrotensile.
- m) **Mai trasportare l'elettrotensile mentre questo dovesse essere ancora in funzione.** Attraverso un contatto casuale l'utensile in rotazione potrebbe fare presa sugli indumenti oppure sui capelli dell'operatore e potrebbe arrivare a ferire seriamente il corpo dell'operatore.
- n) **Pulire regolarmente le feritoie di ventilazione dell'elettrotensile in dotazione.** Il ventilatore del motore attira polvere nella carcassa ed una forte raccolta di polvere di metallo può provocare pericoli di origine elettrica.
- o) **Non utilizzare mai l'elettrotensile nelle vicinanze di materiali infiammabili.** Le scintille possono far prendere fuoco questi materiali.
- p) **Non utilizzare mai accessori che richiedano refrigeranti liquidi.** L'utilizzo di acqua o di altri liquidi refrigeranti può provocare una scossa di corrente elettrica.
- 2) CONTRACCOLPO E RELATIVE AVVERTENZE DI PERICOLO**
- Un contraccolpo è l'improvvisa reazione in seguito ad agganciamento oppure blocco di disco in rotazione come può essere un disco abrasivo, platorello, spazzola metallica ecc. Agganciandosi oppure bloccandosi il portautensili o accessorio provoca un arresto improvviso della rotazione dello stesso. In questo caso l'operatore non è più in grado di controllare l'elettrotensile ed al punto di blocco si provoca un rimbalzo dello stesso che avviene nella direzione opposta a quella della rotazione del portautensili o dell'accessorio.
 - Se p.es. un disco abrasivo resta agganciato o bloccato nel pezzo in lavorazione, il bordo del disco abrasivo che si abbassa nel pezzo in lavorazione può rimanere impigliato provocando in questo modo una rottura oppure un contraccolpo del disco abrasivo. Il disco abrasivo si avvicina o si allontana dall'operatore a seconda della direzione di rotazione che ha nel momento in cui si blocca. In tali situazioni è possibile che i dischi abrasivi possano anche rompersi.
 - Un contraccolpo è la conseguenza di un utilizzo non appropriato oppure non corretto dell'elettrotensile. Esso può essere evitato soltanto prendendo misure adatte di sicurezza come dalla descrizione che segue.
- a) **Tenere sempre ben saldo l'elettrotensile e portare il proprio corpo e le proprie braccia in una posizione che Vi permetta di compensare le forze di contraccolpo.** Se disponibile, utilizzare sempre l'impugnatura supplementare in modo da poter avere sempre il maggior controllo possibile su forze di contraccolpi oppure momenti di reazione che si sviluppano durante la fase in cui la macchina raggiunge il regime di pieno carico. Prendendo appropriate misure di precauzione l'operatore può essere in grado di tenere sotto controllo le forze di contraccolpo e quelle di reazione a scatti.
- b) **Mai avvicinare la propria mano alla zona degli utensili in rotazione.** Nel corso dell'azione di contraccolpo il portautensili o accessorio potrebbe passare sulla Vostra mano.
- c) **Evitare di avvicinarsi con il proprio corpo alla zona in cui l'elettrotensile viene mosso in caso di un contraccolpo.** Un contraccolpo provoca uno spostamento improvviso dell'elettrotensile che si sviluppa nella direzione opposta a quella della rotazione del disco abrasivo al punto di blocco.
- d) **Operare con particolare attenzione in prossimità di spigoli, spigoli taglienti ecc.. Avere cura di impedire che portautensili o accessori possano rimbalzare dal pezzo in lavorazione oppure possano rimanervi bloccati.** L'utensile in rotazione ha la tendenza a rimanere bloccato in angoli, spigoli taglienti oppure in caso di rimbalzo. Ciò provoca una perdita del controllo oppure un contraccolpo.
- e) **Non utilizzare seghe a catena e neppure lame dentellate.** Questo tipo di accessori provocano

spesso un contraccolpo oppure la perdita del controllo sull'elettrotensile.

3) AVVISI DI SICUREZZA SPECIFICI PER LE OPERAZIONI DI SMERIGLIATURA E DI TRONCATURA ABRASIVA

- a) **Utilizzare esclusivamente dischi abrasivi che siano esplicitamente ammessi per l'elettrotensile in dotazione e sempre in combinazione con la calotta di protezione prevista per ogni utensile abrasivo.** Dischi abrasivi che non sono previsti per l'elettrotensile non possono essere sufficientemente schermati e sono insicuri.
 - b) **Dischi abrasivi piegati a gomito devono essere montati in modo tale che la loro superficie abrasiva non sporga oltre il piano del bordo della cuffia di protezione.** Un disco abrasivo montato in modo non corretto che sporge dal piano del bordo della cuffia di protezione non può essere schermato sufficientemente.
 - c) **La calotta di protezione deve essere applicata con sicurezza all'elettrotensile e regolata in modo tale da poter garantire il massimo possibile di sicurezza, cioè, che la parte del disco abrasivo che senza protezione indica verso l'operatore deve essere ridotta al minimo possibile.** La calotta di protezione ha il compito di proteggere l'operatore da frammenti, contatto accidentale con l'utensile abrasivo e scintille che possono incendiare gli abiti.
 - d) **Dischi abrasivi possono essere utilizzati esclusivamente per le possibilità applicative esplicitamente raccomandate.** P.es.: Mai eseguire lavori di levigatura con la superficie laterale di un disco abrasivo da taglio diritto. Dischi abrasivi da taglio diritto sono previste per l'asportazione di materiale con il bordo del disco. Esercitando dei carichi laterali su questi dischi abrasivi vi è il pericolo di romperli.
 - e) **Per il disco abrasivo selezionato, utilizzare sempre flange di serraggio che siano in perfetto stato e che siano della corretta dimensione e forma.** Flange adatte hanno una funzione di corretto supporto del disco abrasivo riducendo il più possibile il pericolo di una rottura del disco abrasivo. È possibile che vi sia una differenza tra flange per dischi abrasivi da taglio diritto e flange per dischi abrasivi di altro tipo.
 - f) **Non utilizzare mai dischi abrasivi usurati previsti per elettrotensili più grandi.** Dischi abrasivi previsti per elettrotensili più grandi non sono concepiti per le maggiori velocità di elettrotensili più piccoli e possono rompersi.
- ### 4) ULTERIORI AVVERTENZE DI PERICOLO SPECIFICHE PER LAVORI DI TRONCATURA
- a) **Evitare di far bloccare il disco abrasivo da taglio diritto oppure di esercitare una pressione troppo alta. Non eseguire tagli eccessivamente profondi.** Sottoponendo il disco da taglio diritto a carico eccessivo se ne aumenta la sollecitazione e lo si rende maggiormente soggetto ad angolature improprie o a blocchi venendo così a creare il pericolo di contraccolpo oppure di rottura del disco abrasivo.
 - b) **Evitare di avvicinarsi alla zona anteriore o posteriore al disco abrasivo da taglio in rotazione.** Quando l'operatore manovra il disco da taglio diritto nel pezzo in lavorazione in direzione opposta a quella della propria persona, può capitare che in caso di un

contraccolpo il disco in rotazione faccia rimbalzare con violenza l'elettrotensile verso l'operatore.

- c) **Qualora il disco abrasivo da taglio diritto dovesse incepparsi oppure si dovesse interrompere il lavoro, spegnere l'elettrotensile e tenerlo fermo fino a quando il disco si sarà fermato completamente. Non tentare mai di estrarre il disco abrasivo dal taglio in esecuzione perché si potrebbe provocare un contraccolpo.** Rilevare ed eliminare la causa per il blocco.
- d) **Mai rimettere l'elettrotensile in funzione fintanto che esso si trovi ancora nel pezzo in lavorazione. Prima di continuare ad eseguire il taglio procedendo con la dovuta attenzione, attendere che il disco abrasivo da taglio diritto abbia raggiunto la massima velocità.** In caso contrario è possibile che il disco resti agganciato, sbalzi dal pezzo in lavorazione oppure provochi un contraccolpo.
- e) **Dotare di un supporto adatto pannelli oppure pezzi in lavorazione di dimensioni maggiori in modo da ridurre il rischio di un contraccolpo dovuto ad un disco abrasivo da taglio diritto che rimane bloccato.** Pezzi in lavorazione di dimensioni maggiori possono piegarsi sotto l'effetto del proprio peso. Provvedere a munire il pezzo in lavorazione di supporti adatti al caso specifico sia nelle vicinanze del taglio di troncatura che in quelle del bordo.
- f) **Operare con particolare attenzione in caso di «tagli dal centro» da eseguire in pareti già esistenti oppure in altre parti non visibili.** Il disco abrasivo da taglio diritto che inizia il taglio sul materiale può provocare un contraccolpo se dovesse arrivare a trancare condutture del gas o dell'acqua, linee elettriche oppure oggetti di altro tipo.

ISTRUZIONI DI SICUREZZA ULTERIORI

NOTE GENERALI

- Quest'utensile non può smerigliare/tagliare con acqua
- Usare solamente le flange fornite con questo utensile
- Questo utensile non dev'essere utilizzato da persone di età inferiore ai 16 anni
- **Rimuovere la batteria dall'utensile prima di svolgere una regolazione o sostituire un accessorio**

ACCESSORI

- La SKIL garantisce un perfetto funzionamento dell'utensile soltanto se vengono utilizzati accessori originali
- Per il montaggio/uso di accessori non di produzione SKIL, osservare le istruzioni del fabbricante interessato
- **Utilizzare soltanto dischi da smeriglio/taglio con uno spessore massimo di 6 mm e un diametro del foro dell'albero di 22 mm**
- Non usare mai riduttori/adattatori per adattarli su dischi da smeriglio/taglio di foro più grande
- Non usare mai accessori con un foro «cieco» filettato di dimensione inferiore a M14 x 21 mm
- Maneggiare e conservare con cura i dischi da smeriglio/taglio onde evitare scheggiature e rottura

PRIMA DELL'USO

- Prima di usare l'utensile per la prima volta, si raccomanda di ricevere istruzioni pratiche
- Montare sempre l'impugnatura ausiliaria E ② e il riparo di protezione F ②; non usare mai l'utensile senza di questi

- **Al fine di rilevare possibili linee di alimentazione nascoste, utilizzare adatte apparecchiature di ricerca oppure rivolgersi alla locale società erogatrice** (un contatto con linee elettriche può provocare lo sviluppo di incendi e di scosse elettriche; danneggiando linee del gas si può creare il pericolo di esplosioni; penetrando una tubazione dell'acqua si provocano seri danni materiali oppure vi è il pericolo di provocare una scossa elettrica)
- **Non lavorare mai materiali contenenti amianto** (l'amianto è ritenuto materiale cancerogeno)
- Le polveri di materiali come vernici contenenti piombo, alcune specie di legno, minerali e metallo possono essere nocive (il contatto con queste polveri o la loro inalazione possono causare reazioni allergiche e/o disturbi respiratori all'operatore o ad altre persone presenti sul posto); **indossare una maschera protettiva per la polvere e utilizzare un dispositivo per l'estrazione della polvere se è presente una presa di collegamento**
- Alcuni tipi di polvere sono classificati come cancerogeni (quali le polveri di quercia e faggio) specialmente se associate ad additivi per il trattamento del legno; **indossare una maschera protettiva per la polvere e utilizzare un dispositivo per l'estrazione della polvere se è presente una presa di collegamento**
- Rispettare le istruzioni nazionali riguardanti l'estrazione della polvere per i materiali in lavorazione
- Fare attenzione quando si tagliano delle scanalature, specialmente su muri di supporto (scanalature nei muri di supporto sono soggette a regolamenti specifici del paese; questi regolamenti devono essere osservati in tutte le circostanze)
- **Fissare il pezzo da lavorare** (un pezzo in lavorazione rimane bloccato in posizione con maggiore sicurezza se fissato con appositi dispositivi di serraggio o con una morsa e non tenendolo con la mano)
- Non serrare l'utensile in una morsa

DURANTE L'USO

- Nel caso di cattivo funzionamento elettrico o meccanico, spegnere subito l'utensile e rimuovere la batteria
- In caso di interruzione della protezione per la batteria o se la batteria viene rimossa, l'utensile non si riavvia automaticamente; per riattivare l'utensile sbloccare l'interruttore di acceso/spento e accendere nuovamente l'utensile ①

DOPO L'USO

- Dopo aver spento l'utensile, non arrestare mai la rotazione dell'accessorio applicandovi una forza laterale

BATTERIE

- **La batteria fornita è parzialmente caricata** (per garantire la piena capacità della batteria, caricarla completamente con la caricabatteria prima del primo uso dell'elettrotensile)
- **Usare solamente le batterie fornite con questo utensile**
 - Batteria SKIL: BR1*31****
 - Caricabatteria SKIL: CR1*31****
- Non usare a batteria quando è danneggiata; deve essere sostituita immediatamente
- Non smontare la batteria
- Non esporre utensile/batteria alla pioggia
- Temperatura ambientale consentita (utensile/caricabatteria/batteria):
 - in fase di ricarica 4...40°C
 - in fase d'esercizio -20...+50°C
 - in fase di stoccaggio -20...+50°C

SPIEGAZIONE DEI SIMBOLI PRESENTI SULL'UTENSILE/ BATTERIA

- ③ Leggere il manuale di istruzioni prima dell'uso
- ④ Portare occhiali di protezione e protezione dell'udito
- ⑤ Le batterie esplodono se gettate nel fuoco, pertanto non bruciare le batterie per alcun motivo
- ⑥ Riponete utensile/caricabatteria/batteria in luoghi ove non si superino i 50°C
- ⑦ Non gettare l'elettrotensile e le batterie con i rifiuti domestici

USO

- Ricarica batteria
 - ! leggere le avvertenze di sicurezza e le istruzioni fornite con il caricabatteria
- Rimozione/installazione della batteria ②
- Indicatore del livello batteria ⑧
 - premere il pulsante dell'indicatore del livello batteria L per visualizzare il livello attuale ⑧a
 - ! se il livello più basso dell'indicatore del livello batteria inizia a lampeggiare dopo aver premuto il pulsante L ⑧b, la batteria è scarica
 - ! se i 2 livelli dell'indicatore del livello batteria iniziano a lampeggiare dopo aver premuto L ⑧c, la temperatura della batteria non rientra nel campo dei valori di impiego consentiti
- Protezione per la batteria
 - L'utensile si spegne improvvisamente o non può essere acceso, quando
 - il carico è troppo alto --> rimuovere il carico e riattivare
 - la temperatura della batteria non rientra nel campo dei valori di impiego massimi di -20 e +50°C --> 2 i livelli dell'indicatore del livello batteria iniziano a lampeggiare se si preme il pulsante L ⑧c; attendere finché la batteria non è rientrata nel campo dei valori di impiego consentiti
 - la batteria è quasi scarica (per proteggerla contro la scarica profonda) --> l'indicatore del livello batteria mostra un livello batteria basso o un livello batteria lampeggiante ⑧b se si preme il pulsante L; caricare la batteria
 - ! non continuare a premere l'interruttore on/off dopo che l'utensile si è spento automaticamente: ciò potrebbe danneggiare la batteria
- Montaggio degli accessori ②
 - ! rimuovere la batteria dall'utensile
 - pulire l'albero A e tutte le parti che si devono montare
 - serrare la flangia B di bloccaggio con la chiave C mentre si spinge il tasto D di bloccaggio dell'albero
 - ! spinger il tasto D di bloccaggio dell'albero solo quando l'albero A è fermo
 - per smontare gli accessori invertire la procedura
 - ! i dischi da smeriglio/taglio si riscaldano molto durante l'uso; non toccarli fino a quando non si siano raffreddati
 - ! non usare mai il disco da smeriglio/taglio senza l'etichetta che è incollata su di esso (se disponibile)
- Montaggio dell'impugnatura ausiliaria E ④
 - ! rimuovere la batteria dall'utensile
 - avvitare l'impugnatura ausiliaria E sul lato destro, superiore o sinistro dell'utensile (a seconda del lavoro da effettuare)

- Rimozione/montaggio/regolazione del riparo di protezione F ¹⁰
 - ! **rimuovere la batteria dall'utensile**
 - ! **assicurarsi che il lato chiuso del riparo di protezione sia sempre rivolto verso l'operatore**
 - se necessario, fissare il riparo di protezione F serrando la vite G che viene già regolata al momento della fabbricazione (**accertarsi che il riparo di protezione sia ben chiuso**)
- Prima di utilizzare l'utensile
 - assicurarsi che l'accessorio sia montato correttamente e fissato saldamente
 - controllare che l'accessorio giri liberamente, facendolo ruotare con la mano
 - fare girare a vuoto l'utensile per almeno 60 secondi alla velocità massima in una posizione sicura
 - arrestare immediatamente in caso di forti vibrazioni o altri difetti e cercare di determinare la causa
- Interruttore on/off di bloccaggio J ¹¹
 - attivare l'utensile ^{11a}
 - ! **attenzione all'impatto improvviso provocato dall'attivazione dell'utensile**
 - ! **prima che l'accessorio raggiunga il pezzo in lavorazione, l'utensile deve girare a piena velocità**
 - bloccare l'interruttore ^{11b}
 - sbloccare l'interruttore/disattivare l'utensile ^{11c}
 - ! **prima di spegnere l'utensile, dovreste sollevarlo dal pezzo di lavorazione**
 - ! **l'accessorio continua a ruotare per un certo tempo dopo che l'utensile è stato spento**
- Smerigliatura ¹²
 - muovere l'utensile avanti ed indietro con moderata pressione
 - ! **non usare mai un disco da taglio per smeriglio laterale**
- Taglio ¹³
 - non inclinare l'utensile al taglio
 - muovere sempre l'utensile nella stessa direzione della freccia sulla testa dell'utensile, al fine di impedire che l'utensile venga spinto fuori dal taglio in modo non controllato
 - non applicare pressione sull'utensile; lasciare che la velocità del disco faccia il lavoro
 - la velocità di lavoro del disco da taglio dipende dal materiale da tagliare
 - non rompere i dischi da taglio con pressione laterale
- Tenuta e guida dell'utensile
 - impugnare sempre l'utensile con entrambe le mani, in modo da averne completo controllo in qualsiasi momento
 - ! **durante la lavorazione, impugnare l'utensile sempre in corrispondenza della(e) area(e) grigia(e) ¹⁴**
 - prevedere una posizione sicura
 - fare attenzione alla direzione di rotazione; mantenere sempre l'utensile in modo che scintille e polvere di smeriglio/taglio volano distante dal corpo
 - tenere scoperte le feritoie di ventilazione K ²
- Montaggio/rimozione della chiave C ¹⁵
 - applicabile solo se l'utensile viene utilizzato con l'impugnatura ausiliaria con alloggiamento per chiave

CONSIGLIO PRATICO

- Per ulteriori informazioni consultare il sito www.skil.com

MANUTENZIONE / ASSISTENZA

- Questo utensile non è inteso per un uso professionale
- Tenere sempre pulito l'utensile (soprattutto le feritoie di ventilazione K ²)
 - ! **rimuovere la batteria dall'utensile prima della pulizia**
- Se nonostante gli accurati procedimenti di produzione e di controllo l'utensile dovesse guastarsi, la riparazione va fatta effettuare da un punto di assistenza autorizzato per gli elettroutensili SKIL
 - inviare l'utensile **non smontato** assieme alle prove di acquisto al rivenditore oppure al più vicino centro assistenza SKIL (l'indirizzo ed il disegno delle parti di ricambio dell'utensile sono riportati su www.skil.com)
- Tenere presente che danni causati da sovraccarico o utilizzo improprio sono esclusi dalla garanzia (per le condizioni di garanzia SKIL, visitare il sito www.skil.com o contattare il proprio rivenditore)

TUTELA DELL'AMBIENTE

- **Non gettare l'elettroutensile, le batterie, gli accessori e l'imballaggio con i rifiuti domestici** (solo per Paesi UE)
 - secondo la Direttiva Europea 2012/19/CE sui rifiuti di utensili elettrici ed elettronici e la sua attuazione in conformità alle norme nazionali, gli elettroutensili esausti devono essere raccolti separatamente, al fine di essere reimpiagati in modo eco-compatibile
 - il simbolo ⁷ vi ricorderà questo fatto in fase di smaltimento
 - ! **prima dello smaltimento proteggere i terminali delle batterie con nastro pesante per prevenire cortocircuiti**

RUMOROSITÀ / VIBRAZIONE

- **3920**
Misurato secondo EN 60745, il livello di pressione sonora garantito di questo utensile è di 80,5 dB(A), il livello di rumorosità è di 91,5 dB(A) (incertezza K = 3 dB) e il livello delle vibrazioni nella smerigliatura di superficie 5,5 m/s² (somma vettoriale di tre direzioni; incertezza K = 1,5 m/s²)
 - ! **altre applicazioni (come il taglio) possono avere differenti valori di vibrazione**
- **3921**
Misurato secondo EN 60745, il livello di pressione sonora garantito di questo utensile è di 80,0 dB(A), il livello di rumorosità è di 91,0 dB(A) (incertezza K = 3 dB) e il livello delle vibrazioni nella smerigliatura di superficie 4,3 m/s² (somma vettoriale di tre direzioni; incertezza K = 1,5 m/s²)
 - ! **altre applicazioni (come il taglio) possono avere differenti valori di vibrazione**
- Il livello di emissione delle vibrazioni è stato misurato in conformità a un test standardizzato stabilito dalla norma EN 60745; questo valore può essere utilizzato per mettere a confronto un utensile con un altro o come valutazione preliminare di esposizione alla vibrazione quando si impiega l'utensile per le applicazioni menzionate
 - se si utilizza l'utensile per applicazioni diverse, oppure con accessori differenti o in scarse condizioni, il livello di esposizione potrebbe **umentare** notevolmente

- i momenti in cui l'utensile è spento oppure è in funzione ma non viene effettivamente utilizzato per il lavoro, possono contribuire a **ridurre** il livello di esposizione
- ! **protegersi dagli effetti della vibrazione effettuando la manutenzione dell'utensile e dei relativi accessori, mantenendo le mani calde e organizzando i metodi di lavoro**

H

Akkumulátoros sarokcsiszoló 3920/3921

BEVEZETÉS

- Ez a szerszám gép fém- és köanyagok száraz **finom** csiszolására, vágására és sorjázására szolgál
- A szerszám nem professzionális használatra készült
- **Ne fejtse ki nyomóerőt a szerszámmra; a vágókorong - sebessége folytán - szükségtelemné teszi azt**
- **A hasítókorongokkal végzett műveletek csak (az opcionális 2610S00253 (3920) / 2610S00275 (3921) SKIL tartozéként hozzáférhető) vágásvédő eszköz használatakor engedélyezettek**
- Olvassa el figyelmesen és őrizze meg a használati utasítást ③

MŰSZAKI ADATOK ①

SZERSZÁMGÉP ELEMEI ②

- A Tengely
- B Rögzítőgyűrű
- C Csavarkulcs
- D Elfordulás elleni gomb
- E Oldalfogantyú
- F Védőburkolat
- G Védőburkolat csavar
- H Szerelőgyűrű
- J Biztonsági be/ki kapcsoló
- K Szellőzőnyílások
- L Akkumulátor töltöttségi-szint jelző
- M Védőpajzs karja

BIZTONSÁG

ÁLTALÁNOS BIZTONSÁGI ELŐÍRÁSOK AZ ELEKTROMOS KÉZISZERSZÁMOKHOZ

FIGYELMEZTETÉS Olvassa el a szerszám géphez tartozó biztonsági figyelmeztetéseket, utasításokat, ábrákat és specifikációkat. Az alábbi utasítások figyelmen kívül hagyása elektromos áramütéshez, tűzhöz és/vagy súlyos balesetkez vezethet.

Őrizze meg a jövőbeli használatra is valamennyi biztonsági előírást és utasítást.

Az alább alkalmazott "elektromos kéziszerszám" fogalom a hálózati elektromos kéziszerszámokat (hálózati csatlakozó kábellel) és az akkumulátoros elektromos kéziszerszámokat (hálózati csatlakozó kábel nélkül) foglalja magában.

1) MUNKAHELYI BIZTONSÁG

- a) **Tartsa tisztán és tartsa rendben a munkahelyét.** Rendetlen munkahelyek vagy megvilágítatlan munkaterületek balesetekhez vezethetnek.
- b) **Ne dolgozzon az elektromos kéziszerszámmal olyan robbanásveszélyes környezetben, ahol éghető folyadékok, gázok vagy porok vannak.** Az elektromos kéziszerszámok szikrákat bocsáthatnak ki, amelyek meggyújthatják a port vagy a gőzöket.
- c) **Tartsa távol a gyerekeket és az idegen személyeket a munkahelytől, ha az elektromos kéziszerszámot használja.** Ha elvonják a figyelmét a munkától, könnyen elvesztheti az uralmát a berendezés felett.

2) ELEKTROMOS BIZTONSÁGI ELŐÍRÁSOK

- a) **A készülék csatlakozó dugójának bele kell illeszkednie a dugaszolóaljzatba. A csatlakozó dugót semmilyen módon sem szabad megváltoztatni. Védőföldeléssel ellátott készülékekkel kapcsolatban ne használjon csatlakozó adaptert.** A változtatás nélküli csatlakozó dugók és a megfelelő dugaszoló aljzatok csökkentik az áramütés kockázatát.
- b) **Ne érjen hozzá földelt felületekhez, mint csövekhez, fűtőtestekhez, kályhákhoz és hűtőszekrényekhez.** Az áramütési veszély megnövekszik, ha a teste le van földelve.
- c) **Tartsa távol az elektromos kéziszerszámot az esőtől és a nedvesség hatásaitól.** Ha víz hatol be egy elektromos kéziszerszámba, ez megnöveli az áramütés veszélyét.
- d) **Ne használja a kábelt a rendeltetésétől eltérő célokra, vagyis a szerszámot soha ne hordozza vagy akassza fel a kábelnél fogva, és soha ne húzza ki a hálózati csatlakozó dugót a kábelnél fogva. Tartsa távol a kábelt hőforrásoktól, olajtól, éles élektől, sarkaktól és mozgó gépkalkatrészekről.** Egy megrongálódott vagy csomókkal teli kábel megnöveli az áramütés veszélyét.
- e) **Ha egy elektromos kéziszerszámmal a szabad ég alatt dolgozik, csak a szabadban való használatra engedélyezett hosszabbítót használjon.** A szabadban való használatra engedélyezett hosszabbító használatát csökkenti az áramütés veszélyét.
- f) **Ha nem lehet elkerülni az elektromos kéziszerszám nedves környezetben való használatát, alkalmazzon egy földzárlat megszakítót.** Egy földzárlat megszakító alkalmazása csökkenti az áramütés kockázatát.

3) SZEMÉLYI BIZTONSÁGI ELŐÍRÁSOK

- a) **Munka közben mindig figyeljen, ügyeljen arra, amit csinál, és megmondoltn dolgozzon az elektromos kéziszerszámmal.** Ha fáradt, ha kábítószerek vagy alkohol hatása alatt áll, vagy orvosságokat vett be, ne használja a berendezést. A berendezéssel végzett munka közben már egy pillanatnyi figyelmetlenség is komoly sérülésekhez vezethet.
- b) **Viseljen személyi védőfelszerelést és mindig viseljen védőszemüveget.** A személyi védőfelszerelések, mint porvédő álarc, csúszásbiztos védőcipő, védősapka és fülvédő használata az elektromos kéziszerszám használata jellegének megfelelően csökkenti a személyes sérülések kockázatát.
- c) **Kerülje el a készülék akaratlan üzembe helyezését. Győződjön meg arról, hogy az elektromos**

kéziszerszám ki van kapcsolva, mielőtt bedugná a csatlakozó dugót a dugaszolóaljzatba, csatlakoztatná az akkumulátor-csomagot, és mielőtt felvinné és vinni kezdené az elektromos kéziszerszámot. Ha az elektromos kéziszerszám felemelése közben az újját a kapcsolón tartja, vagy ha a készüléket bekapcsolt állapotban csatlakoztatja az áramforráshoz, ez balesetekhez vezethet.

- d) **Az elektromos kéziszerszám bekapcsolása előtt okvetlenül távolítsa el a beállító szerszámokat vagy csavarkulcsokat.** Az elektromos kéziszerszám forgó részeiben felejtett beállító szerszám vagy csavarkulcs sérüléseket okozhat.
- e) **Ne becsülje túl önmagát. Kerülje el a normálistól eltérő testtartást, ügyeljen arra, hogy mindig biztosan álljon és az egyensúlyát megtartsa.** Így az elektromos kéziszerszám felett váratlan helyzetekben is jobban tud uralkodni.
- f) **Viseljen megfelelő ruhát. Ne viseljen bő ruhát vagy ékszerket. Tartsa távol a haját és a ruháját a mozgó részekről.** A bő ruhát, az ékszerket és a hosszú haját a mozgó alkatrészek magukkal rántathatják.
- g) **Ha az elektromos kéziszerszámra fel lehet szerelni a por elszívásához és összegyűjtéséhez szükséges berendezéseket, ellenőrizze, hogy azok megfelelő módon hozzá vannak kapcsolva a készülékhez és rendeltetésüknek megfelelően működnek.** A porgyűjtő berendezések használata csökkentheti a munka során keletkező por veszélyes hatását.
- h) **Ne hagyja, ha az elektromos kéziszerszám gyakori használata során szerzett tapasztalatok olyan önelégültté tegyék, hogy figyelmen kívül hagyja az idevonatkozó biztonsági alapelveket.** Egy gondatlan művelet egy másodperc törtrésze alatt súlyos sérüléseket okozhat.
- 4) **AZ ELEKTROMOS KÉZISZERSZÁMOK GONDOS KEZELÉSE ÉS HASZNÁLATA**
 - a) **Ne terhelje túl az elektromos kéziszerszámot. A munkájához csak az arra szolgáló elektromos kéziszerszámot használja.** Egy alkalmas elektromos kéziszerszámmal a megadott teljesítménytartományon belül jobban és biztonságosabban lehet dolgozni.
 - b) **Ne használjon olyan elektromos kéziszerszámot, amelynek a kapcsolója elromlott.** Egy olyan elektromos kéziszerszám, amelyet nem lehet sem be-, sem kikapcsolni, veszélyes és meg kell javíttatni.
 - c) **Húzza ki a csatlakozó dugót a dugaszolóaljzataból és/vagy távolítsa el az akkumulátor-csomagot (ha az leválasztható) az elektromos kéziszerszámtól, mielőtt az elektromos kéziszerszámon beállítási munkákat végez, tartozékokat cserél vagy a szerszámot tárolásra elteszi.** Ez az elővigyázatossági intézkedés meggátolja a szerszám akaratlan üzembe helyezését.
 - d) **A használaton kívüli elektromos kéziszerszámokat olyan helyen tárolja, ahol azokhoz gyerekek ne férhess nek hozzá. Ne hagyja, hogy olyan személyek használják az elektromos kéziszerszámot, akik nem ismerik a szerszámot, vagy nem olvasták el ezt az útmutatót.** Az elektromos kéziszerszámok veszélyesek, ha azokat gyakorlatlan személyek használják.
 - e) **Az elektromos kéziszerszámot és tartozékait gondosan tartsa karban. Ellenőrizze, hogy a**

mozgó alkatrészek kifogástalanul működnek-e, nincsenek-e beszorulva, és nincsenek-e eltörve vagy megrongálódva olyan alkatrészek, amelyek hatással lehetnek az elektromos kéziszerszám működésére. **A megrongálódott részeket a készülék használatá előtt javíttassa meg.** Sok olyan baleset történik, amelyet az elektromos kéziszerszám nem kielégítő karbantartására lehet visszavezetni.

- f) **Tartsa tisztán és éles állapotban a vágószerszámokat.** Az éles vágóélekkel rendelkező és gondosan ápolat vágószerszámok ritkábban ékelődnek be és azokat könnyebben lehet vezetni és irányítani.
- g) **Az elektromos kéziszerszámokat, tartozékoknak betétszerszámokat stb. csak ezen előírásoknak használja.** Vegye figyelembe a munkafeltételeket és a kivitelezendő munka sajátosságait. Az elektromos kéziszerszám eredeti rendeltetésétől eltérő célokra való alkalmazása veszélyes helyzetekhez vezethet.
- h) **Tartsa szárazon, tisztán és olaj- és zsírmentes állapotban a fogantyúkat és markoló felületeket.** A csúszós fogantyúk és markoló felületek váratlan helyzetekben lehetetlenné teszik az elektromos kéziszerszám biztonságos kezelését és irányítását.
- 5) **AZ AKKUMULÁTOROS KÉZISZERSZÁMOK GONDOS KEZELÉSE ÉS HASZNÁLATA**
 - a) **Az akkumulátort csak a gyártó által ajánlott töltőkészülékekben töltsé fel.** Ha egy bizonyos akkumulátortípus feltöltésére szolgáló töltőkészülékben egy másik akkumulátort próbál feltölteni, tűz keletkezhet.
 - b) **Az elektromos kéziszerszámban csak az ahhoz tartozó akkumulátort használja.** Más akkumulátorok használata személyi sérüléseket és tüzet okozhat.
 - c) **Tartsa távol a használaton kívüli akkumulátort irodai kapcsolóktól, pénzérméktől, kulcsoktól, szögektől, csavaroktól és más kisméretű fémtárgyaktól, amelyek áthidalhatják az érintkezőket.** Az akkumulátor érintkezői közötti rövidzárlat égési sérüléseket vagy tüzet okozhat.
 - d) **Hibás alkalmazás esetén az akkumulátorból folyadék léphet ki. Kerülje el az érintkezést a folyadékkal. Ha véletlenül mégis érintkezésbe jutott az akkumulátorfolyadékkal, azonnal öblítse le vízzel az érintett felületet. Ha a folyadék a szemébe jutott, keressen fel ezen kívül egy orvost.** A kilépő akkumulátorfolyadék irritációkat vagy égéses bőrsérüléseket okozhat.
 - e) **Sohase használjon egy akkumulátor csomagot, ha az megrongálódott, vagy ha változtatásokat hajtottak végre rajta.** A megrongálódott vagy megváltoztatott akkumulátorok előreláthatatlan módon viselkedhetnek, amely tűzhöz, robbanáshoz vagy sérülésveszélyhez vezet.
 - f) **Ne tegye ki az akkumulátor csomagokat tűz, vagy extrém hőmérsékletek hatásának.** Ha az akkumulátort tűznek, vagy 130°C-ot meghaladó hőmérsékletnek teszi ki, ez robbanást okozhat.
 - g) **Tartsa be valamennyi töltési előírást és ne töltsé fel az akkumulátort, ha annak a hőmérséklete az utasításokban megadott hőmérséklet tartományon kívül van.** Az akkumulátor nem megfelelő módon, vagy a megdott hőmérséklet tartományon kívüli feltöltése megrongálhatja az akkumulátort és megnövelheti a tűzveszélyt.

6) SZERVIZ

- a) **Az elektromos kéziszerszámot csak szakképzett személyeztet és csak eredeti pótalkatrészek felhasználásával javíthatja.** Ez biztosítja, hogy az elektromos kéziszerszám biztonságos szerszám maradjon.
- b) **Sohase szervizeljen megrongálódott akkumulátor csomagokat.** Az akkumulátor csomagokat csak a gyártónak, vagy az erre feljogosított szolgáltatóknak szabad szervizelniük.

SAROKCSISZOLÓK BIZTONSÁGI ELŐÍRÁSAI

1) KÖZÖS FIGYELMEZTETŐ TÁJÉKOZTATÓ A CSISZOLÁSHOZ, CSISZOLÓPAPIRRAL ÉS DRÓTKEFÉVEL VÉGZETT MUNKÁKHOZ, POLÍROZÁSHOZ ÉS DARABOLÁSHOZ

- a) **Ez az elektromos kéziszerszám csiszológépként és daraboló csiszológépként használható. Ügyeljen minden figyelmeztető jelzésre, előírásra, ábrára és adatra, amelyet az elektromos kéziszerszámmal együtt megkapott.** Ha nem tartja be a következő előírásokat, akkor ez áramütéshez, tűzhoz és/vagy súlyos személyi sérülésekhez vezethet.
 - b) **A szerszámot nem javasoljuk csiszolásra, drótkorongozásra és polírozásra műveletekre.** A szerszám nem tervezett módon történő használata veszélyes lehet, személyi sérüléssel járhat.
 - c) **Ne használjon olyan tartozékokat, amelyeket a gyártó ehhez az elektromos kéziszerszámhoz nem irányzott elő és nem javasolt.** Az a tény, hogy a tartozékok rögzíteni tudja az elektromos kéziszerszámra, nem garantálja annak biztonságos alkalmazását.
 - d) **A betétszerszám megengedett fordulatszámának legalább akkorának kell lennie, mint az elektromos kéziszerszámon megadott legnagyobb fordulatszám.** A megengedettnél gyorsabban forgó tartozékok szétörhetnek.
 - e) **A betétszerszám külső átmérőjének és vastagságának meg kell felelnie az Ön elektromos kéziszerszámán megadott méreteknek.** A hibásan méretezett betétszerszámokat nem lehet megfelelően eltakarni, vagy irányítani.
 - f) **A menetes betétellátott betétszerszám menetének meg kell felelnie az orsó menetének. A karima segítségével befogásra kerülő betétszerszámok esetén a betétszerszám furatátmérőjének pontosan meg kell felelnie a karima befogási átmérőjének.** Az olyan betétszerszámok, amelyek nem kerülnek pontosan rögzítésre az elektromos kéziszerszámhoz, egyenletlenül forognak, erősen berezegnek és a készülék feletti uralom megszűnéséhez vezethetnek.
 - g) **Ne használjon megrongálódott betétszerszámokat. Vizsgálja meg minden egyes használat előtt a betétszerszámokat: ellenőrizze, nem pattogzott-e le és nem repedt-e meg a csiszolókorong, nincse-e eltörve, megrepedve, vagy nagy mértékben elhasználódva a csiszoló tányér, nincsenek-e a drótkéfében kilazult, vagy eltörött drótok. Ha az elektromos kéziszerszám vagy a betétszerszám leesik, vizsgálja felül, nem rongálódott-e meg, vagy használjon egy hibátlan betétszerszámot.**
- Miután ellenőrizte, majd behelyezte a készülékbe a betétszerszámot, tartózkodjon Ön saját maga és minden más a közelben található személy is a forgó betétszerszám síkján kívül és járassa egy percig az elektromos kéziszerszámot a legnagyobb fordulatszámmal. A megrongálódott betétszerszámok ezalatt a próbaidő alatt általában már szétörnek.
- h) **Viseljen személyi védőfelszerelést. Használjon az alkalmazásnak megfelelő teljes védőálarcot, szemvédőt vagy védőeszműveget. Amennyiben célszerű, viseljen porvédő álarcot, zajtompító fülvédőt, védő kesztyűt vagy különleges kötényt, amely távol tartja a csiszolószerszám- és anyagrészcsekket.** Mindenképpen védje meg a szemét a kirepülő idegen anyagoktól, amelyek a különböző alkalmazások során keletkeznek. A porvagy védőálarcnak meg kell szűrnie a használat során keletkező port. Ha hosszú ideig ki van téve az erős zaj hatásának, elvesztheti a hallását.
 - i) **Ügyeljen arra, hogy a többi személy biztonságos távolságban maradjon az Ön munkaterületétől. Minden olyan személynek, aki belép a munkaterületre, személyi védőfelszerelést kell viselnie.** A munkadarab letört részei vagy a szétört betétszerszámok kirepülhetnek és a közvetlen munkaterületen kívül is személyi sérülést okozhatnak.
 - j) **Az elektromos kéziszerszámot csak a szigetelt fogantyúfelületéknél fogva tartsa, ha olyan munkát végez, amelynek során a berendezés feszültség alatt áll, kívülről nem látható vezetékekhez érhet.** Ha a berendezés egy feszültség alatt álló vezetékhez ér, az elektromos kéziszerszám fémrészei szintén feszültség alá kerülhetnek és ez áramütéshez vezethet.
 - k) **Tartsa távol a hálózati csatlakozó kábelét a forgó betétszerszámoktól.** Ha elveszíti az uralmát az elektromos kéziszerszám felett, az átvághatja, vagy bekaphatja a hálózati csatlakozó kábelét és az Ön keze vagy karja is a forgó betétszerszámhoz érhet.
 - l) **Sohase tegye le az elektromos kéziszerszámot, mielőtt a betétszerszám teljesen leállna.** A forgásban lévő betétszerszám megérintheti a támasztó felületet, és Ön ennek következtében könnyen elvesztheti az uralmát az elektromos kéziszerszám felett.
 - m) **Ne járassa az elektromos kéziszerszámot, miközben azt a kezében tartja.** A forgó betétszerszám egy véletlen érintkezés során bekaphatja a ruháját és a betétszerszám belefűrődhat a testébe.
 - n) **Tisztítsa meg rendszeresen az elektromos kéziszerszáma szellőzőnyílásait.** A motor ventilátóra beszívja a port a házba, és nagyobb mennyiségű fémpor felhalmozódása elektromos veszélyekhez vezethet.
 - o) **Ne használja az elektromos kéziszerszámot éghető anyagok közelében.** A szikrák ezeket az anyagokat meggyújthatják.
 - p) **Ne használjon olyan betétszerszámokat, amelyek alkalmazásához folyékony hűtőanyagra van szükség.** Víz és egyéb folyékony hűtőanyagok alkalmazása áramütéshez vezethet.
- ## 2) VISSZARÚGÁS ÉS MEGFELELŐ FIGYELMEZTETŐ TÁJÉKOZTATÓK
- A visszarúgás a beékelődő vagy leblokkoló forgó betétszerszám, például csiszolókorong, csiszoló tányér, drótkéfe stb. hirtelen reakciója. A beékelődés vagy

leblokkolás a forgó betétszám hirtelen leállításához vezet. Ez az irányítatlan elektromos kéziszerszámot a betétszámoknak a leblokkolási ponton fennálló forgási irányával szembeni irányban felgyorsítja.

- Ha például egy csiszolókorong beékelődik, vagy leblokkol a megmunkálásra kerülő munkadarabban, a csiszolókorongnak a munkadarabra bemerülő éle leáll és így a csiszolókorong kiugorhat vagy egy visszarúgást okozhat. A csiszolókorong ekkor a korongnak a leblokkolási pontban fennálló forgásirányától függően a kezelő személy felé, vagy attól távolodva mozog. A csiszolókorongok ilyenkor el is törhetnek.
 - Egy visszarúgás az elektromos kéziszerszám hibás vagy helytelen használatának következménye. Ezt az alábbiakban leírásra kerülő megfelelő óvatossági intézkedésekkel meg lehet gátolni.
- a) **Tartsa szorosan fogva az elektromos kéziszerszámot, és hozza a testét és a karjait olyan helyzetbe, amelyben fel tudja venni a visszarúgó erőt. Használja mindig a pótfogantyút, amennyiben létezik, hogy a lehető legjobban tudjon uralakodni a visszarúgási erők, illetve felfutáskor a reakciós nyomaték felett.** A kezelő személy megfelelő óvatossági intézkedésekkel uralakodni tud a visszarúgási és reakcióerők felett.
 - b) **Sohase vigye a kezét a forgó betétszám közelébe.** A betétszám egy visszarúgás esetén a kezéhez érhet.
 - c) **Kerülje el a testével azt a tartományt, ahová egy visszarúgás az elektromos kéziszerszámot mozgatja.** A visszarúgás az elektromos kéziszerszámot a csiszolókorongnak a leblokkolási pontban fennálló forgásirányával ellentétes irányba hajtja.
 - d) **A sarkok és élek közelében különösen óvatosan dolgozzon, akadályozza meg, hogy a betétszám lapattanjon a munkadaragról, vagy beékelődjön a munkadarabra.** A forgó betétszám a sarkoknál, éleknél és lapattanás esetén könnyen beékelődik. Ez a készülék feletti uralom elvesztéséhez, vagy egy visszarúgáshoz vezet.
 - e) **Ne használjon fafűrészlapot, vagy fogazott fűrészlapot.** Az ilyen betétszámok gyakran visszarúgáshoz vezetnek, vagy a kezelő elvesztheti az uralmát az elektromos kéziszerszám felett.
- 3) **KÜLÖN FIGYELMEZTETÉSEK ÉS TÁJÉKOZTATÓ A CSISZOLÁSHOZ ÉS DARABOLÁSHOZ**
 - a) **Kizárólag az Ön elektromos kéziszerszámához engedélyezett csiszolótesteket és az ezen csiszolótestekhez előírányzott védőbúrákat használja.** A nem az elektromos kéziszerszámhoz szolgáló csiszolótesteket nem lehet kielégítő módon letakarni és ezért ezek nem biztonságosak.
 - b) **A peremes csiszolókorongokat úgy kell felszerelni, hogy a csiszolófelületük ne álljon ki a védőburkolat szélének a síkjából.** Egy szakszerűtlenül felszerelt csiszolókorongot, amely kiáll a védőburkolat szélésnek a síkjából, nem lehet kielégítő módon letakarni.
 - c) **A védőbúrát biztonságosan kell felszerelni az elektromos kéziszerszáma és úgy kell beállítani, hogy az a lehető legnagyobb biztonságot nyújtsa, vagyis a csiszolótestnek csak a lehető legkisebb része mutasson a kezelő felé.** A védőbúrának meg kell óvnia a kezelőt a letörött, kirepülő daraboktól, a

csiszolótest véletlen megérintésétől és a szikráktól, melyek felgyújthatják az öltözékét.

- d) **A csiszolótesteket csak az azok számára javasolt célokra szabad használni.** Például: Sohase csiszoljon egy hasítókorong oldalsó felületével. A hasítókorongok arra vannak méretezve, hogy az anyagot a korong élével munkálják le. Az ilyen csiszolótestek ható oldalirányú erő a csiszolótest töréséhez vezethet.
 - e) **Használjon mindig hibátlan, az Ön által választott csiszolókorongnak megfelelő méretű és alakú befogókarimát.** A megfelelő karimák megtámasztják a csiszolókorongot és így csökkentik a csiszolókorong eltörésének veszélyét. A hasítókorongokhoz szolgáló karimák különbözhetnek a csiszolókorongok számára szolgáló karimáktól.
 - f) **Ne használjon nagyobb elektromos kéziszerszámokhoz szolgáló elhasználadott csiszolótesteket.** A nagyobb elektromos kéziszerszámokhoz szolgáló csiszolókorongok nincsenek a kisebb elektromos kéziszerszámok magasabb fordulatszámára méretezve és szététérhetnek.
- 4) **TOVÁBBI KÜLÖNLEGES FIGYELMEZTETŐ TÁJÉKOZTATÓ A DARABOLÁSHOZ**
 - a) **Kerülje el a hasítókorong leblokkolását, és ne gyakoroljon túl erős nyomást a készülékre. Ne végezzen túl mély vágást.** A túlterhelés megnöveli a csiszolótest igénybevételét és beékelődési vagy leblokkolási hajlamát és visszarúgáshoz vagy a csiszolótest töréséhez vezethet.
 - b) **Kerülje el a forgó hasítókorong előtti és mögötti tartományt.** Ha a hasítókorongot a munkadarabban magától eltávolodva mozgatja, akkor az elektromos kéziszerszám a forgó koronggal visszarúgás esetén közvetlenül Ön felé pattan.
 - c) **Ha a hasítókorong beékelődik, vagy ha Ön megszakítja a munkát, kapcsolja ki az elektromos kéziszerszámot és tartsa azt nyugodtan, amíg a korong teljesen leáll. Sohase próbálja meg kihúzni a még forgó hasítókorongot a vágásból, mert ez visszarúgáshoz vezethet.** Határozza meg és hárítsa el a beékelődés okát.
 - d) **Addig ne kapcsolja ismét be az elektromos kéziszerszámot, amíg az még benne van a munkadarabban. Várja meg, amíg a hasítókorong eléri a teljes fordulatszámát, mielőtt óvatosan folytatná a vágást.** A korong ellenkező esetben beékelődhet, kiugorhat a munkadarabból, vagy visszarúgáshoz vezethet.
 - e) **Támassza fel a lemezeket vagy nagyobb munkadarabokat, hogy csökkentse egy beékelődő hasítókorong következtében fellépő visszarúgás kockázatát.** A nagyobb munkadarabok saját súlyuk alatt meghajolhatnak. A munkadarabot mindkét oldalán, és mind a vágási vonal közelében, mind a szélénél alá kell támasztani.
 - f) **Ha egy meglévő falban, vagy más be nem látható területen hoz létre „táska alakú beszűrést”, járjon el különös óvatossággal.** Az anyagba behatoló hasítókorong gáz- vagy vízvezetékbe, elektromos vezetékbe vagy más tárgyakra ütközhet, amelyek visszarúgást okozhatnak.

KIEGÉSZÍTŐ BIZTONSÁGI ELŐÍRÁSOK

ÁLTALÁNOS TUDNIVALÓK

- Ez a készülék nedves csiszolási/vágási munkálatokhoz nem használható
- Csak a szerszámmal együtt szállított gyűrűket használja
- A készüléket csak 16 éven felüli személyek használják
- **Vegye ki az akkumulátort a szerszámot, mielőtt beállításokat végezne vagy tartozékcseré előtt**

TARTOZÉKOK

- SKIL cég kizárólag eredeti alkatrészek és kiegészítők alkalmazása esetén tudja garantálni a gép problémamentes működését
- Ha nem SKIL-tartozékokat szerel fel/használ, az adott gyártó előírásait tartsa be
- **Használon maximum 6 mm vastagságú és 22 mm tengelyfurat-átmérőjű csiszoló- vagy vágókorongot**
- A nagy lyukméretű csiszoló- / vágókorongokat alkalmazása érdekében tilos fordulatszám-csökkentő áttételt vagy rátétet használni
- Tilos olyan tartozékot használni, melynek zárt menetes lyukmérete kisebb mint M14 x 21 mm
- A csiszoló-/vágókorongokat a lepatogzás és a megrepedés megelőzése érdekében óvatosan kezelje és tárolja

HASZNÁLAT ELŐTT

- A szerszámgép legelső alkalommal történő használata előtt ajánlott gyakorlati tájékoztatást kérni
- Mindig szerelje fel az E ② es oldalfogantyút és az F ② es védőpajzsot; a szerszámgépet soha se használja ezek nélkül
- **A rejtett vezetékek felkutatásához használjon alkalmas fémkereső készüléket, vagy kérje ki a helyi energiaellátó vállalat tanácsát** (ha egy elektromos vezetékeket a berendezéssel megérint, ez tűzhez és áramütéshez vezethet; egy gázvezeték megrongálása robbanást eredményezhet; egy vízvezetékbe való behatolás anyagi károkhöz és áramütéshez vezethet)
- **Ne munkáljon meg a berendezéssel azbesztes tartalmú anyagokat** (az azbesztesnek rákkeltő hatása van)
- Az anyagból származó por, mint például az ólomot, néhány fafajtát, ásványi anyagokat és fémeket tartalmazó festékek, káros lehet (a por érintése vagy belégzése allergiás reakciókat és/vagy légzőszervi betegségeket okozhat a kezelő, illetve a közelben állók esetében); **viseljen pormaszkot és amennyiben csatlakoztatható, dolgozzon porelszívó berendezéssel**
- Bizonyos porfajták rákkeltő besorolással rendelkeznek (ilyen például a tölgy- és a bükkfa pora), különösen a fa kondicionálására szolgáló adalékokkal együtt; **viseljen pormaszkot és amennyiben csatlakoztatható, dolgozzon porelszívó berendezéssel**
- Kövesse a por kezelésével kapcsolatos helyi előírásokat azon termékekkel kapcsolatban, amellyel dolgozni kíván
- Hornyok vésésekor legyen óvatos, különösen tartófalak esetében (a teherhordó falakba vésethöz résekre országra változó előírások érvényesek; ezeket az előírásokat minden helyzetben feltétlenül be kell tartani)
- **Rögzítse a munkadarabot** (befogókészülékkel vagy satuval befogott munkadarabot sokkal biztonságosabban lehet rögzíteni mint a kézzel tartottat)
- A gépet tilos satuba fogni

HASZNÁLAT KÖZBEN

- Normálístól eltérő működés valamint szokatlan, idegen hangok esetén a készüléket azonnal kapcsolja ki és a távolítsa el az akkumulátort
- Az akkumulátor védelmét szolgáló kikapcsolás esetén vagy ha eltávolították az akkumulátort, a szerszám nem indul újra magától. Az újraindításhoz oldja fel a be-/kikapcsoló gombot és kapcsolja be ismét a szerszámot ①

A HASZNÁLATOT KÖVETŐEN

- Miután kikapcsolta a gépet, a tartozék forgását sose annak síkjára merőleges erővel állítsa meg

AKKUMULÁTOR

- **A biztosított akkumulátor részlegesen töltött** (az akkumulátor teljes kapacitásának biztosításához teljes töltöttségi állapotig töltsen azt a kéziszerszám első használatát megelőzően)
- **Csak a következő akkumulátorokkal és töltőkkel használja a szerszámot**
 - SKIL akkumulátor: BR1*31****
 - SKIL töltő: CR1*31****
- A hibás akkumulátor ne használja, hanem cserélje ki
- Ne szerelje szét az akkumulátort
- A gépet/akkumulátort óvja az esőtől
- Megengedett környezeti hőmérséklet (szerszám/töltő készülék/akkumulátor):
 - a töltés során 4...40°C
 - az üzemeltetés során -20...+50°C
 - a tárolás során -20...+50°C

A KÉSZÜLÉKEN/AKKUMULÁTORON TALÁLHATÓ SZIMBÓLUMOK MAGYARÁZATA

- ③ Használat előtt olvassa el a használati utasítást
- ④ Viseljen védőszemüveget és zaj elleni fülvédőt
- ⑤ Ha az akkumulátorok tűzbe kerülnek, akkor felrobbanhatnak, ezért semmilyen okból ne égesse el az akkumulátorokat
- ⑥ A gépet/töltőkészüléket/akkumulátort ne tárolja 50°C feletti helyiségben
- ⑦ Ne dobja az elektromos kéziszerszámokat és elemek a háztartási szemétkébe

KEZELÉS

- Az akkumulátor töltése
! olvassa el a töltővel kapott biztonsági figyelmeztetéseket és utasításokat
- Akkumulátorok eltávolítása/telepítése ②
- Akkumulátor töltöttségi-szint jelző ⑧
 - nyomja meg az akkumulátor töltöttségi szintjét jelző gombot L az aktuális akkumulátorszint kijelzéséhez ⑧a
- **! amikor a L ⑧b gomb megnyomása után a legalacsonyabb akkumulátor töltöttség jelző villog, az akkumulátor lemerült**
! ha a 2 akkumulátor töltöttségi szintet jelző indikátor elkezd villogni a L ⑧c gomb megnyomása után, az akkumulátor hőmérséklete a megengedett működési tartományon kívül van
- Az akkumulátor védelme
A gép hirtelen kikapcsol vagy nem lehet visszakapcsolni, ha
 - a **teher túl nagy** --> távolítsa el a terhet és kezdje újra
 - az **akkumulátor hőmérséklete nem a megengedett -20 és +50 °C működési tartományon belül van** --> a 2 akkumulátor töltöttségi szintet jelző indikátor elkezd

villogni a L ^③c gomb megnyomása után; várja meg, míg az akkumulátor hőmérséklete ismét a megengedett működési tartományon belül van

- **az akkumulátor majdnem teljesen lemerült/üres (mély kisülés elleni védelem)** --> ^⑧b alacsony akkumulátor töltöttséget vagy villogó akkumulátor töltöttséget jelez az indikátor, ha megnyomja a L gombot; töltsse fel az akkumulátort

! **ha a készülék automatikusan kikapcsolt, ne próbálja nyomogatni a be/kikapcsoló gombot, mert az akkumulátor megsérülhet**

• Tartozékok felszerelése ^②

! **vegye ki az akkumulátort a szerszámot**

- tisztítsa meg az A jelű tengelyt és az összes felszerelendő alkatrészt

- szorítsa meg a B jelű rögzítőgyűrűt a C jelű tartozék kulccsal, és közben nyomja meg a D jelű, elfordulás elleni gombot

! **csak akkor nyomja meg a D jelű, elfordulás elleni gombot, amikor az A jelű tengely mozdulatlanul áll**

- tartozékok levételéhez fordított sorrendben ismételje meg az előző lépéseket

! **használat közben a csiszoló-/vágókorongok nagyon felmelegednek; ne érintse meg őket, míg le nem hűltek**

! **tilos olyan csiszoló-/vágókorongot használni, melyről hiányzik a címke, melyet a korongra ragasztanak (amennyiben létezik)**

• Az oldalfogantyú E felszerelése ^④

! **vegye ki az akkumulátort a szerszámot**

- csavarozza az E jelű oldalfogantyút a gép jobb vagy bal oldalára, esetleg a tetejére (az elvégzendő munkától függően)

• A védőpajzs F eltávolítása/felszerelése/beállítása ^⑩

! **vegye ki az akkumulátort a szerszámot**

! **gondoskodjon arról, hogy a védőpajzs zárt fele mindig a működtető személy felé álljon**

- szükség esetén, az G csavar, -mert az gyárilag került előbeállításra-, meghúzásával az F védőpajzsot rögzítsük (**ügyeljen, hogy a védőpajzs zárva legyen**)

• Mielőtt üzembe helyezné a gépet

- ellenőrizze, hogy a tartozék helyesen legyen felszerelve, valamint a csavarokkal megfelelően rögzítve legyenek

- kézzel ellenőrizze, hogy a vágótárcsa szabadon mozogjon

- egy próba bekapcsolást végezzen el úgy, hogy a gép legalább 60 másodpercig a legmagasabb fordulatszámra terhelés nélkül üzemeljen biztonságos körülmények között

- erős vibrálásnál vagy más hibák észlelésekor gépet rögtön kapcsolja ki és ellenőrizze a gép előírásnak megfelelően került üzemeltetésre

• Biztonsági be/kikapcsoló J ^⑪

- kapcsolja be a gépet ^⑪a

! **ügyeljen arra, hogy bekapcsoláskor a készülék visszaránt**

! **mielőtt a készüléket a munkadarabra/ba vezetné, várja meg, amíg a motor a maximális fordulatszámot eléri**

- rögzítse a kapcsolót ^⑪b

- feloldja a rögzítést/kapcsolja ki a gépet ^⑪c

! **kikapcsolás előtt készülékét távolítsa el a munkadarabtól**

! **a gép kikapcsolása után a tárcsa egy pár másodpercig tovább forog**

• Csiszolás ^⑫

- a szerszámra mérsékelt nyomást kifejtve mozgassa azt előre-hátra

! **tilos vágókorongot használni oldalélek csiszolására**

• Vágás ^⑬

- vágáskor ne döntse meg a szerszámgépet

- a gépet mindig a szerszámfejen látható nyíl irányába mozgassa, így előzhető meg az, hogy a gép a vágási résből ellenőrizetlen módon kilökődjön

- ne fejtsen ki nyomóerőt a szerszámra; a vágókorong sebessége folytán - szükségtelemé teszi azt

- a vágókorong sebessége a vágandó anyagtól függ

- tilos a vágókorongokat oldalirányból kifejtett nyomással fékezni

• A gép vezetése és tartása

- a gépet mindig mindkét kézzel erősen fogva tartsa, hogy így mindenkor teljesen ellenőrzése alatt legyen a gép

! **munka közben mindvégig tartsa gépet a szürke színű markolati terület(ek)en** ^⑭

- gondoskodjon szilárd támaszról

- figyeljen a forgás irányára; mindig úgy tartsa a gépet, hogy a szikrák és a csiszolási/vágási por öntől elfelé repüljön

- a szellőzőnyílásokat K ^② mindig tartsa szabadon

• Csavarkulcs felszerelése/eltávolítása C ^⑮

- csak abban az esetben, ha a műveletet beépített csavarkulcs-tárolóval ellátott kiegészítő fogantyúval végzik

HASZNÁLAT

• A további információkért lásd a www.skil.com oldalt

KARBANTARTÁS / SZERVIZ

• A szerszám nem professzionális használatra készült

• Mindig tartsa tisztán a gépet (különös tekintettel a szellőzőnyílásokra K ^②)

! **távolítsa el az akkumulátort a tisztítás előtt**

• Ha a gép a gondos gyártási és ellenőrzési eljárás ellenére egyszer mégis meghibásodna, akkor a javítással csak SKIL elektromos kéziszerszám-műhely ügyfélszolgálatát szabad megbízni

- küldje az **összeszerelt** gépet a vásárlást bizonyító számlával együtt a kereskedő vagy a legközelebbi SKIL szervizállomás címére (a címlista és a gép szervizdiagramja a www.skil.com címen található)

• Vegye figyelembe, hogy a garancia nem fedli le a túlterhelés és a gép helytelen használata miatt okozott károkat (a SKIL garanciális feltételeit elolvashatja a www.skil.com oldalon, vagy kérdezze meg kereskedőjét)

KÖRNYEZET

• **Az elektromos kéziszerszámokat, elemek, tartozékokat és csomagolást ne dobja a háztartási szemétkébe** (csak EU-országok számára)

- a használt villamos és elektronikai készülékekről szóló 2012/19/EK irányelv és annak a nemzeti jogba való átültetése szerint az elhasznált elektromos kéziszerszámokat külön kell gyűjteni, és környezetbarát módon újra kell hasznosítani

- erre emlékeztet a ⑦ jelzés, amennyiben felmerül az intézkedésre való igény

! az akkumulátor hatástalanítása előtt az akkumulátor végélt erős szalaggal biztosítsuk, hogy a kúszóáramokat kiküszöbölhessük

ZAJ / REZGÉS

• 3920

Az EN 60745-es szabványnak megfelelően végzett mérés szerint a szerszám hangnyomása 80,5 dB(A), hangerőszintje 91,5 dB(A) (bizonytalanság $K = 3$ dB), a felületcsiszolás alatti vibráció pedig $5,5 \text{ m/s}^2$ (háromtengelyű vektor összege; bizonytalanság $K = 1,5 \text{ m/s}^2$)

! más felhasználásoknál (mint pl. vágás) lehetséges más vibrációs érték

• 3921

Az EN 60745-es szabványnak megfelelően végzett mérés szerint a szerszám hangnyomása 80,0 dB(A), hangerőszintje 91,0 dB(A) (bizonytalanság $K = 3$ dB), a felületcsiszolás alatti vibráció pedig $4,3 \text{ m/s}^2$ (háromtengelyű vektor összege; bizonytalanság $K = 1,5 \text{ m/s}^2$)

! más felhasználásoknál (mint pl. vágás) lehetséges más vibrációs érték

• A rezgés-kibocsátási szint mérése az EN 60745 szabványban meghatározott szabványosított teszttel összhangban történik; ez egy eszköznek egy másik eszközzel történő összehasonlítására, illetve a rezgésnek való kitétség előzetes felmérésére használható fel az eszköznek az említett alkalmazásokra történő felhasználása során

- az eszköznek eltérő alkalmazásokra, vagy eltérő, illetve rosszul karbantartott tartozékokkal történő felhasználása jelentősen **emelheti** a kitétség szintjét
- az idő, amikor az eszköz ki van kapcsolva, vagy amikor ugyan működik, de ténylegesen nem végez munkát, jelentősen **csökkentheti** a kitétség szintjét

! az eszköz és tartozékai karbantartásával, kezének melegen tartásával, és munkavégzésének megszervezésével védje meg magát a rezgések hatásaitól

CZ

Bezdrátová úhlová bruska 3920/3921 ÚVOD

- Tento nástroj je určen k **lehké** broušení, řezání a odstraňování ořepů kovových a kamenných materiálů bez použití vody
- Tento nástroj není určen k profesionálnímu použití
- **Na nástroj nevyvíjejte tlak; nechejte účinkovat rychlost řezného kotouče**
- **Řezání pomocí brusných kotoučů pro odřezávání je povoleno pouze tehdy, pokud je používán ochranný kryt (k dostání jako dodatečné příslušenství SKIL 2610S00253 (3920) / 2610S00275 (3921))**
- Tento návod s pokyny si pečlivě přečtěte a uschovejte ③

TECHNICKÁ DATA ①

SOUČÁSTI NÁSTROJE ②

- A Vřeteno
- B Upínací příruba
- C Maticový klíč
- D Tlačítko k zajištění vřetena
- E Pomocná rukojeť
- F Ochranný kryt
- G Ochranného krytu šroubu
- H Montážní příruba
- J Zajišťovací spínač zapnuto/vypnuto
- K Větrací šterbiny
- L Indikátor akumulátoru
- M Páka ochranného krytu

BEZPEČNOST

OBEČNÉ BEZPEČNOSTNÍ POKYNY PRO ELEKTRONÁŘADÍ

VAROVÁNÍ Přečtěte si veškerá bezpečnostní upozornění, pokyny, obrázky a technické údaje, které jsou s tímto elektrickým nástrojem dodávány. Nedodržení všech níže uvedených pokynů může vést k úrazu elektrickým proudem, požáru a/nebo vážnému zranění.

Všechny pokyny a výstrahy uchovejte pro budoucí potřeby.

Ve varovných upozorněních použitý pojem "elektronářadí" se vztahuje na elektronářadí provozované na el. síti (se síťovým kabelem) a na elektronářadí provozované na akumulátoru (bez síťového kabelu).

1) BEZPEČNOST PRACOVNÍHO MÍSTA

- Udržujte Vaše pracovní místo čisté a uklizené.** Nepořádek nebo neosvětlené pracovní oblasti mohou vést k úrazům.
- Se strojem nepracujte v prostředích ohrožených explozí, kde se nacházejí hořlavé kapaliny, plyny nebo prach.** Elektronářadí vytváří jiskry, které mohou prach nebo páry zapálit.
- Děti a jiné osoby udržujte při použití elektronářadí daleko od Vašeho pracovního místa.** Při rozptýlení můžete ztratit kontrolu nad strojem.

2) ELEKTRICKÁ BEZPEČNOST

- Připojovací zástrčka stroje musí lícovat se zásuvkou. Zástrčka nesmí být žádným způsobem upravena. Společně se stroji s ochranným uzemněním nepoužívejte žádné adaptérové zástrčky.** Neupravené zástrčky a vhodné zásuvky snižují riziko elektrického úderu.
- Zabraňte kontaktu těla s uzemněnými povrchy, jako např. potrubí, topení, sporáky a chladničky.** Je-li Vaše tělo uzemněno, existuje zvýšené riziko elektrického úderu.
- Chraňte stroj před deštěm a vlhkem.** Vniknutí vody do elektrického stroje zvyšuje nebezpečí elektrického úderu.
- Dbejte na účel kabelu, nepoužívejte jej k nošení či zavěšení stroje nebo vytažení zástrčky ze zásuvky. Udržujte kabel daleko od tepla, oleje, ostrých hran nebo pohyblivých dílů stroje.** Poškozené nebo spletené kabely zvyšují riziko elektrického úderu.

- e) **Pokud pracujete s elektronářadím venku, použijte pouze takové prodlužovací kabely, které jsou schváleny i pro venkovní použití.** Použití prodlužovacího kabelu, jež je vhodný pro použití venku, snižuje riziko elektrického úderu.
- f) **Pokud se nelze vyhnout provozu elektronářadí ve vlhkém prostředí, použijte ochranný jistič.** Nasazení ochranného jističe snižuje riziko úderu elektrickým proudem.
- 3) **BEZPEČNOST OSOB**
- a) **Buďte pozorní, dávejte pozor na to, co děláte a přistupujte k práci s elektronářadím rozumně. Stroj nepoužívejte pokud jste unaveni nebo pod vlivem drog, alkoholu nebo léků.** Moment nepozornosti při použití elektronářadí může vést k vážným poraněním.
- b) **Noste osobní ochranné pomůcky a vždy ochranné brýle.** Nošení osobních ochranných pomůcek jako maska proti prachu, bezpečnostní obuv s protiskluzovou podrážkou, ochranná přilba nebo sluchátka, podle druhu nasazení elektronářadí, snižují riziko poranění.
- c) **Zabraňte neúmyslnému uvedení do provozu. Přesvědčte se, že je elektronářadí vypnuté dříve než jej uchopíte, poneseťe či připojíte na zdroj proudu a/ nebo akumulátor.** Máte-li při nošení elektronářadí prst na spínači nebo pokud stroj připojíte ke zdroji proudu zapnutý, pak to může vést k úrazům.
- d) **Než stroj zapnete, odstraňte seřizovací nástroje nebo šroubovák.** Nástroj nebo klíč, který se nachází v otáčivém dílu stroje, může vést k poranění.
- e) **Nepřečeňte se. Zajistěte si bezpečný postoj a vždy udržujte rovnováhu.** Tím můžete stroj v neočekávaných situacích lépe kontrolovat.
- f) **Noste vhodný oděv. Nenoste žádný volný oděv nebo šperky. Vlasy a oděv udržujte daleko od pohybujících se dílů.** Volný oděv, šperky nebo dlouhé vlasy mohou být zachyceny pohybujícími se díly.
- g) **Lze-li namontovat odsávací či zachycující přípravky, přesvědčte se, že jsou připojeny a správně použity.** Použití odsávací prachu může snížit ohrožení prachem.
- h) **Dbejte na to, abyste při častém používání nářadí nebyli méně ostražití a nezapomínali na bezpečnostní zásady.** Nedbalé ovládání může způsobit těžké poranění za zlomek sekundy.
- 4) **SVĚDOMITÉ ZACHÁZENÍ A POUŽÍVÁNÍ ELEKTRONÁŘADÍ**
- a) **Stroj nepřetěžujte. Pro svou práci použijte k tomu určený stroj.** S vhodným elektronářadím budete pracovat v dané oblasti výkonu lépe a bezpečněji.
- b) **Nepoužívejte žádné elektronářadí, jehož spínač je vadný.** Elektronářadí, které nelze zapnout či vypnout je nebezpečné a musí se opravit.
- c) **Než provedete seřízení stroje, výměnu dílů příslušenství nebo stroj odložíte, vytáhněte zástrčku ze zásuvky a/nebo odstraňte odpojitelny akumulátor.** Toto preventivní opatření zabrání neúmyslnému zapnutí stroje.
- d) **Uchovávejte nepoužívané elektronářadí mimo dosah dětí. Nenechte stroj používat osobám, které se strojem nejsou seznámeny nebo nečetly tyto pokyny.** Elektronářadí je nebezpečné, je-li používáno nezkušenými osobami.
- e) **Pečujte o elektronářadí a příslušenství svědomitě.** Zkontrolujte, zda pohyblivé díly stroje bezvadně fungují a nevzpříčují se, zda díly nejsou zlomené

nebo poškozené tak, že je omezena funkce stroje. Poškozené díly nechte před nasazením stroje opravit. Mnoho úrazů má příčinu ve špatně udržovaném elektronářadí.

- f) **Řezné nástroje udržujte ostré a čisté.** Pečlivě ošetřované řezné nástroje s ostrými řeznými hranami se méně vzpříčují a dají se lehčeji vést.
- g) **Používejte elektronářadí, příslušenství, nasazovací nástroje apod. podle těchto pokynů. Respektujte přítom pracovní podmínky a prováděnou činnost.** Použití elektronářadí pro jiné než určující použití může vést k nebezpečným situacím.
- h) **Udržujte rukojeti a úchytné plochy suché, čisté a bez oleje a maziva.** Kluzké rukojeti a úchytné plochy neumožňují bezpečnou manipulaci a ovládání nářadí v neočekávaných situacích.
- 5) **SVĚDOMITÉ ZACHÁZENÍ A POUŽÍVÁNÍ AKUMULÁTOROVÉHO NÁŘADÍ**
- a) **Akumulátory nabíjejte pouze v nabíječce, která je doporučena výrobcem.** Pro nabíječku, která je vhodná pro určitý druh akumulátorů, existuje nebezpečí požáru, je-li používána s jinými akumulátory.
- b) **Do elektronářadí používejte pouze k tomu určené akumulátory.** Použití jiných akumulátorů může vést k poraněním a požárům.
- c) **Nepoužívaný akumulátor uchovávejte mimo kancelářské sponky, mince, klíče, hřebíky, šrouby nebo jiné drobné kovové předměty, které mohou způsobit přemostění kontaktů.** Zkrat mezi kontakty akumulátoru může mít za následek opálení nebo požár.
- d) **Při špatném použití může z akumulátoru vytéci kapalina. Zabraňte kontaktu s ní. Při náhodném kontaktu opláchněte místo vodou. Pokud kapalina vnikne do očí, navštivte navíc i lékaře.** Vytékající akumulátorová kapalina může způsobit podráždění pokožky nebo popálení.
- e) **Nepoužívejte akumulátor nebo nářadí, které jsou poškozené nebo upravené.** Poškozené nebo upravené akumulátory se mohou chovat nepředvídaně a způsobit požár, výbuch nebo poranění.
- f) **Nevystavujte akumulátor nebo nářadí ohni nebo nadměrné teplotě.** Vystavení ohni nebo teplotě nad 130°C může způsobit výbuch.
- g) **Dodržujte všechny pokyny pro nabíjení a nenabíjejte akumulátor nebo nářadí mimo teplotní rozsah uvedený v pokynech.** Nesprávné nabíjení nebo nabíjení při teplotách mimo uvedený rozsah může poškodit akumulátor a zvýšit riziko požáru.
- 6) **SERVIS**
- a) **Nechte Váš stroj opravit pouze kvalifikovaným odborným personálem a pouze s originálními náhradními díly.** Tím bude zajištěno, že bezpečnost stroje zůstane zachována.
- b) **Nikdy neprovádějte servis poškozených akumulátorů.** Servis akumulátorů by měl provádět pouze výrobce nebo autorizovaná opravna.

BEZPEČNOSTNÍ PŘEDPISY PRO ÚHLOVÉ BRUSKY

- 1) **SPOLEČNÁ VAROVNÁ UPOZORNĚNÍ K BROUŠENÍ, SMIRKOVÁNÍ, K PRACEM S DRÁTĚNÝMI KARTÁČI, LEŠTĚNÍ A DĚLENÍ**
- a) **Toto elektronářadí se používá jako bruska a dělicí bruska. Dbejte všech varovných upozornění,**

- pokynů, zobrazení a údajů, jež jste s elektronářadím obdrželi.** Pokud následující pokyny nedodržíte, může to vést k úderu elektrickým proudem, požáru nebo těžkým poraněním.
- b) **Nedoporučujeme používat toto elektronářadí k broušení, kartáčování ani leštění.** Činnosti, k jejichž provádění nebylo toto elektronářadí určeno, mohou způsobit nebezpečné situace a zranění osob.
 - c) **Nepoužívejte žádné příslušenství, které není výrobcem pro toto elektronářadí speciálně určeno a doporučeno.** Pouze to, že můžete příslušenství na Vaše elektronářadí upevnit, nezaručuje bezpečné použití.
 - d) **Dovolené otáčky nasazovacího nástroje musí být nejméně tak vysoké jako nejvyšší otáčky uvedené na elektronářadí.** Příslušenství, jež se otáčí rychleji než je dovoleno, může být zničeno.
 - e) **Vnější rozměr a tloušťka nasazovacího nástroje musí odpovídat rozměrům údajům Vašeho elektronářadí.** Špatně dimenzované nasazovací nástroje nemohou být dostatečně stíněny nebo kontrolovány.
 - f) **Nasazovací nástroje se závitovou vložkou musejí přesně lícovat na závit brusného vřetene. U nasazovacích nástrojů, jež jsou montované prostřednictvím příruby, musí průměr otvoru nasazovacího nástroje lícovat na upínací průměr příruby.** Nasazovací nástroje, které nejsou na elektronářadí upevněné přesně, se nerovnoměrně otáčejí, velmi silně vibrují a mohou vést ke ztrátě kontroly.
 - g) **Nepoužívejte žádné poškozené nasazovací nástroje. Zkontrolujte před každým použitím nasazovací nástroje jako brusné kotouče na odštěpky a trhliny, brusné talíře na trhliny, ořet nebo silně opotřebené, drátěné kartáče na uvolněné nebo zlomené dráty. Spadne-li elektronářadí nebo nasazovací nástroj z výšky, zkontrolujte zda není poškozený nebo použijte nepoškozený nasazovací nástroj. Pokud jste nasazovací nástroj zkontrolovali a nasadili, držte se Vy a v blízkosti nacházející se osoby mimo rovinu rotujícího nasazovacího nástroje a nechte elektronářadí běžet jednu minutu s nejvyššími otáčkami.** Poškozené nasazovací nástroje většinou v této době testování prasknou.
 - h) **Noste osobní ochranné vybavení. Podle aplikace použijte ochranu celého obličje, ochranu očí nebo ochranné brýle. Taktéž adekvátně noste ochrannou masku proti prachu, ochranu sluchu, ochranné rukavice nebo speciální zástěru, jež Vás ochrání před malými částicemi brusiva a materiálu. Oči mají být chráněny před odletujícími cizími tělisky, jež vznikají při různých nasazeních. Protiprachová maska či respirátor musejí při nasazení vznikající prach odfiltrovat. Pokud jste dlouho vystaveni silnému hluku, můžete utrpět ztrátu sluchu.**
 - i) **Dbejte u ostatních osob na bezpečnou vzdálenost k Vaší pracovní oblasti. Každý, kdo vstoupí do této pracovní oblasti, musí nosit osobní ochranné vybavení.** Úlomky obrobku nebo zlomené nasazovací nástroje mohou odlétnout a způsobit poranění i mimo přímou pracovní oblast.
 - j) **Pokud provádíte práce, při kterých může nástroj zasáhnout skrytá elektrická vedení, pak držte elektronářadí pouze za izolovanou část.** Kontakt s vedením pod napětím může přivést napětí i na kovové díly elektronářadí a vést k úderu elektrickým proudem.
- k) **Držte síťový kabel daleko od otáčejících se nasazovacích nástrojů.** Když ztratíte kontrolu nad elektronářadím, může být přerušeno nebo zachyceno síťový kabel a Vaše paže nebo ruka se může dostat do otáčejícího se nasazovacího nástroje.
 - l) **Nikdy neodkládejte elektronářadí dříve, než se nasazovací nástroj dostal zcela do stavu klidu.** Otáčející se nasazovací nástroj se může dostat do kontaktu s odkládací plochou, čímž můžete ztratit kontrolu nad elektronářadím.
 - m) **Nenechte elektronářadí běžet po dobu, co jej nesete.** Váš oděv může být náhodným kontaktem s otáčejícím se nasazovacím nástrojem zachycen a nasazovací nástroj se může zavrtat do Vašeho těla.
 - n) **Čistěte pravidelně větrací otvory Vašeho elektronářadí.** Ventilátor motoru vtahuje do tělesa prach a silně nahromadění kovového prachu může způsobit elektrická rizika.
 - o) **Nepoužívejte elektronářadí v blízkosti hořlavých materiálů.** Jiskry mohou tyto materiály zapálit.
 - p) **Nepoužívejte žádné nasazovací nástroje, které vyžadují kapalnou chladicí prostředky.** Použití vody nebo jiných kapalných chladicích prostředků může vést k úderu elektrickým proudem.
- ## 2) ZPĚTNÝ RÁZ A ODPOVÍDÁJÍCÍ VAROVNÁ UPOZORNĚNÍ
- Zpětný ráz je náhlá reakce v důsledku zaseknutého nebo zablokovaného otáčejícího se nasazovacího nástroje, jako je brusný kotouč, brusný talíř, drátěný kartáč atd. Zaseknutí nebo zablokování vede k náhlému zastavení rotujícího nasazovacího nástroje. Tím nekontrolované elektronářadí akceleruje v místě zablokování proti směru otáčení nasazovacího nástroje.
 - Pokud se např. přičí nebo blokuje brusný kotouč v obrobku, může se hrana brusného kotouče, která se zanořuje do obrobku, zakousnout a tím brusný kotouč vylomit nebo způsobit zpětný ráz. Brusný kotouč se potom pohybuje k nebo od obsluhující osoby, podle směru otáčení kotouče na místě zablokování. Při tom mohou brusné kotouče i prasknout.
 - Zpětný ráz je důsledek nesprávného nebo chybného použití elektronářadí. Lze mu zabránit vhodnými preventivními opatřeními, jak je následně popsáno.
- a) **Držte elektronářadí dobře pevně a dejte Vaše tělo a paže do polohy, ve které můžete zachytit síly zpětného rázu. Je-li k dispozici, použijte vždy přidavnou rukojeť, abyste měli co největší možnost kontroly nad silami zpětného rázu nebo reakčních momentů při rozběhu.** Obsluhující osoba může vhodnými preventivními opatřeními zvládnout síly zpětného rázu a reakčního momentu.
 - b) **Nedávejte Vaši ruku do blízkosti otáčejících se nasazovacích nástrojů.** Nasazovací nástroj se při zpětném rázu může pohybovat přes Vaši ruku.
 - c) **Vyhýbejte se Vaším tělem oblasti, kam se bude elektronářadí při zpětném rázu pohybovat.** Zpětný ráz vhná elektronářadí v místě zablokování do opačného směru k pohybu brusného kotouče.
 - d) **Zvlášť opatrně pracujte v místech rohů, ostrých hran apod. Zabraňte, aby se nasazovací nástroj odrazil od obrobku a vzpříčil.** Rotující nasazovací nástroj je u rohů, ostrých hran a pokud se odrazí náhylný na vzpříčení se. Toto způsobí ztrátu kontroly nebo zpětný ráz.

- e) **Nepoužívejte žádný článkový nebo ozubený pilový kotouč.** Takovéto nasazovací nástroje způsobují často zpětný ráz nebo ztrátu kontroly nad elektronářadím.
- 3) **BEZPEČNOSTNÍ VAROVÁNÍ SPECIFICKÁ PRO BROUŠENÍ A BRUSNÉ ODŘEZÁVÁNÍ**
- a) **Používejte výhradně pro Vaše elektronářadí schválená brusná tělesa a pro tato brusná tělesa určený ochranný kryt.** Brusná tělesa, která nejsou určena pro toto elektronářadí, nemohou být dostatečně stíněna a jsou nespolehlivá.
- b) **Zalomené brusné kotouče musejí být namontované tak, aby svou brusnou plochou nepřechýlily nad rovinou okraje ochranného krytu.** Nesprávně namontovaný brusný kotouč, který vychází nad rovinu okraje ochranného krytu, nemůže být dostatečně chráněn.
- c) **Ochranný kryt musí být bezpečně na elektronářadí namontován a nastaven tak, aby bylo dosaženo maximální míry bezpečnosti, tzn. nejmenší možný díl brusného tělesa ukazuje nekrytý k obsluhující osobě.** Ochranný kryt má obsluhující osobu chránit před úlomky, případným kontaktem s brusným tělesem a jiskrami, které mohou zapálit oděv.
- d) **Brusná tělesa smějí být použita pouze pro doporučené možnosti nasazení.** Např. nikdy nebruste boční plochu dělicího kotouče. Dělicí kotouče jsou určeny k úběru materiálu hranou kotouče. Boční působení síly na tato brusná tělesa je může rozlámat.
- e) **Používejte vždy nepoškozené upínací příruby ve správné velikosti a tvaru pro Vámi zvolený brusný kotouč.** Vhodné příruby podpiřají brusný kotouč a zmiřují tak nebezpečí prasknutí brusného kotouče. Příruby pro dělicí kotouče se mohou odlišovat od přírub pro jiné brusné kotouče.
- f) **Nepoužívejte žádné opotřebované brusné kotouče od většího elektronářadí.** Brusné kotouče pro větší elektronářadí nejsou konstruovány pro vyšší otáčky menších elektronářadí a mohou prasknout.
- 4) **DALŠÍ ZVLÁŠTNÍ VAROVÁNÍ UPOZORNĚNÍ K DĚLENÍ**
- a) **Zabraňte blokování dělicího kotouče nebo příliš vysokému přítlaku. Neprovádějte žádné nadměrné hluboké řezy.** Přetížení dělicího kotouče zvyšuje jeho namáhání a náchylnost ke vzpříčení nebo zablokování a tím možnost zpětného rázu nebo prasknutí brusného tělesa.
- b) **Vyhýbejte se oblasti před a za rotujícím dělicím kotoučem.** Pokud pohybuje dělicím kotoučem v obrobku pryč od sebe, může být v případě zpětného rázu elektronářadí s otáčejícím se kotoučem vymrštno přímo na Vás.
- c) **Jestliže se dělicí kotouč přičí nebo práci přerušíte, elektronářadí vypněte a vydržte v klidu než se kotouč zastaví. Nikdy se nepokoušejte ještě běžící dělicí kotouč vytáhnout z řezu, jinak může následovat zpětný ráz.** Zjistěte a odstraňte příčinu uvíznutí.
- d) **Elektronářadí opět nezapínejte, dokud se nachází v obrobku. Nechte dělicí kotouč nejprve dosáhnout svých plných otáček, než budete v řezu opatrně pokračovat.** Jinak se může kotouč vzpříčit, vyskočit z obrobku nebo způsobit zpětný ráz.
- e) **Desky nebo velké obrobky podepřete, aby se zabránilo riziku zpětného rázu od sevřeného dělicího kotouče.** Velké obrobky se mohou pod svou

vlastní hmotností prohnout. Obrobek musí být podepřen na obou stranách a to jak v blízkosti dělicího řezu tak i na okraji.

- f) **Budte obzvláště opatrní u "kapsovitých řezů" do stávajících stěn nebo jiných míst, kam není vidět.** Zanořující se dělicí kotouč může při zařazení do plynových, vodovodních či elektrických vedení nebo jiných objektů způsobit zpětný ráz.

DOPLŇKOVÉ BEZPEČNOSTNÍ PŘEDPISY

OBECNĚ

- Nářadí není vhodné k broušení/řezání za mokra
- Používejte pouze příruby dodávané s tímto nástrojem
- Tento nástroj nesmí používat osoby mladší 16 let
- **Před nastavením nebo výměnou příslušenství vždy vytáhněte akumulátor**

PŘÍSLUŠENSTVÍ

- SKIL zajistí bezvadnou funkci nářadí pouze tehdy, používáte-li původní značkové
- Při montáži nebo používání jiného příslušenství než značky SKIL se řište pokyny daného výrobce
- **Používejte pouze brusné/řezné kotouče o maximální tloušťce 6 mm a průměru otvoru většena 22 mm**
- K nasazení brusných/řezných kotoučů s velkými otvory nikdy nepoužívejte redukce ani adaptéry
- Nikdy nepoužívejte příslušenství se "slepým" závitovým otvorem menším než M14 x 21 mm
- S brusnými/řeznými kotouči manipulujte a skladujte je opatrně, zabráněte tak jejich vylamování a praskání

PŘED POUŽITÍM

- Před prvním použitím nástroje doporučujeme získání praktických informací
- Vždy připevněte pomocnou rukojeť E ② a ochranný kryt F ②; bez nich nástroj nikdy nepoužívejte
- **Použíjte vhodné hledací přístroje k vyhledání skrytých přívodních vedení nebo přizvěte místní dodavatelskou společnost** (kontakt s el. vedením může vést k požáru a elektrickému úderu; poškození plynového vedení může vést k explozi; proniknutí do vodovodního potrubí může způsobit věcné škody nebo elektrický úder)
- **Nepracováváte žádný materiál obsahující azbest** (azbest je karcinogenní)
- Prach z látek, jako jsou barvy obsahující olovo, některé druhy dřeva, minerály a kovy, může být škodlivý (kontakt s prachem nebo jeho vdechnutí může způsobit alergickou reakci a/nebo vyvolat respirační choroby u obsluhy nebo přihlížejících); **noše protiprachovou masku a pracujte se zařízením na odsávání prachu, pokud je možné jej připojit**
- Některé druhy prachu jsou klasifikovány jako karcinogenní (například dubový a bukový prach) zejména ve spojení s přísadami pro úpravu dřeva; **noše protiprachovou masku a pracujte se zařízením na odsávání prachu, pokud je možné jej připojit**
- Dodržujte stanovená nařízení pro práci v prašném prostředí
- Při vyřezávání drážek předevdím do nosných zdí buďte opatrní (drážky v nosných stěnách se řídí specifickými předpisy konkrétní země; tyto předpisy je nutno za všech okolností dodržovat)
- **Zajistěte obráběný díl** (obráběný díl uchycený pomocí upínacích zařízení nebo ve svěráku je mnohem bezpečnější než v ruce)
- Neupínejte nástroj do svěráku

BĚHEM POUŽITÍ

- V případě atypického chování nebo cizích hluků ihned vypněte nářadí a vyjměte akumulátor
- Při sepnutí ochrany akumulátoru nebo při vyjmutí baterie se nástroj sám nespustí znovu; pro opětné spuštění nástroje uvolněte spínač vypnuto/zapnuto a zapněte nástroj znovu ⑪

PO POUŽITÍ

- Po vypnutí nástroje nikdy nezastavujte otáčení příslušenství tlakem ze strany

AKUMULÁTORY

- **Dodávaný akumulátor je částečně nabitý** (v zájmu zajištění maximální kapacity akumulátoru jej před prvním použitím vašeho elektronástroje úplně dobijte v nabíječce)
- **Používejte pouze následující akumulátory a nabíječky dodávané s tímto nástrojem**
 - Akumulátor SKIL: BR1*31****
 - Nabíječka SKIL: CR1*31****
- Poškozený akumulátor nepoužívejte, nahrad'te jej novým
- Akumulátor nerozebírejte
- Nevystavujte nástroj/akumulátor dešti
- Povolena teplota prostředí (nářadí/nabíječka/akumulátor):
 - při nabíjení 4...40°C
 - při provozu -20...+50°C
 - při skladování -20...+50°C

VYSVĚTLENÍ SYMBOLŮ NA NÁSTROJI/BATERII

- ③ Před použitím si přečtěte návod k použití
- ④ Noste ochranné brýle a ochranu sluchu
- ⑤ Baterie při vhození do ohně explodují, proto je nikdy nevhazujte do otevřeného plamene
- ⑥ Nářadí/nabíječ/akumulátor ukládejte na vhodné, suché a zajištěné místo, v prostorách s teplotou maximálně 50°C
- ⑦ Nevyhazujte elektrické nářadí a baterie do komunálního odpadu

OBSLUHA

- Nabíjení akumulátorů
 - ! přečtěte si bezpečnostní upozornění a pokyny, které byly dodány spolu s nabíječkou
- Vyjmutí/instalace akumulátoru ②
- Indikátor akumulátoru ⑧
 - stiskněte tlačítko indikátoru akumulátoru L, aby ukazovalo aktuální úroveň nabití ⑧a
 - ! když po stisknutí tlačítka L ⑧b začne blikat nejnižší úroveň indikátoru akumulátoru, akumulátor je vypnutý
 - ! když úrovně 2 indikátoru akumulátoru začnou blikat po stisknutí tlačítka L ⑧c, akumulátor není v rozsahu přípustných provozních teplot
- Ochrana baterie
 - Nářadí se najednou vypne nebo mu je zabráněno v zapnutí, když
 - je zátěž příliš vysoká --> odstraňte zátěž a proveďte restart
 - teplota akumulátoru není v rozsahu přípustných provozních teplot -20 až +50 °C --> úrovně 2 indikátoru akumulátoru začnou blikat po stisknutí tlačítka L ⑧c; počkejte, dokud se akumulátor nevrátí do rozsahu přípustných provozních teplot
 - Akumulátor je téměř vybitý (ochrana před přílišným vybitím) --> při stisknutí tlačítka L indikátor akumulátoru zobrazí nízkou úroveň baterie nebo blikající nízkou úroveň akumulátoru ⑧b; vyměňte akumulátor

! po automatickém vypnutí nástroje netiskněte vypínač; mohlo by dojít k poškození akumulátoru

- Připevnění příslušenství ②
 - ! vytáhněte akumulátor z nářadí
 - vyčistěte vřeteno A a všechny části, které mají být připevněny
 - při stisknutém zajišťovacím tlačítku vřetena D utáhněte pomocí klíče C upínací přírubu B
 - ! zajišťovací tlačítko vřetena D stiskněte pouze tehdy, je-li vřeteno A v klidu
 - při odstraňování příslušenství postupujte obráceně
 - ! brusné/řezné kotouče se během používání velmi zahřívají; nedotýkejte se jich, dokud nevychladnou
 - ! nikdy nepoužívejte brusný/řezný kotouč bez štítku, který je na něj přilepený (je-li k dispozici)
- Připevnění pomocné rukojeti E ③
 - ! vytáhněte akumulátor z nářadí
 - našroubujte pomocnou rukojet E na pravou, horní nebo levou stranu nástroje (podle druhu práce, kterou budete provádět)
- Odstranění/připevnění/seřizování ochranného krytu F ⑩
 - ! vytáhněte akumulátor z nářadí
 - ! zajištěte, aby uzavřená strana ochranného krytu směřovala vždy k obsluhující osobě
 - v případě potřeby, upevněte ochranný kryt F utažením šroubu G, který byl předem nastaven v továrně (ujistěte se, že je ochranný kryt uzavřen)
- Před použitím nářadí
 - ujistěte se, že kotouč je správně usazen a pevně utažen
 - překontrolujte, zda se kotouč volně neprotáčí
 - bezpečně vyzkoušejte chod nářadí spuštěním alespoň na 60 vteřin v nejvyšším výkonu bez zatížení
 - okamžitě nářadí vypněte v případě velké vibrace nebo jiné závady, překontrolujte nářadí k zamezení těchto závad
- Zajišťovací spínač "zapnuto/vypnuto" J ⑪
 - zapněte nářadí ⑪a
 - ! dejte pozor na reakci nářadí při zapnutí motoru
 - ! nástroj přikládejte k obrobku až po dosažení maximálních otáček
 - zajištěte spínač ⑪b
 - uvolnění arétace/vypněte nářadí ⑪c
 - ! před vypnutím nářadí nejprve odejměte od obrobku
 - ! po vypnutí nářadí kotouč pokračuje v otáčivém pohybu, vyčkejte proto do úplného zastavení kotouče
- Broušení ⑫
 - pohybujte nástrojem dozadu a dopředu pod mírným tlakem
 - ! pro boční broušení nikdy nepoužívejte řezný kotouč
- Řezání ⑬
 - nenakláňejte nástroj při řezání
 - nástrojem vždy pohybujte ve směru šipky na vřeteníku nástroje, aby nedošlo k nekontrolovanému vyklouznutí nástroje ze zářezu
 - na nástroj nevyvíjejte tlak; nechejte účinkovat rychlost řezného kotouče
 - pracovní rychlost řezného kotouče závisí na řezaném materiálu
 - nebrzděte řezné kotouče tlakem ze strany

- Držení a vedení nástroje
 - nástroj držte vždy pevně oběma rukama, jen tak budete mít v každém okamžiku nad nástrojem plnou kontrolu
 - ! při práci vždy držte nástroj v šedě zbarvené oblasti rukojeti 14**
 - zaujměte bezpečný postoj
 - dávejte pozor na směr otáčení; držte nástroj vždy tak, aby jiskry a brusný nebo řezný prach létaly směrem od těla
 - udržujte větrací štěrbiny K 2 nezakryté
- Montážní/demontážní klíč C 15
 - platí, jen pokud má nástroj pomocnou rukojeť se zabudovanou schránkou na klíč

NÁVOD K POUŽITÍ

- Další informace najdete na www.skil.com

ÚDRŽBA / SERVIS

- Tento nástroj není určen k profesionálnímu použití
- Nástroj udržujte vždy čistý (zejména větrací štěrbiny K 2)
- ! před montáží vyjměte akumulátor z nástroje**
- Pokud dojde i přes pečlivou výrobu a náročné kontroly k poruše nástroje, svěřte provedení opravy autorizovanému servisnímu středisku pro elektronářadí firmy SKIL
 - zašlete nástroj **nerozebraný** spolu s potvrzením o nákupu své prodejně nebo nejbližšímu servisnímu značce SKIL (adresy a servisní schema nástroje najdete na www.skil.com)
- Uvědomte si, že na poškození způsobené přetížením nebo nesprávným zacházením se nevztahuje záruka (záruční podmínky společnosti SKIL najdete na adrese www.skil.com nebo se obraťte na prodejce)

ŽIVOTNÍ PROSTŘEDÍ

- **Elektrické nářadí, baterie, doplňky a balení nevyhazujte do komunálního odpadu** (jen pro státy EU)
 - podle evropské směrnice 2012/19/EG o nakládání s použitými elektrickými a elektronickými zařízeními a odpovídajících ustanovení právních předpisů jednotlivých zemí se použitá elektrická nářadí, musí sbírat odděleně od ostatního odpadu a podrobit ekologicky šetrnému recyklování
 - symbol 7 na to upozorňuje
 - ! u vyřazených akumulátorů zakryjte kontakty izolační páskou, zabráníte tím plazivým proudům**

HLUČNOSTI / VIBRACÍ

- **3920**

Při měření v souladu s normou EN 60745 je hladina akustického tlaku tohoto nástroje 80,5 dB(A), hladina hlučnosti 91,5 dB(A) (nepřesnost K = 3 dB) a vibrace broušení povrchu 5,5 m/s² (celkové hodnoty vibrací; nepřesnost K = 1,5 m/s²)

! ostatní aplikace (jako např. vyřezávání) mohou udávat jiné hodnoty vibrací
- **3921**

Při měření v souladu s normou EN 60745 je hladina akustického tlaku tohoto nástroje 80,0 dB(A), hladina hlučnosti 91,0 dB(A) (nepřesnost K = 3 dB) a vibrace

broušení povrchu 4,3 m/s² (celkové hodnoty vibrací; nepřesnost K = 1,5 m/s²)

! ostatní aplikace (jako např. vyřezávání) mohou udávat jiné hodnoty vibrací

- Úroveň vibrací byla měřena v souladu se standardizovaným testem podle EN 60745; je možné ji použít ke srovnání jednoho přístroje s druhým a jako předběžné posouzení vystavování se vibracím při používání přístroje k uvedeným aplikacím
 - používání přístroje k jiným aplikacím nebo s jiným či špatně udržovaným příslušenstvím může zásadně **zvýšit** úroveň vystavení se vibracím
 - doba, kdy je přístroj vypnutý nebo kdy běží, ale ve skutečnosti není využíván, může zásadně **snížit** úroveň vystavení se vibracím
- ! chraňte se před následky vibrací tak, že budete dbát na údržbu přístroje a příslušenství, budete si udržovat teplé ruce a uspořádáte si své pracovní postupy**

TR

Akülü taşlama makinesi 3920/3921 GİRİŞ

- Bu alet, su kullanmadan metal ve taş malzemeleri **hafif taşlamak**, kesmek ve çapaklarını almak üzere tasarlanmıştır
- Bu alet profesyonel kullanıma yönelik değildir
- **Araca bir baskı uygulamayın; kesme diskinin hızının isini yapmasını bekleyin**
- **Kesici taşlama uçları ile yapılacak kesme işlemlerine, yalnızca bir kesme koruyucu (opsiyonel SKIL aksesuarı olarak mevcuttur 2610S00253 (3920) / 2610S00275 (3921)) kullanıldığında izin verilir**
- Bu kullanma kılavuzunu okuyun ve saklayın 3

TEKNİK VERİLER 1

ALET BİLEŞENLERİ 2

- A Mil
- B Sıkma kulağı
- C Anahtar
- D Mil kilitleme düğmesi
- E Yedek tutamak
- F Koruyucu
- G Koruyucu vidayı
- H Montaj kulağı
- J Açma/kapama kilitleme şalteri
- K Havalandırma uvaları
- L Batarya şarj süre göstergesi
- M Koruyucu başlık kolu

GÜVENLİK

GENEL ELEKTRİK EL ALETİ GÜVENLİK UYARILARI

UYARI Bu elektrikli alet ile birlikte verilen tüm uyarıları, talimatları, resimleri ve özelliklerini okuyun. Aşağıda listelenen talimatların tamamına uyulmaması durumunda elektrik çarpması, yangın ve/veya ciddi yaralanmalar meydana gelebilir.

Tüm uyarı ve talimatları ileride kullanmak üzere saklayın.

Uyarı ve talimat hükümlerinde kullanılan "elektrikli el aleti" kavramı, akım şebekesine bağlı (şebeke bağlantı kablosu ile) aletlerle akü ile çalışan aletleri (akım şebekesine bağlantısı olmayan aletler) kapsamaktadır.

1) ÇALIŞMA YERİ GÜVENLİĞİ

- Çalıştığınız yeri temiz ve düzenli tutun.** Düzensizlik veya yetersiz aydınlatma kazalara neden olabilir.
- Yanıcı sıvıların, gazların veya tozların bulunduğunu patlama tehlikesi olan yer ve mekânlarda aletle çalışmayın.** Elektrikli el aletleri, toz veya buharların tutuşmasına veya yanmasına neden olan kıvılcıklar çıkarırlar.
- Elektrikli el aletiyle çalışırken çocukları ve başkalarını çalışma alanınızın dışında tutun.** Yakınıınızda bulunan kişiler dikkatinizi dağıtabilir ve bu da alet üzerindeki kontrolünüzü kaybetmenize neden olabilir.

2) ELEKTRİKSEL GÜVENLİK

- Aletin bağlantı fişi prize uymalıdır. Fişi hiçbir şekilde değiştirmeyin. Koruyucu topraklamalı aletlerle adaptörlü fiş kullanmayın.** Değiştirilmemiş, orijinal fiş ve uygun prizler elektrik çarpması tehlikesini azaltır.
- Borular, kalorifer tesisatı, ısıtıcılar ve buzdolapları gibi topraklanmış yüzeylerle bedensel temasa geçmekten kaçının.** Eğer bedeniniz topraklanacak olursa yüksek bir elektrik çarpması tehlikesi ortaya çıkar.
- Aleti yağmur ve nemden koruyun.** Elektrikli el aletinin içine suyun sızması elektrik çarpması tehlikesini yükseltir.
- Kabloyu kendi amacı dışında kullanmayın; örneğin aleti kablodan tutarak taşımayın, aleti kablo ile asmayın veya kablodan çekerek fişi prizden çıkarmayın.** Kabloyu aşırı sıcaktan, yağlardan, keskin kenarlı cisimlerden veya aletin hareketli parçalarından uzak tutun. Hasarlı veya dolaşmış kablo elektrik çarpması tehlikesini yükseltir.
- Elektrikli el aletiyle açık havada çalışırken mutlaka açık havada kullanılmaya uygun uzatma kablosu kullanın.** Açık havada kullanılmaya uygun uzatma kablosunun kullanılması elektrik çarpması tehlikesini azaltır.
- Elektrikli el aletinin nemli ortamlarda çalıştırılması şartsa, mutlaka kaçak akım cihazı (RCD) kullanın.** RCD kullanımını elektrik çarpması tehlikesini azaltır.

3) KİŞİLERİN GÜVENLİĞİ

- Dikkatli olun, ne yaptığınızı dikkat edin ve elektrikli el aletiyle çalışırken makul hareket edin.** Yorgunsanız, ilaç kullanıyorsanız veya uyuşturucu madde ya da alkol etkisi altındaysanız aleti kullanmayın. Aleti kullanırken bir anlık dikkatsizliğiniz ciddi yaralanmalara yol açabilir.
- Daima kişisel korunma donanımları ve bir koruyucu gözlük kullanın.** Elektrikli el aletinin türü ve kullanımına uygun olarak kullanacağınız toz maskesi, kaymayan sağlam iş ayakkabıları, koruyucu kask veya koruyucu kulaklık gibi kişisel korunma donanımlarını kullanmanız yaralanma tehlikesini büyük ölçüde azaltır.
- Aleti yanlışlıkla çalıştırmaktan kaçının.** Akım ikmal şebekesine ve/veya aküye bağlamadan, elinize alıp taşımadan önce elektrikli el aletinin kapalı durumda olduğundan emin olun. Elektrikli el aletini parmağınız şalter üzerinde dururken taşırsanız ve alet açıkken fişi prize sokarsanız kazalara neden olabilirsiniz.

- Aleti çalıştırmadan önce ayar aletlerini veya tornavidaları aletten uzaklaştırın.** Dönen alet parçasına temas halinde bulunan bir uç veya anahtar yaralanmalara neden olabilir.
 - Kendinize çok fazla güvenmeyin. Duruşunuzun güvenli olmasına dikkat edin ve daima dengeyi koruyun.** Bu sayede aleti beklenmedik durumlarda daha iyi kontrol edersiniz.
 - Uygun iş elbiseleri giyin. Geniş giysiler giymeyin ve takı takmayın. Saçlarınızı ve giysilerinizi aletin hareketli parçalarından uzak tutun.** Bol giysiler, takılar veya uzun saçlar aletin hareketli parçaları tarafından tutulabilir.
 - Aletinize toz emme donanımı ve toz tutma donanımı takılabiliyorsa, bunların bağlı olup olmadığını ve doğru işlev görüp görmediklerini kontrol edin.** Toz emme donanımının kullanımı tozdan kaynaklanabilecek tehlikeleri azaltır.
 - Aletleri sık kullanmanız sebebiyle kazandığınız alışkanlıklar, güvenlik prensiplerine uymazı önlememelidir.** Dikkatsiz bir hareket, bir anda ciddi yaralanmalara yol açabilir.
- ### 4) ELEKTRİKLİ EL ALETLERİYLE DİKKATLİ ÇALIŞMAK VE ALETİ DOĞRU KULLANMAK
- Aleti aşırı ölçüde zorlamayın. İşinize uygun elektrikli el aletini kullanın.** Uygun elektrikli el aleti ile belirtilen performans alanında daha iyi ve daha güvenli çalışırsınız.
 - Açma/kapama şalteri arızalı olan elektrikli el aletini kullanmayın.** Açılıp kapanamayan bir elektrikli el aleti tehlikelidir ve onarılması gerekir.
 - Alette bir ayarlama işlemine başlamadan, herhangi bir aksesuarı değiştirirken veya aleti elinizden bırakırken fişi prizden çekin veya aküyü çıkarın.** Bu önlem, elektrikli el aletinin yanlışlıkla çalışmasını önler.
 - Kullanım dışında iken elektrikli el aletinizi çocukların ulaşamayacağı bir yerde saklayın. Aleti kullanmayı bilmeyen veya bu güvenlik talimatını okumayan kişilerden aleti kullanımına izin vermeyin.** Deneyimsiz kişiler tarafından kullanıldıkları takdirde elektrikli el aletleri tehlikeli olabilirler.
 - Elektrikli el aletinin ve aksesuarların bakımını özenle yapın. Aletin hareketli parçalarının kusursuz işlev görüp görmediklerini ve sıkışmadıklarını, parçaların kırık veya hasarlı olup olmadıklarını kontrol edin, aksi takdirde alet işlevini tam olarak yerine getiremez. Aleti kullanmadan önce hasarlı parçaları onartın.** Birçok iş kazası aletlerin kötü ve yetersiz bakımından kaynaklanır.
 - Kesici uçları keskin ve temiz tutun.** İyi bakım görmüş kesici uçlar daha ender sıkışır ve daha iyi yönlendirilirler.
 - Elektrikli el aletlerini, aksesuarı, uçları ve benzerlerini bu güvenlik talimatına uygun olarak kullanın. Aleti kullanırken çalışma koşullarını ve yaptığınızı işi daima dikkate alın.** Elektrikli el aletlerini kendileri için öngörülen işlerin dışında kullanmak tehlikeli durumların ortaya çıkmasına neden olabilir.
 - Tutamak ve kavrama yüzeylerini kuru, yağsız ve temiz tutun.** Kaygan tutamak ve kavrama yüzeyleri, aletin beklenmeyen durumlarda güvenli şekilde tutulmasını ve kontrol edilmesini engeller.

5) AKÜLÜ ALETLERLE DİKKATLİ ÇALIŞMAK VE ALETLERİ DOĞRU KULLANMAK

- a) **Aküler sadece üretici tarafından tavsiye edilen şarj cihazlarında şarj edin.** Belirli bir tür akü için geliştirilmiş bir şarj cihazının değişik bir akü için kullanılması yangın tehlikesine yol açar.
 - b) **Elektrikli el aletlerinde sadece o alet için öngörülen aküleri kullanın.** Başka akülerin kullanılması yaralanmalara ve yangın tehlikesinin ortaya çıkmasına neden olabilir.
 - c) **Kullanım dışında bulunan aküleri, kontaklar arasında köprüleme yapma olasılığı bulunan büro ataçları, madeni paralar, anahtarlar, çiviler, vidalar veya diğer küçük metal eşya ve cisimlerden uzak tutun.** Akü kontaktarı arasındaki bir kısa devre yanmalara veya yangın çıkmasına neden olabilir.
 - d) **Yanlış kullanım durumunda akünün dışına sıvılar sızabilir. Bu sıvılara temas etmeyin. Yanlışlıkla aküden sızan sıvılara temas ederseniz, temas yerini hemen su ile yıkayın. Eğer söz konusu sıvı gözünüze kaçacak olursa hemen bir hekime başvurun.** Aküden dışarı sızan sıvılar cildinizde tahrişlere veya yanmalara neden olabilir.
 - e) **Hasarlı veya değiştirilmiş akü veya el aleti kullanmayın.** Hasarlı veya değiştirilmiş aküler beklenmedik davranışlara yol açarak yangın, patlama ve yaralanmalara neden olabilir.
 - f) **Akü veya aleti ateşe veya yüksek sıcaklıklara maruz bırakmayın.** Ateşe veya 130°C üstündeki sıcaklıklara maruz kalma patlamalara yol açabilir.
 - g) **Tüm şarj talimatlarını uygulayın ve akü ya da aleti talimatlarda belirtilen sıcaklık aralığının dışında şarj etmeyin.** Hatırlı şarj veya belirtilen aralık dışındaki sıcaklıklarda şarj aküye zarar vererek yangın riskini yükseltebilir.
- ## 6) SERVİS
- a) **Aleti sadece uzman bir elemana ve orijinal yedek parçalar kullanılarak onartın.** Böylelikle aletin güvenliğini korumuş olursunuz.
 - b) **Hasarlı akülerde onarım işlemi yapmayın.** Akülerin onarımı sadece üretici veya yetkili servisler tarafından yapılmalıdır.

TAŞLAMA MAKİNELERİ İÇİN GÜVENLİK TALİMATLARI

1) TAŞLAMA, ZIMPARALAMA, TEL FIRÇA İLE ÇALIŞMA, PARLATMA VE AŞINDIRICI KESME İŞLEMLERİ İÇİN ORTAK GÜVENLİK UYARILARI

- a) **Bu elektrikli el aleti taşlama ve kesici taşlama olarak kullanılmak üzere geliştirilmiştir. Elektrikli el aleti ile birlikte teslim edilen bütün uyarılara, talimata, şekillerle ve verilen uyarı hareket edin.** Aşağıdaki talimat hükümlerine uymadığınız takdirde elektrik çarpması, yangın veya ağır yaralanma tehlikesi ile karşılaşabilirsiniz.
- b) **Bu elektrikli alet, zımparalama, telli fırçalama veya parlatma işleri için tavsiye edilmez.** Bu elektrikli aletin yapması için tasarlandığı işlerin dışında kullanılması hasara ve kişisel yaralanmalara neden olabilir.
- c) **Üretici tarafından bu alet için öngörülmemeyen ve tavsiye edilmeyen hiçbir aksesuar kullanmayın.** Çünkü aletinize takabileceğiniz her aksesuar güvenli kullanımı garanti etmez.
- d) **Bu aletle kullanacağınız uçların müsaade edilen**

devir sayıları en azından alet üzerinde belirtilen en yüksek devir sayısı kadar olmalıdır. Müsaade edilen daha yüksek devir sayısı ile çalışan uçlar hasar görebilir.

- e) **Uçların dış çapları ve kalınlıkları elektrikli el aletinizin ölçülerine uymalıdır.** Yanlış ölçülere sahip uçlar yeterli ölçüde kontrol edilemez.
- f) **Dişli adaptör parçaları olan uçlar zımpara miline tam olarak uymalıdır. Flaş yardımı ile takılan uçlarda uçların delik çapı flaşın bağlama çapına uygun olmalıdır.** Elektrikli el aletine tam ve hassas biçimde tespit edilmeyen uçlar düzensiz dönerler, aşırı ölçüde titreşim yaparlar ve aletin kontrolünün kaybına neden olurlar.
- g) **Hasarlı uçları kullanmayın. Her kullanımdan önce taşlama diskinin soyulma ve çizik, zımpara tablalarını çizik, aşınma ve yıpranma, tel fırçaları gevşek ve kopuk tel açısından kontrol edin. Elektrikli el aleti veya uç yere düşecek olursa, hasar görüp görmediklerini kontrol edin veya hasar görmemiş bir uç kullanın. Ucu kontrol edip taktıktan sonra çevrede bulunanları uzaklaştırın ve elektrikli el aletini denemeye üzere bir dakika kadar en yüksek devir sayısında çalıştırın.** Hasarlı uçlar genellikle bu test çalışmasında kırılır.
- h) **Kişisel korunma donanımı kullanın. Yaptığınız işe uygun olarak tam koruyucu yüz siperi, göz siperi veya koruyucu gözlük kullanın. Eğer uygunsuz ve gerekiyorsa, küçük taşlama ve malzeme parçacıklarını sizden uzak tutacak olan toz maskesi, koruyucu kulaklık, koruyucu iş eldiveni veya özel çalışma önlüğü kullanın.** Gözler, çeşitli çalışma türleri sırasında ortaya çıkan ve çevreye savrulan nesnelere korunmalıdır. Toz veya solunma maskesi çalışma sırasında ortaya çıkan tozu filtre eder. Uzun süre aşırı ve çok yüksek gürültü altında kalırsanız işitme kaybına uğrayabilirsiniz.
- i) **Başkalarının çalışma yerinizden yeterli uzaklıkta tutun. Çalışma alanınıza giren herkes kişisel koruyucu donanım kullanmalıdır.** İş parçasından kopan parçalar veya kırılan uçlar fırlatabilir ve çalışma alanınızın dışında da yaralanmalara neden olabilir.
- j) **Aksesuarın gizli kablo tesisatına temas edebileceği yerlerde elektrikli aleti sadece izolasyonlu tutamaklardan tutun.** "Akım taşıyan" bir tele temas eden bir aksesuar, elektrikli aletin açta duran metal parçalarında da "akım dolaşmasına" ve operatörü elektrik çarpmasına neden olabilir.
- k) **Şebeke bağlantı kablosunu dönen uçtan uzak tutun.** Elektrikli el aletinin kontrolünü kaybederseniz şebeke kablosu uç tarafından kesilebilir veya yakalanabilir, eliniz veya kolunuz dönmekte olan uca temas edebilir.
- l) **Uç tam olarak durmadan elektrikli el aletini hiçbir zaman elinizden bırakmayın.** Dönmekte olan uç aletin bırakıldığı zemine temas edebilir ve elektrikli el aletinin kontrolünü kaybedebilirsiniz.
- m) **Elektrikli el aletini taşırken çalıştırmayın.** Giysileriniz dönmekte olan uç tarafından tutulabilir ve elektrikli el aleti bedeninizde delme yapabilir.
- n) **Elektrikli el aletinizin havalandırma deliklerini düzenli olarak temizleyin.** Motor fanı tozları aletin gövdesine çeker ve biriken metal tozları elektrik çarpmasına neden olabilir.
- o) **Elektrikli el aletini yanabilir malzemelerin yakınında kullanmayın.** Kıvılcımlar bu malzemeyi tutuşturabilir.

- p) **Sıvı soğutucu madde gerektiren uçları kullanmayın.** Su veya diğer sıvı soğutucu maddelerin kullanımı elektrik çarpmasına neden olabilir.
- 2) GERİ TEPME VE BUNA İLİŞKİN UYARILAR**
- Geri tepme, taşlama diski, zımpara tablası, tel fırça ve benzeri uçların takılması veya bloke olması sonucu ortaya çıkan ani bir tepkidir. Takılma veya bloke olma dönmekte olan ucun ani olarak durmasına neden olur. Bunun sonucunda da kontrolden çıkan elektrikli el aleti blokaj yerinde ucun dönme yönünün tersine doğru ivmelenir.
 - Örneğin bir taşlama diski iş parçası içinde takılır veya bloke olursa, taşlama diskinin iş parçası içine giren kenarı tutulur ve bunun sonucunda da disk kırılır veya bir geri tepme kuvveti oluşturabilir. Taşlama diski blokaj yerinde dönme yönüne göre kullanıcıya doğru veya onun bulunduğu yerin tersine doğru hareket eder. Bu durumda taşlama diski kırılabilir.
 - Geri tepme elektrikli el aletinin yanlış veya hatalı kullanımının bir sonucudur. Geri tepme kuvveti aşağıda belirtilen önlemlerle önlenmelidir.
- a) **Elektrikli el aletini sıkıca tutun ve bedeninizle kollarınızı geri tepme kuvvetlerini karşılayabilecek konuma getirin. Yüksek devirlerde geri tepme kuvvetlerini veya reaksiyon momentlerini kontrol edebilmek için eğer varsa daima ek tutamağı kullanın.** Kullanıcı kişi uygun önlemler alarak geri tepme kuvvetlerinin veya reaksiyon momentlerinin üstesinden gelebilir.
- b) **Elinizi hiçbir zaman dönmekte olan ucun yakınına getirmeyin.** Aletin ucu geri tepme durumlarında elinize doğru hareket edebilir.
- c) **Bedeninizi elektrikli el aletinin geri tepme kuvveti sonucu hareket edebileceği alandan uzak tutun.** Geri tepme kuvveti blokaj yerinde elektrikli el aletini taşlama diskinin dönüş yönünün tersine doğru hareket ettirir.
- d) **Özellikle köşeler, keskin kenarlı nesnelere ve benzeri yerlerde çok dikkatli çalışın. Ucun iş parçasına çarpıp geri çıkmasını ve sıkışmasını önleyin.** Dönmekte olan uç köşelerde, keskin kenarlarda veya çarpma durumunda sıkışmaya eğilimlidir. Bu durum kontrol kaybına veya geri tepme kuvvetlerinin oluşmasına neden olur.
- e) **Zincirli veya dişli testere bıçağı kullanmayın.** Bu tip uçlar sık sık geri tepme kuvvetinin oluşmasına veya elektrikli el aletinin kontrolünün kaybına neden olur.
- 3) TAŞLAMA VE AŞINDIRICILI KESME İŞLEMLERİNE YÖNELİK ÖZEL GÜVENLİK UYARILARI**
- a) **Elektrikli el aletinizle sadece aletinizle kullanılmaya müsaaedeli taşlama uçlarını ve bu uçlar için öngörülen koruyucu kapağı kullanın.** Elektrikli el aletiniz için öngörülmemiş taşlama uçları yeterli ölçüde kapatılmaz ve güvenli değildirler.
- b) **Dirseklili taşlama diskleri, taşlama yüzeyleri koruyucu kapak kenarı düzlemine aşmayacak biçimde takılmalıdır.** Usulüne göre takılmamış, koruyucu kapak kenarını aşan bir taşlama diski yeterli ölçüde kapatılmaz.
- c) **Koruyucu kapak elektrikli el aletine güvenli biçimde takılmalı ve en yüksek güvenliği sağlayacak biçimde ayarlanmalıdır, yani taşlama malzemesinin mümkün olan en küçük açık bölümü kullanıcıyı göstermelidir.** Koruyucu kapak kullanıcısı kırılan parçalara, taşlama malzemesi ile rastlantısal temasa karşı ve kıyafetleri tutuşturabilecek kıvcımlardan korumalıdır.
- d) **Taşlama uçları sadece tavsiye edilen işlerde kullanılabilir.** Örneğin: Bir kesici taşlama ucunun yan tarafı ile taşlama yapmayın. Kesici taşlama uçları diskin kenarı ile malzeme kazıma için geliştirilmiştir. Bu taşlama diski yan taraftan kuvvet uygulanınca kırılabilir.
- e) **Daima seçtiğiniz taşlama diski uygun büyüklükte ve biçimde hasarsız bağlama flanş kullanın.** Uygun flanşlar taşlama disklerini destekler ve kırılmalarını önler. Kesici taşlama disklerine ait flanşlar diğer taşlama diskleri için kullanılan flanşlardan farklılık gösterebilir.
- f) **Büyük elektrikli el aletlerine ait aşınmış taşlama diskleri kullanmayın.** Büyük elektrikli el aletlerine ait taşlama diskleri küçük elektrikli el aletlerinin yüksek devirlerine göre tasarlanmamış olup, kırılabilirler.
- 4) KESİCİ TAŞLAMA İÇİN DİĞER ÖZEL GÜVENLİK UYARILARI**
- a) **Kesici taşlama diskinin bloke olması önleyin ve yüksek bastırma kuvveti uygulamayın. Çok derin kesme işleri yapmayın.** Kesici taşlama diski aşırı yük bindirilecek olursa köşelenme yapma olasılığı veya bloke olma olasılığı artar ve bunun sonucunda da geri tepme kuvvetlerinin oluşma veya diskin kırılma tehlikesi ortaya çıkar.
- b) **Dönmekte olan kesici taşlama diskinin arkasına geçmeyin.** İş parçası içindeki kesici taşlama diski kendi yönünün tersine hareket ettirirseniz, elektrikli aletin geri tepme durumunda dönmekte olan disk bedeninize doğru savrulabilir.
- c) **Kesici taşlama diski sıkışır veya siz işe ara verirsiniz, elektrikli el aletini kapatın ve disk tam olarak duruncaya kadar aleti sakince tutun. Halen dönmekte olan kesici taşlama diski hiçbir zaman kesme hattından çıkarmaya denemeyin, aksi takdirde ortaya geri tepme kuvvetleri çıkabilir.** Sıkışmanın nedenlerini tespit edin ve bunları ortadan kaldırın.
- d) **Elektrikli el aletini iş parçası içinde bulunduğu sürece tekrar çalıştırmayın.** Kesici taşlama diskinin en yüksek devre ulaşmasını bekleyin ve sonra kesme işlemine dikkatli biçimde devam edin. Aksi takdirde disk açılanma yapabilir, iş parçasından dışarı fırlayabilir veya bir geri tepme kuvvetine neden olabilir.
- e) **Kesici taşlamanın sıkışması durumunda ortaya çıkabilecek geri tepme kuvvetlerinden düşürmek için levhaları veya büyük iş parçalarını destekleyin.** Büyük iş parçaları kendi ağırlıkları nedeniyle bükülebilir. Bu gibi iş parçaları her iki taraftan da desteklenmelidir; hem kesici taşlama diskinin yanından hem de kenardan.
- f) **Duvarlardaki veya diğer görünmeyen yüzeylerdeki "Çep biçimli içten kesme" işlerinde özellikle dikkatli olun.** Malzeme içine dalan kesici taşlama diski gaz, su veya elektrik kablolarını veya başka nesnelere keserse geri tepme kuvvetleri oluşur.

EK GÜVENLİK TALİMATI

GENEL

- Bu alet sulu taşlama ve kesme işlerine uygun değildir
- Verilen kulaqları yalnız bu araçla kullanın
- Bu alet 16 yaşın altındaki kişiler tarafından kullanılmamalıdır
- Herhangi bir ayarlamayı yapmadan ve aksesuarları değiştirmeden önce bataryayı aletten sökün

AKSESUARLAR

- SKIL sadece orijinal aksesuarlar kullanıldığında aletin düzgün çalışmasını garanti eder
- SKIL olmayan aksesuarların montajı/kullanımı için üreticisi tarafından verilen açıklamaları inceleyin
- **Yalnızca maksimum kalınlığı 6 mm ve mil deliği çapı 22 mm olan taşlama/kesme diskleri kullanın**
- Geniş delikli taşlama/kesme disklerini uydurmak için hiçbir zaman daraltıcı parçalar veya adaptörler kullanmayın
- M14 x 21 mm'den küçük "kör" diş çukuru olan aksesuarlar kullanmayın
- Çatlamasını ve kırılmasını engellemek için taşlama/kesme disklerini dikkatli tutun ve saklayın

KULLANMADAN ÖNCE

- Aleti ilk kez kullanmadan önce pratik bilgiler alınması önerilir
- Her zaman E ② yardımcı kulpunu ve F ② koruyucusunu takın, aleti bunlar olmadan kesinlikle kullanmayın
- **Görünmeyen elektrik kablolarını belirlemek için uygun bir tarama cihazı kullanın veya yerel akım ikmal şirketlerinden yardım isteyin** (elektrik kablolarıyla temas, yangın çıkmasına veya elektrik çarpmalarına neden olabilir; bir gaz borusu hasar görürse patlama tehlikesi ortaya çıkar; bir su borusunu delinmesi halinde maddi hasarlar meydana gelebilir veya elektrik çarpma tehlikesi ortaya çıkabilir)
- **Bu aletle asbest içeren malzemeleri işlemeyin** (asbest kanserojen bir madde kabul edilir)
- Kurşun içeren boya, bazı ahşap türleri, mineral ve metal gibi malzemelerden çıkan toz zararlı olabilir (tozla temasta bulunulması veya solunması operatörde veya yakında bulunan kişilerde alerjik reaksiyonlara ve/veya solunum yolu hastalıklarına neden olabilir); **toz maskesi takın ve toz ekstraksiyon cihazıyla çalışın (bağlanabiliyorsa)**
- Bazı toz tipleri (örneğin meşe ve kayın ağacı tozu), bilhassa ahşap yenileme katkı maddeleriyle birlikte, kansinojenik olarak sınıflandırılır; **toz maskesi takın ve toz ekstraksiyon cihazı ile çalışın (bağlanabiliyorsa)**
- Çalışmak istediğiniz malzemelerin, toz ile ilgili ulusal taleplerini takip edin
- Özellikle destek duvarlarında oluklar açarken dikkatli olun (destek duvarlarındaki delikler ülkeye özel kurallara bağlıdır; çalışmaya başlamadan önce bu kurallar tüm koşullar için sorumlu inşaat mühendisi)
- **Çalıştığınız parçayı sabitleyin** (kıskaçlarla ya da mengeneyle sabitlenmiş bir iş parçası elle tutulan işten daha güvenlidir)
- Aleti mengeneyle sıkıştırmayın

KULLANIM SIRASINDA

- Elektriksel veya mekaniksel hatalı çalışma durumunda aleti hemen kapatın ve bataryayı çıkarın
- Batarya gücünün koruma amaçlı kesilmesi veya bataryanın çıkarılması durumunda alet kendi başına yeniden çalışmayacaktır; aleti yeniden çalıştırmak için açma/kapama anahtarının kilidini açın ve aleti tekrar çalıştırın ①

KULLANIMDAN SONRA

- Aleti kapattıktan sonra hiçbir zaman yandan güç vererek aksesuarın dönüşünü durdurmayın

BATARYALAR

- **Temin edilen batarya bir miktar şarj edilmiştir** (bataryanın tam kapasiteyle çalışmasını sağlamak için, elektrikli aletinizi ilk kez kullanmadan önce bataryayı batarya şarj cihazında tamamen şarj edin)

- **Bu aletle sadece aşağıdaki bataryaları ve şarj cihazlarını kullanın**
 - SKIL bataryası: BR1*31****
 - SKIL şarj cihazı: CR1*31****
- Hasarlı bataryaları kullanmayın, yenileyin
- Bataryayı sökme
- Aleti/bataryayı yağmur altında bırakmayın
- İzin verilen ortam sıcaklığı (aleti/şarj cihazını/bataryayı):
 - şarjda 4...40°C
 - işletmede -20...+50°C
 - depolamada -20...+50°C

ALET/BATARYA ÜZERİNDE BULUNAN İŞARETLERİN AÇIKLAMASI

- ③ Kullanmadan önce kılavuzu okuyun
- ④ Koruyucu gözlük ve koruyucu kulaklık giyin
- ⑤ Piller ateşe maruz kaldığında patlar, bu yüzden herhangi bir nedenle pili yakmayın
- ⑥ Aleti, şarj cihazını ve bataryayı daima 0°- 50° arasındaki oda sıcaklığında saklayın
- ⑦ Elektrikli aletlerini ve pilleri evdeki çöp kutusuna atmayın

KULLANIM

- Bataryanın şarjı
 - ! **şarj cihazı ile birlikte verilen güvenlik uyarıları ve talimatlarını okuyun**
- Bataryanın çıkarılması/takılması ②
- Batarya şarj süre göstergesi ⑧
 - mevcut batarya seviyesi ⑧a göstermek için batarya seviyesi gösterge düğmesine L basın
 - ! **düğmeye L ⑧b bastıktan sonra batarya göstergesinin en düşük seviyesi yanıp sönmeye başladığında bataryanın şarjı bitmiş demektir**
 - ! **düğmeye L ⑧c bastıktan sonra batarya göstergesinin 2 seviyeleri yanıp sönmeye başladığında batarya, izin verilen çalışma sıcaklığı aralığında değil demektir**
- Pil koruma
 - Aşağıdaki durumlarda alet aniden kapanır veya tekrar çalıştıramaz
 - **yük çok yüksek olduğunda** --> yükü kaldırın ve yeniden çalıştırın
 - **akü sıcaklık aralığı olan -20 ila +50°C içinde değilse** --> düğmeye L ⑧c bastıktan sonra akü göstergesinin 2 seviyeleri yanıp sönmeye başladığında, bataryanın yeniden izin verilen çalışma sıcaklık aralığına dönmelerini bekleyin
 - **batarya bitmeye yakınken (aşırı boşalmaya karşı koruma sağlamak için)** --> düğmeye L basıldığında batarya seviye göstergesi tarafından düşük batarya seviyesi veya yanıp sönen düşük batarya seviyesi ⑧b gösterilir; bataryayı şarj edin
 - ! **alet otomatik olarak kapandıktan sonra açma/kapama düğmesine basmayın; pil hasar görebilir**
- Aksesuarların takılması ②
 - ! **bataryayı aletten çıkarın**
 - A milini ve takılan tüm parçaları temizleyin
 - D mil kilidi düğmesini iterken B sıkma kulağını C anahtar ile sıkın
 - ! **D mil kilidini yalnızca A mili hareketsizken itin**
 - aksesuarları çıkartmak için tersini yapın
 - ! **kullanım sırasında taşlama/kesme diskleri çok ısınır; soğuyana kadar bunlara dokunmayın**
 - ! **hiçbir zaman yapılandırılmış etiketi olmayan taşlama/kesme diski kullanmayın (eğer mevcutsa)**

- E yardımcı kulpun takılması ⑨
 - ! bataryayı aletten çıkarın**
 - yardımcı tutamağı E aletin sağ tarafına, üst tarafına veya sol tarafına vidalayın (yapılacak işe göre)
- Koruyucusunun F çıkartılması/takılması/ayarlanması ⑩
 - ! bataryayı aletten çıkarın**
 - ! koruyucunun kapalı tarafının her zaman çalışana doğru olmasına dikkat edin**
 - gerekiyorsa, üretim sırasında ön ayarlı vida G'ı sıkıştırmak için F koruyucusunu bağlayın (**koruyucunun kapalı olduğundan emin olun**)
- Aleti kullanmadan önce
 - aksesuarların doğru olarak monte edildiğinden ve iyice sıkılmış olduğundan emin olun
 - monte edilen aksesuarın serbestçe işleyiş işlemediğini el ile döndürerek kontrol edin
 - aleti güvenli bir pozisyonda tutup, en az 60 saniye maksimum hızda ve boşta çalıştırarak bir deneme işlemini yapın
 - hissedilir derecede titreşim veya başka bozukluklar olması halinde aleti hemen kapatın ve muhtemel bozuklukların nedenlerini tespit edin
- Açma/kapama kilitleme şalteri J ⑪
 - aleti çalıştırın ⑪a
 - ! alet açılınca ortaya çıkacak ani sarsıntıya dikkat edin**
 - ! aksesuar iş parçasına temas etmeden önce en yüksek devir sayısına ulaşılmalıdır**
 - şalteri kilitleyin ⑪b
 - şalter kilidini açın/aleti kapatın ⑪c
 - ! aleti kapatmadan önce iş parçası üzerinden kaldırın**
 - ! aleti kapattıktan sonra, aksesuar birkaç saniye dana dönmeye devam eder**
- Taşlama ⑫
 - aleti hafif bir baskıyla ileri geri hareket ettirin
 - ! kenar taşlama için hiçbir zaman kesme diski kullanmayın**
- Kesme ⑬
 - kesme işlerinde aleti eğmeyin
 - aletin kontrol edilemez bir şekilde kesimden çıkmasını engellemek için aleti her zaman aletin başındaki ok yönünde hareket ettirin
 - araca bir baskı uygulamayın; kesme diskinin hızının işini yapmasını bekleyin
 - kesme diskinin çalışma hızı kesilen malzemeye bağlıdır
 - kesme diskinin yandan bir baskıyla frenlemeyin
- Aletin tutulması ve kullanılması
 - aleti her zaman iki elinizle sıkıca tutun, böylece aletin kontrolü her zaman sizde olacaktır
 - ! çalışma esnasında, aleti daima gri renkli bölge(ler) den tutun ⑭**
 - sağlam bir yüzeyde çalışın
 - dönme yönüne dikkat edin; aleti her zaman kıvılcımların ve taşlama/kesme tozunun vücuttan uzağa doğru gideceği şekilde tutun
 - havalandırma yuvalarını K ② açık tutun
- Anahtarın takılması/çıkartılması C ⑮
 - sadece alet entegre anahtar bölmesine sahip yardımcı tutamak ile çalıştırıldığında geçerlidir

UYGULAMA ÖNERİLERİ

- Daha fazla bilgi için www.skil.com adresine bakın

BAKIM / SERVİS

- Bu alet profesyonel kullanıma yönelik değildir
- Aleti daima temiz tutun (özellikle havalandırma yuvalarını K ②)
- ! temizlemeden önce aletten bataryayı çıkarın**
- Dikkatli biçimde yürütülen üretim ve test yöntemlerine rağmen alet arıza yapacak olursa, onarım SKIL elektrikli aletleri için yetkili bir serviste yapılmalıdır
 - alet **ambalajıyla** birlikte satın alma belgenizi de ekleyerek satıcınıza veya en yakın SKIL servisine ulaştırın (adresler ve aletin servis şemaları www.skil.com adresinde listelenmiştir)
- Aşırı yüklenme ve yanlış kullanımın aleti garanti kapsamında çıkaracağını unutmayın (SKIL garanti koşulları için www.skil.com adresine bakın veya satıcınıza başvurun)

ÇEVRE

- Elektrikli aletlerini, piller, aksesuarları ve ambalajları evdeki çöp kutusuna atmayın** (sadece AB ülkeleri için)
 - kullanılmış elektrikli aletleri, elektrik ve elektronik eski cihazlar hakkındaki 2012/19/EC Avrupa yönergelerine göre ve bu yönergeler ulusal hukuk kurallarına göre uyarlanarak, ayrı olarak toplanmalı ve çevre şartlarına uygun bir şekilde tekrar değerlendirmeye gönderilmelidir
 - sembol ⑦ size bunu anımsatmalıdır
- ! bataryayı tasfiye etmeden önce, kaçak akımları önlemek üzere batarya uçlarını ağır bir bantla sarın**

GÜRÜLTÜ / TİTREŞİM

- 3920**
 - EN 60745 uyarınca ölçülen bu aletin ses basıncı seviyesi 80,5 dB(A) ve ses gücü seviyesi 91,5 dB(A) (tolerans K = 3 dB), yüzey taşlama sırasındaki titreşimi ise 5,5 m/s² (triaxs vektör toplamı; tolerans K = 1,5 m/s²)
 - ! farklı uygulamalarda (kesme) farklı titreşim seviyeleri oluşabilir**
- 3921**
 - EN 60745 uyarınca ölçülen bu aletin ses basıncı seviyesi 80,0 dB(A) ve ses gücü seviyesi 91,0 dB(A) (tolerans K = 3 dB), yüzey taşlama sırasındaki titreşimi ise 4,3 m/s² (triaxs vektör toplamı; tolerans K = 1,5 m/s²)
 - ! farklı uygulamalarda (kesme) farklı titreşim seviyeleri oluşabilir**
- Titreşim emisyon seviyesi EN 60745'te sunulan standart teste göre ölçülmüştür; bu seviye, bir aleti bir başkasıyla karşılaştırmak amacıyla ve aletin söz konusu uygulamalarda kullanılması sırasında titreşime maruz kalma derecesinin ön değerlendirmesi olarak kullanılabilir
 - aletin farklı uygulamalar için veya farklı ya da bakımı yetersiz yapılmış aksesuarlarla kullanılması, maruz kalma seviyesini belirgin biçimde **artırabilir**
 - aletin kapalı olduğu veya çalıştığı ancak gerçek anlamda iş yapmadığı zamanlarda, maruz kalma seviyesi belirgin biçimde **azalabilir**
- ! aletin ve aksesuarlarının bakımını yaparak, ellerinizi sıcak tutarak ve iş modellerinizi düzenleyerek kendinizi titreşimin etkilerinden koruyun**

Akumulatorowa szlifierka 3920/3921 kątowna

WSTĘP

- Narzędzie jest przeznaczone do **lekkiego** szlifowania, cięcia i stępienia ostrych krawędzi metalu i kamienia, bez konieczności stosowania wody
- Narzędzie nie jest przeznaczone do zastosowań profesjonalnych
- Nie należy naciskać na narzędzie; powinna wystarczyć prędkość obrotowa tarczy**
- Wykonywanie cięć za pomocą ściernicy do cięcia jest dozwolone jedynie po zamontowaniu osłony przeznaczonej dla ściernicy (dostępnej jako akcesorium dodatkowe SKIL 2610S00253 (3920) / 2610S00275 (3921))**
- Przeczytać i zachować niniejszą instrukcję obsługi ③

DANE TECHNICZNE ①

ELEMENTY NARZĘDZIA ②

- A Wrzeciono
- B Kołnierz zaciskowy
- C Kluczek
- D Przycisk blokady wrzeciona
- E Uchwyt dodatkowy
- F Osłona ochronna
- G Wkręt osłona ochronna
- H Kołnierz mocujący
- J Włącznik/wyłłącznik blokujący
- K Szczeliny wentylacyjne
- L Wskaźnik poziomu naładowania akumulatora
- M Dźwignia osłony ochronnej

BEZPIECZEŃSTWO

OGÓLNE OSTRZEŻENIA DOTYCZĄCE BEZPIECZEŃSTWA UŻYTKOWNIKA ELEKTRONARZĘDZIA

⚠ OSTRZEŻENIE Należy przeczytać wszystkie ostrzeżenia dotyczące bezpieczeństwa, instrukcje, ilustracje i dane techniczne dostarczone z tym elektronarzędziem. Nieprzestrzeganie wszystkich poniższych instrukcji może skutkować porażeniem prądem, pożarem i/lub poważnym obrażeniem ciała.

Wszystkie ostrzeżenia i wskazówki należy zachować do dalszego zastosowania.

Użyte w poniższym tekście pojęcie "elektronarzędzie" odnosi się do elektronarzędzi zasilanych energią elektryczną z sieci (z przewodem zasilającym) i do elektronarzędzi zasilanych akumulatorami (bez przewodu zasilającego).

1) BEZPIECZEŃSTWO MIEJSCA PRACY

- a) **Miejsce pracy należy utrzymywać w czystości i dobrze oświetlone.** Nieporządek lub nie oświetlone miejsce pracy mogą doprowadzić do wypadków.
- b) **Nie należy pracować tym narzędziem w otoczeniu zagrożonym wybuchem, w którym znajdują się np.**

łatwopalne ciecze, gazy lub pyły. Elektronarzędzia wytwarzają iskry, które mogą podpalić ten pył lub parę.

- c) **Elektronarzędzie trzymać podczas pracy z daleka od dzieci i innych osób.** Przy nieuwadze można stracić kontrolę nad narzędziem.

2) BEZPIECZEŃSTWO ELEKTRYCZNE

- a) **Wtyczka urządzenia musi pasować do gniazda. Nie wolno modyfikować wtyczki w jakikolwiek sposób. Nie należy używać wtyczek adapterowych razem z uziemionymi narzędziami.** Nieziemione wtyczki i pasujące gniazda zmniejszają ryzyko porażenia prądem.
 - b) **Należy unikać kontaktu z uziemionymi powierzchniami jak rury, grzejniki, piece i lodówki.** Istnieje zwiększone ryzyko porażenia prądem, gdy Państwa ciało jest uziemnione.
 - c) **Urządzenie należy przechowywać zabezpieczone przed deszczem i wilgocią.** Wniknięcie wody do elektronarzędzia podwyższa ryzyko porażenia prądem.
 - d) **Nigdy nie należy używać kabla do innych czynności. Nigdy nie używać kabla do noszenia urządzenia za kabel, zawieszania lub do wyciągania wtyczki z gniazda. Kabel należy trzymać z daleka od wysokich temperatur, oleju, ostrych krawędzi lub ruchomych części urządzenia.** Uszkodzone lub poplątane kable zwiększają ryzyko porażenia prądem.
 - e) **W przypadku, kiedy elektronarzędziem pracuje się na świeżym powietrzu należy używać kabla przedłużającego, który dopuszczony jest do używania na zewnątrz.** Użycie dopuszczonego do używania na zewnątrz kabla przedłużającego zmniejsza ryzyko porażenia prądem.
 - f) **Jeżeli nie da się uniknąć zastosowania elektronarzędzia w wilgotnym otoczeniu, należy użyć wyłącznika ochronnego różnicowo-prądowego.** Zastosowanie wyłącznika ochronnego różnicowo-prądowego zmniejsza ryzyko porażenia prądem.
- #### 3) BEZPIECZEŃSTWO OSÓB
- a) **Należy być uważnym, uważać na to co się robi i pracę elektronarzędziem rozpoczynać z rozsądkiem. Nie należy używać urządzenia gdy jest się zmęczonym lub pod wpływem narkotyków, alkoholu lub lekarstw.** Moment nieuwagi przy użyciu urządzenia może doprowadzić do poważnych urażeń ciała.
 - b) **Należy nosić osobiste wyposażenie ochronne i zawsze okulary ochronne.** Noszenie osobistego wyposażenia ochronnego jak maska przeciwpyłowa, nie ślizgające się buty robocze, hełm ochronny lub ochrona słuchu, w zależności od rodzaju i zastosowania elektronarzędzia zmniejsza ryzyko obrażeń ciała.
 - c) **Należy unikać niezamierzonego uruchomienia narzędzia. Przed włożeniem wtyczki do gniazda i/ lub podłączeniem do akumulatora, a także przed podniesieniem lub przeniesieniem elektronarzędzia, należy upewnić się, że elektronarzędzie jest wyłączone.** Trzymanie palca na wyłączniku podczas przenoszenia elektronarzędzia lub podłączenia do prądu włączonego narzędzia, może stać się przyczyną wypadków.
 - d) **Zanim urządzenie zostanie włączone należy usunąć narzędzia nastawcze lub klucze.** Narzędzie lub klucz, które znajdują się w ruchomych częściach urządzenia mogą doprowadzić do obrażeń ciała.
 - e) **Nie należy przeceniać swoich możliwości. Należy dbać o bezpieczną pozycję pracy i zawsze**

utrzymywać równowagę. Przez to możliwa jest lepsza kontrola urządzenia w nieprzewidzianych sytuacjach.

- f) **Należy nosić odpowiednie ubranie. Nie należy nosić luźnego ubrania lub biżuterii. Włosy i ubranie należy trzymać z daleka od ruchomych elementów.** Luźne ubranie, biżuteria lub długie włosy mogą zostać pociągnięte przez poruszające się części.
- g) **W przypadku, kiedy możliwe jest zamontowanie urządzeń odsysających lub podchwytyjących należy upewnić się, czy są one właściwie podłączone i prawidłowo użyte.** Użycie urządzenia odsysającego pył może zmniejszyć zagrożenie pyłami.
- h) **Nie wolno pozwolić, aby rutyna nabyta w wyniku wielokrotnego użycia elektronarzędzia, zastąpiła ściśle przestrzeganie zasad bezpieczeństwa.** Niedbale obsługiwane elektronarzędzie może w ułamku sekundy wyrządzić istotne szkody lub spowodować ciężkie obrażenia.

4) UWAŻNE OBCOWANIE ORAZ UŻYCIE ELEKTRONARZĘDZIA

- a) **Nie należy przeciążać urządzenia. Do pracy używać należy elektronarzędzia, które jest do tego przewidziane.** Odpowiednim narzędziem pracuje się lepiej i bezpieczniej w podanym zakresie sprawności.
- b) **Nie należy używać elektronarzędzia, którego włącznik/wyłącznik jest uszkodzony.** Elektronarzędzie, którego nie można włączyć lub wyłączyć jest niebezpieczne i musi zostać naprawione.
- c) **Przed rozpoczęciem jakichkolwiek prac nastawczych, przed wymianą osprzętu lub przed odłożeniem elektronarzędzia należy wyjąć wtyczkę z gniazda sieciowego i/lub usunąć akumulator.** Ten środek ostrożności zapobiega niezamierzonemu włączeniu się urządzenia.
- d) **Nie używane elektronarzędzia należy przechowywać poza zasięgiem dzieci. Nie należy udostępniać narzędzia osobom, które jego nie umieją lub nie przeczytały tych przepisów.** Używanie przez niedoświadczone osoby elektronarzędzia są niebezpieczne.
- e) **Elektronarzędzia i osprzęt należy utrzymywać w nienagannym stanie technicznym. Należy kontrolować, czy ruchome części urządzenia funkcjonują bez zarzutu i nie są zablokowane, czy części nie są pęknięte lub uszkodzone, co mogłoby mieć wpływ na prawidłowe funkcjonowanie urządzenia. Uszkodzone narzędzie należy przed użyciem urządzenia oddać do naprawy.** Wiele wypadków spowodowanych jest przez niewłaściwą konserwację elektronarzędzi.
- f) **Osprzęt tnący należy utrzymywać ostry i czysty.** Starannie pielęgnowany osprzęt tnący z ostrymi krawędziami tnącymi blokuje się rzadziej i łatwiej się używa.
- g) **Elektronarzędzia, osprzęt, narzędzia itd. należy używać odpowiednio do tych przepisów. Uwzględnić należy przy tym warunki pracy i czynność do wykonania.** Użycie elektronarzędzi do innych niż przewidziane prace może doprowadzić do niebezpiecznych sytuacji.
- h) **Uchwyty i powierzchnie chwytowe powinny być zawsze suche, czyste, niezabrudzone olejem ani smarem.** Śliskie uchwyty i powierzchnie chwytowe nie pozwalają na bezpieczne trzymanie narzędzia i kontrolę

nad nim w nieoczekiwanych sytuacjach.

5) UWAŻNE OBCOWANIE I UŻYWANIE NARZĘDZI ZASILANYCH AKUMULATORAMI

- a) **Akumulatory należy ładować tylko w ładowarkach, które polecił producent.** W ładowarce, która nadaje się do ładowania określonych akumulatorów istnieje niebezpieczeństwo pożaru, gdy użyte zostaną inne akumulatory.
- b) **Do elektronarzędzi należy używać jedynie przewidzianych do tego akumulatorów.** Użycie innych akumulatorów może doprowadzić do obrażeń ciała i niebezpieczeństwa pożaru.
- c) **Nie używany akumulator należy trzymać z daleka od spinaczy, monet, kluczy, gwóźdźi, śrub lub innych małych przedmiotów metalowych, które mogłyby spowodować zwarcie kontaktów.** Zwarcie pomiędzy kontaktami akumulatora może spowodować oparzenia lub pożar.
- d) **Przy niewłaściwym użyciu możliwe jest wydostanie się cieczy z akumulatora. Należy unikać kontaktu z nią. Przy przypadkowym kontakcie spłukać wodą. W przypadku, że ciecz dostała się do oczu należy dodatkowo skonsultować się z lekarzem.** Ciecz akumulatorowa może doprowadzić do podrażnienia skóry lub oparzeń.
- e) **Nie wolno użytkować uszkodzonych ani modyfikowanych akumulatorów i elektronarzędzi.** Uszkodzone lub przerabiane akumulatory mogą się nieprzewidzianie zachować, powodując niebezpieczne dla zdrowia skutki (zapłon, eksplozja, obrażenia ciała).
- f) **Akumulator należy trzymać z dala od ognia oraz chronić przed ekstremalnymi temperaturami.** Wskutek działania ognia lub temperatury przekraczającej 130°C akumulator może eksplodować.
- g) **Należy stosować się do wszystkich wskazówek dotyczących ładowania. Nie wolno ładować akumulatora lub elektronarzędzia w temperaturze znajdującej się poza zakresem sprecyzowanym w niniejszej instrukcji.** Niezgodne z instrukcją ładowanie lub ładowanie w temperaturze nie mieszczącej się w zalecanym zakresie może spowodować uszkodzenie akumulatora oraz zwiększa ryzyko pożaru.

6) SERWIS

- a) **Naprawę urządzenia należy zlecić jedynie wykwalifikowanemu fachowcowi i przy użyciu oryginalnych części zamiennych.** To gwarantuje, że bezpieczeństwo użytkowania zostanie zachowane.
- b) **Nie wolno w żadnym wypadku naprawiać uszkodzonego akumulatora.** Naprawy akumulatora można dokonywać wyłącznie u producenta lub w autoryzowanym punkcie serwisowym.

INSTRUKCJE BEZPIECZEŃSTWA DO SZLIFIERKI KĄTOWEJ

1) WSKAZÓWKI BEZPIECZEŃSTWA DOTYCZĄCE SZLIFOWANIA, SZLIFOWANIA PAPIEREM ŚCIERNYM, PRACY Z UŻYCIEM SZCZOTEK DRUCIANYCH, POLEROWANIA I PRZECIENIA ŚCIERNICĄ

- a) **Elektronarzędzie należy używać jako szlifierki i maszyny do przecinania ściernicą. Należy przestrzegać wszystkich wskazówek**

- ostrzegawczych, przepisów, opisów i danych, które otrzymali Państwo wraz z elektronarzędziem. Jeśli nie będą przestrzegane następujące przepisy, może dojść do porażenia prądem, pożaru i/lub ciężkich obrażeń ciała.
- b) **Nie powinno być używane do piaskowania, czyszczenia szcztoką metalową czy polerowania.** Stosowanie elektronarzędzia w operacjach, do których nie jest przeznaczone, może spowodować zagrożenie i obrażenia ciała.
- c) **Nie należy używać osprzętu, który nie jest przewidziany i polecany przez producenta specjalnie do tego elektronarzędzia.** To, że można przymocować osprzęt do elektronarzędzia, nie gwarantuje bezpiecznego użycia.
- d) **Dopuszczalna prędkość obrotowa używanego narzędzia musi być co najmniej tak wysoka jak największa prędkość obrotowa podana na elektronarzędziu.** Osprzęt, który obraca się szybciej niż jest to dopuszczalne, może zostać zniszczony.
- e) **Średnica zewnętrzna i grubość używanego narzędzia muszą odpowiadać wymiarom Państwa elektronarzędzia.** Używanych narzędzi o niewłaściwych wymiarach nie można wystarczająco osłonić lub kontrolować.
- f) **Narzędzia robocze z wkładką gwintowaną muszą dokładnie pasować na gwint na wrzecionie. W przypadku narzędzi roboczych, mocowanych przy użyciu kołnierza średnica otworu narzędzia roboczego musi być dopasowana do średnicy kołnierza.** Narzędzia robocze, które nie mogą być dokładnie osadzone na elektronarzędziu, obracając się nierównomiernie, bardzo mocno wibrują i mogą spowodować utratę kontroli nad elektronarzędziem.
- g) **Nie należy używać żadnych narzędzi, które są uszkodzone. Należy skontrolować przed każdym użyciem używane narzędzia takie jak ściernice pod względem odprysków i pęknięć, talerze szlifierskie pod względem pęknięć, starcia lub silnego zużycia, szcztoki druciane pod względem luźnych lub złamanych drutów. W przypadku, gdy elektronarzędzie lub używane narzędzie upadnie, należy skontrolować, czy nie jest uszkodzone, lub użyć narzędzia, które jest nieuszkodzone.** Jeśli narzędzie zostało sprawdzone i umocowane, powinni przebywać Państwo i osoby znajdujące się w pobliżu poza obszarem obracającego się narzędzia, a elektronarzędzie należy pozostawić włączone przez minutę na najwyższych obrotach. Uszkodzone narzędzia łamią się w tym czasie próbnym.
- h) **Należy nosić osobiste wyposażenie ochronne. W zależności od użycia, należy nosić maskę ochronną pokrywającą całą twarz, ochronę oczu lub okulary ochronne. Gdy jest to stosowne, należy nosić maskę przeciwpyłową, ochronę słuchu, rękawice ochronne lub specjalny fartuch, który utrzymuje z daleka od Państwa małe cząstki ściieranego i obrabianego materiału.** Oczy muszą być chronione przed poruszającymi się w powietrzu ciałami obcymi, które powstają przy różnych sposobach użycia. Maskę przeciwpyłową i ochronną dróg oddechowych muszą filtrować powstający podczas pracy pył. W przypadku, gdy pozostaje się długo pod wpływem hałasu, można utracić słuch.
- i) **Należy uważać, by inne osoby znajdowały się w bezpiecznym oddaleniu do Państwa zakresu pracy. Każdy, kto wkroczy w zakres pracy, musi nosić osobiste wyposażenie ochronne.** Odlamki obrabianego przedmiotu lub złamanych używanych narzędzi mogą zostać odrzucone i spowodować obrażenia również poza bezpośrednim zakresem pracy.
- j) **Wykonując prace, podczas których osprzęt mogłyby natrafić na ukryte przewody elektryczne, elektronarzędzie należy trzymać za izolowaną powierzchnię uchwytu.** Dotknięcie przez osprzęt przewodu pod napięciem może spowodować przepływ napięcia przez metalowe części elektronarzędzia i porażenie operatora.
- k) **Kabel zasilający należy trzymać z dala od obracającego się narzędzia.** Jeśli straci się kontrolę nad narzędziem, kabel zasilający może zostać przecięty lub ujęty i dłoń lub ręka może dostać się w obracające się używane narzędzie.
- l) **Nigdy nie wolno odkładać elektronarzędzia zanim narzędzie się zupełnie nie zatrzyma.** Obracające się narzędzie może wejść w kontakt z powierzchnią, na którą jest odłożone, przez co można stracić kontrolę nad elektronarzędziem.
- m) **Nie wolno pozostawiać elektronarzędzia włączonego podczas przenoszenia.** Ubranie może zostać ujęte przez przypadkowy kontakt z obracającym się narzędziem, i narzędzie może się wwiercić w Państwa ciało.
- n) **Należy regularnie oczyszczać szczeliny wentylacyjne Państwa elektronarzędzia.** Dmuchawa silnika wciągająca pył do obudowy, a duże nagromadzenie pyłu metalowego może spowodować zagrożenie elektryczne.
- o) **Nie należy używać elektronarzędzia w pobliżu materiałów łatwopalnych.** Iskry mogą zapalić te materiały.
- p) **Nie należy używać narzędzi, które wymagają płynnych środków chłodzących.** Użycie wody lub innych płynnych środków chłodzących może doprowadzić do porażenia prądem.
- 2) ODRZUT I ODPOWIEDNIE PRAKTYKI**
- OSTRZEGAWCZE**
- Odrzut to nagła reakcja na zaczepiające się lub zablokowane obracające się narzędzie, takie jak ściernica, talerz szlifierski, szcztoka druciana itd. Zaczepienie się lub zablokowanie prowadzi do nagłego zatrzymania się obracającego się narzędzia. Niekontrolowane elektronarzędzie zostanie przez to w miejscu zablokowania przyspieszone w kierunku przeciwnym do kierunku obrotu narzędzia.
 - Gdy, np. ściernica zahaczy lub zablokuje się w obrabianym przedmiocie, krawędź ściernicy, która wgłębia się w obrabiany przedmiot, może zaplątać się i przez to ściernica wyłamać i spowodować odrzut. Ściernica porusza się wtedy w kierunku osoby obsługującej lub od niej, w zależności od kierunku obrotów ściernicy w miejscu zablokowania. Przy tym ściernice mogą się również złamać.
 - Odrzut jest następstwem niewłaściwego lub błędnego użycia elektronarzędzia. Można go uniknąć przez zachowanie odpowiednich środków ostrożności, takich jak niżej opisane.
- a) **Elektronarzędzie należy mocno trzymać, a ciało i ręce ustawić w pozycji, w której można złagodzić**

- sily odrzutu. Należy zawsze używać uchwytu dodatkowego, jeśli jest, żeby mieć jak największą kontrolę nad siłami odrzutu lub momentem reakcji podczas rozruchu. Osoba obsługująca urządzenie może opanować siły odrzutu i reakcji poprzez zachowanie odpowiednich środków ostrożności.
- b) **Nigdy nie należy trzymać rąk w pobliżu obracających się używanych narzędzi.** Używane narzędzie może przy odrzucie poruszać się przez Państwa rękę.
- c) **Należy unikać ciała zasięgu, w który poruszy się elektronarzędzie podczas odrzutu.** Odrzut przemieszcza elektronarzędzie w kierunku przeciwnym do ruchu ściernicy w miejscu zablokowania.
- d) **Należy pracować szczególnie ostrożnie w zakresach kątów, ostrych krawędzi itd. Należy zapobiec, by używane narzędzia mogły zostać odrzucone od obrabianego przedmiotu i mogły się zablokować.** Obracające się używane narzędzie skłonne jest w kątach, przy ostrych krawędziach lub gdy zostaje odrzucone do tego by się zahaczyć. To powoduje utratę kontroli lub odrzut.
- e) **Nie należy używać brzeszczotu łańcuchowego lub żrątego.** Takie narzędzia często powodują odrzut lub utratę kontroli nad elektronarzędziem.
- 3) **SZCZEGÓLNE WSKAZÓWKI OSTRZEGAWCZE DOTYCZĄCE SZLIFOWANIA I ODCINANIA Z UŻYCIEM ŚCIERNIC**
- a) **Należy używać wyłącznie ściernicy przeznaczonej dla elektronarzędzia i osłony przeznaczonej dla tej ściernicy.** Ściernice, które nie są przeznaczone do tego elektronarzędzia nie mogą być wystarczająco osłonięte i są niepewne.
- b) **Tarcze szlifierskie wygięte należy mocować w taki sposób, aby ich powierzchnia szlifująca nie wystawała poza krawędź pokrywy ochronnej.** Niefachowo osadzona tarcza szlifierska, wystająca poza krawędź pokrywy ochronnej nie może być wystarczająco osłonięta.
- c) **Ostłona musi być bezpiecznie przymocowana do elektronarzędzia i tak ustawiona, żeby osiągnąć maksimum bezpieczeństwa, to znaczy jak najmniejsza część ściernicy ma być zwrócona do osoby ją obsługującej.** Ostłona ma ochraniać osobę obsługującą przed odłamkami, przypadkowym kontaktem ze ściernicą i iskrami, które mogą spowodować zapalenie się ubrania.
- d) **Narzędzi szlifierskich można używać tylko do zalecanych możliwości użycia.** Np. nie wolno nigdy szlifować boczną powierzchnią ściernicy do cięcia. Ściernice do cięcia przeznaczone są do usuwania materiału krawędzią tarczy. Boczny wpływ siły na to narzędzie szlifierskie może je złamać.
- e) **Należy używać zawsze nieuszkodzonych kołnierzy mocujących o właściwej wielkości i kształcie dla wybranej przez Państwa ściernicy.** Zdatne kołnierze podpierają ściernicę i zmniejszają tak niebezpieczeństwo złamania się ściernicy. Kołnierze przeznaczone do ściernic do cięcia mogą się różnić od kołnierzy przeznaczonych do innych ściernic.
- f) **Nie należy używać zużytych ściernic z większych elektronarzędzi.** Ściernice do większych elektronarzędzi nie są zaprojektowane dla wyższej liczby obrotów mniejszych elektronarzędzi i mogą się złamać.
- 4) **DALSZE SZCZEGÓLNE WSKAZÓWKI OSTRZEGAWCZE DOTYCZĄCE PRZECINANIA ŚCIERNICĄ**
- a) **Należy unikać zablokowania się ściernicy do cięcia lub za dużego nacisku. Nie należy przeprowadzać nadmiernie głębokich cięć.** Przeciążenie ściernicy do cięcia podwyższa jej obciążenie i skłonność do zahaczenia się lub zablokowania i tym samym możliwość odrzutu lub złamania się ściernicy.
- b) **Należy unikać zakrusu przed i za obracającą się ściernicą tarczową do cięcia.** Jeśli przesuwa się ściernicę tarczową do cięcia w przedmiocie obrabianym od siebie, elektronarzędzie może odskoczyć w razie odrzutu wraz z obracającą się ściernicą bezpośrednio w Państwa kierunku.
- c) **Jeśli ściernica tarczowa do cięcia zakleszczy się lub praca zostaje przerwana, należy wyłączyć elektronarzędzie i trzymać je spokojnie aż ściernica się zatrzyma.** Nigdy nie należy próbować poruszającą się jeszcze ściernicę tarczową do cięcia wyciągać z miejsca cięcia, w przeciwnym razie może nastąpić odrzut. Należy wykryć i usunąć przyczynę zakleszczenia się.
- d) **Nie wolno włączać ponownie elektronarzędzia dopóki znajduje się ono w przedmiocie obrabianym. Należy najpierw pozwolić ściernicy tarczowej do cięcia osiągnąć jej pełną prędkość obrotową, zanim będzie się ostrożnie kontynuować cięcie.** W przeciwnym razie ściernica może się zaczepić, wyskoczyć z przedmiotu obrabianego lub spowodować odrzut.
- e) **Płyty lub duże obrabiane przedmioty należy podeprzeć, aby zmniejszyć ryzyko powstania odrzutu spowodowane ściśniętą ściernicą do cięcia.** Duże obrabiane przedmioty mogą się przegiąć pod własnym ciężarem. Obrabiany przedmiot musi zostać podparty z obydwu stron, i zarówno w pobliżu linii cięcia jak i na krawędzi.
- f) **Należy być szczególnie ostrożnym przy cięciach wgłębnych w istniejących ścianach lub innych niewidocznych zakresach.** Wgłębijająca się ściernica do cięcia może przy cięciu w przewody gazowe lub wodociągowe, przewody elektryczne lub inne objekty spowodować odrzut.

DODATKOWE INSTRUKCJE BEZPIECZEŃSTWA

OGÓLNE

- Narzędzie nie jest przystosowane do szlifowania/cięcia na mokro
- Należy stosować wyłącznie kołnierze dostarczone wraz z narzędziem
- Narzędzie nie powinny używać dzieci poniżej 16 roku życia
- Przed dokonaniem jakiegokolwiek regulacji lub zmiany akcesoriów wyjąć z narzędzia akumulatora

AKCESORIA

- SKIL może zagwarantować bezawaryjne działanie narzędzia tylko przy korzystaniu z oryginalnego wyposażenia dodatkowego
- Montując/używając akcesoriów innych producentów, należy przestrzegać instrukcji określonych przez danego producenta

- **Należy używać wyłącznie tarcz szlifierskich/tnących o maksymalnej grubości 6 mm, z otworem na trzpień o średnicy 22 mm**
- Nigdy nie należy stosować pierścieni redukcyjnych ani pośrednich, aby zamocować tarcze z większymi otworami
- Nigdy nie należy stosować akcesoriów ze "ślepyimi" gwintowanymi otworami mniejszymi niż M14 x 21 mm
- Tarczami szlifierskimi/tnącymi należy posługiwać się i przechowywać je w taki sposób, aby nie spowodować ich wyszczerbienia lub pęknięcia

PRZED UŻYCIEM

- Przed pierwszym użyciem narzędzia zalecane jest zasięgnięcie informacji praktycznych
- Zawsze należy zamontować uchwyt pomocniczy E ② i osłonę F ②; nie należy używać narzędzia bez tych elementów
- **Aby wykryć ukryte przewody zasilające należy używać stosownych detektorów lub porozumieć się z miejscowymi zakładami energetycznymi** (kontakt z przewodami elektrycznymi może doprowadzić do pożaru i porażenia elektrycznego; uszkodzenie przewodu gazowego może doprowadzić do wybuchu; uszkodzenie przewodów instalacji wodociągowej powoduje szkody rzeczowe i może spowodować porażenie elektryczne)
- **Nie należy obrabiać materiału zawierającego azbest** (azbest jest rakotwórczy)
- Pył pochodzący z takich materiałów, jak farby zawierające ołów, niektóre gatunki drzewa, minerały i metal może być szkodliwy (kontakt z nim lub wdychanie takiego pyłu może powodować reakcje alergiczne i/lub niewydolność oddechową u operatora lub osób towarzyszących); **należy zakładać maskę przeciwpyłową i pracować z urządzeniem odsysającym, jeżeli można je podłączyć**
- Niektóre rodzaje pyłu są zaklasyfikowane jako rakotwórcze (takie, jak pył dębu i buka) szczególnie w połączeniu z dodatkami do kondycjonowania drewna; **należy zakładać maskę przeciwpyłową i pracować z urządzeniem odsysającym pył, jeżeli można je podłączyć**
- Należy stosować się do lokalnych wymogów dotyczących pracy w otoczeniu pyłu powstającego podczas obróbki materiału
- Należy uważać podczas wycinania rowków, szczególnie w ścianach nośnych (otwory w ścianach nośnych podlegają specjalnym przepisom odpowiednim dla danego kraju; należy ich bezwzględnie przestrzegać)
- **Należy zabezpieczyć miejsce przeznaczone do zszycia** (miejsce przeznaczone do zszycia umieszczone w zaciskach lub imadle jest utrzymywane w miejscu bezpieczniej niż w ręku)
- Nie należy zaciskać narzędzia w imadle

PODZAS UŻYWANIA

- W przypadku nieprawidłowego działania mechanicznych lub elektrycznych elementów urządzenia, należy bezzwłocznie wyłączyć narzędzie i wyjąć akumulator
- W przypadku zadziałania odcięcia zabezpieczającego akumulatora lub, gdy akumulator zostanie wyjęty, narzędzie nie uruchomi się samoczynnie; w celu ponownego uruchomienia należy odblokować włącznik/wyłącznik narzędzia ①

PO UŻYCIU

- Po wyłączeniu narzędzia nigdy nie należy zatrzymywać wirujących elementów działającą na nie z bocznie przyłożoną siłą

AKUMULATORY

- **Dostarczany akumulator jest częściowo naładowany** (aby zapewnić pełne naładowanie akumulatora, przed użyciem elektronarzędzia po raz pierwszy akumulator należy całkowicie naładować ładowarką)
- **Do narzędzia należy stosować wyłącznie poniższe akumulatory i ładowarki**
 - Akumulator SKIL: BR1*31****
 - Ładowarka SKIL: CR1*31****
- Uszkodzony akumulator należy wymienić; nie należy używać go do pracy
- Nie rozbierać akumulatora
- Elektronarzędzia/akumulatora nie należy narażać na działanie opadów atmosferycznych
- Dopuszczalna temperatura otoczenia (narzędzie/ładowarka/akumulator):
 - podczas ładowania 4...40°C
 - podczas pracy -20...+50°C
 - podczas przechowywania -20...+50°C

OBJAŚNIENIE SYMBOLI NA NARZĘDZIU/ AKUMULATORZE

- ③ Przed użyciem przeczytaj instrukcję obsługi
- ④ Należy stosować okulary ochronne i ochraniacze suchu
- ⑤ Akumulatory w kontakcie z ogniem mogą eksplodować, więc nie wolno ich pod żadnym pozorem spalać
- ⑥ Narzędzie/ładowarka/akumulator powinny być zawsze przechowywane w pomieszczeniu o temperaturze poniżej 50°C
- ⑦ Nie wyrzucaj elektronarzędzi i baterie wraz z odpadami z gospodarstwa domowego

UŻYTKOWANIE

- Ładowanie akumulatora
- **! przeczytać wszystkie ostrzeżenia dotyczące bezpieczeństwa oraz instrukcje dostarczone z ładowarką**
- Usuwanie/montaż baterii ②
- Wskaźnik akumulatora ③
 - nacisnąć przycisk wskaźnika poziomu energii akumulatora L, aby wyświetlić bieżący poziom energii akumulatora ③a
 - **! jeśli po naciśnięciu przycisku wskaźnik miga, wskazując najniższy poziom L ③b, akumulator jest wyczerpany**
 - **! jeśli po naciśnięciu przycisku na wskaźniku migają 2 paski poziomu, L ③c, został przekroczony dopuszczalny limit temperatury roboczej akumulatora**
- System ochrony baterii
 - Urządzenie nagle wyłącza się lub nie można go włączyć, gdy
 - **obciążenie jest zbyt duże** --> usunąć obciążenie i uruchomić ponownie
 - **temperatura akumulatora jest poza dopuszczalnym zakresem wynoszącym od -20 do 50°C** --> 2 paski poziomu energii akumulatora na wskaźniku zaczną migać po naciśnięciu przycisku L ③c; poczekać, aż temperatura akumulatora powróci do dopuszczalnego zakresu
 - **akumulator jest prawie całkowicie wyczerpany (zabezpieczenie przed głębokim rozładowaniem)** --> naciśnięcie przycisku L powoduje wyświetlenie na wskaźniku niskiego poziomu akumulatora lub miganie paska niskiego poziomu akumulatora ③b; naładować akumulator

- ! **po automatycznym wyłączeniu narzędzia nie naciskaj przycisku "on/off", ponieważ może to spowodować uszkodzenie akumulatora**
- Montowanie akcesoriów ②
 - ! **wyjąć akumulator z elektronarzędzia**
 - oczyścić wrzeczono A i wszystkie elementy, które mają zostać zamontowane
 - dokręcić konierz zaciskowy B przy pomocy klucza C, wciskając przycisk blokady wrzeczono D
 - ! **przycisk blokady wrzeczono D należy wciskać tylko gdy wrzeczono A jest w spoczynku**
 - aby zdemontować element, należy postępować w odwrotnej kolejności
 - ! **tarcze szlifierskie/tnące podczas pracy bardzo się rozgrzewają; nie należy ich dotykać przed ostygnięciem**
 - ! **nie należy stosować tarczy szlifierskiej/tnącej, która jest nieoznakowana; etykieta jest naklejona na tarczę (jeśli jest)**
- Montowanie uchwyty pomocniczego E ⑨
 - ! **wyjąć akumulator z elektronarzędzia**
 - przykręcić uchwyt pomocniczy E do prawej, górnej lub lewej strony narzędzia (w zależności od tego, jaka praca ma być wykonywana)
- Demontowanie/montowanie/ustawienie osłony ochronnej F ⑩
 - ! **wyjąć akumulator z elektronarzędzia**
 - ! **upewnić się, że osłona jest zawsze założona zamkniętą stroną w kierunku operatora narzędzia**
 - w razie potrzeby, wyregulować zacisk mocujący osłony F dokręcając śrubę G ustawioną wstępnie podczas produkcji (**upewnić się, że osłona jest zamknięta**)
- Przed przystąpieniem do pracy
 - sprawdzić prawidłowość zamocowania narzędzia roboczego
 - skontrolować bieg tarczy wymuszając ruch ręką
 - uruchomić próbnie elektronarzędzie w biegu luzem w ciągu przynajmniej 60 sekund z maksymalną prędkością obrotową
 - w przypadku stwierdzenia wibracji lub innej nieprawidłowości elektronarzędzie natychmiast wyłączyć i usunąć przyczynę
- Włącznik/wyłącznik z blokadą J ⑪
 - włączyć narzędzie ⑪a
 - ! **uwaga na szarpnięcie w momencie uruchomienia**
 - ! **tarczę zbliżyć do obrabianego przedmiotu dopiero po osiągnięciu przez elektronarzędzie pełnej prędkości obrotowej**
 - zablokować włącznik/wyłącznik ⑪b
 - odblokować włącznik/wyłączyć elektronarzędzia ⑪c
 - ! **przed wyłączeniem narzędzia należy unieść je ponad obrabiany przedmiot**
 - ! **po wyłączeniu elektronarzędzia tarcza obraca się jeszcze kilka sekund**
- Szlifowanie ⑫
 - należy przesuwając narzędzie do tyłu i do przodu naciskając z umiarkowaną siłą
 - ! **do szlifowania bocznego nigdy nie należy używać tarcz tnących**
- Cięcie ⑬
 - przy cięciu nie należy przechylać narzędzia
 - zawsze należy przesuwając narzędzie w kierunku wskazywanym przez strzałkę na głowicy, aby uniknąć

- niekontrolowanego wyjścia przyrządu z wycinanej szczeliny
- nie należy naciskać na narzędzie; powinna wystarczyć prędkość obrotowa tarczy
- robocza prędkość tarczy tnącej zależy od materiału, który ma być cięty
- nie należy wyhamowywać tarczy tnących działając na nie z bocznią siłą
- Utrzymywanie i prowadzenie narzędzia
 - zawsze należy mocno trzymać przyrząd obiema rękami, aby prowadzić je w sposób kontrolowany przez cały czas
 - ! **podczas pracy zawsze trzymać narzędzie za uchwyt(y) ograniczone sztywnym kolorem ⑭**
 - należy zachować bezpieczną postawę
 - należy zwracać uwagę na kierunek obrotów; zawsze tak trzymać narzędzie, aby iskry i pył pochodzące od szlifowania/cięcia leciały w kierunku od zamiast w stronę operatora
 - szczeliny wentylacyjne K ② powinny być odkryte
- Klucz do montażu/demontażu C ⑮
 - ma zastosowanie, jeśli narzędzie jest używane z uchwytem pomocniczym ze zintegrowanym kluczem

WSKAZÓWKI UŻYTKOWANIA

- Więcej informacji można znaleźć pod adresem www.skil.com

KONSERWACJA / SERWIS

- Narzędzie nie jest przeznaczone do zastosowań profesjonalnych
- Zawsze dbać o czystość narzędzia (a szczególnie otworów wentylacyjnych K ②)
- ! **przed rozpoczęciem czyszczenia wyjąć akumulator z narzędzia**
- Jeśli narzędzie, mimo dokładnej i wszechstronnej kontroli produkcyjnej ulegnie kiedykolwiek awarii, naprawę powinien przeprowadzić autoryzowany serwis elektronarzędzi firmy SKIL
 - odesłać **nierozebrany** narzędzie, wraz z dowodem zakupu, do dealera lub do najbliższego punktu usługowego SKIL (adresy oraz diagram serwisowy narzędzenia znajdują się na stronach www.skil.com)
- Prosimy pamiętać, że uszkodzenia spowodowane przeciążeniem lub niewłaściwym użytkowaniem narzędzia nie podlegają gwarancji (warunki gwarancji SKIL znajdują się na www.skil.com lub pytać swojego dealera)

ŚRODOWISKO

- **Nie wyrzucaj elektronarzędzi, baterie, akcesoriów i opakowania wraz z odpadami z gospodarstwa domowego** (dotyczy tylko państw UE)
 - zgodnie z Europejską Dyrektywą 2012/19/WE w sprawie zużytego sprzętu elektrotechnicznego i elektronicznego oraz dostosowaniem jej do prawa krajowego, zużyte elektronarzędzia należy posegregować i zutylizować w sposób przyjazny dla środowiska
 - w przypadku potrzeby pozbycia się narzędzia, akcesoriów i opakowania - symbol ⑦ przypomni Ci o tym

! **перед отдачей аккумулятора до пункта отбора сырья вторичных защитить лентой его стыки с целью предотвращения возникновения искривлений**

HAŁASU / WIBRACJE

• 3920

Poziom ciśnienia akustycznego mierzonego zgodnie z normą EN 60745 wynosi 80,5 dB(A), a poziom mocy akustycznej wynosi 91,5 dB(A) (odchylenie K = 3 dB), wibracja podczas szlifowania powierzchni 5,5 m/s² (trójosiowa suma wektorowa; odchylenie K = 1,5 m/s²)

! **inne zastosowania (np. cięcie) mogą powodować inne wartości wibracji**

• 3921

Poziom ciśnienia akustycznego mierzonego zgodnie z normą EN 60745 wynosi 80,0 dB(A), a poziom mocy akustycznej wynosi 91,0 dB(A) (odchylenie K = 3 dB), wibracja podczas szlifowania powierzchni 4,3 m/s² (trójosiowa suma wektorowa; odchylenie K = 1,5 m/s²)

! **inne zastosowania (np. cięcie) mogą powodować inne wartości wibracji**

• Poziom emisji wibracji został zmierzony zgodnie z testem standardyzowanym podanym w EN 60745; może służyć do porównania jednego narzędzia z innym i jako ocena wstępna narażenia na wibracje w trakcie używania narzędzia do wymienionych zadań

- używanie narzędzia do innych zadań, lub z innymi albo źle utrzymanymi akcesoriami, może znacząco **zwiększyć** poziom narażenia
- przypadki, kiedy narzędzie jest wyłączone lub jest czynne, ale aktualnie nie wykonuje zadania, mogą znacząco **zmniejszyć** poziom narażenia

! **należy chronić się przed skutkami wibracji przez konserwację narzędzia i jego akcesoriów, zakładanie rękawic i właściwą organizację pracy**

RU

Аккумуляторная угловая 3920/3921 шлифовальная машина

В состав эксплуатационных документов, предусмотренных изготовителем для продукции, могут входить настоящее руководство по эксплуатации, а также приложения. Информация о подтверждении соответствия содержится в приложении.

Срок службы изделия

Срок службы изделия составляет 7 лет. Не рекомендуется к эксплуатации по истечении 5 лет хранения с даты изготовления без предварительной проверки (дату изготовления см. на этикетке).

Перечень критических отказов и ошибочные действия персонала или пользователя

- не использовать с поврежденной рукояткой или поврежденным защитным кожухом
- не использовать при появлении дыма непосредственно из корпуса изделия
- не использовать с перебитым или оголенным электрическим кабелем
- не использовать на открытом пространстве во время дождя (в распыляемой воде)

- не включать при попадании воды в корпус
- не использовать при сильном искрении
- не использовать при появлении сильной вибрации

Критерии предельных состояний

- перетёрт или повреждён электрический кабель
- повреждён корпус изделия

Тип и периодичность технического обслуживания

Рекомендуется очистить инструмент от пыли после каждого использования.

Хранение

- необходимо хранить в сухом месте
- необходимо хранить вдали от источников повышенных температур и воздействия солнечных лучей
- при хранении необходимо избегать резкого перепада температур
- хранение без упаковки не допускается
- подробные требования к условиям хранения смотрите в ГОСТ 15150 (Условие 1)

Транспортировка

- категорически не допускается падение и любые механические воздействия на упаковку при транспортировке
- при разгрузке/погрузке не допускается использование любого вида техники, работающей по принципу зажима упаковки
- подробные требования к условиям транспортировки смотрите в ГОСТ 15150 (Условие 5)

ВНИМАНИЕ!

В случае возникновения перебоев в работе электроинструмента вследствие полного или частичного прекращения энергоснабжения или повреждения цепи управления энергоснабжением установите выключатель в положение Выкл., убедившись, что он не заблокирован (при его наличии) и отключите сетевую вилку от розетки или отсоедините съёмный аккумулятор (этим предотвращается неконтролируемый повторный запуск)

ВВЕДЕНИЕ

- Инструмент предназначен для **легких** шлифования, резки и зачистки металлов и каменных материалов без использования воды
- Данный инструмент не подходит для промышленного использования
- **Не прилагайте усилий на инструмент, так как скорости вращения режущего круга достаточно для выполнения работы**
- **Резка абразивными отрезными кругом разрешается только при наличии защитного приспособления (приобретаемый отдельно аксессуар SKIL) 2610S00253 (3920) / 2610S00275 (3921))**
- Прочитайте и сохраните с данной инструкцией ③

ТЕХНИЧЕСКИЕ ДАННЫЕ ①

СТРАНА ИЗГОТОВЛЕНИЯ

Сделано в Китае

ДЕТАЛИ ИНСТРУМЕНТА ②

- A Шпindelь
- B Зажимной фланец
- C Гаечным ключ
- D Кнопка блокировки шпинделя
- E Вспомогательная ручка
- F Защитный щиток
- G Винт для защитный кожух
- H Установочному фланец
- J Включение/отключение блокировочного переключателя
- K Вентиляционные отверстия
- L Индикатор уровня заряда
- M Рычаг защитного ограждения

БЕЗОПАСНОСТЬ

ОБЩИЕ УКАЗАНИЯ ПО ТЕХНИКЕ БЕЗОПАСНОСТИ ОБ- РАЩЕНИЯ С ЭЛЕКТРОИНСТРУМЕНТАМИ

⚠ ВНИМАНИЕ! Следует ознакомиться со всеми правилами техники безопасности, инструкциями, иллюстрациями и техническими данными, содержащимися в прилагаемых к этому электроинструменту материалах. Несоблюдение нижеперечисленных инструкций в полном объеме может повлечь поражение электрическим током, пожар и/или серьезную травму.

Сохраняйте эти инструкции и указания для будущего использования.

Использованное в настоящих инструкциях и указаниях понятие “электроинструмент” распространяется на электроинструмент с питанием от сети (с кабелем питания от электросети) и на аккумуляторный электроинструмент (без кабеля питания от электросети).

1) БЕЗОПАСНОСТЬ РАБОЧЕГО МЕСТА

a) **Соблюдайте чистоту и поддерживайте надлежащую освещенность на рабочем месте.** Беспорядок на рабочем месте или его плохое освещение могут привести к несчастным случаям.

b) **Не используйте с электроинструментом во взрывоопасной среде, т.е. в непосредственной близости от легковоспламеняющихся жидкостей, газов или пыли.** В процессе работы электроинструмент искрит и искры могут воспламенить газы или пыль.

c) **При работе с электроинструментом не допускайте детей или посторонних на Ваше рабочее место.** Отвлечение Вашего внимания может привести к потере контроля над работой электроинструмента.

2) ЭЛЕКТРИЧЕСКАЯ БЕЗОПАСНОСТЬ

a) **Штепсельная вилка кабеля питания электроинструмента должна соответствовать розетке электросети. Не вносите никаких изменений в конструкцию вилки. Не используйте адаптеры для электроинструмента с защитным заземлением.** Заводские штепсельные вилки и соответствующие им сетевые розетки существенно снижают вероятность электрошока.

- b) **Избегайте механических контактов с такими заземленными поверхностями, как трубопроводы, системы отопления, плиты и холодильники.** При соприкосновении человека с заземленными предметами во время работы инструментом вероятность электрошока существенно возрастает.
 - c) **Оберегайте электроинструмент от воздействия дождя и влаги.** Попадание воды в электроинструмент повышает вероятность электрического удара.
 - d) **Используйте кабель строго по назначению. Не допускается тянуть и передвигать электроинструмент за кабель или использовать кабель для вытягивания вилки из розетки. Оберегайте кабель инструмента от воздействия высоких температур, масла, острых кромок или движущихся частей электроинструмента.** Поврежденный или спутанный кабель повышает возможность электрического удара.
 - e) **При работе на улице используйте удлинитель, предназначенный для работы вне помещения.** Использование такого удлинителя снижает вероятность электрического удара.
 - f) **Если невозможно избежать применения электроинструмента в сыром помещении, то устанавливайте устройство защиты от утечки в землю.** Использование устройства защиты от утечки в землю снижает риск электрического поражения.
- #### 3) ЛИЧНАЯ БЕЗОПАСНОСТЬ
- a) **Будьте внимательны, следите за тем, что Вы делаете и выполняйте работу обдуманно. Не пользуйтесь электроинструментом, если Вы устали или находитесь под воздействием транквилизаторов, алкоголя или медицинских препаратов.** Секундная потеря концентрации в работе с электроинструментом может привести к серьезным травмам.
 - b) **Используйте средства индивидуальной защиты. Защитные очки обязательны.** Средства индивидуальной защиты, такие как противопылевой респиратор, нескользящая защитная обувь, шлем-каска, средства защиты органов слуха применяются в соответствующих условиях работы обстоятельствах и минимизируют возможность получения травм.
 - c) **Предотвращайте непреднамеренное включение электроинструмента. Перед подключением электроинструмента к электропитанию и/или к аккумулятору убедитесь в выключенном состоянии электроинструмента.** Если Вы при транспортировке электроинструмента держите палец на выключателе или включенный электроинструмент подключаете к сети питания, то это может привести к несчастному случаю.
 - d) **Во избежание травм перед включением электроинструмента удалите регулировочный или гаечный ключ из вращающейся части электроинструмента.**
 - e) **Не переоценивайте свои возможности. Твердо стойте на ногах и удерживайте равновесие.** В таком положении вы сможете лучше контролировать электроинструмент в неожиданных ситуациях.

- f) **Используйте подходящую рабочую одежду. Не надевайте свободную одежду и украшения. Держите волосы и одежду вдали от движущихся частей.** Свободная одежда, украшения или длинные волосы легко могут попасть в движущиеся части электроинструмента.
- g) **При наличии пылеотсасывающих и пылесборных приспособлений убедитесь в том, что они подсоединены и используются надлежащим образом.** Применение пылеотсоса может снизить опасности, создаваемые пылью.
- h) **Хорошее знание электроинструментов, полученное в результате частого их использования, не должно приводить к самоуверенности и игнорированию техники безопасности обращения с электроинструментами.** Одно небрежное действие за долю секунды может привести к серьезным травмам.
- 4) **ЭКСПЛУАТАЦИЯ И УХОД ЗА ЭЛЕКТРОИНСТРУМЕНТОМ**
- a) **Не перегружайте электроинструмент. Используйте тот электроинструмент, который предназначен для данной работы.** С подходящим электроинструментом Вы выполните работу лучше и надежней, используя весь диапазон его возможностей.
- b) **Не используйте электроинструмент с неисправным выключателем.** Инструмент с неисправным выключателем опасен и подлежит ремонту.
- c) **До начала наладки электроинструмента, замены принадлежностей или прекращения работы отключайте штепсельную вилку от розетки сети и/или выньте, если это возможно, аккумулятор.** Данная мера предосторожности предотвращает случайное включение электроинструмента.
- d) **Храните неиспользуемый электроинструмент в недоступном для детей месте и не позволяйте использовать его лицам, не умеющим с ним обращаться или не ознакомленным с инструкцией по эксплуатации.** Электроинструменты представляют собой опасность в руках неопытных пользователей.
- e) **Тщательно ухаживайте за электроинструментом и принадлежностями. Проверяйте безупречность функции подвижных частей, лёгкость их хода, целостность всех частей и отсутствие повреждений, которые могут негативно сказаться на работе инструмента. При обнаружении повреждений сдайте инструмент в ремонт.** Большое число несчастных случаев связано с неудовлетворительным уходом за электроинструментом.
- f) **Режущие части инструмента необходимо поддерживать в заточенном и чистом состоянии.** При надлежащем уходе за режущими принадлежностями с острыми кромками они реже заклиниваются и инструмент лучше поддаётся контролю.
- g) **Используйте электроинструмент, принадлежности, биты и т.д. в соответствии с данными инструкциями, исходя из особенностей условий и характера выполняемой работы.** Использование электроинструмента не по назначению может привести к опасным последствиям.
- h) **Держите ручки и поверхности захвата сухими и чистыми, следите чтобы на них не было жидкой или консистентной смазки.** Скользкие ручки и поверхности захвата препятствуют безопасному обращению с инструментом и не дают надежно контролировать его в непредвиденных ситуациях.
- 5) **ЭКСПЛУАТАЦИЯ И УХОД ЗА АККУМУЛЯТОРНЫМ ЭЛЕКТРОИНСТРУМЕНТОМ**
- a) **Зарядка аккумулятора батареи производится только на тех зарядных устройствах, которые рекомендованы изготовителем.** Использование нерегламентированных зарядных устройств для зарядки аккумуляторной батареи может привести к возгоранию.
- b) **В электроинструменте надлежит использовать только те аккумуляторные батареи, которые предусмотрены для данного инструмента.** Использование других аккумуляторных батарей может привести к травмам и возникновению пожарной опасности.
- c) **Не оставляйте аккумуляторную батарею рядом с металлическими предметами – канцелярскими скрепками, монетами, ключами, гвоздями, винтами и другими металлическими предметами, которые могут замкнуть контакты.** Короткое замыкание контактов аккумуляторной батареи может привести к ожогам или пожару.
- d) **В случаях ненадлежащего обращения с аккумуляторной батареей из нее может вытечь жидкость. Избегайте контакта с ней. При случайном попадании жидкости на кожу – промойте водой. При попадании жидкости в глаза, обратитесь также за помощью к врачу.** Вытекшая аккумуляторная жидкость может привести к раздражению кожи или ожогам.
- e) **Не используйте поврежденные или измененные аккумуляторы или инструменты.** Поврежденные или измененные аккумуляторы могут повести себя непредсказуемо, что может привести к возгоранию, взрыву или риску получения травмы.
- f) **Не кладите аккумулятор или инструмент в огонь и не подвергайте их воздействию высоких температур.** Огонь или температура выше 130°C могут привести к взрыву.
- g) **Выполняйте все инструкции по зарядке и не заряжайте аккумулятор или инструмент при температуре, выходящей за указанный в инструкции диапазон.** Неправильная зарядка или зарядка при температурах, выходящих за указанный диапазон, могут повредить батарею и повысить риск возгорания.
- 6) **СЕРВИСНОЕ ОБСЛУЖИВАНИЕ**
- a) **Передавайте электроинструмент на сервисное обслуживание только квалифицированному персоналу, использующему только подлинные запасные части.** Это обеспечит сохранение безопасности электроинструмента.
- b) **Никогда не обслуживайте поврежденные**

аккумуляторы. Обслуживать аккумуляторы разрешается только производителю или авторизованной сервисной организации.

УКАЗАНИЯ ПО БЕЗОПАСНОСТИ ДЛЯ РАБОТЫ С УГЛОШЛИФОВАЛЬНОЙ МАШИНОЙ

1) ОБЩИЕ ПРЕДУПРЕЖДАЮЩИЕ УКАЗАНИЯ ПО ШЛИФОВАНИЮ, ШЛИФОВАНИЮ НАЖДАЧНОЙ БУМАГОЙ, ДЛЯ РАБОТ С ПРОВОЛОЧНЫМИ ЩЕТКАМИ, ПОЛИРОВАНИЮ И ДЛЯ РАБОТ С ОТРЕЗНЫМИ ШЛИФОВАЛЬНЫМИ КРУГАМИ

- a) Настоящий электроинструмент предназначен для применения в качестве шлифовальной машины и отрезной машины. Учитывайте все предупреждающие указания, инструкции, иллюстрации и данные, которые Вы получите с электроинструментом. При несоблюдении нижеследующих указаний возможно поражения электротоком, возникновение пожара и/или получение серьезных травм.
- b) Не рекомендуется использовать данный электроинструмент для зачистки шлифовальной шкуркой, очистки металлической щеткой или полирования. Операции, для которых этот электроинструмент не предназначен, могут создать опасность и причинить травму.
- c) Не применяйте принадлежности, которые не предусмотрены изготовителем специально для настоящего электроинструмента и не рекомендуются им. Только возможность крепления принадлежностей в Вашем электроинструменте не гарантирует еще его надежного применения.
- d) Допустимое число оборотов рабочего инструмента должно быть не менее указанного на электроинструменте максимального числа оборотов. Принадлежности, вращающиеся с большей, чем допустимо скоростью, могут разорваться.
- e) Наружный диаметр и толщина рабочего инструмента должны соответствовать размерам Вашего электроинструмента. Неправильно соразмеренные рабочие инструменты не могут быть в достаточной степени защищены или контролироваться.
- f) Сменные рабочие инструменты с резьбой должны точно подходить к резьбе шлифовального шпинделя. В сменных рабочих инструментах, монтируемых с помощью фланца, диаметр отверстий рабочего инструмента должен подходить к диаметру отверстий во фланце. Сменные рабочие инструменты, которые не точно крепятся на электроинструменте, вращаются неравномерно, очень сильно вибрируют и могут выйти из-под контроля.
- g) Не применяйте поврежденные рабочие инструменты. Проверяйте каждый раз перед использованием рабочие инструменты, как то, шлифовальные круги на сколы и трещины, шлифовальные тарелки на трещины, риски или сильный износ, проволочные щетки на незакрепленные или поломанные проволочки. После падения электроинструмента или

рабочего инструмента проверяйте последний на повреждения и при надобности установите неповрежденный рабочий инструмент. После контроля и закрепления рабочего инструмента, займите сами, и все находящиеся вблизи лица, положение за пределами плоскости вращения рабочего инструмента и включите электроинструмент на одну минуту на максимальное число оборотов. Поврежденные рабочие инструменты разрываются, в большинстве случаев, за это время контроля.

- h) Применяйте средства индивидуальной защиты. В зависимости от выполняемой работы применяйте защитный щиток для лица, защитное средство для глаз или защитные очки. Насколько уместно, применяйте противопылевой респиратор, средства защиты органов слуха, защитные перчатки или специальный фартук, которые защищают Вас от абразивных частиц и частиц материала. Глаза должны быть защищены от летающих в воздухе посторонних тел, которые возникают при выполнении различных работ. Противопылевой респиратор или защитная маска органов дыхания должны задерживать возникающую при работе пыль. Продолжительное воздействие сильного шума может привести к потере слуха.
- i) Следите за тем, чтобы все лица находились на безопасном расстоянии к Вашему рабочему участку. Каждое лицо в пределах рабочего участка должно иметь средства индивидуальной защиты. Осколки детали или разорванных рабочих инструментов могут отлететь в сторону и стать причиной травм также и за пределами непосредственного рабочего участка.
- j) Держите инструмент только за изолированные поверхности, если при работе рабочий орган может задеть скрытую проводку. Контакт режущего инструмента с проводкой под напряжением может привести к подаче напряжения на металлические части инструмента и поражению оператора электротоком.
- k) Держите шнур подключения питания в стороне от вращающегося рабочего инструмента. Если Вы потеряете контроль над инструментом, то шнур подключения питания может быть перерезан или захвачен вращающейся частью и Ваша кисть или рука может попасть под вращающийся рабочий инструмент.
- l) Никогда не выпускайте электроинструмент из рук, пока рабочий инструмент полностью не остановится. Вращающийся рабочий инструмент может зацепиться за опорную поверхность и Вы можете потерять контроль над электроинструментом.
- m) Выключайте электроинструмент при транспортировании. Ваша одежда может быть случайно захвачена вращающимся рабочим инструментом и последний может нанести Вам травму.
- n) Регулярно очищайте вентиляционные прорези Вашего электроинструмента. Вентилятор двигателя затягивает пыль в корпус и большое

скопление металлической пыли может привести к электрической опасности.

- o) **Не пользуйтесь электроинструментом вблизи горючих материалов.** Искры могут воспалить эти материалы.
- p) **Не применяйте рабочие инструменты, требующие применение жидких охлаждающих средств.** Применение воды или других жидких охлаждающих средств может привести к поражению электротоком.
- 2) **ОБРАТНЫЙ УДАР И СООТВЕТСТВУЮЩИЕ ПРЕДУПРЕЖДАЮЩИЕ УКАЗАНИЯ**
 - Обратный удар это внезапная реакция в результате заедания или блокирования вращающегося рабочего инструмента, как то, шлифовального круга, шлифовальной тарелки, проволочной щетки и т. д. Заедание или блокирование ведет к резкому останову рабочего инструмента. При этом неконтролируемый электроинструмент приходит в движение в направлении, противоположном направлению вращения рабочего инструмента в месте блокирования.
 - Например, если шлифовальный круг заест или заблокирует в детали, то кромка шлифовального круга, которая погружается в деталь, может врезаться в деталь, круг будет заторможен и в результате высккивает из детали или возникает обратный удар. При этом шлифовальный круг движется на оператора или от него, в зависимости от направления вращения круга на месте блокирования. При этом шлифовальный круг может разломаться.
 - Обратный удар является следствием неправильного использования электроинструмента или ошибки оператора. Его можно предотвратить подходящими мерами предосторожности, описанными ниже.
- a) **Крепко держите электроинструмент и займите Вашим телом и руками положение, в котором Вы можете противодействовать обратным силам. При наличии, всегда применяйте дополнительную рукоятку, чтобы как можно лучше противодействовать обратным силам или реакционным моментам при наборе оборотов.** Оператор может подходящими мерами предосторожности противодействовать обратным и реакционным силам.
- b) **Ваша рука никогда не должна быть вблизи вращающегося рабочего инструмента.** При обратном ударе рабочий инструмент может пойти по Вашей руке.
- c) **Держитесь в стороне от участка, в котором при обратном ударе будет двигаться электроинструмент.** Обратный удар ведет электроинструмент в противоположном направлении к движению шлифовального круга в месте блокирования.
- d) **Особенно осторожно работайте на углах, острых кромках и т. д. Предотвращайте отскок рабочего инструмента от детали и его заклинивание.** Вращающийся рабочий инструмент склонен на углах, острых кромках и при отскоке к заклиниванию. Это вызывает потерю контроля или обратный удар.
- e) **Не применяйте цепные пилы или зубчатые пильные полотна.** Такие рабочие инструменты

часто становятся причиной обратного удара или потери контроля над электроинструментом.

- 3) **ПРЕДУПРЕЖДЕНИЯ ПО ТЕХНИКЕ БЕЗОПАСНОСТИ ВО ВРЕМЯ ОПЕРАЦИЙ ПО ШЛИФОВКЕ И АБРАЗИВНОЙ ОТРЕЗКЕ**
 - a) **Применяйте допущенные исключительно для Вашего электроинструмента абразивные инструменты и предусмотренные для них защитные колпаки.** Абразивные инструменты, не предусмотренные для этого электроинструмента, не могут быть достаточно экранированы и не безопасны.
 - b) **Изогнутые шлифовальные круги необходимо монтировать таким образом, чтобы их шлифовальная поверхность не выступала за край защитного кожуха.** Неправильно монтированный шлифовальный круг, выступающий за край защитного кожуха, не прикрывается достаточным образом.
 - c) **Защитный колпак должен быть надежно закреплен на электроинструменте и настроен так, чтобы достигалась наибольшая степень безопасности, т. е. в сторону оператора должна быть открыта как можно меньшая часть абразивного инструмента.** Защитный колпак должен защищать оператора от осколков, случайного контакта с абразивным инструментом и искрами, которые могут воспалить одежду.
 - d) **Абразивные инструменты допускаются применять только для рекомендуемых работ.** Например: Никогда не шлифуйте боковой поверхностью отрезного диска. Отрезные диски предназначены для съема материала кромкой. Боковые шипы на этот абразивный инструмент могут сломать его.
 - e) **Всегда применяйте неповрежденные фланцевые гайки с правильными размерами и формой для выбранного Вами шлифовального круга.** Правильные фланцы являются опорой для шлифовального круга и уменьшают опасность его поломки. Фланцы для отрезных дисков могут отличаться от фланцев для шлифовальных кругов.
 - f) **Не применяйте изношенные шлифовальные круги больших электроинструментов.** Шлифовальные круги для больших электроинструментов изготовлены не для высоких скоростей вращения маленьких электроинструментов и их может разорвать.
- 4) **ДОПОЛНИТЕЛЬНЫЕ СПЕЦИАЛЬНЫЕ ПРЕДУПРЕЖДАЮЩИЕ УКАЗАНИЯ**
 - a) **Предотвращайте блокирование отрезного диска и завышенное усилие прижатия. Не выполняйте слишком глубокие резы.** Перегрузка отрезного диска повышает нагрузку и склонность к перекашиванию или блокированию диска и этим возможность обратного удара или поломки абразивного инструмента.
 - b) **Будьте осторожны перед и за вращающимся отрезным диском.** Если Вы ведете отрезной диск в детали от себя, то в случае обратного удара электроинструмент может с вращающимся диском отскочить прямо на Вас.

- c) При заклинивании отрезного диска или при перерыве в работе выключайте электроинструмент и дайте диску спокойно остановиться. Никогда не пытайтесь вынуть еще вращающийся отрезной диск из реза, так как это может привести к обратному удару. Установите и устранили причину заклинивания.
- d) Не включайте повторно электроинструмент пока абразивный инструмент находится в детали. Дайте отрезному диску развить полное число оборотов, перед тем как Вы осторожно продолжите резание. В противном случае диск может заест, выскочить из детали или вызвать обратный удар.
- e) Плиты или большие детали должны надежно лежать на опоре для снижения опасности обратного удара при заклинивании отрезного диска. Большие детали могут прогибаться под собственным весом. Деталь должна лежать на опорах с обеих сторон, как вблизи реза, так и по краям.
- f) Будьте особенно осторожны при выполнении резов с погружением в стены или на других не просматриваемых участках. Погружающийся отрезной диск может при резании газопровода или водопровода, электрических проводов или других объектов привести к обратному удару.

ДОПОЛНИТЕЛЬНЫЕ ИНСТРУКЦИИ ПО ТЕХНИКЕ БЕЗОПАСНОСТИ

ОБЩЕ

- Этот инструмент непригоден для шлифования/резки со смачиванием
- Используйте только фланцы, поставляемые с инструментом
- Инструмент нельзя использовать лицам в возрасте до 16 лет
- Выньте аккумулятор из инструмента перед тем, как производить какое-либо регулирование в замену частей или

ПРИНАДЛЕЖНОСТИ

- SKIL обеспечивает надёжную работу инструмента только при использовании соответствующих приспособлений
- При установке/использовании насадок не от фирмы SKIL, соблюдайте инструкции соответствующего завода-изготовителя
- **Используйте только шлифовальные/отрезные круги с максимальной толщиной 6 мм и диаметром посадочного отверстия 22 мм**
- Не допускается применение каких-либо переходников для установки шлифовальных/отрезных кругов с отверстиями большего диаметра
- Запрещается применение насадок с "глухим" отверстием меньшим, чем M14 x 21 мм
- Обращайтесь и храните шлифовальные/отрезные круги осторожно во избежание появления на них трещин и раскалывания

ПЕРЕД ИСПОЛЬЗОВАНИЕМ

- Перед использованием инструмента в первый раз рекомендуется получить практическую информацию
- Всегда устанавливайте боковую ручку E ② и защитный кожух F ②; никогда не используйте инструмент без них

- **Используйте подходящие металлодетекторы для нахождения скрытых проводов снабжения или наведите справки в местных предприятиях коммунального хозяйства** (контакт с электропроводкой может привести к пожару и электрическому удару; повреждение газопровода может привести к взрыву; повреждение водопровода может привести к повреждению имущества или вызвать электрический удар)
- **Не обрабатывайте материалы с содержанием асбеста** (асбест считается канцерогеном)
- Пыль от таких материалов, как свинцовосодержащая краска, некоторые породы дерева, минералы и металл, может быть вредна (контакт с такой пылью или ее вдыхание может стать причиной возникновения у оператора или находящихся рядом лиц аллергических реакций и/или респираторных заболеваний); **надевайте респиратор и работайте с пылеудаляющим устройством при включении инструмента**
- Некоторые виды пыли классифицируются как канцерогенные (например, дубовая или буковая пыль), особенно в сочетании с добавками для кондиционирования древесины; **надевайте респиратор и работайте с пылеудаляющим устройством при включении инструмента**
- Следуйте принятым в вашей стране требованиям/нормативам относительно пыли для тех материалов, с которыми вы собираетесь работать
- Будьте особенно осторожны при прорезывании проемов в несущих стенах (проемы в несущих стенах регламентируются законодательством каждой отдельной страны; эти правила следует соблюдать в любом случае)
- **Закрепите обрабатываемую деталь** (обрабатываемая деталь, зафиксированная посредством зажимных устройств или тисков, закрепляется лучше, нежели при помощи рук)
- Не зажимайте инструмент в тисках

ВО ВРЕМЯ ИСПОЛЬЗОВАНИЯ

- В случае любой электрической или механической неисправности немедленно выключите инструмент и выньте аккумулятор
- При размывании цели защиты аккумулятора и снятии аккумулятора выключатель блокируется; для повторного пуска разблокируйте выключатель и снова включите инструмент ①

ПОСЛЕ ИСПОЛЬЗОВАНИЯ

- После выключения инструмента никогда не пытайтесь остановить вращение насадок приложением поперечной силы

АККУМУЛЯТОРЫ

- **Прилагаемый аккумулятор частично заряжен** (чтобы воспользоваться полной емкостью аккумулятора, полностью зарядите аккумулятор в зарядном устройстве перед первым использованием электроинструмента)
- **При эксплуатации инструмента следует пользоваться только следующими аккумуляторами и зарядными устройствами**
 - Аккумулятор SKIL: BR1 *31****
 - Зарядное устройство SKIL: CR1 *31****
- Запрещается пользоваться поврежденным аккумулятором; его необходимо заменить
- Запрещается разбирать аккумулятор
- Не оставляйте инструмент / аккумулятор под дождем

- Допустимая температура окружающей среды (инструмент/зарядное устройство/аккумулятор):
 - при зарядке 4...40°C
 - при эксплуатации -20...+50°C
 - при хранении -20...+50°C

ПОЯСНЕНИЯ К УСЛОВНЫМ ОБОЗНАЧЕНИЯМ НА ИНСТРУМЕНТЕ/АККУМУЛЯТОРНОЙ БАТАРЕЕ

- ③ Перед использованием ознакомьтесь с руководством по эксплуатации
- ④ Одевайте защитные очки и средства защиты волос
- ⑤ При попадании в огонь батареи взрываются, поэтому ни в коем случае не сжигайте батареи
- ⑥ В зоне хранения инструмента, зарядного устройства и аккумулятора температура не должна подниматься выше 50°C
- ⑦ Не выкидывайте электроинструмент и батареи вместе с бытовым мусором

ИСПОЛЬЗОВАНИЕ

- Зарядка аккумулятора
 - ! ознакомьтесь с прилагаемыми к зарядному устройству правилами техники безопасности
- Извлечение / установка аккумулятора ②
- Индикатор уровня заряда ⑧
 - чтобы узнать текущий уровень заряда аккумулятора ⑧а, нажмите на кнопку индикатора уровня заряда L
 - ! если после нажатия кнопки L ⑧b начинает мигать самый низкий уровень индикатора батареи, значит аккумулятор разряжен
 - ! если после нажатия кнопки L ⑧с начинают мигать уровни 2 индикатора батареи, значит температура аккумулятора находится за пределами допустимого диапазона рабочих температур
- Защита аккумулятора

Инструмент внезапно выключается или не может быть включен, когда

 - нагрузка слишком высока --> уменьшите нагрузку и выполните перезапуск
 - температура аккумулятора выходит за пределы допустимого диапазона рабочих температур от -20 до +50 °C --> при нажатии кнопки L ⑧с начинают мигать уровни 2 индикатора уровня заряда батареи; дождитесь, пока температура аккумулятора вернется в допустимый диапазон рабочих температур
 - аккумулятор почти разряжен (для защиты от глубокого разряда) --> низкий уровень заряда батареи или мигающий низкий уровень заряда батареи ⑧b отображается индикатором уровня заряда батареи при нажатии кнопки L; зарядите аккумулятор
 - ! в случае автоматического выключения инструмента не пытайтесь включить его снова, поскольку при этом может быть повреждена батарея
- Установка насадок ②
 - ! выньте аккумулятор из инструмента
 - очистите шпиндель A и все устанавливаемые детали
 - затяните зажимной фланец B гаечным ключом C при нажатой кнопке блокировки шпинделя D

- ! нажимайте кнопку блокировки шпинделя D только после полной остановки шпинделя A
- снятие насадок производится в обратном порядке
- ! во время работы шлифовальные/отрезные круги сильно разогреваются; не прикасайтесь к ним до их охлаждения
- ! никогда не используйте шлифовальный/отрезной круг без приклеенной отрывной этикетки (при наличии)
- Установка боковую ручку E ⑨
 - ! выньте аккумулятор из инструмента
 - ввинтите вспомогательную рукоятку E в инструмент справа, сверху или слева (в зависимости от выполняемой работы)
- Снятие/установка/регулировка защитного кожуха F ⑩
 - ! выньте аккумулятор из инструмента
 - ! убедитесь в том, что закрытая часть защитного кожуха находится со стороны оператора
 - в случае необходимости, закрепите защитный кожух F затянув без регулированного при изготовлении (убедитесь, что защитный кожух закрыт)
- Перед использованием инструмента
 - убедитесь, что режущая насадка правильно установлена и надежно закреплена
 - проверьте плавность вращения режущей насадки, вращая ее рукой
 - опробуйте работу инструмента в течение не менее 60 секунд на максимальной скорости без нагрузки в безопасном положении
 - в случае значительной вибрации или других дефектов немедленно остановите инструмент и проверьте его для определения причины дефекта
- Включение/отключение блокировочного переключателя J ⑪
 - включите инструмент ⑪а
 - ! остерегайтесь внезапного удара при включении инструмента
 - ! до контакта с обрабатываемыми поверхностями скорость вращения устройства должна быть доведена до максимальной
 - заблокируйте переключатель ⑪b
 - разблокируйте переключатель/отключите инструмент ⑪с
 - ! перед тем как выключить инструмент, его следует поднять над обрабатываемым изделием
 - ! режущая насадка продолжает вращаться некоторое время после отключения инструмента
- Шлифование ⑫
 - передвигайте инструмент вперед и назад с умеренным нажимом
 - ! никогда не используйте отрезной круг для бокового шлифования
- Резка ⑬
 - не наклоняйте инструмент при резке
 - для предотвращения выталкивания инструмента из участка резки двигайте инструмент только в направлении, указанном стрелкой на головке инструмента
 - не прилагайте усилий на инструмент, так как

скорости вращения режущего круга достаточно для выполнения работы

- рабочая скорость отрезного круга зависит от обрабатываемого материала
- не останавливайте отрезной круг приложением бокового усилия

- Удерживание и направление инструмента - для обеспечения контроля над инструментом всегда держите его крепко, обеими руками

! во время работы, всегда держите инструмент за места правильного хвата, которые обозначены серым цветом 14

- выберите безопасное положение для работы
- обращайтесь внимание на направление вращения; всегда держите инструмент так, чтобы искры и пыль шлифования/рези направлялись в сторону от тела
- содержите вентиляционные отверстия К 2 не закрытыми

- Убирание / выемка ключа С 15
 - только если инструмент имеет дополнительную ручку со встроенным отсеком для ключа

СОВЕТЫ ПО ИСПОЛЬЗОВАНИЮ

- Подробнее на сайте www.skil.com

ТЕХОБСЛУЖИВАНИЕ / СЕРВИС

- Данный инструмент не подходит для промышленного использования
- Инструмент следует содержать в чистоте (особенно вентиляционные отверстия К 2)

! перед чисткой следует извлечь из инструмента аккумулятор

- Если инструмент, несмотря на тщательные методы изготовления и испытания, выйдет из строя, то ремонт следует производить силами авторизованной сервисной мастерской для электроинструментов фирмы SKIL

- отправьте **неразобранный** инструмент со свидетельством покупки Вашему дилеру или в ближайшую станцию обслуживания фирмы SKIL (адреса и схема обслуживания инструмента приведены в вебсайте www.skil.com)

- Примите к сведению, что повреждения вследствие перегрузки или ненадлежащего обращения с инструментом не будут включены в гарантию (условия гарантии SKIL см. на сайте www.skil.com или узнайте у дилера в Вашем регионе)

ОХРАНА ОКРУЖАЮЩЕЙ СРЕДЫ

- **Не выкидывайте электроинструмент, батареи, принадлежностей и упаковку вместе с бытовым мусором** (только для стран ЕС)

- во исполнение европейской директивы 2012/19/ЕС об утилизации отслужившего свой срок электрического и электронного оборудования и в соответствии с действующим законодательством, утилизация электроинструментов производится отдельно от других отходов на предприятиях, соответствующих условиям экологической безопасности

- значок 7 напечатает Вам об этом, когда появится необходимость сдать электроинструмент на утилизацию

! перед тем как выбросить аккумуляторы или направить их на утилизацию, изолируйте клеммы аккумуляторов прочной изоляционной лентой для исключения короткого замыкания

ШУМ / ВИБРАЦИЯ

- **3920**

Согласно измерениям в соответствии с EN 60745 уровень звукового давления этого инструмента составляет 80,0 дБ(А), уровень звуковой мощности — 91,5 дБ(А) (погрешность K = 3 дБ), а вибрация при плоском шлифовании 5,5 м/с² (векторная сумма по трем осям; погрешность K = 1,5 м/с²)

! вибрационное значение может отличаться при других использованиях (например, при резании)

- **3921**

Согласно измерениям в соответствии с EN 60745 уровень звукового давления этого инструмента составляет 80,0 дБ(А), уровень звуковой мощности — 91,0 дБ(А) (погрешность K = 3 дБ), а вибрация при плоском шлифовании 4,3 м/с² (векторная сумма по трем осям; погрешность K = 1,5 м/с²)

! вибрационное значение может отличаться при других использованиях (например, при резании)

- Уровень вибрации был измерен в соответствии со стандартизированным испытанием, содержащимся в EN 60745; данная характеристика может использоваться для сравнения одного инструмента с другим, а также для предварительной оценки воздействия вибрации при использовании данного инструмента для указанных целей

- при использовании инструмента в других целях или с другими/неисправными вспомогательными приспособлениями уровень воздействия вибрации может значительно **повышаться**

- в периоды, когда инструмент отключен или функционирует без фактического выполнения работы, уровень воздействия вибрации может значительно **снижаться**

! защищайте себя от воздействия вибрации, поддерживая инструмент и его вспомогательные приспособления в исправном состоянии, поддерживая руки в тепле, а также правильно организуя свой рабочий процесс

UA

Бездротова кутова 3920/3921 шліфувальна машина

ВСТУП

- Інструмент призначений для **легких** шліфування, різки і зачистки металів та кам'яних матеріалів без використання води
- Цей інструмент не придатний для промислового використання
- **Не прикладайте зусиль на інструмент, тому що швидкість обертання ріжучого круга достатньо для виконання роботи**
- Різання за допомогою абразивних ріжучих дисків дозволяється тільки при використанні

обмежника різання (допоміжне пристосування 2610S00253 (3920) / 2610S00275 (3921) від SKIL, що поставляється на вибір)

- Прочитайте і збережіть цю Інструкцію з експлуатації

③

ТЕХНІЧНІ ДАНІ ①

ЕЛЕМЕНТИ ІНСТРУМЕНТА ②

- A Шпindelя
- B Затисковий фланець
- C Гайковим ключ
- D Кнопка блокування шпindelя
- E Додаткова ручка
- F Захисний кожух
- G Гвинт захисний кожух
- H Установочному фланець
- J Увімкнення/вимкнення блокувального перемикача
- K Вентиляційні отвори
- L Індикатор рівня заряду батареї
- M Важіль захисного кожуха

БЕЗПЕКА

ЗАГАЛЬНІ ВКАЗІВКИ З ТЕХНІКИ БЕЗПЕКИ ПОВОДЖЕННЯ З ЕЛЕКТРОІНСТРУМЕНТАМИ

⚠ ПОПЕРЕДЖЕННЯ Уважно вивчіть запобіжні заходи та ілюстрації, а також прочитайте вказівки та технічні умови, що входять в комплект поставки цього електроінструменту. Недотримання нижчеперелічених вказівок у повному обсязі може спричинити ураження електричним струмом, пожежу та / або серйозну травму.

Добре зберігайте на майбутнє ці попередження і вказівки.

Під поняттям “електроприлад” в цих попередженнях мається на увазі електроприлад, що працює від мережі (з електрокабелем) або від акумуляторної батареї (без електрокабелю).

1) БЕЗПЕКА НА РОБОЧОМУ МІСЦІ

- a) **Приймайте своє робоче місце в чистоті та прибирайте його.** Безлад або погане освітлення на робочому місці можуть призводити до нещасних випадків.
- b) **Не працюйте з приладом у середовищі, де існує небезпека вибуху внаслідок присутності горючих рідин, газів або пилу.** Електроприлади можуть породжувати іскри, від яких може займатися пил або пари.
- c) **Під час працювання з приладом не підпускайте до робочого місця дітей та інших людей.** Ви можете втратити контроль над приладом, якщо Ваша увага буде відвернута.

2) ЕЛЕКТРИЧНА БЕЗПЕКА

- a) **Штепсель приладу повинен пасувати до розетки. Не дозволяється що-небудь міняти в штепселі. Для роботи з приладами, що мають захисне заземлення, не використовуйте адаптери.**

- Використання оригінального штепселя та належної розетки зменшує ризик удару електричним струмом.
- b) **Уникайте контакту частей тіла із заземленими поверхнями, як напр., трубами, батареями опалення, печами та холодильниками.** Коли Ваше тіло заземлене, існує збільшена небезпека удару електричним струмом.
- c) **Захищайте прилад від дощу та вологи.** Попадання води в електроінструмент збільшує ризик удару електричним струмом.
- d) **Не використовуйте кабель для перенесення приладу, підвішування або витягування штепселя з розетки. Захищайте кабель від жару, олії, гострих країв та деталей приладу, що рухаються.** Пошкоджений або закручений кабель збільшує ризик удару електричним струмом.
- e) **Для зовнішніх робіт обов'язково використовуйте лише такий подовжувач, що допущений для зовнішніх робіт.** Використання подовжувача, що розрахований на зовнішні роботи, зменшує ризик удару електричним струмом.
- f) **Якщо не можна запобігти використанню електроприладу у вологому середовищі, використовуйте пристрій захисту від витоків в землю.** Використання зростою захисту від витоків в землю зменшує ризик удару електричним струмом.

3) БЕЗПЕКА ЛЮДЕЙ

- a) **Будьте уважними, слідкуйте за тим, що Ви робите, та розсудливо поведіться під час роботи з електроприладом. Не користуйтеся приладом, якщо Ви стомлені або знаходитесь під дією наркотиків, спиртних напоїв або лік.** Мить неухважності при користуванні приладом може призводити до серйозних травм.
- b) **Вдягайте особисте захисне спорядження та обов'язково вдягайте захисні окуляри.** Вдягання особистого захисного спорядження, як напр., - в залежності від виду робіт - захисної маски, спецвзуття, що не ковзається, каски або навушників, зменшує ризик травм.
- c) **Уникайте ненавмисного вмикання. Перш ніж вмикати електроприлад в електромережу або встромляти акумуляторну батарею, брати його в руки або переносити, впевніться в тому, що електроприлад вимкнутий.** Тримання пальця на вимикачі під час перенесення електроприладу або встромляння в розетку увімкнутого приладу може призводити до травм.
- d) **Перед тим, як вмикати прилад, приберіть налагоджувальні інструменти та гайковий ключ.** Знаходження налагоджувального інструмента або ключа в деталі, що обертається, може призводити до травм.
- e) **Не переоцінюйте себе. Зберігайте стійке положення та завжди зберігайте рівновагу.** Це дозволить Вам краще зберігати контроль над приладом у несподіваних ситуаціях.
- f) **Вдягайте придатний одяг. Не вдягайте просторий одяг та прикраси. Не підставляйте волосся й одяг до деталей, що рухаються.** Просторий одяга, прикраси та довге волосся можуть попадати в деталі, що рухаються.

- g) Якщо існує можливість монтувати пиловідсмоктувальні або пилоуловлювальні пристрої, переконайтеся, щоб вони були добре під'єднані та правильно використовувалися. Використання пиловідсмоктувального пристрою може зменшити небезпеки, зумовлені пилом.
- h) **Добре знання електроінструментів, отримане в результаті частого їх використання, не повинно призводити до самовпевненості й ігнорування принципів техніки безпеки.** Необережна дія може в одну мить призвести до важкої травми.
- 4) ПРАВИЛЬНЕ ПОВОДЖЕННЯ ТА КОРИСТУВАННЯ ЕЛЕКТРОПРИЛАДАМИ**
- a) **Не перевантажуйте прилад. Використовуйте такий прилад, що спеціально призначений для певної роботи.** З придатним приладом Ви з меншим ризиком отримаєте кращі результати роботи, якщо будете працювати в зазначеному діапазоні потужності.
- b) **Не користуйтеся приладом з пошкодженим вибивачем.** Прилад, який не можна увімкнути або вимкнути, є небезпечним і його треба відремонтувати.
- c) **Перед тим, як регулювати або зовбуть на приладі, міняти приладдя або ховати прилад, витягніть штепсель із розетки та/або витягніть акумуляторну батарею, якщо вона знімається.** Ці попереджувальні заходи з техніки безпеки зменшують ризик ненавмисного запуску приладу.
- d) **Зберігайте електроприлади, якими Ви саме не користуєтесь, далеко від дітей. Не дозволяйте користуватися електроприладом особам, що не знайомі з його роботою або не читали ці вказівки.** У разі застосування недосвідченими особами прилади несуть в собі небезпеку.
- e) **Старанно доглядайте за електроінструментами і приладдям.** Перевірте, щоб рухомі деталі приладу бездоганно працювали та не заїдали, не були поламаними або настільки пошкодженими, щоб це могло вплинути на функціонування приладу. Пошкоджені деталі треба відремонтувати в авторизованій майстерні, перш ніж ними можна знову користуватися. Велика кількість нещасних випадків спричиняється поганим доглядом за електроприладами.
- f) **Тримайте різальні інструменти добре нагостреними та в чистоті.** Старанно доглянуті різальні інструменти з гострим різальним краєм менше застряють та їх легше вести.
- g) **Використовуйте електроприлади, приладдя до них, робочі інструменти т.і. відповідно до цих вказівок.** Беріть до уваги при цьому умови роботи та специфіку виконуваної роботи. Використання електроприладів для робіт, для яких вони не передбачені, може призводити до небезпечних ситуацій.
- h) **Тримайте рукоятки і поверхні захвату сухими і чистими, слідкуйте, щоб на них не було оливи або густо мастила.** Слизькі рукоятки і поверхні захвату унеможливають безпечне поводження з електроінструментом та його контролювання в неочікуваних ситуаціях.
- 5) ПРАВИЛЬНЕ ПОВОДЖЕННЯ ТА КОРИСТУВАННЯ ЕЛЕКТРОПРИЛАДАМИ, ЩО ПРАЦЮЮТЬ НА АКУМУЛЯТОРНИХ БАТАРЕЯХ**
- a) **Заряджуйте акумуляторні батареї лише в заряджувальних пристроях, рекомендованих виготовлювачем.** Використання заряджувального пристрою для акумуляторних батарей, для яких він не передбачений, може призводити до пожежі.
- b) **Використовуйте в електроприладах лише рекомендовані акумуляторні батареї.** Використання інших акумуляторних батарей може призводити до травм та пожежі.
- c) **Не зберігайте акумуляторну батарею, якою Ви саме не користуєтесь, поряд із канцелярськими скріпками, ключами, гвіздками, гвинтами та іншими невеликими металевими предметами, які можуть спричинити перемикання контактів.** Коротке замикання між контактами акумуляторної батареї може спричинити опіки або пожежу.
- d) **При неправильному використанні з акумуляторної батареї може потіти рідина. Уникайте контакту з нею. При випадковому контакті промийте відповідне місце водою. Якщо рідина потрапила в очі, додатково зверніться до лікаря.** Акумуляторна рідина може спричинити подразнення шкіри або опік.
- e) **Не використовуйте пошкоджені або модифіковані акумулятори або електроінструменти.** Пошкоджені або модифіковані акумулятори повестися неочікувано, що може призвести до пожежі, вибуху або ризику травми.
- f) **Не піддавайте акумулятор або електроінструмент дії вогню або високих температур.** Вогонь або температури вищі за 130°C можуть призвести до вибуху.
- g) **Виконуйте всі вказівки із заряджання і не заряджайте акумулятор або електроінструмент за температур, що виходять за вказані в інструкції межі.** Неправильне заряджання або заряджання за температур, що виходять за вказані межі, може пошкодити батарею і підвищити ризик займання.
- 6) СЕРВІС**
- a) **Віддавайте свій прилад на ремонт лише кваліфікованим фахівцям та лише з використанням оригінальних запчастин.** Це забезпечить безпечність приладу на довгий час.
- b) **Ніколи не обслуговуйте пошкоджені акумулятори.** Обслуговувати акумулятори дозволяється лише виробнику або авторизованим сервісним організаціям.

ПРАВИЛА ТЕХНІКИ БЕЗПЕКИ ДЛЯ КУТОВИХ ШЛІФУВАЛЬНИХ МАШИН

- 1) СПІЛЬНІ ПОПЕРЕДЖЕННЯ ПРИ ШЛІФУВАННІ, ШЛІФУВАННІ НАНДАННОМ, РОБОТАХ З ДРОТЯНИМИ ШІТКАМИ, ПОЛІРУВАННІ ТА ВІДРІЗАННІ**
- a) **Цей електроприлад може використовуватися в якості шліфмашини і абразивно-відрізного верстата. Зважайте на всі попередження, вказівки, зображення приладу і його**

технічні дані, що Ви їх отримали разом з електроприладом. Недодержання нижчеподаних вказівок може призводити до удару електричним струмом, пожежі і/або важких тілесних ушкоджень.

- b) **Не рекомендується застосовувати даний електроінструмент для зачищення шліфувальною шкіркою, очищення металевою щіткою або полірування.** Операції, для яких цей інструмент не призначений, можуть наражати на небезпеку і спричинити травму.
- c) **Використовуйте лише приладдя, що передбачене і рекомендоване виготовлювачем спеціально для цього електроприладу.** Сама лише можливість закріплення приладдя на Вашому електроприладі не гарантує його безпечне використання.
- d) **Допустима кількість обертів робочого інструмента повинна як мінімум відповідати максимальній кількості обертів, що зазначена на електроприладі.** Приладдя, що обертається швидше ніж допустимо, може бути зіпсоване.
- e) **Зовнішній діаметр і товщина робочого інструмента повинна відповідати параметрам Вашого електроприладу.** При неправильних розмірах робочого інструмента існує небезпека того, що робочий інструмент буде недостатньо прикриватися та Ви можете втратити контроль над ним.
- f) **Вставні робочі інструменти з різьбою повинні точно пасувати до різьби шліфувального шпинделя. У вставних робочих інструментах, які монтуються за допомогою фланця, діаметр отвору вставного робочого інструмента повинен пасувати до прийомного діаметра фланця.** Вставні робочі інструменти, що не точно кріпляться на електроінструменті, обертаються нерівномірно, сильно вібрують і можуть призвести до втрати контролю над ними.
- g) **Не використовуйте пошкоджені робочі інструменти. Перед кожним використанням перевіряйте робочі інструменти, зокрема: шліфувальні круги на відлами та тріщини, тарілчасті шліфувальні круги на тріщини, знос або сильне притуплення, дріт'яні щітки на розхитані або зламані дроти.** Якщо електроприлад або робочий інструмент впав, перевірте, чи не пошкодився він, або використовуйте непошкоджений робочий інструмент. Після перевірки і монтажу робочого інструмента Ви самі і інші особи, що знаходяться поблизу, повинні стати так, щоб не знаходитися в площині робочого інструмента, що обертається, після чого увімкніть електроприлад на одну хвилину на максимальну кількість обертів. Пошкоджені робочі інструменти більшістю ламаються під час такої перевірки.
- h) **Вдягайте особисте захисне спорядження. В залежності від виду робіт використовуйте захисну маску, захист для очей або захисні окуляри. За необхідністю вдягайте респіратор, навушники, захисні рукавиці або спеціальний фартух, щоб захистити себе від невеличких частинок, що утворюються під час шліфування, та частинок матеріалу. Очі повинні бути захищені**

від відлітєлих чужорідних тіл, що утворюються при різних видах робіт. Респіратор або маска повинні відфільтрувати пил, що утворюється під час роботи. При тривалій роботі при гучному шумі можна втратити слух.

- i) **Слідкуйте за тим, щоб інші особи дотримувалися безпечної відстані від Вашої робочої зони. Кожен, хто заходить у робочу зону, повинен мати особисте захисне спорядження.** Уламки оброблюваного матеріалу або зламаних робочих інструментів можуть відлітати та спричиняти тілесні ушкодження навіть за межами безпосередньої робочої зони.
 - j) **Під час роботи, коли пристосування може зачепити заховану електропроводку, тримайте електроінструмент за ізольовані рукоятки.** Зачеплення проводки, що знаходиться під напругою, може заряджувати також і металеві частини електроінструмента та призводити до удару електричним струмом.
 - k) **Тримайте шнур живлення на відстані від робочого інструмента, що обертається.** При втраті контролю над приладом може перерізатися або заховитися шнур живлення та Ваша рука може потрапити під робочий інструмент, що обертається.
 - l) **Перш, ніж покласти електроприлад, зачекайте, поки робочий інструмент повністю не зупиниться.** Робочий інструмент, що ще обертається, може зачепити поверхню, на яку Ви його кладете, через що Ви можете втратити контроль над електроприладом.
 - m) **Не залишайте електроприлад увімкнутим під час перенесення.** Ваш одяг може випадково потрапити в робочий інструмент, що обертається, та робочий інструмент може пробурувати Вас
 - n) **Регулярно прочищайте вентиляційні щілини Вашого електроприладу.** Вентилятор електромотора затягує пил у корпус, сильне накопичення металевого пилю може призвести до електричної небезпеки.
 - o) **Не користуйтеся електроприладом поблизу від горючих матеріалів.** Такі матеріали можуть займатися від іскор.
 - p) **Не використовуйте робочі інструменти, що потребують охолоджувальної рідини.** Використання води або іншої охолоджувальної рідини може призвести до удару електричним струмом.
- 2) СІПАННЯ ТА ВІДПОВІДНІ ПОПЕРЕДЖЕННЯ**
- Сіпання – це несподівана реакція приладу на зачеплення або застрявання робочого інструмента, що обертається, наприклад, наприклад, шліфувального круга, тарілчастого шліфувального круга, дріт'яної щітки тощо. Зачеплення або застрявання призводить до різкої зупинки робочого інструмента, що обертається. В результаті електроприлад починає неконтрольовано рухатися з прискоренням проти напрямку обертання робочого інструмента в місці застрявання.
 - Якщо, наприклад, шліфувальний круг зачепиться або застряє в оброблюваному матеріалі, кромка шліфувального круга, якою той зайшов у оброблюваний матеріал, може застряти і, таким

- чином, шліфувальний круг може вискочити з оброблюваної поверхні або сіпнутися. В результаті шліфувальний круг починає рухатися в напрямку особи, що обслуговує прилад, або у протилежному напрямку, в залежності від напрямку обертання круга в місці застрявання. При цьому шліфувальний круг може переламатися.
- Сіпання це результат неправильної експлуатації або помилки при роботі з електроприладом. Йому можна запобігти за допомогою належних запобіжних заходів, що описані нижче.
- a) **Міцно тримайте електроприлад, тримайте своє тіло та руки у положенні, в якому Ви зможете протистояти сіпанню. Завжди використовуйте додаткову рукоятку (за її наявності), щоб бути в стані найкращим чином справитися з сіпанням і реактивними моментами при високій частоті обертання робочого інструмента.** З сіпанням та реактивними моментами можна справитися за умови придатних запобіжних заходів.
 - b) **Ніколи не тримайте руку поблизу від робочого інструмента, що обертається.** При сіпанні робочий інструмент може відскочити Вам на руку.
 - c) **Уникайте своїм корпусом місць, куди в разі сіпання може відскочити електроприлад.** При сіпанні електроприлад відскакує в напрямку, протилежному руху шліфувального круга в місці застрявання.
 - d) **Працюйте з особливою обережністю в нутах, на гострих краях тощо. Запобігайте відскакуванню робочого інструмента від оброблюваного матеріалу та його заклинюванню.** В нутах, на гострих краях або при відскакуванні робочий інструмент може заклинюватися. Це призводить до втрати контролю або сіпання.
 - e) **Не використовуйте ланцюгові пиляльні диски та пиляльні диски з зубцями.** Такі робочі інструменти часто спричиняють сіпання або втрату контролю над електроприладом.
- 3) ОСОБЛИВІ ПОПЕРЕДЖЕННЯ ПРИ ШЛІФУВАННІ ТА АБРАЗИВНІ ОБРІЗАННІ**
- a) **Використовуйте лише шліфувальні круги, дозволені для Вашого електроприладу, та захисний кожух, що передбачений для відповідного шліфувального круга.** Шліфувальні круги, що не передбачені для електроприладу, не можна достатньою мірою прикрити, тому вони небезпечні.
 - b) **Вигнуті шліфувальні круги потрібно монтувати таким чином, щоб їх робоча поверхня не виступала за край захисного кожуха.** Неправильно монтований шліфувальний круг, що виступає за край захисного кожуха, не захищений достатнім чином.
 - c) **Захисний кожух має бути надійно встановлений на електроприладі та відрегульований таким чином, щоб досягти максимальної безпеки, тобто щоб на особу, що обслуговує прилад, дивилася якомога менша частина неприкритого шліфувального круга.** Захисний кожух має захищати особу, що обслуговує прилад, від уламків, випадкового контакту із шліфувальним кругом, та іскрами, що можуть запалити одяг.
 - d) **Шліфувальні круги можна використовувати лише для рекомендованих видів робіт.** Наприклад: Ніколи не шліфуйте боковою поверхнею відрізного круга. Відрізні круги призначені для знімання матеріалу кромокю круга. Бічне навантаження може зламати шліфувальний круг.
 - e) **Завжди використовуйте для вибраного Вами шліфувального круга непошкоджений затисник фланець відповідного розміру та форми.** Придатний фланець підтримує шліфувальний круг і, таким чином, зменшує небезпеку переломлення шліфувального круга. Фланці для відрізних шліфувальних кругів можуть відрізнитися від фланців для інших шліфувальних кругів.
 - f) **Не використовуйте зношені шліфувальні круги, що вживалися на електроприладах більших розмірів.** Шліфувальні круги для більших електроприладів не розраховані на більшу кількість обертів менших електроприладів та можуть ламатися.
- 4) ІНШІ ОСОБЛИВІ ПОПЕРЕДЖЕННЯ ПРИ ВІДРІЗАННІ ШЛІФУВАЛЬНИМ КРУГОМ**
- a) **Уникайте застрявання відрізного круга або занадто сильного натисання. Не робіть занадто глибоких надрізів.** Занадто сильне натисання на відрізний круг збільшує навантаження на нього та його схильність до переносу або застрявання і таким чином збільшує можливість сіпання або ламання шліфувального круга.
 - b) **Уникайте зони попереду та позаду відрізного круга, що обертається.** Якщо Ви пересуваєте відрізний круг в оброблюваному матеріалі в напрямку від себе, при сіпанні електроприлад з кругом, що обертається, може відскочити прямо на Вас.
 - c) **Якщо відрізний круг заклинить або Ви зупините роботу, вимкніть електроприлад та тримайте його спойний, поки круг не зупиниться. Ніколи не намагайтеся вийняти з прорізу відрізний круг, що ще обертається, інакше електроприлад може сіпнутися.** З'ясуйте та усуньте причину заклинення.
 - d) **Не вмийайте електроприлад до тих пір, поки він ще знаходиться в оброблюваному матеріалі.** Дайте відрізного кругу спочатку досягти повного числа обертів, перш ніж Ви обережно продовжите роботу. В протилежному випадку круг може застряти, вискочити з оброблюваного матеріалу або сіпнутися.
 - e) **Підпирайте плити або великі оброблювані поверхні, щоб зменшити ризик сіпання через заклинення відрізного круга.** Великі оброблювані поверхні можуть прогинатися під власною вагою. Оброблюваний матеріал треба підпирати з обох боків: як поблизу від прорізу, так і з краю.
 - f) **Будьте особливо обережні при прорізах в стінах або в інших місцях, в які Ви не можете зазірнути.** Відрізний круг, що занурюється, може порізати газопровід або водопровід, електропроводку або інші об'єкти і спричинити сіпання.

ДОДАТКОВІ ВКАЗІВКИ З ТЕХНІКИ БЕЗПЕКИ

ЗАГАЛЬНЕ

- Цей інструмент не підходить для мокрої різки/шліфовки
- Використовуйте тільки ті фланці, що поставляються з інструментом
- Цей інструмент не можна використовувати особам віком до 16 років
- **Виймайте акумулятор з інструмента перед виконанням будь-яких регулювань або замінювання частин та приладдя**

АНКЕСАУАРИ

- SKIL гарантує надійну роботу інструмента тільки при використанні відповідного приладдя
- При установці/використанні насадок не від фірми SKIL, дотримуйтесь інструкції відповідного заводу-виробника
- **Використовуйте лише фувальні/відрізні круги з максимальною шириною 6 мм та діаметром посадочного отвору 22 мм**
- Не допускається використання яких-небудь переходників для встановлення шліфувальних/відрізних кругів з отвором більшого діаметра
- Заборонено використання насадок з "глухим" отвором меншим, ніж M14 x 21 мм
- Поводьтесь та зберігайте шліфувальні/відрізні круги обережно, щоб запобігти появу на них тріщин та розколів

ПЕРЕД ВИКОРИСТАННЯМ

- Перед використанням інструменту в перший раз радимо отримати практичну інформацію
- Завжди встановлюйте бокову ручку E ② а захисний кожух F ②; ніколи не використовуйте інструмент без них
- **Використовуйте придатні пошукові прилади для знаходження захованих в будівлі труб та кабелів або зверніться за допомогою в місцеве підприємство електро-, газо- та водопостачання (зачеплення електропроводки може призводити до пожежі та удару електричним струмом; зачеплення газової труби може призводити до вибуху; зачеплення водопровідної труби може завдати шкоду матеріальним цінностям або призводити до удару електричним струмом)**
- **Не обробляйте матеріали, що містять асбест (асбест вважається канцерогенним)**
- Пил від таких матеріалів, як свинцовоутримуюча фарба, деякі породи дерева, мінерали й метал, може бути шкідливим (контакт із таким пилом або його вдихання може стати причиною виникнення в оператора або осіб, що перебувають поруч, алергійних реакцій і/або респіраторних захворювань); **надягайте респіратор і працюйте з пиловидальним пристроєм під час увімкнення інструмента**
- Деякі види пилу класифікуються як канцерогенні (наприклад, дубовий або буковий пил), особливо в сполученні з добавками для кондиціонування деревини; **надягайте респіратор і працюйте з пиловидальним пристроєм під час увімкнення інструмента**
- Слідуйте інструкціям по роботі з матеріалами, продуцуючими пил
- Будьте особливо обережними при прорізанні прорізів у несучих стінах (такі прорізи необхідно узгодити з архітектором або з інспектором по будівництву)

- **Зафіксуйте оброблювану деталь** (оброблювана деталь, зафіксована за допомогою затискних пристроїв або лещат, закріплюється краще, ніж вручну)
- Не затискайте інструмент у тисках

ПІД ЧАС ВИКОРИСТАННЯ

- У разі електричної або механічної несправності негайно відключите інструмент і вийміть акумулятор
- При вимкненому захисті акумулятора або знятому акумуляторі інструмент сам знову не увімкнеться; для повторного увімкнення інструменту розблокуйте вимикач живлення й увімкніть інструмент ⑩

ПІСЛЯ ВИКОРИСТАННЯ

- Після вимкнення інструмента ніколи не намагайтесь зупинити обертання насадок за допомогою прикладання поперечної сили

АКУМУЛЯТОР

- **Акумулятор, який постачається в комплекті, є частково зарядженим** (повністю зарядіть акумулятор в зарядному пристрої перед першим використанням свого електроінструменту, щоб забезпечити повну потужність акумулятора)
- **Використовуйте з інструментом тільки такі акумулятори і зарядні пристрої**
 - Акумулятор SKIL: BR1*31****
 - Зарядний пристрій SKIL: CR1*31****
- Не використовуйте пошкоджений акумулятор; його треба замінити
- Не розбирайте акумулятор
- Виключіть можливість потрапляння дощу на інструмент або акумулятор
- Дозволена температура довкілля (інструмент/зарядний пристрій/акумулятор):
 - під час зарядження 4...40°C
 - під час роботи -20...+50°C
 - під час зберігання -20...+50°C

ПОЯСНЕННЯ ДО УМОВНИХ ПОЗНАЧЕНЬ НА ІНСТРУМЕНТІ/АКУМУЛЯТОРІ

- ③ Перед використанням прочитайте інструкцію із застосування
- ④ Одягайте захисні окуляри та засоби захисту волосся
- ⑤ При влученні у вогонь батареї вибухають, тому в жодному разі не спалюйте батареї
- ⑥ Зберігайте інструмент/зарядний пристрій/акумулятор при температурі не більшій 50°C
- ⑦ Не викидайте електроінструмент та батареї разом зі звичайним сміттям

ВИКОРИСТАННЯ

- Заряджання акумулятора
! ознайомтеся з попередженнями і вказівками з техніки безпеки, які надаються з зарядним пристроєм
- Видалення/встановлення батареї ②
- Індикатор рівня заряду батареї ⑧
 - натисніть кнопку індикатора рівня заряду акумулятора L, щоб дізнатися поточний рівень заряду ⑧а
 - ! якщо після натискання кнопки L ⑧b починає блимати індикатор найнижчого рівня заряду батареї, то батарея розряджена**
 - ! якщо 2 увес індикатор рівня заряду батареї після натискання кнопки L ⑧c починає блимати, батарея не знаходиться в допустимому діапазоні робочих температур**

- **Захист акумулятора**
Інструмент раптово вимикається або не вмикається, якщо
 - **навантаження занадто високе** -- > приберіть навантаження і перезалупіть
 - **температура батареї не знаходиться в допустимому діапазоні робочих температур від -20 до +50°C** -- > 2 усі індикатори рівня батареї починають блимати при натисканні кнопки L ⑧c; зачекайте, поки батарея не повернеться в допустимий діапазон робочих температур
 - **батарею майже розряджено (для захисту від глибокого розряду)** --> низький рівень заряду батареї або блимання низького рівня заряду батареї ⑧b показано індикатором рівня заряду батареї при натисканні кнопки L; зарядіть батарею
- ! **не продовжуйте роботу та не натискайте вмикач після автоматичного вимкнення інструмента; такими діями можна пошкодити батарею**
- **Установлення насадок ②**
! **виймайте акумулятор з інструмента**
 - відчистіть шпindel A та всі деталі, що будуть встановленні
 - затягніть затискний фланець B гайковим ключем C при нажатій кнопці блокування шпінделя D
 - ! **натисніть кнопку блокування шпінделя D тільки після повної зупинки шпінделя A**
 - зняття насадок проводиться у зворотному порядку
 - ! **час роботи шліфувальні/відрізні круги сильно розгріваються; не доторкайтесь до них поки вони не остигнуть**
 - ! **ніколи не використовуйте шліфувальний/відрізний круг без маркування (за її наявності)**
- **Установлення бокову ручку E ④**
! **виймайте акумулятор з інструмента**
 - угвинтите допоміжну рукоятку E в інструмент справа, зверху або зліва (залежно від роботи, яку треба виконати)
- **Зняття/установлення/регулювання захисний кожух F ⑩**
! **виймайте акумулятор з інструмента**
! **переконайтесь в тому, що закрита сторона захисного кожуха знаходиться з боку оператора**
 - у разі потреби, зафіксуйте захисний кожух F, затягнувши гвинт G, який передбачено виробником при виготовленні товару (**переконайтесь, що захисний кожух надійно закритий**)
- **Перед використанням інструмента**
 - упевніться, що приладдя правильно встановлене і міцно закріплене
 - перевірте чи приладдя вільно обертається при повертанні рукою
 - увімкніть для проби інструмент принаймні на 60 секунд на найвищих оборотах без навантаження, тримаючи його у безпечній позиції
 - негайно вимкніть інструмент у випадку значної вібрації або інших дефектів і перевірте інструмент щоб визначити причину
- **Увімкнення/вимкнення блокувального перемикача J ⑪**
 - увімкніть інструмент ⑪a
- ! **будьте готові до ривка інструмента при увімкненні**

! перш ніж приладдя торкнеться оброблюваного виробу, інструмент повинен набрати повні оберти

- заблокуйте вмикач ⑪b
- розблокуйте вмикач/відключіть інструмент ⑪c

! перш ніж вимкнути інструмент, його треба відвести від оброблюваного виробу

! аксесуар продовжує обертатися деякий час після вимкнення інструмента

- **Шліфування ⑫**
 - пересувайте інструмент вперед та назад із помірним навантаженням
 - ! **ніколи не використовуйте різального диску для бокового шліфування**
- **Різка ⑬**
 - не нахиляйте інструмент при різці
 - для того, щоб попередити виштовхування інструменту з різальної ділянки, рухайте ним тільки в тому напрямі, що вказаний стрілкою на голівці інструменту
 - не прикладайте зусиль на інструмент, тому що швидкості обертання ріжучого круга достатньо для виконання роботи
 - робоча швидкість швидкість відрізного круга залежить від матеріалу поверхні, що обробляється
 - не зупиняйте відрізний круг за допомогою бічного зусилля
- **Утримування і робота інструментом**
 - для забезпечення контролю над інструментом завжди тримайте його міцно, двома руками
 - ! **під час роботи, завжди тримайте інструмент за частини захвату сірого кольору ⑭**
 - оберіть безпечне положення для роботи
 - звертайте увагу на напрям обертання; завжди тримайте інструмент так, щоб іскри та пилюка шліфування/різки направлялись в бік від тіла
 - тримайте вентиляційні отвори K ② незакритими
- **Установлення і видалення гайковим ключем C ⑤**
 - застосовується тільки коли інструмент використовується з додатковою ручкою з інтегрованим відсіком для зберігання гайкового ключа

ПОРАДИ ПО ВИКОРИСТАННЮ

- Дивіться додаткову інформацію на сайті www.skil.com

ДОГЛЯД/ОБСЛУГОВУВАННЯ

- Цей інструмент не придатний для промислового використання
- Завжди тримайте інструмент в чистоті (особливо вентиляційні отвори K ②)
- ! **виймайте акумулятор з інструмента перед очищенням**
- Якщо незважаючи на ретельну технологію виготовлення і перевірки інструмент все-таки вийде з ладу, його ремонт дозволяється виконувати лише в авторизованій сервісній майстерні для електроприладів SKIL
 - надішліть **нерозібраний** інструмент разом з доказом купівлі до Вашого дилера або до найближчого центру обслуговування SKIL (адреси, а також діаграма обслуговування пристрою, подаються на сайті www.skil.com)

- Візьміть до відома, що ушкодження внаслідок перевантаження або неналежного поводження з інструментом не будуть включені в гарантію (умови гарантії SKIL див. на сайті www.skil.com або довідайтеся в дилера у Вашому регіоні)

ΟΧΟΡΟΝΑ НАВΚΟΛΙШНЬОЇ СЕРЕДИ

- **Не викидайте електроінструмент, батареї, належності та упакування разом зі звичайним сміттям** (тільки для країн ЄС)
 - відповідно до європейської директиви 2012/19/ЄС щодо утилізації старих електричних та електронних приладів, в залежності з місцевим законодавством, електроінструмент, який перебував в експлуатації повинен бути утилізований окремо, безпечним для навколишнього середовища шляхом
 - малюнок ⑦ нагадає вам про це
- ! **перед тим, як позбутися акумулятора: заклейте грубою клейкою стрічкою клемми, щоб запобігти короткому замиканню**

ШУМ / ВІБΡΑЦІЯ

- **3920**
За вимірами відповідно до EN 60745 рівень звукового тиску цього інструменту становлює 80,0 дБ(А) та рівень потужності звуку дорівнює 91,5 дБ(А) (коефіцієнт недостовірності K = 3 дБ), а вібрація під час шліфування 5,5 м/с² (трисекційна векторна сума; коефіцієнт недостовірності K = 1,5 м/с²)
! **при іншому застосуванні (наприклад, обрізанні) показники вібрації можуть змінюватись**
- **3921**
За вимірами відповідно до EN 60745 рівень звукового тиску цього інструменту становлює 80,0 дБ(А) та рівень потужності звуку дорівнює 91,0 дБ(А) (коефіцієнт недостовірності K = 3 дБ), а вібрація під час шліфування 4,3 м/с² (трисекційна векторна сума; коефіцієнт недостовірності K = 1,5 м/с²)
! **при іншому застосуванні (наприклад, обрізанні) показники вібрації можуть змінюватись**
- Рівень вібрації було виміряно у відповідності зі стандартизованим випробуванням, що міститься в EN 60745; дана характеристика може використовуватися для порівняння одного інструмента з іншим, а також для попередньої оцінки впливу вібрації під час застосування даного інструмента для вказаних цілей
 - при використанні інструмента в інших цілях або з іншими/несправними допоміжними пристосуваннями рівень впливу вібрації може значно **підвищуватися**
 - у періоди, коли інструмент вимикнений або функціонує без фактичного виконання роботи, рівень впливу вібрації може значно **знижуватися**
- ! **захийчайте себе від впливу вібрації, підтримуючи інструмент і його допоміжні пристосування в справному стані, підтримуючи руки в теплі, а також правильно організовуючи свій робочий процес**

GR

Επαναφορτιζόμενος γωνιακός τροχός

3920/3921

ΕΙΣΑΓΩΓΗ

- Αυτό το εργαλείο προορίζεται για ελαφριά τρόχιμα, κοπή και αφαίρεση γρεζιών μετάλλου και πέτρας χωρίς τη χρήση νερού
- Αυτό το εργαλείο δεν προορίζεται για επαγγελματική χρήση
- **Μην ασκείτε πίεση στο εργαλείο, αφήστε την ταχύτητα του δίσκου κοπής να κάνει τη δουλειά για σας**
- **Οι εργασίες κοπής με τη χρήση τροχών κοπής επιτρέπονται μόνο με τη χρήση του προστατευτικού κοπής (διατίθεται προαιρετικά ως αξεσουάρ SKIL 2610S00253 (3920) / 2610S00275 (3921))**
- Διαβάστε και φυλάξτε αυτές τις οδηγίες χρήσεως ③

ΤΕΧΝΙΚΑ ΧΑΡΑΚΤΗΡΙΣΤΙΚΑ ①

ΜΕΡΗ ΤΟΥ ΕΡΓΑΛΕΙΟΥ ②

- A Άτρακτος
- B Φλάντζα σύσφιξης
- C Γαλλικό κλειδί
- D Κουμπί ασφάλισης της άτρακτου
- E Βοηθητική λαβή
- F Προφυλακτήρας
- G Βίδα προφυλακτήρα
- H Φλάντζα στερέωσης
- J Διακόπτης ασφαλείας εκκίνησης/στάσης
- K Σχισμές αερισμού
- L Ένδειξη κατάστασης μπαταρίας
- M Μοχλός προφυλακτήρα

ΑΣΦΑΛΕΙΑ

ΓΕΝΙΚΕΣ ΥΠΟΔΕΙΞΕΙΣ ΑΣΦΑΛΕΙΑΣ ΓΙΑ ΗΛΕΚΤΡΙΚΑ ΕΡΓΑΛΕΙΑ

ΠΡΟΕΙΔΟΠΟΙΗΣΗ Διαβάστε όλες τις προειδοποιήσεις ασφαλείας καθώς και τις οδηγίες, εικόνες και προδιαγραφές που παρέχονται με αυτό το ηλεκτρικό εργαλείο. Αμέλεια τήρησης όλων των οδηγιών που παρατίθενται παρακάτω μπορεί να προκαλέσει ηλεκτροπληξία, πτυκαγιά ή/και σοβαρό τραυματισμό.

Φυλάξτε όλες τις υποδείξεις ασφαλείας και τις οδηγίες για το μέλλον.

Ο ορισμός “ηλεκτρικό εργαλείο” που χρησιμοποιείται στις προειδοποιητικές υποδείξεις αναφέρεται σε ηλεκτρικά εργαλεία που τροφοδοτούνται από το ηλεκτρικό δίκτυο (με ηλεκτρικό καλώδιο) καθώς και σε ηλεκτρικά εργαλεία που τροφοδοτούνται από μπαταρία (χωρίς ηλεκτρικό καλώδιο).

1) ΑΣΦΑΛΕΙΑ ΣΤΟ ΧΩΡΟ ΕΡΓΑΣΙΑΣ

- a) Διατηρείτε το χώρο που εργάζεσθε καθαρό και καλά φωτισμένο. Αταξία στο χώρο που εργάζεσθε

- ή μη φωτισμένες περιοχές εργασίας μπορεί να οδηγήσουν σε ατυχήματα.
- b) **Μην εργάζεστε με το ηλεκτρικό εργαλείο σε περιβάλλον που υπάρχει κίνδυνος έκρηξης, στο οποίο υπάρχουν εύφλεκτα υγρά, αέρια ή σκόνη.** Τα ηλεκτρικά εργαλεία μπορεί να δημιουργήσουν σπινθηρισμό ο οποίος μπορεί να αναφλέξει τη σκόνη ή τις αναθυμιάσεις.
- c) **Όταν χρησιμοποιείτε το ηλεκτρικό εργαλείο κρατάτε τα παιδιά κι άλλα τυχόν πρόσωπα μακριά από το χώρο που εργάζεστε.** Σε περίπτωση που άλλα άτομα αποσπάσουν την προσοχή σας μπορεί να χάσετε τον έλεγχο του μηχανήματος.
- 2) ΗΛΕΚΤΡΙΚΗ ΑΣΦΑΛΕΙΑ**
- a) **Το φως του καλωδίου του ηλεκτρικού εργαλείου πρέπει να ταιριάζει στην αντίστοιχη πρίζα. Δεν επιτρέπεται με κανένα τρόπο η μετασκευή του φως. Μη χρησιμοποιείτε προσαρμοστικά φως σε συνδυασμό με ηλεκτρικά εργαλεία συνδεδεμένα με τη γη (γειωμένα).** Αθικτα φως και κατάλληλες πρίζες μειώνουν τον κίνδυνο ηλεκτροπληξίας.
- b) **Αποφεύγετε την επαφή του σώματος σας με γειωμένες επιφάνειες όπως σωλήνες, θερμαντικά σώματα (καλοριφέρ), κουζίνες και ψυγεία.** Όταν το σώμα σας είναι γειωμένο αυξάνεται ο κίνδυνος ηλεκτροπληξίας.
- c) **Μην εκθέτετε το ηλεκτρικό εργαλείο στη βροχή ή την υγρασία.** Η διείσδυση νερού στο ηλεκτρικό εργαλείο αυξάνει τον κίνδυνο ηλεκτροπληξίας.
- d) **Μη χρησιμοποιείτε το καλώδιο για να μεταφέρετε ή ν' αναρτήσετε το ηλεκτρικό εργαλείο ή για να βγάλετε το φως από την πρίζα. Κρατάτε το καλώδιο μακριά από υψηλές θερμοκρασίες, λάδια, κοφτερές ακμές ή κινούμενα εξαρτήματα.** Τυχόν χαλασμένα ή μπερδεμένα καλώδια αυξάνουν τον κίνδυνο ηλεκτροπληξίας.
- e) **Όταν εργάζεστε με το ηλεκτρικό εργαλείο στο ύπαιθρο χρησιμοποιείτε πάντοτε καλώδια επιμήκυνσης (μπαλαντάζες) που έχουν εγκριθεί για χρήση σε εξωτερικούς χώρους.** Η χρήση καλωδίων επιμήκυνσης εγκριμένων για εργασία σε εξωτερικούς χώρους μειώνει τον κίνδυνο ηλεκτροπληξίας.
- f) **Όταν η χρήση του ηλεκτρικού εργαλείου σε υγρό περιβάλλον είναι αναπόφευκτη, τότε χρησιμοποιήστε έναν προστατευτικό διακόπτη διαρροής.** Η χρήση ενός προστατευτικού διακόπτη διαρροής ελαττώνει τον κίνδυνο ηλεκτροπληξίας.
- 3) ΑΣΦΑΛΕΙΑ ΠΡΟΣΩΠΩΝ**
- a) **Να είστε πάντοτε προσεκτικός/προσεκτική, να δίνετε προσοχή στην εργασία που κάνετε και να χειρίζεστε το ηλεκτρικό εργαλείο με περισκεψή. Μην κάνετε χρήση του ηλεκτρικού εργαλείου όταν είσθε κουρασμένος/κουρασμένη ή όταν βρίσκεσθε υπό την επιρροή ναρκωτικών, οινοπνεύματος ή φαρμάκων.** Μια στιγμήα απροσεξία κατά το χειρισμό του ηλεκτρικού εργαλείου μπορεί να οδηγήσει σε σοβαρούς τραυματισμούς.
- b) **Φοράτε προστατευτικά ενδύματα και πάντοτε προστατευτικά γυαλιά.** Όταν φοράτε ενδύματα ασφαλείας, ανάλογα με το υπό χρήση ηλεκτρικό εργαλείο, όπως προστατίδια προστασίας από σκόνη, αντιολισθητικά παπούτσια ασφαλείας, κράνη ή ωταπίδες, μειώνεται ο κίνδυνος τραυματισμών.
- c) **Αποφεύγετε την αθέλητη εκκίνηση. Βεβαιωθείτε ότι το ηλεκτρικό εργαλείο έχει αποζευχτεί πριν το συνδέσετε με το ηλεκτρικό δίκτυο ή/και με την μπαταρία καθώς και πριν το παραλάβετε ή το μεταφέρετε.** Όταν μεταφέρετε το ηλεκτρικό εργαλείο έχοντας το δάχτυλό σας στο διακόπτη ή όταν συνδέσετε το μηχανήμα με την πηγή ρεύματος όταν αυτό είναι ακόμη συζευγμένο, τότε δημιουργείται κίνδυνος τραυματισμών.
- d) **Αφαιρείτε από τα ηλεκτρικά εργαλεία πριν τα θέσετε σε λειτουργία τυχόν συναρμολογημένα χρησιμοποιήσιμα εργαλεία ή κλειδιά.** Ένα εργαλείο ή κλειδί συναρμολογημένο στο περιστρεφόμενο εξάρτημα ενός ηλεκτρικού εργαλείου μπορεί να οδηγήσει σε τραυματισμούς.
- e) **Μην υπερεκτιμάτε τον εαυτό σας. Φροντίζετε για την ασφαλή στήριξη του σώματος σας και διατηρείτε πάντοτε την ισορροπία σας.** Αυτό σας επιτρέπει τον καλύτερο έλεγχο το ηλεκτρικού εργαλείου σε περιπτώσεις απροσδόκητων καταστάσεων.
- f) **Φοράτε κατάλληλη ενδυμασία εργασίας. Μη φοράτε φορδιά ρούχα ή κοσμήματα. Κρατάτε τα μαλλιά και τα ρούχα σας μακριά από κινούμενα εξαρτήματα.** Χαλαρή ενδυμασία, κοσμήματα και μακριά μαλλιά μπορεί να εμπλακούν στα κινούμενα εξαρτήματα.
- g) **Αν υπάρχει η δυνατότητα συναρμολόγησης διατάξεων αναρρόφησης ή συλλογής σκόνης, βεβαιωθείτε αν οι διατάξεις αυτές είναι συνδεδεμένες καθώς κι αν χρησιμοποιούνται σωστά.** Η χρήση μιας αναρρόφησης σκόνης μπορεί να ελαττώσει τον κίνδυνο που προκαλείται από τη σκόνη.
- h) **Μην εφησυχάζετε σε μια λάθος ασφάλεια και μην απηφάτε τους κανόνες ασφαλείας για τα ηλεκτρικά εργαλεία, ακόμα και όταν μετά από συχνή χρήση είστε εξοικειωμένοι με το εργαλείο.** Ένας απρόσεκτος χειρισμός μπορεί μέσα σε κλάσματα του δευτερολέπτου να οδηγήσει σε σοβαρούς τραυματισμούς.
- 4) ΧΡΗΣΗ ΚΙ ΕΠΙΜΕΛΗΣ ΧΕΙΡΙΣΜΟΣ ΤΩΝ ΗΛΕΚΤΡΙΚΩΝ ΕΡΓΑΛΕΙΩΝ**
- a) **Μην υπερφορτώνετε το ηλεκτρικό εργαλείο. Χρησιμοποιείτε για την εκάστοτε εργασία σας το ηλεκτρικό εργαλείο που προορίζεται γι' αυτήν.** Με το κατάλληλο ηλεκτρικό εργαλείο εργάζεσθε καλύτερα και ασφαλέστερα στην αναφερόμενη περιοχή ισχύος.
- b) **Μη χρησιμοποιήσετε ποτέ ένα ηλεκτρικό εργαλείο του οποίου ο διακόπτης ON/OFF είναι χαλασμένος.** Ένα ηλεκτρικό εργαλείο το οποίο δεν μπορεί να τεθεί πλέον σε ή εκτός λειτουργίας είναι επικίνδυνο και πρέπει να επισκευαστεί.
- c) **Τραβήξτε το φως από την πρίζα και/ή απομακρύνετε μια αποσπώμενη μπαταρία, προτού εκτελέσετε ρυθμίσεις στο ηλεκτρικό εργαλείο, πριν αλλάξετε εξαρτήματα ή φυλάξετε το ηλεκτρικό εργαλείο.** Αυτά τα προληπτικά μέτρα ασφαλείας μειώνουν τον κίνδυνο από τυχόν αθέλητη εκκίνηση του ηλεκτρικού εργαλείου.
- d) **Διαφυλάγετε τα ηλεκτρικά εργαλεία που δε χρησιμοποιείτε μακριά από παιδιά. Μην αφήνετε άτομα που δεν είναι εξοικειωμένα με το ηλεκτρικό εργαλείο ή δεν έχουν διαβάσει αυτές τις οδηγίες**

- χρήσης να το χρησιμοποιήσουν. Τα ηλεκτρικά εργαλεία είναι επικίνδυνα όταν χρησιμοποιούνται από άπειρα πρόσωπα.
- e) **Φροντίξτε τα ηλεκτρικά εργαλεία και τα εξάρτημα με επιμέλεια. Ελέγχετε, αν τα κινούμενα εξαρτήματα λειτουργούν άμοφα, χωρίς να μπλοκάρουν, ή μήπως έχουν σπάσει ή φθαρεί τυχόν εξαρτήματα τα οποία επηρεάζουν τον τρόπο λειτουργίας του ηλεκτρικού εργαλείου. Δώστε αυτά τα χαλασμένα εξαρτήματα για επισκευή πριν τα ξαναχρησιμοποιήσετε.** Η κακή συντήρηση των ηλεκτρικών εργαλείων αποτελεί αιτία πολλών ατυχημάτων.
- f) **Διατηρείτε τα κοπτικά εργαλεία κοφτερά και καθαρά.** Τα κοπτικά εργαλεία που συντηρούνται με προσοχή μπορούν να οδηγηθούν εύκολα και να ελεγχθούν καλύτερα.
- g) **Χρησιμοποιείτε τα ηλεκτρικά εργαλεία, τα εξαρτήματα, τα χρησιμοποιήσιμα εργαλεία κτλ. σύμφωνα με τις παρούσες οδηγίες καθώς. Λαμβάνετε ταυτόχρονα υπόψη σας τις συνθήκες εργασίας και την υπό εκτέλεση εργασία.** Η χρήση του ηλεκτρικού εργαλείου για άλλες εκτός από τις προβλεπόμενες εργασίες μπορεί να δημιουργήσει επικίνδυνες καταστάσεις.
- h) **Διατηρείτε τις λαβές και επιφάνειες λαβής στεγνές, καθαρές και ελεύθερες από λάδι και γράσο.** Οι ολισθηρές λαβές και επιφάνειες λαβής δεν επιτρέπουν κανέναν ασφαλή χειρισμό και έλεγχο του ηλεκτρικού εργαλείου σε τυχόν απρόβλεπτες καταστάσεις.
- 5) ΧΡΗΣΗ ΚΙ ΕΠΙΜΕΛΗΣ ΧΕΙΡΙΣΜΟΣ ΕΡΓΑΛΕΙΩΝ ΜΠΑΤΑΡΙΑΣ**
- a) **Φορτίζετε μόνο με φορτιστές που προβλέπει ο κατασκευαστής.** Η φόρτιση με φορτιστές που δεν προορίζονται για τον υπό φόρτιση τύπο του μπλοκ μπαταρίας δημιουργεί κίνδυνο πυρκαγιάς.
- b) **Χρησιμοποιείτε τα ηλεκτρικά εργαλεία πάντοτε με τα προβλεπόμενα για αυτά μπλοκ μπαταρίας.** Η χρήση διαφορετικών μπλοκ μπαταρίας μπορεί να οδηγήσει σε τραυματισμούς ή πυρκαγιά.
- c) **Διαφυλάγτε τις μπαταρίες που δε χρησιμοποιείτε μακριά από μεταλλικά αντικείμενα, π.χ. από συνδετήρες χαρτιών, νομίσματα, κλειδιά, καρφιά, βίδες κί άλλα παρόμοια μικροαντικείμενα, τα οποία θα μπορούσαν να επιγεφυρώσουν τις διάφορες μεμονωμένες επαφές.** Μια επιγεφυρώση από μεταλλικά αντικείμενα μπορεί να προκαλέσει βραχυκύκλωμα, σπινθηρισμό ή πυρκαγιά.
- d) **Υπό δυσμενείς συνθήκες λειτουργίας μπορεί να διαρρέουν υγρά από την μπαταρία. Αποφεύγετε κάθε επαφή με μια μη στεγανή μπαταρία. Σε περίπτωση ακούσιας επαφής με τα υγρά, ξεπλύντε αμσπως με νερό την αντίστοιχη θψη επαφής. Εκτός από αυτό, αν τα υγρά διεισδύουν στα μάτια σας, επισκεφτείτε χωρίς καθυστηρηση πνα γιατρό.** Τα διαρρόντα υγρά των μπαταριών μπορεί να προκαλέσουν ερεθισμούς ή και εγκαύματα.
- e) **Μη χρησιμοποιείτε καμία χαλασμένη ή τροποποιημένη μπαταρία ή ηλεκτρικό εργαλείο.** Οι χαλασμένες ή τροποποιημένες μπαταρίες μπορεί να παρουσιάσουν μια απρόβλεπτη συμπεριφορά και να οδηγήσουν σε φωτιά, έκρηξη ή σε κίνδυνο τραυματισμού.

- f) **Μην εκθέτετε μια μπαταρία ή ένα ηλεκτρικό εργαλείο σε φωτιά ή σε πολύ υψηλές θερμοκρασίες.** Η φωτιά ή οι θερμοκρασίες πάνω από 130°C μπορεί να προκαλέσουν μια έκρηξη.
- g) **Θηρέει όλες τις υποδείξεις για τη φόρτιση και μη φορτίζετε την μπαταρία ή το εργαλείο μπαταρίας ποτέ εκτός της περιοχής θερμοκρασίας που αναφέρεται στις οδηγίες λειτουργίας.** Η λάθος φόρτιση ή η φόρτιση εκτός της επιτρεπτής περιοχής θερμοκρασίας μπορεί να καταστρέψει την μπαταρία και να αυξήσει τον κίνδυνο πυρκαγιάς.
- 6) ΣΕΡΒΙΣ**
- a) **Δίνετε το ηλεκτρικό σας εργαλείο για επισκευή από άριστα ειδικευμένο προσωπικό, μόνο με γνήσια ανταλλακτικά.** Ετσι εξασφαλίζεται η διατήρηση της ασφάλειας του ηλεκτρικού εργαλείου.
- b) **Μη συντηρείτε ποτέ χαλασμένες μπαταρίες.** Κάθε συντήρηση των μπαταριών πρέπει να πραγματοποιείται μόνο από τον κατασκευαστή ή από εξουσιοδοτημένα συνεργεία σέρβις πελατών.

ΥΠΟΔΕΙΞΕΙΣ ΑΣΦΑΛΕΙΑΣ ΓΙΑ ΓΩΝΙΑΚΟΥΣ ΤΡΟΧΟΥΣ

- 1) ΚΟΙΝΕΣ ΠΡΟΕΙΔΟΠΟΙΗΤΙΚΕΣ ΑΠΟΔΕΙΞΕΙΣ ΓΙΑ ΛΕΙΑΝΣΗ, ΛΕΙΑΝΣΗ ΜΕ ΣΜΥΡΙΔΟΧΑΡΤΟ, ΓΙΑ ΕΡΓΑΣΙΕΣ ΜΕ ΣΥΡΜΑΤΟΒΟΥΡΤΣΕΣ, ΓΙΑ ΣΤΙΛΒΩΣΗ ΚΑΙ ΓΙΑ ΕΡΓΑΣΙΕΣ ΚΟΠΗΣ**
- a) **Αυτό το ηλεκτρικό εργαλείο πρέπει να χρησιμοποιείται σαν λειαντήρας καθώς και σαν μηχανήμα κοπής. Να λαμβάνετε πάντοτε υπόψη σας όλες τις προειδοποιητικές υποδείξεις, τις οδηγίες, τις απεικονίσεις και τα στοιχεία που σας παραδίνονται μαζί με το ηλεκτρικό εργαλείο.** Η μη τήρηση των οδηγιών που ακολουθούν, μπορεί να οδηγήσει σε ηλεκτροπληξία, φωτιά και/ή σε σοβαρούς τραυματισμούς.
- b) **Αυτό το ηλεκτρικό εργαλείο δεν συστήνεται για λειτουργίες λείανσης, βουρτσίσματος σύρματος ή στιλβωσης.** Λειτουργίες για τις οποίες το ηλεκτρικό εργαλείο δεν έχει σχεδιαστεί μπορεί να δημιουργήσει κίνδυνο και να προκαλέσει τραυματισμό.
- c) **Μη χρησιμοποιήσετε ποτέ εξαρτήματα που δεν προβλέπονται και δεν προτάθηκαν από τον κατασκευαστή ειδικά γι' αυτό το ηλεκτρικό εργαλείο.** Η διαπίστωση ότι μπορείτε να στερεώσετε ένα εξάρτημα στο ηλεκτρικό εργαλείο σας δεν εγγυάται την ασφαλή χρήση του.
- d) **Ο μέγιστος επιτρεπτός αριθμός στροφών του εργαλείου που χρησιμοποιείτε πρέπει να είναι τουλάχιστον τόσο υψηλός όσο ο μέγιστος αριθμός στροφών που αναφέρεται επάνω στο ηλεκτρικό εργαλείο.** Εξαρτήματα που περιστρέφονται με ταχύτητα μεγαλύτερη από την επιτρεπτή μπορεί να καταστραφούν.
- e) **Η εξωτερική διάμετρος και το πάχος του εργαλείου που χρησιμοποιείτε πρέπει να ανταποκρίνονται πλήρως στις αντίστοιχες διαστάσεις του ηλεκτρικού εργαλείου σας.** Εργαλεία με εσφαλμένες διαστάσεις δεν μπορούν να καλυφθούν ή να ελεγχθούν επαρκώς.
- f) **Εργαλεία με βιδωτή υποδοχή πρέπει να ταιριάζουν ακριβώς στο σπείρωμα του άξονα. Στα εργαλεία που συναρμολογούνται με τη**

- βοήθεια φλάντζας πρέπει η διάμετρος της τρύπας του εργαλείου να ταιριάζει στη διάμετρο της υποδοχής της φλάντζας.** Εργαλεία που δεν μπορούν να στερεωθούν ακριβώς στο ηλεκτρικό εργαλείο περιστρέφονται ανομοιόμορφα, δονούνται ισχυρά και μπορεί να οδηγήσουν στην απώλεια του ελέγχου.
- g) **Μη χρησιμοποιείτε χαλασμένα εργαλεία. Να ελέγχετε πάντοτε τα εργαλεία που πρόκειται να χρησιμοποιήσετε, π. χ. τους δίσκους κοπής για σπασίματα και ρωγμές, τους δίσκους λειανσης για ρωγμές, φθορές ή ξεφτίσματα και τις συρματόβουρτσες για χαλαρά ή σπασμένα σύρματα. Σε περίπτωση που το ηλεκτρικό εργαλείο ή κάποιο χρησιμοποιούμενο εργαλείο πέσει κάτω, τότε ελέγξτε το εργαλείο μήπως έχει υποστεί κάποια βλάβη ή χρησιμοποιήστε ένα άλλο, άψογο εργαλείο. Μετά τον έλεγχο και την τοποθέτηση του εργαλείου που πρόκειται να χρησιμοποιήσετε πρέπει να απομακρύνετε τυχόν παρευρισκόμενα πρόσωπα από το επίπεδο περιστροφής του εργαλείου ή ακολούθως να αφήσετε το ηλεκτρικό εργαλείο να εργαστεί ένα λεπτό υπό το μέγιστο αριθμό στροφών χωρίς φορτίο. Τυχόν χαλασμένα εργαλεία σπάνε ως επί το πλείστον κατά τη διάρκεια αυτού του δοκιμαστικού χρόνου.**
- h) **Χρησιμοποιείτε πάντοτε τη δική σας, ατομική προστατευτική ενδυμασία. Να χρησιμοποιείτε επίσης, ανάλογα με την εκάστοτε εργασία, προστατευτικές μάσκες, προστατευτικές διατάξεις ματιών ή προστατευτικά γυαλιά. Αν χρειαστεί, φορέστε και μάσκα προστασίας από τη σκόνη, ωτασπίδες, προστατευτικά γάντια ή μια ειδική προστατευτική ποδιά που θα σας προστατεύει από τυχόν εκσφενδονιζόμενα λειαντικά σωματίδια ή θραύσματα υλικού.** Τα μάτια πρέπει να προστατεύονται από τυχόν αιωρούμενα σωματίδια που μπορεί να δημιουργηθούν κατά την εκτέλεση των διάφορων εργασιών. Οι αναπνευστικές και οι προστατευτικές μάσκες πρέπει να φιλτράρουν τον αέρα και να συγκρατούν τη σκόνη που δημιουργείται κατά την εργασία. Σε περίπτωση που εκτεθείτε για πολύ χρόνο σε ισχυρό θόρυβο μπορεί να απωλέσετε την ακοή σας.
- i) **Φροντίζετε, τυχόν παρευρισκόμενα άτομα να βρίσκονται πάντοτε σε ασφαλή απόσταση από τον τομέα που εργάζεσθε. Κάθε άτομο που μπαίνει στον τομέα που εργάζεσθε πρέπει να φορά προστατευτική ενδυμασία.** Θραύσματα του υπό κατεργασία τεμαχίου ή σπασμένων εργαλείων μπορεί να εκσφενδονιστούν και να προκαλέσουν τραυματισμούς ακόμη κι εκτός του άμεσου τομέα εργασίας.
- j) **Να κρατάτε το ηλεκτρικό εργαλείο από τις μονωμένες επιφάνειες συγκράτησης, όταν υπάρχει κίνδυνος το εξάρτημα να έρθει σε επαφή με μη ορατούς ηλεκτροφόρους αγωγούς. Η επαφή του κοπτικού με ηλεκτροφόρο αγωγό μπορεί να θέσει τα μεταλλικά μέρη του ηλεκτρικού εργαλείου επίσης υπό τάση και προκαλείσει έτσι ηλεκτροπληξία του χειριστή.**
- k) **Να οδηγείτε το ηλεκτρικό καλώδιο σε ασφαλή απόσταση από τα περιστρεφόμενα εργαλεία. Σε περίπτωση που χάσετε τον έλεγχο του ηλεκτρικού εργαλείου το ηλεκτρικό καλώδιο μπορεί να κοπεί ή να περιπλεχτεί και το χέρι σας ή το μπράτσο σας να τραβηχτεί επάνω στο περιστρεφόμενο εργαλείο.**
- l) **Μην αποθέσετε ποτέ το ηλεκτρικό εργαλείο πριν το εργαλείο πάψει εντελώς να κινείται.** Το περιστρεφόμενο εργαλείο μπορεί να έρθει σε επαφή με την επιφάνεια στην οποία ακουμπήσατε το ηλεκτρικό εργαλείο κι έτσι να χάσετε τον έλεγχο του μηχανήματος.
- m) **Μην αφήσετε το ηλεκτρικό εργαλείο να εργάζεται όταν το μεταφέρετε.** Τα ρούχα σας μπορεί να τυλιχτούν τυχαίως από το περιστρεφόμενο εργαλείο και να τρυπήσει το κορμί σας.
- n) **Να καθαρίζετε τακτικά τις σχισμές αερισμού του ηλεκτρικού εργαλείου σας.** Ο ανεμιστήρας του κινητήρα τραβάει σκόνη μέσα στο περίβλημα και η συσσώρευση μεταλλικής σκόνης μπορεί να δημιουργήσει ηλεκτρικούς κινδύνους.
- o) **Μη χρησιμοποιείτε το ηλεκτρικό εργαλείο κοντά σε εύφλεκτα υλικά.** Ο σπινθηρισμός μπορεί να τα αναφλέξει.
- p) **Μη χρησιμοποιείτε εργαλεία που απαιτούν ψύξη με ψυκτικά υγρά.** Η χρήση νερού ή άλλων υγρών ψυκτικών μέσω των μπορεί να οδηγήσει σε ηλεκτροπληξία.
- 2) ΚΛΟΤΣΗΜΑ ΚΑΙ ΣΧΕΤΙΚΕΣ ΠΡΟΕΙΔΟΠΟΙΗΤΙΚΕΣ ΥΠΟΔΕΙΞΕΙΣ**
- Το κλότσημα είναι μια απροσδόκητη αντίδραση όταν το περιστρεφόμενο εργαλείο, π. χ. ο δίσκος κοπής, ο δίσκος λειανσης, η συρματόβουρτσα κτλ., προσκρούσει κάποιο [σκοντάψι] ή μπλοκάρει. Έτσι, ένα τυχόν μη υπό έλεγχο ευρισκόμενο ηλεκτρικό εργαλείο αντιδρά στο σημείο μπλοκαρίσματος/προσκρούσης με σφοδρότητα και περιστρέφεται με συνεχώς αυξανόμενη ταχύτητα με φορά αντίθετη εκείνης του εργαλείου.
 - Όταν π. χ. ένας δίσκος κοπής σφηνώσεται ή μπλοκάρει μέσα στο υπό κατεργασία υλικό, τότε η ακμή του δίσκου που βυθίζεται μέσα στο υλικό μπορεί να στρεβλώσει και ακολούθως ο δίσκος κοπής να βγει με ορμή και ανεξέλεγκτα από το υλικό ή να προκαλέσει κλότσημα. Όταν συμβεί αυτό ο δίσκος κοπής κινείται με κατεύθυνση προς το χειριστή/χειρίστρια ή και αντίθετα, ανάλογα με τη φορά περιστροφής στο σημείο μπλοκαρίσματος. Σε τέτοιες περιπτώσεις δεν αποκλείεται και το σπάσιμο των δίσκων κοπής.
 - Το κλότσημα είναι το αποτέλεσμα ενός εσφαλμένου ή ελλιπούς χειρισμού του ηλεκτρικού εργαλείου και μπορεί να αποφευχθεί με λήψη κατάλληλων προληπτικών μέτρων, σαν αυτά που περιγράφονται παρακάτω.
- a) **Να κρατάτε το ηλεκτρικό εργαλείο πάντοτε καλά και να παίρνετε με το σώμα σας μόνο θέσεις, στις οποίες θα μπορούσατε να αποκοδέσετε επιτυχώς ένα ενδεχόμενο κλότσημα. Να χρησιμοποιείτε πάντοτε την πρόσθετη λαβή, αν αυτή φυσικά υπάρχει, για να εξασφαλίσετε έτσι το μέγιστο δυνατό έλεγχο επί του ηλεκτρικού εργαλείου σε περίπτωση εμφάνισης αναστροφών και αντίρροπων δυνάμεων [π. χ. κλότσημα] κατά την εκκίνηση. Ο χειριστής/η χειρίστρια μπορεί να αντιμετωπίσει με επιτυχία τα κλότσηματα και τις ανάντροφες ροπές.**
- b) **Μη βάζετε ποτέ τα χέρια σας κοντά στα περιστρεφόμενα εργαλεία. Σε περίπτωση κλότσηματος το εργαλείο μπορεί να περάσει πάνω από το χέρι σας.**

- c) **Μην παίρνετε με το σώμα σας θέσεις προς τις οποίες θα κινηθεί το ηλεκτρικό εργαλείο σε περίπτωση κλοστήματος.** Κατά το κλότσημα το ηλεκτρικό εργαλείο κινείται ανεξέλεγκτα με κατεύθυνση αντίθετη προς τη φορά περιστροφής του λειαντικού εργαλείου.
- d) **Να εργάζεστε με ιδιαίτερη προσοχή σε γωνίες, κοφτερές ακμές κτλ.** Φροντίστε το λειαντικό εργαλείο να μην ανατιναχτεί από το υπό κατεργασία υλικό και να μη σφηνώσει σε αυτό. Το περιστρεφόμενο λειαντικό εργαλείο σφηνώνει εύκολα κατά την εργασία σε γωνίες και κοφτερές ακμές, ή όταν ανατινάζεται. Αυτό προκαλεί κλότσημα ή απώλεια του ελέγχου.
- e) **Να μην χρησιμοποιείτε τσαπραζωμένες ή οδοντωτές πριονόλαμες.** Τα εργαλεία αυτά προκαλούν συχνά κλότσημα ή οδηγούν σε απώλεια του ελέγχου του ηλεκτρικού εργαλείου.
- 3) ΠΡΟΕΙΔΟΠΟΙΗΣΕΙΣ ΑΣΦΑΛΕΙΑΣ ΙΔΙΑΙΤΕΡΑ ΓΙΑ ΤΡΟΧΙΣΜΑ ΚΑΙ ΚΟΠΗ ΜΕ ΤΡΟΧΟ**
- a) **Να χρησιμοποιείτε αποκλειστικά λειαντικά σώματα που είναι εγκριμένα για το ηλεκτρικό εργαλείο σας και μόνο προφυλακτικές που προβλέπονται για αυτά τα λειαντικά σώματα.** Λειαντικά σώματα που δεν προβλέπονται για το ηλεκτρικό εργαλείο δεν μπορούν να καλυφτούν επαρκώς και για αυτό είναι ανασφαλής.
- b) **Κυρτοί δίσκοι λείανσης πρέπει να συναρμολογούνται κατά τέτοιο τρόπο, ώστε η επιφάνεια λείανσης να καλύπτεται από τον προφυλακτήρα.** Αντικανονικά συναρμολογημένοι δίσκοι λείανσης, των οποίων η επιφάνεια λείανσης δεν καλύπτεται από τον προφυλακτήρα, δεν μπορούν να θωρακιστούν επαρκώς.
- c) **Ο προφυλακτήρας πρέπει να είναι ασφαλώς στερεωμένος στο ηλεκτρικό εργαλείο και να είναι ρυθμισμένος κατά τέτοιο τρόπο, ώστε έτσι να επιτυγχάνεται η μέγιστη δυνατή ασφάλεια, δηλαδή το τμήμα του λειαντικού σώματος που δείχνει προς το χειριστή/τη χειρίστρια να είναι όσο το δυνατό πιο μικρό.** Ο προφυλακτήρας προστατεύει το χειριστή/τη χειρίστρια από τυχόν θραύσματα, αθέλητη επαφή με το λειαντικό σώμα και από σπινθήρες που μπορεί να προκαλέσουν ανάφλεξη των ρούχων.
- d) **Τα λειαντικά σώματα πρέπει να χρησιμοποιούνται μόνο για τις εργασίες που αυτά προβλέπονται.** Π. χ.: Μην λειάνετε ποτέ με την πλευρική επιφάνεια ενός δίσκου κοπής. Οι δίσκοι κοπής προορίζονται για αφαίρεση υλικού μόνο με την ακμή τους. Αυτά τα λειαντικά σώματα μπορεί να σπάσουν όταν υποστούν πίεση από πλάγια.
- e) **Να χρησιμοποιείτε πάντοτε άψογες φλάντζες σύσφιξης με το σωστό μέγεθος και τη σωστή μορφή, ανάλογα με το δίσκο λείανσης που επιλέξατε.** Η κατάλληλη φλάντζα στηρίζει το δίσκο λείανσης και μειώνει έτσι τον κίνδυνο του σπασίματός του. Οι φλάντζες για δίσκους κοπής μπορεί να διαφέρουν από τις φλάντζες για άλλους δίσκους λείανσης.
- f) **Να μη χρησιμοποιείτε μεταχειρισμένους δίσκους λείανσης από μεγαλύτερα ηλεκτρικά εργαλεία.** Δίσκοι λείανσης για μεγαλύτερα ηλεκτρικά εργαλεία δεν είναι διαστασιοποιημένοι για τους υψηλότερους

- αριθμούς στροφών των μικρότερων ηλεκτρικών εργαλείων και για αυτό μπορεί να σπάσουν.
- 4) ΣΥΜΠΛΗΡΩΜΑΤΙΚΕΣ ΠΡΟΕΙΔΟΠΟΙΗΤΙΚΕΣ ΥΠΟΔΕΙΞΕΙΣ ΓΙΑ ΔΙΣΚΟΥΣ ΚΟΠΗΣ**
- a) **Να αποφεύγετε το μπλοκάρισμα των δίσκων κοπής και/ή την άσκηση πολύ υψηλής πίεσης. Να μη διεξάγετε τομές υπερβολικού βάθους.** Η υπερβολική επιβάρυνση του δίσκου κοπής αυξάνει τη μηχανική παραμόρφωσή του και τον κίνδυνο στρέβλωσης ή μπλοκαρίσματος κι έτσι και τις πιθανότητες κλοστήματος ή σπασίματος του λειαντικού σώματος.
- b) **Να αποφεύγετε την περιοχή μπροστά και πίσω από τον περιστρεφόμενο δίσκο κοπής.** Όταν σπρώχνετε το δίσκο κοπής προς τα εμπρός μέσα στο υπό κατεργασία τεμάχιο τότε, σε περίπτωση κλοστήματος, το ηλεκτρικό εργαλείο με τον περιστρεφόμενο δίσκο μπορεί να εκσφενδονιστεί κατευθείαν επάνω σας.
- c) **Όταν ο δίσκος κοπής μπλοκάρει ή όταν διακόπτετε την εργασία σας πρέπει να βέτετε το ηλεκτρικό εργαλείο εκτός λειτουργίας και ακολουθώντας να το κρατάτε ήρεμα μέχρι ο δίσκος κοπής να σταματήσει εντελώς να κινείται. Μην προσπαθήσετε ποτέ να βγάλετε το δίσκο κοπής από το υλικό όταν αυτός κινείται ακόμη, διαφορετικά υπάρχει κίνδυνος κλοστήματος.** Εξακριβώστε κι εξουδετερώστε την αιτία του μπλοκαρίσματος.
- d) **Μη θέσετε το ηλεκτρικό εργαλείο πάλι σε λειτουργία όσο ο δίσκος κοπής βρίσκεται ακόμη μέσα στο υπό κατεργασία τεμάχιο. Αφήστε το δίσκο κοπής να αποκτήσει το μέγιστο αριθμό στροφών πριν συνεχίσετε προσεκτικά την κοπή.** Διαφορετικά ο δίσκος μπορεί να σφηνώσει, να πεταχτεί με ορμή έξω από το υπό κατεργασία υλικό ή να προκαλέσει κλότσημα.
- e) **Πλάκες, ή άλλα μεγάλα υπό κατεργασία τεμάχια, πρέπει να υποστηρίζονται για να ελαττωθεί ο κίνδυνος κλοστήματος από έναν τυχόν μπλοκαρισμένο δίσκο κοπής.** Μεγάλα υπό κατεργασία τεμάχια μπορεί να λυγίσουν κάτω από το ίδιο τους το βάρος. Το υπό κατεργασία τεμάχιο πρέπει να υποστηριχθεί και στις δυο πλευρές του, και κοντά στην τομή κοπής και στην ακμή του.
- f) **Να είσθε ιδιαίτερα προσεκτικοί/προσεκτικές όταν διεξάγετε «κοπές βυθίσματος» σε τούχους ή άλλους μη εμποτεψύσιμους τομείς.** Ο βυθιζόμενος δίσκος κοπής μπορεί να κόψει σωλήνες φωταερίου [γκαζιού] ή νερού, ηλεκτρικές γραμμές ή αντικείμενα που μπορεί να προκαλέσουν κλότσημα.

ΣΥΜΠΛΗΡΩΜΑΤΙΚΕΣ ΥΠΟΔΕΙΞΕΙΣ ΑΣΦΑΛΕΙΑΣ

ΓΕΝΙΚΑ

- Αυτό το εργαλείο δεν είναι κατάλληλο για τρόχισμα/κοπή με νερό
- Να χρησιμοποιείτε μόνο τις φλάντζες που παραδίδονται με το εργαλείο
- Αυτό το εργαλείο δεν πρέπει να χρησιμοποιείται από άτομα κάτω των 16 ετών
- Βγάλτε την μπαταρία από το εργαλείο προτού κάνετε οποιαδήποτε ρύθμιση ή αλλάξετε κάποιο εξάρτημα

ΕΞΑΡΤΗΜΑΤΑ

- Η SKIL εγγυάται την τέλεια λειτουργία του εργαλείου μόνο όταν χρησιμοποιούνται αυθεντικά εξαρτήματα
- Για τη συναρμολόγηση/χρήση εξαρτημάτων άλλου εργοστασίου, ακολουθήστε τις οδηγίες του σχετικού κατασκευαστή
- **Να χρησιμοποιείτε μόνο δίσκους τροχίσματος/κοπής με μέγιστο πάχος 6 mm και διάμετρο τρύπας άξονα 22 mm**
- Ποτέ μην χρησιμοποιείτε μειωτήρες ή προσαρμογείς για να προσαρμόσετε δίσκους τροχίσματος/κοπής μεγαλύτερης διαμέτρου σπής
- Ποτέ μην χρησιμοποιείτε εξαρτήματα με "τυφλή" οπή με σπείρωμα, μικρότερη από M14 x 21 χλστ
- Να μεταχειρίζεστε τους δίσκους τροχίσματος/κοπής με προσοχή ώστε να αποφεύγετε τον θρυμματισμό και το ράγισμά τους

ΠΡΙΝ ΑΠΟ ΤΗ ΧΡΗΣΗ

- Πριν χρησιμοποιήσετε το εργαλείο για πρώτη φορά, σας συνιστούμε να λάβετε πρακτικές πληροφορίες
 - Θα πρέπει πάντοτε να τοποθετείτε την πλευρική λαβή E ② και τον προφυλακτήρα F ② - ποτέ μην χρησιμοποιείτε το εργαλείο χωρίς αυτά τα εξαρτήματα
 - **Χρησιμοποιήστε κατάλληλες ανιχνευτικές συσκευές για να εντοπίσετε τυχόν αφανείς τροφοδοτικές γραμμές ή συμβουλευτείτε σχετικά τις επιχειρήσεις παροχής ενέργειας** (επαφή με ηλεκτρικές γραμμές μπορεί να οδηγήσει σε πυρκαϊά ή σε ηλεκτροπληξία - βλάβες σε αγωγούς φωταερίου (γκαζιού) μπορεί να οδηγήσουν σε έκρηξη - η διείσδυση σ' ένα σωλήνα νερού προκαλεί υλικές ζημιές ή μπορεί να προκαλέσει ηλεκτροπληξία)
 - **Μην κατεργάζεστε υλικά που περιέχουν αμιάντο** (το αμιάντο θεωρείται σαν καρκινογόνο υλικό)
 - Η σκόνη από υλικά όπως μολύβδο, ορισμένα είδη ξύλου, ανόργανα στοιχεία και μέταλλα μπορεί να είναι επιβλαβής (η επαφή ή η εισπνοή της σκόνης μπορεί να προκαλέσει αλλεργικές αντιδράσεις ή/και αναπνευστικές ασθένειες στον χειριστή ή σε άτομα που παρίστανται) - **να φοράτε προσωπίδα προστασίας από τη σκόνη και να εργάζεστε με συσκευή αφαίρεσης σκόνης όταν είναι δυνατό**
 - Ορισμένα είδη σκόνης ταξινομούνται ως καρκινογόνα (όπως η σκόνη από τη δρυ ή την οξιά) ιδιαίτερα σε συνδυασμό με πρόσθετα συντήρησης ξύλου - **να φοράτε προσωπίδα προστασίας από τη σκόνη και να εργάζεστε με συσκευή αφαίρεσης σκόνης όταν είναι δυνατό**
 - Ακολουθήστε τις σχετικές με σκόνη εθνικές διατάξεις για τα υλικά που θέλετε να εργαστείτε
 - Θα πρέπει να είστε προσεκτικοί όταν κάντε γκοκόες, ιδιαίτερα σε φέροντες τοίχους (για τις γκοκόες σε φέροντες τοίχους ισχύουν κανονισμοί που διαφέρουν από χώρα σε χώρα - οι ισχύοντες κανονισμοί θα πρέπει οπωσδήποτε να τηρούνται αυστηρώς)
 - **Στερεώστε το κομμάτι εργασίας** (το κομμάτι εργασίας συγκρατείται καλύτερα με σφιγκτήρες ή σε μέγγενη παρά με το χέρι)
 - Μην σφίγγετε το εργαλείο σε μέγγενη
- ## ΚΑΤΑ ΤΗ ΧΡΗΣΗ
- Σε περίπτωση ηλεκτρικής ή μηχανικής δυσλειτουργίας, σταματήστε αμέσως το εργαλείο και βγάλτε την μπαταρία
 - Σε περίπτωση διακοπής λόγω της λειτουργίας προστασίας της μπαταρίας ή όταν αφαιρεθεί η μπαταρία, το εργαλείο δεν θα ξεκινήσει ξανά μόνο

του. Για την επανεκκίνηση του εργαλείου, ξεκλειδώστε τον διακόπτη ενεργοποίησης/απενεργοποίησης και ενεργοποιήστε ξανά το εργαλείο ①

ΜΕΤΑ ΤΗ ΧΡΗΣΗ

- Μετά το σβήσιμο του εργαλείου, μην σταματάτε την περιστροφή του εξαρτήματος εφαρμόζοντας πλάγια δύναμη σ' αυτό

ΜΠΑΤΑΡΙΕΣ

- **Η παρεχόμενη μπαταρία είναι μερικώς φορτισμένη** (για να εξασφαλιστεί ότι η μπαταρία αποκατά τη μέγιστη χαμηλότερη, να φορτίζετε τελείως τη μπαταρία με τον φορτιστή της πριν από τη χρήση του ηλεκτρικού εργαλείου σας για πρώτη φορά)
- **Να χρησιμοποιείτε μόνο τις μπαταρίες και τους φορτιστές που παραδίδονται με το εργαλείο**
 - Μπαταρία SKIL: BR1*31****
 - Φορτιστής SKIL: CR1*31****
- Μην χρησιμοποιείτε την μπαταρία όταν έχει βλάβη; πρέπει να την αντικαθιστάτε
- Μην συναρμολογείτε τη μπαταρία
- Μην εκθέτετε το εργαλείο/την μπαταρία στη βροχή
- Επιτρεπτή θερμοκρασία περιβάλλοντος (εργαλείο/φορτιστή/μπαταρία):
 - κατά τη φόρτιση 4...40°C
 - κατά τη λειτουργία -20...+50°C
 - κατά την αποθήκευση -20...+50°C

ΕΠΕΞΗΓΗΣΗ ΤΩΝ ΣΥΜΒΟΛΩΝ ΣΤΟ ΕΡΓΑΛΕΙΟ/ΜΠΑΤΑΡΙΑ

- ③ Διαβάστε το εγχειρίδιο οδηγιών πριν από τη χρήση
- ④ Να φοράτε προστατευτικά γυαλιά και προστατευτικά μέσα ακοής
- ⑤ Οι μπαταρίες θα εκραγούν εάν γίνει απόρριψή τους σε φωτιά, γι' αυτό μην καίτε τις μπαταρίες για οποιοδήποτε λόγο
- ⑥ Να αποθηκεύετε το εργαλείο/τον φορτιστή/την μπαταρία σε μέρη όπου η θερμοκρασία δεν θα ξεπεράσει τους 50°C
- ⑦ Μην πετάτε τα ηλεκτρικά εργαλεία και μπαταρίες στον κάδο οικιακών απορριμμάτων

ΧΡΗΣΗ

- Φόρτιση της μπαταρίας
! διαβάστε τις προειδοποιήσεις ασφαλείας και τις οδηγίες που παρέχονται με το φορτιστή
- Αφαίρεση/εγκατάσταση της μπαταρίας ②
- Ένδειξη κατάστασης μπαταρίας ⑧
 - πιέστε το κουμπί του ενδεικτικού κατάστασης μπαταρίας L για να εμφανίσετε την τρέχουσα κατάσταση της μπαταρίας ⑧a
 - ! όταν το ενδεικτικό κατώτατης στάθμης της μπαταρίας αρχίσει να αναβοσβήνει μετά από το πάτημα του πλήκτρου L ⑧b, η μπαταρία έχει αδειάσει**
 - ! όταν τα επίπεδα 2 του ενδεικτικού της μπαταρίας αρχίσουν να αναβοσβήνουν μετά από το πάτημα του πλήκτρου L ⑧c, η μπαταρία δεν είναι εντός του επιτρεπόμενου εύρους θερμοκρασιών λειτουργίας**
- Προστασία της μπαταρίας
Το εργαλείο σβήνει αιφνίδια ή δεν είναι δυνατό το άναμμα του όταν
 - **το φορτίο είναι πολύ υψηλό** --> αφαιρέστε το φορτίο και επανεκκινήστε

- η θερμοκρασία της μπαταρίας δεν βρίσκεται εντός του επιτρεπόμενου εύρους θερμοκρασίας λειτουργίας, δηλαδή -20 έως +50°C --> Τα επίπεδα 2 του ενδεικτικού της στάθμης της μπαταρίας αρχίζουν να αναβοσβήνουν κατά το πάτημα του πλήκτρου L ③c. Περιμένετε μέχρι η μπαταρία να επανέλθει εντός του επιτρεπόμενου εύρους θερμοκρασίας λειτουργίας
- η μπαταρία έχει σχεδόν αδειάσει (για προστασία έναντι βαθείας εκφόρτισης) --> ανάβει ή αναβοσβήνει η χαμηλή στάθμη μπαταρίας ③b δίπλα στο ενδεικτικό στάθμης μπαταρίας κατά το πάτημα του πλήκτρου L. Φορτίστε τη μπαταρία
- ! μην συνεχίσετε να πατάτε το διακόπτη ενεργοποίησης/απενεργοποίησης μετά την αυτόματη απενεργοποίηση του εργαλείου - μπορεί να προκληθεί βλάβη στη μπαταρία
- Τοποθέτηση εξαρτημάτων ②
- ! βγάλτε την μπαταρία από το εργαλείο
- καθαρίστε την άτρακτο Α και όλα τα εξαρτήματα που πρόκειται να συναρμολογηθούν
- σφίξτε τη φλάντζα σύσφιξης Β χρησιμοποιώντας το κλειδί C, πιέζοντας ταυτόχρονα το κουμπί ασφάλισης της άτρακτος D
- ! πιέστε το κουμπί ασφάλισης της άτρακτος D μόνο όταν είναι σταματημένη η άτρακτος Α
- για την αφαίρεση των εξαρτημάτων, εργαστείτε στην αντίστροφη σειρά
- ! οι δίσκοι τροχίσματος/κοπής ζεσταίνονται πάρα πολύ κατά τη χρήση, γι' αυτό μην τους αγγίζετε μέχρι να κρυσώσουν
- ! ποτέ μην χρησιμοποιείτε τον δίσκο τροχίσματος/κοπής χωρίς την ετικέτα η οποία είναι φυσικά κολλημένη στον δίσκο (αν αυτή φυσικά υπάρχει)
- Τοποθέτηση της πλευρικής λαβής E ⑨
- ! βγάλτε την μπαταρία από το εργαλείο
- βιδώστε την πλευρική λαβή E στη δεξιά, επάνω ή την αριστερή πλευρά του εργαλείου (ανάλογα με την εργασία που έχετε να κάνετε)
- Αφαίρεση/τοποθέτηση/ρυθμισμό του προφυλακτήρα F ⑩
- ! βγάλτε την μπαταρία από το εργαλείο
- ! η κλειστή πλευρά του προφυλακτήρα θα πρέπει να είναι πάντοτε στραμμένη προς τον χειριστή του εργαλείου
- εάν είναι απαραίτητο, ρυθμίστε τον προφυλακτήρα F σφίγγοντας τη βίδα G η οποία έχει προρυθμιστεί εργοστασιακά (βεβαιωθείτε ότι ο προφυλακτήρας είναι κλειστός)
- Προτού χρησιμοποιήσετε το εργαλείο
- βεβαιωθείτε ότι το εξάρτημα έχει τοποθετηθεί σωστά και έχει σφικτεί στη θέση του
- ελέγξτε ότι το εξάρτημα λειτουργεί ανεμπόδιστα περιστρέφοντάς το με το χέρι
- δοκιμάστε το εργαλείο τουλάχιστον για 60 δευτερόλεπτα δουλεύοντάς το στη μέγιστη ταχύτητα χωρίς φορτίο, από ασφαλή θέση
- σταματήστε αμέσως το εργαλείο σε περίπτωση σοβαρής δόνησης ή άλλης ελλατωματικής λειτουργίας και ελέγξτε το για να εξακριβωθεί η αιτία
- Διακόπτης ασφαλείας ξεκίνημα/σταμάτημα J ⑪
- Ξεκινίστε το εργαλείο ⑪a
- ! να προσέχετε την απότομη κίνηση που κάνει το εργαλείο ξεκινώντας

! προτού το εξάρτημα κατεργασίας φθάσει το κατεργαζόμενο κομμάτι, το εργαλείο πρέπει να λειτουργεί με πλήρη ταχύτητα

- ασφαλίστε το διακόπτη ⑪b
- απασφάλιση του διακόπτη/σταματείστε το εργαλείο ⑪c

! προτού σταματήσετε το εργαλείο πρέπει να το ανασκώσετε από το κατεργαζόμενο κομμάτι

! το εξάρτημα συνεχίζει να περιστρέφεται για σύντομο χρονικό διάστημα μετά τη διακοπή λειτουργίας του εργαλείου

- Τρόχισμα ⑫
- κινήστε το εργαλείο πίσω-μπρος ασκώντας μέτρια πίεση
- ! ποτέ μην χρησιμοποιείτε δίσκο κοπής για πλάγιο τρόχισμα
- Κοπή ⑬
- όταν κόβετε μη γέρνετε το εργαλείο
- το εργαλείο θα πρέπει να κινείται προς την κατεύθυνση που δείχνει το βέλος στην κεφαλή του εργαλείου, για να μην χάσετε τον έλεγχο του εργαλείου με αποτέλεσμα να βγει το εργαλείο έξω από την εγκοπή
- μην ασκείτε πίεση στο εργαλείο, αφήστε την ταχύτητα του δίσκου κοπής να κάνει τη δουλειά για σας
- η ταχύτητα εργασίας του δίσκου κοπής εξαρτάται από το υλικό που κόβετε
- μην προσπαθείτε να σταματήσετε τον δίσκο κοπής ασκώντας πλάγια πίεση
- Πώς να κρατάτε και να οδηγείτε το εργαλείο
- κρατάτε το εργαλείο σφικτά και σταθερά με τα δυο σας χέρια, ώστε να έχετε τον πλήρη έλεγχο του εργαλείου ανά πάσα στιγμή
- ! ενώ εργάζεστε, να κρατάτε πάντα το εργαλείο από τη/τις λαβή/ές με γκρι χρώμα ⑭
- φροντίστε ώστε να στέκεστε σταθερά
- προσέξτε την κατευθυνση περιστροφής: κρατάτε πάντοτε το εργαλείο με τέτοιο τρόπο, ώστε οι σπινθήρες και η σκόνη τροχίσματος/κοπής να εκτοξεύονται μακριά από το σώμα σας
- κρατάτε τις σχισμές αερισμού Κ ② ακάλυπτες
- Τοποθέτηση/αφαίρεση κλειδιού C ⑮
- ισχύει μόνο εάν το εργαλείο διαθέτει βοηθητική λαβή με ενσωματωμένη θήκη κλειδιού

ΟΔΗΓΙΕΣ ΕΦΑΡΜΟΓΗΣ

- Για περισσότερες πληροφορίες επισκεφθείτε τη σελίδα www.skil.com


ΣΥΝΤΗΡΗΣΗ / ΣΕΡΒΙΣ

- Αυτό το εργαλείο δεν προορίζεται για επαγγελματική χρήση
- Πάντα να διατηρείτε το εργαλείο καθαρό (ειδικά τις οπές εξαερισμού Κ ②)
- ! αφαιρέστε την μπαταρία από το εργαλείο πριν από τον καθαρισμό
- Αν παρ' όλες τις επιμελημένες μεθόδους κατασκευής κι ελέγχου το εργαλείο σταματήσει κάποτε να λειτουργεί, τότε η επισκευή του πρέπει να ανατεθεί σ' ένα εξουσιοδοτημένο συνεργείο για ηλεκτρικά εργαλεία της SKIL
- στείλτε το εργαλείο χωρίς να το αποσυναρμολογήσετε μαζί με την απόδειξη αγοράς

στο κατάστημα από το οποίο το αγοράσατε ή στον πλησιέστερο σταθμό τεχνικής εξυπηρέτησης της SKIL (θα βρείτε τις διευθύνσεις και το διάγραμμα συντήρησης του εργαλείου στην ιστοσελίδα www.skil.com)

- Να γνωρίζετε ότι βλάβες που προκαλούνται λόγω υπερφόρτωσης ή ακατάλληλου χειρισμού του εργαλείου, δεν καλύπτονται από την εγγύηση (για τους όρους της εγγύησης της SKIL επισκεφτείτε τη διεύθυνση www.skil.com ή απευθυνθείτε στον πλησιέστερο αντιπρόσωπο)

ΠΕΡΙΒΑΛΛΟΝ

- **Μην πετάτε τα ηλεκτρικά εργαλεία, μπαταρίες, εξαρτήματα και συσκευασία στον κάδο οικιακών απορριμμάτων** (μόνο για τις χώρες της ΕΕ)
 - σύμφωνα με την ευρωπαϊκή οδηγία 2012/19/EK περί ηλεκτρικών και ηλεκτρονικών συσκευών και την ενσωμάτωσή της στο εθνικό δίκαιο, τα ηλεκτρικά εργαλεία πρέπει να συλλέγονται ξεχωριστά και να επιστρέφονται για ανακύκλωση με τρόπο φιλικό προς το περιβάλλον
 - το σύμβολο  θα σας το θυμίσει αυτό όταν έλθει η ώρα να πετάξετε τις
- ! **προτού πετάξετε τις μπαταρίες καλύψτε τις επαφές τους με μονωτική ταινία για να αποφύγετε τυχόν βραχυκυκλώματα**

ΘΟΥΡΒΟΣ / ΚΡΑΔΑΣΜΟΣ

- **3920**

Βάσει της μέτρησης σύμφωνα με το πρότυπο EN 60745, η στάθμη ηχοπίεσης αυτού του εργαλείου είναι 80,5 dB(A) και η στάθμη ηχοπίεσης του 91,5 dB(A) (αβεβαιότητα K = 3 dB), και ο κραδασμός κατά το πρόχισμα σε επιφάνειες 5,5 m/s² (τριαξονικό διανυσματικό άθροισμα, αβεβαιότητα K = 1,5 m/s²)

! **άλλες εφαρμογές (όπως κοπή) μπορεί να έχουν διαφορετικές τιμές κραδασμών**
- **3921**


Βάσει της μέτρησης σύμφωνα με το πρότυπο EN 60745, η στάθμη ηχοπίεσης αυτού του εργαλείου είναι 80,0 dB(A) και η στάθμη ηχοπίεσης του 91,0 dB(A) (αβεβαιότητα K = 3 dB), και ο κραδασμός κατά το πρόχισμα σε επιφάνειες 4,3 m/s² (τριαξονικό διανυσματικό άθροισμα, αβεβαιότητα K = 1,5 m/s²)

! **άλλες εφαρμογές (όπως κοπή) μπορεί να έχουν διαφορετικές τιμές κραδασμών**
- Το επίπεδο παραγωγής κραδασμών έχει μετρηθεί σύμφωνα με μια τυποποιημένη δοκιμή που αναφέρεται στο πρότυπο EN 60745 - μπορεί να χρησιμοποιηθεί για τη σύγκριση ενός εργαλείου με ένα άλλο, καθώς και ως προκαταρκτική αξιολόγηση της έκθεσης στους κραδασμούς όταν το εργαλείο χρησιμοποιείται για τις εφαρμογές που αναφέρονται
 - η χρήση του εργαλείου για διαφορετικές εφαρμογές ή με διαφορετικά ή κακωσυντηρημένα εξαρτήματα μπορεί να **αυξήσει** σημαντικά το επίπεδο έκθεσης
 - όταν το εργαλείο είναι απενεργοποιημένο ή δουλεύει αλλά δεν εκτελεί την εργασία, το επίπεδο έκθεσης μπορεί να **μειωθεί** σημαντικά
- ! **προστατευτείτε από τις επιδράσεις των κραδασμών συντηρώντας σωστά το εργαλείο και τα εξαρτήματά του, διατηρώντας τα χέρια σας ζεστά και οργανώνοντας τον τρόπο εργασίας σας**

RO

Polizor unghiular fără fir 3920/3921

INTRODUCERE

- Această sculă este destinată pentru **ușoară** șlefuirea, tăierea și debavurarea materialelor metalice și a pietrei fără a folosi apă
- Această sculă nu este destinată utilizării profesionale
- **Nu apăsați scula; lăsați viteza discului de tăiere să-și indeplinească sarcina**
- **Operațiunile de tăiere cu roțile abrazive sunt premise doar atunci când se folosește un dispozitiv de protecție împotriva tăierii (disponibil ca accesoriu opțional SKIL 2610S00253 (3920) / 2610S00275 (3921))**
- Citiți și păstrați acest manual de instrucțiuni 


DATE TEHNICE

ELEMENTELE SCULEI

- A Axul
- B Flanșă de prindere
- C Cheie pentru piulițe
- D Buton de blocare a axului
- E Mâner auxiliar
- F Dispozitiv de protecție
- G Șurub dispozitiv de protecție
- H Flanșă de montare
- J Întrerupător cu blocare pornit/oprit
- K Fantele de ventilație
- L Indicator nivel încărcare acumulator
- M Manetă dispozitiv de protecție

SIGURANȚA

INSTRUCȚIUNI GENERALE DE SIGURANȚĂ PENTRU SCULE ELECTRICE

 **AVERTISMENT** Citiți toate avertismentele, instrucțiunile, ilustrațiile și specificațiile furnizate împreună cu această sculă electrică. Neconformarea la instrucțiunile de mai jos poate produce șoc electric, incendii și/sau răniiri grave.

Păstrați toate avertizările și instrucțiunile în vederea consultării ulterioare.

Termenul de "sculă electrică" folosit în indicațiile de avertizare se referă la sculele electrice alimentate de la rețea (cu cablu de alimentare) și la sculele electrice cu acumulator (fără cablu de alimentare).

1) SIGURANȚA LA LOCUL DE MUNCĂ

- a) **Păstrați-vă locul de muncă curat și bine iluminat.** Dezordinea la locul de muncă sau existența unor sectoare de lucru neiluminate poate duce la accidente.
- b) **Nu folosiți mașina în medii cu pericol de explozie, acolo unde există lichide, gaze sau pulberi inflamabile.** Sculele electrice pot produce scântei care să aprindă pulberile sau vaporii.

- c) **Nu permiteți accesul copiilor și al altor persoane în timpul lucrului cu mașina.** Dacă vi se distrage atenția puteți pierde controlul asupra mașinii.
- 2) SECURITATE ELECTRICĂ**
- a) **Ștecherul de racordare a mașinii trebuie să se potrivească cu priza de alimentare. Nu este permisă în nici-un caz modificarea ștecherului. Nu folosiți adaptoare pentru ștechere la mașinile legate la pământ.** Ștecherele nemodificate și prizele de curent adecvate acestora reduc riscul de electrocutare.
- b) **Evitați contactul corporal cu suprafețe legate la pământ ca țevi, radiatoare, plite electrice și frigidere.** Există un risc crescut de electrocutare atunci când corpul dv. este și el legat la pământ.
- c) **Nu lăsați mașina afară în ploaie sau în mediu umed.** Riscul de electrocutare crește atunci când într-o sculă electrică pătrunde apă.
- d) **Nu trageți niciodată mașina de cordonul de alimentare pentru a o transporta, a o atârna sau a scoate ștecherul din priza de curent. Feriți cordonul de alimentare de căldură, ulei, muchiul ascuțite sau de subansamble aflate în mișcare.** Un cordon de alimentare deteriorat sau înfășurat mărește riscul de electrocutare.
- e) **Atunci când lucrați cu scula electrică în aer liber, folosiți numai cordoane prelungitoare autorizate pentru exterior.** Întrebuințarea unui cordon prelungitor adecvat utilizării în aer liber reduce riscul de electrocutare.
- f) **Atunci când nu poate fi evitată utilizarea sculei electrice în mediu umed, folosiți un întrerupător de circuit cu împământare.** Folosirea unei întrerupător de circuit cu împământare reduce riscul de electrocutare.
- 3) SECURITATEA PERSOANELOR**
- a) **Fiți vigilenți, fiți atenți la ceea ce faceți și procedați rațional atunci când lucrați cu scula electrică. Nu folosiți mașina dacă sunteți obosiți sau vă aflați sub influența drogurilor, alcoolului sau a medicamentelor.** Un moment de neatenție în timpul lucrului cu mașina poate duce la răni grave.
- b) **Purtați echipament de protecție personală și întotdeauna ochelari de protecție.** Folosirea echipamentelor de protecție a persoanei ca mască de protecție împotriva prafului, încălțăminte antiderapantă, cască de protecție sau aparat de protecție auditivă, în funcție de tipul și domeniul de folosire al sculei electrice, reduce riscul rănilor.
- c) **Evitați o punere în funcțiune involuntară. Înainte de a introduce ștecherul în priză și/sau de a introduce acumulatorul în scula electrică, de a o ridica sau de a o transporta, asigurați vă că aceasta este oprită.** Dacă atunci când transportați scula electrică țineți degetul pe întrerupător sau dacă porniți scula electrică înainte de a o racorda la rețeaua de curent, puteți provoca accidente.
- d) **Înainte de a pune mașina în funcțiune scoateți afară cheile reglabile și fixe.** O cheie reglabilă sau fixă, aflată într-o componentă de mașină care se rotește, poate provoca răni.
- e) **Nu vă supraapreciați. Asigurați-vă o poziție stabilă și păstrați-vă întotdeauna echilibrul.** Astfel veți putea controla mai bine mașina în situații neașteptate.
- f) **Purtați îmbrăcăminte de lucru adecvată. Nu**

- purtați haine largi sau podoabe. Feriți părul și îmbrăcămintea de piesele aflate în mișcare.** Îmbrăcămintea largă, podoabele și părul lung pot fi prinse de piesele aflate în mișcare.
- g) **Dacă există posibilitatea montării de echipamente și instalații de aspirare și colectare a prafului, asigurați-vă că acestea sunt conectate și folosite corect.** Folosirea unei instalații de aspirare a prafului poate duce la reducerea poluării cu praf.
- h) **Nu vă lăsați amăgiți de ușurința în operare dobândită în urma folosirii frecvente a sculelor electrice și nu ignorați principiile de siguranță ale acestora.** Neglijența poate provoca, într-o fracțiune de secundă, vătămări corporale grave
- 4) MANEVRAȚI ȘI FOLOSIȚI CU GRIJĂ SCULELE ELECTRICE**
- a) **Nu suprasolicitați mașina. Folosiți scula electrică destinată executării lucrării dumneavoastră.** Cu scula electrică potrivită lucrați mai bine și mai sigur în domeniul de putere specificat.
- b) **Nu folosiți scula electrică dacă are întrerupătorul defect.** O sculă electrică, care nu mai poate fi pornită sau oprită este periculoasă și trebuie reparată.
- c) **Scoateți ștecherul afară din priză și/sau îndepărtați acumulatorul dacă este detașabil, înainte de a executa reglaje, a schimba accesorii sau a depozita scula electrică.** Această măsură preventivă reduce riscul unei porniri involuntare a mașinii.
- d) **În caz de nefolosire păstrați mașinile la loc inaccesibil copiilor. Nu permiteți persoanelor care nu sunt familiarizate cu mașina sau care n-au citit prezentele instrucțiuni, să folosească mașina.** Sculele electrice sunt periculoase atunci când sunt folosite de persoane fără experiență.
- e) **Întrețineți sculele electrice și accesoriile acestora. Controlați dacă componentele mobile funcționează corect și dacă nu se blochează, dacă nu există piese defecte sau deteriorate, care să afecteze funcționarea mașinii. Înainte de a repune în funcțiune mașina, duceți-o la un atelier de asistență service pentru repararea sau înlocuirea pieselor deteriorate.** Multe accidente s-au datorat întreținerii defectuoase a sculelor electrice.
- f) **Păstrați accesoriile bine ascuțite și curate.** Accesoriile atent întreținute, cu muchi tăietoare bine ascuțite se blochează mai greu și pot fi conduse mai ușor.
- g) **Folosiți sculele electrice, accesoriile, dispozitivele de lucru etc. conform prezentelor instrucțiuni. Țineți seama de condițiile de lucru și de lucrarea care trebuie executată.** Întrebuințarea unor scule electrice destinate altor utilizări decât cele preconizate, poate duce la situații periculoase.
- h) **Mențineți mânerul și zonele de prindere uscate, curate și ferii-le de ulei și unsoare.** Mânerul și zonele de prindere alunecoase nu permit manevrarea și controlul sigur al sculei electrice în situații neașteptate.
- 5) MANEVRAȚI ȘI FOLOSIȚI CU GRIJĂ SCULELE ELECTRICE CU ACUMULATOR**
- a) **Folosiți pentru încărcarea acumulatorilor numai încărcătoarele recomandate de producător.** Dacă un încărcător destinat unui anumit tip de acumulator este folosit la încărcarea altor acumulatori există pericol de incendiu.

- b) **Folosiți la sculele electrice numai acumulatorii prevăzuți în acest scop.** Întrebuințarea altor acumulatori decât cei specificați poate duce la răniri și pericol de incendii.
 - c) **Feriți acumulatorii nefolosiți de contactul cu agrafe de birou, monede, chei, cuie, șuruburi sau alte obiecte metalice mici, care pot produce o punte metalică între contactele acumulatorului.** Un scurtcircuit între polii de contact ai acumulatorului poate avea drept consecință arsuri sau incendii.
 - d) **Ca urmare a folosirii necorespunzătoare, din acumulator se poate scurge lichid. Evitați contactul cu acesta. În caz de contact accidental, clătiți cu apă. Dacă lichidul vă intră în ochi, pe lângă măsurile aminite consultați și un medic.** Lichidul care se scurge din acumulator poate provoca iritarea pielii sau arsuri.
 - e) **Nu folosiți un acumulator sau o sculă electrică cu acumulator deteriorat sau modificat.** Acumulatorii deteriorați sau modificați pot avea un comportament imprevizibil care să ducă la incendiu, explozie sau să genereze risc de vătămări corporale.
 - f) **Nu expuneți acumulatorul sau scula electrică la foc sau temperaturi excesive.** Expunerea la foc sau temperaturi de peste 130°C poate duce la explozii.
 - g) **Respectați toate instrucțiunile de încărcare și nu reincărcați acumulatorul sau scula electrică cu acumulator la temperaturi situate în afara domeniului de temperaturi specificat în instrucțiuni.** Încărcarea incorectă sau la temperaturi situate în afara domeniului de temperaturi specificat ar putea cauza deteriorarea acumulatorului și mări riscul de incendiu.
- 6) SERVICIU**
- a) **Permiteți repararea mașinii dumneavoastră numai de către un specialist calificat și numai cu piese de schimb originale.** În acest mod este garantată menținerea siguranței de exploatare a mașinii.
 - b) **Nu întrețineți niciodată acumulatorii deteriorați.** Întreținerea acumulatorilor ar trebui efectuată numai de către producător sau de către furnizori de service autorizați de acesta.

INSTRUCȚIUNI DE SIGURANȚĂ PENTRU POLIZOARE UNGHIULARE

- 1) **INDICAȚII DE AVERTIZARE COMUNE PENTRU ȘLEFUIRE, ȘLEFUIRE CU HÂRTIE ABRAZIVĂ, LUCRUL CU PERII DE SĂRMĂ, LUSTRIRE ȘI TĂIERE**
- a) **Această sculă electrică se va folosi ca polizor și mașină specială de retezat cu disc abraziv.** Respectați toate avertismentele, instrucțiunile, reprezentările și datele permise împreună cu scula electrică. În cazul în care nu veți respecta următoarele instrucțiuni, se poate ajunge la electrocutare, incendii și/sau răniri grave.
- b) **Această sculă electrică nu este recomandată pentru operațiuni de sablare, prelucrare a suprafețelor cu peria de sărmă sau lustruire.** Operațiunile pentru care această mașină electrică nu a fost proiectată pot implica pericole și cauza accidente.
- c) **Nu folosiți accesorii care nu au fost prevăzuți și recomandați în mod special de către producător pentru această sculă electrică.** Faptul în sine că accesoriul respectiv poate fi montat pe scula

dumneavoastră electrică, nu garantează în nici un caz utilizarea lui sigură.

- d) **Turația admisă a dispozitivului de lucru trebuie să fie cel puțin egală cu turația nominală specificată pe scula electrică.** Un accesoriu care se rotește mai repede decât este admis, se poate distruge.
- e) **Diametrul exterior și grosimea dispozitivului de lucru trebuie să corespundă datelor dimensionale ale sculei dumneavoastră electrice.** Dispozitivele de lucru greșit dimensionate nu pot fi protejate sau controlate în suficientă măsură.
- f) **Accesoriile prevăzute cu inserție filetată trebuie trebuie să se potrivească exact pe filetul arborelui de polizat. La accesoriile montate prin flanșe, diametrul găurii accesoriului trebuie să se potrivească cu diametrul de prindere al flanșei.** Accesoriile care nu sunt fixate exact la scula electrică, se rotesc neuniform, vibrează foarte puternic și pot duce la pierderea controlului.
- g) **Nu folosiți dispozitive de lucru deteriorate. Înainte de utilizare controlați dacă dispozitivele de lucru ca discurile de șlefuit nu sunt sparte sau fisurate, dacă discurile abrazive nu sunt fisurate, uzate sau tocite puternic, dacă periile de sărmă nu prezintă fire desprinse sau rupte. Dacă scula electrică sau dispozitivul de lucru cade pe jos, verificați dacă nu cumva s-a deteriorat sau folosiți un dispozitiv de lucru nedeteriorat. După ce ați controlat și montat dispozitivul de lucru, țineți persoanele aflate în preajmă în afara planului de rotație al dispozitivului de lucru, și lăsați scula electrică să funcționeze un minut la turația nominală.** De cele mai multe ori, dispozitivele de lucru deteriorate se rup în această perioadă de probă.
- h) **Purtați echipament personal de protecție. În funcție de utilizare, purtați o protecție completă a feței, protecție pentru ochi sau ochelari de protecție. Dacă este cazul purtați și protecție împotriva prafului, protecție auditivă, mănuși de protecție sau șorț special care să vă ferească de micile așchii și particule de material.** Ochii trebuie protejați de corpurile străine aflate în zbor, apărute în cursul diferitelor aplicații. Masca de protecție împotriva prafului sau masca de protecție a respirației trebuie să filtreze praful degajat în timpul utilizării. Dacă sunteți expuși timp îndelungat zgomotului puternic, vă puteți pierde auzul.
- i) **Aveți grijă ca celelalte persoane să păstreze o distanță sigură față de sectorul dumneavoastră de lucru. Oricine pătrunde în sectorul de lucru trebuie să poarte echipament personal de protecție.** Fragmente din piesa de lucru sau dispozitivele de lucru rupte pot zbura necontrolat și provoca răniri chiar în afara sectorului direct de lucru.
- j) **Țineți scula electrică de mânerule izolate atunci când efectuați o operațiune în care accesoriul poate atinge fire electrice ascunse.** Dacă un accesoriu atinge fire electrice aflate sub tensiune, acest lucru poate face ca piesele metalice expuse ale sculei să se electrifice, existând riscul unui șoc electric pentru operator.
- k) **Țineți cablul de alimentare departe de dispozitivele de lucru care se rotesc.** Dacă pierdeți controlul asupra mașinii cablul de alimentare poate fi tăiat sau prins

iar mâna sau brațul dumneavoastră poate nimeri sub dispozitivul de lucru care se rotește.

- l) **Nu puneți niciodată jos scula electrică înainte ca dispozitivul de lucru să se fi oprit complet.** Dispozitivul de lucru care se rotește poate ajunge în contact cu suprafața de sprijin, fapt care vă poate face să pierdeți controlul asupra sculei electrice.
 - m) **Nu lăsați scula electrică să funcționeze în timp ce o transportați.** În urma unui contact accidental cu dispozitivul de lucru care se rotește, acesta vă poate prinde în brăcăminte și chiar pătrunde în corpul dumneavoastră.
 - n) **Curățați regulat fantele de aerisire ale sculei dumneavoastră electrice.** Ventilatorul motorului atrage praf în carcasă iar acumularea puternică de pulberi metalice poate provoca pericole electrice.
 - o) **Nu folosiți scula electrică în apropierea materialelor inflamabile.** Scântele pot duce la aprinderea acestor materiale.
 - p) **Nu folosiți dispozitive de lucru care necesită agenți de răcire lichizi.** Folosirea apei sau a altor agenți de răcire lichizi poate duce la electrocutare.
- 2) REcul ȘI AVERTISMENTE CORESPUNZĂTOARE**
- Reculul este reacția bruscă apărută la agățarea sau blocarea unui dispozitiv de lucru care se rotește, cum ar fi un disc de șlefuit, un disc abraziv, o perie de sârmă, etc. Agățarea sau blocarea duce la oprirea bruscă a dispozitivului de lucru care se rotește. Aceasta face ca scula electrică necontrolată să fie accelerată în punctul de blocare, în sens contrar direcției de rotație a dispozitivului de lucru.
 - Dacă, de exemplu, un disc de șlefuit se agăță sau se blochează în piesa de lucru, marginea discului de șlefuit care penetrează direct piesa de lucru se poate agăța în aceasta și duce astfel la smulgerea discului de șlefuit sau provoca reculul. Discul de șlefuit se va deplasa către operator sau în sens opus acestuia, în funcție de direcția de rotație a discului în punctul de blocare. În această situație discurile de șlefuit se pot chiar rupe.
 - Un recul este consecința utilizării greșite sate defectuoase a sculei electrice. El poate fi împiedicat prin măsuri preventive adecvate, precum cele descrise în continuare.
- a) **Țineți bine scula electrică și aduceți-vă corpul și brațele într-o poziție în care să puteți controla forțele de recul.** Folosiți întotdeauna un mâner suplimentar, în caz că acesta există, pentru a avea un control maxim asupra forțelor de recul sau a momentelor de reacție la turații înalte. Operatorul poate stăpâni forțele de recul și de reacție prin măsuri preventive adecvate.
 - b) **Nu apropiați niciodată mâna de dispozitivele de lucru în mișcare de rotație.** În caz de recul dispozitivul de lucru se poate deplasa peste mâna dumneavoastră.
 - c) **Evitați să staționați cu corpul în zona de mișcare a sculei electrice în caz de recul.** Reculul proiectează scula electrică într-o direcție opusă mișcării discului de șlefuit din punctul de blocare.
 - d) **Lucrați extrem de atent în zona colțurilor, muchiilor ascuțite, etc. Evitați ca dispozitivul de lucru să ricoșeze după izbirea de piesa de lucru și să se blocheze.** Dispozitivul de lucru aflat în mișcare de rotație are tendința să se blocheze în colțuri, pe muchii ascuțite sau când ricoșează în urma izbirii. Aceasta duce la pierderea controlului sau la recul.

- e) **Nu folosiți pânze de ferăstrău pentru lemn sau pânze dințate.** Asemenea dispozitive de lucru provoacă frecvent recul sau duc la pierderea controlului asupra sculei electrice.
- 3) AVERTIZĂRI DE SIGURANȚĂ SPECIFICE PENTRU OPERAȚIUNI DE POLIZARE SAU TĂIERE ABRAZIVĂ**
- a) **Folosiți numai corpuri abrazive admise pentru scula dumneavoastră electrică și o apărătoare de protecție prevăzută pentru aceste corpuri abrazive.** Corpurile abrazive care nu sunt prevăzute pentru această sculă electrică nu pot fi acoperite și protejate suficient, fiind nesigure.
 - b) **Discurile de șlefuire cu degajare trebuie astfel montate încât suprafața lor de șlefuire să nu depășească planul marginii apărătoarei de protecție.** Un disc de șlefuire montat necorespunzător, care depășește planul apărătoarei de protecție, nu poate fi acoperit suficient.
 - c) **Apărătoarea de protecție trebuie fixată sigur pe scula electrică și astfel ajustată încât să se atingă o un grad maxim de siguranță în exploatare, adică numai o porțiune extrem de mică a corpului abraziv să rămână descoperită în partea dinspre operator.** Apărătoarea de protecție trebuie să protejeze operatorul de fragmentele desprinse prin șlefuire, de atingerea accidentală a corpului abraziv și de scânteiilor care pot aprinde îmbrăcămintea.
 - d) **Corpurile abrazive trebuie folosite numai pentru posibilitățile de utilizare recomandate.** De exemplu: nu șlefuiți niciodată cu partea laterală a unui disc de tăiere. Discurile de tăiere sunt destinate îndepărtării de material cu marginea discului. Exercițierea unei forțe laterale asupra acestui corp abraziv poate duce la ruperea sa.
 - e) **Folosiți întotdeauna flanșe de prindere nedeteriorate având dimensiuni și forme corespunzătoare discului de șlefuit ales de dumneavoastră.** Flanșele adecvate sprijină discul de șlefuit diminuând astfel pericolul rușerii acestuia. Flanșele pentru discuri de tăiere pot fi diferite față de flanșele pentru alte discuri de șlefuit.
 - f) **Nu întrebuințați discuri de șlefuit uzate provenind de la scule electrice mai mari.** Discurile de șlefuit pentru sculele electrice mai mari nu sunt concepute pentru turațiile mai ridicate ale sculelelor electrice mai mici și se pot rupe.
- 4) ALTE AVERTISMENTE SPECIALE PRIVIND TĂIEREA**
- a) **Evitați blocarea discului de tăiere sau o apăsare prea puternică. Nu executați tăieri exagerat de adânci.** O supraîncărcare a discului de tăiere mărește solicitarea acestuia și tendința acestuia de a se înclina greșit în piesa de lucru sau de a se bloca, apărând astfel posibilitatea unui recul sau a rușerii corpului abraziv.
 - b) **Evitați zona din fața și din spatele discului de tăiere care se rotește.** Dacă deplasați discul de tăiere în piesa de lucru în direcție opusă dumneavoastră, în caz de recul, scula electrică împreună cu discul care se rotește pot fi proiectate direct spre dumneavoastră.
 - c) **Dacă discul de tăiere se blochează sau dacă întrerupeți lucrul, deconectați scula electrică și nu o mișcați până când discul se oprește complet. Nu încercați niciodată să extrageți discul de tăiere din tăietură, altfel se poate produce un recul.** Stabilități și îndepărtați cauza blocării discului.

- d) **Nu reporniți niciodată scula electrică cât timp aceasta se mai află încă în piesa de lucru. Lăsați discul de tăiere să atingă turația nominală și numai după aceea continuați să tăiați cu precauție.** În caz contrar discul se poate agăța, sări afară din piesa de lucru sau provoca recul.
- e) **Sprîjiniți plăcile sau piesele de lucru mari pentru a diminua riscul reculului cauzat de blocarea discului de tăiere. Piesele mari se pot încovoia sub propria greutate.** De aceea piesa de lucru trebuie sprijinită pe ambele părți, atât în apropierea liniei de tăiere cât și pe margine.
- f) **Fiți extrem de atenți în cazul „tăierii de cavități” în pereți deja existenți sau în alte sectoare fără vizibilitate.** La penetrarea în sectorul vizat, discul de tăiere poate cauza un recul dacă nimereste în conducte de gaz sau de apă, conductori electrici sau alte obiecte.

INSTRUCȚIUNI DE SIGURANȚĂ SUPPLEMENTARE

GENERALITĂȚI

- Această sculă nu este potrivită pentru șlefuire/tăiere umedă
- Folosiți doar flansele care sunt livrate cu această sculă
- Această sculă nu trebuie să fie folosit de persoane sub 16 ani
- **Scoateți bateria din sculă înainte de a face orice reglaje sau de a schimba accesorii**

ACCESORII

- SKIL garantează funcționarea perfectă a aparatului numai dacă sunt folosite accesoriile originale
- Pentru montarea/utilizarea accesoriilor care nu provin de la firma SKIL respectați instrucțiunile respectivului producător
- **Folosiți numai discuri de șlefuire/tăiere cu o grosime maximă de 6 mm și un diametru al orificiului axului de 22 mm**
- Nu folosiți niciodată reductoare sau adaptoare pentru a fixa discuri de șlefuire/tăiere cu orificiu mare
- Nu folosiți niciodată accesorii cu orificiu filetat orb mai mic decât M14x21mm
- Manevrați și depozitați cu grijă discurile de șlefuire/tăiere pentru a evita spargerea și fisurarea lor

ÎNAINTEA UTILIZĂRII

- Înaintea utilizării pentru prima dată a sculei este recomandat să primiți informații practice
- Montați întotdeauna mânerul auxiliar E ② și dispozitivul de protecție F ②; nu folosiți niciodată sculă fără ele
- **Folosiți detectoare adecvate pentru depistarea conductelor și conductorilor de alimentare sau apelați în acest scop la întreprinderea locală de furnizare a utilităților** (contactul cu conductorii electrici poate provoca incendii sau electrocutare; deteriorarea unei conducte de gaz poate duce la explozii; spargerea unei conducte de apă provoacă pagube materiale sau poate provoca electrocutare)
- **Nu prelucrați materiale care conțin azbest** (azbestul este considerat a fi cancerigen)
- Praful rezultat din materiale precum vopseala care conține plumb, unele specii de lemn, minerale și metale poate fi periculos (contactul cu praful sau inhalarea acestuia poate provoca reacții alergice și/sau afecțiuni respiratorii operatorului sau persoanelor care stau în apropiere); **purtați o mască de praf și lucrați cu un dispozitiv de extragere a prafului când poate fi conectat**

- Anumite tipuri de praf sunt clasificate ca fiind cancerigene (cum ar fi praful de stejar și fag) în special în combinație cu aditivi pentru tratarea lemnului; **purtați o mască de praf și lucrați cu un dispozitiv de extragere a prafului când poate fi conectat**
- Respectați reglementările naționale referitoare la aspirația prafului în funcție de materialele de lucru folosite
- Aveți grijă la tăierea canalelor, în special în zidurile de rezistență (orificiile în zidurile de rezistență se supun reglementărilor specifice țării respective; aceste reglementări trebuie respectate în toate situațiile)
- **Securizați piesa de lucru** (o piesă de lucru fixată cu clame sau într-o menghină este ținută mult mai în siguranță decât manual)
- Nu fixați sculă în menghină

ÎN TIMPUL FUNCȚIONĂRII

- În cazul unor defecțiuni electrice sau mecanice deconectați imediat instrumentul și scoateți bateria
- În cazul unei întreruperi a protecției bateriei sau în cazul în care bateria este scoasă, scula nu va reporni singură; pentru a reporni scula deblocați întrerupătorul de pornire/oprire și a puneți scula din nou în funcțiune ⑪

DUPĂ UTILIZARE

- După oprirea sculei, nu opriți niciodată rotația accesoriului aplicându-i acestuia o forță laterală

BATERIILOR

- **Bateria furnizată este parțial încărcată** (pentru a asigura o capacitate maximă a bateriei, încărcăți-o complet utilizând încărcătorul acesteia înainte de a utiliza scula electrică pentru prima dată)
- **Utilizați numai următoarele baterii și încărcătoare cu această sculă**
 - Baterie SKIL: BR1*31****
 - Încărcător SKIL: CR1*31****
- Nu utilizați bateria dacă este avariată; aceasta trebuie înlocuită
- Nu dezasamblați bateria
- Nu expuneți scula/bateria la ploaie
- Temperatură ambientă admisă (instrument/încărcător/acumulator):
 - în timpul încărcării 4...40°C
 - în timpul funcționării -20...+50°C
 - în timpul depozitării -20...+50°C

EXPLICAȚIA SIMBOLURILOR DE PE INSTRUMENT/ BATERIE

- ③ Citiți manual de instrucțiuni înainte de utilizare
- ④ Purtați ochelari de protecție și căști antifonice
- ⑤ Bateriile vor exploda când sunt aruncate în foc, deci nu ardeți bateriile sub niciun motiv
- ⑥ Păstrați instrumentul/încărcătorul/bateria la temperaturi cuprinse între 50°C și 0°C
- ⑦ Nu aruncați sculele electrice și bateriile direct la pubelele de gunoi

UTILIZAREA

- Încărcarea bateriei
- **! citiți avertismentele de siguranță și instrucțiunile care au fost furnizate împreună cu încărcătorul**
- Scoaterea/instalarea bateriilor ②
- Indicator nivel încărcare acumulator ⑧
 - apăsați butonul care indică nivelul de încărcare a bateriei L pentru a afișa nivelul actual de încărcare al bateriei ⑧a

- ! când nivelul minim al indicatorului bateriei începe să lumineze intermitent după apăsarea butonului L ⑧b, bateria este descărcată
- ! Când 2 nivelurile indicatorului bateriei încep să lumineze intermitent după apăsarea butonului L ⑧c, bateria nu se încălzează în intervalul permis de temperatură de funcționare
- Protecția bateriei
Aparatul este oprit brusc sau împiedicat să fie pornit când
 - sarcina este prea mare --> îndepărtați sarcina și reporniți
 - temperatura bateriei nu se încălzează în intervalul permis de temperatură de funcționare între -20 și +50 °C --> nivelurile 2 ale indicatorului nivelului de încărcare al bateriei încep să lumineze intermitent la apăsarea butonului L ⑧c; așteptați până când bateria revine în intervalul permis de temperatură de funcționare
 - bateria este aproape descărcată (pentru a proteja împotriva descărcării în totalitate) --> un nivel de încărcare scăzut al bateriei sau un nivel de încărcare scăzut al bateriei care luminează intermitent ⑧b este afișat de indicatorul nivelului de încărcare al bateriei la apăsarea butonului L; încărcăți bateria
- ! nu continuați să apăsați comutatorul pornit/oprit după oprirea automată a mașinii; în caz contrar, bateria poate fi deteriorată
- Montarea accesoriilor ②
! scoateți bateria din sculă
 - curățați fusul A și toate părțile care urmează a fi montate
 - strângeți flanșa de prindere B cu cheia de C în timp ce apăsați butonul de blocare a fusului D
- ! apăsați butonul de blocare a fusului D atunci când axul A este oprit
 - pentru demontarea accesoriilor acționați în ordinea inversă a operațiilor
- ! discurile de șlefuire/tăiere devin foarte fierbinti în timpul utilizării; nu le atingeți până nu s-au răcit
- ! nu folosiți niciodată un disc de șlefuire/tăiere căruia să îi lipsească inscripționarea sub forma unei etichete (în caz că acesta există)
- Montarea mânerului auxiliar E ⑨
! scoateți bateria din sculă
 - înșurubați mânerul auxiliar E în partea dreaptă, partea stângă sau partea superioară a mașinii (în funcție de operațiunea care urmează a fi efectuată)
- Demontarea/montarea/reglajul dispozitivului de protecție F ⑩
! scoateți bateria din sculă
! asigurați-vă că partea închisă a dispozitivului de protecție este întotdeauna îndreptată către operator
 - dacă este necesar, strângeți dispozitivul de protecție F prin înșurubarea șurubului G, care este presetat din fabrică (asigurați-vă că dispozitivul de protecție este închis)
- Înainte de a folosi scula
 - asigurați-vă că accesoriul este corect montat și bine strâns
 - verificați dacă accesoriul se învârteste liber, rotindu-l cu mâna

- testați sculă în funcționare cel puțin 60 de secunde la cea mai mare turatie de mers în gol într-o poziție sigură
- opriți imediat în cazul unor vibrații considerabile sau al altor defecte și verificați sculă pentru a stabili cauza
- Întrerupătorul cu blocare pornit/oprit J ⑪
 - porniți sculă ⑪a
 - ! așteptați-vă la un impact brusc atunci când sculă este conectată
 - ! înainte ca accesoriul să atingă piesa care urmează a fi prelucrată, sculă ar trebui să funcționeze la întreaga viteză
 - blocați întrerupătorul ⑪b
 - deblocați întrerupătorul/opriți sculă ⑪c
 - ! înainte de oprirea scula, trebuie să o ridicați de pe piesa de prelucrat
 - ! accesoriul continuă să se rotească pentru o scurtă perioadă de timp după ce sculă a fost deconectată
- Șlefuirea ⑫
 - mișcați sculă înainte –înapoi apăsând moderat
 - ! nu folosiți niciodată un disc de tăiere pentru șlefuirea laterală
- Tăierea ⑬
 - atunci când tăieți nu basculați sculă
 - mișcați întotdeauna sculă în aceeași direcție ca și șageata de pe port-sculă pentru ca sculă să nu fie aruncată din tăiere în mod necontrolat
 - nu apăsați scula; lăsați viteza discului de tăiere să-si îndeplinească sarcina
 - viteza de lucru a discului de tăiere depinde de materialul care trebuie tăiat
 - nu blocați discurile de tăiere cu presiune laterală
- Mănuirea și dirijarea sculei
 - țineți întotdeauna cu putere sculă cu ambele mâini, așa încât să o puteți controla în orice moment
 - ! în timp ce lucrați, țineți întotdeauna scula de zonă (zonele) de prindere colorate gri ⑭
 - mențineți o poziție sigură a corpului
 - fiți atenți la direcția de rotație; țineți întotdeauna sculă așa încât scânteele și praful provenit de la șlefuire/tăiere să nu se deplaseze în direcția corpului
 - mențineți fantele de ventilație K ② neacoperite
- Montarea/scoaterea cheii de buloane C ⑮
 - numai dacă scula este operată cu mâner auxiliar cu o carcasă integrată de stocare a cheii de buloane

SFATURI PENTRU UTILIZARE


- Pentru mai multe informații, consultați www.skil.com

ÎNȚREȚINERE / SERVICE

- Această sculă nu este destinată utilizării profesionale
- Păstrați întotdeauna aparatul curat (mai ales fantele de ventilație K ②)
- ! scoateți bateria din scula electrică înainte de curățare
- Dacă în ciuda procedeelelor de fabricație și control riguroase scula are totuși o pană, repararea acesteia se va face numai la un atelier de asistență service autorizat pentru scule electrice SKIL
 - trimiteți scula în **totalitatea lui** cu bonul de cumpărare la distribuitorul sau la centrul de service SKIL cel mai apropiat (adrese și diagrame de service se găsesc la www.skil.com)

- Трябва да бъдете конщенти за факта че влошаването дължащо се на прекомерно използване или неправилно използване на скелата ще бъдат изключени от гаранцията (за условията на гаранцията SKIL консултирайте www.skil.com или свържете се с дистрибутора)

MEDIUL

- **Не излагайте електрическите батерии, аксесоарите или инструментите директно на топлината от огъня** (само за страните от Европейската общност)
 - Директивата Европейска 2012/19/ЕС съдържа информацията за начина на изхвърляне на електрическите и електронните инструменти и модовете на използване в съответствие с законодателството на страната; електрическите инструменти в момента в които са достигнали степен на износване и трябва да бъдат изхвърляни, те трябва да бъдат събирани отделно и рециклирани по начин, който съответства на нормите за защита на околната среда
 - символът  означава това
- ! **преди използването на терминалите на батерията с защитни капаци**

ZGOMOT / VIBRAȚII


- **3920**
Измерено в съответствие с EN 60745, нивелът на звуковото налягане на този инструмент е 80,5 dB(A) и нивелът на шумовото налягане 91,5 dB(A) (неопределеността K = 3 dB) и вибрацията на повърхността 5,5 m/s² (сума на векторите триаксиална; неопределеността K = 1,5 m/s²)
! **за други приложения (например: шлифоване) могат да бъдат използвани и други нивела на вибрацията**
- **3921**
Измерено в съответствие с EN 60745, нивелът на звуковото налягане на този инструмент е 80,0 dB(A) и нивелът на шумовото налягане 91,0 dB(A) (неопределеността K = 3 dB) и вибрацията на повърхността 4,3 m/s² (сума на векторите триаксиална; неопределеността K = 1,5 m/s²)
! **за други приложения (например: шлифоване) могат да бъдат използвани и други нивела на вибрацията**
- Нивелът на вибрацията е измерен в съответствие с един стандартизиран тест в EN 60745; може да се използва за сравнение с нивелът на алта и за оценка на предварително изложеността на вибрацията тогава когато използвате скелата по приложенията, посочените
 - използването на скелата за приложенията, различните или с аксесоари различните и не поддържащи може да **увеличи** значително нивелът на изложеността
 - моментите в които скелата е спряна или когато функционира, но не работи, могат да **намалат** значително нивелът на изложеността
- ! **защитайте се от ефектите на вибрацията при използването на скелата и на аксесоарите, като използвате ръцете си и организирате работния процес**

BG

Безшумна шлифовалка 3920/3921

УВОД

- Този инструмент е предназначен за **леко** шлифоване, рязане и матиране на метали и каменни материали, без употреба на вода

- Този инструмент не е предназначен за професионална употреба
- **Не прилагайте натиск върху инструмента; оставете движението на режещия диск да извършва процеса**
- **Операциите по рязане с абразивни режещи колела са позволени само когато се използва протектор за рязане (предлага се като допълнителен SKIL аксесоар 2610S00253 (3920) / 2610S00275 (3921))**
- Прочетете и пазете това ръководство за работа 


ТЕХНИЧЕСКИ ДАННИ

ЕЛЕМЕНТИ НА ИНСТРУМЕНТА

- A Шпиндел
- B Затягащ фланец
- C Гаечен ключ
- D Бутон за заключване на шпиндела
- E Помощна ръчка
- F Защитна охрана
- G Винта на защитния капак
- H Скрепящия фланец
- J Включващ/изключващ заключващия ключ
- K Вентилационните отвори
- L Индикатор за капацитета на батерията
- M Лост за предпазен протектор

БЕЗОПАСНОСТ

ОБЩИ УКАЗАНИЯ ЗА БЕЗОПАСНА РАБОТА С ЕЛЕКТРОИНСТРУМЕНТИ

 **ПРЕДУПРЕЖДЕНИЕ** Прочете всички предупреждения за безопасност, инструкции, илюстрации и спецификации, доставени с този електроинструмент. Неспазването на всички описани по-долу инструкции може да доведе до токов удар, пожар и/или тежко нараняване.

Запазете всички предупреждения и указания за ползване в бъдеще.

Използваният по-долу термин "електроинструмент" се отнася до защитени от електрическата мрежа електроинструменти (със захранващ кабел) и до защитени от акумулаторна батерия електроинструменти (без захранващ кабел).

- 1) **БЕЗОПАСНОСТ НА РАБОТНОТО МЯСТО**
 - a) **Поддържайте работното си място чисто и подредено.** Безпорядъкът или недостатъчното осветление могат да спомогнат за възникването на трудова злополука.
 - b) **Не работете с електроинструмента в среда с повишена опасност от възникване на експлозия, в близост до леснозапалими течности, газове или прахообразни материали.** По време на работа в електроинструментите се отделят искри, които могат да възпламенят прахообразни материали или пари.
 - c) **Дръжте деца и странични лица на безопасно разстояние, докато работите с**

елетроинструмента. Ако вниманието Ви бъде отклонено, може да загубите контрола над електроинструмента.

2) БЕЗОПАСНОСТ ПРИ РАБОТА С ЕЛЕКТРИЧЕСКИ ТОК

- a) Щепселът на електроинструмента трябва да е подходящ за ползвания контакт. В никакъв случай не се допуска изменение на конструкцията на щепсела. Когато работите със занулени електроуреди, не използвайте адаптери за щепсела. Ползването на оригинални щепсели и контакти намалява риска от възникване на токов удар.
 - b) Избягвайте допира на тялото Ви до заземени тела, напр. тръби, отоплителни уреди, печии и хладилници. Когато тялото Ви е заземено, рискът от възникване на токов удар е по-голям.
 - c) **Предпазвайте електроинструмента си от дъжд и влага.** Проникването на вода в електроинструмента повишава опасността от токов удар.
 - d) **Не използвайте захранващ кабел за цели, за които той не е предвиден, напр. за да носите електроинструмента за кабела или да извадите щепсела от контакта. Предпазвайте кабела от нагряване, омасляване, допир до остри ръбове или до подвижни звена на машини.** Повредени или усукани кабели увеличават риска от възникване на токов удар.
 - e) **Когато работите с електроинструмент навън, използвайте само удължителни кабели, предназначени за работа на открито.** Използването на удължител, предназначен за работа на открито, намалява риска от възникване на токов удар.
 - f) **Ако се налага използването на електроинструмента във влажна среда, използвайте предпазен прекъсвач за утечни токове.** Използването на предпазен прекъсвач за утечни токове намалява опасността от възникване на токов удар.
- ## 3) БЕЗОПАСЕН НАЧИН НА РАБОТА
- a) **Бъдете концентрирани, следете внимателно действията си и постъпвайте предпазливо и разумно. Не използвайте електроинструмента, когато сте уморени или под влиянието на наркотични вещества, алкохол или упойващи лекарства.** Един миг разсеяност при работа с електроинструмент може да има за последствие изключително тежки наранявания.
 - b) **Работете с предпазващо работно облекло и винаги с предпазни очила.** Носенето на подходящи за ползвания електроинструмент и извършваната дейност лични предпазни средства, като дихателна маска, здрави плътнотзатворени обувки със стабилен грайфер, защитна наска или шумозаглушители (антифони), намалява риска от възникване на трудова злополука.
 - c) **Избягвайте опасността от включване на електроинструмента по невнимание. Преди да включите щепсела в захранващата мрежа или да поставите акумуляторната батерия, се уверявайте, че пусковият прекъсвач е в положение изключено.** Ако, когато носите електроинструмента, държите пръста си върху

пусковия прекъсвач, или ако подавате захранващо напрежение на електроинструмента, когато е включен, съществува опасност от възникване на трудова злополука.

- d) **Преди да включите електроинструмента, се уверявайте, че сте отстранили от него всички мощни инструменти и гаечни ключове.** Помощен инструмент, забравен на въртящо се звено, може да причини травми.
 - e) **Не надценявайте възможностите си. Работете в стабилно положение на тялото и във всеки момент поддържайте равновесие.** Така ще можете да контролирате електроинструмента по-добре и по-безопасно, ако възникне неочаквана ситуация.
 - f) **Работете с подходящо облекло. Не работете с широки дрехи или украшения. Дръжте косата и дрехите си на безопасно разстояние от движещи се звена.** Широките дрехи, украшенията, дългите коси могат да бъдат захванати и увлечени от въртящи се звена.
 - g) **Ако е възможно използването на външна аспирационна система, се уверявайте, че тя е включена и функционира изправно.** Използването на аспирационна система намалява рисковете, дължащи се на отделящата се при работа прах.
 - h) **Доброто познаване на електроинструмента всъществе на честа работа с него не е повод за намаляване на вниманието и пренебрегване на мерките за безопасност.** Едно невнимателно действие може да предизвика тежки наранявания само за части от секундата.
- ## 4) ВНИМАТЕЛНО ОТНОШЕНИЕ КЪМ ЕЛЕКТРОИНСТРУМЕНТИ
- a) **Не претоварвайте електроинструмента.** Използвайте електроинструментите само съобразно тяхното предназначение. Ще работите по-добре и по-безопасно, когато използвате подходящия електроинструмент в зададения от производителя диапазон на натоварване.
 - b) **Не използвайте електроинструмент, чиито пусков прекъсвач е повреден.** Електроинструмент, който не може да бъде изключван и включван по предвидения от производителя начин, е опасен и трябва да бъде ремонтиран.
 - c) **Преди да извършвате каквито и да е дейности по електроинструмента, напр. настройване, смяна на работен инструмент, както и когато го прибирате, изключвайте щепсела от контакта, респ. изваждайте батерията, ако е възможно.** Тази мярка премахва опасността от задействане на електроинструмента по невнимание.
 - d) **Съхранявайте електроинструментите на места, където не могат да бъдат достъпни от деца.** **Не допускате те да бъдат използвани от лица, които не са запознати с начина на работа с тях и не са прочели тези инструкции.** Когато са в ръцете на неопитни потребители, електроинструментите могат да бъдат изключително опасни.
 - e) **Поддържайте добре електроинструментите си и аксесоарите им. Проверявайте дали подвижните звена функционират безупорно, дали не заклинват, дали има счупени или повредени**

детайли, които нарушават или изменят функциите на електроинструмента. Преди да използвате електроинструмента, се погрижете повредените детайли да бъдат ремонтирани. Много от трудовете злополуки се дължат на недобро поддържани електроинструменти и уреди.

- f) **Поддържайте режещите инструменти винаги добре заточени и чисти.** Добре поддържаните режещи инструменти с остри ръбове оказват по-малко съпротивление и се водят по-леко.
- g) **Използвайте електроинструментите, допълнителните приспособления, работните инструменти и т.н., съобразно инструкциите на производителя. С дейности и процедури, евентуално предписани от различни нормативни документи.** Използването на електроинструменти за различни от предвидените от производителя приложения повишава опасността от възникване на трудови злополуки.
- h) **Поддържайте дръжките и ръкохватките сухи, чисти и неомаслени.** Хлъзгавите дръжки и ръкохватки не позволяват безопасна работа и доброто контролиране на електроинструмента при възникване на неочаквана ситуация.
- 5) **ВНИМАТЕЛНО ОТНОШЕНИЕ КЪМ АКУМУЛАТОРНИ ЕЛЕКТРОИНСТРУМЕНТИ**
 - a) **За зареждането на акумулаторни батерии използвайте само зарядните устройства, препоръчвани от производителя.** Когато използвате зарядни устройства за зареждане на неподходящи акумулаторни батерии, съществува опасност от възникване на пожар.
 - b) **За захранване на електроинструментите използвайте само предвидените за съответния модел акумулаторни батерии.** Използването на различни акумулаторни батерии може да предизвика трудова злополука и/или пожар.
 - c) **Предпазвайте неизползваните акумулаторни батерии от контакт с големи или малки метални предмети, напр. кламери, монети, ключове, пирони, винтове и др.п., тъй като те могат да предизвикат късо съединение.** Последствията от късото съединение могат да бъдат изгаряния или пожар.
 - d) **При неправилно използване от акумулаторна батерия от нея може да изтече електролит. Избягвайте контакта с него. Ако въпреки това на кожата Ви попадне електролит, изплакнете мястото обилно с вода. Ако електролит попадне в очите Ви, незабавно се обърнете за помощ към очен лекар.** Електролитът може да предизвика изгаряния на кожата.
 - e) **Не използвайте акумулаторна батерия или електроинструмент, които са повредени или с изменена конструкция.** Повредени или изменени акумулаторни батерии могат да се възпламенят, експлодират или да предизвикат наранявания.
 - f) **Не излагайте акумулаторната батерия на високи температури или огън.** Излагането на огън или температури над 130°C могат да предизвикат експлозии.
 - g) **Спазвайте всички указания за зареждане на акумулаторната батерия; не я зареждайте, ако**

температурата ѝ е извън диапазона, посочен в инструкциите. Неправилното зареждане или зареждането при температури извън допустимия диапазон могат да увредят батерията и увеличават опасността от пожар.

6) ПОДДЪРЖАНЕ

- a) **Допускайте ремонтът на електроинструментите Ви да се извършва само от квалифицирани специалисти и само с използването на оригинални резервни части.** По този начин се гарантира съхраняване на безопасността на електроинструмента.
- b) **Никога не ремонтирайте повредени акумулаторни батерии.** Ремонтът на акумулаторни батерии трябва да се извършва само от производителя или от оторизиран сервиз.

УКАЗАНИЯ ЗА БЕЗОПАСНА РАБОТА ЗА ЪГЛОШЛАЙФ

- 1) **ОБЩИ УКАЗАНИЯ ЗА БЕЗОПАСНА РАБОТА ПРИ ШЛИФОВАНЕ С ДИСК И С ШКУРКА, ПОЧИСТВАНЕ С ТЕЛЕНА ЧЕТКА, ПОЛИРАНЕ И РЯЗАНЕ С АБРАЗИВЕН ДИСК**
 - a) **Този електроинструмент може да се използва за шлифване и рязане с абразивен диск. Спазвайте всички указания и предупреждения, съобразявайте се с приведените технически параметри и изображения.** Ако не спазвате посочените по-долу указания, последствията могат да бъдат токов удар, пожар и/или тежки травми.
 - b) **Този инструмент не се препоръчва за почистване с шкурка, почистване с телена четка или за полиране.** Дейностите, за които инструментът не е предназначен, може за създадат опасност и да причинят телесно нараняване.
 - c) **Не използвайте допълнителни приспособления, които не се препоръчват от производителя специално за този инструмент.** Фактът, че можете да закрепите към инструмента определено приспособление или работен инструмент, не гарантира безопасна работа с него.
 - d) **Допустимата скорост на въртене на работния инструмент трябва да е не по-малка от изписаната на табелката на електроинструмента максимална скорост на въртене.** Инструменти, които се въртят с по-висока скорост от максимално допустимата, могат да се разрушат.
 - e) **Външният диаметър и дебелината на работния инструмент трябва да съответстват на данните, посочени в техническите характеристики на Вашия електроинструмент.** Работни инструменти с неподходящи размери не могат да бъдат екранирани по необходимия начин или да бъдат контролирани достатъчно добре.
 - f) **Работни инструменти с опасна на резба трябва да пасват точно на присъединителната резба на вала на машината.** При работни инструменти, които се монтират с помощта на фланец, диаметърът на отвора трябва да пасва точно на диаметъра на присъединителното стъпало на фланеца. Работни инструменти, които не бъдат захванати правилно към електроинструмента,

се въртят неравномерно, вибрират силно и могат да предизвикат загуба на контрол над електроинструмента.

- g) **Не използвайте повредени работни инструменти.** Преди всяка употреба проверявайте работните инструменти, напр. абразивните дискове за пукнатини или откътрени ръбчета, подложните дискове за пукнатини или силно износване, телените четки за недобре захванати или счупени телчета. Ако изтървете електроинструмента или работния инструмент, ги проверявайте внимателно за увреждания или използвайте нови неповредени работни инструменти. След като сте проверили внимателно и сте монтирали работния инструмент, оставете електроинструмента да работи на максимални обороти в продължение на една минута; стойте и дръжте намиращи се наблизо лица встрани от равнината на въртене. Най-често повредени работни инструменти се чупят през този тестов период.
- h) **Работете с лични предпазни средства.** В зависимост от приложението работете с цяла масна за лице, защита за очите или предпазни очила. Ако е необходимо, работете с дихателна маска, шумозаглушители (антифони), работни обувки или специализирана престилка, която Ви предпазва от малки откътрени при работата частички. Очите Ви трябва да са защитени от летящите в зоната на работа частички. Противопраховата или дихателната маска филтрират възникващия при работа прах. Ако продължително време сте изложени на силен шум, това може да доведе до загуба на слух.
- i) **Внимавайте други лица да бъдат на безопасно разстояние от зоната на работа.** Всеки, който се намира в зоната на работа, трябва да носи лични предпазни средства. Откътрени парченца от обработвания детайл или работния инструмент могат в резултат на силното ускорение да отлетят надалече и да предизвикат наранявания също и извън зоната на работа.
- j) **Дръжте електроинструмента само за изолираните повърхности за захващане при изпълняване на операция, при която аксесоарът може да влезе в контакт със скрити кабели.** Аксесоар, влизащ в контакт с "жив" електрически проводник, може да направи изложените метални части на електроинструмента "живи" и това да причини електрически удар у оператора.
- k) **Дръжте захравания кабел на безопасно разстояние от въртящия се работен инструмент.** Ако изгубите контрол над електроинструмента, кабелът може да бъде пререзан или увлечен от работния инструмент и това да предизвика наранявания, напр. на ръката Ви.
- l) **Никога не оставяйте електроинструмента, преди работния инструмент да спре напълно въртенето си.** Въртящият се инструмент може да допре до предмет, в резултат на което да загубите контрол над електроинструмента.
- m) **Докато пренасяте електроинструмента, не го оставяйте включен.** Дрехите или косите Ви могат да бъдат увлечени от работния инструмент

- в резултат на неволен допир, в резултат на което работният инструмент може да се вреже в тялото Ви.
- n) **Редовно почиствайте вентилационните отвори на Вашия електроинструмент.** Турбината на електродвигателя засмуква прах в корпуса, а натрупването на метален прах увеличава опасността от токов удар.
- o) **Не използвайте електроинструмента в близост до леснозапалими материали.** Летящи искри могат да предизвикат възпламеняването на такива материали.
- p) **Не използвайте работни инструменти, които изискват прилагането на охлаждащи течности.** Използването на вода или други охлаждащи течности може да предизвика токов удар.
- 2) ОТКАТ И СЪВЕТИ ЗА ИЗБЯГВАНЕТО МУ**
- Откат е внезапната реакция на инструмента вследствие на заклиняване или блокиране на въртящия се работен инструмент, напр. абразивен диск, гумен подложен диск, телена четка и др.п. Заклинването или блокирането води до рязкото спиране на въртенето на работния инструмент. Вследствие на това инструментът получава силно ускорение в посока, обратна на посоката на движение на инструмента в точката на блокиране, и става неуправляем.
 - Ако напр. абразивен диск се заклини или блокира в обработваното изделие, ръбът на диска, който допира детайла, може да се огъне и в резултат дискът да се счупи или да възникне откат. В такъв случай дискът се ускорява към работещия с инструмента или в обратна посока, в зависимост от посоката на въртене на диска и мястото на заклиняване. В такива случаи абразивните дискове могат и да се счупят.
 - Откат възниква в резултат на неправилно или погрешно използване на електроинструмента. Възникването му може да бъде предотвратено чрез спазването на подходящи предпазни мерки, както е описано по-долу.
- a) **Дръжте електроинструмента здраво и дръжте ръцете и тялото си в такава позиция, че да противостоите на евентуално възникващ откат.** Ако инструментът има спомагателна ръкохватка, винаги я използвайте, за да го контролирате по-добре при откат или при възникващите реакционни моменти по време на включване. Ако предварително вземете подходящи предпазни мерки, при възникване на откат или силни реакционни моменти можете да овладеете инструмента.
- b) **Никога не поставяйте ръцете си в близост до въртящи се работни инструменти.** Ако възникне откат, инструментът може да нарани ръката Ви.
- c) **Избягвайте да заставате в зоната, в която би отснучил инструмента при възникване на откат.** Откатът премества инструмента в посока, обратна на посоката на движение на работния инструмент в зоната на блокиране.
- d) **Работете особено предпазливо в зоните на ъгли, остри ръбове и др.п. Избягвайте отблъскването или заклиняването на работните инструменти в обработвания детайл.** При обработване на ъгли или остри ръбове или при рязко отблъскване на въртящия се работен инструмент съществува

повишена опасност от заклинване. Това предизвиква загуба на контрол над инструмента или откат.

- e) **Не използвайте верижни или назъбени режещи листове.** Такива работни инструменти често предизвикват откат или загуба на контрол над електроинструмента.
- 3) **СПЕЦИАЛНИ УКАЗАНИЯ ЗА БЕЗОПАСНА РАБОТА ПРИ ШЛИФОВАНЕ ИЛИ РЪЗАНЕ С АБРАЗИВНИ ДИСКОВЕ**
- a) **Използвайте само предвидените за Вашия електронструмент абразивни дискове и предназначения за използвания абразивен диск предпазен кожух.** Абразивни дискове, които не са предназначени за електроинструмента, не могат да бъдат екранирани добре и не гарантират безопасна работа.
- b) **Огънати дискове трябва да се монтират така, че шлифовачата им повърхност да не се подава извън равнината на външния ръб на предпазния кожух.** Неправилно монтиран шлифовач диск, който се подава извън предпазния кожух, не може да бъде екраниран от кожата достатъчно добре.
- c) **Предпазният кожух трябва да е захванат здраво към инструмента и да е разположен така, че да осигурява максимална безопасност, напр. абразивният диск не трябва да е насочен непокрит от кожуха към работещия с инструмента.** Кожухът трябва да предпазва работещия с инструмента от отхвърчащи откъртени парченца, от влизане в съприкосновение с въртящия се абразивен диск и от искри, които могат да запалят облеклото.
- d) **Допуска се използването на абразивните дискове само за целите, за които те са предвидени.** Напр.: никога не шлифовайте със страничната повърхност на диск за рязане. Дисковете за рязане са предназначени за отнемане на материал с ръба си. Странично прилагане на сила може да ги счупи.
- e) **Винаги използвайте застопоряващи фланци, които са в безупорно състояние и съответстват по размери и форма на използвания абразивен диск.** Използването на подходящ фланец предпазва диска и по този начин намалява опасността от счупването му. Застопоряващите фланци за режещи дискове могат да се различават от тези за дискове за шлифване.
- f) **Не използвайте износени абразивни дискове от по-големи електроинструменти.** Дисковете за по-големи машини не са предназначени за въртене с високите скорости, с които се въртят по-малките, и могат да се счупят.
- 4) **СПЕЦИАЛНИ УКАЗАНИЯ ЗА БЕЗОПАСНА РАБОТА ЗА РЕЖЕЩИ ДИСКОВЕ**
- a) **Избягвайте блокиране на режещия диск или силното му притискане. Не изпълнявайте твърде дълбоки срезове.** Претоварването на режещия диск увеличава опасността от заклинването му или блокирането му, а с това и от възникването на откат или счупването му, докато се върти.
- b) **Избягвайте да заставате в зоната пред и зад въртящия се режещ диск.** Когато режещият диск е в една равнина с тялото Ви, в случай на откат електроинструментът с въртящия се диск може да

отскочи непосредствено към Вас и да Ви нарани.

- c) **Ако режещият диск се заклини или когато пренъсвате работа, изключвайте електроинструмента и го оставайте едва след окончателното спиране на въртенето на диска.** Никога не опитвайте да извадите въртящия се диск от междината на рязане, в противен случай може да възникне откат. Определете и отстранете причината за заклинването.
- d) **Не включвайте повторно електроинструмента, ако дискът се намира в разрязания детайл.** Преди внимателно да продължите рязането, изчакайте режещият диск да достигне пълната си скорост на въртене. В противен случай дискът може да се заклини, да отскочи от обработвания детайл или да предизвика откат.
- e) **Подпирайте плочи или големи разрязани детайли по подходящ начин, за да ограничите риска от възникване на откат в резултат на заклинен режещ диск.** По време на рязане големи детайли могат да се огънат под действие на силата на собственото си тегло. Детайлът трябва да е подпрян от двете страни, както в близост до линията на разрязване, така и в другия си край.
- f) **Бъдете особено предпазливи при прорязване на канали в стени или други зони, които могат да крият изненади.** Режещият диск може да предизвика откат на инструмента при допир до газопроводи, електропроводи или други обекти.

ДОПЪЛНИТЕЛНИ УКАЗАНИЯ ЗА БЕЗОПАСНА РАБОТА

ОБЩИ

- Този инструмент не е подходящ за мокро шлифване/рязане
- Използвайте само фланците, доставени с инструмента
- Машината не трябва да се използва от лица под 16 години
- **Изваждайте батерията от инструмента преди всякакви регулировки или смяна на принадлежности**

АКСЕСОАРИ

- SKIL може да осигури безаварийна работа на електроинструмента само ако се използват оригинални допълнителни приспособления
- При монтиране и употреба на консумативи, не произведени от SKIL, следвайте инструкциите на съответния производител
- **Използвайте само шлифовачи/режещи дискове с максимална дебелина 6 мм и диаметър на шинделния отвор 22 мм**
- Никога не използвайте намалители или други приспособления за напасване отвора на диска
- Никога не използвайте консумативи с резбован отвор, по-малък M14 x 21 mm
- За да избегнете счупване или напукване съхранявайте дисковете и работете с тях много внимателно

ПРЕДИ УПОТРЕБА

- Преди да използвате инструмента за първи път, се препоръчва да получите практическа информация относно работата с нея

- Винаги монтирайте помощната дръжка Е ② и защитния капак F ②; никога не работете с инструмента без тях
- **За да откриете скрити под повърхността електро-, водо- и газопроводи, използвайте подходящи уреди или се обърнете към местното снабдително дружество** (прекъсването на електропроводници под напрежение може да предизвика пожар и/или токов удар; увреждането на газопровод може да предизвика експлозия; засягането на водопровод може да предизвика значителни материални щети и/или токов удар)
- **Не обработвайте азбестосъдържащ материал** (азбестът е канцерогенен)
- Прахът от някои материали, като например съдържаща олово боя, някои видове дървесина, минерали и метали може да бъде вреден (контакт или вдишване на такъв прах могат да причинят алергични реакции и/или респираторни заболявания на оператора или стоящите наблизо лица); **използвайте противопрахова маска и работете с аспириращо прахта устройство, когато такова може да бъде свързано**
- Определени видове прах са класифицирани като карциногенни (като прах от дъб и бук) особено когато са комбинирани с добавки за подобряване на състоянието на дървесината; **използвайте противопрахова маска и работете с аспириращо прахта устройство, когато такова може да бъде свързано**
- Следвайте дефинираните по БДС изисквания относно прахашеността за материалите, които желаете да обработвате
- Внимавайте при рязане на греди, особено в носещи стени (при тези стени цепнатините са поставени по специален начин, указан в съответните регулации за страната; спазвайте тези регулации)
- **Обезопасете работния материал** (материал, затегнат в затагящ инструмент или в менгеме е по-устойчив, отколкото ако се държи в ръка)
- Не затагяйте електроинструмента в преса или менгеме

ПРИ УПОТРЕБА

- В случай на електрическа или механична неизправност изключете незабавно инструмента и извадете батерията
- В случай на премахната защита на батерията или когато батерията е премахната, инструментът няма да се стартира сам; за рестартиране на инструмента отключете превключвателя за включено/изключено и включете отново инструмента ①

СЛЕД РАБОТА

- След като изключите инструмента, никога не прилагайте допълнителна сила за да спрете въртенето на аксесоарите

БАТЕРИИ

- **Идващата в комплекта батерия е частично заредена** (за да осигурите пълен капацитет на батерията, заредете напълно батерията в зарядното устройство за батерия, преди да използвате вашия електроинструмент за първи път)
- **Използвайте само следните батерии и зарядни устройства с този инструмент**
 - SKIL батерия: BR1*31****
 - SKIL зарядно устройство: CR1*31****
- Не използвайте батерията, когато е повредена; тя трябва да бъде заменена

- Не разглобявайте батерията
- Не излагайте на дъжд инструмента/батерията
- Допустима околна температура (инструмент/зарядното устройство/батерия):
 - при зареждане 4...40°C
 - по време на работа -20...+50°C
 - при съхраняване -20...+50°C

ОБЯСНЕНИЕ НА СИМВОЛИТЕ ПО ИНСТРУМЕНТА/ АКУМУЛАТОРНАТА БАТЕРИЯ

- ③ Преди употреба прочетете ръководството с указания
- ④ Носете защитни очила и тапи за уши
- ⑤ Хвърлен в огън, акумулаторът ще експлодира, така че не изгаряйте акумулатора по каквато и да е причина
- ⑥ Съхранявайте инструмента/зарядното устройство/батерията в помещения при температури, не по-високи от 50°C
- ⑦ Не изхвърляйте електроуредите и батерии заедно с битови отпадъци

УПОТРЕБА

- Зареждане на акумулатора
 - ! прочетете предупрежденията и инструкциите за безопасност, доставени със зарядното устройство
- Изваждане/поставяне на батерията ②
- Индикатор за капацитета на батерията ⑧
 - натиснете бутона за индикатор на нивото на заряд на батерията L за показване на текущото ниво на заряд на батерията ⑧a
 - ! когато най-ниското ниво на индикатора за заряд на батерията започне да мига след натискане на бутона L ⑧b, батерията е празна
 - ! когато 2 нивата на индикатора за заряд на батерията започнат да мигат след натискане на бутона L ⑧c, батерията не е в допустимия работен температурен диапазон
- Защита на батерията
 - Инструментът внезапно се изключва или не позволява да се включи, когато
 - натоварването е прекратено голямо --> премахнете натоварването и рестартирайте
 - температурата на батерията е извън допустимия работен температурен диапазон от -20 до +50°C --> 2 нивата на индикатора за заряд на батерията започват да мигат, когато натискате бутона L ⑧c; изчакайте, докато батерията си възвърне допустимия работен температурен диапазон
 - батерията е почти празна (за предпазване срещу пълно разреждане) --> ниско ниво на батерията или мигащо ниско ниво на батерията ⑧b е показано чрез индикатора за заряд на батерията, когато натискате бутона L; заредете батерията
 - ! след автоматичното изключване на инструмента не продължавайте да натискате спусъка, понеже може да се повреди акумулаторът
- Монтиране на аксесоарите ②
 - ! изваждайте батерията от инструмента
 - почистете шпиндела A и всички части, които ще се монтират
 - с ключа C притегнете затагящ фланеца B като натискате бутона за заключване на шпиндела D

! **натиснете бутона за заключване на шпиндела D само когато шпинделът A е в напълно спряно положение**

- за премахване на консумативи следвайте обратния ред

! **по време на работа режещите дискове се загряват; не ги докосвайте докато не изстинат напълно**

! **никога не използвайте режещия диск без залепения върху него етикет (винаги я използвайте)**

- Монтиране на помощната дръжка E ⑨

! **изваждайте батерията от инструмента**

- завийте спомагателната ръкохватка E от дясната страна, отгоре или от лявата страна на инструмента (в зависимост от това, какво ще извършвате)

- Сваляне/монтиране/регулиране на защитния капак F ⑩

! **изваждайте батерията от инструмента**

! **уверете се затворения край на защитния капак е насочен към оператора**

- ако е необходимо, закрепете защитния капак F затягайки винта G, който е фабрично настроен (проверявайте дали защитният капак е затворен)

- Преди употреба

- уверете се, че аксесоарите са правилно поставени и здраво затегнати

- проверете дали аксесоарите се въртят свободно като ги завъртите с ръка

- предварително тествайте инструмента, като я включите най-малко за 60 секунди на максимална скорост

- в случай на силни вибрации или други неизправности, веднага спрете инструмента за установяване на повредата

- Включете/изключете ключа J ⑪

- включете инструмента ⑪а

! **при включване на инструмента внимавайте за внезапни удари или тласъци**

! **преди аксесоарът да докосне работната площ, инструмента трябва да работи с максимална скорост**

- заключете ключа ⑪b

- отключете ключа/изключете инструмента ⑪c

! **преди да изключите инструмента, трябва да я вдигнете от работната повърхност**

! **аксесоарите продължават да се въртят известно време след изключване на инструмента**

- Шлифование ⑫

- с умерен натиск движете инструмента напред-назад

! **никога не използвайте режещ диск за странично шлифование**

- Рязане ⑬

- не навеждайте инструмента при рязане

- за да избегнете неочаквано отскачане на инструмента встрани, винаги движете инструмента в посока на стрелката, която се намира върху главата

- не прилагайте натиск върху инструмента; оставете движението на режещия диск да извършва процеса

- работната скорост на режещия диск зависи от материала, който трябва да се отреже

- не спирайте режещия диск с външен натиск

- Държане и насочване на инструмента

- винаги дръжте инструмента здраво с двете ръце, така че през цялото време да сте в състояние да я управлявате сигурно

! **по време на работа, винаги дръжте уреда за оцветената(ите) в сиво зона(и) за хващане ⑭**

- снабдете се с устойчива стойка

- обърнете внимание на посоката на въртене; винаги дръжте инструмента така, че искрите и прахът от тялото

- оставайте вентилационните отвори K ② непокрити

- Монтиране/демонтиране на гаечен ключ C ⑮

- приложимо е само ако инструментът е произведен с помощна дръжка с интегрирано хранилище за гаечни ключове

УКАЗАНИЯ ЗА РАБОТА

- За повече информация вижте www.skil.com

ПОДДРЪЖКА / СЕРВИЗ

- Този инструмент не е предназначен за професионална употреба

- Винаги поддържайте инструмента чист (особено вентилационните отвори K ②)

! **извадете батерията от инструмента преди почистване**

- Ако въпреки прецизното производство и внимателно изпитване възникне повреда, инструмента да се занесе за ремонт в оторизиран сервиз за електроинструменти на SKIL

- занесете инструмента в **неразглобен вид** заедно с доказателство за покупката му в търговския обект, откъдето сте го закупили, или в най-близкия сервиз на SKIL (адресите, както и схемата за сервизно обслужване на електроинструмента, можете да намерите на адрес www.skil.com)

- Имайте предвид, че повреда поради претоварване или неправилно манипулиране с инструмента ще бъдат изключени от гаранцията (за условията на гаранцията от SKIL виж на интернет адрес: www.skil.com или попитайте вашия дилър)

ОПАЗВАНЕ НА ОКОЛНАТА СРЕДА

- **Не изхвърляйте електроуредите, батерии, приспособленията и опаковките заедно с битови отпадъци** (само за страни от ЕС)

- съобразно Директивата на ЕС 2012/19/EG относно износени електрически и електронни уреди и отразяването ѝ в националното законодателство износените електроуреди следва да се събират отделно и да се предават за рециклиране според изискванията за опазване на околната среда

- за това указва символът ⑦ тогава когато трябва да бъдат унищожени

! **преди да изхвърлите батерията, защитете изводите ѝ с дебела лепенка, за да няма опасност от възникване на късо съединение**

ШУМ / ВИБРАЦИИ

• 3920

Измерено в съответствие с EN 60745, нивото на звуковото налягане на този инструмент е 80,5 dB(A), а нивото на звуковата мощност 91,5 dB(A) (неопределеност K = 3 dB), и вибрацията при шлифоване на повърхности 5,5 m/s² (триаксиална векторна сума; неопределеност K = 1,5 m/s²)

! при други приложения (като рязане например) може да имат различно ниво на вибрации

• 3921

Измерено в съответствие с EN 60745, нивото на звуковото налягане на този инструмент е 80,0 dB(A), а нивото на звуковата мощност 91,0 dB(A) (неопределеност K = 3 dB), и вибрацията при шлифоване на повърхности 4,3 m/s² (триаксиална векторна сума; неопределеност K = 1,5 m/s²)

! при други приложения (като рязане например) може да имат различно ниво на вибрации

- Нивото на предадените вибрации е измерено в съответствие със стандартизиран тест, определен в EN 60745; то може да се използва за сравнение на един инструмент с друг и като предварителна оценка на подлагането на вибрации при използването на инструмента за посочените приложения

- използването на инструмента за различни от тези приложения или с други, или лошо поддържани аксесоари може значително **да повиши** нивото на което сте подложени

- периодите от време, когато инструмента е изключен или съответно включен, но с него не се работи в момента могат значително **да намалят** нивото на което сте подложени

! предпазвайте се от ефектите от вибрациите, като поддържате инструмента и аксесоарите му, пазите ръцете си топли и организирате вашите модели на работа

SK

Акumulátorová uhlová brúska 3920/3921

ÚVOD

- Tento nástroj je určený na ľahké brúsenie, rezanie a odstraňovanie kovových a kamenných materiálov bez použitia vody
- Tento nástroj nie je vhodný pre profesionálne použitie
- **Netlačte na nástroj; nechajte pracovať rýchlosť rezacieho kotúča**
- **Rezanie pomocou brúsnych kotúčov pre odrezávanie je povolené len vtedy, keď sa používa ochranný kryt (dostupný ako dodatočné príslušenstvo SKIL 2610S00253 (3920) / 2610S00275 (3921))**
- Prečítajte a uschovajte tento návod na použitie ③

TECHNICKÉ ÚDAJE ①

ČASŤI NÁSTROJA ②

- A Vreteno
- B Upínacia príručka
- C Maticový kľúč

- D Gombík na uzamknutie vretena
- E Pomocné držadlo
- F Ochranný kryt
- G Ochranný kryt skrutka
- H Montážna príručka
- J Blokovací spínač zapnutie/vypnutie
- K Vetracie štrbiny
- L Indikátor nabitia akumulátora
- M Páčka ochranného krytu

BEZPEČNOSŤ

VŠEOBECNÉ BEZPEČNOSTNÉ UPOZORNENIA TYKAJÚCE SA ELEKTRICKÉHO NÁRADIA

⚠ VÝSTRAHA Prečítajte si všetky bezpečnostné výstrahy, pokyny, ilustrácie a technické údaje, ktoré sú dodané s týmto elektrickým nástrojom. Nedodržanie všetkých nižšie uvedených pokynov môže viesť k poraneniu elektrickým prúdom, požiaru a/alebo vážnemu poraneniu.

Všetky upozornenia a pokyny si odložte na ďalšie použitie.

Pojem „elektrické náradie“ používaný v nasledujúcom texte sa vzťahuje na ručné elektrické náradie napájané zo siete (prívodnou šnúrou) a na ručné elektrické náradie napájané akumulátorovou batériou (bez prívodnej šnúry).

1) BEZPEČNOSŤ NA PRACOVISKU

- a) **Udržujte svoje pracovisko čisté a upratané.** Neporiadok na pracovisku alebo neosvetlené časti pracoviska môžu viesť k úrazom.
- b) **Nepracujte elektrickým náradím v prostredí ohrozenom výbuchom, v ktorom sa nachádzajú horľavé kvapaliny, plyny alebo prach.** Elektrické náradie produkuje iskry, ktoré môžu prach alebo pary zapáliť.
- c) **Deti a iné osoby udržiavajte počas práce od ručného elektrického náradia v dostatočnej vzdialenosti.** V prípade odpútania Vašej pozornosti by ste mohli stratiť kontrolu nad náradím.

2) ELEKTRICKÁ BEZPEČNOSŤ

- a) **Zástrčka prívodnej šnúry sa musí hodiť do napájacej zásuvky. Zástrčka sa v žiadnom prípade nesmie meniť. Pri uzemnených spotrebičoch nepoužívajte spolu s nimi žiadne adaptéry.** Nezmenená zástrčka a vhodná zásuvka znižujú riziko zásahu elektrickým prúdom.
- b) **Vyhýbajte sa telesnému kontaktu s povrchovými plochami uzemnených spotrebičov, ako sú elektrické rúry, vyhrievacie telesá, sporáky a chladničky.** Keď je Vaše telo uzemnené, riziko zásahu elektrickým prúdom je vyššie.
- c) **Chráňte ručné elektrické náradie pred dažďom a vlhkom.** Vniknutie vody do ručného elektrického náradia zvyšuje riziko zásahu elektrickým prúdom.
- d) **Nepoužívajte prívodnú šnúru na prenášanie náradia, na jeho vešanie, ani za ňu nevyťahujte zástrčku zo zásuvky. Prívodnú šnúru chráňte pred horúčavou, olejom, ostrými hranami alebo pohybujúcimi sa časťami náradia.** Poškodené alebo zauzlené šnúry zvyšujú riziko zásahu elektrickým prúdom.

- e) **Ak pracujete s ručným elektrickým náradím vonku, používajte len také predlžovacie šnúry, ktoré sú schválené pre používanie vo vonkajších priestoroch.** Používanie predlžovacej šnúry určenej do vonkajšieho prostredia znižuje riziko zásahu elektrickým prúdom.
- f) **Ak sa nedá vyhnúť použitiu ručného elektrického náradia vo vlhkom prostredí, použite prerušovač uzemňovacieho obvodu.** Používanie prerušovača uzemňovacieho obvodu znižuje riziko zásahu elektrickým prúdom.

3) BEZPEČNOSŤ OSÔB

- a) **Buďte pozorní, dávajte pozor na to, čo robíte a k práci s elektrickým náradím pristupujte rozumne.** Nepoužívajte elektrické náradie, keď ste unavení alebo keď ste pod vplyvom drog, alkoholu alebo liekov. Chvíľa nepozornosti pri používaní náradia môže viesť k vážnym poraneniam.
- b) **Noste osobné ochranné pomôcky, ochranný odev a vždy majte nasadené ochranné okuliare.** Nosenie pracovného odevu a používanie ochranných pomôcok ako ochrannej dýchacej masky, bezpečnostných protišmykových topánok, prilby alebo chrániča sluchu, podľa druhu elektrického náradia, znižuje riziko poranenia.
- c) **Vyhýbajte sa neúmyselnému uvedeniu ručného elektrického náradia do činnosti. Pred zasunutím zástrčky do zásuvky a/alebo pred pripojením akumulátora, pred chytením alebo prenášaním ručného elektrického náradia sa vždy presvedčte sa, či je ručné elektrické náradie vypnuté.** Ak budete mať pri prenášaní ručného elektrického náradia prst na vypínači, alebo ak ručné elektrické náradie pripojíte na elektrickú sieť zapnutú, môže to mať za následok nehodu.
- d) **Skôr ako ručné elektrické náradie zapnete, odstráňte nastavovacie a montážne nástroje.** Nástroj alebo kľúč, ktorý sa nachádza v pohyblivej časti náradia, môže spôsobiť poranenie.
- e) **Neprečeneňte sa. Zabezpečte si pevný postoj a neprestajne udržiavajte rovnováhu.** Takto budete môcť ručné elektrické náradie v neočakávaných situáciách lepšie kontrolovať.
- f) **Pri práci noste vhodný pracovný odev. Nenoste široké odevy a nemajte na sebe šperky. Vyvarujte sa toho, aby sa vaše vlasy a odev dostali do blízkosti pohyblivých častí.** Voľný odev, dlhé vlasy alebo šperky môžu byť zachytené rotujúcimi časťami ručného elektrického náradia.
- g) **Ak možno namontovať zariadenie na odsávanie alebo zachytávanie prachu, presvedčte sa, či je pripojené a správne používané.** Používanie odsávacieho zariadenia a zariadenia na zachytávanie prachu znižuje riziko ohrozenia zdravia prachom.
- h) **Nepodliehajte falošnému pocitu istoty získanej z častého používania náradia a nekonajte v rozpore s princípmi bezpečného používania náradia.** Nepozorná práca môže v priebehu zlomkov sekundy viesť k ťažkému poraneniu.
- 4) **STAROSTLIVÉ ZAOBCHÁDZANIE S ELEKTRICKÝM NÁRADÍM A JEHO POUŽÍVANIE**
 - a) **Náradie nepreťažujte. Pre svoju prácu používajte určené elektrické náradie.** Pomocou vhodného

- ručného elektrického náradia budete môcť v uvedenom rozsahu výkonu pracovať lepšie a bezpečnejšie.
- b) **Nepoužívajte žiadne ručné elektrické náradie, ktoré má pokazený vypínač.** Ručné elektrické náradie, ktoré sa už nedá zapínať alebo vypínať, je nebezpečné a treba ho dať opraviť.
- c) **Skôr ako začnete náradie nastavovať alebo prestavovať, vymieňať príslušenstvo alebo ako odložíte náradie, vždy vyťahnite koncovku sieťovej šnúry zo zásuvky a/alebo vyberte akumulátor, ak sa dá vybrať.** Toto preventívne opatrenie zabraňuje neúmyselnému spusteniu ručného elektrického náradia.
- d) **Nepoužívané ručné elektrické náradie uschovávajte mimo dosahu detí. Nedopusťte, aby ručné elektrické náradie používali osoby, ktoré s ním nie sú dôkladne oboznámené, alebo ktoré si neprečítali tento Návod na používanie.** Ak ručné elektrické náradie používajú neskúsené osoby, stáva sa nebezpečným nástrojom.
- e) **Ručné elektrické náradie a príslušenstvo starostlivo ošetrte.** Skontrolujte, či pohyblivé súčiastky náradia bezchybne fungujú a neblokujú a či nie sú zlomené alebo poškodené niektoré súčiastky, ktoré by mohli negatívne ovplyvniť fungovanie ručného elektrického náradia. **Pred použitím ručného elektrického náradia dajte poškodené súčiastky opraviť.** Nejedyn úraz bol spôsobený zle udržiavaným náradím.
- f) **Používané nástroje udržiavajte ostré a čisté.** Starostlivo ošetrované nástroje s ostrými reznými hranami sa menej často zablokujú a ich vedenie je podstatne ľahšie.
- g) **Používajte ručné elektrické náradie, príslušenstvo, pracovné nástroje a pod. podľa týchto pokynov. Zohľadnite pritom konkrétne pracovné podmienky a činnosť, ktorú máte vykonať.** Používanie ručného elektrického náradia na iné ako určené účely môže viesť k nebezpečným situáciám.
- h) **Rukoväti a úchopové povrchy udržiavajte suché, čisté a bez oleja alebo mazacieho tuku.** Šmykľavé rukoväti a úchopové povrchy neumožňujú bezpečnú manipuláciu a ovládanie náradia v neočakávaných situáciách.
- 5) **STAROSTLIVÉ ZAOBCHÁDZANIE S ELEKTRICKÝM NÁRADÍM NAPÁJANÝM AKUMULÁTOROM A JEHO POUŽÍVANIE**
 - a) **Akumulátory nabíjajte len v takých nabíjačkách, ktoré odporúča výrobca.** Ak nabíjate nabíjačkou určenou pre určitý druh akumulátorov iné akumulátory, hrozí nebezpečenstvo požiaru.
 - b) **Do ručného elektrického náradia používajte len určené akumulátory.** Používanie iných akumulátorov môže mať za následok poranenie, alebo môže spôsobiť vznik požiaru.
 - c) **Keď akumulátor nepoužívate, zabezpečte, aby sa nemohol dostať do styku s kancelárskymi sponami, mincami, kľúčmi, klíncami, skrutkami alebo inými drobnými predmetmi, ktoré by mohli spôsobiť premostenie kontaktov.** Skrat medzi kontaktními akumulátora môže spôsobiť popálenie alebo požiar.
 - d) **Ak sa akumulátor používa nevhodne, môže z neho unikáť kvapalina.** Vyhýbajte sa kontaktu s ňou. V prípade náhodného kontaktu umyte postihnuté miesto vodou. Ak sa dostane akumulátorová kvapalina do očí, vyhľadajte okrem toho aj

lekársku pomoc. Vytekájúca kvapalina môže spôsobiť podráždenie pokožky alebo popáleniny.

- e) **Nepoužívajte poškodený alebo upravený akumulátor alebo náradie.** Poškodené alebo upravené akumulátory môžu neočakávane reagovať a spôsobiť požiar, výbuch alebo zranenie.
 - f) **Akumulátory alebo náradie nevhadzujte do ohňa alebo nevystavujte nadmerným teplotám.** Vystavenie pôsobeniu ohňa alebo teploty nad 130°C môže spôsobiť výbuch.
 - g) **Dodržujte pokyny na nabíjanie a akumulátory alebo náradie nenabíjajte mimo teplotného rozsahu uvedeného v pokynoch.** Nesprávne nabíjanie alebo teploty mimo špecifikovaného rozsahu môžu poškodiť akumulátor a zvýšiť riziko požiaru.
- 6) SERVIS**
- a) **Ručné elektrické náradie zverte do opravy len kvalifikovanému personálu a používajte len originálne náhradné súčiastky.** Tým sa zabezpečí zachovanie bezpečnosti ručného elektrického náradia.
 - b) **Nikdy neopravujte poškodené akumulátory.** Akumulátory môže opravovať len výrobca alebo autorizovaný servis.

BEZPEČNOSTNÉ POKYNY PRE UHLOVÉ BRÚSKY

1) SPOLOČNÉ BEZPEČNOSTNÉ POKYNY PRE BRÚSENIE, BRÚSENIE BRÚSNYM PAPIEROM, PRE PRÁCU S DRÔTENOU KEFOU, LEŠTENIE A REZANIE

- a) **Toto ručné elektrické náradie sa používa ako brúska a ako náradie na rezanie. Rešpektujte všetky výstražné upozornenia, pokyny, obrázky a údaje, ktoré ste dostali s týmto ručným elektrickým náradím.** Ak by ste nedodržali nasledujúce pokyny, mohlo by to mať za následok zásah elektrickým prúdom, vznik požiaru a/alebo vážne poranenie.
- b) **Toto elektrické náradie nie je určené na šmirgľovanie, čistenie drôtenou kefou ani leštenie.** Vykonávanie činností, na ktoré toto elektrické náradie nie je určené, môžu predstavovať nebezpečenstvo a spôsobiť zranenie.
- c) **Nepoužívajte žiadne také príslušenstvo, ktoré nebolo výrobcom určené a odporúčané špeciálne pre toto pneumatické náradie.** Okolnosť, že príslušenstvo sa dá na toto ručné elektrické náradie upevniť, ešte neznamená, že to zaručuje jeho bezpečné používanie.
- d) **Prípustný počet obrátok pracovného nástroja musí byť minimálne taký vysoký ako maximálny počet obrátok uvedený na ručnom elektrickom náradí.** Príslušenstvo, ktoré sa otáča rýchlejšie, by sa mohlo zničiť.
- e) **Vonkajší priemer a hrúbka pracovného nástroja musia zodpovedať rozmerovým údajom uvedeným na ručnom elektrickom náradí.** Nesprávne dimenzované pracovné nástroje môžu byť nedostatočne odclonené a kontrolované.
- f) **Pracovné nástroje, ktoré sú vybavené vložkou so závitom, musia presne pasovať na závit brúsneho vretena. Pri takých pracovných nástrojoch, ktoré sa montujú pomocou príruby, treba priemer otvoru pracovného nástroja prispôbiť upínaciemu priemeru príruby.** Pracovné nástroje, ktoré nie sú presne upevnené do upínacieho mechanizmu ručného elektrického náradia, sa otáčajú nerovnomerne a intenzívne vibrujú, čo môže mať za následok stratu kontroly nad ručným elektrickým náradím.
- g) **Nepoužívajte žiadne poškodené pracovné nástroje. Pred každým použitím tohto ručného elektrického náradia skontrolujte, či nie sú pracovné nástroje, ako napr. brúsne kotúče, vyštřbené alebo vylomené, či nemajú brúsne taniere vylomené miesta, trhliny alebo miesta intenzívneho potrebovania, či nie sú na drôtených kefách uvoľnené alebo polámané drôty. Keď ručné elektrické náradie alebo pracovný nástroj spadli na zem, prekontrolujte, či nie sú poškodené, alebo použite nepoškodený pracovný nástroj. Keď ste prekontrolovali a upli pracovný nástroj, zabezpečte, aby ste neboli v rovine rotujúceho nástroja, ani sa tam nenachádzali ani žiadne iné osoby, ktoré sú v blízkosti Vášho pracoviska, a nechajte ručné elektrické náradie bežať jednu minútu na maximálne obrátky.** Poškodené pracovné nástroje sa obvyčajne za tento čas testovania zlomia.
- h) **Používajte osobné ochranné prostriedky. Podľa druhu použitia náradia používajte ochranný štít na celú tvár, štít na oči alebo ochranné okuliare. Pokiaľ je to primerané, používajte ochrannú dýchaciu masku, chrániče sluchu, pracovné rukavice alebo špeciálnu zásteru, ktorá zadrží odletujúce drobné čistočky brusiva a obrábaného materiálu.** Predovšetkým oči treba chrániť pred odletujúcimi cudzími teleskami, ktoré vznikajú pri rôznom spôsobe používania náradia. Ochrana proti prachu alebo ochranná dýchacia maska musia predovšetkým odfiltrovať konkrétny druh prachu, ktorý vzniká pri danom druhu použitia náradia. Keď je človek dlhšiu dobu vystavený hlasnému hluku, môže utrieť stratu sluchu.
- i) **Zabezpečte, aby sa iné osoby nachádzali v bezpečnej vzdialenosti od Vášho pracoviska. Každá osoba, ktorá vstúpi do pracovného dosahu náradia, musí byť vybavená osobnými ochrannými pomôckami.** Úlomky obrobku alebo zlomený pracovný nástroj môžu odletieť a spôsobiť poranenie osôb aj mimo priameho pracoviska.
- j) **Elektrické náradie držte iba za izolované plochy rukovätí pri vykonávaní takej práce, pri ktorej by príslušenstvo mohlo natrafiť na skryté elektrické vedenie.** Kontakt príslušenstva s vedením, ktoré je pod napätím, spôsobí, že aj kovové súčiastky náradia sa dostanú pod napätie, čo môže spôsobiť zásah operátora elektrickým prúdom.
- k) **Zabezpečte, aby sa prívodná šnúra nenachádzala v blízkosti rotujúcich pracovných nástrojov náradia. Ak stratíte kontrolu nad ručným elektrickým náradím, môže sa prerušiť alebo zachytiť prívodná šnúra a Vaša ruka a Vaše predlaktie sa môžu dostať do rotujúceho pracovného nástroja.**
- l) **Nikdy neodkladajte ručné elektrické náradie skôr, ako sa pracovný nástroj úplne zastaví.** Rotujúci pracovný nástroj sa môže dostať do kontaktu s odkladacou plochou, následkom čoho by ste mohli stratiť kontrolu nad ručným elektrickým náradím.
- m) **Nikdy nemajte ručné elektrické náradie zapnuté vtedy, keď ho prenášate na iné miesto. Náhodným**

kontaktem Vašich vlasov alebo Vášho oblečenia s rotujúcim pracovným nástrojom by sa Vám pracovný nástroj mohol zavŕtať do tela.

- n) **Pravidelne čistite vetracie otvory svojho ručného elektrického náradia.** Ventilátor motora vŕha do telesa náradia prach a veľké nahromadenie kovového prachu by mohlo spôsobiť vznik nebezpečného zásahu elektrickým prúdom.
 - o) **Nepoužívajte toto ručné elektrické náradie v blízkosti horľavých materiálov.** Odletujúce iskry by mohli tieto materiály zapáliť.
 - p) **Nepoužívajte žiadne také pracovné nástroje, ktoré potrebujú chladienie kvapalinou.** Použitie vody alebo iných chladiacich prostriedkov môže mať za následok zásah elektrickým prúdom.
- 2) SPÄTNÝ RÁZ A VÝSTRAŽNÉ UPOZORNENIA**
- Spätňý ráz je náhlu reakciu náradia na vzpriechený, zaseknutý alebo blokujúci pracovný nástroj, napríklad brúsny kotúč, brúsny tanier, drôtená kefa a pod. Zaseknutie alebo zablokovanie vedie k náhlemu zastaveniu rotujúceho pracovného nástroja. Takýmto spôsobom sa nekontrolované ručné elektrické náradie rozkrúti na zablokovanom mieste proti smeru otáčania pracovného nástroja.
 - Keď sa napríklad brúsny kotúč vzpriechi alebo zablokuje v obrobru, môže sa hrana brúsneho kotúča, ktorá je zapichnutá do obrobru, zachytiť sa v materiáli a tým sa vylomiť z brúsneho taniera, alebo spôsobiť spätňý ráz náradia. Brúsny kotúč sa potom pohybuje smerom k osobe alebo smerom preč od nej podľa toho, aký bol smer otáčania kotúča na mieste zablokovania. Brúsne kotúče sa môžu v takomto prípade aj rozlomiť.
 - Spätňý ráz je následkom nesprávneho a chýbného používania ručného elektrického náradia. Vhodnými preventívnymi opatreniami, ktoré popisujeme v nasledujúcom texte, mu možno zabrániť.
- a) **Ručné elektrické náradie vždy držte pevne a svoje telo a ruky udržiavajte vždy v takej polohe, aby ste vydržali prípadný spätňý ráz náradia. Pri každej práci používajte prídavnú rukoväť, ak ju máte k dispozícii, aby ste mali čo najväčšiu kontrolu nad silami spätňého rázu a reakčnými momentmi pri rozbehu náradia.** Pomocou vhodných opatrení môže obsluhujúca osoba sily spätňého rázu a sily reakčných momentov zvládnuť.
 - b) **Nikdy nedávajte ruku do blízkosti rotujúceho pracovného nástroja.** Pri spätňom ráze by Vám mohol pracovný nástroj zasiahnuť ruku.
 - c) **Nemajte telo v priestore, do ktorého by sa mohlo ručné elektrické náradie v prípade spätňého rázu vymrštiť.** Spätňý ráz vymrštiť ručné elektrické náradie v smere proti pohybu brúsneho kotúča na mieste blokovania.
 - d) **Mimoriadne opatrne pracujte v oblasti rohov, ostrých hrán a pod. Zabráňte tomu, aby obrobru vymrštil pracovný nástroj proti Vám, alebo aby sa v ňom pracovný nástroj zablokoval.** Rotujúci pracovný nástroj má sklon zablokovať sa v rohoch, na ostrých hranách alebo vtedy, keď je vyhodnený. To má za následok stratu kontroly alebo spätňý ráz.
 - e) **Nepoužívajte list na pílenie dreva ani iný ozubený pílový list.** Takéto pracovné nástroje často spôsobujú spätňý ráz alebo stratu kontroly nad ručným elektrickým náradím.

3) OSOBITNÉ BEZPEČNOSTNÉ PREDPISY PRE BRÚSENIE A OPRACOVÁVANIE POVRCHOV BRÚSENÍM

- a) **Používajte výlučne brúsne telesá schválené pre Vaše ručné elektrické náradie a ochranný kryt určený pre konkrétne zvolené brúsne teleso.** Brúsne telesá, ktoré neboli schválené pre dané ručné elektrické náradie, nemôžu byť dostatočne odčlenené a sú nespoľahlivé.
 - b) **Lomené brúsne kotúče treba montovať tak, aby ich brúsna plocha neprečnievala cez rovinnu okraja ochranného krytu.** Neodborne namontovaný brúsny kotúč, ktorý prečnieva cez rovinnu okraja ochranného krytu, sa nedá dostatočne odcloniť.
 - c) **Ochranný kryt musí byť spoľahlivo upevnený priamo na pneumatickom náradí a musí byť nastavený tak, aby sa dosiahla maximálna miera bezpečnosti, t.j. brúsne teleso nesmie byť otvorené proti obsluhujúcej osobe.** Ochranný kryt musí chrániť obsluhujúcu osobu pred úlomkami brúsneho telesa a obrobru, náhodným kontaktom s brúsny telesom a iskrami, ktoré by mohli zapáliť oblečenie.
 - d) **Brúsne telesá sa smú používať len pre odporúčanú oblasť používania.** Napr. : Nikdy nesmiete brúsiť bočnou plochou rezacieho kotúča. Rezacie kotúče sú určené na uberanie materiálu hranou kotúča. Bočné pôsobenie sily na tento kotúč môže spôsobiť ich zlomenie.
 - e) **Vždy používajte pre vybraný typ brúsneho kotúča neposkodenú upínacia prírubu správneho rozmeru a tvaru.** Vhodná prírubu podopiera brúsny kotúč a znižuje nebezpečenstvo zlomenia brúsneho kotúča. Prírubby pre rezacie kotúče sa môžu odlišovať od prírub pre ostatné brúsne kotúče.
 - f) **Nepoužívajte žiadne opotrebované brúsne kotúče z väčšieho ručného elektrického náradia.** Brúsne kotúče pre väčšie ručné elektrické náradie nie sú dimenzované pre vyššie obrátky menších ručných elektrických náradí a môžu sa rozlomiť.
- 4) ĎALŠIE OSOBITNÉ VÝSTRAŽNÉ UPOZORNENIA K REZACÍM KOTUČOM**
- a) **Vyhýbajte sa zablokovaniu rezacieho kotúča alebo použitiu príliš veľkého prítlaku. Nevykonávajte žiadne nadmierne hlboké rezy.** Prefaženie brúsneho kotúča zvyšuje jeho namáhanie a neefektivitu na vzpriechenie alebo zablokovanie a tým zvyšuje aj možnosť vzniku spätňého rázu alebo zlomenia brúsneho kotúča.
 - b) **Vyhýbajte sa prirosteru pred rotujúcim rezacím kotúčom a za ním.** Keď pohybuje rezacím kotúčom v obrobru smerom od seba, v prípade spätňého rázu môže byť ručné elektrické náradie vymrštené rotujúcim kotúčom priamo na Vás.
 - c) **Ak sa rezací kotúč zablokuje, alebo ak prerušíte prácu, ručné elektrické náradie vypnite a pokojne ho držte dovtedy, kým sa rezací kotúč úplne zastaví. Nepokúšajte sa vyberať rezací kotúč z rezu vtedy, keď ešte beží, pretože by to mohlo mať za následok vyvolanie spätňého rázu.** Zistite príčinu zablokovania rezacieho kotúča a odstráňte ju.
 - d) **Nikdy znova nezapínajte ručné elektrické náradie dovtedy, kým sa rezací kotúč nachádza v obrobru. Skôr ako budete opatrne pokračovať v reze, počkajte, kým dosiahne rezací kotúč maximálny počet obrátok. V opačnom prípade sa môže rezací**

kotúč zaseknúť, vyskočiť z obrobku alebo vyvolať spätný ráz.

- e) **Veľké platne pri rezaní podoprite, aby ste znížili riziko spätného rázu zablokovaním rezacieho kotúča.** Veľké obrobky sa môžu následkom vlastnej hmotnosti prehnúť. Obrobok treba podoprieť na oboch stranách, aj v blízkosti rezu aj v blízkosti hrany.
- f) **Mimoriadne opatrený buďte pri rezaní do neznámych stien alebo do iných neprehľadných miest.** Zapichovaný rezací kotúč (zanorenie) môže pri zarezaní do plynového alebo vodovodného potrubia, do elektrického vedenia alebo iných objektov spôsobiť spätný ráz.

DĎALŠIE BEZPEČNOSTNÉ POKYNY

VŠEOBECNE

- Tento stroj nie je vhodný pre brúsenie/rezanie za mokra
- Používajte len príruby, ktoré sú dodané s týmto nástrojom
- Tento nástroj by nemali používať osoby mladšie ako 16 rokov
- **Pred nastavením alebo výmenou príslušenstva alebo vždy vyťahnite batériu**

PRÍSLUŠENSTVO

- SKIL zabezpečí hladký chod nástroja len ak sa používa pôvodné príslušenstvo
- Pri montáži/používaní iného príslušenstva ako SKIL si preštudujte pokyny daného výrobcu
- **Používajte len brúsne/rezacie kotúče s maximálnou hrúbkou 6 mm a priemerom otvoru na hriadeľ 22 mm**
- Nikdy nepoužívajte reduktory alebo adaptéry, aby ste mohli založiť brúsne/rezacie kotúče s väčším otvorom
- Nikdy nepoužívajte príslušenstvo so "slepým" otvorom so závitom, ktorý je menší ako M14 x 21 mm
- S brúsnymi/rezacími kotúčmi narábajte opatrne a starostlivo ich skladujte, aby ste ich nevydtepieli a neodlúpili

PRED POUŽITÍM

- Pred použitím nástroja po prvý krát sa doporučuje obdržať praktické informácie
- Vždy namontujte pomocnú rúčku E ② a ochranný kryt F ②; nástroj bez nich nikdy nepoužívajte
- **Na vyhľadanie skrytých elektrických vedení, plynových a vodovodných potrubí použite vhodné hľadacie prístroje, alebo sa spojte s príslušným dodávateľom** (kontakt s elektrickým vedením môže mať za následok vznik požiaru alebo spôsobiť zásah elektrickým prúdom; poškodenie plynového potrubia môže spôsobiť výbuch; prevrtánie vodovodného potrubia spôsobí vecné škody, alebo môže spôsobiť zásah elektrickým prúdom)
- **Neobrábajte materiál, ktorý obsahuje azbest** (azbest sa považuje za rakovinotvorný materiál)
- Prach z materiálu, akým je náter obsahujúci olovo, niektoré druhy dreva, minerály a kovy môže byť škodlivý (styk alebo nadýchanie prachu môže spôsobiť alergické reakcie a/alebo respiračné ochorenia obsluhy a okolostojacích osôb); **používajte ochrannú masku tváre a pracujte so zariadením na odsávanie prachu, ak je takéto zariadenie možné pripojiť**
- Určité druhy prachu sú klasifikované ako karcinogénne (akým je bukový prach), a to hlavne v spojení s prísadami pre úpravu dreva; **používajte ochrannú masku tváre a pracujte so zariadením na odsávanie prachu, ak je takéto zariadenie možné pripojiť**

- Dodržujte stanovené nariadenia pre prácu v prašnom prostredí
- Buďte opatrný pri rezaní podpier, najmä pri rezaní oporných múrov (drážky v oporných múroch sú predmetom špecifických noriem platných pre danú krajinu; tieto normy sa musia za každých okolností preštudovať)
- **Zaistite obrábaný diel** (obrábaný diel uchytený pomocou upínacích zariadení alebo vo zveráku je oveľa bezpečnejší kým v ruke)
- Neupevňujte nástroj do zveráka

POČAS PRÁCE

- V prípade elektrickej alebo mechanickej poruchy zastavte okamžite nástroj a vyťahnite batériu
- V prípade vypnutia z dôvodu ochrany batérie alebo pri odpojení batérie sa náradie samo znovu nespustí; ak chcete náradie znovu spustiť, odistite vypínač a náradie znovu zapnite ①

PO PRAČI

- Po vypnutí nástroja nikdy nezastavujte rotáciu príslušenstva tak, že ho budete zastavovať priečnou silou proti nemu

BATÉRIÍ

- **Dodaná akumulátorová batéria je čiastočne nabitá** (na zaručenie úplnej kapacity batérie ju pred prvým používaním nástroja úplne nabite v nabíjačke)
- **S týmto nástrojom používajte len nasledujúce batérie a nabíjačky**
 - Batéria SKIL: BR1*31****
 - Nabíjačka SKIL: CR1*31****
- Nepoužívajte batériu, keď je poškodená; mala by sa vymeniť
- Batériu nerozoberajte
- Nástroj ani batériu nevystavujte dažďu
- Povolená teplota okolia (nástroj/nabíjačka/akumulátor):
 - pri nabíjaní 4...40°C
 - pri prevádzke -20...+50°C
 - pri skladovaní -20...+50°C

VYSVETLENIE SYMBOLOV UMIESTNENÝCH NA NÁSTROJ/AKUMULÁTORE

- ③ Pred použitím si prečítajte návod na obsluhu
- ④ Používajte ochranné okuliare a tlmiče hluku na uši
- ⑤ Batérie po vhození do ohňa vybuchnú a preto batériu zo žiadneho dôvodu do ohňa nevhadzujte
- ⑥ Nástroj, nabíjačku a batériu skladujte na miestach, kde teplota neprekročí 50°C
- ⑦ Nevhadzujte elektrické náradie a batérie do komunálneho odpadu

POUŽITIE

- Nabíjanie batérie
 - ! **prečítajte si bezpečnostné výstrahy a pokyny dodané s nabíjačkou**
- Vybratie/vloženie batérie ②
- Indikátor nabitia akumulátora ⑧
 - Stlačením tlačidla indikátora úrovne nabitia batérie L zobrazíte aktuálnu úroveň nabitia batérie ⑧a
 - ! **Keď po stlačení tlačidla L ⑧b začne blikať indikátor najnižšej úrovne nabitia batérie, znamená to, že batéria je prázdna**
 - ! **Keď začne blikať indikátor úrovne nabitia batérie 2 po stlačení tlačidla L ⑧c, znamená to, že batéria nemá povolený rozsah prevádzkových teplôt**

- Ochrana batérie
Nástroj sa náhle vypína alebo sa nedá zapnúť v prípade, že
 - **záťaž je príliš vysoká** --> odstráňte záťaž a reštartujte ho
 - **batéria nemá povolený rozsah prevádzkových teplôt od -20 do +50 °C** --> indikátor úrovni nabitia batérie 2 začne po stlačení tlačidla L ③ c blikat; počkajte, kým teplota batérie znova neklesne do povoleného prevádzkového rozsahu
 - **batéria je takmer vybitá (v záujme zaistenia ochrany pred hlbokým vybitím)** --> batéria ukazuje nízku úroveň nabitia alebo indikátor nízkej úrovne nabitia batérie ⑧ b po stlačení tlačidla L bliká; batériu nabite

! potom ako sa nástroj automaticky vypne, nestláčajte tlačidlo zapnúť/vypnúť, môže sa poškodiť batéria
- Upínacie zariadenia ②
 - ! batériu vyberajte z nástroja**
 - vycistíte vreteno A a všetky časti, ktoré sa montujú
 - dotiahnite upínaciu prírubu B kľúčom C, pričom stláčate gombík D na zaistenie vretena
 - ! gombík D na zaistenie vretena stlačte až keď vreteno A zastane**
 - pri demontáži príslušenstva postupujte opačne
 - ! počas práce sú brúsne/rezacie kotúče veľmi horúce; nedotýkajte sa ich, až kým nevychladnú**
 - ! nikdy nepoužívajte brúsne/rezacie kotúče bez nálepky, ktorá je na ne nalepená (ak ju máte k dispozícii)**
- Montáž pomocnej rukoväte E ⑨
 - ! batériu vyberajte z nástroja**
 - priskrutkujte pomocnú rukoväť E na pravú, hornú alebo ľavú stranu nástroja (podľa práce, ktorá sa má vykonávať)
- Demontáž/montáž/nastavenie ochranného krytu F ⑩
 - ! batériu vyberajte z nástroja**
 - ! zabezpečte, aby uzatvorená strana ochranného krytu bola vždy natočená k operátorovi**
 - v prípade potreby, upevnite ochranný kryt F pritiahnutím skrutky G, ktorá bola prednastavená počas výroby (**skontrolujte, či je ochranný kryt uzavretý**)
- Pred použitím nástroja
 - zabezpečte, aby príslušenstvo bolo správne namontované a pevne utiahnuté
 - skontrolujte či sa príslušenstvo voľne pohybuje tak, že ho pootočíte rukou
 - otestujte beh nástroja tak, že ho v bezpečnej polohe necháte bežať najmenej 60 sekúnd bez záťaže pri najvyšších otáčkach
 - v prípade, že sa objavia veľké vibrácie alebo iné vady, okamžite nástroj zastavte a skontrolujte ho, aby ste určili príčinu závady
- Blokovací vypínač na zapínanie/vypínanie J ⑪
 - zapnite nástroj ⑪ a
 - ! pozor na náhle trhnutie po zapnutí nástroja**
 - ! predtým, ako sa príslušenstvo dostane na miesto obrábania, mal by nástroj bežať na plné otáčky**
 - vypínač zablokuje ⑪ b
 - odblokujte vypínač/vypnite nástroj ⑪ c
 - ! pred vypnutím nástroja by ste ho mali zdvihnúť z miesta obrábania**
 - ! príslušenstvo ešte chvíľu po vypnutí nástroja otáča**

- Brúsenie ⑫
 - pohybujte nástrojom dozadu a dopredu s miernym tlakom
 - ! nikdy nepoužívajte rezacie kotúče na bočné brúsenie**
- Rezanie ⑬
 - pri rezaní nenakláňajte nástroj
 - nástrojom pohybujte vždy v rovnakom smere, ako ukazuje dípka na hlave nástroja, aby ste zabránili tomu, že sa nástroj z rezu vytlačí nekontrolovaným spôsobom
 - netlačte na nástroj; nechajte pracovať rýchlosť rezacieho kotúča
 - pracovná rýchlosť rezacieho kotúča závisí od materiálu, ktorý sa reže
 - nebrzdte rezacie disky bočným tlakom
- Držanie a vedenie nástroja
 - vždy držte nástroj pevne obidvomi rukami, aby ste mali nástroj vždy plne pod kontrolou
 - ! počas práce vždy držte nástroj v oblasti sivého držadla(ie) ⑭**
 - zaujmite bezpečnú polohu
 - venujte pozornosť smeru otáčania; nástroj držte vždy tak, aby iskry a prach z brúsenia/rezania dopadali mimo vášho tela
 - vetracie štrbiny K ② udržiajte nezakryté
- Montáž/demontáž maticového kľúča C ⑮
 - platí len v prípade, že nástroj obsahuje pomocnú rukoväť s integrovaným miestom na uloženie kľúča

RADA NA POUŽITIE


- Ďalšie informácie nájdete na adrese www.skil.com

ÚDRŽBA / SERVIS

- Tento nástroj nie je vhodný pre profesionálne použitie
- Nástroj neustále udržiajte čistý (najmä vetracie štrbiny K ②)
- ! pred čistením vyberte akumulátor z nástroja**
- Ak by nástroj napriek starostlivej výrobe a kontrole predsa len prestal niekedy fungovať, treba dať opravu vykonať autorizovanej servisnej opravovni elektrického náradia SKIL
 - pošlite nástroj **bez rozmontovania** spolu s dôkazom o kúpe; vášmu dilerovi alebo do najbližšieho servisného strediska SKIL (zoznam adries servisných stredísk a servisný diagram nástroja sú uvedené na www.skil.com)
- Uvedomte si, že poškodenie spôsobené preťažením alebo nesprávnym zaobchádzaním bude zo záruky vylúčené (záručné podmienky spoločnosti SKIL nájdete na stránke www.skil.com alebo si ich vyžiadajte u svojho predajcu)

ŽIVOTNÉ PROSTREDIE

- **Elektrické náradie, batérie, príslušenstvo a balenia nevyhadzujte do komunálneho odpadu** (len pre štáty EÚ)
 - podľa európskej smernice 2012/19/EG o nakladaní s použitými elektrickými a elektronickými zariadeniami a zodpovedajúcich ustanovení právnych predpisov jednotlivých krajín sa použité elektrické náradie musí zbierať oddelene od ostatného odpadu a podrobiť ekologicky šetrnej recyklácii

- pripomenie vám to symbol , keď ju bude treba likvidovať

! **pred likvidáciou ochráňte vývody batérie hrubou páskou, aby ste zabránili skratu**

HLUK / VIBRÁCIE

• 3920

Hladina akustického tlaku nameraná v súlade s normou EN 60745 je 80,5 dB(A) a hladina akustického výkonu je 91,5 dB(A) (neistota K = 3 dB) a vibrácie pri povrchovom brúsení 5,5 m/s² (triaxový vektorový súčet; neistota K = 1,5 m/s²)

! **ostatné aplikácie (ako napr. vyrezávanie) môžu udávať iné hodnoty vibrácií**

• 3921

Hladina akustického tlaku nameraná v súlade s normou EN 60745 je 80,0 dB(A) a hladina akustického výkonu je 91,0 dB(A) (neistota K = 3 dB) a vibrácie pri povrchovom brúsení 4,3 m/s² (triaxový vektorový súčet; neistota K = 1,5 m/s²)

! **ostatné aplikácie (ako napr. vyrezávanie) môžu udávať iné hodnoty vibrácií**


- Hladina emisií od vibrácií bola nameraná v súlade s normalizovaným testom uvedeným v norme EN 60745; môže sa používať na vzájomné porovnávanie náradí a na predbežné posúdenie vystavenia účinkom vibrácií pri používaní náradia pre uvedené aplikácie
- používanie náradia na rôzne aplikácie, alebo v spojení s rôznymi alebo nedostatočne udržiavanými doplnkami môže značne **zvýšiť** úroveň vystavenia
- časové doby počas ktorých je je náradie vypnuté alebo počas ktorých náradie beží ale v skutočnosti nevykonáva prácu môžu značne **znižit'** úroveň vystavenia

! **chráňte sa pred účinkami vibrácií tak, že budete náradie a jeho príslušenstvo správne udržiavať, tak že nebudete pracovať so studenými rukami a tak že si svoje pracovné postupy správne zorganizujete**

HR

Kutna bežična brusilica 3920/3921

UVOD

- Ovaj je uređaj predviđen za **lakše** grubo brušenje, rezanje i skidanje srha na metalnim i kamenim materijalima, bez hlađenja vodom
- Ovaj uređaj nije namijenjen profesionalnoj upotrebi
- **Na uređaj ne djelovati prevelikim pritiskom; pustiti da brzina brusne ploče sama napravi posao**
- Operacije rezanja s abrazivnim pločama za rezanje dopuštene su samo kad se upotrebljava rezni štitnik (omogućen kao izborni dodatak za SKIL 2610S00253 (3920) / 2610S00275 (3921))
- Pažljivo pročitajte i sačuvajte ove upute za rukovanje 

TEHNIČKI PODACI


DIJELOVI ALATA

- A Vreteno
- B Stezna prirubnica

- C Stezač
- D Gumb za aretiranje vretena
- E Pomoćna drška
- F Sigurnosni štitnik
- G Matica sigurnosni štitnik
- H Montažna prirubnica
- J Blokadni prekidač uključeno/isključeno
- K Otvori za strujanje zraka
- L Pokazivač stanja napunjenosti baterije
- M Ručica sigurnosnog štitnika

SIGURNOST

OPĆA SIGURNOSNA UPOZORENJA ZA ELEKTRIČNE ALATE

 **UPOZORENJE Pročitajte sva sigurnosna upozorenja, upute, ilustracije i specifikacije isporučene s ovim električnim alatom.** Zbog nepridržavanja svih uputa koje su navedene u nastavku može doći do nastanka strujnog udara, požara i/ili teške ozljede.

Sva upozorenja i upute sačuvajte kao referencu za buduće upotrebe.

U daljnjem tekstu korišten pojam "električni alat" odnosi se na električne alate s priključkom na električnu mrežu (s mrežnim kablom) i na električne alate s napajanjem iz aku baterije (bez mrežnog kabela).

1) SIGURNOST NA RADNOM MJESTU

- a) **Vaše radno područje održavajte čisto i uredno.** Nered ili neosvijetljeno radno područje mogu doći do nezgoda.
- b) **S uređajem ne radite u okolini ugroženoj eksplozijom, u kojoj se nalaze zapaljive tekućine, plinovi ili prašina.** Električni alati proizvode iskre koje mogu zapaliti prašinu ili pare.
- c) **Djecu i ostale osobe držite dalje tijekom korištenja električnog alata.** Ako bi skrenuli pozornost sa posla mogli bi izgubiti kontrolu nad uređajem.

2) ELEKTRIČNA SIGURNOST

- a) **Priključni utikač uređaja treba odgovarati utičnici.** Na utikaču se ni u kojem slučaju ne smiju izvoditi izmjene. **Ne koristite adapterske utikače zajedno sa uređajima koji su zaštićeni uzemljenjem.** Originalni utikač i odgovarajuće utičnice smanjuju opasnost od električnog udara.
- b) **Izbjegavajte dodir tijela s uzemljenim površinama kao što su cijevi, centralno grijanje, štednjaci i hladnjaci.** Postoji povećana opasnost od električnog udara ako je vaše tijelo uzemljeno.
- c) **Držite uređaj dalje od kiše ili vlage.** Prodiranje vode u električni uređaj povećava opasnost od električnog udara.
- d) **Priključni kabel ne koristite za nošenje, vješanje ili za izvlačenje utikača iz utičnice.** Držite kabel dalje od izvora topline, ulja, oštih rubova ili pomoćnih dijelova uređaja. Oštećen ili usukan kabel povećava opasnost od električnog udara.
- e) **Ako s električnim uređajem radite na otvorenom, koristite samo produžni kabel odobren za uporabu na otvorenom.** Primjena produžnog kabela prikladnog

- za uporabu na otvorenom smanjuje opasnost od električnog udara.
- f) **Ako se ne može izbjeći uporaba električnog alata u vlažnoj okolini, upotrijebite sigurnosna sklopka za propuštanje u zemlju.** Upotrebom sigurnosne sklopke za propuštanje u zemlju smanjuje se opasnost od električnog udara.
- 3) SIGURNOST LJUDI**
- a) **Budite oprezni, pazite što činite i postupajte razumno kod rada s električnim alatom. Ne koristite uređaj ako ste umorni ili pod utjecajem opojnih sredstava, alkohola ili lijekova.** Trenutak nepažnje kod uporabe uređaja može doći do ozbiljnih ozljeda.
- b) **Nosite sredstva osobne zaštite i uvijek zaštitne naočale.** Nošenje sredstava osobne zaštite, kao što je zaštitna maska, sigurnosne cipele koje ne klize, zaštitne kacige ili štitnika za sluh, ovisno od vrste i primjene električnog alata, smanjuje opasnost od nezgoda.
- c) **Izbjegavajte nehotično puštanje u rad. Prije nego što ćete utaknuti utikač u utičnicu i/ili staviti aku-bateriju, provjerite je li električni alat isključen.** Ako kod nošenja električnog alata imate prst na prekidaču ili se uključeni uređaj priključi na električno napajanje, to može dovesti do nezgoda.
- d) **Prije nego što uređaj uključite, uklonite alate za podešavanje ili vijčane ključeve.** Alat ili ključ koji se nalazi u rotirajućem dijelu uređaja može doći do nezgoda.
- e) **Ne precjenjujte svoje sposobnosti. Zauzmite siguran i stabilan položaj tijela i držite u svakom trenutku ravnotežu.** Na taj način možete uređaj bolje kontrolirati u neočekivanim situacijama.
- f) **Nosite prikladnu odjeću. Ne nosite široku odjeću ili nakit. Kosu i odjeću držite dalje od pomičnih dijelova.** Široku odjeću, dugu kosu ili nakit mogu zahvatiti pomični dijelovi.
- g) **Ako se mogu montirati naprave za usisavanje i hvatanje prašine, provjerite da li su iste priključene i da li se pravilno koriste.** Primjena naprave za usisavanje može smanjiti ugroženost od prašine.
- h) **Nemojte postati previše bezbrižni i zanemariti sigurnosne upute zato što alat često upotrebljavate i smatrate da ste ga dobro poznali.** Samo jedan trenutak nepažnje dovoljan je za nastanak ozbiljnih ozljeda.
- 4) BRIŽLJIVA UPORABA ELEKTRIČNIH ALATA**
- a) **Ne preopterećujte uređaj. Koristite za vaše radove za to predviđen električni alat.** S odgovarajućim električnim alatom radit ćete bolje i sigurnije, u navedenom području učinka.
- b) **Ne koristite električni alat čiji je prekidač neispravan.** Električni alat koji se više ne može uključiti ili isključiti, opasan je i treba se popraviti.
- c) **Alat prije podešavanja, izmjene pribora i odlaganja isključite iz izvora napajanja i/ili izvadite komplet baterije, ako se vadi iz uređaja.** Ovim mjerama opreza izbjeći će se nehotično uključivanje električnog alata.
- d) **Nekoristišene električne alate spremite izvan doseg djece. Ne dopustite da uređaj koriste osobe koje s njim nisu upoznate ili koje nisu pročitale upute za uporabu.** Električni alati su opasni ako ih koriste neiskusne osobe.
- e) **Redovno održavajte električne alate i pribor. Kontrolirajte da li pomični dijelovi uređaja besprijekorno rade i da nisu zaglavljani, te da li su dijelovi polomljeni ili tako oštećeni da negativno djeluju na funkciju uređaja. Popravite oštećene dijelove prije uporabe uređaja.** Mnoge nezgode imaju svoj uzrok u loše održavanim uređajima.
- f) **Rezne alate održavajte oštrim i čistim.** Pažljivo održavani rezni alati s oštrim oštricama neće se zaglaviti i lakši su za vođenje.
- g) **Koristite električne alate, pribor, radne alate, itd., prema navedenim uputama. Pri tome uzmite u obzir radne uvjete i radove koje se izvode.** Uporaba električnih alata za neke druge primjene različite od predviđenih, može doći do opasnih situacija.
- h) **Drške i zahvatne površine održavajte suhima, čistima i pazite da na njih ne dospiju ulje ili mast.** Skliske drške i zahvatne površine onemogućuju sigurno rukovanje i alat se teško kontrolira u neočekivanim situacijama.
- 5) BRIŽLJIVA UPORABA AKUMULATORSKIH UREĐAJA**
- a) **Aku-baterije punite samo s punjačima koje preporučuje proizvođač.** Punjač koji je prikladan za jednu određenu vrstu aku-baterije, postoji opasnost od požara ako bi se koristio s nekom drugom aku-baterijom.
- b) **Koristite isključivo samo aku-baterije koje su za određene električne alate predviđene.** Uporaba neke druge aku-baterije može doći do ozljeda i opasnosti od požara.
- c) **Nekoristišenu aku-bateriju držite dalje od uredskih spajalica, kovanica, ključeva, čavala, vijaka ili drugih sitnih metalnih predmeta koji bi mogli prouzročiti premošćenje, kontakata.** Kratki spoj između kontakata aku-baterije može doći do opekline ili do požara.
- d) **Kod pogrešne primjene aku-baterije tekućina može iz nje isteći. Izbjegavajte dodir s ovom tekućinom. Kod slučajnog dodira s tekućinom, odmah s vodom isprati. Ako bi tekućina dospjela u oči, odmah zatražite liječničku pomoć.** Istekla tekućina može doći do nadražaja kože ili opekline.
- e) **Ne upotrebljavajte oštećene ili izmijenjene kompletne baterija ni alate.** Oštećene ili izmijenjene baterije podložne su nepredvidivom ponašanju i mogu uzrokovati požar, eksploziju ili ozljede.
- f) **Držite alat i komplet baterija dalje od vatre i visokih temperatura.** Izlaganje vatri ili temperaturi višoj od 130°C može uzrokovati eksploziju.
- g) **Poštujte sve upute za punjenje i komplet baterija i alat ne punite pri temperaturama izvan vrijednosti koje su propisane i navedene u uputama.** Nepravilno punjenje ili punjenje pri temperaturama višim od propisanih može oštetiti bateriju i povećati opasnost od požara.
- 6) SERVISIRANJE**
- a) **Popravak uređaja prepustite samo kvalificiranom stručnom osoblju i samo s originalnim rezervnim dijelovima.** Na taj će se način postići održanje stalne sigurnosti uređaja.
- b) **Nikada ne servisirajte oštećene kompletne baterija. Servisiranje kompleta baterija smiju obavljati isključivo proizvođači i ovlašteni serviseri.**

UPUTE ZA SIGURAN RAD S KUTNOM BRUSILICOM

1) ZAJEDNIČKE NAPOMENE UPOZORENJA ZA BRUŠENJE BRUSILICAMA, BRUŠENJE BRUSNIM PAPIROM, RADOVE SA ČELIČNIM ČETKAMA, POLIRANJE I REZANJE BRUSNIM PLOČAMA

- a) Ovaj električni alat treba koristiti kao brusilicu i uređaj za rezanje brušenjem. Pridržavajte se svih naputaka s upozorenjem, uputa, prikaza i podataka koje ste dobili s električnim alatom. Ako se ne bi pridržavali slijedećih uputa, moglo bi doći do električnog udara, požara i/ili teških ozljeda.
- b) **Ne preporučuje se za grubo pjeskarenje, za rad sa žičanim četkama ili za grubo poliranje.** Postupci za koje alat nije namijenjen mogu izazvati opasne situacije i ozljede.
- c) **Ne koristite pribor koji proizvođač nije specijalno predvidio i preporučio za ovaj električni alat.** Samo što ste pribor pričvrstili na vaš električni alat, ne jamči njegovu sigurnu primjenu.
- d) **Dopušteni broj okretaja radnog alata treba biti najmanje toliko velik kao maksimalni broj okretaja naveden na električnom alatu.** Pribor koji bi se vrtio brže nego što je dopušteno, mogao bi se oštetiti.
- e) **Vanjski promjer i debljina radnog alata moraju odgovarati dimenzionalnim podacima vašeg električnog alata.** Pogrešno dimensionirani radni alati ne mogu se dovoljno zaštititi ili kontrolirati.
- f) **Radni alati s navojnim umetkom moraju točno odgovarati navoju brusnog vretena. Za radne alate koji se montiraju pomoću prirubnice, promjer perforacije radnog alata mora odgovarati promjeru stezanja prirubnice.** Radni alati koji se ne pričvršćuju točno na električni alat, okreću se nejednolično, jako vibriraju i mogu dovesti do gubitka kontrole nad električnim alatom.
- g) **Ne koristite oštećene radne alate. Kontrolirajte prije svake primjene radne alate kao što su brusne ploče na odlamanje komadića i na pukotine, brusne tanjure na pukotine, trošenje ili jaku istrošenost, žičane četke na popuštene ili odlomljene žice. Ako bi električni alat ili radni alat pao, provjerite da li je oštećen ili koristite neoštećeni radni alat. Kada radni alat imate pod kontrolom i kada s njim radite, držite ga tako da se druge osobe nađu izvan ravnine rotirajućeg radnog alata, i ostavite da se električni alat jednu minutu vrti s maksimalnim brojem okretaja. Oštećeni radni alati pucaju najčešće u ovo vrijeme ispitivanja.**
- h) **Nosite osobnu zaštitnu opremu. Ovisno od primjene koristite punu zaštitu lica, zaštitu očiju ili zaštitne naočale. Ukoliko je to primjerno, nosite masku za zaštitu od prašine, štitičnik za sluh, zaštitne rukavice ili specijalnu pregaču, koja će vas zaštititi od manjih čestica od brušenja i materijala. Oči treba zaštititi od letećih stranih tijela, koja bi mogla nastati kod različitih primjena. Maska za zaštitu od prašine ili maska za disanje mora kod primjene filtrirati nastalu prašinu. Ako ste dulje vrijeme izloženi glasnoj buci, mogli bi doživjeti oštećenje sluha.**
- i) **Kada se radi o drugim osobama pazite na siguran razmak do vašeg radnog područja. Svatko tko bi stupio u radno područje, mora nositi osobnu**

zaštitnu opremu. Odlomljeni komadići izratka ili radnog alata mogu odletjeti i uzrokovati ozljede i izvan izravnog radnog područja.

- j) **Kada izvodite neku radnju gdje pribor može dotaknuti skriveno ožičenje, pridržavajte električni alat po izoliranim zahvatnim površinama.** Pribor u kontaktu sa žicom pod naponom može izložene metalne dijelove električnog alata također staviti pod napon, zbog čega rukovatelj može doživjeti strujni udar.
 - k) **Mrežni kabel držite dalje od rotirajućih radnih alata.** Ako ste izgubili kontrolu nad električnim alatom, mrežni kabel bi se mogao odrezati ili bi mogao biti zahvaćen, a vaše ruke bi mogao zahvatiti rotirajući radni alat.
 - l) **Električni alat nikada ne odlažite prije nego što se radni alat potpuno zaustavi.** Rotirajući radni alat bi mogao zahvatiti površinu odlaganja, te bi moglo doći do gubitka kontrole nad radnim alatom.
 - m) **Ne dopustite da električni alat radi dok ga nosite.** Kod slučajnog dodira vašu bi odjeću mogao zahvatiti rotirajući radni alat i ozlijediti vas.
 - n) **Redovito čistite otvore za hlađenje vašeg električnog alata.** Ventilator motora uvlači prašinu u kućište, a veće nakupljanje metalne prašine može uzrokovati električne opasnosti.
 - o) **Električni alat ne koristite blizu zapaljivih materijala.** Iskre mogu zapaliti ovaj materijal.
 - p) **Ne koristite radne alate koji zahtijevaju tekuće rashladnih sredstvo.** Primjena vode ili ostalih tekućih rashladnih sredstava može doći do električnog udara.
- ### 2) POVRATNI UDAR I ODGOVARAJUĆE NAPOMENE UPOZORENJA
- Povratni udar je iznenadna reakcija zbog zaglavljenoj ili blokiranog radnog alata u rotaciji, kao što su brusne ploče, brusni tanjuri, žičane četke, itd. Zaglavljivanje ili blokiranje dovodi do naglog zaustavljanja rotirajućeg radnog alata. Zbog toga će se nekontrolirani električni alat ubrzati suprotno smjeru rotacije radnog alata na mjestu blokiranja.
 - Ako bi se npr. brusna ploča zaglavila ili blokirala u izratku, mogao bi se rub brusne ploče koji je zarezao u izradak zahvatiti i time odlomiti brusnu ploču ili uzrokovati povratni udar. Brusna ploča će se u tom slučaju pomaknuti prema osobi koja rukuje ili od nje, ovisno od smjera rotacije brusne ploče na mjestu blokiranja. Kod toga bi se brusne ploče mogle i odlomiti.
 - Povratni udar je posljedica pogrešne ili manjkave uporabe električnog alata. On se može spriječiti prikladnim mjerama opreza, kako je to opisano u daljnjem tekstu.
- a) **Električni alat držite čvrsto i dovedite vaše tijelo i ruke u položaj u kojem možete preuzeti sile povratnog udara. Ukoliko postoji, koristite uvijek dodatnu ručku, kako bi kod rada s uređajem imali najveću moguću kontrolu nad silama povratnog udara ili momentima reakcije.** Osoba koja rukuje uređajem može prikladnim mjerama opreza ovladati silama povratnog udara i silama reakcije.
 - b) **Vaše ruke nikada ne stavljajte blizu rotirajućeg radnog alata.** Radni alat bi se kod povratnog udara mogao pomaknuti preko vaše ruke.
 - c) **Izbjegavajte s vašim tijelom područje u kojem se električni alat pomiče kod povratnog udara.** Povratni udar potiskuje električni alat u smjeru suprotnom od pomicanja brusne ploče na mjestu blokiranja.

- d) **Radite posebno oprezno u području uglova, oštrih rubova, itd. Sprječite da se radni alat odbije natrag od izratka i ukljeste.** Rotirajući radni alat je na uglovima, oštrim rubovima ili kada bi odskočio, sklon uklještenju. To dovodi do gubitka kontrole nad uređajem ili povratnog udara.
- e) **Ne koristite lančani ili nazubljeni list pile.** Takvi radni alati često uzrokuju povratni udar ili gubitak kontrole nad električnim alatom.
- 3) SIGURNOSNA UPOZORENJA SPECIFIČNA ZA BRUŠENJE I ABRAZIVNO REZANJE**
- a) **Koristite isključivo brusna tijela dopuštena za vaš električni alat i štitnik predviđen za ova brusna tijela.** Brusna tijela koja nisu predviđena za električni alat ne mogu se dovoljno zaštititi i nesigurna su.
- b) **Brusne ploče s udubljenim središnjim dijelom moraju se tako montirati da njihova površina brušenja ne nadvisuje ravninu ruba štitnika.** Ne može se zadovoljavajuće zaštititi nestručno montirana brusna ploča koja strši iznad ravnine ruba štitnika.
- c) **Štitnik mora biti sigurno pričvršćen na radnom alatu i mora biti tako namješten da se postigne maksimalna mjera sigurnosti, tj. da najmanji mogući dio brusnog tijela bude okrenut kao otvoreno prema osobi koja rukuje uređajem.** Štitnik treba osobu koja rukuje zaštititi od odlomljenih komadića, slučajnog dodira s brusnim tijelom i iskrenja koje može zapaliti odjeću.
- d) **Brusna tijela smiju se koristiti samo za preporučene vrste primjene.** Npr. nikada ne brusite s bočnom površinom brusne ploče za rezanje. Brusne ploče za rezanje su predviđene za skidanje materijala s rubom ploče. Bočno djelovanje sile na ova brusna tijela može ih odlomiti.
- e) **Koristite uvijek neoštećene stezne prirubnice, odgovarajuće veličine i oblika, za brusne ploče koje ste odabrali.** Prikladne prirubnice štite brusnu ploču i smanjuju opasnost od pucanja brusne ploče. Prirubnice za brusne ploče za rezanje mogu se razlikovati od prirubnica za ostale brusne ploče.
- f) **Ne koristite istrošene brusne ploče sa većih električnih alata.** Brusne ploče za veće električne alate nisu predviđene za veći broj okretaja manjih električnih alata i mogu puknuti.
- 4) OSTALE POSEBNE NAPOMENE UPOZORENJA ZA BRUSNE PLOČE ZA REZANJE**
- a) **Izbjegavajte blokiranje brusne ploče za rezanje ili preveliki pritisak. Ne izvodite prekomjerno duboke rezove.** Preopterećenje brusne ploče za rezanje povećava njihovo naprezanje i sklonost nagibanju u rezu, a time i mogućnost povratnog udara ili loma brusne ploče.
- b) **Izbjegavajte područje ispred i iza rotirajuće brusne ploče za rezanje.** Ako bi brusnu ploču za rezanje pomicali u izratku dalje od sebe, u slučaju povratnog udara električnog alata, rotirajuća ploča bi se mogla izravno odbaciti na vas.
- c) **Ukoliko bi se brusna ploča za rezanje uklještila ili bi vi prekinuli rad, isključite električni alat i držite ga mirno sve dok se brusna ploča ne zaustavi.** Nikada ne pokušavajte brusnu ploču za rezanje koja se još okreće vaditi iz reza, jer inače može doći do povratnog udara. Ustanovite i otklonite uzrok uklještenja
- d) **Nikada ponovno ne uključujte električni alat, sve dok se on nalazi u izratku. Dopustite da brusna**

ploča za rezanje postigne svoj puni broj okretaja, prije nego što oprezno nastavite sa rezanjem. Inače bi se brusna ploča mogla zaglaviti, odskočiti iz izratka ili uzrokovati povratni udar.

- e) **Oslonite ploče ili velike izratke, kako bi se umanjila opasnost od povratnog udara zbog uklještena brusne ploče za rezanje.** Veliki izraci mogu se saviti pod vlastitom težinom. Izradak se mora osloniti na obje strane i to kako blizu reza, tako i na rubu.
- f) **Budite posebno oprezni kod zarezivanja u postojeće zidove ili u neka druga nevidljiva područja.** Brusne ploče za rezanje koje zarezuju, mogle bi kod zarezivanja plinskih ili vodovodnih cijevi, električnih vodova ili nekih drugih objekata uzrokovati povratni udar.

DODATNE UPUTE ZA SIGURAN RAD

OPĆENITO

- Ovaj uređaj nije pogodan za mokro brušenje/rezanje
- Uređaj koristiti samo sa isporučenom prirubnicom
- Uređaj ne bi smjele koristiti osobe mlađe od 16 godina
- **Bateriju uklonite iz alata prije ugađanja ili mijenjanja alata**

PRIBOR

- SKIL može osigurati besprijekoran rad uređaja samo ako se koristi originalni pribor
- Kod primjene proizvoda drugih proizvođača, molimo pridržavati se njihovih uputa za uporabu
- **Upotrebjavajte samo brusne ploče za grubo brušenje/rezanje maksimalne debljine 6 mm i sa središnjom rupom promjera 22 mm**
- Nikada ne koristite redukcijske komade ili adaptere, kako bi se prilagodila brusna ploča s većim otvorom
- Nikada ne koristite brusne ploče sa zatvorenim navojem ispod veličine M14 x 21 mm
- S brusnim pločama za grubo brušenje/rezanje treba oprezno postupati, kako bi se izbjeglo njihovo oštećenje

PRIJE UPORABE

- Prije prve uporaba uređaja preporučuje se zatražiti praktične informacije
- Uvijek ugraditi bočnu ručku E ② štitnik F ②; uređaj nikada ne koristiti bez njih
- **Koristite prikladne uređaje za traženje napona kako bi se pronašli skriveni napojni vodovi ili se savjetuje s lokalnim distributerom** (kontakt s električnim vodovima mogao bi doći do požara i električnog udara; oštećenje plinske cijevi moglo bi dovesti do eksplozije; probijanje vodovodne cijevi uzrokuje materijalne štete ili može uzrokovati električni udar)
- **Ne obrađujte materijal koji sadrži azbest** (azbest se smatra kancerogenim)
- Prašina od materijala kao što su boje koje sadrže olovo, neke vrste drveća, minerali i metal mogu biti opasne (dodir s prašinom ili njeno udisanje mogu prouzročiti alergične reakcije i/ili respiratorna oboljenja rukovatelja ili posmatrača); **nosite masku za zaštitu od prašine i radite s uređajem za ekstrakciju prašine ukoliko ga možete priključiti**
- Određene vrste prašine klasificiraju se kao karcinogenske (kao što su prašina hrastovine i bukovine), osobito u sudejstvu s aditivima za kondicioniranje drveta; **nosite masku za zaštitu od prašine i radite s uređajem za ekstrakciju prašine ukoliko ga možete priključiti**
- Nacionalni uvjeti za materijale s kojima želite raditi

- Kod izrezivanja utora treba se oprezno postupati, osobito u nosivim zidovima (uzdužne rupe u nosivim zidovima su predmet lokalnih propisa kojih se treba strogo pridržavati)
- **Osigurajte izradak** (izradak je sigurnije pričvršćen pomoću stezaljke ili škripa nego da ga držite rukom)
- Ne pritežite uređaj u škripac

TIJEKOM UPORABE

- U slučaju neuobičajenog ponašanja uređaja ili neobičnih šumova, uređaj treba odmah isključiti i izvaditi bateriju
- U slučaju ispada zaštite baterije, ili kad je baterija uklonjena, uređaj se neće sam od sebe ponovno pokrenuti; za ponovno pokretanje uređaja, otključajte prekidač za uključivanje/isključivanje i ponovno uključite uređaj ①

NAKON UPORABE

- Nakon što isključite uređaj, vrtnu rotirajućih dijelova nikad ne zaustavljajte primjenom bočne sile

AKU-BATERIJE

- **Isporučena je baterija djelomično napunjena** (da biste zajamčili potpuni kapacitet baterije, bateriju u potpunosti napunite punjačem prije prve uporabe električnog alata)
- **S ovim alatom rabite samo sljedeće baterije i punjače**
 - Baterija marke SKIL: BR1*31****
 - Punjač marke SKIL: CR1*31****
- Ne rabite bateriju kada je oštećena; treba je zamijeniti
- Ne rastavljajte bateriju
- Ne izlažite kiši alat/bateriju
- Dopuštena okolišna temperatura (uređaj/punjač/baterija):
 - kod punjenja 4...40°C
 - tijekom rada -20...+50°C
 - kod skladištenja -20...+50°C

POJAŠNJENJE SIMBOLA NA UREĐAJU/BATERIJI

- ③ Prije upotrebe pročitajte korisnički priručnik
- ④ Nositi zaštitne naočale i štitnike za sluh
- ⑤ U dodiru s vatrom baterije će eksplodirati, stoga ne spaljujte bateriju iz bilo kojih razloga
- ⑥ Uređaj/punjač/bateriju spremajte uvijek kod temperatura prostorije nižih od 50°C
- ⑦ Ne bacajte električne alate i baterij u kućni otpad

POSLUŽIVANJE

- Punjenje aku-baterije
 - ! **pročitajte sigurnosna upozorenja i upute isporučene s punjačem**
- Uklanjanje/ugradnja baterije ②
- Pokazivač stanja napunjenosti baterije ⑧
 - pritisnite gumb pokazivača razine napunjenosti baterije L radi prikaza aktualne razine napunjenosti baterije ⑧a
 - ! **kada najniža razina baterije započne bljeskati nakon pritiska gumba L ⑧b, baterija je prazna**
 - ! **kada 2 razine pokazivača baterije započne bljeskati nakon pritiska gumba L ⑧c, baterija nije unutar dopuštenog radnog temperaturnog raspona**
- Zaštita baterije
 - Uređaj se iznenadno isključuje ili ne može uključiti, kada je
 - **opterećenje previsoko** --> uklonite opterećenje i ponovno pokrenite
 - **temperatura baterije nije unutar dopuštenog radnog temperaturnog raspona od -20 do +50 °C**

--> 2 razine pokazivača razine baterije počinju bljeskati pri pritiskanju gumba L ⑧c; pričekaite dok se baterija ne vrati unutar dopuštenog radnog temperaturnog raspona

- **baterija je gotovo prazna (za zaštitu od potpunog pražnjenja)** --> niska razina baterije ili bljeskajuća niska razina baterije ⑧b pokazuje se putem pokazivača stanja napunjenosti baterije pri pritiskanju gumba L; napunite bateriju

! **nemojte dalje pritiskati prekidač za uključivanje/isključivanje nakon što se alat automatski isključi; time možete oštetiti bateriju**

- Montirajte/skinite brusnu ploču ②
 - ! **bateriju uklonite iz alata**
 - očistite vreteno A i sve montirane dijelove
 - steznu maticu B stegnuti račvastim ključem C, uz pritisak na gumb za aretiranje vretena D
 - ! **pritisnite gumb za aretiranje vretena D samo kada je vreteno A u mirovanju**
 - kod skidanja pribora postupiti obrnutim redoslijedom
 - ! **brusne ploče za grubo brušenje/rezanje se tijekom uporabe jako zagriju; ne dirati ih nego ih ostaviti da se ohlade**
 - ! **brusnu ploču za grubo brušenje/rezanje nikada ne koristiti bez štitnika (ukoliko postoji)**
- Montiranje pomoćne ručka E ⑨
 - ! **bateriju uklonite iz alata**
 - zavijte pomoćnu ručicu E na desnu ili lijevu stranu alata ili na vrh (ovisno o poslu koji ćete obavljati)
- Skidanje/montiranje/namještanje sigurnosnog štitnika F ⑩
 - ! **bateriju uklonite iz alata**
 - ! **osigurati da zatvorena strana štitnika bude uvijek okrenuta prema osobi koja radi s uređajem**
 - ako je potrebno, zatezanjem vijkom G, koji je podešen tvornički, učvrstite štitičnik F (**provjerite je li štitičnik zatvoren**)
- Prije uporabe vašeg uređaja
 - osigurajte da pribora bude ispravno montirana i čvrsto stegnuta
 - rukom provjeriti slobodnu rotaciju pribora
 - provesti probni rad, tako da pribora može najmanje 60 sekundi rotirati s najvećom brzinom
 - kod većih vibracija ili drugih neispravnosti, uređaj odmah isključiti i pronaći moguće uzroke
- Prekidač za aretiranje uključivanja/isključivanja J ⑪
 - uređaj uključiti ⑪a
 - ! **treba paziti na iznenadni trzaj kod uključivanja uređaja**
 - ! **prije nego što pribora zareže izradak, treba se postići max. broj okretaja**
 - prekidač aretirati ⑪b
 - osloboditi aretiranje/uređaj isključiti ⑪c
 - ! **prije isključivanja alata, isti se treba skinuti sa izratka**
 - ! **nakon isključivanja alata pribora se još uvijek okreće nekoliko sekundi**
- Rezanje ⑫
 - uređaj umjerenim pritiskom pomicati naprijed i natrag
 - ! **brusna ploča za rezanje ne smije se koristiti za bočno brušenje**
- Grubo brušenje ⑬
 - uređaj ne nagibati

- uređaj uvijek voditi u istom smjeru, kako prikazuje strelica na glavi uređaja, kako bi se spriječilo da se uređaj na nekontroliran način istisne iz područja zahvata
 - na uređaj ne djelovati prevelikim pritiskom; pustiti da brzina brusne ploče sama napravi posao
 - radni broj okretaja ploče za rezanje ovisi od rezanog materijala
 - ploču za rezanje ne kočiti bočnim pritiskom
 - Držanje i vođenje uređaja
 - uređaj čvrsto držite s obje ruke, kako bi ga uvijek imali pod kontrolom
- ! alat kod primjene, držati samo na sivo označenim područjima** ⁽¹⁴⁾
- paziti na siguran i stabilan položaj tijela
 - paziti na smjer rotacije; uređaj uvijek tako držati da iskenje i prašina od brušenja leti dalje tijela
 - otvore za strujanje zraka K ⁽²⁾ držite nepokriveno
- Postavljanje/uklanjanje ključa C ⁽¹⁵⁾
 - primjenjivo samo kada alat ima pomoćnu ručicu i ugrađeni dio za čuvanje ključa

SAVJETI ZA PRIMJENU

- Više informacija navedeno je na mrežnom mjestu www.skil.com

ODRŽAVANJE / SERVISIRANJE

- Ovaj uređaj nije namijenjen profesionalnoj upotrebi
 - Uvijek držite alat čistim (osobito otvore za provjetranje K ⁽²⁾)
- ! bateriju uklonite iz alata prije čišćenja**
- Ako bi uređaj unatoč brižljivih postupaka izrade i ispitivanja ipak prestao raditi, popravak treba prepustiti ovlaštenom servisu za SKIL električne alate
 - uređaj treba **nerastavljeno** predati, zajedno s računom o kupnji u najbližu SKIL ugovornu servisnu radionicu (popise servisa, kao i oznake rezervnih dijelova uređaja možete naći na adresi www.skil.com)
 - Imajte na umu kako jamstvo ne obuhvaća štete nastale zbog preopterećenja ili nepravilnog rukovanja alatom (za uvjete iz SKIL jamstva, posjetite www.skil.com ili upitajte svog prodavača)

ZAŠTITA OKOLIŠA

- **Električne alate, baterij, pribor i ambalažu ne bacajte u kućni otpad** (samo za EU-države)
 - prema Europskoj direktivi 2012/19/EG o staroj električnoj i elektroničkoj opremi i njenoj primjeni u skladu sa nacionalnim zakonom, istrošeni električni alati moraju se sakupljati odvojeno i odvesti u posebne pogone za reciklažu
 - na to podsjeća simbol ⁽⁷⁾ kada se javi potreba za odlaganjem
- ! prije nego što aku-bateriju zbrinete u otpad, zaštitite njene polove**

BUKA / VIBRACIJA

- **3920**
Mjerene u skladu s normom EN 60745, razina zvučnog tlaka ovoga alata je 80,5 dB(A), razina zvučne

snage 91,5 dB(A) (nesigurnost K = 3 dB), a vibracija pri brušenju površine 5,5 m/s² (troaksijalna vektorska suma; nesigurnost K = 1,5 m/s²)

! ostale primjene (kao rezanje) mogu imati drugačije vrijednosti vibracija

- **3921**
Mjerene u skladu s normom EN 60745, razina zvučnog tlaka ovoga alata je 80,0 dB(A), razina zvučne snage 91,0 dB(A) (nesigurnost K = 3 dB), a vibracija pri brušenju površine 4,3 m/s² (troaksijalna vektorska suma; nesigurnost K = 1,5 m/s²)
- ! ostale primjene (kao rezanje) mogu imati drugačije vrijednosti vibracija**
- Razina emitiranja vibracija izmjerena je sukladno normiranom testu danom u EN 60745; ona se može koristiti za usporedbu jedne alatke s drugom, te preliminarnu procjenu izloženosti vibracijama pri uporabi alatke za navedene namjene
 - uporaba ove alatke za druge namjene ili s drugim ili slabo održanim nastavcima, može u značajnoj mjeri **uvećati** razinu izloženosti
 - vrijeme tokom kojega je alatka isključena, ili je uključena ali se njome ne radi, može značajno **umanjiti** razinu izloženosti
- ! zaštitite se od posljedica vibracija održavanjem alatke i njezinih nastavaka, održavanjem Vaših ruku toplima, te organiziranjem Vaših obrazaca rada**



Bežična ugaona brusilica 3920/3921 UPUTSTVO

- Ovaj alat je namenjen za **blago** brušenje i sečenje materijala od metala i kamena, bez upotrebe vode
- Ovaj alat nije namenjen za profesionalnu upotrebu
- **Nemojte da pritisakate električni alat; pustite da disk za sečenje sâm radi**
- **Operacije rezanja pomoću abrazivnih diskova za rezanje dozvoljene su samo kada se koristi štitnik za rezanje (može se nabaviti kao opcioni SKIL dodatak 2610S00253 (3920) / 2610S00275 (3921))**
- Pažljivo pročitajte i sačuvajte ova uputstva za rukovanje ⁽³⁾

TEHNIČKI PODACI ⁽¹⁾

ELEMENTI ALATA ⁽²⁾

- A** Vreteno
- B** Spone štitnik
- C** Ključ
- D** Dugme za zaključavanje vretana
- E** Pomoćna ručica
- F** Štitnik
- G** Šraf štitnika
- H** Podloška štitnik
- J** Prekidač za zaključavanje za uključivanje/isključivanje
- K** Prorezi za hlađenje
- L** Indikator kapaciteta baterije
- M** Poluga za zaštitni mehanizam

SIGURNOST

OPŠTA SIGURNOSNA UPOZORENJA ZA ELEKTRIČNI ALAT

⚠ UPOZORENJE Pročitajte sva bezbednosna upozorenja, uputstva, ilustracije i specifikacije priložene uz ovaj električni alat. Ukoliko se ne slede sva uputstva navedena u nastavku može doći do strujnog udara, požara i/ili ozbiljne povrede.

Sačuvajte sva upozorenja i uputstva za buduću upotrebu.

Pojam upotrebljen u upozorenjima "električni alat" odnosi se na električne alate sa radom na mreži (sa mrežnim kablom) i na električne alate sa radom na akumulator (bez mrežnog kabla).

1) SIGURNOST NA RADNOM MESTU

- a) **Držite Vaše područje rada čisto i pospremljeno.** Nered ili neosvetljena radna područja mogu voditi nesrećama.
- b) **Ne koristite električni alat tamo gde postoji opasnost od eksplozije kao npr. u prisustvu zapaljivih tečnosti, gasova ili prašine.** Električni alati proizvode varnice, koje mogu zapaliti prašinu ili isparenja.
- c) **Za vreme korišćenja električnog alata držite podalje decu i druge osobe.** Kod skretanja možete izgubiti kontrolu nad alatom.

2) ELEKTRIČNA SIGURNOST

- a) **Utikač električnog alata mora odgovarati utičnici.** Nikada nemojte modifikovati utikač. Ne upotrebljavajte adaptere utikača sa uzemljenim električnim alatom. Nemodifikovani utikači i odgovarajuće utičnice smanjuju rizik od električnog udara.
- b) **Izbegavajte telesni kontakt sa uzemljenim gornjim površinama, kao što su cevi, grejanja, šporeti i rashladni ormani.** Postoji povećani rizik od električnog udara, ako je Vaše telo uzemljeno.
- c) **Ne izlažite električni alat kiši ili vlažnim uslovima.** Prodor vode u električni alat povećava rizik od električnog udara.
- d) **Ne zloupotrebljavajte kabl.** Nikada nemojte koristiti kabl za nošenje i vučenje električnog alata ili za izvlačenje iz utičnice. Držite kabl dalje od vreline, ulja, oštirih ivica ili pokretnih delova. Oštećeni ili umršeni kablovi povećavaju rizik električnog udara.
- e) **Ako sa nekim električnim alatom radite u prirodi, upotrebljavajte samo produžne kablove koji su dozvoljeni za spoljno područje.** Upotreba produžnog kabla pogodnog za spoljno područje smanjuje rizik od električnog udara.
- f) **Ako rad električnog alata ne može da se izbegne u vlažnoj okolini, koristite prekidač strujne zaštite pri kvaru.** Upotreba prekidača strujne zaštite pri kvaru smanjuje rizik od električnog udara.

3) SIGURNOST OSOBA

- a) **Budite oprezni, pazite na to šta radite i razumno rukujte Vašim električnim alatom.** Ne koristite električni alat dok ste umorni ili pod uticajem narkotika, alkohola ili lekova. Momenat nepažnje kod upotrebe električnog alata može rezultirati ozbiljnim povredama.

- b) **Nosite ličnu zaštitnu opremu i uvek zaštitne naočare.** Nošenje lične zaštitne opreme, kao maske za prašinu, sigurnosne cipele koje ne klizaju, zaštitni šlem ili zaštitu za sluh, zavisno od vrste i upotrebe električnog alata, smanjujete rizik od povreda.
 - c) **Sprečite nenamerno puštanje u rad. Pre priključivanja na struju i/ili na akumulatorsku bateriju, podizanja ili nošenja alata uverite se da je prekidač isključen.** Nošenje električnog alata sa prstom na prekidaču ili priključivanje na struju uključenog električnog alata vodi do nesreće.
 - d) **Uklonite bilo kakve ključeve za podešavanje ili ključeve za zavrtnjeve, pre nego što uključite električni alat.** Ostavljanje ključa za zavrtnjeve ili ključa prikačene na rotirajući deo električnog alata može rezultirati ličnom povredom.
 - e) **Ne zauzimajte neadekvatan položaj. Sve vreme držite ravnotežu i pravilan položaj nogu.** Ovo omogućava bolje upravljanje električnim alatom u neočekivanim situacijama.
 - f) **Nosite pogodno odelo. Ne nosite široko odelo ili nakit. Držite kosu i odeću dalje od pokretnih delova.** Opušteno odelo, nakit ili duža kosa mogu biti zahvaćeni od rotirajućih delova.
 - g) **Ako se mogu montirati uredjaji za usisavanje prašine i uredjaji za hvatanje prašine, uverite se da li su priključeni i ispravno koriste.** Upotreba usisavanja prašine može smanjiti opasnosti od prašine.
 - h) **Ne dozvolite da pouzdanje koje ste stekli čestim upotrebom alata utiče na to da postanete neoprezni i da zanemarite sigurnosne principe za upotrebu alata.** Neoprezno delovanje može prouzrokovati teške povrede u deliću sekunde.
- #### 4) BRIŽLJIVO OPHODNENJE I KORIŠĆENJE ELEKTRIČNIH ALATA
- a) **Ne preopterećujte električni alat. Koristite električni alat koji odgovara Vašoj primeni.** Sa odgovarajućim električnim alatom radite bolje i sigurnije tempom za koji je projektovan.
 - b) **Ne upotrebljavajte električni alat, čiji je prekidač u kvaru.** Električni alat koji više ne može da se uključi ili isključuje je opasan i mora da se popravi.
 - c) **Izvučite utikač iz utičnice i/ili izvadite akumulatorsku bateriju, ukoliko je to moguće, iz električnog alata pre nego što izvršite bilo kakva podešavanja, promenu pribora ili pre nego što uskladištite električni alat.** Takve preventivne sigurnosne mere smanjuju rizik od slučajnog pokretanja električnog alata.
 - d) **Čuvajte električne alate koje ne koristite izvan domašaja dece i ne dozvoljavajte osobama, koje nisu upoznate sa ovim električnim alatom ili sa ovim uputstvima, da rukuju električnim alatom.** U rukama neobučenih korisnika električni alati postaju opasni.
 - e) **Održavajte električni alat i pribore. Proverite da li su pokretni delovi u ravni i da li negde zapinju, da nije došlo do lomljenja delova i svako drugo stanje koje može uticati na rad električnog alata. Ukoliko je oštećen, odnesite električni alat na popravku pre korišćenja.** Mnoge nesreće su prouzrokovane lošim održavanjem električnih alata.
 - f) **Držite alate za sečenje oštre i čiste.** Brižljivo negovani alati za sečenje sa oštirim sečivima manje slepljuju i lakše se vode.

g) **Upotrebljavajte električne alate, pribor, alate koji se umeću itd. prema ovim uputstvima. Obratite pažnju pritom na uputstva za rad i posao koji treba izvesti.** Upotreba električnih alata za druge od propisanih namena može voditi opasnim situacijama.

h) **Održavajte drške i prihvatne površine suvim, čistim i bez ostataka ulja ili masnoće.** Klizave drške ili prihvatne površine ne omogućavaju bezbedno rukovanje i upravljanje alatom u neočekivanim situacijama.

5) **BRIŽLJIVO OPHODJENJE I KORIŠĆENJE APARATA SA AKUMULATOROM**

a) **Punite akumulator samo u aparatima za punjenje koje propisuje proizvođač.** Za aparat za punjenje koji je pogodan za određenu vrstu akumulatora, postoji opasnost od požara, ako se upotrebljava sa drugim akumulatorom.

b) **Upotrebljavajte samo za to predviđene akumulatore u električnim alatima.** Upotreba drugih akumulatora može voditi povredama i opasnosti od požara.

c) **Držite ne korišćen akumulator podalje od kancelarijskih spajalica, novčića, ključeva, ekspera, zavrtnja ili drugih malih metalnih predmeta koji mogu prouzrokovati premošćavanje kontakata.** Kratak spoj između kontakata akumulatora može imati za posledicu zagorevanje ili vatru.

d) **Kod pogrešne primene može izaći tečnost iz akumulatora; izbegavajte kontakt sa njom. Kod slučajnog kontakta isperite sa vodom. Ako tečnost dodje u dodir sa očima, potražite i lekarsku pomoć dodatno.** Tečnost akumulatora koja može izaći napolje može voditi nadražajima kože ili opekotinama.

e) **Ne koristite akumulatorsku bateriju ili alat koji je oštećen ili modifikovan.** Oštećeni ili modifikovani akumulatori se mogu ponašati nepredviđeno što može rezultirati požarom, eksplozijom ili povredom.

f) **Ne izlažite akumulatorsku bateriju ili alat vatri ili visokim temperaturama.** Izlaganje vatri ili temperaturama iznad 130°C može prouzrokovati eksploziju.

g) **Pridržavajte se svih uputstava u vezi sa punjenjem i ne punite akumulatorsku bateriju ili alat izvan temperaturnog opsega naznačenog u uputstvima.** Nepropisno punjenje ili punjenje na temperaturama izvan naznačenog opsega može oštetiti akumulator i povećati rizik od požara.

6) **SERVISIRANJE**

a) **Vaš električni alat dajte na servisiranje samo kvalifikovanom licu za popravku, koristeći pritom samo identične rezervne delove.** Ovo će osigurati očuvanje bezbednosti električnog alata.

b) **Nikada ne servisirajte oštećene akumulatorske baterije.** Servisiranje akumulatorskih baterija treba da vrši isključivo proizvođač ili ovlašćeni serviseri.

UPUTSTVA ZA BEZBEDAN RAD SA UGAONOM BRUSILICOM

1) **ZAJEDNIČKO UPUTSTVO SA UPOZORENJEM ZA BRUŠENJE, BRUŠENJE BRUSNIM PAPIROM, RADOVE SA ČELIČNIM ČETKAMA, POLIRANJE I BRUŠENJE SA PRESECANJEM**

a) **Ovaj električni pribor se može upotrebiti kao brusilica i mašina za brušenje sa presecanjem. Obratite pažnju na sva upozorenja, uputstva, prikaze**

i podatke, koje dobijate sa električnim priborom. Ako ne obraćate pažnju na sledeća uputstva, može doći do električnog udara, požara i / ili teških povreda.

b) **Ovaj električni uređaj se ne preporučuje za šmirglanje, žičano četkanje ili poliranje.** Postupci za koje električni uređaj nije predviđen mogu da prouzrokuju opasnost i povredu.

c) **Ne upotrebljavajte pribor koji od proizvođača nije specijalno predviđen i preporučen za ovaj električni pribor.** Samo zato što možete pribor pričvrstiti na Vašem električnom priboru ne garantuje sigurnu upotrebu.

d) **Dozvoljeni broj obrtaja upotrebljenog pribora mora najmanje da bude velik, koliko i navedeni najveći obrtaji na električnom priboru.** Pribor koji se okreće brže od dozvoljenog, može se uništiti.

e) **Spoljni presek i debljina upotrebljenog pribora moraju odgovarati mernim podacima Vašeg električnog pribora.** Pogrešno izmeren upotrebljeni pribor ne može se dovoljno zaštititi ili kontrolisati.

f) **Upotrebljeni alati sa navojem moraju tačno odgovarati navoju brusnog vretena.** Kod upotrebljenih alata, koji se montiraju pomoću prirubnice, mora presek otvora upotrebljenog alata da odgovara preseku prihvaća na prirubnici. Upotrebljeni alati koji se ne pričvršćuju tačno na električnom alatu, se okreću neravnomerno, vibriraju veoma jako i mogu uticati na gubitak kontrole.

g) **Ne koristite oštećene upotrebljene pribore. Pre svakog korišćenja prokontrolišite upotrebljene pribore da li su zacepljeni i naprslji, brusni diskovi naprslji, izlizani ili jako pohabani, žičane četke da li imaju slobodnih ili polomljenih žica. Ako električni pribor ili upotrebljeni pribor padne dole, prokontrolišite da li je oštećen ili upotrebljavajte neoštećen pribor. Ako ste uzeti pribor prokontrolisali i upotrebili, držite se kao i osobe koje se nalaze u blizini izvan ravni upotrebljenog pribora koji se okreće i pustite električni pribor da jedan minut radi sa najvećim obrtajima.** Oštećeni upotrebljeni pribori uglavnom se u ovom vremenu probe lome.

h) **Nosite ličnu zaštitnu opremu. Koristite zavisno od namene zaštitu za celo lice, zaštitu za oči ili zaštitne naočare. Ako odgovara nosite masku za prašinu, zaštitu za sluh, zaštitne cipele ili specijalnu kecelju, koja će male čestice od brušenja i materijala držati dalje od Vas. Oči moraju biti zaštićene od stranih tela koja lete oko, koja nastaju kod raznih upotreba. Maska za prašinu i maska za disanje moraju filtrirati prašinu koja nastaje prilikom upotrebe. Ako ste izloženi dugoj galami, možete izgubiti sluh.**

i) **Pažite kod drugih osoba na sigurno rastojanje do Vašeg radnog područja. Svako, ko udje u radno područje, mora nositi ličnu zaštitnu opremu.** Polomljeni delovi radnog komada ili polomljeni upotrebljeni pribori mogu leteti i prouzrokovati povrede i izvan direktnog radnog područja.

j) **Držite električni alat samo za izolovane površine, kada izvodite radove prilikom kojih alat i njegovi delovi mogu da dođu u kontakt sa električnim vodovima.** Pribor za sečenje koji dođe u kontakt sa vodom koji provodi napon stavlja i metalne delove električnog alata pod napon, usled čega rukovalac može doživeti električni udar.

- k) **Držite podalje mrežni kabl od rotirajućeg upotrebljenog pribora.** Ako izgubite kontrolu nad električnim priborom, može se preseći mrežni kabl ili može da zahvati i Vaša ruku ili Vaša šaka dospeti u električni pribor koji se okreće.
- l) **Ne ostavljajte nikada električni pribor pre nego se upotrebljeni pribor potpuno umiri.** Električni pribor koji se okreće može doći u kontakt sa površinom za odlaganje, usled čega se može izgubiti kontrola nad električnim priborom.
- m) **Ne ostavljajte električni pribor da radi, dok ga nosite.** Vaše odelo može biti zahvaćeno slučajnim kontaktom sa električnim priborom koji se okreće i upotreljeni pribor može se zabiti u Vaše telo.
- n) **Čistite redovno proreze za ventilaciju Vašeg električnog pribora.** Motorna duvaljka vuče prašinu u kućište i veće sakupljanje metalne prašine može prouzrokovati električnu opasnost.
- o) **Ne upotrebljavajte električni pribor u blizini zapaljivih materijala.** Varnice mogu zapaliti ove materijale.
- p) **Ne koristite upotrebljene pribore koji zahtevaju tečna rashladna sredstva.** Upotreba vode ili drugih tečnih rashladnih sredstava može voditi električnom udaru.
- 2) POVRATNI UDARAC I ODGOVARAJUĆA UPOZORENJA**
- Povratni udarac je iznenadna reakcija usled rotirajućeg upotrebljenog pribora koji zapinje ili blokira, kao brusna ploča, brusni disk, žičana četka itd. Zakaćinjanje ili blokiranje vode do zaustavljanja sa trzajem rotirajućeg električnog pribora. Na taj način se nekontrolisani električni pribor ubrzava u pravcu smeru okretanja električnog pribora na mestu blokade.
 - Ako naprimer neka brusna ploča zapinje ili blokira u radnom komadu, može se iverica brusne ploče koja uranja u radni komad uvrnuti i usled toga brusna ploče prouzrokovati lomljenje ili povratni udarac. Brusna ploča se onda kreće na osobu koja radi ili od nje, zavisno od smeru okretanja ploče na mestu blokiranja. Pritom se brusne ploče mogu i slomiti.
 - Povratni udarac je posledica pogrešne ili manjkave upotrebe električnog pribora. On se može sprečiti pogodnim merama opreza, kao što je dalje opisano.
- a) **Držite čvrsto električni pribor i dovedite Vaše telo i Vaše ruke u poziciju, u kojoj možete prihvatiti sile povratnog udarca.** Upotrebljavajte uvek dodatnu dršku, ako postoji, da bi imali što više moguću kontrolu nad silama povratnog udarca ili nad reakcionim momentom u visokim obrtajima. Radnik može savladati pogodnim merama opreza sile povratnog udarca i reakcije.
- b) **Ne gurajte nikada Vašu ruku u blizinu rotirajućeg upotrebljenog pribora.** Upotrebljeni pribor se može kod povratnog udarca kretati preko Vaše ruke.
- c) **Izbegavajte sa Vašim telom područje, u koje bi se kod povratnog udarca električni pribor kretao.** Povratni udarac tera električni pribor u pravcu suprotnom od kretanja brusne ploče na blokiranoj strani.
- d) **Radite posebno oprezno u području uglova, oštirih ivica itd. Sprečite da se upotreljeni pribori odbiju od radnog komada i „slepe“.** Rotirajući upotrebljeni pribor naginje kod uglova, oštirih ivica ili ako se odbije, tome, da „slepljuje“. Ovo prouzrokuje gubitak kontrole ili povratni udarac.
- e) **Ne koristite lančani ili nazubljeni list testere.** Takvi upotrebljeni pribori prouzrokuju često povratni udarac ili gubitak kontrole nad električnim priborom.
- 3) POSEBNA UPOZORENJA SPECIFIČNA ZA BRUŠENJE I ABRAZIVNO SEĆENJE**
- a) **Isključivo koristite električni pribor dozvoljen za Vaš električni pribor i zaštitnu haubu predviđenu za ovaj brusni pribor.** Brusni pribori koji nisu predviđeni kao električni pribor, ne mogu se dovoljno zaštititi i nesigurni su.
- b) **Brusne ploče sa udubljenim centralnim delom se moraju tako montirati da njihova površina brušenja ne strši iznad ravni ivice zaštitne kape.** Ne može se propisno zaštititi nestručno montirana brusna ploča koja strši iznad ravni ivice zaštitne kape.
- c) **Zaštitna hauba mora biti sigurno nameštena na električnom priboru i tako podešena, da se postiže najveća sigurnost, odnosno da se najmanji mogući deo od brusnog pribora pokazuje prema radniku.** Zaštitna hauba treba radnika da zaštiti od otkinutih komada, slučajnog kontakta sa materijalom za brušenje i varnicama koje bi mogle zapaliti odelu.
- d) **Brusni pribori se smeju upotrebiti samo za preporučene upotrebne mogućnosti.** Naprimer: Ne brusite nikada sa bočnom površinom neke ploče za presecanje. Ploče za presecanje su određene za skidanje materijala sa ivicom ploče. Bočno delovanje sile na ove materijale za brušenje može ih slomiti.
- e) **Koristite uvek neoštećenu zateznu prirubnicu prave veličine i oblika za Vašu izabranu brusnu ploču.** Pogodne prirubnice čuvaju brusnu ploču i smanjuju opasnost lomova brusne ploče. Prirubnica za ploče za presecanje može se raslikovati od prirubnice za druge brusne ploče.
- f) **Ne koristite istrošene brusne ploče većih električnih pribora.** Brusne ploče za veće električne pribore nisu konstruisane za veće obrtaje manjih električnih pribora i mogu se slomiti.
- 4) DALJA POSEBNA UPOZORENJA ZA PLOČE ZA PRESECANJE**
- a) **Izbegavajte blokiranje ploče za presecanje ili suviše veliki pritisak. Ne izvodite preterano duboka sećenja.** Preopterećenje ploče za presecanje povećava njeno opterećenje i učestalost da se oskreće ili blokira i tako i mogućnost povratnog udarca ili lomljenja brusnog pribora.
- b) **Izbegavajte područje ispred i iza rotirajuće ploče za rasecanje.** Ako ploču za presecanje pokrećete u radnom komadu od sebe, može se u slučaju povratnog udarca električni pribor sa rotirajućom pločom direktno odbiti nazad.
- c) **Ako se ploča za presecanje zaglavi ili Vi prekidate rad, isključite električni pribor i držite ga mirno, sve dok se ploča ne umiri. Ne pokušavajte nikada da ploču za presecanje koja se okreće izvučete iz reza, jer može uslediti povratni udarac.** Pronadjite i sprečite uzrok zaglavlivanja.
- d) **Ne uključujte električni pribor ponovo dokle god se nalazi u radnom komadu. Pustite da ploča za presecanje postigne svoje pune obrtaje, pre nego što oprezno nastavite dalje sećenje.** U drugom slučaju može ploča zakačiti, iskočiti iz radnog komada ili prouzrokovati povratni udarac.

- e) **Učvrstite ploče ili velike radne komade da bi smanjili rizik povratnog udara usled zaglavljene ploče za presecanje.** Veliki radni komadu mogu se izvijati pod svojom sopstvenom težinom. Radni komad se mora podupreti na obe strane, kako u blizini presecanja tako i na ivici.
- f) **Budite posebno oprezni kod „džepnih preseka“ u postojećim zidovima ili drugim nevidljivih područjima.** Uranjajuća ploča za presecanje može kod sečenja gasovoda ili vodova vode, električnih vodova ili drugih objekata prouzrokovati povratni udarac.

DODATNA UPUTSTVA O SIGURNOSTI

OPŠTA

- Ovaj alat nije podesan za makro brušenje i sečenje
- Koristite samo obode koje ste dobili uz ovaj alat
- Ovaj alat ne treba da koriste osobe ispod 16 godina
- **Uklonite bateriju iz alata pre svakog podešavanja ili promene pribora**

PRIBOR

- SKIL može priznati garanciju samo ukoliko je korišćen originalni pribor
- Za postavljanje i korišćenje pribora koji nisu SKIL, pogledajte uputstva proizvođača
- **Koristite samo diskove za brušenje ili sečenje maksimalne debljine 6 mm čiji je otvor za vreteno prečnika 22 mm**
- Nemojte da koristite reduktore ili adaptere da biste stavili diskove za brušenje ili sečenje sa prevelikom otvorom
- Nikada ne koristite pribor sa otvorom sa "slepim" navojem manjim od M14 x 21 mm
- Pažljivo rukujte sa diskovima za brušenje/sečenje i čuvajte ih kako biste izbegli oštećenja

PRE UPOTREBE

- Pre prvog korišćenja električnog alata, preporučuje se da dobijete praktične informacije
- Obavezno postavite pomoćnu ručicu E ② i štitnika F ②; alat nemojte nikada da koristite bez njih
- **Koristite odgovarajuće aparate za proveru dali se u zidu koji bušimo nalaze skrivene instalacije, ili za taj posao nadite odgovarajuće preduzeće** (kontakt sa električnim vodovima može izazvati požar ili električni udar; oštećenje gasovoda može izazvati eksploziju; probijanje cevi sa vodom uzrokuje štete ili može izazvati električni udar)
- **Ne obrađujte nikakav materijal koji sadrži azbest** (azbest važi kao izazivač raka)
- Prašina od materijala, kao što su boja koja sadrži olovo, neke vrste drveta, minerali i metal, može biti opasna (dodir ili udisanje prašine može prouzrokovati alergijske reakcije i/ili respiratorna oboljenja rukovaoca i lica u blizini); **nosite masku protiv prašine i radite uz uključeni uređaj za ekstrakciju prašine kada radite na mestima gde ju je moguće priključiti**
- Određene vrste prašine su klasifikovane kao kancerogene (kao što su prašina hrastovine i bukovine), posebno u sadejstvu sa aditivima za pripremu drveta; **nosite masku protiv prašine i radite uz uključeni uređaj za ekstrakciju prašine kada radite na mestima gde ju je moguće priključiti**
- Prati nacionalne propise vezane za prašinu koja se proizvodi prilikom rada na obrađivanim materijalima
- Budite pažljivi pri brušenju utora, naročito na nosećim zidovima (utori na nosećim zidovima su u skladu sa propisima određenih država; ovi propisi obavezno moraju da se pregledaju i zato se)

- **Obezbedite radni predmet** (radni predmet stegnut pomoću stega ili nečeg sličnog je mnogo stabilniji nego kada se drži rukom)
- Nemojte da pričvršćujete alat u stegu

TOKOM UPOTREBE

- U slučaju da dođe do električnog ili mehaničkog kvara, odmah isključite alat i uklonite bateriju
- Ako se preseče štitnik za bateriju, ili kada se baterija ukloni, alat se neće restartovati sam, za restartovanje alata otključajte prekidač za uključivanje/isključivanje i ponovo uključite alat ①

NAKON UPOTREBE

- Nakon isključivanja električnog alata, nikada nemojte da zaustavljate obrtanje pribora primenom bočne sile

BATERIJA

- **Baterija se isporučuje delimično napunjena** (da biste obezbedili pun kapacitet baterije, bateriju napunite do kraja u punjaču baterije pre prvog korišćenja električnog alata)
- **Koristite samo sledeće baterije i punjače sa ovim alatom**
 - SKIL baterija: BR1*31****
 - SKIL punjač: CR1*31****
- Nemojte koristiti oštećenu bateriju; treba je zameniti
- Nemojte da rastavljate bateriju
- Nemojte izlagati alat/bateriju kiši
- Dozvoljena ambijentalna temperatura (alat/punjač/ bateriju):
 - prilikom punjenja 4...40°C
 - prilikom režima rada -20...+50°C
 - prilikom skladištenja -20...+50°C

OBJAŠNJENJE SIMBOLA NA ALATU/BATERIJA

- ③ Pročitajte uputstvo za korišćenje pre prve upotrebe
- ④ Nosite zaštitne naočari i zaštitu za sluh
- ⑤ Baterije će eksplozivirati ako se izlože vatri, zato nikada ne palite baterije
- ⑥ Odlazite alat/punjač/bateriju na msetima gde temperatura neće preći 50°C
- ⑦ Ne odlazite električne alate i baterije u kućne otpatke

UPUTSTVO ZA KORIŠĆENJE

- Punjenje baterije
! pročitajte bezbednosna upozorenja i uputstva priložene uz punjač
- Uklanjanje/postavljanje baterije ②
- Indikator kapaciteta baterije ⑧
 - pritisnite dugme indikatora baterije L za prikaz trenutnog nivoa baterije ⑤a
 - ! kada najniži nivo indikatora baterije počne da treperi nakon pritiska dugmeta L ⑧b, baterija je prazna**
 - ! kada 2 nivoi indikatora baterije počnu da trepere nakon pritiska na dugme L ⑧c, baterija nije u dozvoljenom opsegu radne temperature**
- Zaštita baterije
Alat se momentalno isključuje ili ne može da se uključi kada
 - je opterećenje suviše veliko --> uklonite opterećenje i ponovo pokrenite
 - temperatura baterije nije u dozvoljenom radnom opsegu temperature od -20 do +50°C --> 2 nivoi indikatora za nivo baterije počinju da trepere kada pritisnete dugme L ⑧c; sačekajte dok se baterija ne vrati u dozvoljeni temperaturni opseg

- **baterija je skoro prazna (za zaštitu od dubinskog pražnjenja) --> nizak nivo baterije ili treperenje za nizak nivo baterije** ⑧ b prikazuje indikator za nivo baterije kada se pritisne dugme L; napunite bateriju
- ! **prestanite da pritiskate prekidač za uključivanje/isključivanje nakon automatskog isključivanja alata jer možete oštetiti bateriju**
- Postavljanje pribora ②
 - ! **uklonite bateriju iz alata**
 - očistite vreteno A i sve delove koje ćete postaviti
 - pričvrstite spone štitnika B pomoću ključa C dok pritiskate dugme za zaključavanje vretena D
 - ! **dugme za zaključavanje vretena D pritisnite kada se vreteno A savim zaustavi**
 - za skidanje pribora držati naopacke
 - ! **diskovi za brušenje/sečenje se veoma ugriju prilikom upotrebe; nemojte da ih dodirujete dok se potpuno ne ohlade**
 - ! **nemojte nikada da koristite diskove za brušenje/sečenje bez oznake koja je nalepljena na disk (ako postoji)**
- Postavljanje pomoćnu ručicu E ⑨
 - ! **uklonite bateriju iz alata**
 - pričvrstite pomoćnu ručicu E sa desne strane, na vrhu, ili sa leve strane alata (u zavisnosti od vrste rada)
- Skidanje/postavljanje/podešavanje štitnika F ⑩
 - ! **uklonite bateriju iz alata**
 - ! **vodite računa da zatvorena strana štitnika uvek bude okrenuta ka operateru**
 - ako je potrebno, pričvrstite štitnik F pritezanjem šrafa G koji je fabrički podešen (**proverite da li je štitnik zatvoren**)
- Pre korišćenja električnog alata
 - proverite da li je pribor ispravno postavljen i snažno pričvršćen
 - proverite da li pribor može da se pomera, tako što ćete ga ručno pokrenuti
 - probno pokrenite alat najmanje 60 sekundi na najvećoj brzini pri praznom hodu i u sigurnom položaju
 - odmah prekinite rad ukoliko dođe do većih vibracija ili drugih nepravilnosti u radu i pregledajte alat, da biste odredili uzrok
- Prekidač za zaključavanje uključivanja/isključivanja J ⑪
 - uključite alat ⑪ a
 - ! **obratite pažnju na trzaj alata prilikom uključivanja alat bi trebalo da radi u punoj brzini pre nego što pribor dodirne područje rada**
 - zaključajte prekidač ⑪ b
 - otključite prekidač/isključite alat ⑪ c
 - ! **uređaj treba da ga podignete sa područja rada pre nego što ga isključite**
 - ! **pribor se okreće još neko vreme nakon što se električni alat isključi**
- Brušenje ⑫
 - pomerajte električni alat napred-nazad uz lagani pritisak
 - ! **nikada nemojte da koristite disk za sečenje za bočno brušenje**
- Sečenje ⑬
 - pri sečenju nemojte da naginjete alat
 - uvek pomerajte električni alat u pravcu strelice na vrhu alata, da biste sprečili da alat nekontrolisano sklizne iz reza
 - nemojte da pritiskate električni alat; pustite da disk za sečenje sâm radi

- radna brzina diska za sečenje zavisi od materijala koji se seče
- nemojte bočnim pritiskom da slomite disk za sečenje
- Držanje i upravljanje alata
 - električni alat uvek snažno držite obema rukama, tako da u svakom trenutku imate punu kontrolu nad njim
 - ! **dok radite, uvek držite alat za mesto(a) koje(a) su označena sivom bojom** ⑭
 - uvek budite u sigurnom stavu
 - obratite pažnju na smer rotacije; električni alat uvek držite tako da varnice i prašina od brušenja/sečenja lete u pravcu suprotnom od tela
 - prerezi za hlađenje K ② moraju da budu otvoreni
- Postavljanje/uklanjanje ključa C ⑮
 - primenjivo samo ako se alat koristi sa pomoćnom ručicom sa integrisanim skladištem za ključ

SAVETI ZA PRIMENU

- Za više informacija pogledajte www.skil.com

ODRŽAVANJE / SERVIS

- Ovaj alat nije namenjen za profesionalnu upotrebu
- Alat uvek održavajte čistim (posebno otvore za hlađenje K ②)
 - ! **pre čišćenja uklonite bateriju iz alata**
- Ako bi alat i pored brižljivog postupka izrade i kontrole nekada otkazao, popravku mora vršiti neki autorizovani servis za SKIL-električne alate
 - pošaljite **nerastavljeni** alat zajedno sa potvrdom o kupovini vašem nabavljaču ili najbližem SKIL servisu (adrese i oznake rezervnih delova možete naći na www.skil.com)
- Imajte na umu da za oštećenja nastala usled preopterećivanja ili nepravilnog rukovanja neće važiti garancija (za uslove SKIL garancije posetite www.skil.com ili pitajte svog prodavca)

ZAŠTITA OKOLINE

- **Električne alate, baterije, pribora i ambalaže ne odlažite u kućne otpatke** (samo za EU-države)
 - prema Evropskoj direktivi 2012/19/EG o staroj električnoj i elektronskoj opremi i njenoj upotrebi u skladu sa nacionalnim pravom, električni alati koji su istrošeni moraju biti sakupljeni odvojeno i dostavljeni pogonu za reciklažu
 - simbol ⑦ će vas podsetiti na to
 - ! **da bi se izbegli kratki spojevi je baterija zaštićena debljom trakom**

BUKA / VIBRACIJE

- **3920**
 - Izmeren u skladu sa standardom EN 60745 nivo pritiska zvuka ovog alata je 80,5 dB(A) a nivo jačine zvuka 91,5 dB(A) (neizvesnost K = 3 dB), i vibracija pri brušenju površine 5,5 m/s² (troosni vektorski zbir; neizvesnost K = 1,5 m/s²)
 - ! **druge aplikacije (sečenje) mogu imati različite vrednosti intenziteta vibracija**
- **3921**
 - Izmeren u skladu sa standardom EN 60745 nivo pritiska zvuka ovog alata je 80,0 dB(A) a nivo jačine zvuka 91,0 dB(A) (neizvesnost K = 3 dB), i vibracija

pri brušenju površine 4,3 m/s² (troosni vektorski zbir; neizvesnost K = 1,5 m/s²)

! druge aplikacije (sečenje) mogu imati različite vrednosti intenziteta vibracija

- Nivo emisije vibracija izmeren je u skladu sa standardizovanim testom datim u EN 60745; on se može koristiti za upoređenje jedne alatke sa drugom, kao i za preliminarnu procenu izloženosti vibracijama pri korišćenju ove alatke za pomenute namene
 - korišćenje alatke u drugačije svrhe ili sa drugačijim ili slabo održavanim nastavcima može značajno **povećati** nivo izloženosti
 - vreme kada je alatka isključena ili kada je uključena, ali se njome ne radi, može značajno **smanjiti** nivo izloženosti
- **! zaštitite se od posledica vibracija održavanjem alatke i njenih nastavaka, održavajući Vaše ruke toplim i organizovanjem Vaših radnih obrazaca**

(SLO)

Akumulatorski kotni brusilnik 3920/3921

UVOD

- Orodje je namenjeno za **lažje** brušenje i rezanje kovine in kamna brez uporabe vode
- Orodje ni namenjeno profesionalni uporabi
- **Ne pritisakajte premočno na orodje; pustite, da hitrost rezalne plošče opravi svoje delo**
- **Rezanje z brusnima/rezalnimi koluti je dovoljeno le ob uporabi rezalnega štita (na voljo kot dodatna oprema SKIL 2610S00253 (3920) / 2610S00275 (3921))**
- Preberite in shranite navodila za uporabo ③

TEHNIČNI PODATKI ①

DELI ORODJA ②

- A Vreteno
- B Prirobna matica
- C Ključ za vreteno
- D Gumb za blokado vretena
- E Pomožna ročka
- F Varnostni štít
- G Vijak varnostni štít
- H Namešćena prirobnica
- J Vkllopno/izkllopno aretirmo stikalo
- K Ventilacijske reže
- L Indikator stanja akumulatorja
- M Vzvod varnostnega štita

VARNOST

SPLOŠNA VARNOSTNA OPOZORILA ZA ELEKTRIČNA ORODJA

! **OPOZORILO** Preberite vsa varnostna opozorila, navodila in tehnične podatke ter si oglejte slike, ki so priloženi temu električnemu orodju. Neupoštevanje spodaj navedenih navodil se lahko odrazi v električnem udaru, požaru in/ali hudih poškodbah.

Vsa opozorila in navodila shranite, saj jih boste v prihodnosti morda potrebovali.

Pojem "električno orodje", ki se pojavlja v nadaljnjem besedilu, se nanaša na električna orodja z električnim pogonom (z električnim kablom) in na akumulatorska električna orodja (brez električnega kabla).

1) VARNOST NA DELOVNEM MESTU

- a) **Poskrbite, da bo Vaše delovno mesto vedno čisto in urejeno.** Nered ali neosvetljena delovna področja lahko povzročijo nezgode.
- b) **Prosimo, da orodja ne uporabljate v okolju, kjer je nevarnost za eksplozije in v katerem se nahajajo gorljive tekoćine, plini in prah.** Električna orodja povzročajo iskenje, zato se gorljivi prah ali pare lahko vnamejo.
- c) **Ne dovolite otrokom in drugim osebam, da bi se medtem ko delate, približali električnemu orodju.** Druge osebe lahko odvrnejo Vašo pozornost drugam in izgubili boste nadzor nad orodjem.

2) ELEKTRIČNA VARNOST

- a) **Vtić mora ustrezati elektrićni vtićnici in ga pod nobenim pogojem ne smete spreminjati. Uporaba adapterskih vtićev v kombinaciji z ozemljenim orodjem ni dovoljena.** Originalni oziroma nespremenjeni vtići in ustrezne vtićnice zmanjšujejo tveganje elektrićnega udara.
- b) **Izogibajte se telesnemu stiku z ozemljenimi površinami, na primer s cevmi, grelci, štedilniki in hladilniki.** Če je ozemljeno tudi vaše telo, obstaja povećano tveganje elektrićnega udara.
- c) **Zavarujte orodje pred dežjem ali vlago.** Vdor vode v elektrićno orodje povećuje tveganje elektrićnega udara.
- d) **Elektrićnega kabla ne uporabljajte za prenašanje ali obešanje orodja in ne vlecite vtić iz vtićnice tako, da vlećete za kabel. Zavarujte kabel pred vroćino, oljem, ostrimi robovi in premikajoćimi se deli orodja.** Poškodovani ali prepleteni kabli povećujejo tveganje elektrićnega udara.
- e) **Če z elektrićnim orodjem delate na prostem, uporabljajte izključno kabelski podaljšek, ki je atestiran za delo na prostem.** Uporaba kabelskega podaljška, primernega za delo na prostem, zmanjšuje tveganje elektrićnega udara.
- f) **Če je uporaba elektrićnega orodja v vlažnem okolju neizogibna, uporabljajte prekinjevalec elektrićnega tokokroga.** Prekinjevalca elektrićnega tokokroga zmanjšuje tveganje elektrićnega udara.

3) OSEBNA VARNOST

- a) **Bodite zbrani in pazite, kaj delate. Dela z elektrićnim orodjem se lotite razumno. Nikoli ne uporabljajte orodja, če ste utrujeni in če ste pod vplivom mamil, alkohola ali zdravil.** En sam trenutek nepazljivosti pri uporabi orodja ima lahko za posledico resne telesne poškodbe.
- b) **Uporabljajte osebna zašćitna sredstva in vedno nosite zašćitna očala.** Uporaba osebnih zašćitnih sredstev, na primer maske proti prahu, nedrsećih zašćitnih ćevljev, zašćitne ćelade in glušnikov, odvisno od vrste in uporabe elektrićnega orodja, zmanjšuje tveganje telesnih poškodb.

- c) **Izogibajte se nenamernemu zagonu. Pred priključitvijo električnega orodja na električno omrežje in/ali na akumulator in pred dviganjem ali nošenjem se prepričajte, če je električno orodje izklopljeno.** Prenašanje naprave s prstom na stikalo ali priključitev vklopljenega električnega orodja na električno omrežje je lahko vzrok za nezgodo.
- d) **Pred vklopom orodja odstranite z nje nastavitvena orodja ali vijačni ključ.** Orodje ali ključ, ki se nahajata na vrtečem se delu električnega orodja, lahko povzročita nezgodo.
- e) **Ne precenjujte se in poskrbite za varno stojišče in stalno ravnotežje.** Tako boste lahko v nepričakovani situaciji bolje obvladali orodje.
- f) **Oblecite se primerno. Ne nosite ohlapnih oblačil ali nakita. Las in oblačil ne približujte premikajočim se delom.** Ohlapna oblačila, nakit ali dolgi lasje se lahko ujamejo v premikajoče se dele.
- g) **Če je možno na orodje namestiti priprave za odsesavanje in prestezanje prahu, prepričajte se, ali so le-te priključene in, če jih pravilno uporabljate.** Uporaba priprave za odsesavanje prahu zmanjšuje zdravstveno ogroženost zaradi prahu.
- h) **Naj seznanjenost z orodjem, ki jo pridobite s pogosto uporabo, ne bo razlog za to, da postanete lahkomišeln in ignorirate varnostna načela.** V delčku sekunde lahko nepozorno dejanje pripelje do hude poškodbe.
- 4) RAVNANJE IN NEGA ROČNEGA ORODJA**
- a) **Ne preobremenjujte orodja. Za določeno delo uporabljajte električno orodje, ki je predvideno za opravljanje tega dela.** Z ustreznim električnim orodjem boste delo opravili bolje in varneje, ker je bilo v ta namen tudi konstruirano.
- b) **Električno orodje, ki ima pokvarjeno stikalo, ne uporabljajte.** Električno orodje, ki ga ni možno vklopiti ali izklopiti, je nevarno in ga je potrebno popraviti.
- c) **Izvalcite vtič iz vtičnice in/ali odstranite akumulatorsko baterijo, če jo je mogoče izzeti, še preden orodje popravljate, menjujete pribor ali ga shranite.** Ti preventivni varnostni ukrepi zmanjšajo tveganje za nenamenski zagon orodja.
- d) **Kadar orodja ne uporabljate ga shranjujte izven dosega otrok.** Osebam, ki orodja ne poznajo ali niso prebrale teh navodil, orodja ne dovolite uporabljati. Električna orodja so nevarna, če jih uporabljajo neizkušene osebe.
- e) **Vzdržujte električna orodja in pribor. Preverite, če premikajoči se deli orodja delujejo brezhibno in če se ne zatikajo, oziroma, če kakšen del orodja ni zlomljen ali poškodovan do te mere, da bi oviral njegovo delovanje. Pred nadaljnjo uporabo je potrebno poškodovani del popraviti.** Vzrok za številne nezgode so ravno slabo vzdrževana električna orodja.
- f) **Rezalna orodja naj bodo ostra in čista.** Skrbno negovana rezalna orodja z ostrimi rezili se manj zatikajo in so bolj vodljiva.
- g) **Električna orodja, pribor, nastavke in podobno uporabljajte v skladu s temi navodili. Pri tem upoštevajte delovne pogoje in vrsto dela, ki ga nameravate opraviti.** Zaradi uporabe električnega orodja v druge, nepredvidene namene, lahko nastanejo nevarne situacije.
- h) **Ročaji in površine za prijemanje naj bodo suhe, čiste in brez olja ali maščobe.** Gladki ročaji in površine za prijemanje ne omogočajo varne uporabe in nadzora orodja v nepričakovanih situacijah.
- 5) SKRBNNO RAVNANJE ZA AKUMULATORSKIMI NAPRAVAMI IN NJIHOVA UPORABA**
- a) **Prosimo, da akumulatorske baterije polnite samo v polnilnikih, ki jih priporoča proizvajalec.** Na polnilniku, predvidenem za polnjenje določene vrste akumulatorskih baterij, lahko pride do požara, če ga uporabljate za polnjenje drugih vrst akumulatorskih baterij.
- b) **Za pogon akumulatorskih orodij uporabljajte samo zunanje predvidene akumulatorske baterije.** Uporaba drugačnih akumulatorskih baterij lahko povzroči telesne poškodbe ali požar.
- c) **Kadar akumulatorska baterija ni v orodju, pazite, da ne pride v stik s kovinskimi predmeti kot so pisarniške sponke, kovanci, ključi, žebliji, vijaki ali ostalimi kovinskimi predmeti, ki bi lahko povzročili stik med obema poloma akumulatorja.** Kratek stik med kontakti akumulatorske baterije lahko povzroči opekline ali požar.
- d) **Pri napačni uporabi lahko iz akumulatorske baterije priteče tekočina. Izogibajte se stiku z njo. V primeru naključnega stika prizadeto mesto spirajte z vodo. Če pride akumulatorska tekočina v oči, po spiranju poiščite tudi zdravniško pomoč.** Iztekanje tekočine iz akumulatorja lahko povzroči draženje kože ali opekline.
- e) **Ne uporabljajte poškodovanih ali prilagojenih akumulatorskih baterij oz. orodij.** Poškodovane ali prilagojene akumulatorske baterije se lahko nepredvidljivo obnašajo, kar lahko povzroči požar, eksplozijo ali tveganje za poškodbe.
- f) **Akumulatorske baterije ali orodja ne izpostavljajte ognju ali previsoki temperaturi.** Izpostavljenost ognju ali vročini nad 130°C lahko povzroči eksplozijo.
- g) **Upoštevajte navodila za polnjenje in ne polnite akumulatorske baterije ali orodja pri temperaturi, ki je izven območja, navedenega v navodilih. Če orodje polnite na nepravilen način ali pri temperaturah, ki so izven določenega območja, lahko pride do poškodb akumulatorske baterije, kar poveča tveganje za požar.**
- 6) SERVISIRANJE**
- a) **Popravilo orodja lahko opravi samo usposobljena strokovna oseba in to izključno z originalnimi nadomestnimi deli.** Le tako bo ohranjena nadaljnja varnost orodja.
- b) **Nikdar ne popravljajte poškodovanih akumulatorskih baterij.** Akumulatorske baterije naj popravlja le proizvajalec ali pooblaščen servisier.

VARNOSTNA NAVODILA ZA KOTNE BRUSILNIKE

- 1) SKUPNA OPOZORILO ZA BRUŠENJE, BRUŠENJE Z BRUSNIM PAPIRJEM, DELO Z ŽIČNIMI ŠČETKAMI, POLIRANJE IN REZANJE**
- a) **To električno orodje se lahko uporablja za brušenje ter kot rezalni stroj. Upoštevajte vsa opozorila, navodila, slikovne prikaze in podatke, ki ste jih prejeli skupaj z električnim orodjem.** Zaradi nespoštovanja spodaj navedenih navodil lahko pride do električnega udara, požara in/ali težkih telesnih poškodb.

- b) **Orodje ni primerno za brušenje, krtačenje ali poliranje.** Uporaba električnega orodja v nepredvidene namene lahko privede do nevarnih situacij in telesnih poškodb.
- c) **Ne uporabljajte pribora, ki ga proizvajalec za to orodje ni specialno predvidel in katerega uporabe ne priporoča.** Zgolj dejstvo, da lahko nek pribor pritrudi na Vaše električno orodje, še ne zagotavlja varne uporabe.
- d) **Dovoljeno število vrtljajev vsadnega orodja mora znašati najmanj toliko, kolikor znaša najvišje število vrtljajev, ki je navedeno na električnem orodju.** Pribor, katerega hitrost vrtenja je večja od dovoljene, se lahko pokvari.
- e) **Zunanji premer in debelina vsadnega orodja morata ustrezati meram Vašega električnega orodja.** Napačno dimenzionirani vsadnih orodij ne boste mogli dovolj dobro zavarovati ali nadzorovati.
- f) **Vstavna orodja z navojnim vstavkom morajo natančno ustrezati navoju brusilnega vretena.** Pri vstavnih orodjih, ki se montirajo s pomočjo prirobnice, mora premer luknje vstavnega orodja natančno ustrezati premeru prijemala prirobnice. Vstavna orodja, ki jih ne pritrudi povsem natančno na električno orodje, se vrtijo neenakomerno, močno vibrirajo in lahko vodijo k izgubi nadzora nad orodjem.
- g) **Ne uporabljajte poškodovanih vsadnih orodij. Pred vsako uporabo preglejte brusilne kolute, če se ne luščijo oziroma če nimajo razpok, brusilne krožnike, če nimajo razpok oziroma če niso močno obrabljeni ali izrabljeni, žične ščetke pa, če nimajo zrahljanih ali odlomljenih deli. Če pade električno orodje ali vsadno orodje na tla, pogledajte, če ni poškodovano in uporabljajte samo nepoškodovana vsadna orodja. Po kontroli in vstavljanju vsadnega orodja se ne zadržujte v ravnini vrtečega se vsadnega orodja, kar velja tudi za druge osebe v bližini. Električno orodje naj eno minuto deluje z najvišjim številom vrtljajev.** Poškodovana vsadna orodja se največkrat zlomijo med tem poizkusnim časom.
- h) **Uporabljajte osebno zaščitno opremo. Odvisno od vrste uporabe si nataknite zaščitno masko čez cel obraz, zaščito za oči ali zaščitna očala. Če je potrebno, nosite zaščitno masko proti prahu, zaščitne slušnice, zaščitne rokavice ali specialni predpasnik, ki Vas bo zavaroval pred manjšimi delci materiala, ki nastajajo pri brušenju. Oči je treba zavarovati pred tuji, ki nastajajo pri različnih vrstah uporabe orodja in letijo naokrog. Zaščitna maska proti prahu ali dihalna maska morata filtrirati prah, ki nastaja pri uporabi. Predolgo izpostavljanje glasnemu hrupu ima lahko za posledico izgubo sluha.**
- i) **Pazite, da bodo druge osebe varno oddaljene od Vašega delovnega območja. Vsak, ki stopi na delovno območje, mora nositi osebno zaščitno opremo.** Odlomljeni delci obdelovanca ali zlomljena vsadna orodja lahko odletijo stran in povzročijo telesne poškodbe, tudi izven neposrednega delovnega območja.
- j) **Če izvajate dela, pri katerih bi se lahko z orodjem skrite omrežne napeljave, držite električno orodje samo za izolirane ročaje. Stik orodja z napeljavo, ki je pod napetostjo, lahko povzroči, da so tudi kovinski deli orodja pod napetostjo, kar lahko povzroči električni udar za upravljalca.**
- k) **Omrežnega kabela ne približujte vrtečemu se vsadnemu orodju.** Če izgubite nadzor nad električnim orodjem, lahko orodje prereže ali zagradi kabel, Vaša roka pa zaide v vrteče se vsadno orodje.
- l) **Ne odlagajte električnega orodja, dokler se vsadno orodje popolnoma ne ustavi.** Vrteče se vsadno orodje lahko pride v stik z odlagalno površino, zaradi česar lahko izgubite nadzor nad električnim orodjem.
- m) **Električno orodje naj medtem, ko ga prenašate naokrog, ne deluje.** Vrteče se vsadno orodje lahko zaradi naključnega kontakta zagradi Vaše oblačilo in se zavrta v Vaše telo.
- n) **Prezračevalne reže električnega orodja morate redno čistiti.** Ventilator motorja povleče v ohišje prah in velika količina nabranega prahu je lahko vzrok za električno nevarnost.
- o) **Ne uporabljajte električnega orodja v bližini gorljivih materialov.** Ti materiali se lahko zaradi iskrenja vnamejo.
- p) **Ne uporabljajte vsadnih orodij, ki za hlajenje potrebujejo tekočino.** Uporaba vode ali drugih tekočin lahko povzroči električni udar.
- 2) POVRATNI UDAREC IN USTREZNA OPOZORILA**
- Povratni udarec je nenadna reakcija, ki nastane zaradi zagodenja ali blokiranja vrtečega se vsadnega orodja, na primer brusilnega koluta, brusilnega krožnika, žične ščetke in podobnega. Zagodenje ali blokiranje ima za posledico takojšnjo ustavitev vrtečega se vsadnega orodja. Nekontrolirano električno orodje se zaradi tega pospešeno premakne v smer, ki je nasprotna smeri vrtenja vsadnega orodja.
 - Če se na primer brusilni kolut zatakne ali zablokira v obdelovancu, se lahko rob brusilnega koluta, ki je potopljen v obdelovanec, zaplete vanj in brusilni kolut se odlomi ali povzroči povratni udarec. Brusilni kolut se nato premakne proti uporabniku ali proč od njega, odvisno od smeri vrtenja brusilnega koluta na mestu blokiranja. Blokirni koluti se lahko pri tem tudi zlomijo.
 - Povratni udarec je posledica napačne ali pomanjkljive uporabe električnega orodja. Preprečite ga lahko z ustreznimi previdnostnimi ukrepi. Navedeni so v nadaljevanju besedila.
- a) **Dobro držite električno orodje in premaknite telo in roke v položaj, v katerem boste lahko prestregli moč povratnega udarca. Če je na voljo dodatni ročaj, ga obvezno uporabljajte in tako zagotovite najboljše možno nadziranje moči povratnih udarcev ali reakcijskih momentov pri zagonu orodja. Z ustreznimi previdnostnimi ukrepi lahko uporabnik obvlada moč povratnih udarcev in reakcijskih momentov.**
- b) **Nikoli z roko ne segajte v bližino vrtečih se vsadnih orodij. V primeru povratnega udarca se lahko orodje premakne čez Vašo roko.**
- c) **Ne približujte telesa področju, v katerega se lahko v primeru povratnega udarca premakne električno orodje. Povratni udarec potisne električno orodje v smer, ki je nasprotna smeri premikanja brusilnega koluta na mestu blokiranja.**
- d) **Posebno previdno delajte v kotih, na ostrih robovih in podobnih površinah. Preprečite, da bi vsadna orodja odskočila od obdelovanca in se zagodila. Vrteče se vsadno orodje se v kotih, na ostrih robovih ali če odskoči, zlahka zagodži. To povzroči izgubo nadzora ali povratni udarec.**

- e) **Ne uporabljajte verižnih ali nazobčanih žaginih listov.** Ta vsadna orodja pogosto povzročijo povratni udarec ali izgubo nadzora nad električnim orodjem.
- 3) **VARNOSTNA OPOZORILA ZA BRUŠENJE IN REZANJE Z ABRAZIVNIMI MATERIALI**
- a) **Uporabljajte samo brusila, ki so atestirana za Vaše električno orodje in zaščitni pokrov, predviden za ta brusila.** Brusil, ki niso predvidena za Vaše električno orodje, ne boste mogli dobro zavarovati in so zato nevarna.
- b) **Kolenaste brusilne plošče morate montirati tako, da njihova brusilna površina ne bo segala čez rob zaščitnega pokrova.** Nepravilno montirane brusilne plošče, ki sega čez rob zaščitnega pokrova, ni moč zadostno zavarovati.
- c) **Zaščitni pokrov mora biti varno nameščen na električno orodje in pritrjen tako, da bo zagotovil največjo možno mero varnosti, kar pomeni, da mora biti proti uporabniku obrnjen najmanjši del odprtega brusila.** Zaščitni pokrov naj bi uporabnika varoval pred drobcii, naključnim stikom z brusilom in iskrami, ki bi lahko vnele oblačila.
- d) **Brusila lahko uporabljate samo za vrste uporabe, ki jih priporoča proizvajalec.** Na primer: Nikoli ne brusite s stransko ploskvijo rezalne plošče. Rezalne plošče so namenjene odstranjevanju materiala z robom plošče. Brusilo se lahko zaradi bočnega delovanja sile zlomi.
- e) **Za izbrani brusilni kolot vedno uporabljajte nepoškodovane vpenjalne prirobnice pravilne velikosti in oblike.** Ustrezne prirobnice podpirajo brusilni kolot in tako zmanjšujejo nevarnost, da bi se kolot zlomil. Prirobnice za rezalne plošče se lahko razlikujejo od prirobnic za druge brusilne kolote.
- f) **Ne uporabljajte obrabljenih brusilnih kolotov večjih električnih orodij.** Brusilni koloti za večja električna orodja niso konstruirana za višje število vrtljajev, s katerimi delujejo manjša električna orodja in se lahko zato zlomijo.
- 4) **OSTALA OPOZORILA ZA REZANJE**
- a) **Izogibajte se blokiranju rezalne plošče ali premočnemu pritiskanju na obdelovanec. Ne delajte pretirano globokih rezov.** Preobremenjenost rezalne plošče se poveča, prav tako dovzetnost za zatikanje ali blokiranje in s tem možnost povratnega udarca ali zloma brusila.
- b) **Izogibajte se področja pred in za vrtečo se rezalno ploščo.** Če boste rezalno ploščo, ki je v obdelovancu, potisnili stran od sebe, lahko električno orodje v primeru povratnega udarca skupaj z vrtečim se kolotom odleti naravnost v Vas.
- c) **Če se rezalna plošča zagodzi ali če prekinete z delom, električno orodje izklopite in ga držite pri miru, dokler se kolot popolnoma ne ustavi. Nikoli ne poskušajte rezalne plošče, ki se še vrti, potegniti iz reza, ker lahko pride do povratnega udarca.** Ugotovite in odstranite vzrok zagozditve.
- d) **Dokler se električno orodje nahaja v obdelovancu, ga ne smete ponovno vklopiti. Počakajte, da bo rezalna plošča dosegla polno število vrtljajev in šele potem previdno nadaljujte z rezanjem.** V nasprotnem primeru se lahko plošča zatakne, skoči iz obdelovanca ali povzroči povratni udarec.
- e) **Plošče ali velike obdelovance ustrezno podprite in tako zmanjšajte tveganje povratnega udarca zaradi**

- zataknjene rezalne plošče.** Veliki obdelovanci se lahko zaradi lastne teže upognejo. Obdelovanec mora biti podprt z obeh strani, pa tudi v bližini reza in na robu.
- f) **Še posebno previdni bodite pri „rezanju žepov“ v obstoječe stene ali v druga področja, v katera nimate vpogleda.** Pogrezajoča se rezalna plošča lahko pri zarezovanju v plinske ali vodovodne cevi ter električne vodnike in druge predmete povzroči povratni udarec.

DODATNA VARNOSTNA NAVODILA

SPLOŠNO

- To orodje ni primerno za mokro brušenje in rezanje
- Uporabljajte le tiste prirobnice, ki so dobavljene skupaj z orodjem
- Orodja naj ne bi uporabljale osebe mlajše od 16 let
- **Preden orodje kakor koli prilagajate ali zamenjate pribor, z orodja odstranite akumulator**

PRIBOR

- SKIL zagotavlja brezhibno delovanje orodja le z uporabo originalnega dodatnega pribora
- Pri uporabi in montaži ne SKIL-ovega pribora upoštevajte navodila proizvajalca uporabljenega pribora
- **Uporabljajte samo brusnih/rezinih plošč debeline do največ 6 mm in s premerom odprtine vretena 22 mm**
- Nikoli ne uporabljajte reducirnih tulč ali adapterjev za prilagajanje brusnih ali rezinih plošč z večjimi premeri lukenj
- Ne uporabljajte pribora, ki ima manjšo luknjo kot jo zahteva vreteno M14 x 21 mm
- Z brusnimi/rezinih ploščami ravnajte previdno, da ne počijo ali se odkrušijo; shranjujte jih na primeren način

PRED UPORABO

- Pred prvo uporabo orodja je priporočljivo dobiti praktične informacije
- Vedno uporabljajte brusilnik z nameščenim stranskim ročajem E ② in varnostnim ščitom F ②; nikoli ne uporabljajte brusilnika brez njiju
- **Za iskanje skritih električnih, plinskih in vodovodnih cevi uporabite primerne iskalne naprave (detektorje) ali se posvetujte z lokalnimi podjetji** (stik z električnimi vodniki lahko povzroči požar ali električni udar; poškodbe plinovoda lahko povzročijo eksplozijo, vdor v vodovodno omrežje pa materialno škodo ali električni udar)
- **Ne obdelujte materiala, ki vsebuje azbest** (azbest povzroča rakasta obolenja)
- Prah materialov, kot so barve, ki vsebujejo svinec, nekatere vrste lesa, mineralov ali kovin so lahko škodljivi (ob stiku ali vdihavanju lahko prah pri delavcu ali pri drugih prisotnih povzroči alergijsko reakcijo in/ali boleznii dihal); **nosite masko za prah in pri delu uporabljajte napravo za odsesavanje prahu, kjer je le-to možno priključiti**
- Nekatere vrste prahu so klasificirane kot kancerogene (kot npr. prah hrasta in bukke) še posebno ob sočasni uporabi z dodatki za obdelavo lesa; **nosite masko za prah in pri delu uporabljajte napravo za odsesavanje prahu, kjer je le-to možno priključiti**
- Upoštevajte nacionalne zahteve glede prahu za materiale katere želite obdelovati
- Bodite pozorni pri rezanju nosilcev, posebno v podpornih stenah (odprtine v podpornih zidovih so predmet posebnih predpisov, odvisno od države, katere je potrebno v takšnih okoliščinah upoštevati)

- **Zavarujte obdelovanec** (obdelovanec stisnjen v prižemi ali primežu je bolj varen kot v roki)
- Ne vpenjajte stroja v primež

MED UPORABO

- V primeru električnih ali mehanskih kvar takoj izklopite orodje in odstranite akumulator
- Če odrežete zaščito akumulatorja ali odstranite akumulator, se orodje ne samo zagnalo znova; za ponovni zagon odblokirajte stikalo za vklop/izklop orodja in znova vklopite orodje ⑪

PO UPORABI

- Po izključitvi stikala orodja nikoli ne ustavljajte vrtenja plošče s stranskim pritiskanjem

AKUMULATORJI

- **Priloženi akumulator je delno napolnjen** (če želite zagotoviti polno zmogljivost akumulatorja, ga pred prvo uporabo popolnoma napolnite s polnilnikom za akumulator)
- **S tem orodjem lahko uporabljate samo te akumulatorje in polnilnike**
 - Akumulator SKIL: BR1*31****
 - Polnilnik SKIL: CR1*31****
- Ne uporabljajte poškodovanega akumulatorja, ampak ga zamenjajte
- Akumulatorja ne razstavljajte
- Orodja/akumulatorja ne izpostavljajte dežju
- Dovoljena temperatura okolice (orodje/polnilnik/akumulator):
 - pri polnjenju 4...40°C
 - pri delu -20...+50°C
 - pri skladiščenju -20...+50°C

POJASNILO OZNAK NA ORODJU/BATERIJI

- ③ Pred uporabo preberite navodila za uporabo
- ④ Uporabljajte zaščitna očala in zaščito sluha
- ⑤ Baterije lahko pri izpostavljanju odprtemu ognju eksplodirajo, zato jih nikoli ne sežigajte
- ⑥ Shranjujte orodje, polnilnik in akumulator v prostoru, kjer temperatura ne bo preseгла 50°C
- ⑦ Ne odstranjujte električnega orodja in baterije s hišnimi odpadki

UPORABA

- Polnjenje akumulatorja
 - ! **Preberite varnostna opozorila in navodila, priložena polnilniku**
- Odstranitev/namestitvev akumulatorja ②
- Indikator stanja akumulatorja ③
 - pritisnite gumb indikatorja ravni napolnjenosti akumulatorja L, da prikazete trenutno raven napolnjenosti akumulatorja ⑧a
 - ! **ko začne utripati najnižja raven indikatorja akumulatorja po pritisku gumba L ⑧b, je akumulator prazen**
 - ! **ko začnejo utripati ravni 2 indikatorja akumulatorja po pritisku gumba L ⑧c, akumulator ni v dovoljenem razponu delovne temperature**
- Zaščita akumulatorja
 - Orodje se nenadoma izklopi ali pa ga ni mogoče vklopiti, kadar
 - **previsoka obremenitev** --> odstranite obremenitev in zaženite znova
 - **temperatura baterije ni v dovoljenem razponu delovne temperature od -20 do +50 °C** --> 2 ravni indikatorja napolnjenosti akumulatorja začnejo utripati,

ko pritisnete gumb L ⑧c; počakajte, da se akumulator vrne v dovoljeni razpon delovne temperature

- **akumulator je skoraj prazen (zaščitite ga pred popolno izpraznitvijo)** --> indikator napolnjenosti akumulatorja prikaže nizko raven napolnjenosti akumulatorja ali utripajočo nizko raven napolnjenosti akumulatorja ⑧b, ko pritisnete gumb L; napolnite akumulator
- ! **po samodejnem izklopu ne pritiskajte stikala za vklop/izklop; baterija se lahko poškoduje**
- Namestitev pribora ②
 - ! **z orodja odstranite akumulator**
 - očistite vreteno A in vse dele, ki bodo nameščeni
 - pritrđite prirobno matico B s ključem C pri tem pa držite pritisnjen gumb za blokado vretena D
 - ! **pritisnite gumb za blokado vretena D le ko je vreteno A popolnoma mirujoče**
 - pri demontaži pribora postopek ponovite in prirobno matico odvijajte
 - ! **med uporabo brusne in rezalne plošče postanejo zelo vroče; ne dotikajte se jih dokler se popolnoma ne ohladijo**
 - ! **nikoli ne uporabljajte brusne ali rezalne plošče brez nalepke na njej (če je na voljo dodatni ročaj)**
- Namestitev pomožnega ročaja E ④
 - ! **z orodja odstranite akumulator**
 - pomožni ročaj lahko privijete E na levo ali desno stran ali na vrh orodja (odvisno od vrste dela)
- Demontaža/namestitvev/nastavitvev varnostnega ščita F ⑩
 - ! **z orodja odstranite akumulator**
 - ! **zagotovite, da je zaprti del varnostnega ščita vedno obrnjen k uporabniku**
 - po potrebi, ščitnik F pritrđite s privijanjem vijaka G, ki je tovarniško prednastavljen (**prepričajte se, ali je ščitnik zaprt**)
- Pred uporabo orodja
 - prepričajte se, da je pribor pravilno nameščen in čvrsto pritrjen
 - preverite z roko, če se nameščen pribor prosto vrti
 - napravite preizkusni zagon, tako, da vključite orodje na varnem mestu, za najmanj 60 sekund, pri največji hitrosti
 - pri močnih vibracijah ali drugih napakah, takoj izklopite orodje in ugotovite vzrok
- Vklopno/izklopno aretiro stikalo J ⑪
 - vklopite orodje ⑪a
 - ! **pazite na nenaden sunek pri vklopu orodja**
 - ! **preden pribor doseže obdelovanec naj orodje doseže polno hitrost**
 - aretirajte stikalo ⑪b
 - izklopite stikalo/izklopite orodje ⑪c
 - ! **preden orodje izklopite, bi ga morali odmakniti od predmeta, ki ga obdelujete**
 - ! **po izklopu orodja se pribor še nekaj časa vrti**
- Brušenje ⑫
 - premikajte orodje naprej in nazaj z zmernim pritiskom
 - ! **nikoli ne uporabljajte rezalne plošče za stransko brušenje**
- Rezanje ⑬
 - med rezanjem ne nagibajte orodja
 - orodje vedno pomikajte v smeri puščice na ohišju orodja, da preprečite uhajanje plošče iz linije reza in nenadzorovane pomike
 - ne pritisčajte premočno na orodje; pustite, da hitrost rezalne plošče opravi svoje delo

- hitrost rezalne plošče je odvisna od materiala katerega obdelujemo
- ne zaustavljajte rezalnih plošč s stranskim pritiskom
- Držanje in vodenje orodja
 - vedno čvrsto držite orodje z obema rokama, tako boste imeli nad njim ves čas popoln nadzor
 - ! **med delom vedno držite orodje za sivo obarvano mesto oprijema** (14)
 - zagotovite si varen položaj
 - bodite pozorni na smer vrtenja; vedno držite orodje tako, da iskre in prah, ki nastajajo pri brušenju ali rezanju letijo proč od uporabnika
 - ventilacijske reže K (2) morajo biti nepokrite
- Namesititev/odstranitev ključa za vreteno C (15)
 - ta postopek lahko izvedete le, če orodje uporabljate s pomožnim ročajem z vgrajenim predelom za shranjevanje ključa za vreteno

UPORABNI NASVETI

- Za več informacij obiščite spletno stran www.skil.com

VZDRŽEVANJE/SERVISIRANJE

- Orodje ni namenjeno profesionalni uporabi
- Orodje naj bo vedno čisto (še posebej prezračevalne odprtine K (2))
 - ! **pred čiščenjem odstranite akumulator iz orodja**
- Če bi kljub skrbnim postopkom izdelave in preizkušanja prišlo do izpada delovanja orodja, naj preizkušanja prišlo do izpada delovanja orodja, naj popravilo opravi servisna delavnica, pooblaščen za popravila SKILevih električnih orodij
 - pošljite **nerazstavljeno** orodje skupaj s potrdilom o nakupu pri vašemu prodajalcu v najbližjo SKIL servisno delavnico (naslovi, kot tudi spisek rezervnih delov se nahaja na www.skil.com)
- Zavedajte se, da garancija ne vključuje poškodb zaradi preobremenitve orodja ali nepravilne rabe (glede SKILovih garancijskih pogojev obiščite www.skil.com ali povprašajte prodajalca)

OKOLJE

- **Električnega orodja, baterije, pribora in embalaže ne odstranjujte s hišnimi odpadki** (samo za države EU)
 - v skladu z Evropsko direktivo 2012/19/EG o odpadni električni in elektronski opremi in z njenim izvajanjem v nacionalni zakonodaji je treba električna orodja ob koncu njihove življenjske dobe ločeno zbirati in jih predati v postopek okolju prijaznega recikliranja
 - ko je potrebno odstranjevanje, naj vas o načinu spomni simbol (7)
 - ! **preden akumulator zavržete, prilepite kontakte z debelejšim izolirnim trakom, da preprečite kratek stik**

HRUP / VIBRACIJA

- **3920**

Raven zvočnega tlaka tega orodja, ki je bila izmerjena v skladu s standardom EN 60745, je 80,5 dB(A), raven zvočne moči je 91,0 dB(A) (odstopanje K = 3 dB), skupne vrednosti vibracij pri brušenju površin pa 5,5 m/s² (triosna vektorska vsota; odstopanje K = 1,5 m/s²)

! **ostali načini uporabe (kot na primer rezanje) imajo lahko različne vrednosti vibracij**

- **3921**

Raven zvočnega tlaka tega orodja, ki je bila izmerjena v skladu s standardom EN 60745, je 80,0 dB(A), raven zvočne moči je 91,0 dB(A) (odstopanje K = 3 dB), skupne vrednosti vibracij pri brušenju površin pa 4,3 m/s² (triosna vektorska vsota; odstopanje K = 1,5 m/s²)

! **ostali načini uporabe (kot na primer rezanje) imajo lahko različne vrednosti vibracij**
- Raven oddajanja vibracij je bila izmerjena v skladu s standardiziranimi testi, navedenimi v EN 60745; uporabiti jo je mogoče za primerjavo različnih orodij med seboj in za predhodno primerjavo izpostavljenosti vibracijam pri uporabi orodja za namene, ki so omenjeni
 - uporaba orodja za drugačne namene ali uporaba skupaj z drugimi, slabo vzdrževanimi nastavki lahko znatno **poveča** raven izpostavljenosti
 - čas, ko je orodje izklopljeno ali ko teče, vendar z njim ne delamo, lahko znatno **zmanjša** raven izpostavljenosti
- ! **pred posledicami vibracij se zaščitite z vzdrževanjem orodja in pripadajočih nastavkov, ter tako, da so vaše roke tople, vaši delovni vzorci pa organizirani**

(EST)

Juhtmeta nurkljihvija 3920/3921 SISSEJUATUS

- Tööriist on ette nähtud metall- ja kivimaterjalide **kergeteks** lihvimiseks, lõikamiseks ja kraatide eemaldamiseks kuivmeetodil
- Tööriist pole mõeldud professionaalseks kasutamiseks
- **Ärge suruge tööriistale liiga suure survega; laske lõikeketta kiirusel enda heaks töötada**
- **Lõiketoi mingud lihvilõikeketastega on lubatud üksnes kettakaitse kasutamisel (saadaval SKILi listarvikuena 2610S00253 (3920) / 2610S00275 (3921))**
- Palun lugege käesolev kasutusjuhend hoolikalt läbi ja hoidke alles (3)

TEHNILISED ANDMED (1)

SEADME OSAD (2)

- A Spindel
- B Pingutusflanš
- C Pingutusvõti
- D Spindlilukustusnupp
- E Lisakäepide
- F Kaitse
- G Kettakaitsemutri
- H Kinnitusflanš
- J Sisse/välja lukustusnupp
- K Õhutussavad
- L Aku laetuse astme indikaator
- M Kaitsekatte hoob

OHUTUS

ÜLDISED OHUTUSNÕUDED ELEKTRILISTE TÖÖRIISTADE KASUTAMISEL

⚡ HOIATUS Lugege kõiki hoiatusi, juhiseid, kirjeldusi ja spetsifikatsioone, mis käivad tööriistaga kaasas.

Kui kõiki allpool loetletud juhiseid ei õnnestu järgida, võite saada elektrilöögi, võib tekkida tulekahju ja/või saada raskelt vigastada.

Hoidke kõik ohutusnõuded ja juhised edaspidiseks alles.

Allpool kasutatud mõiste "elektriline tööriist" käib võrgutoitega (toitejuhtmega) elektriliste tööriistade ja akutoitega (ilma toitejuhtmeta) elektriliste tööriistade kohta.

1) OHUTUSNÕUDED TÖÖPIIRKONNAS

- a) **Hoidke töökoht puhas ja korras.** Segadus või valgustamata tööpiirkonnad võivad põhjustada õnnetusi.
- b) **Ärge kasutage seadet plahvatusohtlikus keskkonnas, kus leidub tuleohtlikke vedelikke, gaase või tolmu.** Elektrilistest tööriistadest lööb sädemeid, mis võivad tolmu või auru süüdata.
- c) **Kui kasutate elektrilist tööriista, hoidke lapsed ja teised isikud töökohast eemal.** Kui Teie tähelepanu kõrvale juhitakse, võib seade Teie kontrolli alt väljuda.

2) ELEKTRIOHUTUS

- a) **Seadme pistik peab pistikupessa sobima.** Pistiku kallal ei tohi teha mingeid muudatusi. Ärge kasutage kaitsemaandusega seadmete puhul adapterpistikuid. Muutmata pistikud ja sobivad pistikupesad vähendavad elektrilöögi saamise riski.
- b) **Vältige kehakontakti maandatud pindadega, nagu torud, radiaatorid, pliidid ja külmikud.** Kui Teie keha on maandatud, on elektrilöögi risk suurem.
- c) **Hoidke seadet vihma ja niiskuse eest.** Kui elektriseadmesse on sattunud vett, on elektrilöögi saamise risk suurem.
- d) **Ärge kasutage toitejuhet selleks mitte ettenähtud otstarbel seadme kandmiseks, ülesriputamiseks ega pistiku pistikupesast väljatõmbamiseks.** Hoidke toitejuhet kuumuse, õli, teravate servade ja seadme liikuvate osade eest. Kahjustatud või keerduläinud toitejuhtmed suurendavad elektrilöögi saamise riski.
- e) **Kui töotate elektrilise tööriistaga vabas õhus, kasutage ainult selliseid pikendusjuhtmeid, mida on lubatud kasutada ka välistingimustes.** Välistingimustes kasutamiseks sobiva pikendusjuhtme kasutamine vähendab elektrilöögi saamise riski.
- f) **Kui elektrilise tööriista kasutamine niiskes keskkonnas on vältimatu, kasutage maandusega lekkevoolukaitses. Maandusega lekkevoolukaitsme kasutamine vähendab elektrilöögi ohtu.**

3) INIMESTE TURVALISUS

- a) **Olge tähelepanelik, jälgige, mida Te teete, ning toimige elektrilise tööriistaga töötades mõistlikult.** Ärge kasutage seadet, kui olete väsinud või uimastite, alkoholi või ravimite mõju all. Hetkeline tähelepanematus seadme kasutamisel võib põhjustada tõsiseid vigastusi.
- b) **Kandke isikukaitsevahendeid ja alati kaitseprille.** Isikukaitsevahendite, nagu tolumask, libisemiskindlad

turvajalatsid, kaitsekiiver või kuulmiskaitsevahendid, kandmine – sõltuvalt elektrilise tööriista tüübist ja kasutusala – vähendab vigastuste riski.

- c) **Vältige seadme tahtmatut käivitamist.** Enne pistiku ühendamist pistikupesaga, aku ühendamist seadme külge, seadme ülestõstmist ja kandmist veenduge, et elektriline tööriist on välja lülitatud. Kui hoiate elektrilise tööriista kandmisel sõrme lülilil või ühendate vooluvõrku sisselülitatud seadme, võivad tagajärjeks olla õnnetused.
 - d) **Enne seadme sisselülitamist eemaldage selle küljest reguleerimis- ja mutrivõtmed.** Seadme pöörleva osa küljes olev reguleerimis- või mutrivõti võib põhjustada vigastusi.
 - e) **Ärge hinnake end üle. Võtke stabiilne tööasend ja hoidke kogu aeg tasakaalu.** Nii saate seadet ootamatutes olukordades paremini kontrollida.
 - f) **Ärge sobivat rõivastust. Ärge kandke lau riideid ega ehteid.** Hoidke juuksed ja rõivad seadme liikuvatest osadest eemal. Lotendavad riided, ehted või pikad juuksed võivad sattuda seadme liikuvate osade vahele.
 - g) **Kui on võimalik paigaldada tolmueemaldus- ja tolmu kogumisseadiseid/seadmeid, veenduge, et need oleksid seadmega ühendatud ja et neid kasutatakse õigesti.** Tolmueemaldusseadise kasutamine vähendab tolmut põhjustatud ohte.
 - h) **Ärge muutuge tööriista sagedasest kasutamisest hooletuks ja ärge eirake ohutusnõudeid.** Hooletus võib sekundi murdosa jooksul kaasa tuua raskeid vigastusi.
- ### **4) ELEKTRILISTE TÖÖRIISTADE HOOLIKAS KÄSITSEMINE JA KASUTAMINE**
- a) **Ärge koormake seadet üle.** Kasutage töö tegemiseks selleks ettenähtud elektrilist tööriista. Sobiva elektrilise tööriistaga töötate paremini ja turvalisemalt ettenähtud võimsusvahemikus.
 - b) **Ärge kasutage elektrilist tööriista, mille lüliti on rikkis.** Elektriline tööriist, mida ei ole enam võimalik sisse ja välja lülitada, on ohtlik ning seda tuleb remontida.
 - c) **Tõmmake pistik pistikupesast välja ja/või eemaldage seadmest aku, kui on eemaldatav, enne seadme reguleerimist, tarvikute vahetamist ja seadme ärapanekut.** See ettevaatusabinõu väldib seadme tahtmatut käivitamist.
 - d) **Kasutusvälisel ajal hoidke elektrilisi tööriistu lastele kättesaamatult.** Ärge laske seadet kasutada isikutel, kes seda ei tunne või pole siintoodud juhiseid lugenud. Kogenematute kasutajate käes kujutavad elektrilised tööriistad ohtu.
 - e) **Hoolitsege elektriliste tööriistade ja tarvikute eest korralikult.** Kontrollige, kas seadme liikuvad osad funktsioneerivad korralikult ja ei kiildu kinni, ning ega mõned osad ei ole katki või sel määral kahjustatud, et võiksid mõjutada seadme töökindlust. Laske kahjustatud osad enne seadme kasutamist parandada. Paljude õnnetuste põhjuseks on halvasti hooldatud elektrilised tööriistad.
 - f) **Hoidke lõiketarvikud teravad ja puhtad.** Hoolikalt hoitud, teravate lõikeservadega lõiketarvikud kiilduvad harvemini kinni ja neid on lihtsam juhtida.
 - g) **Kasutage elektrilist tööriista, lisavarustust, tarvikuid jne vastavalt siintoodud juhisteile.**

Arvestage seejuures töötingimuste ja teostatava töö iseloomuga. Elektriliste tööriistade kasutamine mitte ettenähtud otstarbel võib põhjustada ohtlikke olukordi.

- h) Hoidke käepidemed ja haardepinnad kuiva ja puhtana ning vabana õlist ja määrdeainetest.** Libedad käepidemed ja haardepinnad ei luba tööriista ohutult käitseda ja ootamatutes olukordades kontrolli all hoida.
- 5) AKUTÖÖRIISTADE HOOLIKAS KÄSITSEMINE JA KASUTAMINE**
- a) **Laadige akusid ainult tootja poolt soovitatud akulaadijatega.** Akulaadija, mis sobib teatud tüüpi akudele, muutub tuleohtlikuks, kui seda kasutatakse teiste akudega.
- b) **Kasutage elektrilistes tööriistades ainult selleks ettenähtud akusid.** Teiste akude kasutamine võib põhjustada vigastusi ja tulekahjuohtu.
- c) **Hoidke kasutusel mitteolevad akud eemal kirjaklambritest, müntidest, võtmetest, naeltest, kruvidest või teistest väikestest metallesemetest, mis võivad kontaktid omavahel ühendada.** Akukontaktide vahel tekkiva lühise tagajärjeks võivad olla põletused või tulekahju.
- d) **Väärkasutage korral võib akudevadik välja voolata.** Vältige sellega kokkupuudet. Juhusliku kokkupuute korral loputage kahjustatud kohta veega. Kui vedelik satub silma, pöörduge lisaks arsti poole. Väljavoolav akudevadik võib põhjustada nahaärritusi või põletusi.
- e) **Ärge kasutage akut ega tööriista, mis on kahjustada saanud või mida on modifitseeritud.** Kahjustada saanud või modifitseeritud akud võivad põhjustada tulekahju, plahvatuse, kehavigastusi ja varalisi kahju.
- f) **Kaitske akut ja elektrilist tööriista leekide ja väga kõrgete temperatuuride eest.** Kokkupuude leekidega või üle 130°C temperatuuriga võib põhjustada plahvatuse.
- g) **Järgige kõiki laadimisjuhiseid ja ärge laadige akut väljaspool juhistes määratletud temperatuurivahemikku.** Nõuetele mittevastav laadimine või laadimine väljaspool ettenähtud temperatuurivahemikku võib akut kahjustada ja suurendada tulekahju ohtu.
- 6) TEENINDUS**
- a) **Laske seadet parandada ainult kvalifitseeritud spetsialistidel ja ainult originaalvaruosadega.** Nii tagate seadme püsimise turvalisena.
- b) **Ärge kunagi käidelda kahjustada saanud akusid.** Akusid võivad käidelda vaid tootja esindajad või volitatud hooldekeskuse töötajad.

OHUTUSJUHISED NURKLIHVMAŠINATE KOHTA

1) ÜHISED OHUTUSNÕUDED LIHVIMISEL, LIIVAPABERIGA LIHVIMISEL, TRAATHARJADEGA TÖÖLEMISEL, POLEERIMISEL JA LÖIKAMISEL

- a) **Käesolev elektriline tööriist on ette nähtud lihvimiseks ja löikamiseks.** Järgige kõiki tööriistaga kaasasolevaid hoiatusi, juhiseid, jooniseid ja tehnilisi andmeid. Järgnevalt toodud juhiste eiramise tagajärjeks võib olla elektrilöökk, tulekahju ja/või rasked vigastused.
- b) **Tööriista pole soovivat kasutada liivapaberiga lihvimiseks, traatharjaga harjamiseks või**

poleerimiseks. Tööoperatsioonid, milleks elektritööriist pole ette nähtud, võivad osutada ohtlikuks ja vigastada inimesi.

- c) **Ärge kasutage lisatarvikuid, mis ei ole tootja poolt käesoleva elektrilise tööriista jaoks ette nähtud või soovitatud.** See, et saate lisatarvikut oma tööriista külge kinnitada, ei taga veel tööriista ohutut kasutust.
- d) **Kasutatava tarviku lubatud pöörete arv peab olema vähemalt sama suur nagu elektrilise tööriista maksimaalne pöörete arv.** Tarvik, mis pöörleb lubatud kiiremini, võib puruneda.
- e) **Tarviku läbimõõt ja paksus peavad ühtima elektrilise tööriista mõõtudega.** Valede mõõtmetega tarvikut ei kata kaitse piisaval määral.
- f) **Keermestatud sabaga tarvikud peavad spindli keermega täpselt sobima.** Flantsi abil monteeritavate tarvikute puhul peab tarviku siseava läbimõõt vastama flantsi siseava läbimõõdule. Elektrilise tööriista külge täpselt ja tugevalt kinnitamata tarvikud pöörlevad ebaühtlaselt, vibreerivad tugevasti ja võivad põhjustada kontrolli kaotuse tööriista üle.
- g) **Ärge kasutage vigastatud tarvikuid.** Iga kord enne kasutamist kontrollige, ega lihvketastel ei esine pragusid või murenenud kohti, lihtvaldadel pragusid või kulunud kohti, traatharjadelt lahtisi või murdunud traate. Kui elektriline tööriist või tarvik maha kukub, siis kontrollige, ega see ei ole vigastatud ning vajadusel võtke vigastatud tarviku asemel kasutusele vigastamata tarvik. Kui olete tarviku üle kontrollinud ja kasutusele võtnud, hoidke ennast ja lähedal viibivaid isikuid väljaspool pöörleva tarviku tasandit ja laske tööriistal töötada ühe minuti vältel maksimaalpöoretel. Selle testperioodi jooksul vigastatud tarvikud üldjuhul murduvad.
- h) **Kasutage isikukaitsevahendeid. Kandke vastavalt kasutusotstarbele näokaitsemaski või kaitseprille.** Vajadusel kandke tolmu- ja kaitsemaski, kuulmiskaitsevahendeid, kaitsekindaid või spetsiaalpõlle, mis kaitseb Teid lihvimisel eralduvate väikeste materjaliosakeste eest. Silmi tuleb kaitsta töödeldavast materjalist eralduvate kildude ja võõrkehade eest. Tolmu- ja hingamisteede kaitsemaskid peavad filtreerima tekkiva tolmu. Pikaajaline tugev müra võib kahjustada kuulmist.
- i) **Veenduge, et teised inimesed asuvad tööpiirkonnast ohutus kauguses.** Igaüks, kes tööpiirkonda siseneb, peab kandma isikukaitsevahendeid. Materjalist eralduvad killud või murdunud tarvikud võivad õhku paiskuda ning põhjustada vigastusi ka tööpiirkonnast väljaspool.
- j) **Kui tarvik võib kokku puutuda peidetud juhtmetistikutega, hoidke elektrilist tööriista üksnes isoleeritud haardepindadest.** Tarvik, mis puutub kokku pingestatud juhtmetega, võib pingestada ka elektrilise tööriista katamata metalloosad ja operaator võib saada elektrilöögi.
- k) **Hoidke toitejuhe pöörlevatest tarvikutest eemal.** Kui kaotate kontrolli seadme üle, tekib toitejuhtme läbilöökmise või tarviku poolt kaasahaaramise oht ning Teie käsi võib pöörleva tarvikuga kokku puutuda.
- l) **Pange tööriist käest alles siis, kui tarvik on seisunud.** Pöörlev tarvik võib alusega kokku puutuda, mille tagajärjel võite kaotada kontrolli tööriista üle.

- m) **Ärge transportige töötavat tööriista.** Teie rõivad võivad jääda pöörleva tarviku külge kinni ning tarvik võib tungida Teie kehasse.
- n) **Puhastage regulaarselt tööriista tuulutusavasid.** Töötav mootor tõmbab korpusesse tolmu ning kogunev metallitolm võib vähendada elektrihohtust.
- o) **Ärge kasutage elektrilist tööriista süttivate materjalide läheduses.** Sädemete tõttu võivad taolised materjalid süttida.
- p) **Ärge kasutage tarvikuid, mille puhul on vaja kasutada jahutusvedelikke.** Vee või teiste jahutusvedelike kasutamine võib põhjustada elektrilööki.
- 2) TAGASILÖÖK JA ASJAOMASED OHUTUSJUHISED**
- Tagasilöök on kinnikiildunud pöörlevast tarvikust, näiteks lihvketast, lihvallast, traatharjast vmt põhjustatud järsk reaktsioon. Kinnikiildumine põhjustab pöörleva tarviku äkilise seiskumise. See omakorda tingib seadme kontrollimatu liikumise tarviku pöörlemissuunaga vastupidises suunas.
 - Lihvketta kinnikiildumise tagajärjeks võib olla lihvketta murdumine või tagasilöök. Lihvketas liigub siis sõltuvalt ketta pöörlemissuunast kas tööriista kasutaja suunas või kasutajast eemale. Seejuures võivad lihvketad ka murduda.
 - Tagasilöök on seadme vahe või ebaõige kasutuse tagajärg. Tagasilööki saab sobivate ettevaatusabinõude rakendamisega ära hoida.
- a) **Hoidke elektrilist tööriista tugevasti ja viige oma keha ja käed asendisse, milles saate tagasilöögiõududele vastu astuda. Kasutage alati lisakäepidet, kui see on olemas, et saavutada tagasilöögiõudude üle reaktsoonimomentide üle võimalikult suurt kontrolli.** Seadme kasutaja saab sobivate ettevaatusabinõude rakendamisega tagasilöögi- ja reaktsoonijõudusid kontrollida.
- b) **Ärge viige oma kätt kunagi pöörlevate tarvikute läheduses.** Tarvik võib tagasilöögi puhul riivata Teie kätt.
- c) **Vältige oma kehaga piirkonda, kuhu seade tagasilöögi puhul liigub.** Tagasilööki paiskab seadme lihvketta liikumissuunale vastassuunas.
- d) **Töötage eriti ettevaatlikult nurkade, teravate servade jmt piirkonnas. Vältige tarviku tagasipõrkumist toorikult ja toorikusse kinnijäämist.** Pöörlev tarvik kaldub nurkades, teravates servades ja tagasipõrkumise korral kinni kiilduma. See põhjustab kontrolli kaotuse tööriista üle või tagasilöögi.
- e) **Ärge kasutage kett- ega hammastusega ketast.** Taolised tarvikud põhjustavad tihti tagasilöögi või kontrolli kaotuse seadme üle.
- 3) SPETSIFIILISED OHUTUSJUHISED LIHVIMISEKS JA LÖIKAMISEKS**
- a) **Kasutage üksnes Teie elektrilise tööriista jaoks sobivad lihvimistarvikud ja nende lihvimistarvikute jaoks ette nähtud kettakaitset.** Lihvimistarvikuid, mis ei ole tööriista jaoks ette nähtud, ei kata kaitse piisaval määral ning need on ohtlikud.
- b) **Nõgusa keskosaga lihvketad tuleb paigaldada nii, et nende pind ei ulatu kettakaitse serva tasandist kõrgemale.** Valesti paigaldatud lihvketas, mis ulatub kettakaitse servast kõrgemale, ei ole kettakaitsega piisaval määral kaetud.
- c) **Kettakaitse tuleb paigaldada ja seadistada nii, et tagatud oleks maksimaalne ohutus, s.t, et**

- lihvimistarviku võimalikult väike osa jääks lahtiselt seadme kasutaja poole. Kettakaitse peab seadme kasutajat kaitsma murduvate tükki, lihvimistarvikuga juhuliku kokkupuute ja sädemete eest, mis võivad süüdata riietuse.
- d) **Lihvimistarvikuid tohib kasutada üksnes otstarbel, milleks need on ette nähtud.** Kunagi ei tohi lihvida löikeketta külgpinnaga. Löikekettad on ette nähtud materjali löikamiseks ketta servaga. Külgsuunas avalduvad jõud võivad löikeketta purustada.
- e) **Kasutage alati valitud lihvketta jaoks sobiva suuruse ja kujuga alusseibi.** Sobivad seibid kaitsevad löikekettast ja hoiavad nii ära lihvketta purunemise ohu. Löikeketta seibid võivad teiste lihvketaste seibidest erineda.
- f) **Ärge kasutage suuremate elektriliste tööriistade kasutatud lihvketaid.** Suuremate elektriliste tööriistade lihvketad ei sobi kasutamiseks väiksemate elektriliste tööriistade kõrgemal pöoretel ning võivad murduda.
- 4) TÄIENDAVID SPETSIFIILISED OHUTUSJUHISED LÖIKAMISEKS**
- a) **Vältige löikeketta kinnikiildumist ja ärge avaldage löikekettale liigset survet. Ärge teostage liiga sügavaid löikeid.** Löikekettale avalduv liigne koormus suurendab löikeketta kulumist ja kalduvust kinnikiildumiseks, mistõttu suureneb ka tagasilöögi või lihvketta purunemise oht.
- b) **Vältige pöörleva löikeketta ette ja taha jäävat piirkonda.** Kui juhite löikekettast toorikus endast eemale, võib tööriist koos pöörleva kettaga lennata tagasilöögi korral otse Teie peale.
- c) **Kui löikeketas kinni kiildub või kui Te töö katkestate, lülitage tööriist välja ja hoidke seda enda kontrolli all seni, kuni löikeketas seiskub. Ärge püüdke kunagi veel pöörlevat löikekettast löikejoonest välja tõmmata, kuna vastasel korral võib toimuda tagasilöök.** Tehke kindlaks ja kõrvaldage kinnikiildumise põhjus.
- d) **Ärge lülitage tööriista uuesti sisse, kui see asub veel toorikus. Enne löikeprotsessi ettevaatlikku jätkamist laske löikekettal jõuda maksimaalpöõretele.** Vastasel korral võib löikeketas kinni kiilduda, toorikust välja hüpata või tagasilöögi põhjustada.
- e) **Teostage plaadid ja suured toorikud, et vältida kinnikiildunud löikekettast põhjustatud tagasilöögi ohtu.** Suured toorikud võivad omaenda raskuse all murduda. Toorik tuleb toetada mõlemalt poolt, nii löikejoone lähedalt kui servast.
- f) **Olge eriti ettevaatlik sisselõigete tegemisel olemasolevatesse seintesse või teistesse varjatud piirkondadesse.** Löikeketas võib tabada gaasi- või veetorusid, elektrijuhtmeid või teisi objekte, mille tagajärjeks võib olla tagasilöök.

TÄIENDAVID OHUTUSJUHISED

ÜLDIST

- Tööriist ei sobi märglihvimiseks-/löikamiseks
- Kasutage üksnes tööriistaga kaasasolevaid seibe
- Tööriista kasutaja peab olema vähemalt 16 aastat vana
- **Enne tööriista reguleerimist või tarvikute vahetust võtke aku välja**

TARVIKUD

- SKIL tagab seadme häireteta töö üksnes originaaltarvikute kasutamisel
- Teiste tootjate tarvikute kasutamisel järgige valmistaja antud juhiseid
- **Kasutage vaid lihvimis-/löikeketaid, mille paksus on kuni 6 mm ja spindliava diameeter kuni 22 mm**
- Ärge kasutage kahandusdetailide ega adaptereid, et sobitada seadmele suurema avaga lihvimis-/löikeketaid
- Ärge kasutage suletud keermega tarvikuid, mille keermee suurus jääb alla M14 x 21 mm
- Lihvimis-/löikeketastega tuleb ettevaatlikult ümber käia, et vältida kildude eraldumist ja pragude teket

ENNE KASUTAMIST

- Enne tööriista esmakordset kasutamist on soovitatav küsida praktilisi näpunäiteid
- Paigaldage alati lisakäepide E ② ja kettakaitse F ②; ärge kasutage tööriista ilma nendeta
- **Varjatult paiknevate elektrijuhtmete, gaasi- või veetorude avastamiseks kasutage sobivaid otsimiseseadmeid või pöörduge kohaliku elektri-, gaasi- või vee-ettevõtte poole** (kokkupuutel elektrijuhtmetega tulekahju- ja elektrilöögioht; gaasitorustiku vigastamisel plahvatusoht; veetorustiku vigastamisel materiaalne kahju või elektrilöögioht)
- **Asbestisaldava materjali töötlemine on keelatud** (asbest võib tekitada vanki)
- Värviga kaetud juhtmed, mõned puiduliigid, mineraalid ja metall eraldavad tolmu, mis võib olla kahjulik (kokkupuude tolmu või selle sissehingamine võib seadme kasutajal või läheduses viibivatel inimestel põhjustada allergilisi reaktsioone ja/või hingamisteede haigusi); **kandke tolumumaski ja vajaduse korral töötage külgeühendatava tolmuemaldusseadmega**
- Teatud tüüpi tolm on klassifitseeritud kantserogeensena (nt tammest ja kasest eralduv tolm), eriti koos puidu niiskuse reguleerimiseks kasutatavate lisanditega; **kandke tolumumaski ja vajaduse korral töötage külgeühendatava tolmuemaldusseadmega**
- Erinevate materjalide töötlemisel tekkinud tolmu käitlemisel tuleb järgida kehtivaid nõudeid
- Soonte freesimisel tuleb olla ettevaatlik, eriti kandeseinte puhul (kandeseintes tehtavate soonte kohta kehtivad konkreetsed riigi eeskirjad; nendest eeskirjadest tuleb igal juhul kinni pidada)
- **Fikseerige toorik** (fiksaatoriga kinnitatud või kruustangide vahele pandud toorik püsib kindlalt paigal kui lihtsalt käega hoides)
- Ärge kinnitage tööriista pitskrüviga

KASUTAMISE AJAL

- Seadme elektrilise või mehhaanilise häire korral lülitage seade viivitamatult välja ja eemaldage aku
- Kui ühendus akuga on katkestatud või on aku eemaldatud, ei saa tööriist iseenesest taaskäivituda; taaskäivitamiseks tuleb sisse-/väljalüliti deblkkeerida ja tööriist uuesti sisse lülitada ①

PÄRAST KASUTAMIST

- Keelatud on pidurdada tarvikuid pärast tööriista väljalülitamist külgsurvega

AKUD

- **Kaasasolev aku on osaliselt laetud** (aku täisjäundluse tagamiseks laadige aku enne elektrilise tööriista esimest kasutamist akulaadimis korralikult täis)
- **Kasutage selle tööriistaga ainult järgmised akusid ja laadijaid**
 - SKILi aku: BR1*31****
 - SKILi laadija: CR1*31****

- Ärge kasutage kahjustatud akusid, vaid vahetage need välja
- Ärge võtke akut lahti
- Ärge jätke tööriista/akut vihma kätte
- Ümbritseva keskkonna lubatud temperatuur (tööriista/laadijat/akut):
 - laadimisel 4...40°C
 - töötamisel -20...+50°C
 - säilitamisel -20...+50°C

TÖÖRIISTA/AKUL OLEVATE SÜMBOLITE SELGITUS

- ③ Enne kasutamist tutvuge kasutusjuhendiga
- ④ Kandke kaitseprille ja kõrvaklappe
- ⑤ Tulle visatud akud plahvatavad, seepärast ei tohi akut mingil põhjusel põletada
- ⑥ Hoidke tööriista/laadijat/akut toatemperatuuril vahemikus 0° kuni 50°C
- ⑦ Ärge visake kasutusõlmatuks muutunud elektrilisi tööriistu ja patareisid ära koos olmejäätmetega

KASUTAMINE

- Aku laadimine
 - ! lugege laadijaga kaasasolevaid ohutushoiatusi ja juhiseid
 - Aku eemaldamine/paigaldamine ②
 - Aku laetuse astme näidik ⑧
 - vajutage aku täitetaseme nuppu L, et kuvada praegune aku täitetaseme ⑧a
 - ! kui aku laetuse indikaatori madalaim tase hakkab vilkuma, vajutades nupuke L ⑧b, on aku tühi
 - ! kui 2 tasemed aku laetuse indikaatoril hakkavad vilkuma, vajutades nupule L ⑧c, ei ole aku selle lubatud töötemperatuuri vahemikus
- Aku kaitse
 - Tööriist lülitatakse järsku välja või takistatakse selle sisselülitamist, kui
 - **koormus on liiga suur** --> eemaldage koormus ja taaskäivitage
 - **Aku temperatuur ei ole lubatud töötemperatuuri vahemikus -20 kuni +50 °C** --> 2 aku laetuse taseme indikaatorid hakkavad vilkuma, kui vajutatakse nuppu L ⑧c; oodake, kuni aku naaseb lubatud töötemperatuuri vahemikku
 - **aku on peaaegu tühi (et kaitsta täieliku tühjenemise eest)** --> madal akutase või vilkuv madal akutase ⑧b kuvatakse aku laetuse astme indikaatoril, vajutades nupule L; laadige akut
 - ! ärge vajutage enam lülilite (sisse/välja), kui tööriist on end automaatselt välja lülitanud, sest see võib akut kahjustada
- Tarviku paigaldamine ②
 - ! eemaldage aku seadmist
 - puhastage spindel A ja kõik monteeritavad osad
 - pingutage kinnitusmutter B võtme C abil, vajutades samal ajal spindlilukustusnupule D
 - ! spindlilukustusnupule D tohib vajutada ainult siis, kui spindel A seisab
 - tarviku eemaldamiseks toimige vastupidises järjekorras
 - ! lihvimis-/löikekettad muutuvad kasutamisel väga kuumaks; ärge puudutage neid enne, kui need on maha jahtunud
 - ! ärge kasutage lihvimis-/löikeketast ilma sildita, mis on kinnitatud liimiga (kui see on olemas)

- Lisakäepideme paigaldamine E ⑨
! **eemaldage aku seadmist**
- lisakäepidet E on võimalik kruvida tööriista paremale või vasakule küljele või ülemisele pinnale (sõltuvalt tehtavast tööst)
- Kettakaitse eemaldamine/paigaldamine/reguleerimine F ⑩
! **eemaldage aku seadmist**
! **veenduge, et kettakaitse suletud külg on alati kasutaja poole**
- vastavalt vajadusele keerake kettakaitse F reguleerimiseks kinni kruvi G – see on tehases eelseadistatud (jälgige, et kettakaitse lukustushoob oleks suletud asendis)
- Enne tööriista kasutamist
- veenduge, et tarvik on õigesti paigaldatud ja kindlalt kinnitatud
- kontrollige paigaldatud tarviku vaba liikumist, pöörates seda käega
- proovijooksuks laske tööriistal turvalises asendis vähemalt 60 sekundit maksimumkiirusel ilma koormuseta töötada
- tugeva vibratsiooni või muu defekti korral lülitage tööriist viivitamatult välja ja selgitage välja tõrke võimalik põhjus
- Sisse/välja lukustusnupp J ⑪
- lülitage seade sisse ⑪a
! **seadme sisselülitamise kaasneb järsk nõksatus**
! **enne tarviku kokkupuutumist töödeldava esemega peab seade olema saavutanud maksimaalsed pöörded**
- lüliti fikseerimine ⑪b
- fikseeringu vabastamine/tööriista väljalülitamine ⑪c
! **enne tööriista väljalülitamist tuleb see töödeldavalt esemelt eemaldada**
! **pärast tööriista väljalülitamist pöörleb tarvik mõne sekundi jooksul edasi**
- Lõikamine ⑫
- liigutage tööriista mõõduka survega edasi-tagasi
! **lõikeketast ei tohi kasutada külglühvimiseks**
- Lihvimine ⑬
- lihvimisel ei tohi tarvikut painutada
- liigutage tööriista pidevalt tööriista esiosal oleva noole suunas, et vältida selle kontrollimatut haardealast väljasurumist
- ärge suruge tööriistale liiga suure survega; laske lõikeketta kiirusel enda heaks töötada
- lõikeketta tööpöörde arv sõltub lõigatavast materjalist
- ärge pidurdage lõikekettaid külgsurvega
- Tööriista hoidmine ja juhtimine
- hoidke tööriista kahe käega, et see oleks kogu aeg Teie kontrolli all
! **töötamise ajal hoidke tööriista kinni korpuse ja käepideme halli värvi osadest** ⑭
- võtke stabiilne tööasend
- jälgige pöörlemis-suunda; hoidke tööriista nii, et sädemed ja lihvimis-/lõikamistolm lendavad Teie kehast eemale
- hoidke õhutusavad K ② kinnikatmata
- Mutrivõtme C ⑮ paigaldamine/eemaldamine
- kehtib ainult juhul, kui tööriista kasutatakse lisakäepidemega, millesse on integreeritud mutrivõtme hoidik

TÖÖJUHISED

- Lisateavet lugege aadressilt www.skil.com

HOOLDUS/TEENINDUS

- Tööriist pole mõeldud professionaalseks kasutamiseks
- Hoidke tööriist alati puhtana (eriti ventilatsioonivad K ②)
! **enne puhastamist eemaldage tööriistast aku**
- Tööriist on hoolikalt valmistatud ja testitud; kui tööriist sellest hoolimata rikki läheb, tuleb see lasta parandada SKILi elektriliste käsitööriistade volitatud remonditöökojas
- toimetage **lahitmonteerimata** seade koos ostukviitungiga tarnijale või lähimasse SKILi lepingulisse töökotta (aadressid ja tööriista varuosade joonise leiate aadressil www.skil.com)
- Arvestage sellega, et garantii ei hõlma seadme ülekoormamisest või ebaõigest käsitsemisest tulenevaid kahjustusi (teavet SKILi garantiitingimuste kohta vaadake veebilehel www.skil.com või küsige kohalikult müügiesindajalt)

KESKKOND

- **Ärge visake kasutuskõlmatuks muutunud elektrilisi tööriistu, patareisid, lisatarvikuid ja pakendeid ära koos olmejäätmetega** (üksnes EL liikmesriikidele)
- vastavalt Euroopa Parlamendi ja nõukogu direktiivile 2012/19/EÜ elektri- ja elektroonikaseadmete jäätmete kohta ning direktiivi nõuete kohaldamisele liikmesriikides tuleb kasutuskõlmatuks muutunud elektrilised tööriistad koguda eraldi ja keskkonnasäästlikult korduvkasutada või ringlusse võtta
- seda meenutab Teile sümbol ⑦
! **enne aku kahjutustamist katke selle otsad kaitseks tugeva teibiga, et vältida lühisahela teket**

MÜRA / VIBRATSIOON

- **3920**
Standardiga EN 60745 kooskõlas mõõdetud tööriista helirõhu tase on 80,5 dB(A) ja helivõimsuse tase 91,5 dB(A) (määramatus K = 3 dB), ja vibratsioon pinna lihvimisel 5,5 m/s² (ruumiliste vektorite summa; mõõtemääramatus K = 1,5 m/s²)
! **teised kasutusviisid (nagu lõikamine) võivad tekitada erineva tugevusega vibratsiooni**
- **3921**
Standardiga EN 60745 kooskõlas mõõdetud tööriista helirõhu tase on 80,0 dB(A) ja helivõimsuse tase 91,0 dB(A) (määramatus K = 3 dB), ja vibratsioon pinna lihvimisel 4,3 m/s² (ruumiliste vektorite summa; mõõtemääramatus K = 1,5 m/s²)
! **teised kasutusviisid (nagu lõikamine) võivad tekitada erineva tugevusega vibratsiooni**
- Tekkiva vibratsiooni tase on mõõdetud vastavalt standardis EN 60745 kirjeldatud standarditule; seda võib kasutada tööriistade võrdlemiseks ja tööriista kasutamisel ettenähtud töödeks esineva vibratsiooni esialgseks hindamiseks
- tööriista kasutamisel muudeks rakendusteks või teiste/halvasti hooldatud tarvikute kasutamisel võib vibratsioon märkimisväärselt **suurened**

- ajal, kui tööriist on vājpalūlītātud vōi on kūll sisselūlītātud, kuid tegelikult seda ei kasutata, vōib vibrātsioon mārķimisvāārselt **vāheneda**!
- enda kaitsmīseks vibrātsiooni eest hooldage tōōriista ja selle tarvikuid korralikult, hoidke oma kāēd soojad ja tagage sujuv tōōkorraldus**

LV

Bezvadū lenķa slīpmašīna 3920/3921

IEVADS

- Šis instruments ir paredzēts **viegliem** metāla un mūrējumu slīpēšanas, griešanas un rupjās slīpēšanas darbiem, izmantojot sausās apstrādes metodes
- Šis darbarīks nav paredzēts profesionālai lietošanai
- **Ļaujiet, lai instruments griešanu veic brīvi, neizdariet uz to lielu spiedienu**
- **Griešana ar abrazīvajiem griezējdiskiem atļauta tikai tad, ja tiek lietots griezējdiska aizsargs (pieejams kā SKIL papildaprīkojums 2610S00253 (3920) / 2610S00275 (3921))**
- Izlasiet un saglabājiet šo pamācību ③

TEHNISKIE PARAMETRI ①

INSTRUMENTA ELEMENTI ②

- A Darbvārpsta
- B Piespiedējuzgrieznis
- C Uzgriežņu atslēga
- D Darbvārpstas fiksācijas poga
- E Papildrokturis
- F Drošības aizsargs
- G Aizsargs skrūve
- H Atbalsta paplāksne
- J Ieslēdzējs ar fiksāciju
- K Ventilācijas atveres
- L Akumulātoru uzlādes pakāpes indikators
- M Drošības aizsargsvira

DROŠĪBA

VISPĀRĒJIE NOTEIKUMI ELEKTROINSTRUMENTU DROŠAI LIETOŠANAI

BRĪDINĀJUMS Iepazīstieties ar visiem šī elektroinstrumenta drošas lietošanas noteikumiem, norādījumiem, attēliem un specifikācijām. Visu turpmāk sniegto norādījumu neizpildes rezultātā lietotājs var ciest no elektrošoka, var izvērsties ugunsnelaime un/vai rasties smagi ievainojumi.

Saglabājiet visus noteikumus un norādījumus turpmākai atsaucēi.

Noteikumos minētais termins "elektroinstruments" nozīmē ar strāvu darbināmu (ar vadu aprīkotu) vai ar akumulatoru darbināmu (bezvadū) elektroinstrumentu.

1) DROŠĪBA DARBA VIETĀ

- a) **Sekojet, lai darba vieta būtu tīra un sakārtota.** Nekārtīgā darba vietā vai sliktā apgaismojumā var viegli notikt nelaimes gadījums.

- b) **Nelietojiet elektroinstrumentu eksplozīvu vai ugunsnedrošu vielu tuvumā un vietās ar paaugstinātu gāzes vai putekļu saturu gaisā.** Darba laikā instruments nedaudz dzirksteļo, un tas var izsaukt viegli degošu putekļu vai tvaiku aizdegšanos.
- c) **Lietojot elektroinstrumentu, neļaujiet nepiederošām personām un jo īpaši bērniem tuvojties darba vietai.** Citu personu klātbūtne var novērst uzmanību, un tā rezultātā jūs varat zaudēt kontroli pār instrumentu.

2) ELEKTRODROŠĪBA

- a) **Elektroinstrumenta kontaktdakšai jābūt piemērotai elektroītkla kontaktligzdai. Kontaktdakšas konstrukciju nedrīkst nekādā veidā mainīt. Nelietojiet kontaktdakšas salāgotājus, ja elektroinstruments caur kabeli tiek savienots ar aizsargzemējuma ķēdi.** Neizmainītas konstrukcijas kontaktdakša, kas piemērota kontaktligzdai, ļauj samazināt elektriskā trieciena saņemšanas risku.
- b) **Darba laikā nepieskarieties saņemtiem priekšmetiem, piemēram, caurulēm, radiatoriem, plītim vai ledusskapjiem.** Pieskaroties saņemtiem virsmām, pieaug risks saņemt elektrisko triecienu.
- c) **Nelietojiet elektroinstrumentu lietus laikā, neturiet to mitrumā.** Mitrumam iekļūstot instrumentā, pieaug risks saņemt elektrisko triecienu.
- d) **Nenesiet un nepiekariet elektroinstrumentu aiz elektrokabeļa. Neraujiet aiz kabeļa, ja vēlaties atvienot instrumentu no elektroītkla kontaktligzdas. Sargājiet elektrokabeļi no karstuma, eļļas, asām šķautnēm un instrumenta kustīgajām daļām.** Bojāts vai samezglējies elektrokabeļis var būt par cēloni elektriskajam triecienam.
- e) **Darbinot elektroinstrumentu ārpus telpām, izmantojiet tā pievienošanai vienīgi tādus pagarinātājkabeļus, kuru lietošana ārpus telpām ir atļauta.** Lietojot elektrokabeļi, kas piemērots darbam ārpus telpām, samazinās risks saņemt elektrisko triecienu.
- f) **Ja elektroinstrumentu tomēr nepieciešams lietot vietās ar paaugstinātu mitrumu, izmantojiet tā pievienošanai noplūdes strāvas aizsargreleju.** Lietojot noplūdes strāvas aizsargreleju, samazinās risks saņemt elektrisko triecienu.

3) PERSONISKĀ DROŠĪBA

- a) **Darba laikā saglabājiet paškontroli un rīkojieties saskaņā ar veselo saprātu. Pārtrauciet darbu, ja jūtaties noguris vai atrodaties alkohola, narkotiku vai medikamentu izraisītā reibumā.** Strādājot ar elektroinstrumentu, pat viens neuzmanības mirklis var būt par cēloni nopietnam savainojumam.
- b) **Izmantojiet individuālos darba aizsardzības līdzekļus un darba laikā vienmēr nēsājat aizsargbrilles.** Individuālo darba aizsardzības līdzekļu (putekļu maskas, neslidošu apavu un aizsargķiveres vai ausu aizsargu) pielietošana atbilstoši elektroinstrumenta tipam un veicamā darba raksturam ļauj izvairīties no savainojumiem.
- c) **Nepieļaujiet elektroinstrumenta patvaļīgu ieslēgšanos. Pirms elektroinstrumenta pievienošanas elektroītklam, akumulatora ievietošanas vai izņemšanas, kā arī pirms elektroinstrumenta pārņemšanas pārlicinieties, ka tas ir izslēgts.** Pārnesot elektroinstrumentu, ja

- pirksts atrodas uz ieslēdzēja, kā arī pievienojot to elektrobarošanas avotam laikā, kad elektroinstrumentis ir ieslēgts, var viegli notikt nelaimes gadījums.
- d) **Pirms instrumenta ieslēgšanas neaizmirstiet izņemt no tā regulējošos instrumentus vai skrūvjatslēgas.** Patronatslēga vai skrūvjatslēga, kas instrumenta ieslēgšanas brīdī nav izņemta no tā, var radīt savainojumu.
 - e) **Strādājot ar elektroinstrumentu, ieturiet stingru stāju.** Darba laikā vienmēr saglabājiet līdzsvaru un centieties nepasliktēt. Tas atvieglos instrumenta vadību neparedzētās situācijās.
 - f) **Izvēlieties darbam piemērotu apģērbu.** Darba laikā nenēsājiet brīvi plandošas drēbes un rotaslietas. Netuviniet garus matus un drēbes elektroinstrumenta kustīgajām daļām. Vaļīgas drēbes, rotaslietas un gari mati var iekerties instrumenta kustīgajās daļās.
 - g) **Ja elektroinstrumenta konstrukcija ļauj tam pievienot ārējo putekļu uzsūkšanas vai savākšanas/uzkrāšanas ierīci, sekojiet, lai tā tiktu pievienota elektroinstrumentam un pareizi darbotos.** Pielietojot putekļu uzsūkšanu vai savākšanu/uzkrāšanu, samazinās to kaitīgā ietekme uz strādājošās personas veselību.
 - h) **Nepaļaujieties uz iemaņām, kas tiek iegūtas, bieži lietojot instrumentus, neieslīgstiet pašapmierinātībā un neignorējiet instrumenta drošas lietošanas principus.** Neuzmanīgas rīcības dēļ dažās sekundes daļās var gūt nopietnu savainojumu.
- #### 4) ELEKTROINSTRUMENTU LIETOŠANA UN APKOPE
- a) **Nepārslogojiet elektroinstrumentu.** Katram darbam izvēlieties piemērotu instrumentu. Elektroinstrumentus darbosies labāk un drošāk pie nominālās slodzes.
 - b) **Nelietojiet elektroinstrumentu, ja ir bojāts tā ieslēdzējs.** Elektroinstrumentus, ko nevar ieslēgt un izslēgt, ir bīstams lietošanai un to nepieciešams remontēt.
 - c) **Pirms elektroinstrumenta apkopes, regulēšanas vai darbinstrumenta nomainīšanas atvienojiet tā kontaktdakšu no barojošā elektrotīkla vai izņemiet no tā akumulatoru, ja tas ir izņemams.** Šādi iespējams samazināt elektroinstrumenta nejausības ieslēgšanās risku.
 - d) **Elektroinstrumentu, kas netiek darbināts, uzglabājiet piemērotā vietā, kur tas nav sasniedzams bērniem un personām, kuras neprot rīkoties ar instrumentu.** Ja elektroinstrumentu lieto nekompetentas personas, tas var apdraudēt cilvēku veselību.
 - e) **Savlaicīgi apkalpojiet elektroinstrumentus un to piederumus.** Pārbaudiet, vai kustīgās daļas darbojas bez traucējumiem un nav iespīlētas, vai kāda no daļām nav salauzta vai bojāta, vai katra no tām pareizi funkcionē un pilda tai paredzēto uzdevumu. Nodrošiniet, lai bojātās daļas tiktu savlaicīgi nomainītas vai remontētas pilnvarotā remontu darbnīcā. Daudzi nelaimes gadījumi notiek tāpēc, ka elektroinstrumentus pirms lietošanas nav pienācīgi apkalpoti.
 - f) **Savlaicīgi notīriet un uzasiniet griezošos darbinstrumentus.** Rūpīgi kopti instrumenti, kas apgādāti ar asiem griežējinstrumentiem, ļauj strādāt daudz ražīgāk un ir vieglāk vadāmi.
- g) **Lietojiet vienīgi tādus elektroinstrumentus, papildpiederumus, darbinstrumentus utt., kas paredzēti attiecīgajam pielietojuma veidam. Bez tam jāņem vērā arī konkrētie darba apstākļi un pielietojuma īpatnības.** Elektroinstrumentu lietošana citiem mērķiem, nekā to ir paredzējusi ražotājfirma, ir bīstama un var novest pie neparedzamām sekām.
 - h) **Uzturiet elektroinstrumenta rokturus un noturvirsmas sausas un tīras, sargājiet tās no eļļas un smērvielām.** Slideni rokturi un noturvirsmas traucē efektīvi rīkoties ar elektroinstrumentu un to droši vadīt neparedzētās situācijās.
- #### 5) AKUMULATORA ELEKTROINSTRUMENTU LIETOŠANA
- a) **Akumulatora uzlādei lietojiet tikai tādu uzlādes ierīci, ko ir ieteikusi elektroinstrumenta ražotājfirma.** Katra uzlādes ierīce ir paredzēta tikai noteikta tipa akumulatoram, un mēģinājums to lietot cita tipa akumulatoru uzlādei var novest pie uzlādes ierīces un/ vai akumulatora aizdegšanās.
 - b) **Pievienojiet elektroinstrumentam tikai tādu akumulatoru, ko ir ieteikusi instrumenta ražotājfirma.** Cita tipa akumulatoru lietošana var novest pie elektroinstrumenta un/ vai akumulatora aizdegšanās.
 - c) **Laikā, kad akumulators ir atvienots no elektroinstrumenta, nepieļaujiet, lai tā kontakti saskartos ar spraudnēm, monētām, atslēgām, naglām, skrūvēm vai citiem nelīdīgiem metāla priekšmetiem, kas varētu izraisīt īsslēgumu.** Īsslēgums starp akumulatora kontaktiem var izsaukt tā aizdegšanos un būt par cēloni ugunsgrēkam.
 - d) **Nepareizi lietojot akumulatoru, no tā var izplūst šķidrās elektrolīts. Nepieļaujiet, ka elektrolīts nonāktu saskarē ar ādu. Ja tas tomēr nejauši ir noticis, noskalojiet elektrolītu ar ūdeni. Ja elektrolīts nonāk acīs, nekavējoties griezieties pie ārsta. No akumulatora izplūdušais elektrolīts var izsaukt ādas iekaisumu vai pat apdegumu.**
 - e) **Nelietojiet akumulatoru vai elektroinstrumentu, ja tas ir bojāts vai modificēts.** Bojāti vai modificēti akumulatori var radīt neparedzētās situācijas, kuru rezultātā var notikt aizdegšanās vai sprādziens, kā arī var rasties savainojuma risks.
 - f) **Neturiet elektroinstrumentu vai akumulatoru uguns tuvumā vai vietā ar augstu temperatūru.** Elektroinstrumenta vai akumulatora atrašanās uguns tuvumā vai vietā, kur temperatūra pārsniedz 130°C, var izraisīt sprādzienu.
 - g) **Levērrojiet visas uzlādes instrukcijas un neuzlādējiet akumulatoru vai elektroinstrumentu pie temperatūras, kas atrodas ārpus instrukcijā norādīto pieļaujamo temperatūras vērtību diapazona robežām.** Uzlādējot akumulatoru neatbilstošā veidā vai pie temperatūras, kas atrodas ārpus pieļaujamo temperatūras vērtību diapazona robežām, tas var tikt bojāts, kā arī var pieaugt aizdegšanās risks.
- #### 6) APKALPOŠANA
- a) **Nodrošiniet, lai Instrumenta remontu veiktu kvalificēts personāls, nomainībai izmantojot oriģinālās rezerves daļas un piederumus.** Tikai tā iespējams panākt instrumenta ilgstošu un nevainojamu darbību bez atteikumiem.

- b) **Nekādā gadījumā neveiciet bojātu akumulatoru apkalpošanu.** Akumulatoru apkalpošanu drīkst veikt tikai ražotājfirmai vai pilnvarots servisa speciālists.

DROŠĪBAS NOTEIKUMI DARBAM AR LENĶA SLĪPMAŠĪNU

1) KOPĒJIE DROŠĪBAS NOTEIKUMI SLĪPĒŠANAI, SLĪPĒŠANAI AR SMILŠPAPIĀRA LOKSNI, DARBAM AR STIEPĻU SUKU, PULĒŠANAI UN GRIEŠANAI

- a) **Šis elektroinstruments ir lietojams kā slīpmašīna, kas piemērota arī griešanai. Nemiet vērā visas elektroinstrumentam pievienotās instrukcijas, norādījumus, attēlus un citu informāciju.** Turpmāk sniegto norādījumu neievērošana var kļūt par cēloni elektriskajam triecienam, ugunsgrēkam un/vai smagam savainojumam.
- b) **Šis elektroinstruments nav ieteicams izmantot slīpēšanai ar smilšpapiāra loksni, virsmu attīrīšanai ar stieples suku vai pulēšanai.** Tādu darbību veikšana, kurām šis darbinstruments nav paredzēts, var nodarīt kaitējumu un izraisīt savainojumus.
- c) **Neizmantojiet piederumus, kurus ražotājfirma nav paredzējusi šim elektroinstrumentam un ieteikusi lietošanai kopā ar to.** Iespēja nostiprināt piederumu uz elektroinstrumenta vēl negarantē tā drošu lietošanu.
- d) **Darbinstrumentu pieļaujamajam griešanās ātrumam jābūt ne mazākam par elektroinstrumenta maksimālo griešanās ātrumu.** Piederumi, kas griežas ātrāk, nekā tas ir pieļaujams, var tikt bojāti.
- e) **Darbinstrumentu ārējam diametram un biežumam jāatbilst elektroinstrumenta konstrukcijai un izmēriem.** Ja darbinstrumenta izmēri ir izvēlēti nepareizi, tas pilnībā nenovietojas zem aizsarga un darba laikā apgrūrina instrumenta vadību.
- f) **Darbinstrumentiem, kas stiprināmi ar vītnes palīdzību, stipriņošanai vītnē precīzi jāatbilst slīpmašīnas darbvārpstas vītnē.** Darbinstrumentiem, kas stiprināmi ar balstaplāksnes palīdzību, atvēruma diametram jāatbilst balstaplāksnes stipriņošanai pacēluma diametram. Darbinstrumenti, kas nav precīzi nostiprināti uz elektroinstrumenta darbvārpstas, nevienmērīgi griežas, ļoti spēcīgi vibrē un var izraisīt kontroles zaudēšanu pār elektroinstrumentu.
- g) **Neizmantojiet bojātus darbinstrumentus. Ik reizi pirms darbinstrumentu lietošanas pārbaudiet, vai tie nav bojāti, piemēram, vai slīpēšanas diski nav atslāņojušies vai ielaijušies, vai slīpēšanas pamatnē nav vērojamas plaisas un vai stieplju suku veidojošās stieples nav vaļīgas vai atlūzušas.** Ja elektroinstruments vai darbinstruments ir kritis no zināma augstuma, pārbaudiet, vai tas nav bojāts, vai arī izmantojiet darbam nebojātu darbinstrumentu. Pēc darbinstrumenta apskates un iestiprināšanas ļaujiet elektroinstrumentam darboties ar maksimālo griešanās ātrumu vienu minūti ilgi, turot rotējošo darbinstrumentu drošā attālumā no sevis un citām tuvumā esošajām personām. Bojātie darbinstrumenti šādas pārbaudes laikā parasti salūst.
- h) **Lietojiet individuālos darba aizsardzības līdzekļus.** Atkarībā no veicamā darba rakstura izvēlieties pilnu sejas aizsargu, noslēdzošās aizsargbrilles

- vai parastās aizsargbrilles. Lai aizsargātos no lidojošajām slīpēšanas darbinstrumenta un apstrādājamā materiāla daļiņām, pēc vajadzības lietojiet putekļu aizsargmasku, ausu aizsargus un aizsargcimdus vai arī īpašu priekšautu. Lietotāja acis jāpasargā no lidojošajiem svešķermeņiem, kas dažkārt rodas darba gaitā. Putekļu aizsargmaskai vai respiratoram jāpasargā lietotāja elpošanas ceļi no putekļiem, kas veidojas darba laikā. Ilgstoši iedarbojoties stipram troksnim, var rasties paliekoši dzirdes traucējumi.
- i) **Sekojiet, lai citas personas atrastos drošā attālumā no darba vietas. Ikvienam, kas atrodas darba vietas tuvumā, jālieto individuālie darba aizsardzības līdzekļi.** Apstrādājamā priekšmeta atlūzas vai salūzuša darbinstrumenta daļas var lidot ar ievērojamu ātrumu un nodarīt kaitējumu cilvēku veselībai arī zināmā attālumā no darba vietas.
- j) **Veicot darbu, kura laikā darbinstruments var skart slēptus elektriskos vadus, turiet elektroinstrumentu tikai aiz izolētajām virsmām.** Darbinstrumentam skart spriegumnesošus vadus, spriegums nonāk arī uz instrumenta metāla daļām un var izraisīt elektrotriecienu.
- k) **Netuviniet rotējošu darbinstrumentu elektrokabelim.** Zūdot kontrolei pār instrumentu, darbinstruments var pārgriezt kabeli vai iekerties tajā, kā rezultātā lietotāja roka var saskarties ar rotējošo darbinstrumentu.
- l) **Novietojiet elektroinstrumentu, kamēr tajā iestiprinātais darbinstruments nav pilnīgi apstājies.** Rotējošais darbinstruments var skart atbalsta virsmu, kā rezultātā elektroinstruments var kļūt nevadāms.
- m) **Nedarbiniet elektroinstrumentu laikā, kad tas tiek pārnests.** Lietotāja apģērbs vai mati var nejauši nonākt saskarē ar rotējošo darbinstrumentu un iekerties tajā, izsaucot darbinstrumenta saskaršanos ar lietotāja ķermeni.
- n) **Regulāri tīriet elektroinstrumenta ventilācijas atveres.** Dzinēju ventilējošā gaisa plūsma ievēl putekļus instrumenta korpusā, bet liela metāla putekļu daudzuma uzkrāšanās var būt par cēloni elektrotraumai.
- o) **Nelietojiet elektroinstrumentu ugunsdrošu materiālu tuvumā.** Lidojošās dzirksteles var izsaukt šādu materiālu aizdegšanos.
- p) **Nelietojiet darbinstrumentus, kuriem jāpievada dzesējošais šķidrums.** ūdens vai citu šķidro dzesēšanas līdzekļu izmantošana var būt par cēloni elektriskajam triecienam.
- 2) ATSIITIENS UN AR TO SAISTĪTIE NORĀDĪJUMI**
- Atsiitiens ir specifiska instrumenta reakcija, pēkšņi iekeroties vai iestrēgstot rotējošam darbinstrumentam, piemēram, slīpēšanas diskam, slīpēšanas pamatnei, stieplju sukai u.t.t. Rotējoša darbinstrumenta iekēršanās vai iestrēgšana izsauca tā pēkšņu apstāšanos. Tā rezultātā darbinstruments pārvietojas virzienā, kas pretējs darbinstrumenta kustības virzienam iestrēguma vietā, un nereti kļūst nevadāms.
 - Ja, piemēram, slīpēšanas diska iekēras vai iestrēgst apstrādājamajā priekšmetā, tajā iegremdētā diska mala var izrūties no apstrādājamā materiāla vai izraisīt atsiitienu. Šādā gadījumā slīpēšanas diska pārvietojas lietotāja virzienā vai arī prom no viņa, atkarībā no diska rotācijas virzienu attiecībā pret apstrādājamo priekšmetu. Turklāt slīpēšanas diska var salūst.
 - Atsiitiens ir sekas elektroinstrumenta nepareizai vai neprasmīgai lietošanai. No tā var izvairīties, ievērojot

zināmus piesardzības pasākumus, kas aprakstīti turpmākajā izklāstā.

- a) **Stingri turiet elektroinstrumentu un ieņemiet tādu ķermeņa un roku stāvokli, kas vislabāk ļautu pretoties atsitienu spēkam.** Vienmēr izmantojiet papilddrokturi, kas ļauj optimāli kompensēt atsitienu vai reaktīvo griezes momentu un saglabāt kontroli pār instrumentu. Veicot zināmus piesardzības pasākumus, lietotājs jebkurā situācijā spēj efektīvi pretoties atsitienu un reaktīvajam griezes momentam.
 - b) **Netuviniet rokas rotējošam darbinstrumentam.** Atsitienu gadījumā darbinstruments var saskarties ar lietotāja roku.
 - c) **Izvaiieties atrasties vietā, kurp varētu pārvietoties elektroinstrumenta, notiekot atsitienu.** Atsitienu gadījumā elektroinstrumenta pārvietošanās virzienā, kas pretējs darbinstrumenta kustības virzienam iestrēguma vietā.
 - d) **Ievērojiet īpašu piesardzību, strādājot stūru un asu malu tuvumā. Nepieļaujiet, lai darbinstrumenta atlektu no apstrādājamā priekšmeta vai iestrēgtu tajā.** Saskaroties ar stūriem vai asām malām rotējošais darbinstruments izliecas un atlec no apstrādājamā priekšmeta vai iestrēgst tajā. Tas var būt par cēloni kontroles zaudēšanai pār instrumentu vai atsitienu.
 - e) **Nelietojiet zāga asmeņus, kas apgādāti ar zobiem un/vai ir paredzēti koka zāgēšanai.** Šādu darbinstrumentu izmantošana var būt par cēloni atsitienu vai kontroles zaudēšanai pār elektroinstrumentu.
- 3) ĪPAŠIE DROŠĪBAS NOTEIKUMI, VEICOT SLĪPĒŠANU UN ABRAZĪVU GRIEŠANU**
- a) **Lietojiet vienīgi jūsu rīcībā esošajam elektroinstrumentam piemērotus slīpēšanas darbinstrumentus un šādiem darbinstrumentiem paredzētu aizsargu.** Aizsargs var nepietiekami noseg nepiemērotus slīpēšanas darbinstrumentus, līdz ar to neļaujot panākt vēlamu darba drošību.
 - b) **Izliektie slīpdiski jāiestiprina tā, lai to slīpvirsmā neizvirzītos pāri aizsargpārsega malai.** Nepareizi iestiprināts slīpdisks, kas izvirzās pāri aizsargpārsega malai, nevar tikt pietiekošā veidā nosegts.
 - c) **Aizsargam jābūt droši nostiprinātam uz elektroinstrumenta un uzstādāmam tā, lai būtu iespējams panākt iespējami lielāku darba drošību, t.i., lai lietotāja virzienā būtu vērsta iespējami mazāka slīpēšanas darbinstrumenta nenosegtā daļa.** Aizsarga uzdevums ir pasargāt lietotāju no lidojošajām daļiņām, saskaršanās ar slīpēšanas darbinstrumentu un dzirkstelēm, kas var aizdegināt drēbes.
 - d) **Slīpēšanas darbinstrumentu drīkst izmantot vienīgi tādā veidā, kādam tas ir paredzēts.** Piemēram, nekad neizmantojiet slīpēšanai griešanas diska sānu virsmu. Griešanas diska ir paredzēts materiālu apstrādei ar malas griezējšķautni. Stiprs spiedienu sānu virzienā var sagrāut šo darbinstrumentu.
 - e) **Kopā ar izvēlto slīpēšanas disku izmantojiet vienīgi nebojātu piespiedējuzgriezni ar piemērotu formu un izmēriem.** Piemērota tipa piespiedējuzgrieznis darba laikā droši balsta slīpēšanas disku un samazina tā salūšanas iespēju. Kopā ar griešanas diskam

izmantojamie piespiedējuzgriežņi var atšķirties no piespiedējuzgriežņiem, kas lietotami kopā ar citu veidu slīpēšanas diskam.

- f) **Izmantojiet nolietotus slīpēšanas diskus, kas paredzēti lielākas jaudas elektroinstrumentiem.** Lielākiem elektroinstrumentiem paredzētie slīpēšanas diski nav piemēroti darbam mazākos elektroinstrumentos, kuru griešanās ātrums parasti ir lielāks, un tāpēc tie darba laikā var salūzt.
- 4) CITI ĪPAŠIE DROŠĪBAS NOTEIKUMI, VEICOT GRIEŠANU**
- a) **Neizdariet pārlieku lielu spiedienu uz griešanas disku un nepieļaujiet tā iestrēgšanu. Neveidojiet pārāk dziļus griezumus.** Pārslodžojot griešanas disku, tas biežāk iekeras vai iestrēgst griezumā, un līdz ar to pieaug arī atsitienu vai darbinstrumenta salūšanas iespēja.
 - b) **Izvaieties atrasties rotējošā griešanas diska priekšā vai aiz tā.** Ja darba laikā lietotājs pārvieto griešanas disku prom no sevis apstrādājamā priekšmeta virzienā, tad atsitienu gadījumā elektroinstrumenta ar rotējošu griešanas disku tiks sviests tieši lietotāja virzienā.
 - c) **Pārtraucot darbu vai iestrēgstot griešanas diskam, izslēdziet elektroinstrumentu un turiet to nekustīgi, līdz griešanas diska pilnīgi apstājas. Nemēģiniet izvilkot no griezuma vēl rotējošu griešanas disku, jo šāda darbība var būt par cēloni atsitienu.** Noskaidrojiet un novērsiet diska iestrēgšanas cēloni.
 - d) **Neieslēdziet elektroinstrumentu no jauna, ja tajā iestiprinātais darbinstruments atrodas griezumā. Pēc ieslēgšanas nogaidiet, līdz darbinstruments sasniedz pilnu griešanās ātrumu, un tikai tad uzmanīgi turpiniet griešanu.** Pretējā gadījumā griešanas diska var iekerties griezumā vai izlekt no tā, kā arī var notikt atsitiens.
 - e) **Lai samazinātu atsitienu risku, iestrēgstot griešanas diskam, atbalstiet griezamā materiāla loksnes vai liela izmēra apstrādājamās priekšmetus.** Lieli priekšmeti var saliekties paši sava svara iespaidā. Apstrādājamo priekšmetu jāatbalsta abās pusēs - gan griezuma tuvumā, gan arī priekšmeta malā.
 - f) **Ievērojiet īpašu piesardzību, veidojot padziļinājumus sienās vai citos objektos, kas nav aplūkājami no abām pusēm.** Iegremdējot griešanas disku materiālā, tas var skart gāzes vadu, ūdensvadu, elektropārvades līniju vai citu objektu, kas savukārt var izraisīt atsitienu.

PAPILDUS DARBA DROŠĪBAS NOTEIKUMI

VISPĀRĒJA INFORMĀCIJA

- Šis instruments nav paredzēts mitrai slīpēšanai un griešanai
- Izmantojiet tikai instrumenta piegādes komplektā ietilpstošos piespiedējuzgriežņus
- Šo instrumentu nedrīkst izmantot personas, kas jaunākas par 16 gadiem
- **Pirms instrumenta regulēšanas vai piederumu nomaiņas izņemiet no instrumenta akumulatoru PIEDERUMI**
- Firma SKIL garantē instrumenta nevainojamu darbību tikai tad, ja tiek lietoti oriģinālie papildpiederumi

- Uzstādot/izmantojot citu firmu papildpiederumus, ievērojiet to ražotāju sniegtās instrukcijas
- **Lietojiet tikai slīpēšanas vai griešanas diskus ar maksimālo biezumu 6 mm un vārpstas cauruma diametru 22 mm**
- Nelietojiet palīgpiederumus vai adapterus, lai pielāgotu uzstādīšanai slīpēšanas vai griešanas diskus ar lielāka diametra centrālo atveri
- Neizmantojiet papildpiederumus ar "aklo" vītņoto atveri, kas ir mazāka par M14 x 21 mm
- Lai slīp-/griešanas diskos nerastos plaisas un lūzumi, apejieties ar tiem uzmanīgi un pievērsiet vērību šo darbinstrumentu drošai uzglabāšanai

PIRMS DARBA UZSĀKŠANAS

- Pirms lietojat instrumentu pirmo reizi, ieteicams saņemt praktisku informāciju par tā darbības principiem
- Pirms instrumenta lietošanas obligāti nostipriniet uz tā papilddrokteri E ② un aizsargu F ②
- **Ar piemērota metālmeklētāja palīdzību pārbaudiet, vai apstrādes vietu nešķērso slēptas elektropārvades līnijas, kā arī gāzes vai ūdens caurules; šaubu gadījumā griezieties vietējā komunālās saimniecības iestādē** (darbinstrumentam skarot elektrotīkla fāzes līniju, var izcelties ugunsgrēks un strādājamošais var saņemt elektrisko triecienu; gāzes vada bojājums var izraisīt sprādzienu; darbinstrumentam skarot ūdensvada cauruli, var tikt bojātas materiālās vērtības un strādājamošais var saņemt elektrisko triecienu)
- **Neapstrādājiet materiālus, kas satur azbestu** (azbestam piemīt kancerogēnas īpašības)
- Materiāla, piemēram svīnu saturošas krāsas, dažu koka šķirņu, minerālu un metāla, putekļi var būt kaitīgi (saskare ar putekļiem vai to ieelpošana var izraisīt alerģiskas reakcijas un/vai elpošanas ceļu saslimšanas operatoram vai klātesošajiem); **izmantojiet putekļu masku un putekšsūcēju, ja to iespējams pievienot**
- Dažu veidu putekļi ir klasificēti kā kancerogēni (piemēram, ozola vai dižskābarža putekļi), jo īpaši apvienojumā ar koksnes kondicionēšanas piedevām; **izmantojiet putekļu masku un putekšsūcēju, ja to iespējams pievienot**
- Ievērojiet ar putekļu savākšanu saistītos nacionālos noteikumus, kas attiecas uz apstrādājamajiem materiāliem
- Esiet uzmanīgs, griežot dažādas ailes, īpaši ēku nesošajās sienās (aiņu veidošana nesošajās sienās tiek reglamentētas katras valsts likumdošanā, un šie noteikumi obligāti jāievēro)
- **Nostipriniet apstrādājamo detaļu** (to ir drošāk nostiprināt ar spailēm vai skrūvspilēm, nevis turēt rokā)
- Nenostipriniet instrumentu, iespējot to skrūvspilēs

DARBA LAIKĀ

- Elektriska vai mehāniska rakstura kļūmes gadījumā nekavējoties izslēdziet instrumentu un izņemiet akumulatoru
- Akumulatora aizsardzības pārtraukuma gadījumā vai ja tiek izņemts akumulators, instruments pats neieslēgsies. Lai atkārtoti ieslēgtu instrumentu, atbloķējiet ieslēgšanas/izslēgšanas slēdzi un atkal ieslēdziet instrumentu ①

PĒC DARBA PABEIGŠANAS

- Pēc instrumenta izslēgšanas nebremzējiet rotējošo darbinstrumentu ar sānspiedienu

AKUMULATORI

- **Komplektā iekļautais akumulators ir daļēji uzlādēts** (lai nodrošinātu pilnu akumulatora jaudu, pirms elektroinstrumenta pirmās izmantošanas reizes uzlādējiet to pilnībā, izmantojot uzlādes ierīci)

Izmantojiet tikai instrumenta piegādes komplektā ietilpstošos akumulatorus un uzlādes ierīces

- SKIL akumulators: BR1*31****
- SKIL uzlādes ierīce: CR1*31****
- Nelietojiet bojātu akumulatoru; tas nekavējoties jānomaina
- Neizjauciet akumulatoru
- Neatstājiet instrumentu/akumulatoru lietū
- Pieļaujama apkārtējā gaisa temperatūra (instruments/lādētājs/akumulators):
 - uzlādes laikā 4...40°C
 - darba laikā -20...+50°C
 - uzglabāšanas laikā -20...+50°C

UZ INSTRUMENTA/AKUMULATORA ATTĒLOTO

SIMBOLU SKAIDROJUMS

- ③ Pirms izstrādājuma lietošanas izlasiet tā lietošanas pamācību
- ④ Darba laikā uzvelciet aizsargbrilles un ausu aizsargus
- ⑤ Nekādā gadījumā neievietojiet akumulatoru ugunī, jo tas var izraisīt sprādzienu
- ⑥ Uzglabājiet instrumentu, uzlādes ierīci un akumulatoru vietā, kur temperatūra nepārsniedz 50°C
- ⑦ Neizmetiet elektroiekārtas un baterijas ar sadzīves materiālus atkritumu

DARBS

- Akumulatora uzlādēšana
 - ! **izlasiet uzlādes ierīces komplektā iekļautos drošas lietošanas noteikumus un norādījumus**
- Akumulatora izņemšana/ievietošana ②
- Akumulatora uzlādes pakāpes indikators ⑧
 - lai uzzinātu akumulatora uzlādes līmeni ⑧a, nospiediet akumulatora līmeņa rādītāja pogu L
 - ! **ja pēc pogas L ⑧b nospiešanas sāk mirgot zemākā akumulatora līmeņa rādītāja iedaļa, akumulators ir tukšs**
 - ! **ja pēc pogas L ⑧c nospiešanas sāk mirgot akumulatora līmeņa rādītāja iedaļas 2, akumulatora temperatūra ir ārpus atļautā darba diapazona**
- Akumulatora aizsardzība
 - ierīce tiek tūlīt izslēgta vai arī to nav iespējams ieslēgt, ja
 - **slodze ir pārāk liela** --> samaziniet slodzi un ieslēdziet to no jauna
 - **akumulatora temperatūra ir ārpus atļautā darba diapazona no -20 līdz +50 °C** --> nospiežot pogu L ⑧c, sāk mirgot akumulatora 2 līmeņa rādītāja iedaļas; pagaidiet, līdz akumulatora temperatūra atkal ir atļautajā darba diapazonā
 - **akumulators ir gandrīz tukšs (aizsardzībai pret pilnīgu izlādi)** --> nospiežot pogu L, akumulatora līmeņa rādītājā ir attēlota zemākā akumulatora līmeņa rādītāja iedaļa vai mirgojoša zemākā akumulatora līmeņa rādītāja iedaļa ⑧b; uzlādējiet akumulatoru
 - ! **pēc instrumenta automātiskas izslēgšanas nedrīkst spiest tā ieslēdzēju, jo tā var sabojāt akumulatoru**
- Darbinstrumentu iestiprināšana ②
 - ! **izņemiet no instrumenta akumulatoru**
 - pirms darbinstrumenta iestiprināšanas noīriiet darbvārpstu A un pārējās iestiprināmās daļas
 - nospiediet darbvārpstas fiksācijas pogu D un ar uzgriežņu atslēgas C palīdzību stingri pievelciet piespiedējuzgriezni B

! darbvārpstas fiksācijas pogu D drīkst nospiegt tikai tad, kad instrumenta darbvārpsta A atrodas miera stāvoklī

- lai noņemtu darbinstrumentu, rīkojieties pretējā secībā

! darba gaitā slīpēšanas un griešanas diskī stipri sakarst, tādēļ nepieskarieties tiem, pirms darbinstrumenti nav atdzisuši

! neizmantojiet slīpēšanas vai griešanas diskus bez ražotājfirmas marķējuma atraujamas uzlīmes veidā (ja tāds ir paredzēts)

- Papildroktura E pievienošana ⑨

! izņemiet no instrumenta akumulatoru

- ieskrūvējiet papildrokturi E instrumenta galvas labajā, augšējā vai kreisajā pusē (atbilstoši veicamā darba raksturam)

- Aizsarga F noņemšana/uzstādīšana/iestādīšana ⑩

! izņemiet no instrumenta akumulatoru

! aizsarga slēgtajai pusei vienmēr jābūt vērstai operatora virzienā

- ja nepieciešams, nostipriniet aizsargu F, pieskrūvējot skrūvi G, kas iepriekš ieregulēta rūpnīcā (**raugieties, lai aizsargs būtu aizvērts**)

- Pirms darba uzsākšanas

- pārbaudiet, vai darbinstruments ir pareizi novietots uz darbvārpstas un stingri nostiprināts

- pagriežot darbinstrumentu ar roku, pārbaudiet, vai tas var brīvi rotēt

- pārbaudiet instrumentu, turot to drošā stāvoklī un ļaujot darboties pie maksimālā brīvgaitas ātruma vismaz 60 sekundes

- ja ir novērojama stipra vibrācija vai tiek konstatēti kādi citi defekti, nekavējoties izslēdziet un pārbaudiet instrumentu

- Ieslēdzējs ar fiksāciju J ⑪

- ieslēdziet instrumentu ⑪a

! nemiet vērā, ka instrumenta ieslēgšanas brīdī var notikt pēkšņs grūdiens

! kontaktējiet darbinstrumentu ar apstrādājamo materiālu tikai pēc tam, kad instrumenta ātrums ir sasniedzis nominālo vērtību

- fiksējiet ieslēdzēju ⑪b

- defiksējiet ieslēdzēju/izslēdziet instrumentu ⑪c

! pirms instrumenta izslēgšanas paceliet to no apstrādājamā priekšmeta virsmas

! darbinstruments zināmu laiku turpina griezties arī pēc instrumenta izslēgšanas

- Slīpēšana ⑫

- darba laikā pārvietojiet instrumentu turp un atpakaļ, izdarot uz apstrādājamo virsmu mērenu spiedienu

! nekādā gadījumā neizmantojiet griešanas disku, lai veiktu sānu slīpēšanu

- Griešana ⑬

- darba laikā nesasveriet instrumentu sānu virzienā

- lai izvairītos no atsitiena (parādības, kad griešanas disks darba laikā patvaļīgi atlec no saskares punkta un tiek rauts augšup), pārvietojiet instrumentu uz instrumenta galvas attēlotās bultas vērsuma virzienā

- ļaujiet, lai instruments griešanu veic brīvi, neizdariet uz to lielu spiedienu

- griešanas diska darba ātrums ir atkarīgs apstrādājama materiāla īpašībām

- nebremzējiet rotējošu griešanas disku ar sānu spiedienu

- Instrumenta turēšana un vadīšana

- lai nodrošinātu pilnīgu kontroli pār instrumentu, stingri turiet to ar abām rokām

! darba laikā vienmēr turiet instrumentu aiz pelēkās krāsas noturvirsmas(ām) ⑭

- darba laikā nodrošiniet kājām stingru atbalstu

- pievērsiet uzmanību darbinstrumenta rotācijas virzienam; vienmēr turiet instrumentu tā, lai slīpēšanas vai griešanas procesā radušās dzirksteles un putekļi lidotu prom no operatora

- nenosprostojiet instrumenta ventilācijas atveres K ②

- Uzgriežņu atslēgas nostiprināšana/noņemšana C ⑮

- attiecās tikai, ja instruments aprīkots ar papildu rokturi, kurā iebūvēts uzgriežņu atslēgu uzglabāšanas nodalījums

PRAKTISKI PADOMI

- Papildu informāciju skatiet tīmekļa vietnē www.skil.com

APKALPOŠANA / APKOPE

- Šis darbarīks nav paredzēts profesionālai lietošanai

- Vienmēr uzturiet instrumentu tīru (īpaši ventilācijas atveres K ②)

! pirms tīrīšanas izņemiet no instrumenta akumulatoru

- Ja, neraugoties uz augsto izgatavošanas kvalitāti un rūpīgo pēcražošanas pārbaudi, instruments tomēr sabojājas, tas jānogādā remontam firmas SKIL pilnvarotā elektroinstrumentu remonta darbnīcā

- nogādājiet instrumentu **neizjauktā veidā** kopā ar iegādes dokumentiem tuvākajā tirdzniecības vietā vai firmas SKIL pilnvarotā pēciegādes apkalpošanas un remonta iestādē (adreses un instrumenta apkalpošanas shēma ir sniegta interneta vietnē www.skil.com)

- Ievērojiet, ka garantijā neietilpst pārslodzes vai nepareizas instrumenta ekspluatācijas izraisītie bojājumi (SKIL garantijas noteikumus skatiet www.skil.com vai vērsieties pie izplatītāja)

APKĀRTĒJĀS VIDES AIZSARDZĪBA

- **Neizmietiet elektroiekārtas, baterijas, piederumus un iesaiņojuma materiālus sadzīves atkritumos** (tikai ES valstīm)

- saskaņā ar Eiropas Savienības direktīvu 2012/19/ES par nolietotajām elektriskajām un elektroniskajām iekārtām un tās atspoguļojumiem nacionālajā likumdošanā, nolietotās elektroiekārtas ir jāsavāc, jāizjauc un jānogādā atbilstoši pārstrādei apkārtējai videi nekaitīgā veidā

- īpašs simbols ⑦ atgādina par nepieciešamību izstrādājumus izmantot videi nekaitīgā veidā

! pirms akumulatora utilizācijas tā kontakti jāaplīmē ar izolācijas lenti, lai nepieļautu issavienojuma rašanos starp tiem

TROKSNIS / VIBRĀCIJA

- **3920**

Veicot mērījumus atbilstoši EN 60745, šī instrumenta akustiskā spiediena līmenis ir 80,5 dB(A), akustiskās jaudas līmenis ir 91,5 dB(A) (nenoteiktība K = 3 dB), bet vibrācija virsmas slīpēšanas laikā 5,5 m/s² (triaksiāla

vektora summa; nenuoseikta $K = 1.5 \text{ m/s}^2$)

! citiem pielietojuma veidiem (piemēram, griešanai) vibrācijas paātrinājuma vērtības var atšķirties

• 3921

Veicot mērījumus atbilstoši EN 60745, šī instrumenta akustiskā spiediena līmenis ir 80,0 dB(A), akustiskās jaudas līmenis ir 91,0 dB(A) (nenuoseikta $K = 3 \text{ dB}$), bet vibrācija virsmas slīpēšanas laikā $4,3 \text{ m/s}^2$ (triaksiālā vektora summa; nenuoseikta $K = 1.5 \text{ m/s}^2$)

! citiem pielietojuma veidiem (piemēram, griešanai) vibrācijas paātrinājuma vērtības var atšķirties

- Vibrācijas līmenis ir noteikts, izmantojot standartā EN 60745 paredzēto procedūru; to var izmantot, lai salīdzinātu instrumentus un provizoriski izvērtētu vibrācijas iedarbību, lietojot instrumentu minētajiem mērķiem
 - instrumenta izmantošana citiem mērķiem vai ar citiem vai nepietiekami koptiem piederumiem var ievērojami **palielināt** kopējo vibrācijas iedarbības pakāpi
 - laika periodi, kad instruments ir ieslēgts vai arī ir ieslēgts, taču darbs ar to nenotiek, var ievērojami **samazināt** kopējo vibrācijas iedarbības pakāpi
- ! pasargājiet sevi no vibrācijas iedarbības, veicot instrumenta un tā piederumu tehnisko apkopi, novēršot roku atdzišanu un pareizi organizējot darbu**

LT

Akumulatorinis kampinis 3920/3921 šļifuoklis

ĪVADAS

- Šis prietaiss skirtas metālo ir akmens rupiam **pat-lengviems** apdīrbībai, pjaustumai ir šveitīmui, nenaudojot vandens
- Šis ģrankis neskirtas profesionāliam naudojumai
- **Nespauskite prietaiso per daug; pjovimo disko greitis padarys darbą už Jus**
- Pjauti abrazyviniams pjovimo diskais galima tik naudojant pjovimo apsaugos sistemą (SKIL priedas 2610S00253 (3920) / 2610S00275 (3921))
- Perskaitykite ir išsaugokite šią naudojimo instrukciją ③

TECHNINIAI DUOMENYS ①

PRIETAISO ELEMENTAI ②

- A Suklys
- B Prispaudžiamasis flanšas
- C Priveržiamasis raktas
- D Suklio blokavimo mygtukas
- E Pagalbinė rankena
- F Apsauginis gaubtas
- G Veržlę apsauginis gaubtas
- H Tvirtinamasis flanšas
- J Fiksuojamasis įjungimo/išjungimo jungiklis
- K Ventilacinės angos
- L Akumulatoriaus įkrovos indikatorius
- M Apsauginio gaubto svirtis

SAUGA

BENDRIEJI ELEKTRINIŲ ĮRANKIŲ SAUGOS ĮSPĖJIMAI

⚠ ĮSPĖJIMAS Perskaitykite visus su šiuo elektriniu prietaisu pateiktus saugos perspėjimus, instrukcijas, paveikslėlius ir specifikacijas. Nepaisant toliau pateiktų instrukcijų galite patirti elektros smūgį, įvykti gaisras ir / ar patirti rimtų sužalojimų.

Išsaugokite visus įspėjimus ir instrukcijas ateičiai.

Terminas „elektros ģrankis“ įspėjimuose reiškia jūsų iš elektros tinklo (laidais) maitinamus ģrankius arba elektros ģrankius, veikiančius nuo baterijų (beleidžius).

1) DARBO VIETOS SAUGUMAS

- a) **Darbo vieta turi būti švari ir tvarkinga.** Netvarka ar blogai apšviesta darbo vieta gali tapti nelaimingų atsitikimų priežastimi.
- b) **Nedirbkite tokioje aplinkoje, kur yra degių skysčių, dujų ar dulkių.** Elektriniai ģrankiai gali kibirkščiuoti, o nuo kibirkščių dulkės arba susikaupę garai gali užsidegti.
- c) **Dirbdami su elektriniu ģrankiu neleiskite šalia būti žiūrovams, vaikams ir lankytojams.** Nukreipę dėmesį į kitus asmenis galite nebesuvaldyti prietaiso.

2) ELEKTROSAUGA

- a) **Maitinimo laido kištukas turi atitikti tinklo rozetės tipą.** Kištuko jokių būdu negalima modifikuoti. **Nenaudokite jokių kištuko adapterių su žemintais prietaisais.** Originalūs kištukai, tiksliai tinkantys elektros tinklo rozetei, sumažina elektros smūgio pavojų.
 - b) **Venkite kūno kontakto su žemintais paviršiais, tokiais kaip vamzdžiai, šildytuvai, viryklės ar šaldytuvai.** Egzistuoja padidinta elektros smūgio rizika, jei Jūsų kūnas bus žemintas.
 - c) **Saugokite prietaisų nuo lietaus ir drėgmės.** Jei vanduo patenka į elektrinį prietaisą, padidėja elektros smūgio rizika.
 - d) **Nenaudokite maitinimo laido ne pagal paskirtį, t. y. neneškite prietaiso paėmę už laido, nekabinkite prietaiso už laido, netraukite už jo, norėdami išjungti kištuką iš rozetės.** Laidą klokite taip, kad jo neveiktų karštis, jis neišsitemptų alyva ir jo nepažeistų aštrios detalės ar judančios prietaiso dalys. Pažeisti arba susipynę laidai gali tapti elektros smūgio priežastimi.
 - e) **Jei su elektriniu ģrankiu dirbate lauke, naudokite tik tokius ilginimo kabelius, kurie tinka lauko darbams.** Naudojant lauko darbams pritaikytus ilginimo kabelius, sumažinamas elektros smūgio pavojus.
 - f) **Jei su elektriniu ģrankiu neišvengiamai reikia dirbti drėgnoje aplinkoje, naudokite žemiminio grandinės pertraukiklį.** Naudojant žemiminio grandinės pertraukiklį, sumažėja elektros smūgio pavojus.
- #### 3) ŽMONIŲ SAUGA
- a) **Būkite atidūs, sutelkite dėmesį į tai, ką Jūs darote ir, dirbdami su elektriniu ģrankiu, vadovaukitės sveiku protu. Nedirbkite su prietaisu, jei esate pavargę arba vartojote narkotikus, alkoholį ar medikamentus.** Akimirksnio neatidumas naudojant prietaisą gali tapti rimtų sužalojimų priežastimi.
 - b) **Naudokite asmenines apsaugos priemones ir visuomet užsidėkite apsauginius akinius.** Naudojant

- asmenines apsaugos priemonės, pvz., respiratorių ar apsauginę kaukę, neslystančius batus, apsauginį šalną, klausos apsaugos priemonės ir kt., rekomenduojamas dirbant su tam tikros rūšies įrankiais, sumažėja rizika susižeisti.
- c) **Saugokitės, kad neįjungtumėte prietaiso atsitiktinai. Prieš prijungdami elektrinį įrankį prie elektros tinklo ir/arba akumuliatoriaus, prieš perkeldami ar nešdami įsitikinkite, kad jis yra išjungtas.** Jeigu nešdami elektrinį įrankį pirštą laikysite ant jungiklio arba prietaisą įjungsitė į elektros tinklą, kai jungiklis yra įjungtas, gali įvykti nelaimingas atsitikimas.
- d) **Prieš įjungdami prietaisą pašalinkite reguliavimo įrankius arba veržlių raktus.** Prietaiso besisukančioje dalyje esantis įrankis ar raktas gali tapti sužalojimų priežastimi.
- e) **Nepervertinkite savo galimybių. Dirbdami atsistokite patikimai ir visada išlaikykite pusiausvyrą.** Patikima stovėseną ir tinkama kūno laikysena leis geriau kontroliuoti prietaisą netikėtose situacijose.
- f) **Dėvėkite tinkamą aprangą. Nedėvėkite plaučių drabužių ir papuošalų.** Saugokite plaukus ir drabužius nuo besisukančių elektrinio įrankio dalių. Laisvus drabužius, papuošalus bei ilgus plaukus gali įtraukti besisukančiosios dalys.
- g) **Jei yra numatyta galimybė prijungti dulkių nusiurbimo ar surinkimo įrenginius, visada įsitikinkite, ar jie yra prijungti ir ar teisingai naudojami.** Naudojant dulkių nusiurbimo įrenginius sumažėja kenksmingas dulkių poveikis.
- h) **Dažnai naudodami įrankį ir gerai su juo susipažinę pernelyg nesusipalaiduokite ir nepradėkite nepaisyti įrankio saugos principų.** Neatidus veiksmas gali sukelti sunkią traumą per sekundės dalį.
- 4) RŪPESTINGA ELEKTRINIŲ ĮRANKIŲ PRIEŽIŪRA IR NAUDOJIMAS**
- a) **Neperkraukite prietaiso. Naudokite Jūsų darbui tinkamą elektrinį įrankį.** Su tinkamu elektriniu įrankiu Jūs dirbsite geriau ir saugiau, jei neviršysite nurodyto galingumo.
- b) **Nenaudokite elektrinio įrankio su sugedusiu jungikliu.** Elektrinis įrankis, kurio nebegalima įjungti ar išjungti, yra pavojingas ir jį reikia remontuoti.
- c) **Prieš reguliuodami prietaisą, keisdami darbo įrankius ar prieš valydami prietaisą, iš elektros tinklo lizdo ištraukite kištuką ir/arba išimkite akumuliatorių, jeigu jis išimamas.** Ši saugumo priemonė apsaugos jus nuo netikėto prietaiso įsijungimo.
- d) **Nenaudojamą prietaisą sandėliuokite vaikams ir nemokantiems juo naudotis asmenims neprieinamoje vietoje.** Elektriniai įrankiai yra pavojingi, kai juos naudoja nepatyrę asmenys.
- e) **Priziūrėkite elektrinį įrankį ir priedus.** Tikrinkite, ar besisukančiosios prietaiso dalys tinkamai veikia ir niekur nekliūva, ar nėra sulūžusių ar šiaip pažeistų dalių, kurios įtakotų prietaiso veikimą. Prieš vėl naudojant prietaisą pažeistosios prietaiso dalys turi būti suremontuotos. Daugelio nelaimingų atsitikimų priežastis yra blogai priziūrimi elektriniai įrankiai.
- f) **Pjovimo įrankiai turi būti aštrūs ir švarūs.** Rūpestingai priziūrėti pjovimo įrankiai su aštriomis pjaujamosiomis briaunomis mažiau stringa ir juos yra lengviau valdyti.
- g) **Elektrinį įrankį, papildomą įrangą, darbo įrankius ir t. t. naudokite taip, kaip nurodyta šioje instrukcijoje. Taip pat atsivėlkite į darbo sąlygas bei atliekamo darbo pobūdį.** Naudojant elektrinius įrankius ne pagal jų paskirtį galima sukelti pavojingas situacijas.
- h) **Rankenos ir suėmimo paviršiai turi būti sausi, švarūs, ant jų neturi būti alyvos ir tepalų.** Dėl slidžių rankenų ir suėmimo paviršių negalėsite saugiai išlaikyti ir suvaldyti įrankio netikėtose situacijose.
- 5) RŪPESTINGA AKUMULIATORINIŲ ĮRANKIŲ PRIEŽIŪRA IR NAUDOJIMAS**
- a) **Akumuliatoriaus krovimui naudoti tik tuos įkroviklius, kuriuos rekomenduoja gamintojas.** Naudojant kitokio tipo akumuliatoriams skirtą įkroviklį, kyla gaisro pavojus.
- b) **Su prietaisu galima naudoti tik jam skirtą akumuliatorių.** Naudojant kitokius akumuliatorius atsiranda pavojus susižeisti bei sukelti gaisrą.
- c) **Nelaikykite sąvaržėlių, monetų, raktų, vinių, varžtų ar kitokių metalinių daiktų arti ištraukto iš instrumento akumuliatoriaus kontaktų.** Užtrumpinus akumuliatoriaus kontaktus galima nusidėginti ar sukelti gaisrą.
- d) **Netinkamai naudojant akumuliatorių, iš jo gali iškėti skystis. Venkite kontakto su šiuo skystičiu. Jei skystis pateko ant odos, nuplaukite jį vandeniu, jei pateko į akis - nedelsiant kreipkitės į gydytoją.** Akumuliatoriaus skystis gali sukelti odos sudirginimą ar nudegimus.
- e) **Nenaudokite pažeisto arba perdaryto akumuliatoriaus arba įrankio.** Sugadinti arba perdaryti akumuliatoriai gali veikti nenusėjamai – sukelti gaisrą, sproгимą arba traumų pavojų.
- f) **Saugokite akumuliatorių arba įrankį nuo ugnies ir aukštos temperatūros.** Patekęs į ugnį arba aukštesnę nei 130°C temperatūrą, jis gali sprogti.
- g) **Vykdykite visas įkrovimo instrukcijas ir nekraukite akumuliatoriaus arba įrankio temperatūroje, neatitinkančioje instrukcijose nurodyto temperatūros diapazono ribų.** Netinkamai kraunant arba jeigu temperatūra neatitinka nurodyto diapazono ribų, gali sugesti akumuliatorius ir kilti gaisras.
- 6) APTARNAVIMAS**
- a) **Prietaisą turi remontuoti tik kvalifikuotas specialistas ir naudoti tik originalias atsargines dalis.** Taip galima garantuoti, jog prietaisas išliks saugus.
- b) **Niekada neatlikite pažeisto akumuliatoriaus techninės priežiūros.** Akumuliatorių techninę priežiūrą turi atlikti tik gamintojas arba įgaliotasis techninės priežiūros atstovas.

DARBŲ SAUGOS INSTRUKCIJOS DIRBANTIEMS SU KAMPINIAIS ŠLIFUOKLIAIS

- 1) BENDROSIOS ĮSPĖJAMOSIOS NUORODOS ATLIEKANTIEMS ŠLIFAVIMO, ŠLIFAVIMO NAUDOJANT ŠLIFAVIMO POPIERIŲ, APDIRBIMO VIELINIAIS ŠEPEČIAIS, POLIRAVIMO IR PJAUSTYMO ABRAZYVINIAIS PJOVIMO DISKAIMS DARBUS**
- a) **Šį elektrinį prietaisą galima naudoti kaip šlifavimo mašiną bei pjaustymo mašiną. Griežtai laikytis visų įspėjamųjų nuorodų, taisyklių, ženklų ir užrašų, kurie yra pateikiami su šiuo prietaisu, reikalavimų.**

- Jei nepaisysite toliau pateiktų nuorodų, gali kilti elektros smūgio, gaisro ir/arba sunkių sužalojimų pavojus.
- b) **Šį elektrinį prietaisą nerekomenduojama naudoti kaip šlifavimo su švitrinu popieriumi, šlifavimo vieliniais šepetėliais arba poliravimo.** Operacijos, kurioms nėra skirtas elektrinis instrumentas, gali būti pavojingos ir sužaloti dirbantįjį.
 - c) **Nenaudokite jokių priedų ir papildomos įrangos, kurių gamintojas nėra specialiai numatęs ir rekomendavęs šiam elektriniam prietaisui.** Vien tik tas faktas, kad Jūs galite pritvirtinti kokį nors priedą prie Jūsų elektrinio prietaiso, jokia būdu negarantuoja, kad juo bus saugu naudotis.
 - d) **Naudojamų darbo įrankių maksimalus leistinas apsisukimų skaičius turi būti ne mažesnis, nei maksimalus sūkių skaičius, nurodytas ant elektrinio prietaiso.** Jei įrankis sukis greičiau, nei leistina, jis gali subyrėti.
 - e) **Naudojamo darbo įrankio išorinis diametras ir storis turi atitikti nurodytuosius Jūsų elektrinio prietaiso parametrus.** Netinkamų matmenų įrankius gali būti sunku tinkamai apsaugoti bei valdyti.
 - f) **Darbo įrankiai su srieginiu įdėklų turi tiksliai tikti šlifavimo suklio sriegiui.** Naudojant darbo įrankius, kurie tvirtinami jungė, darbo įrankio kiurymės skersmuo turi tiksliai tikti jungės įtvoro skersmeniui. Darbo įrankiai, kurių negalima tiksliai pritvirtinti prie elektrinio įrankio, sukasi netolygiai, labai vibruoja ir gali tapti nebevaldomi.
 - g) **Nenaudokite pažeistų darbo įrankių. Prieš kiekvieną naudojimą patikrinkite tokius įrankius, kaip abrazyviniai diskai, ar jie nėra apūžinėję arba įtrūkę, šlifavimo žiedus - ar jie nėra įtrūkę, susidėvėję ar nudilę, vielinius šepetčius - ar jų vielutės nėra atsilaisvinę ar nutrukę.** Jei elektrinis prietaisas arba darbo įrankis nukrito iš didesnio aukščio, patikrinkite, ar jis nėra pažeistas, arba iš karto sumontuokite kitą - nepažeistą - darbo įrankį. Kuomet patikrinote ir sumontavote darbo įrankį, pasirūpinkite, kad nei Jūs, nei greta esantys asmenys nebūtų vienoje linijoje su besisukančiu darbo įrankiu, ir leiskite prietaisui vieną minutę veikti didžiausiais sūkiu. Jei darbo įrankis yra pažeistas, jis turėtų per šį bandymo laiką subyrėti.
 - h) **Naudokite individualias apsaugos priemones. Ir visuomet užsidėkite veido apsaugą ar apsauginius akinius.** Jei nurodyta, užsidėkite nuo dulkių saugantį respiratorių, apsaugines ausines, apsaugines pirštines arba specialią prijuostę, kuri apsaugos jus nuo smulkių šlifavimo įrankio ir ruošinio dalelių. Akys turi būti apsaugotos nuo aplinkui skraidančių svetimkūnių, atsirandančių atliekant įvairius darbus. Respiratorius turi išfiltruoti dirbant kylančias dulkes. Dėl ilgalaikio didelio triukšmo poveikio galite prarasti klausą.
 - i) **Pasirūpinkite, kad kiti asmenys būtų saugiam atstume nuo Jūsų darbo zonos.** Kiekvienas, kuris įžengia į darbo zoną, turi naudoti asmenines apsaugos priemones. Ruošinio dalelės ar atskilę įrankio gabalėliai gali skrieti dideliu greičiu ir sužeisti asmenis, net ir esančius už tiesioginės darbo zonos ribų.
 - j) **Kai yra rizika, kad dirbant priedas gali prisiliesti prie paslėptų laidų, elektrinį įrankį laikykite tik už izoliuotų laikymo paviršių.** Prieduose yra laidų, kuriais teka srovė, galinti sukelti elektros smūgį.
 - k) **Maitinimo kabelį laikykite toliau nuo besisukančių darbo įrankių.** Jei nesuvaldytumėte prietaiso, darbo įrankis gali perpjauti maitinimo kabelį arba jį įvynioti, tuomet jūsų plaštaka ar ranka gali paliesti besisukančių darbo įrankį.
 - l) **Išjungę elektrinį prietaisą, niekuomet jo nepadėkite tol, kol darbo įrankis visiškai nesustos.** Besisukantis darbo įrankis gali prisiliesti prie paviršiaus, ant kurio padedate prietaisą, ir prietaisas gali tapti nevaldomas.
 - m) **Nešdami prietaisą niekuomet jo neįjunkite.** Netyčia prisilietus prie besisukančio darbo įrankio, jis gali įvynioti drabužius ir Jus sužeisti.
 - n) **Reguliariai valykite ventiliacines angas Jūsų prietaiso korpuse.** Vanklio ventilatorius siurbia dulkes į korpusą, ir, susikaupus daug metalo dulkių, gali kilti elektros smūgio pavojus.
 - o) **Niekuomet nenaudokite elektrinio prietaiso arti lengvai užsidegančių medžiagų.** Kylančios kibirkštys gali jas uždegti.
 - p) **Nenaudokite darbo įrankių, kuriuos reikia aušinti skysčiais.** Naudojant vandenį ar kitokius aušinimo skysčius gali kilti elektros smūgio pavojus.
- ## 2) ATATRANKA IR ATITINKAMOS ĮSPĖJAMOSIOS NUORODOS
- Atatranka yra staigi reakcija, atsirandanti tuomet, kai besisukantis darbo įrankis, pvz., šlifavimo diskas, šlifavimo žiedas ar vielinis šepetys, užkliūva, įstringa ruošinyje ir dėl to netikėtai sustoja. Dėl to prietaisas gali nekontroliuojamai atšokti nuo ruošinio priešinga kryptimi darbo įrankio sukimosi kryptimi.
 - Pvz., jei šlifavimo diskas įstringa arba užsiblokuoja ruošinyje, disko kraštas, kuris yra įleistas į ruošinį, gali išlūžti arba sukelti atatranką. Šlifavimo diskas tuomet ima judėti link dirbančiojo arba nuo jo, priklausomai nuo disko sukimosi krypties blokavimo vietoje. Be to, šlifavimo diskas gali ir subyrėti.
 - Atatranka yra neteisingo elektrinio prietaiso naudojimo arba klaidos pasekmė. Jos galima išvengti, jei imsitės atitinkamų priemonių, kaip aprašyta žemiau.
- a) **Dirbdami visada tvirtai laikykite prietaisą abiem rankomis ir stenkitės išlaikyti tokią kūno ir rankų padėtį, kurioje sugebėtumėte atsispirti prietaiso pasipriešinimo jėgai atatrankos metu.** Visuomet naudokite pagalbinę rankeną, jei tokia yra, tuomet galėsite suvaldyti atatrankos jėgas bei reakcijos jėgų momentą. Dirbantysis gali suvaldyti atatrankos ir reakcijos jėgas, jei imsis tinkamų saugos priemonių.
 - b) **Nelaikykite rankos arti besisukančio darbo įrankio.** Darbo įrankis, įvykus atatrankai, gali pajudėti link Jūsų rankos.
 - c) **Venkite, kad jūsų kūno dalys būtų toje zonoje, kurioje įvykus atatrankai juda prietaisas.** Atatrankos jėga verčia prietaisą judėti nuo blokavimo vietos priešinga kryptimi darbo įrankio sukimosi kryptimi.
 - d) **Ištin atargiai dirbkite ties kampa, aštriomis briaunomis ir t.t. Pasistenkite dirbti taip, kad įrankis neatsimuštų į kliūtis ir neįstrigtų.** Besisukantis įrankis turi tendenciją kampuose, ties aštriomis briaunomis arba atsimušęs į kliūtį užstrigti. Tuomet prietaisas tampa nevaldomas arba įvyksta atatranka.
 - e) **Nenaudokite jokių grandinių ar dantytų pjovimo**

diskų. Tokie įrankiai dažnai sukelia atitrunką ir elektrinį prietaisą gali būti sunku suvaldyti.

3) SAUGOS ĮSPĖJIMAI ŠLIFUOJANT IR PJAUNANT ABRAZYVINIAIS DISKAI

- a) **Naudokite tik su šiuo prietaisu leidžiamus naudoti šlifavimo įrankius ir šiems įrankiams pritaikytus apsauginius gaubtus.** Šlifavimo įrankiai, kurie nėra numatyti šiam prietaisui, gali būti nepakankamai uždenkti ir todėl nesaugūs naudoti.
 - b) **Išlenktus šlifavimo diskus reikia tvirtinti taip, kad jų šlifavimo paviršius nebūtų išsikišęs už apsauginio gaubto krašto plokštumos.** Netinkamai primontuotas šlifavimo diskas, kuris yra išsikišęs už apsauginio gaubto krašto plokštumos, bus nepakankamai uždenktas.
 - c) **Apsauginis gaubtas turi būti patikimai pritvirtintas prie elektrinio prietaiso ir taip nustatytas, kad būtų garantuotas didžiausias saugumas dirbantįjam, t.y. į dirbantįjį turi būti nukreipta kuo mažesnė neuždengta šlifavimo įrankio dalis.** Apsauginis gaubtas turi apsaugoti dirbantįjį nuo atskilusių ruošinio ar įrankio dalelių, atsitiktinio prisilietimo prie šlifavimo įrankio ir kibirkščių, nuo kurių gali užsidegti drabužiai.
 - d) **Šlifavimo įrankius leidžiama naudoti tik pagal rekomenduojamą paskirtį, pvz., niekuomet nešlifukite pjovimo disko šoniniu paviršiumi.** Pjovimo diskai yra skirti medžiagai pašalinti disko pjaunamąja briauna. Nuo šoninės apakrovos šie šlifavimo įrankiai gali sulūžti.
 - e) **Jūsų pasirinktiems šlifavimo diskams tvirtinti visuomet naudokite nepažeistus tinkamo dydžio ir formos prispaudžiamuosius flanšus.** Tinkami flanšai prilaiko šlifavimo diską ir sumažina lūžimo pavojų. Pjovimo diskams skirti flanšai gali skirtis nuo kitiems šlifavimo diskams skirtų flanšų.
 - f) **Nenaudokite sudilusių diskų, prieš tai naudotų su didesnėmis kaminio šlifavimo mašinomis.** Diskai, skirti didesniems prietaisams, nėra pritaikyti dideliems mažųjų prietaisų išvystomiems sukiamis ir gali sulūžti.
- ### 4) KITOS SPECIALIOS SAUGOS NUORODOS ATLIEKANTIEMS PJAUSTYMO DARBUS
- a) **Venkite užblokuoti pjovimo diską ar pernelę stipriai jį spausiti prie ruošinio. Nemėginkite atlikti pernelę gilių pjūvių.** Pernelę prispaudus pjovimo diską, padidėja jam tenkanti apkrova ir atsiranda didesnė tikimybė jį pakreipti bei užblokuoti pjūvyje, taigi padidėja atitrunkos ir disko lūžimo rizika.
 - b) **Venkite būti zonoje, esančioje prieš ir už besisukančio pjovimo disko.** Kuomet pjaudami ruošinį pjovimo diską stumiate nuo savęs, įvykus atitrunkai, prietaisas su besisukančiu disku pradės judėti tiesiai į Jus.
 - c) **Jei pjovimo diskas užstringa arba Jūs norite nutraukti darbą, išjunkite prietaisą ir laikykite jį ramiai, kol diskas nustos sukstis.** Niekuomet nemėginkite iš pjūvio vietos ištraukti dar tebesisukančią diską, nes tai gali sukelti atitrunką. Nustatykite ir pašalinkite disko strigimo priežastį.
 - d) **Neįjunkite prietaiso iš naujo tol, kol diskas neištrauktas iš ruošinio.** Leiskite pjovimo diskui iki galo išsibėgėti ir tik po to atsargiai tęskite pjovimą. Priešingu atveju diskas gali užstrigti, iššokti iš ruošinio ar sukelti atitrunką.
 - e) **Plokštes ar didelius ruošinius paremkite, kad sumažintumėte atitrunkos riziką dėl užstrigusio**

pjovimo disko. Dideli ruošiniai gali išlinkti dėl savo pačių svorio. Ruošinyje turi būti paremtas iš abiejų pusių, tiek ties pjūvio vieta, tiek ir prie krašto.

- f) **Būkite itin atsargūs darydami pjūvius sienose ar kituose nepermatomuose paviršiuose.** Panyrantis pjovimo diskas gali pažeisti elektros laidus, dujotiekio ar vandentiekio vamzdžius ar kitus objektus ir sukelti atitrunką.

PAPILDOMOS DARBO SAUGOS INSTRUKCIJOS

BENDROJI DALIS

- Šis prietaisas netinka ruošiniams šlifuoti ar pjovimui šlapiuoju būdu
- Naudokite tik kartu su šiuo prietaisu tiekiamus flanšus
- Šį prietaisą turėtų naudoti tik asmenys, kuriems 16 ir daugiau metų
- **Atlikdami bet kokius pakeitimus arba pavyzdžiui keisdami priedus, išimkite bateriją**

PIEDIAD

- SKIL gali garantuoti nepriekaištingą prietaiso veikimą tik tuo atveju, jei naudojama originali papildoma įranga ir priedai
- Naudodami kitur pagamintą papildomą įrangą vadovaukitės gamintojo pateiktai nurodymais
- **Naudokite tik šlifavimo/pjovimo diskus, kurių storis ne didesnis kaip 6 mm, o veleno angos skersmuo yra 22 mm**
- Negalima naudoti jokių tarpinių elementų ar adapterių kad pritaikytumėte rupaus šlifavimo ar pjovimo diskus su didesniu angos skersmeniu
- Jokių būdu nenaudokite papildomos įrangos su uždaru sriegiu, kurio matmenys mažesni nei M14 x 21 mm
- Atsargiai elkitės su šlifavimo/pjovimo diskais, kad jie neįtrūktų arba nesuskiltų

PIEŠ EKSPLOATACIJA

- Prieš naudojant prietaisą pirmą kartą rekomenduojame įgyti praktinių žinių
- Visuomet naudokite šoninę rankeną E ② ir apsauginį gaubtą F ②; nedirbkite su prietaisu be jų
- **Naudodami tam skirtus paieškos prietaisus, patikrinkite, ar gręžimo vietoje nėra paslėptų komunalinių tinklų vamzdinių, arba pasikvieskite į pagalbą vietinius komunalinių paslaugų tiekėjus** (kontaktais su elektros laidais gali sukelti gaisro bei elektros smūgio pavojų; pažeidus dujotiekio vamzdį, gali įvykti sprogitas; pažeidus vandentiekio vamzdį, galima pridaryti daugybę nuostolių bei sukelti elektros smūgio pavojų)
- **Draudžiama apdirbti medžiagas, kurių sudėtyje yra asbesto** (asbestas pasižymi vėžį sukeliančiu poveikiu)
- Kai kurių medžiagų, kaip antai dažų, kurių sudėtyje yra švino, kai kurių medžių rūšių medienos, mineralų ir metalo dulksės gali būti kenksmingos (kontaktais su šiomis dulkelėmis arba įkvėptos dulksės gali sukelti operatoriui arba šalia esantiems žmonėms alergines reakcijas ir/arba kvėpavimo sistemos susirgimus); **mūvėkite priešdulkinę puskaukę arba dirbdami naudokite dulkių ištraukimo įrenginį, jei jį galima prijungti**
- Kai kurių rūšių dulksės priskiriamos kancerogeninėms (pvz., ažuolo arba buko medienos dulksės), ypač susimaišiusios su medienos tarinurimi naudojamais priedais; **mūvėkite priešdulkinę puskaukę arba dirbdami naudokite dulkių ištraukimo įrenginį, jei jį galima prijungti**

- Vadovaukitės Jūsų šalyje taikomų direktyvų reikalavimais, skirtais medžiagoms, su kuriomis norite dirbti
- Frezuodami griovelius elkitės atsargiai, ypač jei darote įpjovas atraminėse sienose (išilginės įpjovos atraminėse sienose dažniausiai yra reglamentuojamos atitinkamai valstybės teisiniais aktais; šių reglamentų reikalavimų būtina laikytis)
- **Saugiai laikykite tvirtinamą dirbinį** (dirbinį, kuris segamas ar kalamas kabū kalimo įrankiais, saugiai laikyti spaustuvu nei ranka)
- Prietaisą draudžiama tvirtinti mašininiuose spaustuvuose

EKSPLOATACIJA

- Atsiradus mechaninio ar elektrinio pobūdžio trūkščių, tuoj pat išjunkite prietaisą ir išimkite bateriją
- Suveikus baterijos apsaugos sistemai arba išėmus bateriją, įrankis pats neišjungs; norėdami įjungti įrankį, atblokuokite įjungimo / išjungimo jungiklį ir vėl įjunkite įrankį ①

PO EKSPLOATACIJOS

- Išjungę prietaisą, besisukančių darbo įrankių nestabdykite šoniniu prispaudimu

AKUMULATORIAI

- **Pridedama baterija yra iš dalies įkrauta** (norint užtikrinti baterijos galingumą, visiškai įkraukite bateriją įkroviklyje prieš pirmą kartą naudodami elektrinį įrankį)
- **Naudokite tik tokias kartu su šiuo prietaisu tiekiamas baterijas**
 - „SKIL“ baterija: BR1*31****
 - „SKIL“ įkroviklis: CR1*31****
- Nenaudokite pažeistų akumuliatorių baterijų, jas būtina pakeisti
- Negalima išmontuoti baterijos
- Jokiu būdu nepalikite prietaiso / baterijų, kai lyja
- Leidžiamoji aplinkos temperatūra (prietaiso/įkroviklio/akumuliatorių):
 - įkraunant 4...40°C
 - įrankiu veikiant –20...+50°C
 - sandėliuojant –20...+50°C

ANT PRIETAISO/BATERIJOS ESANČIŲ SIMBOLIŲ REIKŠMĖS

- ③ Prieš naudodami įrankį perskaitykite instrukcijų vadovą
- ④ Užsidėkite apsauginius akinius ir klausos apsaugos priemones
- ⑤ Įmesti į ugnį akumuliatoriai sprogs, jų nedeginkite jokiais sumetimais
- ⑥ Patalpos, kurioje laikomas prietaisas, akumuliatorių kroviklis ar akumuliatorius, temperatūra neturi viršyti 50°C
- ⑦ Nemeskite elektrinių įrankių ir baterijos į buitinių atliekų konteinerius

NAUDOJIMAS

- Akumuliatoriaus įkrovimas
 - ! **Skaitykite saugos įspėjimus ir instrukcijas, pateiktas kartu su įkrovikliu**
- Baterijų išėmimas ir įdėjimas ②
- Akumuliatoriaus įkrovos indikatorius ⑧
 - paspaudus akumuliatoriaus įkrovos lygio indikatorius mygtuką L rodomas esamas akumuliatoriaus įkrovos lygis. ⑧a pav.
 - ! **jei paspaudus mygtuką L ima mirksėti žemiausio akumuliatoriaus įkrovos lygio indikatorius, kaip parodyta ⑧b pav., akumuliatorius yra išsikrovęs**
 - ! **jei paspaudus mygtuką L ima mirksėti 2 akumuliatoriaus įkrovos lygio indikatorius**

segmentai, kaip parodyta ⑧c pav., akumuliatoriaus temperatūra yra už leidžiamosios darbinės temperūros intervalo ribų

- Akumuliatoriaus apsauga
 - Prietaisas staiga išsijungia arba jo nepavyksta įjungti, jei
 - **apkrova yra per didelė** --> pašalinkite apkrovą ir vėl paleiskite prietaisą
 - **akumuliatoriaus temperatūra nepatenka į leidžiamosios darbinės temperūros intervalą (nuo –20 iki 50 °C)** --> paspaudus mygtuką L ima mirksėti 2 akumuliatoriaus įkrovos lygio indikatorius segmentai, kaip parodyta ⑧c pav.; palaukite, kol akumuliatoriaus temperatūra grįš į leidžiamosios darbinės temperūros intervalą
 - **akumuliatorius beveik išsikrovęs (apsauga nuo visiško išsikrovimo)** --> paspaudus mygtuką L įsižiebčia arba mirksi žemo akumuliatoriaus įkrovos lygio indikatorius, kaip parodyta ⑧b pav.; pakeiskite akumuliatorių
 - ! **jei instrumentas išsijungė automatiškai, nelaikykite nuspaudę jo jungiklio, nes taip galima sugadinti akumuliatorių**
- Papildomos įrangos montavimas ②
 - ! **išimkite bateriją iš prietaiso**
 - prieš uždėdami papildomą įrangą nuvalykite suklij A ir visas detales, kurias montuosite
 - nuspaudę suklio fiksavimo mygtuką D, raktu C užsukite prispaudimo veržlę B
 - ! **suklio fiksavimo mygtuką D spauskite tik tada, kai suklys A nesisuka**
 - norėdami nuimti darbo įrankius, viską darykite atvirkštine tvarka
 - ! **darbo metu rupaus šlifavimo ir pjovimo diskai labai įkaista; nelieskite jų rankomis, kol neatauš**
 - ! **niekuomet nenaudokite rupaus šlifavimo ir pjovimo diskų, jei nuo jų nusilupusi klijuojama etiketė (jei tokia yra)**
- Šoninės rankenos E montavimas ⑨
 - ! **išimkite bateriją iš prietaiso**
 - šoninę rankeną E galima prisukti dešinėje, viršutinėje arba kairėje prietaiso pusėje (priklausomai nuo darbo pobūdžio)
- Apsauginis gaubtas F nuėmimas/montavimas/nustatymas ⑩
 - ! **išimkite bateriją iš prietaiso**
 - ! **įsitikinkite, kad uždara apsauginio gaubto pusė nukreipta į dirbantįjį**
 - prireikus sureguliuokite apsauginį gaubtą F, užverždami varžtą G, kuris buvo nustatytas gamykloje (**prieš tai įsitikinkite, kad apsauginis gaubtas yra uždarytas**)
- Prieš pradėdant eksploatuoti prietaisą
 - įsitikinkite, kad papildoma įranga sumontuota patikimai ir tvirtai priveržta
 - patikrinkite, ar sumontuoti įrankiai laisvai sukasi, pasukdami juos ranka
 - patikrinkite prietaiso veikimą: leiskite prietaisui saugioje padėtyje bent 60 sekundžių dirbti be apkrovos didžiausiu greičiu
 - jei prietaisas smarkiai vibruoja ar pastebite kitokius defektus, tuoj pat jį išjunkite ir pasistenkite išsiaiškinti priežastį
- Fiksuojamas įjungimo ir išjungimo klavišas J ①
 - įjunkite prietaisą ①a

- ! **saugokitės staigaus prietaiso trūktelėjimo įjungimo metu**
- ! **prieš glausdami įrankį prie ruošinio palaukite, kol prietaisas visiškai įsibėgės**

- užfiksuokite jungiklį ①b

- fiksavimą panaikinkite/išjunkite prietaisą ①c

- ! **prieš išjungdami prietaisą atitraukite jį nuo ruošinio**

- ! **išjungus prietaisą, įrankis dar kurį laiką sukasi**

- Nupjovimas ⑫

- vidutiniškai spausdami judinkite prietaisą pirmyn-atgal

- ! **pjovimo diską draudžiama naudoti šlifavimui**

- Grubus šlifavimas ⑬

- nekreipkite prietaiso kampu

- prietaisas turi judėti ta pačia kryptimi, kurią rodo rodyklė ant prietaiso galvutės - taip išvengsite nekontroliuojamo prietaiso išslydimo už apdirbamo ploto ribų

- nespaukite prietaiso per daug; pjovimo disko greitis padarys darbą už Jus

- pjovimo disko apsisukimų skaičius priklauso nuo apdirbamo ruošinio

- nestabdykite pjovimo diskų šoniniu prispaudimu

- Prietaiso laikymas ir valdymas

- tvirtai laikykite prietaisą abiem rankomis, kad nuolat galėtumėte jį kontroliuoti

- ! **dirbdami laikykite prietaisą už pilkos spalvos suėmimo vietos(-ų) ⑭**

- stovėkite tvirtai

- atkreipkite dėmesį į sukimosi kryptį; laikykite prietaisą taip, kad žiežirbos ir dulksės lėktų šalin nuo Jūsų

- ventilacines angas K ② laikykite neuždengtas

- Atsuktuvo nuėmimas / uždėjimas C ⑮

- taikoma tik tada, kai įrankis turi pagalbinę rankeną su įmontuota veržliarakčio laikymo vieta

NAUDOJIMO PATARIMAI

- Daugiau informacijos rasite internete www.skil.com

PRIEŽIŪRA / SERVISAS

- Šis įrankis neskirtas profesionaliam naudojimui
- Periodiškai valykite prietaisą (ypač ventilacines angas K ②)

- ! **prieš valant, išimkite bateriją iš įrankio**

- Jeigu prietaisas, nepaisant gamykloje atliekamo kruopštaus gamybos ir kontrolės proceso, vis dėlto sugestų, jo remontas turi būti atliekamas įgaliotose SKIL elektrinių įrankių remonto dirbtuvėse

- **neišardyta** prietaisą kartu su pirkimo čekiu siųskite tiekėjui arba į artimiausią SKIL firmos įgaliotą elektros prietaisų techninio aptarnavimo tarnybą (adresus bei atsarginių dalių brėžinius rasite www.skil.com)

- Turėkite omeny, kad garantija netaikoma, jei gedimas atsiranda dėl perkrovos ar netinkamo naudojimo (dėl SKIL garantijos sąlygų žr. www.skil.com arba kreipkitės į jus aptarnaujančią prekybos atstovą)

APLINKOSAUGA

- **Nemeskite elektrinių įrankių, baterijos, papildomos įrangos ir pakuotės į buitinių atliekų konteinerius** (galioja tik ES valstybėms)
- pagal ES Direktyvą 2012/19/EG dėl naudotų elektrinių ir elektroninių prietaisų atliekų utilizavimo ir pagal

vietinius valstybės įstatymus atitarnavę elektriniai įrankiai turi būti surenkami atskirai ir gabenami į antrinių žaliavų tvarkymo vietas, kur jie turi būti sunaikinami ar perdirbami aplinkai nekenksmingu būdu

- apie tai primins simbolis ⑦, kai reikės išmesti atitarnavusį prietaisą

- ! **prieš išmesdami bateriją apvyniokite jos galus, kad netyčia nekiltų paviršinio nuotėkio srovė**

TRIUKŠMINGUMAS / VIBRACIJA

- **3920**

Išmatuotas pagal EN 60745, šio instrumento garso slėgio lygis yra 80,5 dB(A), garso galios lygis 91,5 dB(A) (neapibrėžtis K = 3 dB), vibracija paviršiaus šlifavimo metu 5,5 m/s² (triašio vektoriaus suma; neapibrėžtis K = 1,5 m/s²)

- ! **kitais naudojimo atvejais (pjaustant) vibracijos lygis gali būti kitoks, nei nurodytas**

- **3921**

Išmatuotas pagal EN 60745, šio instrumento garso slėgio lygis yra 80,0 dB(A), garso galios lygis 91,0 dB(A) (neapibrėžtis K = 3 dB), vibracija paviršiaus šlifavimo metu 4,3 m/s² (triašio vektoriaus suma; neapibrėžtis K = 1,5 m/s²)

- ! **kitais naudojimo atvejais (pjaustant) vibracijos lygis gali būti kitoks, nei nurodytas**

- Vibracijos sklaidos lygis išmatuotas pagal standarte EN 60745 išdėstytus standartizuoto bandymo reikalavimus;

ši vertė gali būti naudojama vienam įrankiui palyginti su kitu bei išankstinaim vibracijos poveikiui įvertinti, kai įrankis naudojamas paminėtais būdais

- naudojant įrankį kitokiais būdais arba su kitokiais bei netinkamai prižiūrimais priedais, gali žymiai **padidėti** poveikio lygis

- laikotarpiams, kai įrankis išjungtas arba yra įjungtas, tačiau juo nedirbama, gali žymiai **sumažėti** poveikio lygis

- ! **apsisaugokite nuo vibracijos poveikio prižiūrėdami įrankį ir jo priedus, laikydami rankas šiltai ir derindami darbo ciklus su pertraukėlėmis**

MK

Безжична аголна

3920/3921

стругална

УПАТСТВО

- Овој алат е наменет за **лесно** дробење, сечење и вадење метали и камени материјали без употреба на вода
- Овој алат не е наменет за професионална употреба
- **Не го притискајте електричниот алат; пуштете го дискот за сечење да работи сам**
- **Операциите на сечење со абразивни тркала за отсекување се дозволени само кога се користи штитник за отсекување (достапен како опционален додаток од SKIL 2610S00253 (3920) / 2610S00275 (3921))**
- Внимателно прочитајте го и зачувајте го ова упатство за ракување ③

ТЕХНИЧКИ ПОДАТОЦИ ①

ЕЛЕМЕНТИ НА АЛАТОТ ②

- A Осовина
- B Штитник за спојки
- C Клуч
- D Копче за заклучување на вретеното
- E Дополнителна рачка
- F Заштитен штитник
- G Шраф за заштитниот механизам
- H Подлога на штитникот
- J Прекинувач на заклучување за вклучување/исклучување
- K Отвори за вентилација
- L Индикатор за нивото на батеријата
- M Лост за заштитниот механизам

БЕЗБЕДНОСТ

ОПШТИ ПРЕДУПРЕДУВАЊА ЗА БЕЗБЕДНОСТ НА ЕЛЕКТРИЧНИТЕ АЛАТИ

⚠ ПРЕДУПРЕДУВАЊЕ Прочитајте ги сите безбедносни предупредувања, упатства, слики и спецификации што се обезбедуваат со овој алат. Непочитувањето на сите упатства подолу може да доведе до електричен удар, пожар и/или сериозна повреда..

Чувајте ги сите предупредувања и упатства за понатамошно упатување.

Поимот “електричен алат”, кој се користи во понатамошниот текст, се однесува на вашиот електричен алат (со приклучен кабел) и на електрични алати со погон на батерии (без приклучен кабел).

1) БЕЗБЕДНОСТ НА РАБОТНОТО МЕСТО

- a) **Одржувајте го вашето работно место чисто и уредно.** Неуреден или работен простор може да предизвикаат незгоди.
 - b) **Немојте да работите со уредот во средина во која има опасност од експлозија, во која има запалливи течности, гасови и прашина.** Електричните алати произведуваат искри кои можат да запалат прашина или пареа.
 - c) **За време на употребата на електричниот алат, децата и останатите лица држете ги подалену од местото на работите.** Одрваќање, би можеле да изгубите контрола врз уредот.
- #### 2) ЕЛЕКТРИЧНА СИГУРНОСТ
- a) **Утикач мора да одговара на приклучокот. Никако не смее да се прават измени на штекерот. Не користете адаптерски штекер заедно со уредот кој е заштитно заземјен.** Не променети штекери и соодветни приклучоци го намалуваат ризикот од електричен удар.
 - b) **Избегнувајте допир на телото со заземјени површини, како што се цевки, радијатори, рерни и фрижидери.** Постои зголемена опасност од струен удар, доколку Вашето тело е заземјено.
 - c) **Чувајте го уредот подалену од дожд и влага.** Продирањето на вода во електричниот уред ја зголемува опасноста од струен удар.

- d) **Не злоупотребувајте го приклучниот кабел за носење, бесење на уредот или за извлекување на штекерот од мрежниот приклучок. Чувајте го кабелот подалену од топлина, масло, остри рабови или деловите на апаратот кои се движат.** Оштетени или заплеткани кабли ја зголемуваат опасноста од струен удар.
 - e) **Кога го употребувате полначот надвор, користете продолжен кабел кој е соодветен за употреба на отворен простор.** Примената на продолжен кабел соодветен за работа на отворен простор ја намалува опасноста од струен удар.
 - f) **Доколку не може да се избегне работа со електричниот алат во влажна средина, користете прекинувач за струјна заштита при технички проблеми.** Употребата на прекинувачот за струјна заштита при технички проблеми го намалува ризикот од електричен удар.
- #### 3) ЛИЧНА ЗАШТИТА
- a) **Бидете внимателни, внимавајте што правите и постапувајте внимателно додека работите со електричниот алат. Не работете со уредот доколку сте уморни или под дејство на дрога, алкохол или лекови.** Еден момент на невнимание при употребата може да доведе до сериозни повреди.
 - b) **Носете ја личната заштитна опрема и секогаш носете заштитни очила.** Носењето на личната заштитна опрема, како што е маската за прашина, безбедносната облека која не се лизга, заштитен шлем или штитник за слух, зависно од видот и примената на електричниот алат, ја намалува опасноста од повреда.
 - c) **Избегнувајте невнимателно вклучување за време на работата. Осигурајте се прекинувачот да биде во “OFF” позиција пред да го ставите штекерот во приклучокот.** Доколку го носите електричниот алат со прстот на прекинувачот или го приклучувате апаратот кој е приклучен со напојување на струја, може да предизвикаат незгоди.
 - d) **Пред вклучување на уредот, тргнете ги алатите за подесување или клучот за навртување.** Алатот или клучот кој се наоѓа во вртливиот дел на уредот, може да предизвика незгода.
 - e) **Не ги преценувајте своите способности.** Заземете сигурен и стабилен став и во секој момент одржувајте рамнотежа. На тој начин можете подобро да го контролирате уредот во неочекувани ситуации.
 - f) **Носете соодветна облека. Не носете широка облека или накит. Косата и алиштата треба да бидат подалену од подвижните делови.** Широката облека, накитот или долгата коса може да се закачат за подвижните делови.
 - g) **Доколку може да се монтираат направи за вшмукување и фаќање прашина, проверете дали се вклучени и дали можат исправно да се користат.** Примената на овие направи ја намалува опасноста од прашината.
 - h) **Не дозволувајте искуството стенното со честа употреба на алатите да ве направи спокојни и да ги игнорирате безбедносните принципи при неговото користење.** Невнимателно движење може да предизвика сериозни повреди во дел од секунда.

4) ВНИМАТЕЛНА УПОТРЕБА И РАКУВАЊЕ СО ЕЛЕКТРИЧНИТЕ АЛАТИ

- a) **Не го преоптеретувајте уредот.** При вашата работа користете го предвидениот електричен алат за таа употреба. Со соодветниот електричен алат ќе работите подобро и посигурно во наведената функционална област.
 - b) **Не користете електричен алат чиј прекинувач е неисправен.** Електричниот алат кој повеќе не може да се вклучува и исклучува е опасен и мора да се поправи.
 - c) **Исклучете го електричниот алат од струја и/или извадете го комплетот со батерии, ако се одделува, пред да правите некакви прилагодувања, менувате дополнителна опрема или да го складирате електричниот алат.** Со овие мерки на внимателност ќе се избегне невнимателното вклучување на уредот.
 - d) **Тргнете го електричниот алат кој не го користите од допирот на децата. Не допуштајте работа со уредот на лица кои не се запознаени со него или кои го немаат прочитано ова упатство.** Електричните алати се опасни доколку со нив работат неискусни лица.
 - e) **Одржувајте го електричниот алат и дополнителната опрема. Имајте контрола околу тоа дали движечките делови на уредот работат беспрекорно и дали не се заглавени, или деловите се скршени или оштетени до таа мерка што не може да се обезбеди функционирање на уредот. Пред примената, овие оштетени делови треба да се поправат.** Причина за многу незгоди е лошо одржуваниот електричен алат.
 - f) **Алатите за сечење одржувајте ги остри и чисти.** Внимателно одржуваните алати за сечење со остри очтрици помалку ќе се заглавуваат и со нив работата ќе биде полесна.
 - g) **Електричниот алат, прибор, работни алати итн., треба да ги користите според овие упатства, и на начин кој е опишан за соодветниот тип на уред. При тоа, земете ги предвид работните услови и работата која се извршува.** Употребата на електричните алати за други цели кои не се предвидени, може да предизвика опасни ситуации.
 - h) **Рачните и површините за држење одржувајте ги суви, чисти и неизмастени.** Рачките и површините за држење што се лизгаат не овозможуваат безбедно ракување и контрола на алатот во неочекувани ситуации.
- #### 5) ВНИМАТЕЛНО РАКУВАЊЕ И КОРИСТЕЊЕ НА АПАРАТ СО АКУМУЛАТОР
- a) **Полнете го акумулаторот само во апаратите за полнење кои се пропишани од страна на производителот.** За апаратот за полнење кој е соодветен за определен вид на акумулатори, постои опасност од пожар, доколку се употребува со други акумулатори.
 - b) **Користете ги електричните алати само со специфично назначени пакувања на батерии.** Користењето на друг вид на батерии може да доведе до ризик од повреда или пожар.
 - c) **Нога батериите не се користат, држете ги настрана од метални предмети како штрафчиња,**

парички, клучеви, клинци, навртки или други, мали предмети кои може да направат краток спој. Краткиот спој кај батериите може да предизвика изгореници или пожар.

- d) **При погрешна примена може да излезе течност од акумулаторот; избегнувајте контакт со неа. При случаен контакт, измијте се со вода. Ако течноста дојде во допир со очите, побарајте и лекарска помош дополнително.** Течноста која може да излезе од акумулаторот може да доведе до надразнување на кожата и изгореници.
 - e) **Не употребувајте комплет со батерии или алат кој е оштетен или изменет.** Оштетени или изменети батерии може да реагираат непредвидливо и да предизвикаат пожар, експлозија или опасност од повреда.
 - f) **Не го изложувајте комплетот со батерии или алатот на оган или висока температура.** Изложувањето на оган или температура над 130°C може да предизвика експлозија.
 - g) **Следете ги сите инструкции за полнење и не го полнете комплетот со батерии или алатот надвор од температурниот опсег наведен во инструкциите.** Неправилното полнење или на температура надвор од наведениот опсег може да ја оштети батеријата и да ја зголеми опасноста од пожар.
- #### 6) СЕРВИСАРАЊЕ
- a) **Електричниот алат сервисирајте го кај квалификувано лице кое користи само идентични резервни делови.** Со ова се обезбедува безбедно одржување на електричниот алат.
 - b) **Никогаш не поправајте оштетени комплекти со батерии.** Поправката на комплекти со батерии треба да ја врши само производителот или овластен сервис.

БЕЗБЕДНОСНО УПАТСТВО ЗА АГОЛНИ БРУСАЛКИ

- 1) **БЕЗБЕДНОСНИ ПРЕДУПРЕДУВАЊА ЗА ОПЕРАЦИИ СО БРУСЕЊЕ ИЛИ АБРАЗИВНО ОТСЕКУВАЊЕ**
- a) **Овој алат е наменет да за брусење или сечење. Прочитајте ги сите безбедносни предупредувања, упатства, слики и спецификации што се обезбедуваат со овој алат.** Непочитувањето на сите упатства подолу може да доведе до електричен удар, пожар и/или сериозна повреда.
- b) **Овој алат не се препорачува за пескареење, четнаше или полирање.** Операциите за кои не е наменет овој алат може да бидат ризични или да предизвикаат лична повреда.
- c) **Не користете дополнителна опрема којашто производителот на алатот специфично не ја наменува или препорачува.** Само заради тоа што одредена дополнителна опрема може да се прикачи на алатот, тоа не значи дека ќе обезбеди безбедна работа.
- d) **Номиналната брзина на дополнителната опрема мора ба биде барем еднаква на максималната брзина посочена на алатот.** Дополнителната опрема којашто работи побргу од номиналната брзина може да се откачи.

- e) **Надворешниот пресек и дебелина на употребениот прибор мора да соодветствуваат на мерните податоци на Вашиот електричен прибор.** Погрешно измерениот применет прибор не може доволно да се заштити и контролира.
- f) **Поставувањето на дополнителната опрема со протнување мора да се совпаѓа со нишната на ободот на брусилната. Нај дополнителната опрема што се поставува со крилца, целиот отвор на опремата мора да се вклопува во дијаметарот на крилцето наеде што ќе се постави.** Дополнителната опрема којашто не соодветствува на елементот за поставување кај алатот нема да работи рамномерно, ќе вибрира прекумерно и може да предизвика да ја загубите контролата.
- g) **Не користете оштетена дополнителна опрема. Проверете ја дополнителната опрема пред секоја употреба за да утврдите дали абразивните тркала содржат парчиња и пукнатини, дали потпорните подлошки имаат пукнатини, дали челичните четки имаат разлабавени или скинати жици. Ако алатот или дополнителната опрема паднат, проверете дали се оштетиле или ставете неоштетена дополнителна опрема. По проверката и поставувањето на дополнителната опрема, поставете се подалеку од опсегот на ротирачката дополнителна опрема, потоа вклучете го алатот на максималната брзина да работи една минута без оптоварување.** Оштетената дополнителна опрема обично ќе се откачи во текот на овој период за проверка.
- h) **Носете лична опрема за заштита. Зависно од употребата, носете заштита за лице, безбедносни очила или заштитна маска. Ако е соодветно, носете маска за прашина, заштита за уши, ранавизици или престилка што имаат капацитет да ги застануваат ситните абразивни честички или остатоци од работата.** Заштитата за очи мора да овозможува застанување на разлетаните остатоци од работата при разни операции. Маската за прашина или респираторот мора да имаат капацитет за филтрирање на честички коишто се генерираат при работата. Продолжено изложување на голема бучава може да го оштети слухот.
- i) **Стојте настрана на безбедно растојание од областа за работа. Секој што ќе пристапи до областа за работа мора да носи лична опрема за заштита.** Честичките од работата или од скршена дополнителна опрема може да одлетаат и да предизвикаат повреда подалеку од областа за работа.
- j) **Држете го алатот само за изолираните површини за зафаќање кога извршувате работа при која што дополнителната опрема може да дојде во контакт со сокриените жици.** Ако дополнителната опрема за сечење дојде во контакт со жица под напон, може да ги електрифицира металните делови на алатот и да предизвика електричен удар на операторот.
- k) **Поставете го кабелот подалеку од дополнителната опрема којашто се врти.** Ако изгубите контрола, кабелот може да се пресече или се попречи и раката или дланката може да се повлечат кон дополнителната опрема којашто се врти.
- l) **Никога не оставајте го алатот додека дополнителната опрема не се смири во целост.** Опремата којашто се врти може да се закачи за површината и да ја изгубите контролата врз алатот.
- m) **Не вклучувајте го алатот додека го носите отстрана.** Случајниот контакт со дополнителната опрема којашто се врти може да се заплетка во облеката и да го повлече алатот кон телото.
- n) **Редовно чистете ги отворите за вентилација на алатот.** Вентилаторот на моторот вовлекува прашина во кукиштето, а прекумерната акумулација на иситнет метал може да предизвика електричен удар.
- o) **Не работете со алатот близу запаливи материјали.** Искрите може да ги запалат овие материјали.
- p) **Не ги користете употребените прибори кои бараат течни разладни средства.** Користењето на вода или други течни разладни средства може да доведе до струен удар.
- 2) ПОВРАТЕН УДАР И СООДВЕТНИ ПРЕДУПРЕДУВАЊА**
- Повратен удар е неочекувана реакција на потфатено или заглавено тркало, подлошка, четка или која било друга дополнителна опрема. Потфаќањето или заглавувањето предизвикуваат нагло погрчување на вртењето што предизвикува алатот врз кој веќе немате контрола да се потисне во правец обратен од ротацијата на опремата кај точката на поврзување. На пример, ако абразивното тркало се потфати или заглави со остаток од работата, работ на тркалото којшто навлегува во потфатената област може да се закопа во површината на материјалот и со тоа да предизвика тркалото да се откачи или да ве бутне. Тркалото може да отскокне кон или обратно од ракувачот, зависно од правецот на движење на тркалото во моментот на потфаќање. Абразивните тркала може и да се скршат во овие услови.
 - Повратниот удар е резултат на неправилна употреба на алатот и/или несоодветна работна постапка или услови, а може да се избегне ако ги преземете неопходните безбедносни мерки како што е посочено подолу.
- a) **Одржувајте цврст зафат на алатот и поставете ги телото и раката на тој начин со којшто ќе си овозможите да ја издржите силата на повратниот удар. Секогаш служете се со дополнителната рачка ако се доставува за максимална контрола врз повратниот удар или врз реакцијата од моментот на обрт при вклучување.** Ракувачот може да ги контролира реакциите од моментот на обрт или силата на повратниот удар ако ги преземе неопходните безбедносни мерки.
- b) **Никога не ставајте ја раката близу опремата којашто се врти.** Опремата може да удри повратно преку раката.
- c) **Не поставувајте го телото во областа наеде алатот би се придвижил ако дојде до повратен удар.** Повратниот удар ќе го потисне алатот во правец обратен од вртењето на тркалото во моментот на потфаќање.
- d) **Обрнете особено внимание кога работите кај агли, остри рабови и слично. Избегнувајте**

потсконнување и потфаќање на дополнителната опрема. Аглите, острите рабови или отскокнувањето имаат тенденција да ја потфатат дополнителната опрема којшто се врти и на тој начин да изгубите контрола или да предизвикате повратен удар.

- e) **Не ставајте сечиво за резбареење на моторна пила или сечиво на пила со запки.** Таквите сечива предизвикуваат чести повратни удари и загуба на контролата.
- 3) **БЕЗБЕДНОСНИ ПРЕДУПРЕДУВАЊА ЗА ОПЕРАЦИИ СО БРУСЕЊЕ И СЕЧЕЊЕ**
- a) **Користете само типови на тркала коишто се препорачуваат за овој алат и одредената заштита произведена за избраното тркало.** Тркалата за кои овој алат не е примерен не може соодветно да се заштитат и не се безбедни.
- b) **Површината за брусење на централно снижените тркала мора да се постави под опсегот на заштитната рамка.** Неправилно поставеното тркало коешто излегува од опсегот на заштитната рамка не може да се заштити.
- c) **Заштитата мора безбедно да се закачи на алатот и да се постави за да пружи максимална безбедност на тој начин што помал дел од тркалото е изложено кон работникот.** Заштитата помага да се заштити работникот од скршени делови на тркалото, од случаен контакт со тркалото и од искри кои може да ја запалат облеката.
- d) **Тркалата мора да се користат само за препорачаните примени.** На пример: Не брусете со страната на тркалото за сечење. Абразивните тркала за сечење се наменети за периферално брусење. Применетите странични сили кај овие тркала може да предизвикаат кршење.
- e) **Сеногаш користете нештетени потпори за тркалата со соодветна димензија и форма за избраното тркало.** Соодветните потпори за тркалата го потпираат тркалото и на тој начин ја намалуваат можноста за кршење на тркалото. Потпорите за тркалата за сечење се разликуваат од оние за тркалата за брусење.
- f) **Не користете изабени тркала од поголеми алати.** Тркало наменето за поголем алат не е соодветно за поголемата брзина на помалиот алат и може да пукне.
- 4) **ДОПОЛНИТЕЛНИ БЕЗБЕДНОСНИ ПРЕДУПРЕДУВАЊА ЗА ОПЕРАЦИИ СО СЕЧЕЊЕ**
- a) **Не „заглавувајте“ го тркалото за сечење и не применувајте прекумерен притисок. Не обидувајте се да направите прекумерна длабочина при сечењето.** Ако вложите прекумерен притисок врз притисокот, тоа доведува до преоптоварување и поголема можност за превиткување или виткање на тркалото при сечењето, како и до можност за повратен удар или кршење на тркалото.
- b) **Не поставувајте го телото во линија или зад ротирачното тркало.** Кога тркалото во даден момент на работа се оддалечува од телото, можен повратен удар може да ги придвижи ротирачното тркало и алатот директно кон вас.
- c) **Нога тркалото се витна или кога прекинувате со сечење од која било причина, исклучете**

го алатот и држете го без да го поместувате додена тркалото не застане сосема. Никогаш не обидувајте се да го извадите тркалото за сечење додена се движи, во спротивно може да дојде до повратен удар. Проверете и преземете корективни дејства за да исклучите причина за виткање на тркалото.

- d) **Не започнувајте ја работата со сечење во самиот предмет за работа. Оставете тркалото да постигне полна брзина и внимателно навлезете во линијата за сечење.** Тркалото може да се свитка, да се откачи или да предизвика повратен удар ако алатот се вклучува во самиот предмет за работа.
- e) **Потпрете ги панелите или преголемите предмети за работа за да го сведете ризикот од потфаќање на тркалото или од повратен удар на минимум.** Големите предмети за работа се виткаат заради нивната тежина. Потпорите мора да се постават под предметот за работа близу линијата за сечење и близу работ на предметот за работа од двете страни на тркалото.
- f) **Обрнете особено внимание кога правите „дебен засен“ во постојни ѕидови или други слепи области.** При навлегување, тркалото може да ги пресече цевките за плин или вода, електричната инсталација или да најде на предмети коишто ќе предизвикаат повратен удар.

ДОПОЛНИТЕЛНИ УПАТСТВА ЗА БЕЗБЕДНОСТ

ОПШТИ

- Овој алат не е соодветен за мокро брусење/сечење
- Користете ги исклучиво рабовите кои сте ги добиле со овој алат
- Овој алат не треба да го користат лица под 16 години
- Отстранете ја батеријата од алатот пред сенок подесување или промена на приборот

ПРИБОР

- SKIL може да признае гаранција само доколку е користен оригинален прибор
- За поставување и користење на приборите кои не се SKIL погледнете го упатството на производителот
- **Користете само дискови за брусење/сечење со максимална дебелина од 6 мм и со отвор за осовината од 22 мм**
- Не користете редуктори или апарати за да ги ставите дисковите за стругање или сечење со преголем отвор
- Никогаш не користете прибор со отвор на “слепи” навивки помали од M14 x 21 мм
- Внимателно ракувајте со дисковите за брусење и сечење и чувајте ги за да избегнете оштетувања

ПРЕД УПОТРЕБА

- Пред првото користење на електричниот алат, се препорачува да добиете практични информации
- Сеногаш поставувајте ги дополнителната рачка E ② и заштитата F ②; никогаш не користете го алатот без нив
- **Користете соодветни детектори за наоѓање на скриени инсталации или повикајте соодветна компанија за помош** (контактот со електричните линии може да доведе до струен удар; оштетувањата во гасоводна цевка може да резултира со експлозија; пенетрирање во водоводна инсталација може да доведе до оштета на предмети или електричен удар)

- **Не обработувајте никаков материјал кој содржи азбест** (азбестот важи за предизвикувач на рак)
- Прашината од материјали како боја која содржи олово, некои видови дрво, минерали и метали, може да биде штетна за здравјето (контактот со прашина или нејзиното вдишување може да шредизвика алергии и/или болести на дишните органи за оној кој работи со алатот или луѓето во близина); **носете масна за прашина и работете со правосмукалки доколку можете да ги поврзете**
- Некои видови на прашина се канцерогени (како на пример прашина од даб или бука), особено заедно со адитиви за одржување на дрвото; **носете масна за прашина и работете со правосмукалки доколку можете да ги поврзете**
- Следете ги процедурите на вашата земја за прашина која се јавува како резултат од материјалите со кои работите
- Бидете внимателни при острење на утор, особено на носечките сидови (уторите на носечките сидови се во склад со прописите на одредени држави; овие прописи задолжително треба да се прегледаат)
- **Зацврстете го материјалот кој го обработувате** (обработка која е зацврстена со стеги или во менгема е побезбедна отколку да ја држите со раце)
- Немојте да го прицврстувате електричниот алат во менгема

ВО ТЕКОТ НА УПОТРЕБАТА

- Во случај да дојде до електричен или механички дефект, веднаш исклучете го алатот и отстранете ја батеријата
- Во случај на прекин на заштитата на батеријата или доколку батеријата се отстрани, алатката нема повторно да продолжи да работи сама од себе; за да ја вклучите, исклучете го прекинувачот on/off и повторно вклучете ја алатката ①

ПО УПОТРЕБА

- По исклучувањето на електричниот алат, никогаш не го запирајте вртењето на приборот со користење на странична сила

АНУМУЛАТОРСКА БАТЕРИЈА

- **Испорачаната батерија е делумно наполнета** (за да се обезбеди целосен капацитет на батеријата, целосно наполнете ја батеријата во полначот на батеријата пред да го употребите вашиот електричен алат за првпат)
- **Користете ги исклучиво следниве батерии и полначи со овој алат**
 - Батерија SKIL: BR1*31****
 - Полнач SKIL: CR1*31****
- Оштетената батерија не треба понатаму да се користи туку да се замени
- Не ја расклопувајте батеријата
- Никогаш не ги изложувајте на дожд алатот/батеријата
- Дозволена температура на околината (алатка/полнач/батерија):
 - при полнење 4...40°C
 - при работа -20...+50°C
 - при складирање -20...+50°C

ОБЈАСНУВАЊЕ НА СИМБОЛИТЕ ЗА АЛАТОТ/БАТЕРИЈАТА

- ③ Пред употреба прочитајте го прирачникот за употреба
- ④ Носете заштитни очила и заштита за ушите

- ⑤ Во допир со оган батериите ќе експлодираат, затоа не ги палете батериите од која било причина
- ⑥ Секогаш чувајте ги апаратот/полначот/батеријата во просторија на температура помиска од 50°C
- ⑦ Не се ослободувајте од електрични алати и батерии во домашниот отпад

УПОТРЕБА

- Полнење на акумулаторска батерија
 - ! **прочитајте ги безбедносните предупредувања и упатствата дадени со полначот**
- Вадење/инсталирање на батеријата ②
- Индикатор за нивото на батеријата ⑧
 - притиснете на индикаторот за нивото на батеријата L за да се прикаже тековното ниво на батеријата ⑧a
 - ! **ако по притискање на копчето L ⑧b почне да трепка индикаторот за најниско ниво на батеријата, тогаш батеријата е празна**
 - ! **кога ќе почне да трепка индикаторот за нивоата на батеријата 2 по притискање на копчето L ⑧c, батеријата не е во рамките на дозволеният опсег за работна температура**
- Заштита на батеријата
 - Алатот наеднаш се исклучува или не може да се вклучи, кога
 - **товарот е преголем** --> отстранете го товарот и почнете повторно
 - **температурата на батеријата не е во рамките на дозволеният опсег на работна температура од -20 до +50°C** --> 2 нивоата на индикаторот за ниво на батеријата почнуваат да трепкаат кога ќе го притиснете копчето L ⑧c; почекајте батеријата да се врати во рамките на дозволеният опсег на работна температура
 - **батеријата е скоро празна (заштита од целосно празнење)** --> на индикаторот за нивото на батеријата ќе се прикаже ниско ниво на батеријата или ќе трепка за ниско ниво на батеријата ⑧b кога ќе притиснете на копчето L; наполнете ја батеријата
 - ! **не продолжувајте да притиснете на прекинувачот за вклучување/исклучување откако алатот ќе се исклучи автоматски; батеријата ќе се оштети**
- Поставање на приборот ②
 - ! **извадете ја батеријата од машината**
 - исчистете го вретеното A и сите делови што ќе ги поставите
 - затегнете го крилцето за стегање B со клуч C додека го притискате копчето за заклучување на осовината D
 - ! **притискајте го копчето за заклучување на осовината D само кога осовината A е целосно застаната**
 - за отстранување на прибор со справи обратно
 - ! **ако дисконите за брусење/сечење во текот на работата многу се загреат; не ги допирајте додека целосно не се оладат**
 - ! **никогаш не користете дискови за брусење/сечење без ознака ("blotter") кој е залепен врз него (ако е предвидено)**
- Поставање на помошната рачка E ⑨
 - ! **извадете ја батеријата од машината**
 - зашрафете ја дополнителната рачка E оддесно,

горе и одлево на алатот (зависно од работата што треба да се заврши)

- Отстранување/поставување/прилагодување на заштитниот механизам F ⑩

! извадете ја батеријата од машината

! водете сметна затворената страна на

заштитниот механизам секогаш да биде

свртена нон операторот

- ако е неопходно, прилагодете го заштитниот браник F со затегнување на шрафот G којшто е веќе поставен при производството (**проверете дали заштитниот браник е затворен**)
- Пред користење на електричниот алат
 - проверете дали е приборот исправно поставен и силно прицврстен
 - проверете дали приборот може да се помести, така што рачно ќе го стартувате
 - пробно вклучете го алатот најмалку 60 секунди на најголема брзина во празен од и во сигурна положба
 - веднаш престанете со работата доколку дојде поголеми вибрирања или други неправилности во работата и прегледајте го алатот, за да ја одредите причината
- Прекинувач на заклучување за вклучување/исклучување J ⑪
 - вклучете на алатот ①а
 - ! внимавајте на повратната сила од алатот при вклучување**
 - ! пред дополнителниот дел да го допре делот за работа, алатот мора да работи со полна брзина**
 - заклучување на прекинувачот ①b
 - отклучете на прекинувачот/исклучете на алатот ①с
 - ! уредот треба да се подигне од работната површина пред тој да биде исклучен**
 - ! приборот се врти уште некое време, по исклучувањето на електричниот алат**
- Брусење ⑫
 - придвижувајте го електричниот алат напред-назад со лесен притисок
 - ! никогаш не користете диск за сечење за странично брусење**
- Сечење ⑬
 - при сечењето не го навалувајте алатот
 - секогаш движете го алатот во правец на стрелките на врвот на алатот, за да спречите алатот неконтролирано да се лизне од резот
 - не го притискајте електричниот алат; пуштете го дискот за сечење да работи сам
 - работната брзина на дискот за сечење зависи од материјалот што се сече
 - со страничен притисок може да го скршите дискот за сечење
- Држење и насочување на алатот
 - електричниот алат секогаш држете го силно со двете раце, за да можете во секој момент да имате целосна контрола врз него
 - ! додека работите, секогаш држете го алатот за местото (местата) кое (кои) се означени со сива боја ⑭**
 - секогаш бидете во сигурна положба
 - обрнете внимание на насоката на ротација, електричниот алат секогаш држете го така за искрите и прашина од брусењето/сечењето да

леата во насока спротивна од телото

- отворите за ладење K ② држете ги отворени
- Поставување/отстранување на клучот C ⑮
 - важи само ако алатот се со помошна рачка со вграден склад за клуч за складирање

СОВЕТИ ЗА ПРИМЕНА

- За повеќе информации видете на www.skil.com

ОДРЖУВАЊЕ/СЕРВИСИРАЊЕ

- Овој алат не е наменет за професионална употреба
- Алатот секогаш да се одржува чист (особено отворите за ладење K ②)
 - ! отстранете ја батеријата од алатот пред чистење**
- Доколку алатот и покрај внимателното работење и контрола некогаш откаже, поправката мора да ја изврши некој овластен SKIL сервис за електрични алати
 - во случај на примедба, испратете го алатот **нерасклопен**, заедно со сметкопотврдата, до вашиот продавач или најблискиот SKIL сервис (адресите се наведени на www.skil.com)
- Имајте предвид дека оштетувањето настанато заради преоптоварување или неправилно ракување со алатот ја отфрла гаранцијата (видете на www.skil.com или прашајте го продавачот за условите на гаранцијата на SKIL)

ЗАШТИТА НА ЖИВОТНАТА СРЕДИНА

- **Не се ослободувајте од електрични алати, батерии, уреди или амбалажа преку нивно фрлање во домашното губре (само за земјите на EУ)**
 - според Европската Директива 2012/19/EC за ослободување од електрична и електронска опрема и нејзина имплементација во согласност со националните закони, електричните алати кои го достигнале крајот на својот животен век мора да бидат собрани посебно и да бидат вратени во соодветен објект за рециклирање
 - симболот ⑦ ќе ве потсетува на ова кога ќе дојде време алатот да го фрлите
- ! пред да се фрли акумулаторската батерија во отпад, заштитите ги нејзините полови**

БУЧАВА / ВИБРАЦИЈА

- **3920**
Измерено во согласност со EN 60745, нивото на звучен притисок на оваа алатка е 80,5 dB(A) и нивото на звучна моќност 91,5 dB(A) (несигурност K = 3 dB), и вибрацијата при стругање на површината 5,5 m/s² (трианс векторна сума; несигурност K = 1.5 m/s²)
 - ! други примени (нако што се сечење) имаат други вредности за вибрациите**
- **3921**
Измерено во согласност со EN 60745, нивото на звучен притисок на оваа алатка е 80,0 dB(A) и нивото на звучна моќност 91,0 dB(A) (несигурност K = 3 dB), и вибрацијата при стругање на површината 4,3 m/s² (трианс векторна сума; несигурност K = 1.5 m/s²)
 - ! други примени (нако што се сечење) имаат други вредности за вибрациите**

- Нивото на емитирање на вибрации кое е наведено на задниот дел на ова упатство е измерено во согласност со стандардизираниот тест даден во EN 60745; може да се користи за да се спореди еден алат со друг, и како првична оценка за изложеноста на вибрации кога се користи алатот за споменатите примени
 - користењето на алатот за разни примени, или со различни или неправилно чувани делови, може да доведе до значајно **зголемување** на нивото на изложеност
 - кога алатот е исклучен или кога алатот е вклучен но не врши некаква работа, може да дојде до значително **намалување** на нивото а изложеност
- ! **заштитете се од ефектите на вибрациите преку одржување на алатот и неговите делови, одржување на топлината во вашите раце, и организирање на вашата работа**

AL

Gur fresibël për mprehje 3920/3921 HYRJE

- Kjo vegël pune është projektuar për mprehjen **e lehtë**, prerjen dhe harkimin e materialeve metalike dhe ato prej guri pa përdorimin e ujit
- Kjo vegël nuk është e projektuar për përdorim profesional
- **Mos ushtroni presion mbi pajisje; lëreni shpejtësinë e diskut prerës që të bëjë vetë punën**
- **Veprimet e prerjes me disqet prerëse lejohen vetëm kur përdoret një mbrojtëse për prerjen (e disponueshme si aksesori SKIL opsional 2610S00253 (3920) / 2610S00275 (3921))**
- Lexoni dhe ruani këtë manual të përdorimit ③

TË DHËNAT TEKNIKE ①

ELEMENTET E VEGËL ②

- A Boshti rrotullues
- B Fllanxha shtrënguese
- C Çelësi
- D Butoni i bllokimit të boshtit
- E Doreza ndihmëse
- F Mbrojtësja
- G Vida e mbrojtëses
- H Fllanxha e montimit
- J Çelësi bllokues i nderzjes/fikjes
- K Të çarat e ajrosjes
- L Treguesi i nivelit të baterisë
- M Leva e mbrojtëses

SIGURIA

PARALAJMËRIME TË PËRGJITHSHME TË SIGURISË PËR PAJISJET ELEKTRIKE

PARALAJMËRIM: Lexoni të gjitha paralajmërimet, udhëzimet, ilustrimet dhe specifikimet e dhëna me këtë mjet pune. Mosrespektimi i të gjitha udhëzimeve të rënditura më poshtë mund të rezultojë në goditje elektrike, zjarr dhe/ose dëmtime të rënda.

Ruani të gjitha paralajmërimet dhe udhëzimet për referencë në të ardhmen.

Termi "pajisje elektrike" në paralajmërimi i referohet pajisjes elektrike që përdoret nga priza (me kablo) ose pajisjes elektrike me bateri (pa kablo).

1) SIGURIA E ZONËS SË PUNËS

- a) **Mbajeni zonën e punës të pastër dhe të ndriçuar mirë.** Zonat e çrregullta ose të errëta janë një ftesë për aksidente.
- b) **Mos i përdorni pajisjet elektrike në situata me mundësi shpërthimi, si në prani të lëngjeve, gazeve ose pluhurave të djegshëm.** Pajisjet elektrike shkaktojnë shkëndija që mund të nderzin pluhurat ose avujt.
- c) **Mbajini fëmijët dhe personat e tjerë larg gjatë përdorimit të veglës së punës.** Tërheqja e vëmendjes mund të shkaktojë humbjen e kontrollit.

2) SIGURIA ELEKTRIKE

- a) **Spinat e veglës së punës duhet të përputhen me prizën. Mos modifikoni kurrë spinën në asnjë mënyrë. Mos përdorni asnjë spinë përshtatëse me veglat e punës me tokëzim.** Spinat e pamodifikuar dhe prizat përshtatëse do të zvogëlojnë rrezikun e goditjes elektrike.
- b) **Shmangni kontaktin trupor me sipërfaqe të tokëzuara si tuba, radiatorë, soba dhe frigoriferë.** Ka një rrezik më të madh të goditjeve elektrike nëse trupi është i tokëzuar.
- c) **Mos ekspozoni veglat e punës në shi ose në kushte me lagështi.** Uji që hyn në veglën e punës do të rritë rrezikun e goditjes elektrike.
- d) **Mos abuzoni me kordonin. Mos e përdorni kurrë kordonin për transportin, tërheqjen ose heqjen e spinës së veglës së punës. Mbajeni kordonin larg nga nxehtësia, vaji, anët e mprehta ose pjesët që lëvizin.** Kordonët e dëmtuar ose e bllokuar rrisin rrezikun e goditjes elektrike.
- e) **Kur përdorni një vegël pune në mjedise të jashtme, përdorni një kordon zgjatues të përshtatshëm për përdorim në mjedise të jashtme.** Përdorimi i një kordoni të përshtatshëm për përdorime në mjedise të jashtme zvogëlon rrezikun e goditjes elektrike.
- f) **Nëse përdorimi i veglës së punës në një vend me lagështi është i pashmangshëm, përdorni një automat çarku me shkarkesë me tokëzim.** Përdorimi i një automati me shkarkesë me tokëzim zvogëlon rrezikun e goditjes elektrike.

3) SIGURIA PERSONALE

- a) **Qëndroni në gatishmëri, shikoni se çfarë po bëni dhe përdorni gjykimin kur përdorni një vegël pune.** Mos e përdorni një vegël pune kur jeni i lodhur ose nën ndikimin e ilaçeve, alkoolit ose mjekimit. Një moment humbje e vëmendjes gjatë përdorimit të veglave të punës mund të shkaktojë dëmtime të rënda personale.
- b) **Përdorni pajisje personale mbrojtëse. Mbani gjithmonë pajisje për mbrojtjen e syve.** Pajisjet mbrojtëse si maska kundër pluhurit, këpucët që nuk rrëshqasin, kaskat ose pajisjet për mbrojtjen e veshëve për kushtet përkatëse do të zvogëlojnë dëmtimet personale.

- c) **Parandaloni ndezjen e rastësishme. Sigurohuni që çelësi është në pozicionin fikur para se të lidhni burimin e energjisë dhe/ose baterinë, para se të merrni ose të transportoni pajisjen.** Transportimi i veglave të punës me gishtin në çelës ose aktivizimi i veglave të punës që kanë çelësin të ndezur është një ftesë për aksidente.
- d) **Hiqni çdo çelës ose çelës përshtatës para ndezjes së veglës së punës.** Një çelës i lënë i lidhur me një pjesë rrotulluese të veglës së punës mund të shkaktojë dëmtime personale.
- e) **Mos u zgjasni. Mbani një vendosje të mirë të këmbëve dhe një ekuilibër të mirë në çdo moment.** Kjo gjë bën të mundur një kontroll më të mirë të veglës së punës në situata të papritura.
- f) **Vishuni në mënyrën e duhur. Mos vishni veshje të gjera ose bizhuteri. Mbani flokët, veshjet dhe dorashkat larg nga pjesët lëvizëse.** Veshjet e gjera, bizhuteritë ose flokët e gjatë mund të kapen nga pjesët në lëvizje.
- g) **Nëse janë ofruar pajisje për lidhjen e pajisjeve të mbledhjes dhe nxjerrjes së pluhurave, sigurohuni që ato të jenë të lidhura dhe të përdoren si duhet.** Përdorimi i mbledhjes së pluhurave mund të zvogëlojë rrezikun në lidhje me pluhurat.
- h) **Mos lejoni që familjarizimi i fituar nga përdorimi i shpeshtë i veglave t'ju lejojë të tregoheni të vetëkënaqur dhe të shpërfillni parimet e sigurisë për pajisjet.** Një veprim i pakujdesshëm mund të shkaktojë dëmtime të rënda në më pak se një sekondë.
- 4) PËRDORIMI DHE KUJDESI PËR VEGLËN E PUNËS**
- a) **Mos ushtroni forcë mbi veglën e punës.** Përdorni veglën e punës të duhur për përdorimin tuaj. Vegla e punës e duhur do të realizojë një punë më të mirë dhe më të sigurt dhe me shpejtësinë që ajo është e projektuar.
- b) **Mos përdorni veglën e punës nëse çelësi nuk e ndez apo e fik.** Çdo vegël pune që nuk mund të kontrollohet me anë të çelësit është e rrezikshme dhe duhet të riparohet.
- c) **Shkëputni spinën nga burimi i energjisë dhe/ose baterinë nga vegla e punës para se të bëni rregullime të tjera, të ndryshoni aksesoret ose të ruani veglat e punës.** Këto masa parandaluese të sigurisë ulin rrezikun e ndezjes aksidentale të veglës së punës.
- d) **Mbani veglat e punës larg fëmijëve dhe mos lejoni personat e pamësuar me veglën e punës ose këto udhëzime për përdorimin e pajisjes.** Veglat e punës janë të rrezikshme në duart e përdoruesve të patrajnuar.
- e) **Mirëmbani veglat e punës. Kontrolloni për mospërshtatje ose bllokim të pjesëve lëvizëse, thyerje të pjesëve dhe gjendje të tjera që mund të ndikojnë në funksionimin e veglës së punës.** Nëse dëmtohet, riparojeni veglën e punës para përdorimit. Shumë aksidente shkaktohen nga veglat e punës jo të mirëmbajtura si duhet.
- f) **Mabajni pajisjet prerëse të pastra dhe të mprehta.** Pajisjet e prerjes të mirëmbajtura dhe me anë të mprehta kanë më pak mundësi për t'u bllokuar dhe janë më të lehta për t'u kontrolluar.
- g) **Përdorni veglat e punës, aksesoret dhe puntot, etj. në përputhje me këto udhëzime, duke marrë**

- parasysh kushtet e punës dhe punën që do të kryhet.** Përdorimi i veglave për përdorime të ndryshme nga ato të përcaktuara mund të shkaktojë rreziqe.
- h) **Mabajni dorezat dhe sipërfaqet ku mbaheni të thata, të pastra dhe pa vajra ose graso.** Dorezat dhe sipërfaqet ku mbaheni, kur janë të rrëshqitshme, nuk ju lejojnë ta menaxhoni dhe ta kontrolloni në mënyrë të sigurt pajisjen në situata të papritura.
- 5) PËRDORIMI DHE KUJDESI PËR VEGLËN ME BATERI**
- a) **Karikojeni vetëm me karikuesin e përcaktuar nga prodhuesi.** Një karikues që është i përshtatshëm për një lloj baterie mund të krijojë rrezik për zjarr kur përdoret me një bateri tjetër.
- b) **Përdorni veglat e punës vetëm me bateritë e përcaktuara respektivisht.** Përdorimi i çdo baterie tjetër mund të krijojë rrezik për dëmtime dhe zjarr.
- c) **Kur bateria nuk është në përdorim, mbajeni larg nga objektet e tjera metalike si kapësë e letrës, monedhat, çelësat, gozhdët, vidat ose objektet e tjera të vogla metalike që mund të bëjnë lidhjen e një terminali me terminalin tjetër.** Lidhja e shkurtër e terminalëve të baterisë mund të shkaktojë djegie ose zjarr.
- d) **Në kushte abuzimi, nga bateria mund të rrjedhin lëngje; shmangni kontaktin me to. Në rast se ndodh aksidentalisht kontakti, shpëlajeni me ujë. Në rast se lëngu bie në kontakt me sytë, kërkoni edhe ndihmë mjekësore.** Lëngu i rrjedhur nga bateria mund të shkaktojë acarime ose djegie.
- e) **Mos e përdorni një pako baterish ose një vegël që është e dëmtuar apo e modifikuar.** Bateritë e dëmtuara ose të modifikuara mund të shfaqin sjellje të paparashikuara, duke shkaktuar zjarr, shpërthim ose rrezik për lëndimin tuaj.
- f) **Mos e ekspozoni një pako baterish ose një vegël ndaj zjarrit ose temperaturës shumë të lartë.** Ekspozimi ndaj zjarrit ose një temperature mbi 130°C mund të shkaktojë shpërthim.
- g) **Ndiqni të gjitha udhëzimet për karikimin dhe mos e karikoni pakon e baterive ose veglën jashtë gamës së temperaturës që specifikohet tek udhëzimet.** Karikimi i papërshtatshëm ose në temperatura jashtë gamës së specifikuar mund të dëmtojë baterinë dhe të rritë rrezikun për zjarr.
- 6) SHËRBIMI**
- a) **Shërbimi i veglës së punës duhet të kryhet nga një person i kualifikuar për riparimet duke përdorur vetëm pjesë ndërrimi identike.** Kjo gjë do të sigurojë ruajtjen e sigurisë së veglave të punës.
- b) **Mos kryeni asnjëherë shërbimin për pakot e baterive.** Shërbimi për pakot e baterive duhet të kryhet vetëm nga prodhuesi ose ofruesi e autorizuar të shërbimit.

UDHËZIMET E SIGURISË PËR MPREHËSET KËNDORE

- 1) PARALAJMËRIMET E SIGURISË TË ZAKONSHME PËR VEPRIMET E MPREHJES DHE TË PRERJES ME GËRRYERJE**
- a) **Kjo vegël pune është e projektuar të përdoret si pajisje për mprehje ose për prerje. Lexoni të gjitha paralajmërimet e sigurisë, udhëzimet, ilustrimet dhe specifikimet të dhëna me këtë vegël pune.**

- Mosrespektimi i të gjitha udhëzimeve më poshtë mund të rezultojë në goditje elektrike, zjarr dhe/ose dëmtime të rënda.
- b) **Kjo vegël pune nuk rekomandohet për smerilim, fërkim me tej ose për lustrime.** Veprimet për të cilat nuk është i përcaktuar përdorimi i kësaj vegle, mund të shkaktojnë një rrezik dhe të shkaktojnë lëndime personale.
 - c) **Mos përdorni aksesore që nuk janë të projektuar dhe të rekomanduara në mënyrë specifike nga prodhuesi i pajisjes.** Vetëm fakti se aksesori mund të lidhet me veglën e punës nuk garanton një përdorim të sigurt.
 - d) **Shpejtësia nominale e aksesorit duhet të jetë të paktën e barabartë me shpejtësinë maksimale në veglën e punës.** Aksesori që punojnë më shpejt se shpejtësia e tyre nominale mund të shkëputen e të fluturojnë.
 - e) **Diametri i jashtëm dhe trashësia e aksesorit duhet të jenë brenda vlerësimit të kapacitetit të veglës së punës.** Aksesori me madhësi të gabuara nuk mund të kontrollohen dhe të ruhen si duhet.
 - f) **Montimi me filetimit i aksesorëve duhet të përputhet me filetimin e boshtit të pajisjes mëprehëse. Për aksesori që montohen me flanaxha, vrima e boshtit kryesor të aksesorit duhet të përputhet me diametrin e vendosjes së flanaxhës.** Aksesori që nuk përputhen me mekanizmin e montimit të veglës së punës do të humbin ekuilibrin, do të dridhen më shumë se sa duhet dhe mund të shkaktojnë humbje të kontrollit.
 - g) **Mos përdorni një aksesor të dëmtuar. Para çdo përdorimi, kontrolloni aksesorët si rrotat gërryese për krisje ose ciflosje, fletët mbështetëse për krisje, çarja ose konsum të tepërt, furçat e telit për tela të liruar ose të thyer. Nëse vegla e punës ose aksesori ju bie, kontrollojeni për dëmtime ose montoni një aksesor të padëmtuar. Pasi të kontrolloni dhe të montoni një aksesor, qëndroni dhe vendosni personat e tjerë larg nga plani i aksesorit rrotullues dhe përdoren veglën e punës me shpejtësi maksimale pa ngarkesë për një minutë.** Aksesori e dëmtuar normalisht do të thyhen gjatë kësaj kohe prove.
 - h) **Përdorni pajisje personale mbrojtëse. Në varësi të punës, përdorni mbrojtëse për fytyrën, syze ose maska sigurie. Sipas nevojës, mbani maska për pluhurat, mbrojtëse për dëgjimin, doreza dhe përparëse pune që mund të ndalojnë fragmentet e vogla gërryese ose të materialit të punës.** Mbrojtëset e syve duhet të arrijnë të ndalojnë copëzat që fluturojnë të krijuara nga përdorimet e ndryshme. Maska e pluhurave ose respiratori duhet të arrijnë të filtrojnë grimcat e krijuara nga veprimi juaj. Ekspozimi i gjatë ndaj zhurmave me intensitet të lartë mund të shkaktojë humbje të dëgjimit.
 - i) **Mbajini personat e tjerë larg në një distancë të sigurt nga zona e punës. Çdo person që hyn në zonën e punës duhet të veshë pajisje personale mbrojtëse.** Fragmentet e materialit të punës ose të një aksesorit të thyer mund të fluturojnë dhe të shkaktojnë lëndime jashtë zonës direkte të punës.
 - j) **Mbajeni veglën e punës nga sipërfaqet e izoluar të kapjes, kur kryeni një veprim ku aksesori i mund të bjerë në kontakt me tela të fshehur. Një aksesor që bie në kontakt me një tel elektrik mund të bëjë që**
- pjesët metalike të ekspozuara të veglës së punës të përcjellin energjinë elektrike dhe të shkaktojnë goditjen e operatorit.
- k) **Vendosni kordonin larg aksesorit rrotullues.** Nëse humbni kontrollin, kordoni mund të pritret ose të ngecë dhe dora ose krahu juaj mund të tërhiqet në aksesorin rrotullues.
 - l) **Mos e lini kurrë poshtë veglën e punës deri sa aksesori të ndalojë plotësisht.** Aksesori rrotullues mund të kapet në sipërfaqe dhe të bëjë që vegla e punës të dalë nga kontrolli.
 - m) **Mos e aktivizoni veglën e punës kur e transportoni ose e mbani në krah.** Kontakti aksidental me aksesorin rrotullues mund të shkaktojë ngecjen në roba, duke e tërhequr aksesorin drejt trupit.
 - n) **Pastroni rregullisht vrimat e ajrimit të veglës së punës.** Ventilatori i motorit tërheq pluhurat në kasë dhe grumbullimi i tepërt i metaleve në formë pluhuri mund të shkaktojë rrezik nga elektriciteti.
 - o) **Mos e përdorni veglë e punës afër materialeve të djegshme.** Shkëndijat mund t'i ndezin materialet.
 - p) **Mos përdorni aksesore që kërkojnë ftohës të lëngshëm.** Përdorimi i ujit ose ftohësve të tjerë të lëngshëm mund të shkaktojë goditje ose aksidente elektrike.
- 2) GODITJA E KTHIMIT DHE PARALAJMËRIMET PËRKATËSE**
- Goditja e kthimit është një reagim i papritur i një rrote rrotulluese, flete mbështetëse, furçe ose aksesor tjetër të kapur ose të ngecur. Ngecja ose bllokimi shkakton ndalimin e menjëhershëm të aksesorit rrotullues i cili më pas bën që vegla e punës jashtë kontrollit të lëvizë në drejtimin e kundërt të rrotullimit të aksesorit në pikën e bllokimit.
 - Për shembull, nëse një rrotë gërryese ngec ose kapet të materiali, ana e rrotës që futet në pikën e bllokimit mund të ngulet në sipërfaqen e materialit duke bërë që rrota të ngrihet ose të goditet. Rrota mund të kërcejë drejt ose larg nga përdoruesi, në varësi të drejtimin të lëvizjes së rrotës në pikën e bllokimit. Rrotat gërryese mund të thyhen gjithashtu në këto kushte.
 - Goditja e kthimit është rezultat i keqpërdorimit të veglës së punës dhe/ose procedurave ose kushteve të papërshtatshme të funksionimit dhe mund të shmanget duke ndërmarrë masat paraprake të duhura si më poshtë.
- a) **Mbajeni mirë veglën e punës dhe pozicionin trupin dhe krahnun në mënyrë të tillë që t'i përballojnë forcat e goditjes së kthimit.** Përdorni gjithmonë një dorezë ndihmëse, nëse ka, për një kontroll maksimal mbi goditjen e kthimit ose reagimin ndaj rrotullimit gjatë ndezjes. Përdoruesi mund të kontrollojë reagimet e forcës rrotulluese ose forcat e goditjes së kthimit nëse merren masat e duhura.
 - b) **Mos vendosni kurrë dorën afër aksesorit rrotullues.** Aksesori mund të shkaktojë goditjen e kthimit mbi dorë.
 - c) **Mos u poziciononi në zonën ku mund të lëvizë vvegla e punës nëse ndodh goditja e kthimit.** Goditja e kthimit do ta lëvizë veglën në drejtimin e kundërt me lëvizjen e rrotës në pikën e bllokimit.
 - d) **Kini shumë kujdes kur punoni me cepat, anë të mprehta, etj. Shmangni kërcimin ose ngecjen e aksesorit.** Cepat, anë të mprehta ose kërcimet kanë tendencë që të bllokojnë aksesorin rrotullues dhe të shkaktojnë humbjen e kontrollit ose goditjen e kthimit.

- e) **Mos lidhni një thikë druri të zinxhirit të sharrës ose një thikë sharre me dhëmbë.** Thika të tilla shkaktojnë shpesh goditje kthimi dhe humbje kontrolli.
- 3) **PARALAJMËRIMET E SIGURISË SPECIFIKE PËR VEPRIMET E MPREHJES DHE TË PRERJES**
- a) **Përdorni vetëm llojhet e disqeve të rekomanduara për veglën e punës dhe mbrojtësen specifike të projektuar për diskun e zgjedhur.** Disqet për të cilat nuk është parashikuar kjo vegël, nuk mund të mbrohen në mënyrë e duhur dhe nuk janë të sigurt.
- b) **Sipërfaqja e mprehjes e rrotave të shtypura në qendër duhet të montohet poshtë planit të buzës së mbrojtëses.** Rrota e montuar gabim që del nëpër planin e buzës së mbrojtëses nuk ka mbrojtjen e duhur.
- c) **Mbrojtësja duhet të lidhet mirë me veglën e punës dhe të pozicionohet për siguri maksimale, në mënyrë që disku të ekspozohet sa më pak nga përdoruesi.** Mbrojtësja ndihmon në mbrojtjen e operatorit nga copëzat e thyera të diskut, kontaktet aksidentale me diskun dhe shkëndijat që mund të ndezin veshjet.
- d) **Disqet duhet të përdoren vetëm për veprimet e rekomanduara.** Për shembull: Mos mprehni me pjesën anësore të diskut prerës. Disqet gërryerëse të prerjes janë të projektuara për mprehje periferike; forcat anësore të zbatuara mbi këto disqe mund të shkaktojnë thyerjen e tyre.
- e) **Përdorni gjithmonë fllanxha disku të padëmtuara me madhësi dhe formën e duhur për diskun e zgjedhur.** Fllanxhat e saktë të diskut mbështesin diskun duke zvogëluar mundësinë e thyerjes së diskut. Fllanxhat për disqet prerëse mund të jenë të ndryshme nga fllanxhat e disqeve mprehëse.
- f) **Mos përdorni disqe të konsumuara nga vegla pune më të mëdha.** Një disk i projektuar për një vegël pune më të madhe nuk është i përshtatshëm për shpejtësinë më të madhe të një vegle më të vogël dhe mund të plasë.
- 4) **PARALAJMËRIME SHITESË TË SIGURISË PËR VEPRIMET E PRERJES**
- a) **Mos e sforconi diskun e prerjes dhe mos ushtroni forcë të tepërt.** Mos u përpiqni të bëni një prerje me thellësi mjaft të madhe. Sforcimi i diskut rrit ngarkesën dhe mundësinë e përdredhjes ose ngecjes së diskut brenda në prerje si dhe mundësinë e goditjes së kthimit ose të thyerjes së diskut.
- b) **Mos u poziciononi në drejtimin e diskut rrotullues apo prapa tij.** Kur disku në pikën e punës largohet nga trupi juaj, një goditje e mundshme e kthimit mund të lëvizë diskun rrotullues dhe veglën e punës në drejtimin tënd.
- c) **Kur disku ngec ose kur ndërprisni prerjen për një arsye të caktuar, fikeni veglën e punës dhe mbajeni veglën të palëvizur deri sa disku të ndalojë plotësisht.** Mos u përpiqni kurrë të hiqni diskun e prerjes nga prerja kur disku është në lëvizje, në rast të kundërt mund të ndodhi një goditje kthimi. Kontrolloni dhe kryeni veprime korrigjuese për të eliminuar shkakun e bllokimit të diskut.
- d) **Mos rifilloni veprimin e prerjes në materialin e punës.** Lëreni diskun të arrijë shpejtësinë maksimale dhe rifuteni me kujdes të prerja. Disku mund të ngecë, mund të dalë jashtë ose të kthehet prapa nëse vegla rindizet brenda në materialin e punës.
- e) **Mbështetini mirë panelet ose materialet shumë të mëdha për të minimizuar rrezikun e ngecjes ose të**

- goditjes së kthimit të diskut.** Materialet e mëdha kanë tendencën të epen nën peshën e tyre. Mbështetëset duhet të vendosen poshtë materialit të punës afër vijës së prerjes dhe anës së materialit në të dy krahet e diskut.
- f) **Kini shumë kujdes kur krijoni një prerje “xhep” në mure ekzistuese ose zona të tjera të panjohura.** Disku që del mund të presë tubat e gazit ose ujit, telat elektrikë ose objekte që mund të shkaktojnë goditjen e kthimit.

UDHËZIMET E SHITESË PËR SIGURINË

TË PËRGJITHSHME

- Kjo vegël nuk është e përshtatshme për mprehje/prerje në lagështi
- Përdorni vetëm fllanxhat që shoqërojnë këtë vegël
- Kjo pajisje nuk duhet të përdoret nga personat nën moshën 16 vjeç
- **Hiqeni baterinë nga pajisja para se të bëni ndonjë rregullim ose të ndërroni ndonjë aksesor**

AKSESORËT

- SKIL mund të garantojë funksionimin pa probleme të veglës vetëm kur përdoren aksesorët origjinalë
- Për montimin/përdorimin e aksesorëve ju nga SKIL, ndiqni udhëzimet e prodhuesit përkatës
- **Përdoreni vetëm me disqe mprehës/prerës me një trashësi maksimale prej 6 mm dhe një diametër të vrimës së boshtit prej 22 mm**
- Mos përdorni kurrë zvogëluar ose përshtatës për të vendosur disqe mprehëse/prerëse me vrima të mëdha
- Mos përdorni kurrë aksesorë më një vrimë me fileto “të mbyllur” më të vogël se M14 x 21 mm
- Manovroni dhe ruajini me kujdes disqet mprehëse/prerëse për të shmangur krisjet ose çarjet

PARA PËRDORIMIT

- Para se ta përdorni veglën për herë të parë, rekomandohet që të merrni informacione praktike
- Montoni gjithmonë dorezën ndihmëse E ② dhe mbrojtësen F ②; mos e përdorni kurrë veglën pa të
- **Përdorni detektorë përkatës për të gjetur linjat e fshehura të shërbimit ose telefononi kompaninë lokale të shërbimeve për ndihmë** (kontakti me linjat elektrike mund të shkaktojë zjarr ose goditje elektrike; dëmtimi i një linje gazi mund të shkaktojë një shpërthim; shpimi i një tubi uji do të shkaktojë dëmtim të pronës ose një goditje elektrike)
- **Mos punoni me materialet që përmbajnë asbest** (asbesti konsiderohet kancerogjen)
- Pluhurat nga materialet si boja me plumb, disa lloje drurësh, mineralesh dhe metalesh mund të jenë të dëmshme (kontakti ose thithja e pluhurave mund të shkaktojë reagime alergjike dhe/ose sëmundje respiratore për përdoruesin ose personat përreth); **mbani një maskë për pluhurat dhe punoni me një pajisje për heqjen e pluhurave kur mund të lidhet**
- Disa lloje pluhurash skanë klasifikuar si kancerogjene (si pluhuri i lisit dhe i ahut) veçanërisht në ndërthurje me lëndët shitesë për kondicionimin e drurit; **mbani një maskë për pluhurat dhe punoni me një pajisje për heqjen e pluhurave kur mund të lidhet**
- Respektoni kërkesat kombëtare në lidhje me pluhurat për materialin me të cilat dëshironi të punoni
- Kini kujdes kur prisni kanale, veçanërisht në murë mbështetëse (të çarët në muret mbështetëse janë objekt i rregulloreve specifike të shtetit; këto rregullore duhet të merren parasysh në çdo rrethanë)

- **Siguroni materialin e punës** (një material i shtrënguar me një pajisje shtrëngimi ose morskë mbahet në mënyrë më të sigurt se sa me dorë)

- Mos e shtrëngoni veglën në një morskë

GJATË PËRDORIMIT

- Në rast të një defekti elektrik ose mekanik, fikni menjëherë mjetin dhe hiqni baterinë
- Në rast të ndërprerjes për shkak të mbrojtjes së baterisë, ose kur hiqet bateria, mjeti do të rindizet vetë; për të rindezur mjetin, lironi çelësin on/off dhe ndizeni mjetin përsëri ①

PAS PËRDORIMIT

- Pas fikjes së veglës, mos e ndaloni kurrë rrotullimin e aksesorit duke ushtruar një forcë anësore

BATERIVE

- **Bateria e dhënë është pjesërisht e karikuar** (për të siguruar kapacitet të plotë të baterisë, karikojeni baterinë plotësisht në karikuesin e baterisë para se ta përdorni mjetin për herë të parë)
- **Përdorni vetëm bateritë dhe karikuesit e mëposhtëm me këtë mjet**
 - Bateria SKIL: BR1*31****
 - Karikues SKIL: CR1*31****
- Mos e përdorni baterinë kur është dëmtuar; ajo duhet rindëruar
- Mos e çmontoni baterinë
- Mos e ekspozoni mjetin/baterinë në shi
- Lejohet temperatura e ambientit (vegël/karikuesin/bateri):
 - kur karikoni 4...40°C
 - gjatë punës -20...+50°C
 - gjatë magazinimit -20...+50°C

SHPJEGIMI I SIMBOLEVE NË VEGJËL/BATERI

- ③ Lexoni manualin e udhëzimeve para përdorimit
- ④ Mbani syze mbrojtëse dhe pajisje mbrojtëse për dëgjimin
- ⑤ Bateritë mund të shpërthejnë kur hidhen në zjarr, prandaj mos i digjini bateritë për asnjë arsye
- ⑥ Ruajeni veglën/karikuesin/baterinë në vende ku temperatura nuk do të kalojë 50°C
- ⑦ Mos i hidhni veglat elektrike dhe bateritë së bashku me materialet e mbeturinave familjare

PËRDORIMI

- Karikimi i baterisë
 - ! **lexoni paralajmërimet dhe udhëzimet e sigurisë të dhëna me karikuesin**
- Heqja/instalimi i baterisë ②
- Treguesi i nivelit të baterisë ③
 - shtypni butonin tregues të nivelit të baterisë L për të treguar nivelin aktual të baterisë ③a
 - ! **kur fillon të pulsojë niveli më i ulët i treguesit të baterisë pasi keni shtypur butonin L ③b, bateria është bosh**
 - ! **kur fillojnë të pulsojnë nivelet 2 të treguesit të baterisë pasi keni shtypur butonin L ③c, bateria nuk është brenda temperaturës së lejuar**
- Mbrojtja e baterisë
 - Mjeti fiket papritur ose nuk ndizet kur
 - **ngarkesa është shumë e lartë** --> hiqeni ngarkesën dhe ndizeni përsëri
 - **temperatura e baterisë nuk është brenda nivelit të lejuar të temperaturës nga -20 në +50°C** --> 2 nivelet e treguesit të nivelit të baterisë fillojnë të pulsojnë kur shtypni butonin L ③c; prisni derisa bateria të jetë brenda temperaturës së lejuar

- **bateria është thuarje bosh (për t'u mbrojtur nga dëmtimi për shkak të shkarkimit të thellë)** --> niveli i ulët i baterisë ose pulsimi për shkak të nivelit të ulët të baterisë ③b tregohet në treguesin e nivelit të baterisë kur shtypni L; karikoni baterinë

! **mos vazhdoni të shtypni çelësin e ndezjes/fikjes pasi pajisja të fiket automatikisht; bateria mund të dëmtohet**

- Montimi i aksesoreve ②
 - ! **hiqeni gjithmonë baterinë nga vegla**
 - pastroni boshtin kryesor A dhe të gjitha pjesët që do të montohen
 - shtrëngoni fllanxhën shtrënguese B me çelës C ndërsa shtyni butonin e bllokimit të boshtit D
 - ! **shtypni butonin e bllokimit të boshtit rrotullues D vetëm kur boshti A të jetë e palëvizshme**
 - për heqjen e aksesoreve të trajtoje anasjelltas
 - ! **disqet mprehëse/prerëse nxehen shumë gjatë përdorimit; mos i prekni deri sa të ftohen**
 - ! **mos përdorni kurrë një disk mprehës/prerës pa një etiketë ("thithëse") që i ngjitet sipër (nëse ka)**
 - Montimi i dorezës ndihmëse E ⑨
 - ! **hiqeni gjithmonë baterinë nga vegla**
 - vidhosni dorezën ndihmëse E në të djathtë, sipër ose në të majtë të veglës (në varësi të punës që do të kryhet)
 - Heqja/montimi/rregullimi i mbrojtëses F ⑩
 - ! **hiqeni gjithmonë baterinë nga vegla**
 - ! **sigurohuni që ana e mbyllur e mbrojtëses është e drejtuar gjithmonë nga operatori**
 - nëse është e nevojshme, rregulloni mbrojtësen F duke shtrënguar vidën G që është e caktuar paraprakisht në fabrikë (**sigurohuni që mbrojtësja është e mbyllur**)
 - Para përdorimit të veglës
 - sigurohuni që aksesori të jetë i montuar si duhet dhe të jetë i shtrënguar mirë
 - kontrolloni nëse aksesori lëviz lirshëm duke e rrotulluar me dorë
 - ndizeni veglën për provë për të paktën 60 sekonda me shpejtësinë më të lartë pa ngarkesë në një pozicion të sigurt
 - ndalojeni menjëherë në rast të dridhjeve të shumta ose defekteve të tjera dhe kontrolloni veglën për të përcaktuar shkakun
 - Çelësi bllokues i ndezjes/fikjes J ⑪
 - ndizeni veglën ⑪a
 - ! **kini kujdes për goditje të papritura kur ndizeni pajisjen**
 - ! **para se aksesori të prekë materialin e punës, vegla duhet të punojë me shpejtësi të plotë**
 - bllokoni çelësin ⑪b
 - zhbllokoni çelësin/fikni veglën ⑪c
 - ! **para se ta fikni veglën, ju duhet ta ngrini atë nga materiali i punës**
 - ! **aksesori vazhdon të rrotullohet për pak kohë pas fikjes së veglës**
 - Mprehja ⑫
 - lëvizni pajisjen para prapa me një trysni mesatare
 - ! **mos përdorni kurrë një disk prerës për mprehje anësore**

- Prerja ¹³
 - mos e anoni veglën gjatë procesit të prerjes
 - lëvizjen gjithmonë veglën në të njëjtin drejtim si shigjeta në kokën e pajisjes, për të parandaluar daljen e saj nga vendi i prerjes në mënyrë të pakontrolluar
 - mos ushtroni presion mbi pajisje; lëreni shpejtësinë e diskut prerës që të bëjë vetë punën
 - shpejtësia e punës e diskut të prerjes varet nga materiali që do të pritët
 - mos i frenoni disqet prerëse duke ushtruarpresion anësor
- Mbatja dhe drejtimi i veglës
 - mbajeni gjithmonë veglën mirë me të dyja duart, në mënyrë që të kenë kontroll të plotë të veglës në të gjitha momentet
- ! **gjatë punës, mbajeni gjithmonë veglën në zonën(at) e dorzës me ngjyrë gri** ¹⁴
 - garantoni një qëndrim të sigurt
 - kini parasysh drejtimin e rrotullimit; mbajeni gjithmonë veglën në mënyrë që shkëndijat dhe pluhuri i mpresjes/ prerjes të largohet nga trupi juaj
 - mbajini të çarat e ajrimit K ² të pambuluara
- Montimi/heqja e spanerit C ¹⁵
 - zbatohet vetëm nëse mjeti ekzekutohet me dorzë ndihmëse me ruajtje të integruar të spanerit

KËSHILLË PËR PËRDORIMIN

- Për më shumë informacion, shikoni www.skil.com

MIRËMBAJTJA / SHËRBIMI

- Kjo vegël nuk është e projektuar për përdorim profesional
- Gjithmonë mbajeni mjetin të pastër (sidomos vrimat e ajrimit K ²)
 - ! **hiqeni baterinë nga mjeti para se ta pastroni**
- Nëse pajisja ka defekt pavarësisht kujdesit në prodhim dhe procedurat e provave, riparimi duhet të kryhet nga një qendër e shërbimit pas shitjes për veglat e punës të SKIL
 - dërgoni veglën **të çmontuar** së bashku me vërtetimin e blerjes te shitësi ose te qendra më e afërt e shërbimit e SKIL (adresat si dhe diagrami i shërbimit i veglës janë të paraqitura në www.skil.com)
- Kini parasysh se dëmtimet për shkak të mbingarkesës ose manovrimit të papërshtatshëm të veglës janë të përjashtuara nga garancia (për kushtet e garancisë së SKIL vizitoni www.skil.com ose pyetni shitësin tuaj)

MJEDISI

- **Mos i hidhni veglat elektrike, bateritë, aksesorët dhe paketimin së bashku me materialet e mbeturinave familjare** (vetëm për vendet e BE-së)
 - në respektim të Direktivës evropiane 2012/19/EC për pajisjet elektrike dhe elektronike si mbetje dhe zbatimin e saj në përputhje me ligjet kombëtare, pajisjet elektrike që kanë arritur në fund të jetëgjatësisë së tyre duhet të mbledhen të ndara dhe të kthehen në një objekt riciklimi në përputhje me mjedisin.
 - simboli ⁷ do t'ju kujtojë për këtë gjë kur të jetë nevoja për t'i hedhur
- ! **para hedhjes mbroni terminalët e baterisë me ngjitës të fortë për të parandaluar qarkun e shkurtër**

ZHURMA / VIBRIMI

- **3920**
 - I matur sipas EN 60745, niveli i presionit të zhurmës së këtij mjeti është 80,5 dB(A) dhe niveli i fuqisë së zhurmës 91,5 dB(A) (pasiguria K = 3 dB), dhe dridhja kur fërkohet sipërfaqja 5,5 m/s² (shuma e vektorit triax; pasiguria K = 1.5 m/s²)
 - ! **përdorimet e tjera (si prerja) mund të ketë vlera të ndryshme të dridhjes**
- **3921**
 - I matur sipas EN 60745, niveli i presionit të zhurmës së këtij mjeti është 80,0 dB(A) dhe niveli i fuqisë së zhurmës 91,0 dB(A) (pasiguria K = 3 dB), dhe dridhja kur fërkohet sipërfaqja 4,3 m/s² (shuma e vektorit triax; pasiguria K = 1.5 m/s²)
 - ! **përdorimet e tjera (si prerja) mund të ketë vlera të ndryshme të dridhjes**
- Niveli i emetimit të vibrimit është matur në përputhje me një provë të standardizuar të dhënë në EN 60745; ajo mund të përdoret për të krahasuar një vegël me një tjetër dhe si një vlerësim paraprak i ekspozimit ndaj vibrimit kur përdorni pajisjen për proceset e përmendura
 - përdorimi i pajisjes për procese të ndryshme, ose me aksesorë të ndryshëm dhe të mirëmbajtur keq, mund të **rritë** ndjeshëm nivelin e ekspozimit
 - kohët kur pajisja është e fikur dhe kur është e ndezur por jo në punë, mund të **zvogëlojnë** ndjeshëm nivelin e ekspozimit
- ! **mbroni veten nga efektet e vibrimit duke mirëmbajtur pajisjen dhe aksesorët e saj, duke i mbajtur duart e ngrrohta dhe duke organizuar mënyrën tuaj të punës**

صدا / ارتعاشات

۳۹۲۰

عند القياس بالتوافق مع EN ۶۰۷۴۵ يكون مستوى ضغط صوت هذه الأداة هو ۸۰,۵ ديسيبل(أ) ومستوى صوت الطاقة ۹۱,۵ ديسيبل(أ) (الاحتمالية $K = ۳$ ديسيبل). والاهتزاز أثناء جليخ الأسطح ۵,۵ م/ث^۲ (مجموعة الكميات الموجهة: الاحتمالية $K = ۱,۵$ م/ث^۲)

! **ميزان ارتعاش در کاربردهای دیگر (از قبیل برش) می تواند متفاوت باشد**
۳۹۲۱

عند القياس بالتوافق مع EN ۶۰۷۴۵ يكون مستوى ضغط صوت هذه الأداة

هو ۸۰,۰ ديسيبل(أ) ومستوى صوت الطاقة ۹۱,۰ ديسيبل(أ) (الاحتمالية $K = ۳$ ديسيبل). والاهتزاز أثناء جليخ الأسطح ۴,۳ م/ث^۲ (مجموعة الكميات الموجهة: الاحتمالية $K = ۱,۵$ م/ث^۲)

! **ميزان ارتعاش در کاربردهای دیگر (از قبیل برش) می تواند متفاوت باشد**

• **ميزان انتشار ارتعاشات بر اساس تست استاندارد شده ای که در EN ۶۰۷۴۵ معرفی شده است اندازه گیری گردید: از این ارقام می توان برای مقایسه یک ابزار با دیگری و بعنوان ارزیابی اولیه در معرض قرارگیری ارتعاشات هنگام کار با ابزار در کاربری های فوق استفاده کرد**

- استفاده کردن از ابزار برای کاربردهای متفاوت. یا با لوازم و ملتحقات متفاوتتفرقه یا لوازم و ملتحقاتی که بد نگهداری شده اند. می تواند میزان در معرض قرارگیری را بطور قابل ملاحظه ای افزایش دهد

- موافقی که ابزار خاموش است یا روشن است ولی کاری با آن انجام نمی شود.

ميزان در معرض قرارگیری بطور قابل توجهی کاهش می یابد

! **با نگهداری مناسب از ابزار و لوازم و ملتحقات آن. گرم نگهداشتن دست**

های خود. و سازمان دهی طرح های کاری می توانید خود را در برابر اثرات

ارتعاش محافظت کنید

- ابزار باتری نباید در معرض باران قرار داده شود
- دمای محیط مجاز (ابزار/شارژر/باتری):
- هنگام شارژ: ۰ تا ۴۰ درجه سانتیگراد
- هنگام کار: ۰ تا ۵۰ درجه سانتیگراد
- قرار دادن در محل نگهداری: ۰ تا ۵۰ درجه سانتیگراد
- شرح علائم و نمادهای ابزار باتری**
- ③ پیش از کار حتماً فرجه راهنما را مطالعه کنید
- ④ از عینک محافظ و محافظ گوش استفاده کنید
- ⑤ اگر باتری در آتش انداخته شود امکان انفجار آن وجود دارد. بنابراین هرگز و به هیچ دلیلی باتری را نسوزانید
- ① ابزار/شارژر را در مکانی نگهدارید که دمای آن از ۵۰ درجه سانتیگراد تجاوز نمی کند
- ⑦ ابزارهای برقی. باتری ها. آنها را نباید همراه با زباله های عادی خانگی دور انداخت

استفاده

- شارژ کردن باتری
- **هشدارها و دستورالعمل های ارائه شده همراه شارژر را مطالعه کنید**
- برداشتن/افزادن باتری ①
- نشانگر شارژ باتری ②
- برای نمایش سطح کنونی باتری (A) دکمه نشانگر شارژر باتری L را فشار دهید
- **اگر با فشار دادن دکمه b(A) L. نشانگر پایین ترین سطح باتری شروع به چشمک زدن می کند. باتری تخلیه شده است**
- **هنگامی که سطوح ۲ نشانگر باتری بعد از فشار دادن دکمه L (A) شروع به چشمک زدن می کنند. باتری در محدوده دمای کاری مجاز نیست**
- محافظت باتری
- ابزار در شرایط زیر ناگهان خاموش شده و یا روشن نمی شود
- بار وارده خیلی زیاد است <<- بار را برداشته و دوباره راه اندازی کنید
- دمای باتری در محدوده دمای کاری مجاز ۰ تا ۵۰ درجه سانتیگراد نیست
- > ۲ سطوح نشانگر شارژر باتری در هنگام فشار دادن دکمه L (A) شروع به چشمک زدن می کنند. صبر کنید تا باتری به محدوده دمای کاری مجاز بازگردد
- باتری عملاً تخلیه شده است (برای محافظت در برابر تخلیه عمیق) <<- یک سطح باتری ضعیف یا سطح باتری ضعیف چشمک زن b(A) در صورت فشار دادن دکمه L روی نشانگر سطح باتری دیده خواهد شد؛ باتری را شارژ کنید
- **بعد از خاموش شدن خودکار ابزار کلید روشن/خاموش را مرتب فشار ندهید:**
- امکان دارد باتری آسیب ببیند
- سوار کردن متعلقات ①

- در صورت احساس ارتعاشات قابل توجه یا اشکالات دیگر فوراً آنرا خاموش کرده و ابزار را برای یافتن دلیل بررسی کنید
- کلید ضامن روشن/خاموش ⑩ U
- ابزار روشن کنید a ⑪
- **مراقب حرکت ضربه ای ناگهانی ابزار در موقع روشن شدن باشید**
- **ابزار باید پیش از اینکه متعلقات به قطعه کار برسد. به دور کامل خود رسیده باشد**
- کلید ضامن b ⑫
- کلید ها کردن ضامن/خاموش کردن ابزار c ⑬
- **ابزار را باید قبل از خاموش کردن از روی قطعه کاری برداشتن**
- **متعلقات برای مدت کوتاهی بعد از خاموش شدن ابزار به چرخش ادامه می دهند**
- فرزکاری ⑭
- با وارد کردن فشار متعادل. ابزار را به عقب و جلو برید
- **هرگز از سنگ برش برای فرزکاری جانبی استفاده نکنید**
- برش ⑮
- ابزار را در حین برش کج نکنید
- همیشه باید جهت حرکت ابزار موافق فلش روی سر ابزار باشد تا از بیرون زدن کنترل نشده ابزار از برش جلوگیری شود
- به ابزار فشار وارد نکنید؛ اجازه دهید سرعت سنگ برش. کار را برای شما انجام دهد.
- دور کاری سنگهای برش به موادی که می خواهید برش دهید بستگی دارد
- هرگز نباید با وارد کردن فشار جانبی سنگ های برش را شکست
- نگهداشتن و هدایت ابزار
- همیشه ابزار را خیلی محکم با هر دو دست بگیرید. تا در کلیه اوقات روی ابزار کنترل کامل داشته باشید
- **هنگام کار باید همیشه ابزار را از دستگیره (های) خاکستری رنگ بگیرید**
- ⑯
- بطور مطمئن بایستید
- به جهت چرخش وقت کنید؛ همیشه ابزار را طوری در دست بگیرید که جرقه ها و ذرات حاصل از فرزکاری/برش از بدن شما دور شوند
- شیارهای تهویه K ⑰ را مسدود نکنید
- قرار دادن/برداشتن آچار C ⑱
- فقط زمانی مصادد دارد که ابزار با دسته کمکی به همراه محل نگهداری آچار استفاده شود

توصیه های کاربردی

- برای اطلاعات بیشتر به www.skil.com مراجعه کنید

نگهداری / سرویس - خدمات

- این ابزار برای مصارف حرفه ای مناسب نیست
- همیشه ابزار را تمیز نگهدارید (بخصوص شیارهای تهویه K ⑰)
- **پیش از تمیز کردن باید باتری را از ابزار جدا کنید**
- اگر ابزار علیرغم تمام وقت و مراقبتی که در فرایندهای تولید و تست بکار برده شده از کار افتاد. تعمیرات باید فقط در مراکز خدمات پس از فروش ابزارهای برقی SKIL انجام شود
- ابزار را بصورت بازنشده همراه با رسید خرید به فروشنده یا نزدیک ترین مرکز خدمات رسانی SKIL بفروستید (آدرسها به همراه نمودار نقشه های سرویس ابزار در www.skil.com موجود است)
- توجه داشته باشید که خرابی و خسارت ناشی از اضافه بار یا کار کردن نادرست با ابزار مشمول ضمانت نخواهد بود (برای آگاهی از شرایط ضمانت SKIL به نشانی www.skil.com مراجعه کرده یا از فروشنده خود سوال کنید)

محیط زیست

- ابزارهای برقی. باتری ها. لوازم و بسته بندی آنها را نباید همراه با زباله های عادی خانگی دور انداخت (فقط مخصوص کشورهای عضو اتحادیه اروپا)
- یا توجه به مصوبه اروپایی ۲۰۱۲/۱۹/EC اروپا درباره لوازم برقی و الکترونیکی مستعمل و اجرای این مصوبه مطابق با قوانین کشوری. ابزارهای برقی که به پایان عمر مفید خود رسیده اند باید جداگانه جمع آوری شده و به یک مرکز بازیافت مناسب و سازگار با محیط زیست انتقال یابند
- تعاملت ⑲ یادآور این مسئله در هنگام دور انداختن است
- **قبل از دور انداختن باتری حتماً باید روی پایانه های باتری را با نوار چسب سنگین بپوشانید تا اتصال کوتاه نکند**

های کمیکی استفاده کنید تا بتوانید کنترل خود بر ابزار را در صورت پس زدن حفظ کرده و گشتاور ابزار را در زمان روشن شدن کنترل کنید. کاربری می تواند در صورت رعایت توصیه های ایمنی گشتاورهای واکنشی یا پس زدن را بخوبی کنترل کند.

ب) هرگز دست خود را به متعلقات در حال چرخش نزدیک نکنید. چون امکان دارد متعلقات در صورت پس زدن به دست شما برخورد کنند.

ت) بدن خود را از نقطه ای که ابزار در صورت پس زدن به آنجا حرکت خواهد کرد دور نگهدارید. پس زدن ابزار برقی باعث حرکت آن در جهت مخالف حرکت سنگ در نقطه گیر کردن خواهد شد.

ث) اگر بر روی گوشه ها. لبه های تیز و مانند آنها کاری کنید باید دقت مضاعف داشته باشید. از در رفتن و گیر کردن متعلقات جلوگیری کنید. امکان گیر کردن متعلقات در دور گوشه ها و لبه های تیز بسیار زیاد است و می تواند کنترل شما را بر هم زده یا ابزار پس بزند.

ج) نباید روی این ابزار برقی اهری زنجیری چوب بری و یا تیغ اره دندانه ای نصب کنید. این تیغه اره را باعث پس زدن و از بین رفتن کنترل روی ابزار برقی می شوند.

۳) هنداره های ایمنی برای سنگ زدن و برش
 ا) برای ابزار برقی خود فقط از سنگ های توصیه شده و حفاظ های مخصوص آن استفاده کنید. اگر از سنگ هایی که برای ابزار برقی شما طراحی نشده اند استفاده کنید. محافظت کافی وجود نداشته و کار ایمن نخواهد بود.

ب) سطح ساییده صفحه سنگ های با مرکز فشرده باید زیر صفحه ای سوار شوند که لبه محافظ در آن قرار دارد. صفحه سنگی که نادرست سوار شده و از صفحه لبه محافظ بیرون بزند از محافظت کافی برخوردار نخواهد بود.

ت) حفاظ باید محکم به ابزار برقی وصل شده و طوری تنظیم شود که حداکثر ایمنی وجود داشته باشد. تا کمترین میزان سنگ به سمت کاربر باز و بدون حفاظ ماند. یساعده الوافی علی حمایت الشغل من الأجزاء المتكسرة من العجلة.

وعلامته العجل والشرارة عن طریق الخطأ بما يؤدي إلى اشتعال الملايس:

سنگ ها باید فقط برای کاربردهایی که توصیه شده است بکار برده شوند.

ث) بعنوان مثال: از سطح جانبی یک سنگ برش برای سنگ زدن استفاده کنید. سنگ های برش برای سنگ زدن پیرامونی مناسب هستند: نیروهای جانبی وارده به این سنگ ها باعث شکستن آنها خواهد شد.

ج) همیشه فقط از فلنج های سنگ آسیب نديده با اندازه و شکل مناسب برای سنگ استفاده کنید. فلنج های سنگ مناسب بخوبی سنگ را نگه

داشته و احتمال شکستن سنگ را کاهش می دهند. فلنج های سنگ های برش ممکن است با فلنج های سنگ های فرز و سنگ زنی متفاوت باشند.

ح) از سنگ های مستعمل ابزارهای برقی بزرگ تر استفاده نکنید. سنگ های ابزارهای برقی بزرگ تر قادر به تحمل سرعت های چرخش بالای ابزارهای کوچک تر نیستند و امکان دارد بشکندند.

۴) هنداره های ایمنی تکمیلی برای برش زدن
 ا) سنگ برش نباید "گیر" کند و نباید فشار بیش از حد به آن وارد کرد. سعی

کنید برش های خیلی عمیق ایجاد کنید. فشار آوردن بیش از حد به سنگ. بار وارده را افزایش داده و احتمال گیر کردن یا تاب برداشتن سنگ در برش و پس زدن و شکستن سنگ را بالا می برد.

ب) بدن خود را هم جهت و یا پشت سنگ در حال چرخش قرار ندهید. اگر سنگ در حال کار به دور از بدن شما حرکت می کند. احتمال دارد پس زدن باعث شود که سنگ در حال چرخش و خود ابزار مستقیماً به شما اصابت کنند.

ت) اگر سنگ گیر کرده است و یا به هر دلیلی برش را متوقف می کنید. ابزار برقی را خاموش کرده و آنرا بدون حرکت نگهدارید تا سنگ کاملاً متوقف شود. اگر

سنگ برش هنوز حرکت می کند سعی نکنید آنرا باز کنید چون پس خواهد زد. وضعیت کار را بررسی کرده و اقدامات لازم را برای رفع گیر کنید بعمل آورید.

ث) برش را دوباره از داخل قطعه کار شروع نکنید. اجازه دهید سنگ ابتدا به دور حداکثر برسد و سپس آنرا با دقت وارد شیار برش کنید. اگر ابزار برقی را داخل

قطعه کار برسد سنگ امکان دارد سنگ گیر کند. بیرون پریده یا پس بزند.

ج) صفحات و قطعه های کاری با ابعاد بزرگ تر ثابت کنید تا خطر پس زدن و گیر کردن سنگ به حداقل برسد. احتمال دارد قطعات کار بزرگ به دلیل وزن خود تاب بردارند. به همین دلیل باید قطعه کار را از هر دو طرف سنگ. یعنی در مجاورت خط

برش و لبه قطعه. ثابت کرد.

ح) هنگام ایجاد "برش های جیبی" در دیواره های موجو و یا سایر بخشهای پنهان خیلی احتیاط کنید. چون امکان دارد سنگ لوله های گاز یا آب. سیم های برق یا

اشیا دیگر را قطع کرده و در نتیجه پس بزند.

هنداره های ایمنی اضافی

عمومی

- این ابزار برای فرزکاری/برش تر مناسب نیست
- تنها از فلانجهایی که همراه با این ابزار ارائه شده است استفاده نمایید
- افراد کمتر از ۱۶ سال نباید با این دستگاه کار کنند
- پیش از انجام هرگونه تغییر و یا عوض کردن متعلقات، باتری را از ابزار خارج کنید

متعلقات

- SKIL در صورتی که از متعلقات اصلی استفاده کنید عملکرد بدون مشکل ابزار را تضمین می نماید
- برای سوار کردن/استفاده از متعلقاتی که توسط SKIL ساخته نشده، همیشه باید دستورالعملهای سازنده مربوطه را دنبال کنید
- فقط از چرخ سنبلاده هایصفحه سنگهای اصل با حداکثر ضخامت ۶ میلیمتر و قطر سوراخ شفت ۲۲ میلیمتر استفاده شود.
- هرگز از کامنده ها یا میدا ها برای جا زدن سنگ های فرز/برش با سوراخ بزرگتر استفاده نکنید
- هرگز از متعلقات دارای سوراخ رزوه دار، "ته بسته" کوچکتر از M14 x ۲۱ میلیمتر استفاده نکنید
- به منظور جلوگیری از ترک خوردن یا پدیدگی صفحات سنگ/برش باید هنگام کار با نگهداری آنها خیلی دقت کنید

پیش از استفاده
 توصیه می شود پیش از اینکه برای بار اول از ابزار استفاده کنید، اطلاعات عملی را دریافت نمایید

همیشه سسته کمی E ۱ و حفاظ F ۱ را سوار کنید؛ هرگز بدون آنها از ابزار استفاده نکنید

برای پیدا کردن سیم و لوله های پنهان از دستگاه های دکتور مناسب استفاده کرده یا با شرکت های آب و برق و گاز محلی تماس گرفته و از آنها کمک

بخواهید (تاس با سیم های برق موجب آتش سوزی و برق گرفتگی می شود؛ آسیب رساندن به لوله های گاز سبب انفجار می شود؛ سوراخ کردن لوله های آب به

ساختمان آسیب رسانده و موجب خطر برق گرفتگی می شود)
 با موادی حاوی آزیست کار نکنید (آزیست سربطان رازست)

گرد و خاکی که از موادی مانند رنگ های حاوی سرب، برخی گونه های چوب، مواد معدنی و فلزات بلند می شود می تواند خطرناک باشد (تاس با این گرد و خاکیها و

یا تنفس آنها می تواند در کاربران ابزار یا افراد نزدیک به محل کار واکنش های حساسیتی و/یا بیماری های تنفسی ایجاد کند؛ یک ماسک مخصوص گرد و

خاک بزنید و در صورت امکان از یک وسیله مکش گرد و خاک استفاده کنید
 برخی از گرد و خاکها (مانند گرد و خاکی که از چوب بلوط یا راش بلند می شود)

علی الخصوص در مجاورت افزودنی های مخصوص چوب. سرطان زا هستند؛ یک ماسک مخصوص گرد و خاک بزنید و در صورت امکان از یک وسیله مکش گرد

و خاک استفاده کنید
 از مقررات ملی مربوط به گرد و خاک موادی که می خواهید با آنها کار کنید پیروی

نمایید
 هنگام ایجاد شیار بخصوص در دیواره های حائل بسیار دقت کنید (شیارها در

دیواره های حائل مشمول مقررات مخصوص ملی می شوند؛ این مقررات باید تحت کلیه شرایط رعایت شوند)

• قطعه کاری را محکم کنید (اگر قطعه کاری را با گیره های جاری یا گیره های رومیزی ثابت کنید بسیار مطمئن تر از گرفتن آن با دست خواهد بود)

• ابزار را درگیر قرار ندهید
 در حین استفاده

• در صورت بروز اشکالات برقی یا مکانیکی، فوراً ابزار را خاموش کرده و باتری را بردارید
 در صورت قطع محافظتی باتری یا وقتی که باتری برداشته می شود، ابزار خودبخود

مجدداً روشن نخواهد شد؛ برای روشن کردن مجدد ابزار باید قفل کلید روشن/خاموش را باز کرده و ابزار را دوباره روشن کنید ①

بعد از استفاده
 • بعد از خاموش کردن ابزار، هرگز سعی نکنید یا وارد آوردن فشار جانبی چرخش متعلقات را متوقف کنید

باتری ها

- شارژر باتری ارائه شده کامل نیست (برای تضمین کامل بودن ظرفیت باتری باید باتری را پیش از نخستین بار استفاده از ابزار الکتریکی بطور کامل در شارژر باتری شارژ کنید)
- تنها از باتری ها و شارژرهای زیر با این ابزار استفاده کنید
 - باتری SKIL: BR1 ۳۱۰۰۰۰۰۰
 - شارژر SKIL: CR1 ۳۱۰۰۰۰۰۰
- اگر باتری آسیب دیده است از آن استفاده نکنید؛ باید آنرا عوض کنید
- باتری را از هم باز نکنید

- ح) ابزار برش را تیز و تمیز نگهدارید. ابزار برشی که خوب مراقبت شده و از لبه های تیز برخوردارند، کمتر درقطعه کار گیر کرده و بهتر قابل هدایت می باشند.
- خ) ابزارهای الکتریکی، متعلقات، ابزارهای که روی دستگاه نصب می شوند و غیره را مطابق دستورات این جزوه راهنما طوری به کار گیرید که با مدل این دستگاه تناسب داشته باشند. همچنین به شرایط کاری و نوع کار توجه کنید. کاربرد ابزار برقی برای موارد کاری که برای آن درنظر گرفته نشده است، مینواند شرایط خطرناکی را منجر شود.
- د) دسته ها و سطوح دستگیره ها را خشک، تمیز و عاری از روغن و گریس نگه دارید با دسته ها و سطوح دستگیره های لیز می توان در شرایط غیرمنتظره بطور ایمن با ابزار کار کرد و کنترل آنها را داشت
- ه) مراقبت و طرز استفاده از ابزارهای شارژی
- ا) باتری ها را حتماً در دستگاه های شارژی کنید که توسط سازنده توصیه شده باشند. در صورتیکه برای شارژ باطری، آنها را شارژی قرار دهید که برای آن باطری ساخته نشده است. خطر آنتیسنسوری وجود دارد.
- ب) از ابزار آلات الکتریکی، فقط از باطری های استفاده کنید که برای آن در نظر گرفته شده اند. استفاده از باطری های متفرقه می تواند منجر به جرات و حریق گردد.
- ت) در صورت عدم استفاده از باطری باید آنها را از گیره های فلزی، سکه، کلید، میخ، پیچ و دیگر وسایل کوچک فلزی دور نگه دارید. زیرا این وسایل ممکن است باعث ایجاد اتصالی شوند. ایجاد اتصالی بین دو قطب باطری (ترمینالهای باطری) مینواند باعث سوختگی و ایجاد حریق شود.
- ث) استفاده پی رویه از باطری مینواند باعث خروج مایعات از آن شود. از دست زدن به آن خود داری کنید. در صورت تماس اتفاقی با آن، دست خود را با آب بشوئید. در صورت آلوده شدن چشم با این مایع، باید به پزشک مراجعه کنید. مایع خارج شده از باطری مینواند باعث التهاب پوست و سوختگی شود.
- ج) اگر یک بسته باتری یا ابزار آسیب دیده یا دستکاری شده اند، نباید از آنها استفاده کنید. باتری های آسیب دیده یا دستکاری شده ممکن است کارکرد غیرقابل پیش بینی داشته و منجر به آتش سوزی یا انفجار شده و یا خطر جرات ایجاد کنند.
- ح) یک بسته باتری یا ابزار را در معرض آتش یا دماهای خیلی زیاد قرار ندهید. قرار دادن در معرض آتش یا دمای بالاتر از ۲۱۰ درجه سانتیگراد می تواند باعث انفجار گردد.
- خ) تمام دستوراتالعمل های شارژ را رعایت کرده و بسته باتری یا ابزار را در خارج از محدوده دمای ذکر شده در راهنما شارژ نکنید. شارژ نادرست یا شارژ کردن در دماهای خارج از محدوده ذکر شده می تواند به باتری آسیب رسانده و خطر آتش سوزی را بالا ببرد.
- ۱) سرویس
- ا) برای تعمیر ابزار الکتریکی فقط به متخصصین حرفه ای رجوع کرده و از وسایل برقی اصل استفاده کنید. این باعث خواهد شد که ایمنی دستگاه شما تضمین گردد.
- ب) هرگز بسته های باتری آسیب دیده را سرویس نکنید. عملیات سرویس بسته های باتری باید فقط توسط سازنده یا مراکز خدماتی مجاز انجام شود.

هشدارهای ایمنی برای سنگ فرزهای زاویه ای

- ۱) هشدارهای ایمنی مشترک برای عملیات فرزکاری با برش زن
- ا) این ابزار برقی برای کار بعنوان سنگ فرز یا ابزار برش طراحی شده است؛ تمامی هشدارهای ایمنی، دستورالعملها، تصاویر و مشخصات ارائه شده همراه با این ابزار برقی را مطالعه کنید. در صورت عدم رعایت هشدارهای این خطر برق گرفتگی، آتش سوزی و یا بروز جرات های شدید وجود خواهد داشت
- ب) این ابزار برقی برای سنبندها، بتن، سسیم زن یا پولیش کردن مناسب نیست؛ استفاده از این ابزار برقی جهت مصارفی که برای آن طراحی نشده است خطرناک بوده و ممکن است باعث بروز جرات برای خود شخص شود
- ت) از متعلقاتی که بطور خاص توسط سازنده ابزار طراحی و یا توصیه نشده اند استفاده نکنید. فقط صرف اینکه می توان متعلقات را به ابزار برقی وصل کرد، کارکرد ایمن آنها تضمین نمی کند.
- ث) سرعت چرخش نامی متعلقات باید حداقل برابر حداکثر سرعت چرخش درج شده روی ابزار برقی باشد. متعلقات در صورت کار با سرعتی بالاتر از سرعت چرخش نامی خود خواهند شکست.
- ج) قطر بیرونی و ضخامت متعلقات باید در محدوده ظرفیت ابزار برقی شما باشد. اگر اندازه متعلقات نامناسب باشد امکان کنترل یا حفاظت آنها در کار وجود نخواهد داشت.

- ح) قسمت زنده در محل نصب متعلقات باید با روزه های شفت فرز مطابقت داشته باشد. در مورد متعلقاتی که با فلنج نصب می شوند، سوراخ میانی متعلقات باید با قطر محل اتصال فلنج مطابقت داشته و در آن جا بیفتد. لوازم و متعلقاتی که کاملاً متناسب با شفت ابزار برقی نباشند، چرخش نامنظم داشته و دچار حرکات نوسانی شدیدی می شوند و این امر می تواند باعث از دست دادن کنترل شود.
- خ) از لوازم و متعلقات آسیب دیده استفاده نکنید. پیش از هر بار استفاده از لوازم و متعلقات باید آنها را کنترل کنید. بعنوان مثال در مورد صفحات سنگ مطمئن شوید یک ترک و یا پریدگی نداشته باشند. در مورد قابلهای سنگ به ترک ها و استهلاک دقت کرده، و برس های سیمی را برای یافتن سیم های شل یا شکسته بازدید کنید. در صورتی که ابزار برقی و یا متعلقات آن به زمین بیافتند، آسیب دیدگی احتمالی دستگاه را کنترل کرده و یا از لوازم و متعلقات سالم دیگری استفاده کنید. بعد از بازرسی و نصب لوازم و متعلقات، خود و سایر افراد نزدیک به ابزار برقی را از ابزار در حال چرخش دور نگاه داشتن و بگذارید ابزار برقی به مدت یک دقیقه یا آخرین دور ممکن در حالت بدون بار کار کند. اگر متعلقات آسیب دیده باشند معمولاً در این آزمایش خواهند شکست.
- د) از لوازم و پوشش های محافظ شخصی استفاده کنید. متناسب با نوع کار از محافظ صورت، محافظ چشم یا عینک ایمنی استفاده کنید. در صورت لزوم از ماسک ضد غبار، گوشی ایمنی، دستکش و یا پیش بند کارگاهی مناسب که بتواند ذرات ریز و براده ها را از شما دور نگاه دارد استفاده کنید. محافظ چشم باید بتواند چشم شما را در برابر جهش ذرات خارجی و براده که در هنگام کارهای مختلف، ایجاد می شوند، محافظت کند. ماسک های ایمنی ضد غبار یا ماسک های تنفسی باید قادر به فیلتر کردن ذرات و گرد و غبار ناشی از کار باشند. قرار گرفتن طولانی مدت در معرض سر و صدای بلند می تواند به شنوایی شما آسیب بزند.
- ز) افرادی که کار می کنند باید فاصله خود را با محل کار شما حفظ کنند. هر فردی که وارد محل کار شما می شود، باید مجهز به تجهیزات ایمنی و پوشش محافظ شخصی باشد. امکان پرت شدن قطعات شکسته و جدا شده از قطعه کار و یا متعلقات شکسته حتی در خارج از محدوده کار وجود دارد و می تواند باعث جرات شود.
- ا) اگر احتمال می دهید متعلقات در حین کار با سیم کشی پنهان و غیرآشکار تماس پیدا کنند، ابزار الکتریکی را فقط از دسته و سطوح عایق آن بگیرید. اگر متعلقات با سیم دارای جریان "برق" تماس پیدا کند، جریان "برق" به قسمت های فلزی آشکار ابزار الکتریکی نیز منتقل شده و باعث برق گرفتگی کاربر خواهد شد.
- ز) سیم برق ابزار را دور از متعلقات در حال چرخش آن نگهدارید. اگر کنترل خود را بر ابزار از دست بدهید، امکان دارد سیم بریده شده یا کشیده شده و دست یا بازوی شما به داخل بخش متحرک کشیده شود.
- س) هرگز ابزار برقی را قبل از توقف کامل متعلقات آن کنار نگذارید. امکان تماس متعلقات در حال چرخش با سطحی که از بر روی آن قرار دارد وجود داشته و منجر به از دست دادن کنترل شما بر ابزار برقی خواهد شد.
- ش) هنگام حمل ابزار الکتریکی آنها روشن نکنید. تماس اتفاقی با متعلقات در حال پرخش می تواند باعث شود لباس شما کشیده شده و متعلقات و ابزار به بدن شما اصابت کند.
- ص) منافذ تهویه هوای ابزار برقی را بطور مرتب تمیز کنید. فن موتور گرد و غبار بیرون را به داخل محفظه ابزار می کشد و جمع شدن بیش از اندازه براده و ذرات فلز در آنجا باعث بروز مخاطرات می شود.
- ض) ابزار برقی را در مجاورت مواد قابل اشتعال بکار نبرید. جرقه ها می توانند باعث آتش گرفتن این مواد شوند.
- ط) از متعلقاتی که نیاز به خنک کننده های مایع موجب برق گرفتگی خواهد شد، کردن از آب یا خنک کننده های مایع موجب برق گرفتگی خواهد شد.
- ۲) پس زدن ابزار و آگسشن ناگهانی است که در نتیجه گیر کردن و یا قفل شدن سنگ دیوار، قاب سنگ، برس یا دیگر متعلقات ایجاد می شود. گیر کردن یا قفل شدن باعث توقف ناگهانی متعلقات دیوار شده و در نتیجه آن ابزار برقی از کنترل شما خارج می شود و در جهت عکس چرخش متعلقات روی آن حرکت خواهد کرد.
- بعنوان مثال، اگر سنگ در قطعه کار گیر کرده و یا قفل شود، امکان دارد لبه سنگ در نقطه گیر کردن وارد سطح فلز شده و سنگ بلند شده یا پس بزند. در این صورت بسته به جهت حرکت سنگ در نقطه گیر کردن امکان دارد سنگ به سمت کاربر یا جهت مخالف پرتاب شود. ممکن است صفحات سنگ در این شرایط بشکنند.
- پس زدن در نتیجه انقباض غلط و/یا بکارگیری نادرست ابزار برقی و یا در شرایطی روی می دهد که با رعایت توصیه های ایمنی زیر می توان از بروز آن جلوگیری کرد.
- ابزار برقی را محکم در دست گرفته و بدن و بازوی خود را طوری قرار دهید که بتوانید ضربات پس زدن ابزار را کنترل کنید. همیشه در صورت امکان از دسته

مقدمه

- این ابزار برای فرزکاری سبک، برش و پلیسه برداری از فلزات و مواد سنگی بدون استفاده از آب طراحی شده است
- این ابزار برای مصارف حرفه ای مناسب نیست
- به ابزار فشار وارد نکنید؛ اجازه دهید سرعت سنگ برش، کار را برای شما انجام دهد
- برش زنی با سنگ های برش فقط در صورت استفاده از محافظ برش (بصورت لوازم جانبی اختیاری SKIL با شماره قطعه ۲۱۱۰۵۰۰۲۵ / ۲۱۱۰۵۰۰۲۷۵ / ۲۱۱۰۵۰۰۲۷۱) ارائه می شود) میجاز است
- لطفاً این دفترچه راهنما را مطالعه کرده و نگهدارید ⑥

اطلاعات فنی ①

اجزای ابزار ②

- A شفت
- B فلنج گیره
- C آچار
- D ضامن قفل کننده شفت
- E دسته کمکی
- F محافظ
- G پیچ محافظ
- H فلنج نصب
- J کلید ضامن روشن/خاموش
- K شیارهای تهویه
- L نشانگر شمارز باری
- M اهرم حفاظ محافظ

ایمنی

راهنمای های ایمنی عمومی برای ابزارهای الکتریکی

⚠ هشدار تمامی هشدارهای ایمنی، دستورالعمل ها، تصاویر و مشخصات فنی ارائه شده همراه با این ابزار الکتریکی را مطالعه کنید در صورت عدم رعایت هشدارهای زیر خطر برق گرفتگی، آتش سوزی و/یا بروز جراحات های شدید وجود خواهد داشت.

همه هشدارها و راهنمایی ها را برای استفاده آتی نگهدارید.

در این هشدارها عبارت "ابزار الکتریکی" به معنی ابزارهای الکتریکی فاقد باتری (با سیم برق) و یا ابزارهای الکتریکی باتری دار (شارژی) است

① ایمنی محل کار

أ) محل کار خود را تمیز، مرتب و مجهز به نور کافی نگهدارید. محیط کار نامرتب و کم نور میتواند باعث سوانح کاری شود.

ب) با ابزار الکتریکی در محیط هایی که در آن خطر انفجار وجود داشته و حاوی مایعات، گازها و غبارهای محترقه باشد، کار نکنید. ابزارهای الکتریکی جرقه هایی ایجاد می کنند که می توانند باعث آتش گرفتن گرد و بخار های موجود در هوا شوند.

ت) هنگام کار با ابزار الکتریکی، کودکان و سایر افراد را از دستگاه دور نگهدارید. در صورتیکه حواس شما پرت شود، ممکن است کنترل دستگاه از دست شما خارج شود.

② ایمنی الکتریکی

أ) دوشاخه ابزار الکتریکی باید با پریز برق تناسب داشته باشد. هیچگونه تغییری در دوشاخه ندهید. میبد دوشاخه نباید همراه با ابزار الکتریکی دارای اتصال به زمین (ارت شده) استفاده شود. میبد دوشاخه نباید همراه با ابزار الکتریکی دارای اتصال به زمین (ارت شده) استفاده شود.

ب) از تماس بدنی با قطعات دارای سیم اتصال به زمین (ارت شده) مانند لوله، شوفاژ، اجاق برقی و یخچال خود داری کنید. در صورتیکه بدن شما با سیم دارای اتصال به زمین (ارت شده) تماس پیدا کند، خطر برق گرفتگی بیشتر خواهد شد.

ت) دستگاه را از باران و رطوبت دور نگهدارید. فرود آب به ابزار الکتریکی، خطر شوک الکتریکی را افزایش می دهد.

ث) از سیم به درستی استفاده کنید. از سیم دستگاه برای کارهایی چون حمل ابزار الکتریکی، آویزان کردن آن و یا خارج کردن دوشاخه از برق استفاده نکنید. دستگاه را در مقابل حرارت، روغن، لبه های تیز و بخش های متحرک دستگاه دور نگهدارید. کابل های آسیب دیده و یا گره خورده خطر شوک الکتریکی را افزایش می دهند.

ج) در صورتیکه با ابزار الکتریکی در محیط باز کار می کنید، تنها از کابل را بطی استفاده کنید که برای محیط باز نیز مناسب باشد. کابل های رابط مناسب برای محیط باز، خطر برق گرفتگی را کم می کنند.

ح) در صورت لزوم کار با ابزار الکتریکی در محیط و اماکن مرطوب، در اینصورت باید از یک کلید حفاظتی جریان خطا و نشستی زمین (کلید قطع کننده اتصال با زمین) استفاده کنید. استفاده از کلید حفاظتی جریان خطا و نشستی زمین خطر برق گرفتگی را کمتر می کند.

③ رعایت ایمنی اشخاص

أ) حواس خود را خوب جمع کنید. به کار خود دقت کنید و با فکر و هوش کامل با ابزار الکتریکی کار کنید. در صورت خستگی و یا در صورتیکه مواد مخدر، الکل و دارو استفاده کرده اید، با ابزار الکتریکی کار نکنید. یک خطه بی توجهی هنگام کار با ابزار الکتریکی، میتواند جراحات های شدیدی به همراه داشته باشد.

ب) همواره از تجهیزات ایمنی شخصی استفاده کنید. همواره از عینک ایمنی استفاده کنید. استفاده از تجهیزات ایمنی مانند ماسک ایمنی، کفش های ایمنی ضد لغزش، کلاه ایمنی و گوشی ایمنی مناسب با نوع کار با ابزار الکتریکی، خطر مجروح شدن را تقلیل می دهد.

ت) مواظب باشید که ابزار الکتریکی بطور ناخواسته بکار نیفتد. قبل از وارد کردن دوشاخه دستگاه در پریز برق، اتصال آن به باتری، برداشتن آن و یا حمل دستگاه، باید دقت کنید که ابزار الکتریکی خاموش باشد. در صورتیکه هنگام حمل دستگاه انگشت شما روی دکمه قطع و وصل باشد و یا دستگاه را در حالت روشن به برق بزنید، ممکن است سوانح کاری پیش آید.

ث) قبل از روشن کردن ابزار الکتریکی، باید همه ابزار های تنظیم کننده و آچار ها را از روی دستگاه بردارید. ابزارو آچارهایی که روی بخش های چرخنده دستگاه قرار دارند، می توانند باعث ایجاد جراحات شوند.

ج) بیش از حد به آنها نزدیک نشوید. برای کار جای مطمئنی برای خود انتخاب کرده و تعادل خود را همواره حفظ کنید. به این ترتیب می توانید ابزار الکتریکی را در وضعیت های غیر منتظره بهتر تحت کنترل داشته باشید.

ح) لباس مناسب بپوشید. از پوشیدن لباس های فراخ و حمل زینت آلات خود داری کنید. موها، لباس و دستکش ها را از بخش های درحال چرخش دستگاه دور نگهدارید. لباس های فراخ، موی بلند و زینت آلات ممکن است در قسمت های درحال چرخش دستگاه گیر کنند.

خ) در صورتیکه می توانید وسائلی مکش گرد و غبار و یا وسیله جذب زائده را به دستگاه نصب کنید، باید مطمئن شوید که این وسائلی نصب و درست استفاده می شوند. استفاده از وسائلی مکش گرد و غبار مصونیت شما را در برابر گرد و غبار زیاد تر می کند.

د) اجازه ندهید آشنایی و تسلط حاصل از استفاده مکرر از ابزارها باعث شود احساس نیاز به رعایت قواعد نکرده و به قوانین ایمنی ابزار بی توجهی کنید یک عمل از روی بی دقتی می تواند در کسری از ثانیه موجب جراحات شدید شود

④ استفاده صحیح از ابزار الکتریکی و مراقبت از آن

أ) از وارد کردن فشار زیاد روی دستگاه خود داری کنید. برای هر کاری، از ابزار الکتریکی مناسبی استفاده کنید. بکار گرفتن ابزار الکتریکی مناسب باعث می شود که بتوانید از توان دستگاه بهتر و با اطمینان بیشتر استفاده کنید.

ب) در صورت ایراد در کلید قطع و وصل ابزار برقی، از دستگاه استفاده نکنید. ابزار الکتریکی که نمی توان آنها را قطع و وصل کرد، خطرناک بوده و باید تعمیر شوند.

ت) قبل از تنظیم ابزار الکتریکی، تعویض متعلقات و یا کنار گذاشتن آن، دوشاخه را از برق کشید و یا باطری آنرا خارج کنید. رعایت این اقدامات پیشگیری ایمنی از راه افتادن ناخواسته ابزار الکتریکی جلوگیری می کند.

ث) ابزار الکتریکی را در صورت عدم استفاده، از دسترس کودکان دور نگهدارید. اجازه ندهید که افراد نا وارد و یا اشخاصی که این دفترچه راهنما را نخوانده اند، با این دستگاه کار کنند. قرار گرفتن ابزار الکتریکی در دست افراد ناوارد و بی تجربه خطرناک است.

ج) از ابزار الکتریکی خوب مراقبت کنید. مواظب باشید که قسمت های متحرک دستگاه خوب کار کرده و گیر نکنند. همچنین دقت کنید که قطعات ابزار الکتریکی شکسته و یا آسیب دیده نباشند. قطعات آسیب دیده را قبل از شروع به کار تعمیر کنید. علت بسیاری از سوانح کاری، عدم مراقبت کامل از ابزارهای الکتریکی می باشد.

- لا تكون درجة حرارة البطارية ضمن نطاق درجة حرارة التشغيل المسموح بها من ٢٠٠ إلى ٥٠٠ درجة مئوية -- يبدأ ٢ من مستويات مؤشر مستوى البطارية بالوميض عند الضغط على الزر A. انتظر حتى تعود البطارية إلى نطاق درجة حرارة التشغيل المسموح بها
- البطارية شبيهة فارغة (حمايتها ضد التفريغ التام للشحنة) -- يظهر انخفاض مستوى البطارية أو انخفاض مستوى البطارية الواض (A) من خلال مؤشر مستوى البطارية عند الضغط على زر A. أشحن البطارية ! لا تستمر في الضغط على مفتاح تشغيل/إيقاف تشغيل بعد إيقاف تشغيل الأداة تلقائياً. فرما تتسبب في إتلاف البطارية

توصيات الاستخدام

- لتريد من المعلومات ز موقعنا www.skil.com

الصيانة / الخدمة

- لم يتم تصميم هذه الأداة للاستخدام الاحترافي:
- احرص دائماً على نظافة الأداة (وخصوصاً فتحات التهوية K ①)
- **! أزل البطارية من الأداة قبل التنظيف**
- إذا تعذر تشغيل الأداة على الرغم من الحذر الشديد في إجراءات التصنيع والاختبار، فيجب القيام بالإصلاحات بواسطة مركز خدمة ما بعد البيع لأدوات الطاقة التابع لشركة SKIL.
- قم بإرسال الأداة دون تفكيكها بالإضافة إلى إثبات الشراء إلى البائع أو أقرب محطة خدمة SKIL (العناوين بالإضافة إلى مخطط الخدمة متاح على www.skil.com)
- كن على علم بأن التلف الناتج عن زيادة التحميل أو التعامل مع الأداة بطريقة خاطئة سيتم استثناءه من الضمان (المعرفة شروط ضمان SKIL انظر www.skil.com أو قم بسؤال بائع المعدات)

البيئة المحيطة

- لا تتخلص من الأدوات الكهربائية والبطاريات والملحقات ومواد التشغيل مع النفايات المنزلية (الدول الاتحاد الأوروبي فقط):
- وفقاً للتوجيه الأوروبي 2002/96/EC حول نفايات المعدات الكهربائية والإلكترونية وتطبيقه المتوافق مع القانون المحلي، يجب جمع الأدوات الكهربائية منتهية الصلاحية بشكل منفصل وإرسالها إلى أحد منشآت إعادة التصنيع المتوافقة مع البيئة
- سينتجك الرمز ⑤ بهذا عند الحاجة إلى التخلص من أية أداة:
- **! قبل التخلص من البطارية، قم بحماية الأطراف بشرط قوي لمنع حدوث دارة قصيرة**

الضوضاء / الاهتزاز

٣٩٢٠ .

عند القياس بالتوافق مع EN ٦٠٧٤٥ يكون مستوى ضغط صوت هذه الأداة هو ٨٠,٥ ديسيبل (أ) ومستوى صوت الطاقة ٩١,٥ ديسيبل (أ) (الاحتمالية K = ٣ ديسيبل). والاهتزاز أثناء جليخ الأسطح ٥,٥ م/ث (مجموعة الكميات الموجبة، الاحتمالية K = ١,٥ م/ث²)

٣٩٢١ .

عند القياس بالتوافق مع EN ٦٠٧٤٥ يكون مستوى ضغط صوت هذه الأداة هو ٨٠,٠ ديسيبل (أ) ومستوى صوت الطاقة ٩١,٠ ديسيبل (أ) (الاحتمالية K = ٣ ديسيبل). والاهتزاز أثناء جليخ الأسطح ٤,٣ م/ث (مجموعة الكميات الموجبة، الاحتمالية K = ١,٥ م/ث²)

- **! قد يكون للاستخدامات الأخرى (مثل القطع) قيم اهتزاز مختلفة**
- تم قياس مستوى الاهتزازات بالتوافق مع الاختبار المعياري المحدد في EN ٦٠٧٤٥: يمكن استخدامه لمقارنة أداة بأداة أخرى وتقييم تهديدي للتعرض للاهتزاز عند استخدام الأداة في التطبيقات الموضحة:
- قد يؤدي استخدام الأداة في تطبيقات مختلفة أو مع ملحقات مختلفة أو ذات صيانة رديئة إلى زيادة مستوى التعرض بصورة كبيرة:
- إن الفترة الزمنية التي يتم خلالها إيقاف تشغيل الأداة أو عندما تكون قيد التشغيل لكنها لا تؤدي أية مهام تؤدي إلى تقليل مستوى التعرض بصورة كبيرة:
- **! قم بحماية نفسك من تأثيرات الاهتزاز من خلال صيانة الأداة وملحقاتها، والحفاظ على يدك دائمتين وتنظيم أنماط العمل لديك:**

- **! قم بإزالة البطارية من الأداة**
- نظف عمود الدوران A وجميع الأجزاء التي سيتم تركيبها
- أكحرم ربط عرقلة التثبيت B باستخدام مفتاح الربط C مع الضغط على زر قفل عمود الدوران D
- **! لا تضغط على زر قفل عمود الدوران D إلا عند توقف العمود A عن الحركة بشكل تام**
- لفك الملحقات قم بإجراء نفس الخطوات بعكس الترتيب السابق
- **! تصبح أقراص التخليخ/القطع ساخنة للغاية أثناء الاستخدام: لا تلمس بلامستوى حتى تبرد تماماً:**
- **! يحظر نهائياً استخدام قرص جليخ/قطع بدون ("تشفا") المصنق الذي يتم لصقه عليه (إن توفر)**
- تركيب القبض المساعد E ⑨
- **! قم بإزالة البطارية من الأداة**
- اربط القبض المساعد E بالجهة اليمنى أو اليسرى بالجزء العلوي من الأداة (تبعاً للعمل الذي ستقوم به)
- فك/تركيب/ضبط الحاجز الواقي F ⑩
- **! قم بإزالة البطارية من الأداة**
- **! تأكد أن الجانب المغلق من الحاجز الواقي دائماً ما يواجه المشغل**
- إذا لزم الأمر، اضبط واقي الحماية F عن طريق ربط البرغي G الذي تم ضبطه مسبقاً أثناء عملية التصنيع (تأكد أن واقي الحماية مغلق)
- قبل استخدام الأداة
- من تركيب الملحق بشكل صحيح ومن إكحكرم تثبيته:
- خقق من سير الملحق بحرية عن طريق إدارته يدوياً:
- قم باختبار تشغيل الأداة لمدة ١٠ ثانية في الوضع الآمن على أعلى سرعة للأداة بدون حمل:
- توقف فوراً في حالة حدوث اهتزاز ملحوظ أو أي أعطال أخرى. وافحص الأداة لتحديد السبب:
- مفتاح تأمين التشغيل/الإيقاف ⑪ L
- قم بتشغيل الأداة a ⑫
- **! انتبه جيداً للضمانات المفاجأة عند تشغيل الأداة:**
- قبل ملازمة الملحق لقطعة العمل، يجب أن تعمل الأداة بسرعتها الكاملة:
- قم بتأمين المفتاح b ⑬
- قم بإلغاء تأمين المفتاح/إيقاف تشغيل الأداة c ⑭
- **! قبل إيقاف تشغيل الأداة، يجب أن قطعها عن قطعة العمل:**
- **! يستمر الملحق في الدوران لمدة قصيرة بعد إيقاف تشغيل الأداة**
- التخليخ ⑮
- قم بتحريك الأداة للأمام وللخلف بالضغط برفق
- **! لا تقم مطلقاً باستخدام قرص القطع للقيام بالتخليخ الجانبي**
- القطع ⑯
- لا تقم بإمالة الأداة أثناء القطع
- قم دائماً بتحريك الأداة في نفس اتجاه السهم الموضح على رأس الأداة. لمنع دفع الأداة خارج القطع على نحو لا يمكن السيطرة عليه
- تجنب الضغط المفرط عند استخدام الأداة ودع سرعة قرص القطع تقوم بالعمل
- تعتمد سرعة عمل قرص القطع على المادة التي سيتم قطعها
- لا تقم بإيقاف أقراص القطع باستخدام ضغط جانبي
- إمساك الأداة وتوجيهها
- أكحكرم دائماً الإمساك بالأداة بكلتا يديك وبالتالي سيمكنك التحكم في الأداة طوال الوقت بشكل تام
- **! أثناء العمل، امسك الأداة دائماً من منطقة (مناطق) القبض رمادية اللون**

⑬:

ت) ينبغي أن يتم تركيب غطاء الوقاية على العدة الكهربائية بشكل آمن وأن يضغط بحيث يتم التوصل إلى أعلى درجة أمان ممكنة. أي أن أصغر جزء يمكن من قرص التخليخ المكشوف يدل نحو المستخدم. يساعد الواقي على حماية المشغل من الأجزاء المكشورة من العجلة، وملامسة العجل والشرارة عن طريق الخطأ بما يؤدي إلى إشعال الملائح:

ث) يجوز استخدام أقراص التخليخ فقط لأعمال الشغل المخصصة لها. مثلاً: لا يتم بالتخليخ بواسطة السطح الجانبي لقرص القطع أبداً. إن أقراص القطع مخصصة لإزاحة المادة بواسطة حافة القرص؛ قد يؤدي تأثير القوى على هذه الأقراص من الجانب إلى كسرها.

ج) استخدم مع قرص التخليخ الذي تختاره دائماً شفات سليمة وبالمناس والشكل الصحيحين. إن شفات النسد الملائمة تسند قرص التخليخ وتقلل بذلك خطر كسر قرص التخليخ. قد تختلف شفات أقراص القطع عن شفات أقراص التخليخ الأخرى.

ح) لا تستخدم أقراص التخليخ المستهلكة من العدد الكهربائية الكبيرة. إن أقراص التخليخ الخاصة بالعدد الكهربائية الكبيرة غير مخصصة لأعداد الدوران العالية بالعدد الكهربائية الصغيرة وقد تكسر.

د) تعليمات خذير إضافية خاصة للقطع
أ) تجنب استعصاء قرص القطع أو فرط ضغط الارتكاز: لا تقوم بقطع المقاطع الشديدة العمق. إن فرط خميل قرص القطع يزيد استهلاكه واحتمال التكلب أو الاستعصاء وبذلك حدوث الصدمات الارتدادية أو كسر القرص.

ب) تجنب المجال المتواجد أمام وخلف قرص القطع الدوار. إن حركت قرص القطع في قطعة الشغل بعيداً إياه عن جسمك. فقد يتم فذف العدة الكهربائية مع القرص الدوار عليك مباشرة في حال حدوث صدمة ارتدادية.

ت) اطفئ العدة الكهربائية في حال استعصاء قرص القطع أو انقطاع عن الشغل وامسكها بهدوء إلى أن يتوقف. لا تحاول سحب القرص الدوار إلى خارج المقطع أبداً فقد تنتج عن ذلك صدمة ارتدادية. ابحث عن سبب التكلب واعمل على إزالته.

ث) لا تعاد تشغيل العدة الكهربائية ما دامت غاطسة في قطعة الشغل. اسمح لقرص القطع أن يتوصل إلى عدد دورانه الكامل قبل أن تتابع بإجراء عملية القطع باحتراس. وإلا فقد يتكلب القرص. فيفجز إلى خارج قطعة الشغل أو قد يسبب صدمة ارتدادية.

ج) احتس الصفايح أو قطع الشغل الكبيرة لكي تقلل خطر الصدمات الارتدادية الناتجة عن قرص قطع مستعص. قد تتحني قطع الشغل الكبيرة من جراء وزنها الذاتي. يجب أن تسند قطعة الشغل من الطرفين وإيضاً على مقربة من مكان القطع ومن الحافة.

ح) احتس بشكل خاص عند إجراء "القطع الجيبية" في الجدران القديمة أو غيرها من المجالات المحيوية الرؤية. قد يؤدي قرص القطع الغاطس إلى حصول صدمة ارتدادية عند قطع خطوط الغاز أو الماء أو الكهرباء أو غيرها من الأغراض.

خذيرات السلامة الإضافية

معلومات عامة

- هذه الأداة غير مناسبة للتخليخ/القطع الرطب
- استخدم الشفايح التي ترد مع هذه الأداة فقط
- لا يجب استخدام هذه الأداة من قبل الأشخاص الأقل من 16 عام؛
- إزالة البطارية من الأداة قبل إجراء أي عمليات ضبط أو تغيير على أي من الملحقات

الملحقات

- تضمن SKIL التشغيل السليم للأداة فقط عند استخدام الملحقات الأصلية؛
- لتركيب/الاستخدام ملحقات من إنتاج شركات أخرى بخلاف SKIL يجب الانتباه جيداً إلى تعليمات الشركة المنتجة؛
- استخدم فقط عجلات جليخ الأصلية بحد أقصى للسلك 6 م وقطر فتحة عمود الدوران 22 م
- لا تقم مطلقاً باستخدام مصغرات أو مهايئات لتركيب أقراص جليخ/قطع بشفحات كبيرة
- لا تستخدم ملحقات مع ثقب ملولب "غير نافذ" أصغر من 14 x 1 م 11 ملليمتر
- امسك وخرّن أقراص التخليخ/القطع بحذر لتجنب تعرضها للترقق والكسر
- قبل الاستخدام
- قبل استخدام الأداة لأول مرة. يوصى بالحصول على المعلومات العملية
- قم دائماً بتركيب مقبض مساعد E 1 وحاجز وافي F 1؛ ولا تقم مطلقاً باستخدام الأداة بدونهما؛
- استخدم كاشفات ملائمة للعثور على خط المرافق أو اطلب شركة المرافق المحلية للحصول على مساعدة التلامس مع خطوط إمداد الكهرباء قد يؤدي إلى

حدوث حريق أو صدمة كهربائية؛ وتلف خط الغاز قد يؤدي إلى حدوث انفجار؛ واختراق أنابيب المياه سيسبب في حدوث ضرر في الممتلكات أو صدمة كهربائية؛

- لا تعمل باستخدام مواد تشتمل على الأستبتوس (يعتبر الأستبتوس مادة مسرطنة)؛
- الغبار الناتج من المواد الكاطلاء الذي يحتوي على رصاص وبعض أنواع الأخشاب واللحان والكيونات المعدنية قد يكون ضاراً (ملامسة أو استنشاق الغبار قد تتسبب في إصابة المشغل أو من يجاوره بأمراض الحساسية و/أو أمراض الجهاز التنفسي)؛
- قم بإرتداء قناع الغبار مع العمل باستخدام جهاز شفط للغبار. طالما أمكن توصيله
- ثمة أنواع معينة من الغبار تُصنّف على أنها مواد مسيبة للسرطان (مثل غبار خشب البلوط والزان) خاصة عند استخدامها مع مواد مضافة لعلاجة الخشب؛ قم بإرتداء قناع الغبار مع العمل باستخدام جهاز شفط للغبار. طالما أمكن توصيله

التزم بالتعليمات الوطنية الخاصة بالغبار عند العمل باستخدام المواد المطلوبة كن حذراً عند قطع التلمعات خاصة في جدران الصم (عادة ما تضع الفتحات في جدران الصم للقوانين الخاصة بكل دولة؛ يجب العمل وفقاً لهذه القوانين في جميع الحالات)؛

ثبت قطعة العمل (الإمسك بقطعة عمل مثبتة بجهاز تثبيت أو في ملزمة أكثر أمناً من مسكها باليد؛

لا تثبت الأداة في ملزمة؛

أثناء الاستخدام

- في حالة حدوث خلل كهربائي أو ميكانيكي. أوقف تشغيل الأداة فوراً وأزل البطارية في حالة انقطاع حماية البطارية أو عند إزالة البطارية. لن تقوم الأداة بإعادة التشغيل تلقائياً. لإعادة تشغيل الأداة قم بإلغاء قفل مفتاح التشغيل/الإيقاف وتشغيل الأداة مرة أخرى ①

بعد الاستخدام
بعد إيقاف تشغيل الأداة. امتنع نهائيّاً عن إيقاف دوران الملحق باستخدام قوة جانبية

تفترضه؛

البطاريات

- البطارية المرهودة مشحونة جزئياً (الضمان السعة الكاملة للبطارية. قم بشحن البطارية بالكامل في شاحن البطارية قبل استخدام الأداة الكهربائية لأول مرة)
- استخدم البطاريات والشواحن التي ترد مع هذه الأداة فقط
 - بطارية BR: SKIL: 2100***
 - شاحن CR: SKIL: 2100***
- لا تستخدم البطارية إذا تعرضت للتلّف؛ يجب استبدالها
- لا تقم بتفكيك البطارية
- لا تعرض الأداة/البطارية للأحطار
- درجة الحرارة المحيطة بالسّموح بها (الأداة/الشاحن/البطارية)؛
- عند الشحن 4...°C مئوية
- أثناء التشغيل 20...°C مئوية
- أثناء التخزين 20...°C مئوية

شرح الرموز الموجودة على الأداة/البطارية

- ② قم بقراءة دليل الإرشادات قبل الاستخدام
- ④ ارتد نظارات الأمان وواقبات السمع؛
- ⑤ قد تفجر البطاريات عندما يتم التخلص منها بإشعال النار بها. لذا لا تقم بإحراقها أو تكامل لأي سبب من الأسباب
- ① قم بتخزين الأداة/الشاحن/البطارية في أماكن لا تتجاوز درجة الحرارة فيها 50 درجة مئوية؛
- ⑦ لا تتخلص من الأدوات الكهربائية والبطاريات مع النفايات المنزلية

الاستخدام

- الشحن البطارية
- ! اقرأ خذيرات السلامة والتعليمات المرفقة بالشاحن
- فك/تركيب البطارية ①
- مين مستوى البطارية ②
- اضغط على زر مؤشر مستوى البطارية ل تعرض مستوى البطارية الحالي a ③
- ! عندما يبدأ المستوى الأقل في مؤشر البطارية بالوميض بعد الضغط على الزر a ④؛ تكون البطارية فارغة
- ! عندما يبدأ ② من مستويات مؤشر البطارية بالوميض بعد الضغط على الزر a ⑤؛ لا تكون البطارية ضمن نطاق درجة حرارة التشغيل المسموح بها حماية البطارية
- يتم إيقاف تشغيل الأداة أو منع تشغيلها بصورة مفاجئة عندما يكون المحمل زائداً - - - - - قم بإزالة المحمل وإعادة البدء

- ٥) حسن معاملة واستخدام العدد المزودة برمك
- أ) أشحن المراكم فقط في أجهزة الشحن التي ينصح باستخدامها من طرف المنتج. يعم خطر نشوب الحرائق بأجهزة الشحن المخصصة لنوع معين من المراكم إن تم إستخدامها مع نوع آخر من المراكم.
- ب) استخدم بالعدد الكهربائي فقط المراكم المخصصة لذلك. قد يؤدي استخدام المراكم الأخرى إلى الإصابات إلى خطر نشوب الحرائق.
- ت) حافظ على إبعاد المراكم الذي لا يتم إستعماله عن مشابك الورق وقطع النقود المعدنية والخامات والمسامير والوالاب وغيرها من الأغراض المعدنية الصغيرة التي قد تقوم بتوصيل الملامسين ببعضها البعض. قد يؤدي تقصير الدارة الكهربائية بين ملامس المركم على الإحراق أو إلى إندلاع النار.
- ث) قد يتسبب السائل من المركم عند سوء الإستعمال. تجنب ملامسته. اشطفه بالماء في حال ملامسته صدفة. إن وصل السائل إلى العينين، فراجع الطبيب إضافة إلى ذلك، قد يؤدي سائل المركم المتسرب إلى تهيج البشرة أو إلى الإحراق.
- ج) لا تستخدم حزمة بطاريات أو أداة تالفة أو معدلة. قد تظهر البطاريات التالفة أو المعدلة سلوكيات غير متوقعة ينجم عنها حدوث حريق أو انفجار أو خطر التعرض للإصابة.
- ح) تجنب تعرض حزمة البطاريات أو الأداة للهيب أو درجة الحرارة الزائدة التعريض للهيب أو درجة حرارة أعلى من ٣١ درجة مئوية قد يتسبب في حدوث انفجار.
- خ) اتبع كل تعليمات الشحن ولا تقم بشحن حزمة البطاريات أو الأداة خارج نطاق درجة الحرارة المحدد في التعليمات. إن الشحن على نحو غير صحيح أو عند درجات حرارة تتجاوز النطاق المحدد قد يتسبب في تلف البطارية وزيادة خطر حدوث حريق.
- ١) الخدمة
- أ) اسمح بتصليح عدتك الكهربائية فقط من قبل المتخصصين فقط باستخدام قطع الغيار الأصلية. يؤمن ذلك المحافظة على أمان الجهاز.
- ب) تجنب تماماً قطع حزم بطاريات تالفة. ينبغي إجراء أعمال الخدمة على حزم البطاريات بمعرفة الشركة المصنعة أو مزودي الخدمة المعتمدين فقط.
- تعليمات السلامة الخاصة بالجلاجة الزاوية
- ١) خذيرات السلامة المخصصة لعمليات التخليج أو القطع الكاشط
- أ) يتمثل الغرض من هذه الأداة الكهربائية في الاستخدام كأداة جليخ أو قطع قم وبغاية كافة خذيرات السلامة والتعليمات والأشكال التوضيحية والوصافات المرفقة مع هذه الأداة الكهربائية. فقد يؤدي الإخفاق في الالتزام بكافة التعليمات المدرجة أدناه إلى التعرض لصدمة كهربائية أو حريق وأو إصابة خطيرة.
- ب) لا يوصى باستخدام هذه الأداة الكهربائية لأغراض الصنفرة أو الصقل أو عند استخدام الفرشاة السلكية؛ حيث قد يصعب استخدام الأداة في أغرض بخلاف تلك المصممة خصيصاً من أجلها خطراً وقد يتسبب في حدوث إصابة شخصية؛
- ت) لا تستعمل التوايح التي لم يتم تصميص باستعمالها ولم يخصصها المنتج لهذه العدة الكهربائية بالذات. إن مجرد إمكانية تثبيت التوايح بالعدة الكهربائية لا تكفل إمكانية الاستعمال بأمان.
- ث) يجب أن توافق قيمة عدد دوران عدة الشغل المسموح به على الأقل قيمة عدد الدوران الأقصى المذكور على العدة الكهربائية. إن التوايح التي تدور بسرعة تزيد عن السرعة المسموحة، قد تنكسر وتنتظار.
- ج) يجب أن يتوافق كلا من قطر وتخن عدة الشغل مع قيم القياسات بالعدة الكهربائية. لا يمكن التحكم بعدد الشغل ذات المسافات الخاطئة أو الاتفاء منها بشكل كاف.
- ح) يجب أن يطابق التركيب المسنن للملحقات مع سن لولب عمود دوران أداة الجليخ؛ للملحقات المركبة بواسطة الفتحات. يجب أن تتناسب فتحة محول المحق مع قطر تركيب الفتحة؛ تستعمل الملحقات التي لا تتناسب مع جهاز تركيب الأداة الكهربائية على نحو غير متوازن وستهتز بشكل مفرط وقد يتسبب فقدان التحكم؛
- خ) لا تستخدم عدد الشغل التالفة. تفحص عدد الشغل قبل كل استعمال. كإقراص التخليج على التشقق والشظايا. أطباق التخليج على التشقق والتصدع أو شدة الاستهلاك، والفرش المعدنية على وجود الأسلاك السائبة أو المكسرة. إن سقطت العدة الكهربائية أو عدة الشغل على الأرض، فتفحص إن كانت قد أصيبت بخلل أو استخدم عدة شغل غير تالفة. إن حكمت بعد الشغل وركبتها، فحافظ على إبقائها وغيرك من الأشخاص على بعد عن مستودع عدد الشغل الدوارة وشغل الأداة الكهربائية بعد الدوران الأقصى لمدة دقيقة واحدة إن عدد الشغل التالفة غالباً ما تنكسر خلال هذه المدة التجريبية.
- د) ارتد عتاء وقاية شخصي. استخدم حسب الاستعمال وقاية كاملة للوجه. وواقية للعينين أو نظارات واقية. ارتد عند الضرورة قناع للوقاية من الغبار وواقية سماع وقفازات واقية أو مريول خاص يبعد عنك جسيمات التخليج والمواد
- الديقية. ينبغي وقاية العينين من الجسيمات الغريبة المتطايرة التي تنتج عن الاستعمالات المختلفة. يجب أن تقوم الأئقعة الواقية للنفس والواقية من الغبار بترشيح الأغبرة الناتجة عن الاستخدام. قد تصاب بفقدان السمع إن تعرضت لضجيج عال لفترة طويلة.
- ع) انبه إلى ابتعاد الآخرين إن مجال عملك بمسافة آمنة. ينبغي أن يرتدي كل من يطى مجال العمل عتاء وقاية شخصي. قد تتطاير أجزاء من قطعة الشغل أو عدد الشغل المكسورة لتسبب الإصابات حتى خارج مجال العمل المباشر.
- ف) امسك الأداة الكهربائية باستخدام أسطح الإمساك العزولة عند إجراء أية عملية قد تلامس فيها أحد الملحقات مع سلك مستقر فلامتاس أحد الملحقات مع سلك "متصل بالكهرباء" قد يؤدي إلى "وصول التيار الكهربائي" إلى أجزاء معدنية مكشوفة بالأداة الكهربائية وتعرض الشغل لصدمة كهربائية؛
- ز) حافظ على إبعاد كابل الشبكة الكهربائية عن عدد الشغل الدوارة. إن فقدت السيطرة على الجهاز فقد يقطع أو يتكبل كابل الشبكة الكهربائية وقد تسحب يدك أو ذراعك إلى عدة الشغل الدوارة.
- س) لا تترك العدة الكهربائية أبداً قبل أن تتوقف عدة الشغل عن الحركة تماماً. قد تتلامس عدة الشغل مع سطح التزكين ما قد يؤدي إلى فقدان التحكم بالعدة الكهربائية.
- ش) لا تترك العدة الكهربائية قيد الحركة أثناء حملها. قد تتكبل ثيابك عند ملامسة عدة الشغل بشكل غير مقصود وقد تنغرز عدة الشغل في جسدك.
- ص) نظف شقوق التهوية بعندك الكهربائية بشكل منتظم. إن مفاخ المحرك يتسبب الغبار إلى داخل الهيكل، وتراكم الأغبرة المعدنية الشديد قد يشكل المخاطر الكهربائية.
- ض) لا تستخدم العدة الكهربائية على مقربة من المواد القابلة للاحتراق. قد يؤدي الشرر إلى اشتعال هذه المواد.
- ط) لا تستخدم عدد الشغل التي تتطلب مواد التبريد السائلة. قد يؤدي استعمال الماء أو غيرها من مواد التبريد السائلة إلى حدوث الصدمات الكهربائية.
- ٢) الصدمات الارتدادية وتعليمات التحذير المتعلقة بها
- الصدمات الارتدادية هي عبارة عن رد الفعل الفزائلي على أثر عدة الشغل الدوارة المتكبل أو المتصصية. كغرض التخليج وشن التخليج والفرشاة المعدنية وإلخ يؤدي التكبل أو الاستعصاء إلى توقف عدة الشغل الدوارة بشكل مفاجئ ويتم بذلك تسارع العدة الكهربائية التي فقدت التحكم بها بعكس اتجاه دوران عدة الشغل عند مكان الاستعصاء.
 - إن استعصى أو تكبل قرص التخليج مثلاً في قطعة الشغل. فقد تنضبط حافة قرص التخليج التي غطست في مادة الشغل ما يؤدي إلى انحراف قرص التخليج أو إلى حدوث صدمة ارتدادية يتحرك قرص التخليج عندهذا إما نحو المستخدم أو مبتعداً عنه حسب اتجاه دوران القرص عند مكان الاستعصاء. قد تنكسر أقراص التخليج أيضاً أثناء ذلك.
 - إن الصدمة الارتدادية هي نتيجة لاستخدام العدة الكهربائية بشكل خاطئ أو غير صحيح. ويكن تجنبها من خلال إجراءات الاحتياط الملائمة اللاحقة الذكر.
- أ) اقبض على العدة الكهربائية بإحكام وركز جسدك وذراعيك بوضع يسمح لك بصد قوى الصدمات الارتدادية. استخدم المقبض الإضافي دائماً إن وجد للتوصل إلى أكبر تحكم ممكن بقوى الصدمات الارتدادية أو عزوم رد الفعل أثناء ارتفاع عدد الدوران يمكن للمستخدم أن يسيطر على قوى الصدمات الارتدادية وعزوم رد الفعل من خلال إجراءات الاحتياط المناسبة.
- ب) لا تقرب يديك من عدد الشغل الدوارة أبداً. قد تتحرك عدة الشغل عبر يدك عند حدوث صدمة ارتدادية.
- ت) تجنب بجسلك الجمال الذي ستتحرك به العدة الكهربائية عند حدوث صدمة ارتدادية. حرك الصدمة الارتدادية العدة الكهربائية بعكس اتجاه حركة قرص التخليج عند مكان الاستعصاء.
- ث) اشغل باحتراس خاص في مجال الزوايا والحواف الحادة والخ. تجنب ارتداد عدد الشغل عند قطعة الشغل والشغل واستعصائها. ترجع عدد الشغل الدوارة إلى التكبل عند الزوايا والحواف الحادة أو عندما ترتد. ويؤدي ذلك إلى فقدان التحكم أو إلى الصدمات الارتدادية.
- ج) لا تستخدم نصال المنشار الجزيرية أو النصال المسننة. إن عدد الشغل هذه غالباً ما تؤدي إلى الصدمات الارتدادية أو إلى فقدان السيطرة على العدة الكهربائية.
- ٣) تعليمات أمان خاصة للتخليج والقطع
- أ) استخدم فقط أقراص التخليج المخصصة للعدة الكهربائية هذه فقط غطاء الوقاية المخصص لأقراص التخليج هذه. لا يمكن حجب أقراص التخليج التي لم تخصص لهذه العدة الكهربائية بالذات بشكل كاف. فهي غير آمنة.
- ب) يجب تركيب سطح التخليج للعجلات المركزية المضغوطة أسفل سطح شفة الواقية؛ لا يمكن توفير الحماية الكافية للعجلة المركبة بشكل غير صحيح والتي تبرز من سطح شفة الواقية؛

كلس نودب ةيواز قخالج

٣٩٢١/٣٩٢٠

مقدمة

- تم تصميم هذه الأداة لعمليات التخليج الخفيفة وقطع وإزالة الحواف الخنثنة من المواد المعدنية والخبرية بدون استخدام الماء
- لم يتم تصميم هذه الأداة للاستخدام الاحترافي:
- تجنب الضغط المفرط عند استخدام الأداة؛ ودع سرعة قرص القطع تقوم بالعمل:
- لا يسمح بعمليات التقطيع من خلال أقراص القطع الكاشطة إلا عند استخدام وافي (مفتاح كملحق اختياري من SKIL ٢٥٣-٠٠٠-٢١١-٠١٠٠ / ٢١١-٠٠٠-٢٧٥-٠٠٠) القطع
- اقرأ دليل التعليمات هذا واحتفظ به ①

البيانات الفنية ①

مكونات الأداة ②

- | | |
|---|-----------------------------|
| A | عود دوران |
| B | عرقة تثبيت |
| C | مفتاح ربط |
| D | قفل مغزلي |
| E | مقبض مساعد |
| F | حاجز وافي |
| G | برغي وافي الحماية |
| H | شفة تركيب |
| J | مفتاح تأمين التشغيل/الإيقاف |
| K | فئات التهوئة |
| L | مين مستوى البطارية |
| M | ذراع وافي الحماية |

أمان

تحذيرات السلامة العامة للأداة الكهربائية

أخذيرت اقرأ كل تحذيرات السلامة والتعليمات والأشكال الإيضاحية والمواصفات المرفقة مع هذه الأداة الكهربائية فقد يؤدي الإخفاق في الالتزام بكل التعليمات المبينة فيما يلي إلى التعرض لصدمة كهربائية وأو حرق وأو إصابة خطيرة:

احتفظ بكل التحذيرات للرجوع إليها في المستقبل

التحذيرات إلى الأداة الكهربائية الخاصة بك التي « الأداة الكهربائية » يشير المصطلح تعمل بطاقة المآخذ الرئيسي (استخدام سلك(أو بطاقة البطارية (بدون سلك):

① الأمان يمكن الشغل

أ) حافظ على نظافة وحسن إضاءة مكان شغلك الفوضى في مكان الشغل ومجالات العمل الغير مضادة قد تؤدي إلى حدوث الحوادث.

ب) لا تشغلت بالعدة الكهربائية في محيط معرض لخطر الانفجار والذي تتوفر فيه السوائل أو الغازات أو الأبخرة القابلة للاشتعال. العدد الكهربائي تشكل الشرر الذي قد يتطاير فيشعل الأبخرة والأبخرة.

ت) حافظ على نقاء الأطفال وغيرهم من الأشخاص على بعد عندما تستعمل العدة الكهربائية. قد تفقد السيطرة على الجهاز عند التلهي.

② الأمان الكهربائي

أ) يجب أن يتلاءم قابس وصل العدة الكهربائية مع المقبس. لا يجوز تغيير القابس بأي حال من الأحوال. لا تستعمل القوابس المهيأة مع العدة الكهربائية المؤرضة تأريض وقائي. تخفض القوابس التي لم يتم تغييرها والمقابس الملائمة من خطر الصدمات الكهربائية.

ب) تجنب ملامسة السطوح المؤرضة كالأنياب ورادياتوارات التدفئة والمدافي أو المراتد بواسطة جسمك. يزداد خطر الصدمات الكهربائية عندما يكون جسمك مبرأ.

ت) عند العدة الكهربائية عن الأمطار أو الرطوبة. يزداد خطر الصدمات الكهربائية إن تسرب الماء إلى داخل العدة الكهربائية.

ت) يجب عدم إساءة استخدام الكابل. لا تسنّ استعمال الكابل لحمل العدة الكهربائية أو لتعليقها أو لسحب القابس من المقبس. حافظ على إبعاد الكابل عن الحرارة والزيوت والحواف الحادة أو عن أجزاء الجهاز المتحركة. تزيد الكابلات التالفة أو المتشابكة من خطر الصدمات الكهربائية.

ج) استخدم فقط كوابل التمديد الصالحة للإستعمال الخارجي أيضا عندما تشغلت بالعدة الكهربائية في الحلاء. يخفض استعمال كابل تمديد مخصص للإستعمال الخارجي من خطر الصدمات الكهربائية.

ح) إن لم يكن بالإمكان عدم تشغيل العدة الكهربائية في الأجواء الرطبة. فاستخدم مفتاح لولاقية من التيار المتردد. إن استخدام مفتاح لولاقية من التيار المتردد يقلل خطر الصدمات الكهربائية.

③ أمان الأشخاص

أ) كن يقظا وأنتبه إلى ما تفعله وقم بالعمل بواسطة العدة الكهربائية بتعقل. لا تستخدم عدة كهربائية عندما تكون متعب أو عندما تكون تحت تأثير المخدرات أو الكحول أو الأدوية. عدم الإنتباه للحظة واحدة عند إستخدام العدة الكهربائية قد يؤدي إلى إصابة خطيرة.

ب) ارتد عتاد الوقاية الخاص. وارتد دائما نظارات واقية. يجب إرتداء عتاد الوقاية الخاص كقفازات الوقاية من الغبار وأحذية الأمان الواقية من الإرتذاق والحدوة واقية الأذنين.

حسب نوع وإستعمال العدة الكهربائية. من خطر الإصابة بجروح.

ت) تجنب التشغيل بشكل غير مقصود. تأكد من كون العدة الكهربائية مطفاة قبل وصلها بإمداد التيار الكهربائي وأو بالركم. وقيل رفعها أو حملها. إن كنت تضع إصبعك على المفتاح أثناء حمل العدة الكهربائية أو إن وصلت الجهاز بالشبكة الكهربائية عندما يكون قيد التشغيل. فقد يؤدي ذلك إلى حدوث الحوادث.

ث) انزع عدد الضبط أو مفتاح الربط قبل تشغيل العدة الكهربائية. قد تؤدي العدة أو المفاتيح المتواجدة في جزء دوار من الجهاز إلى الإصابة بجروح.

ج) تجنب أوضاع الجسم غير الطبيعية. قف بأمان وحافظ على توازنك دائما. سيسمح لك ذلك من السيطرة على الجهاز بشكل أفضل في المواقف غير المتوقعة.

ح) ارتد ملابس مناسبة. لا ترتدي الثياب الفضفاضة أو الخلي. حافظ على إبقاء الشعر والفتحات والقفازات على بعد عن أجزاء الجهاز المتحركة. قد تتشابك الثياب الفضفاضة والخلي والشعر الطويل بالأجزاء المتحركة.

خ) إن جاز تركيب جهاز شغط وجميع القبار. فتأكد من أنها موصولة وبأنه يتم استخدامها بشكل سليم. قد يقلل إستخدام جهيزات لنشغط الأبخرة من الخطر الناتجة عن الأبخرة.

د) لا تدع أعتيائك على الاستخدام المتكرر للأدوات يسمح لك بتجاهل مبادئ سلامة الأداة: قد يتسبب الاستخدام بدون تكرار في حدوث إصابة بالغة في غضون ثواني:

④ حسن معاملة وإستخدام العدد الكهربائي

أ) لا تفرط في تحميل الجهاز. إستخدم لتنفيذ أشغالك العدة الكهربائية المخصصة لذلك. إنك تعمل بشكل أفضل وأكثر أمانا بواسطة العدة الكهربائية الملائمة في مجال الأداء المذكور.

ب) لا تستخدم العدة الكهربائية إن كان مفتاح تشغيلها تالف. العدة الكهربائية التي لم تعد تسمح بتشغيلها أو بإطفاؤها خطيرة ويجب أن يتم تصليحها.

ت) اسحب القابس من المقبس و / أو انزع المرمك قبل ضبط الجهاز وقبل إستبدال التوابع أو قبل وضع الجهاز جانباً. تمنع إجراءات الاحتياط هذه تشغيل العدة الكهربائية بشكل غير مقصود.

ث) احتفظ بالعدة الكهربائية التي لا يتم إستخدامها بعيدا عن متناول الأطفال. لا تسمح بإستخدام العدة الكهربائية لمن لاخبرة له بها أو لمن لم يقرأ تلك التعليمات.

ج) العدد الكهربائي خطيرة إن تم استخدامها من قبل أشخاص دون خبرة. اعتن بالعدة الكهربائية بشكل جيد. تفحص عما إذا كانت أجزاء الجهاز المتحركة تعمل بشكل سليم وبأنها غير مستعصية عن الحركة أو إن كانت هناك أجزاء مكسورة أو تالفة لدرجة تؤثر فيها على حسن أداء العدة

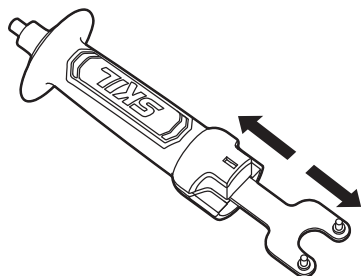
الكهربائية. ينبغي تصليح هذه الأجزاء التالفة قبل إعادة تشغيل الجهاز. الكثير من الحوادث مصدرها العدد الكهربائي التي تم صيانتها بشكل ردي.

ح) حافظ على إبقاء عدد القطع نظيفة وحادة. إن عدد القطع ذات حواف القطع الحادة التي تم صيانتها بعناية تكليس بشكل أقل ويمكن توجيهها بشكل أيسر.

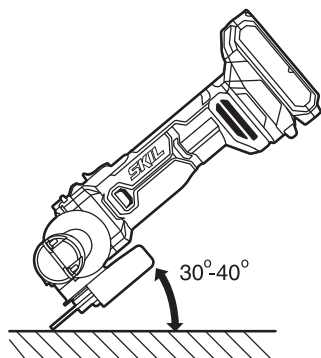
خ) استخدم العدة الكهربائية والتوابع وعدد الشغل وإلخ حسب هذه التعليمات. تراعى أثناء ذلك شروط الشغل والعمل المراد تنفيذة. استخدام العدد الكهربائي لغير الأشغال المخصصة لأجلها قد يؤدي إلى حدوث الحوادث الخطيرة.

د) احرص على جفاف القابض وأسطح الإمساك ونظافتهمما وخولهما من الزيت والنشم: لا تستخدم الإمساك وأسطح الإمساك الزلقة باستخدام والتحكم الأمن في الأداة في الحالات غير المتوقعة:

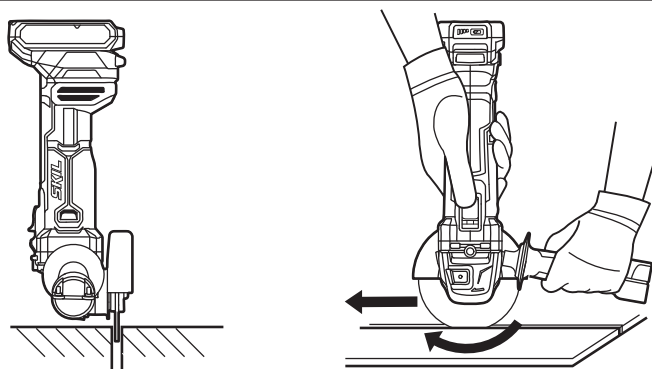
١٥



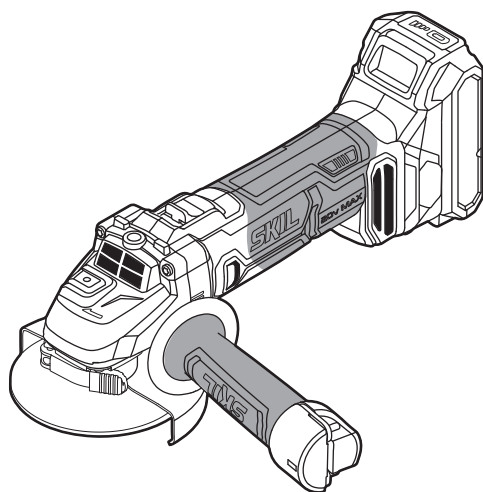
12

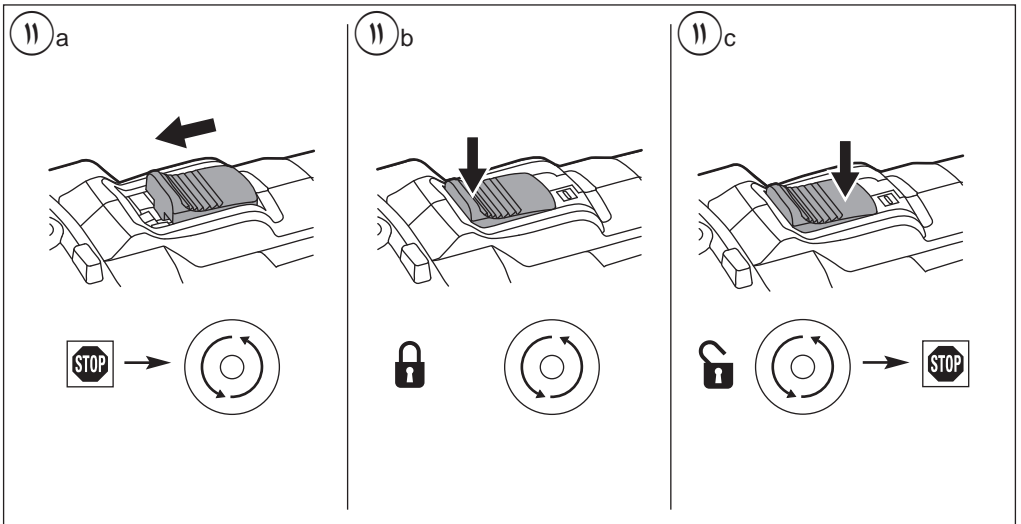
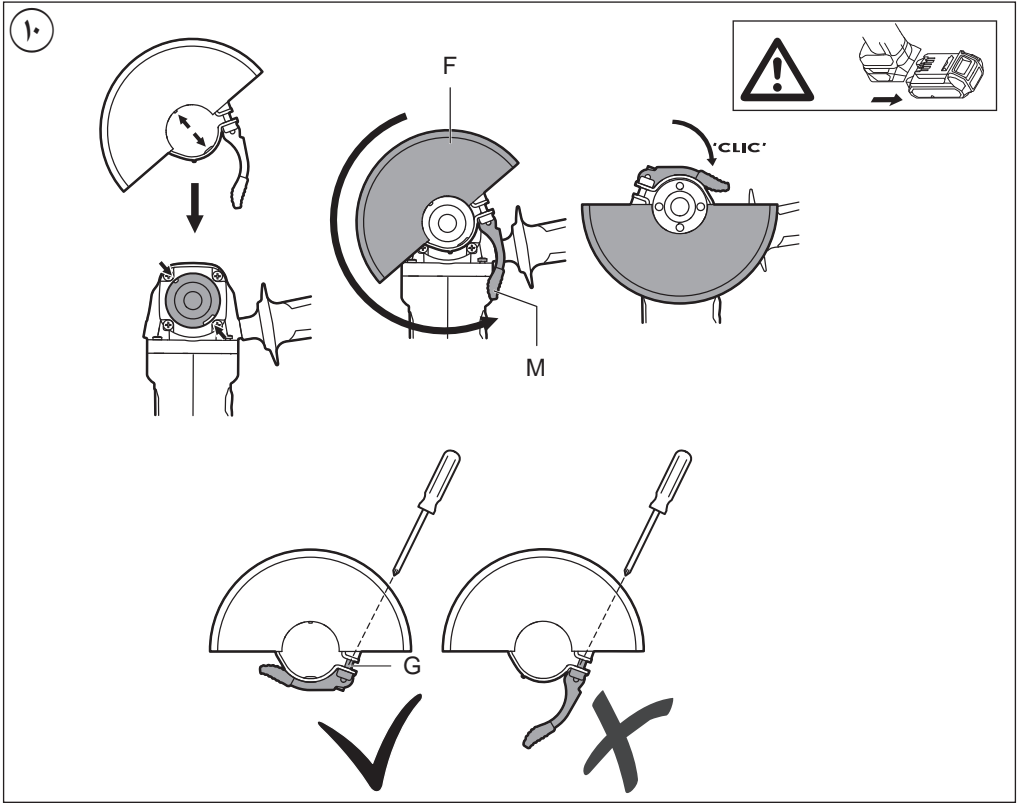


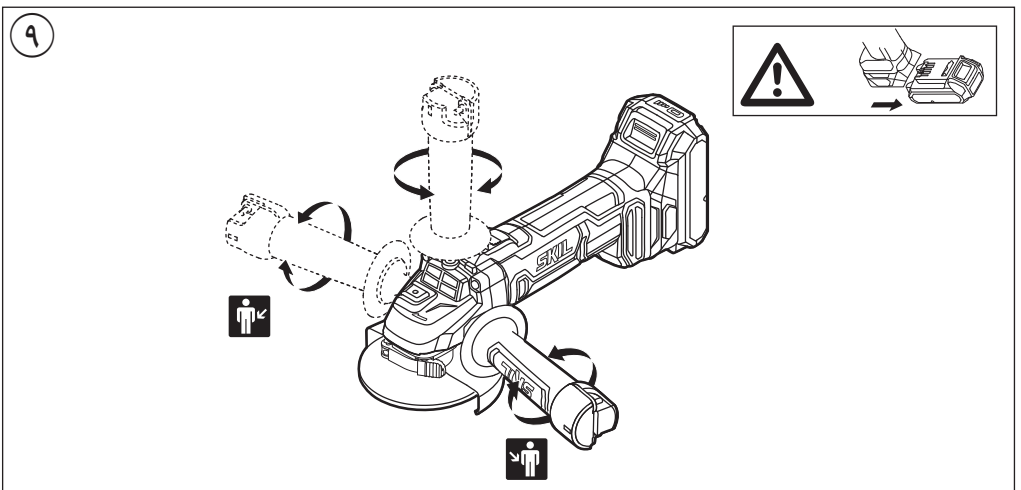
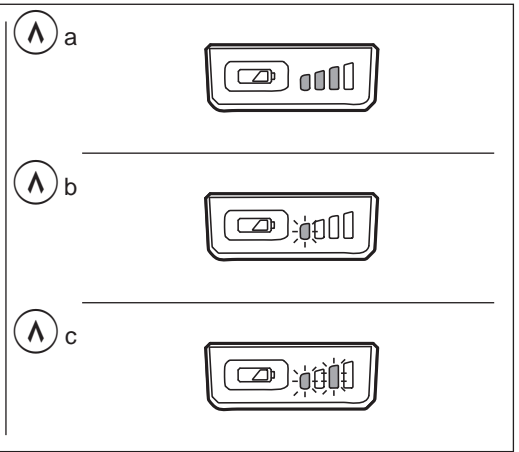
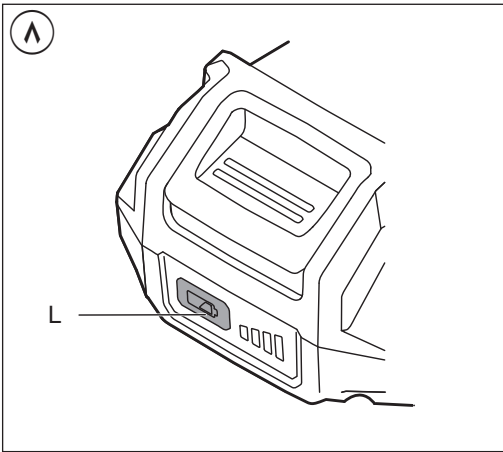
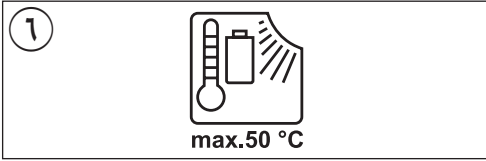
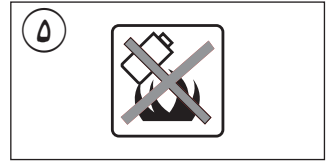
13



14







3920


20V Max
18
Volt


2,0 Ah
2,5 Ah


2,2 kg

4,0 Ah
5,0 Ah

2,5 kg


n
8500
/min

±115 mm
MAX.


MAX.

22mm


M14

3921

20V Max
18
Volt


2,0 Ah
2,5 Ah


2,3 kg

4,0 Ah
5,0 Ah

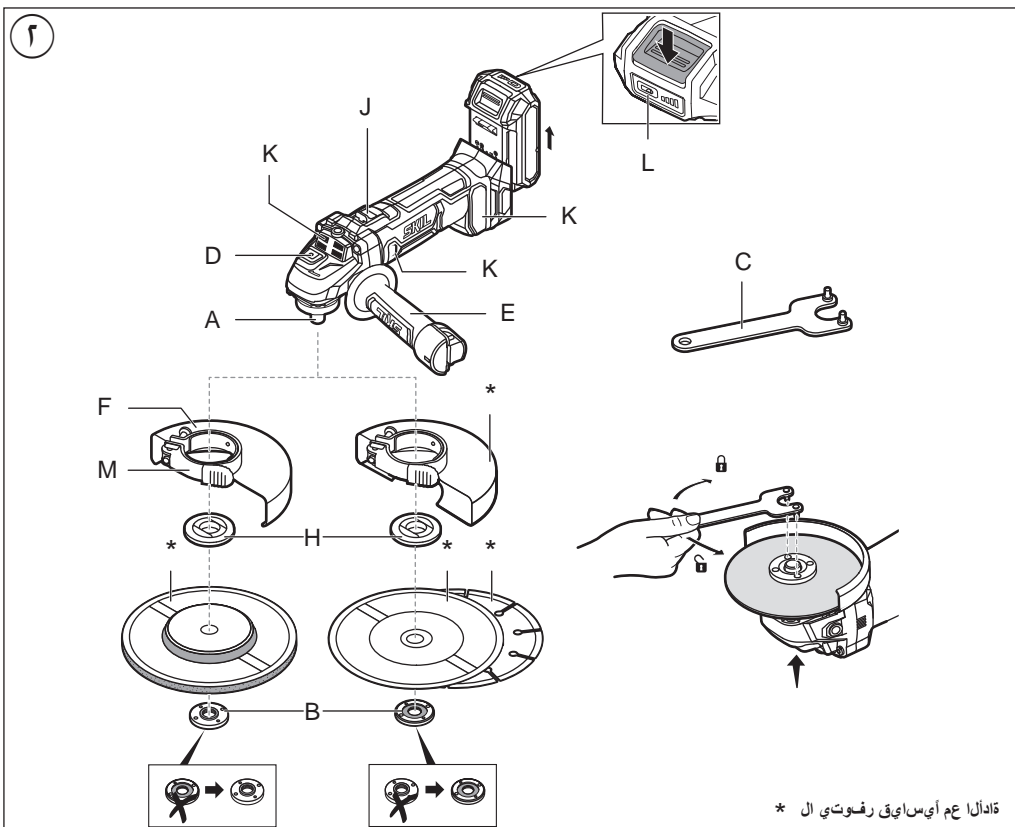
2,5 kg


n
8500
/min

±125 mm
MAX.


MAX.

22mm

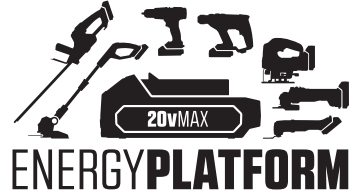
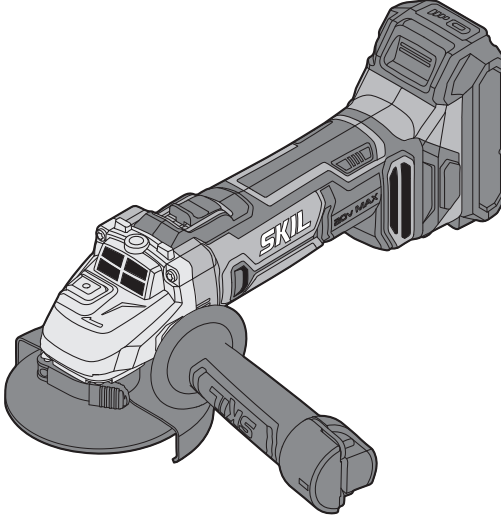

M14



جلاخة زاوية بدون سلك

3920
3921

SKIL®



دليل الاستعمال
راهنماي اصلي

AR

FA

