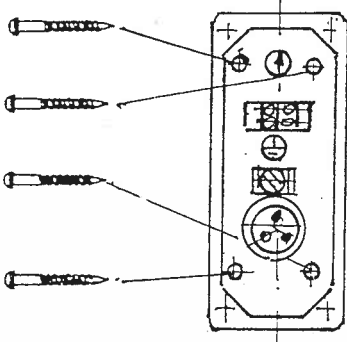
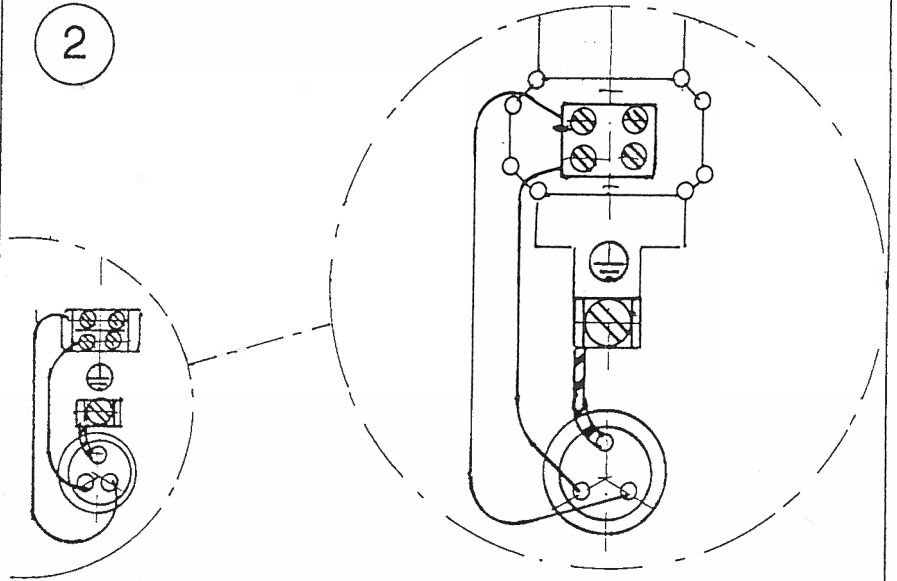


1

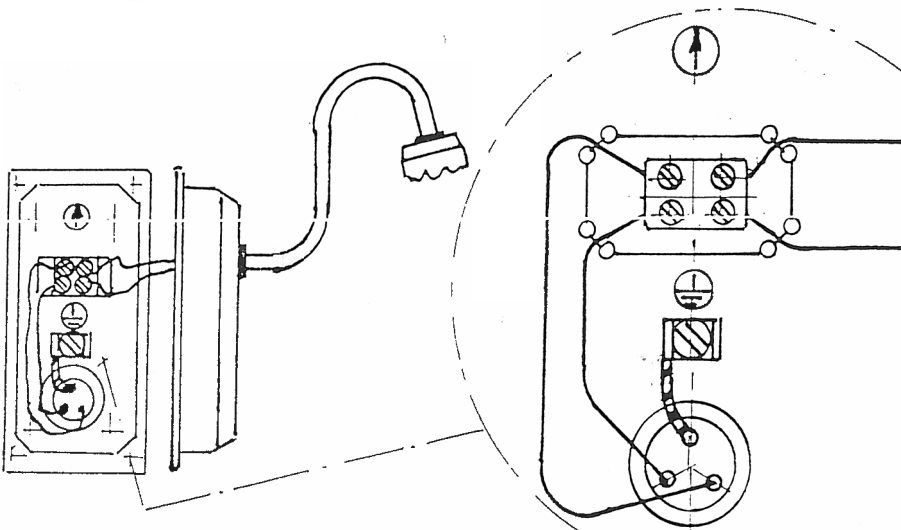
$\varnothing$  4.5mm (4x)



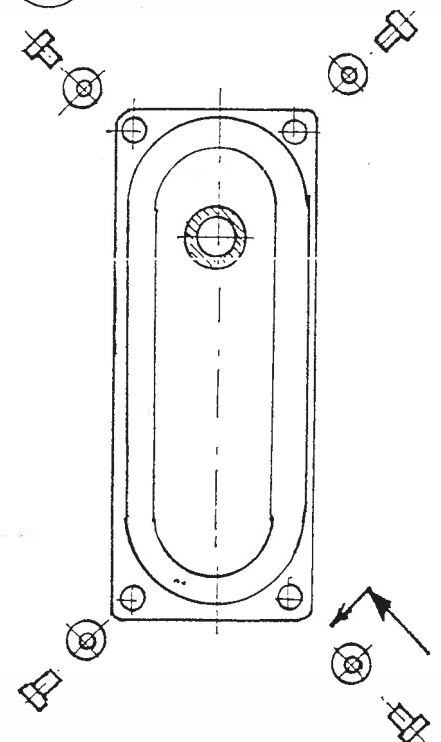
2



3



4



MOUNT. INSTR. 9 4580 302

M5x8 (4x)