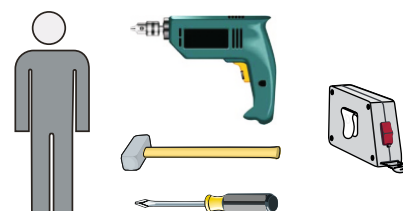
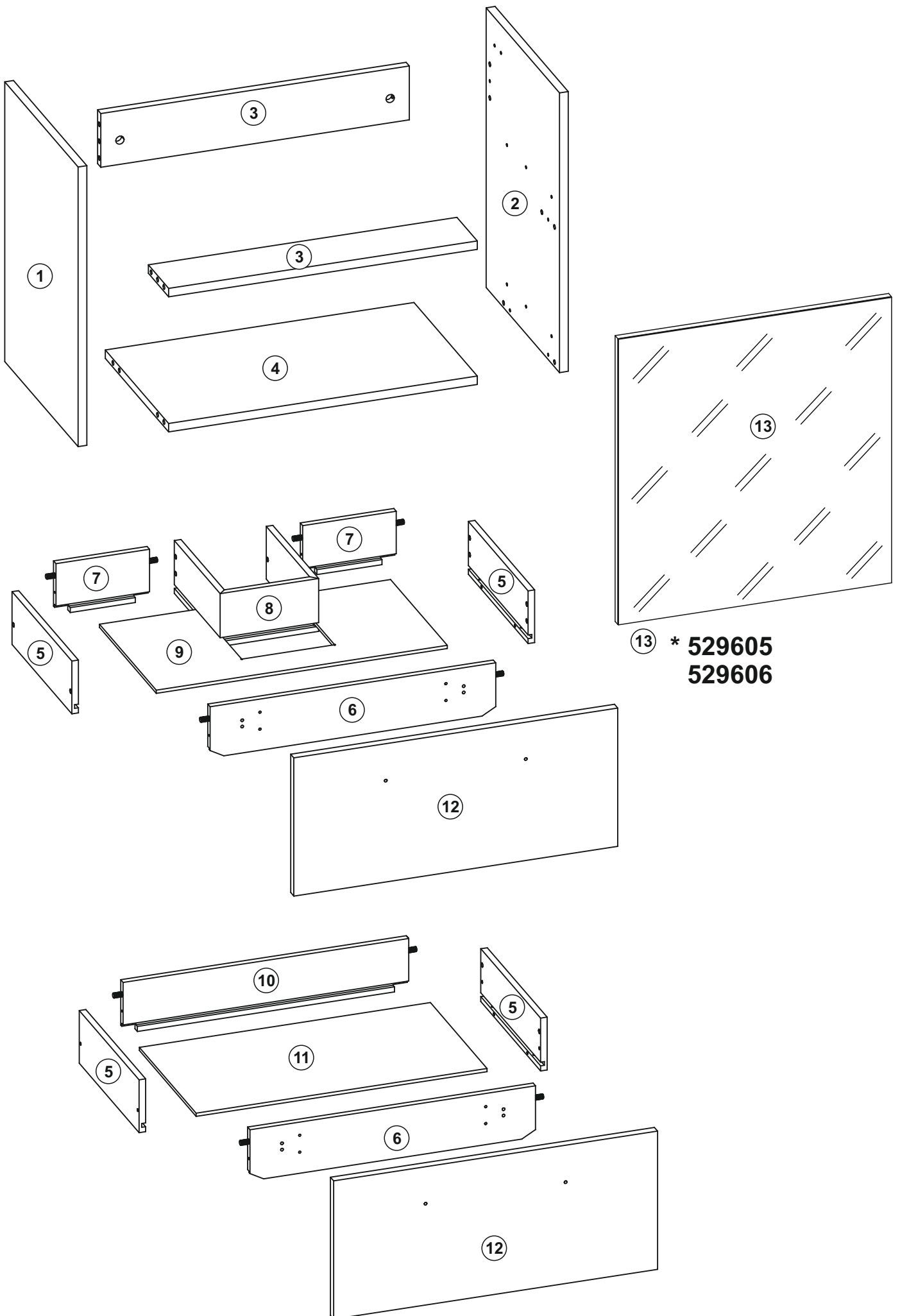

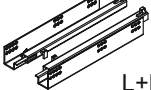
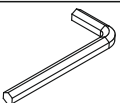


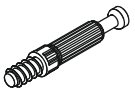

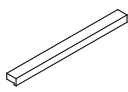

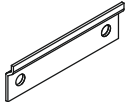
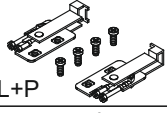
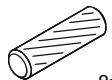
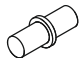

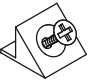

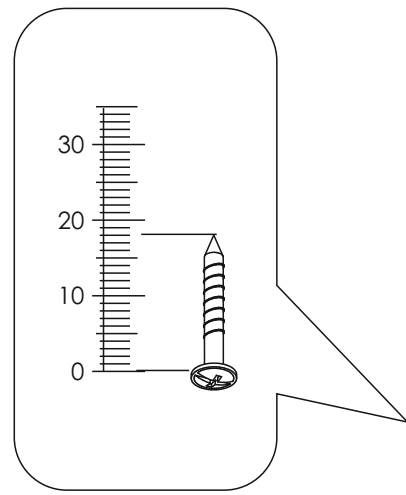
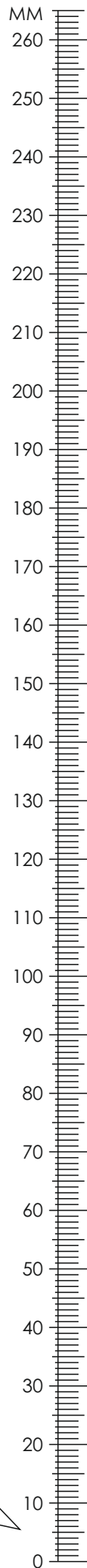


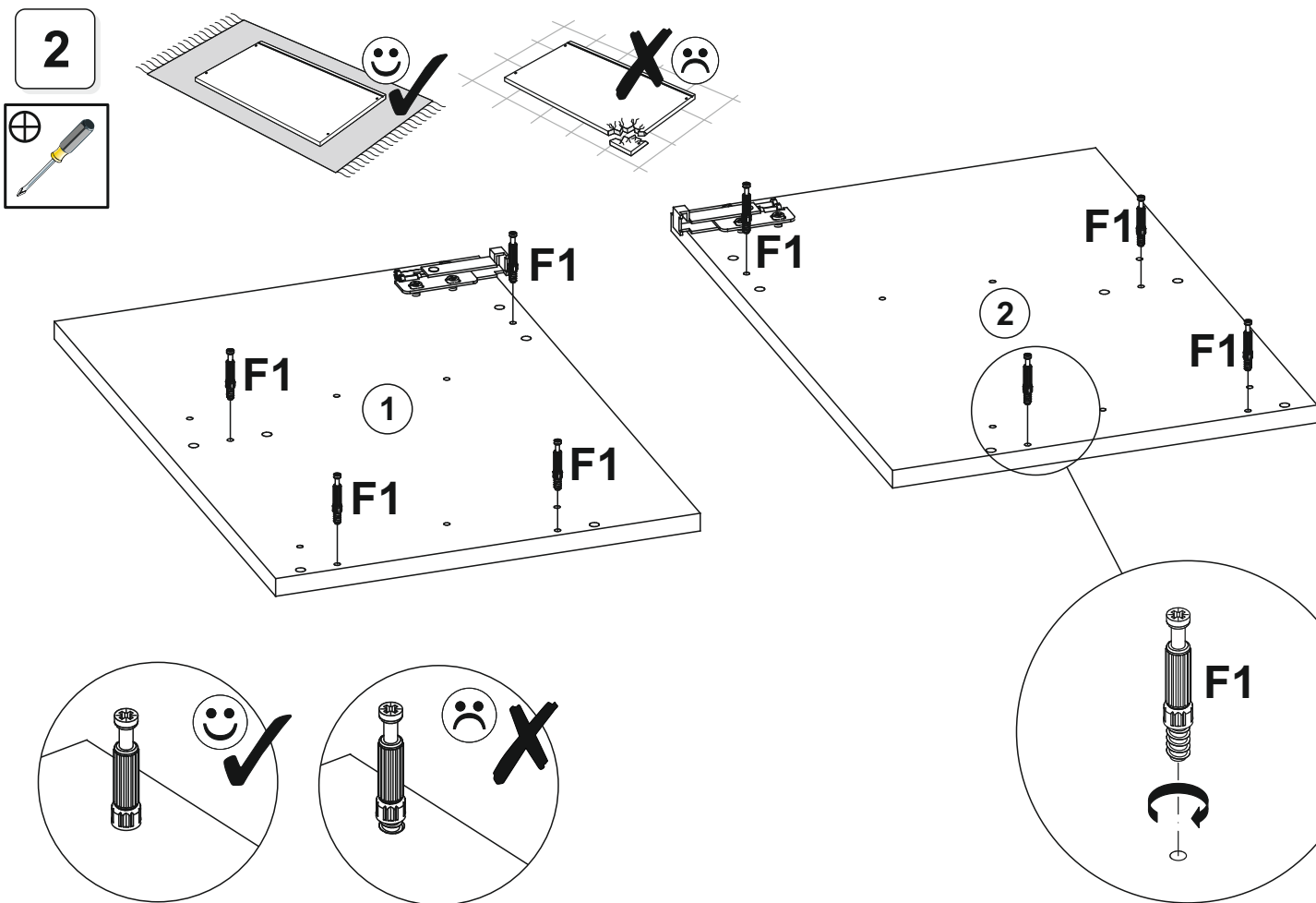
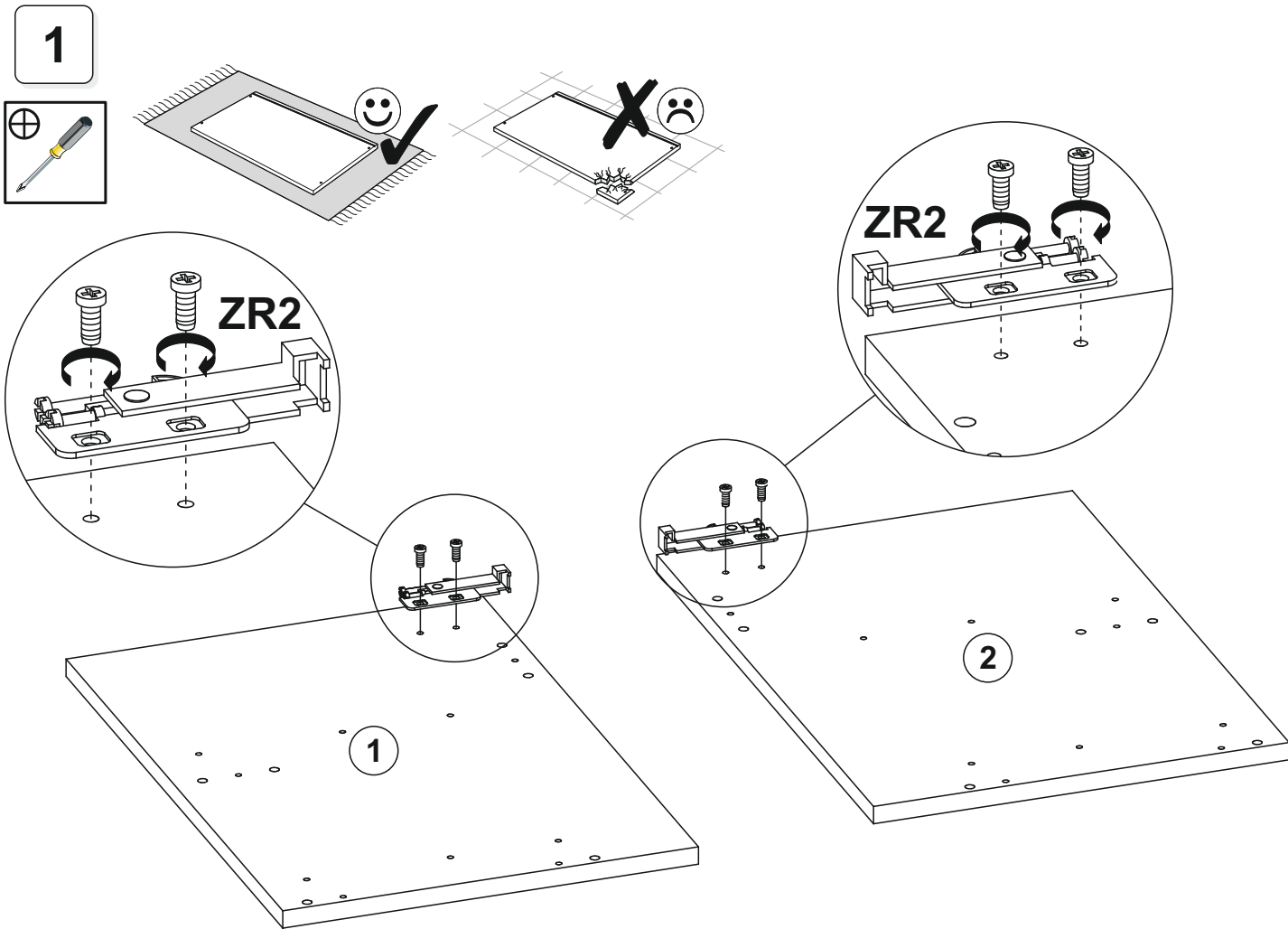
**60/80 2DR**  
**529605**  
**529606**  
**540875**  
**540879**  
**553440**  
**553441**  
**559282**  
**559283**  
**579579**  
**581182**  
**581185**

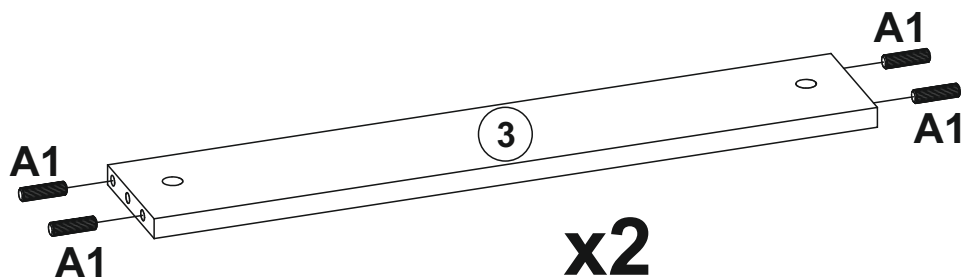
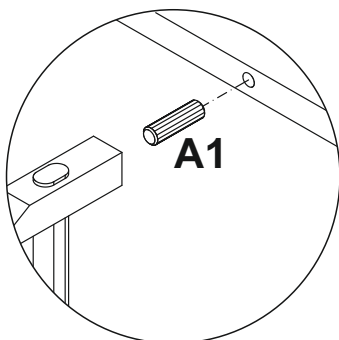
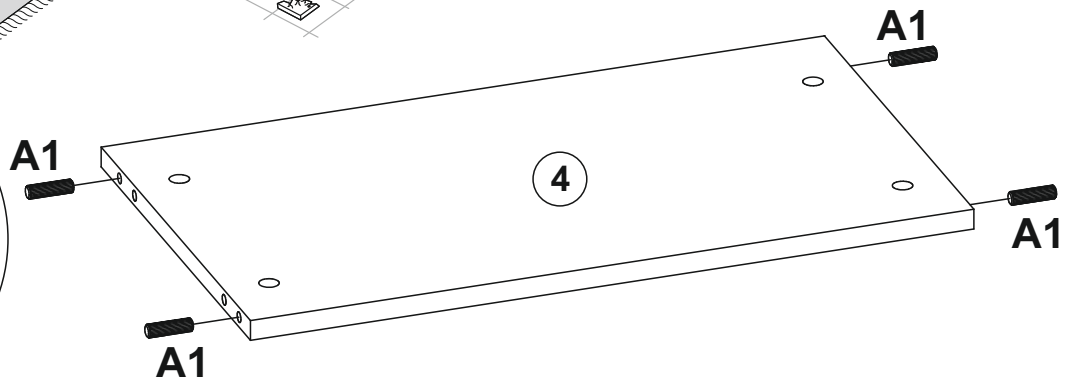
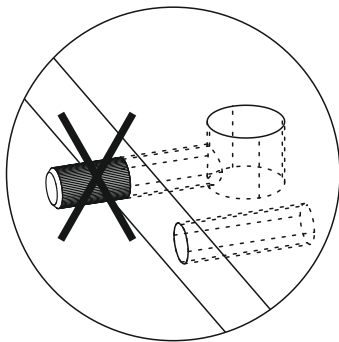
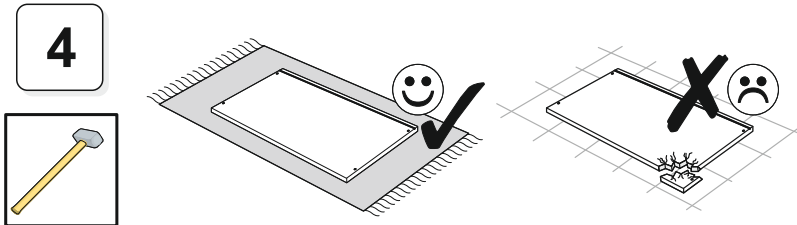
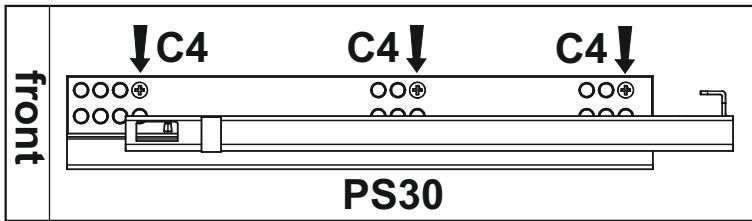
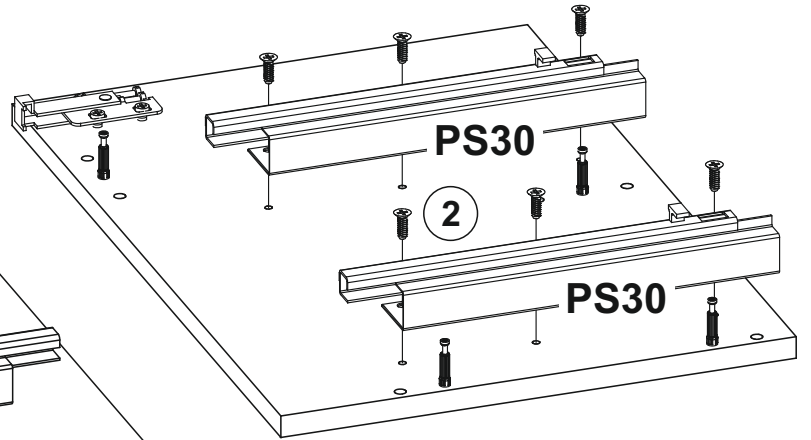
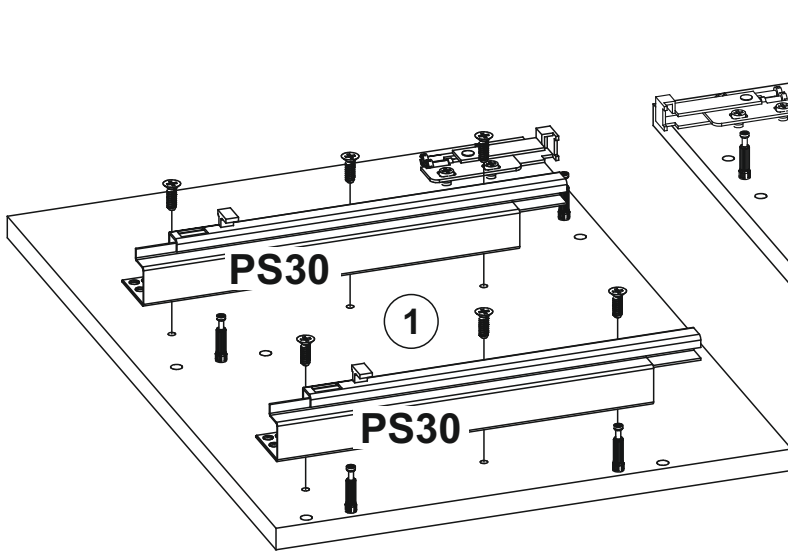
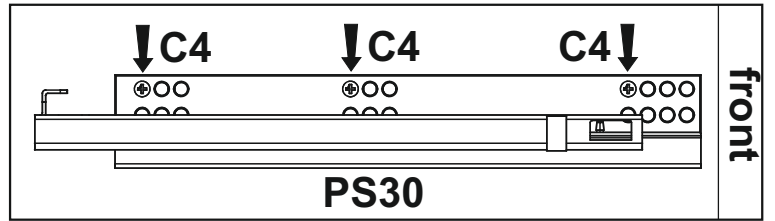
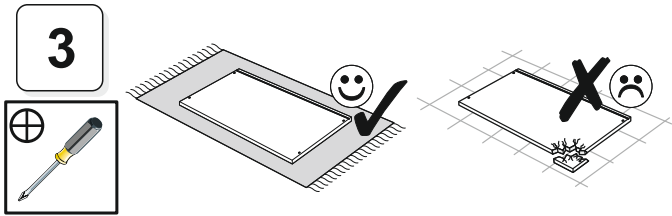




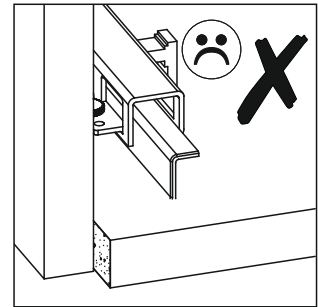
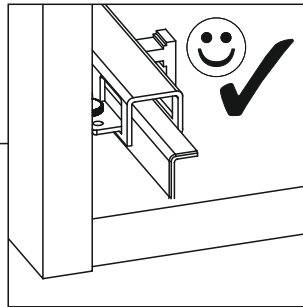
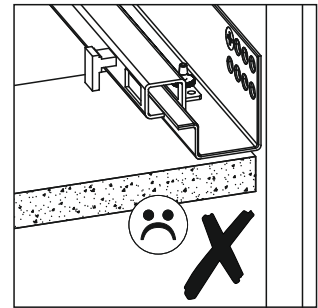
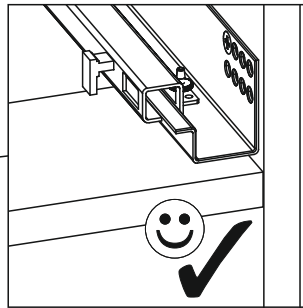
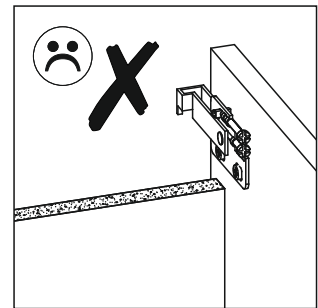
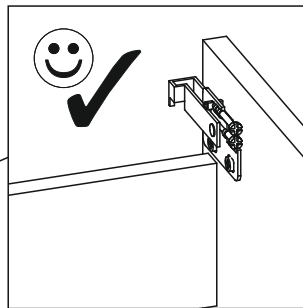
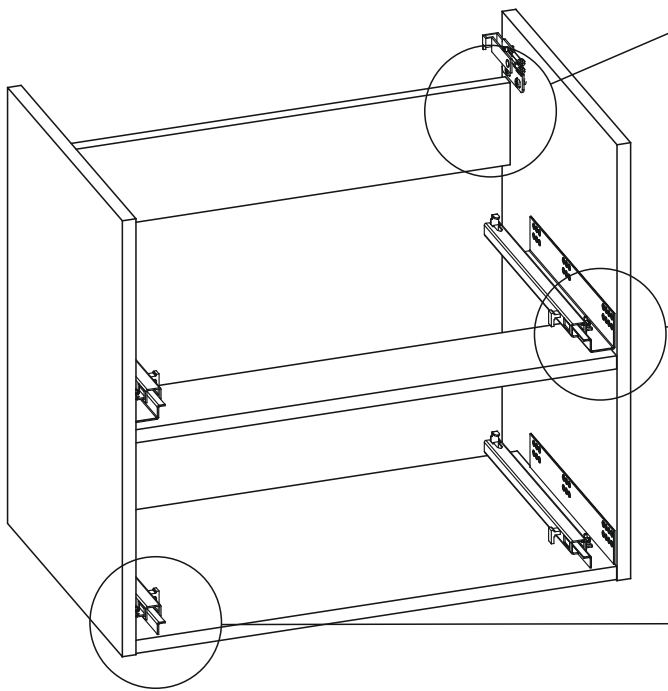
<b>C4</b>  Euro 6,3x13 x 12	<b>PS30</b>  L+P x 2			
<b>M3</b>  x 1	<b>G2</b>  5 x 40 x 10			
<b>E1</b>  x 8	<b>F1</b>  x 8	<b>E0</b>  x 8		
<b>H</b>  x 2	<b>K1</b>  M4x20 x 4			
<b>P11</b>  x 2	<b>ZR2</b>  L+P x 1			
<b>A1</b>  8x30 x 12	<b>D1</b>  x 4	<b>I10</b>  UP 4x23 x 8	<b>R4</b>  x 6	<b>R8</b>  ø8 x 4



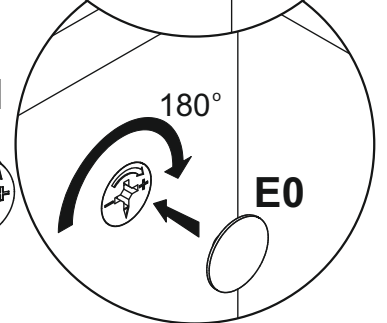
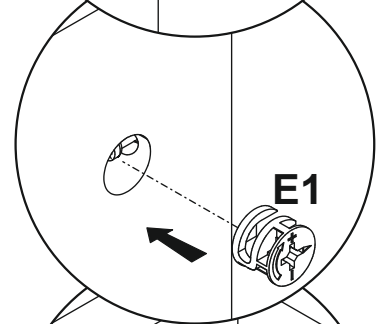
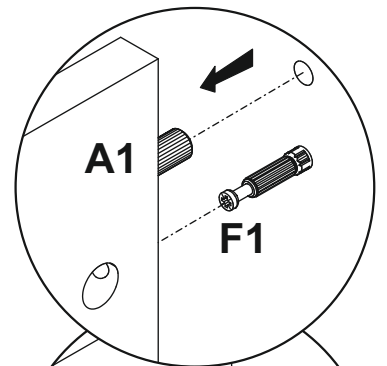
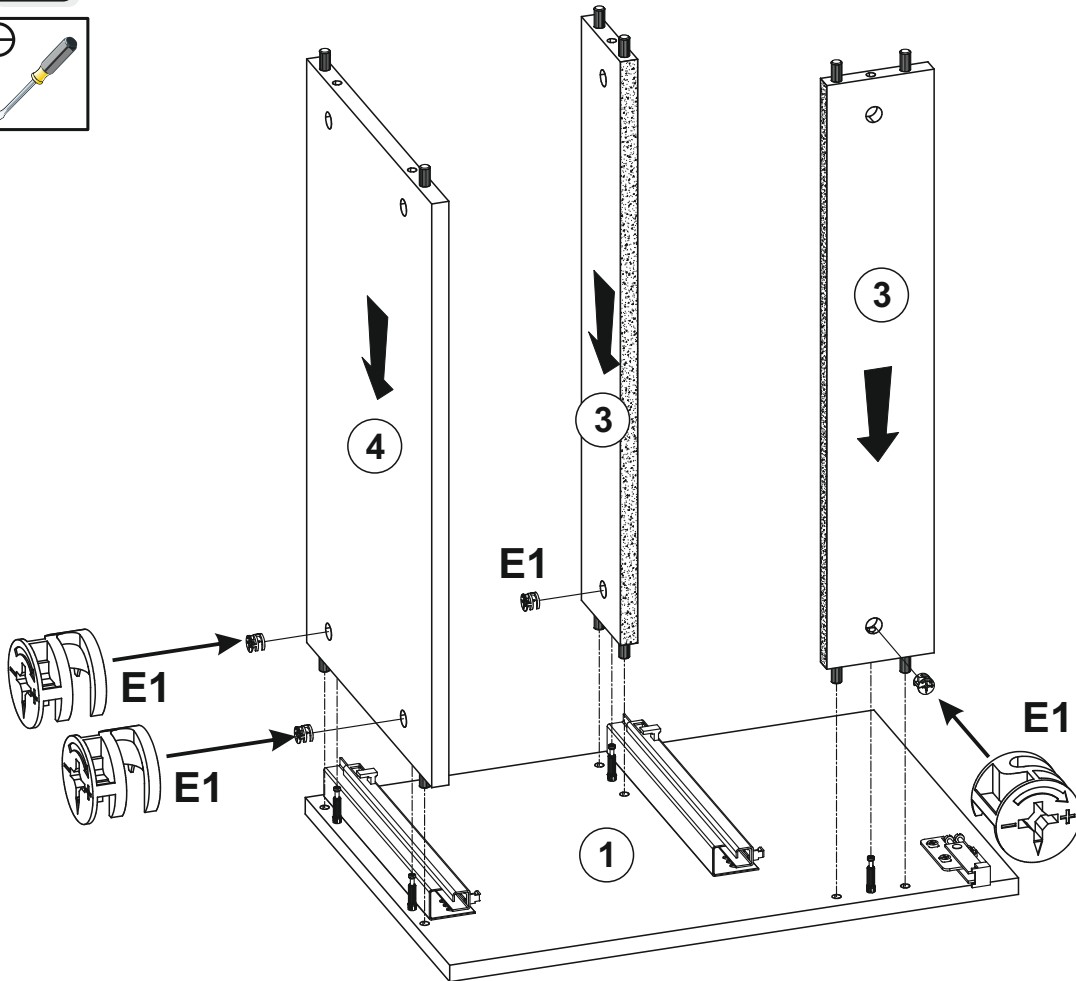




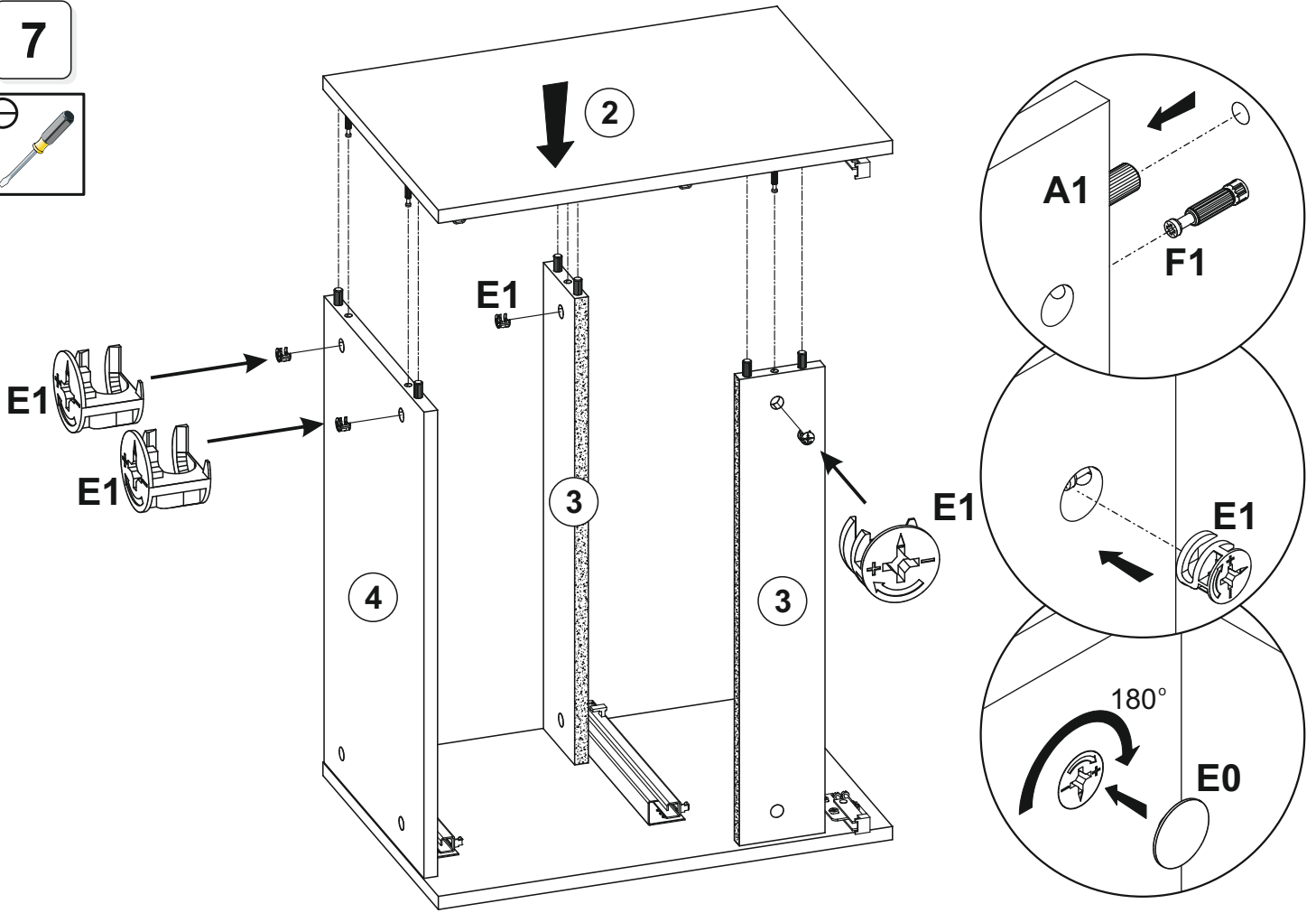
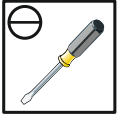
5



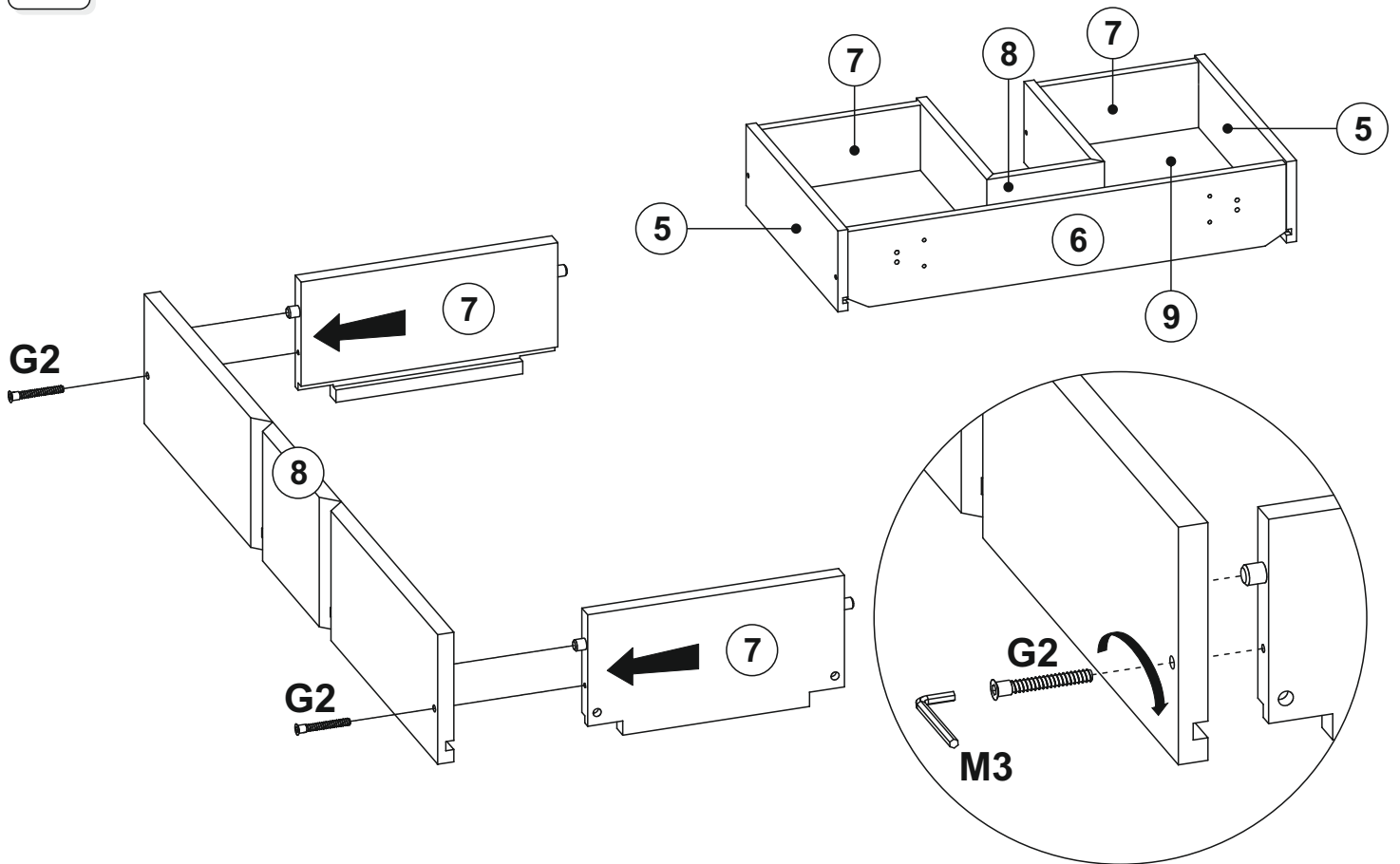
6



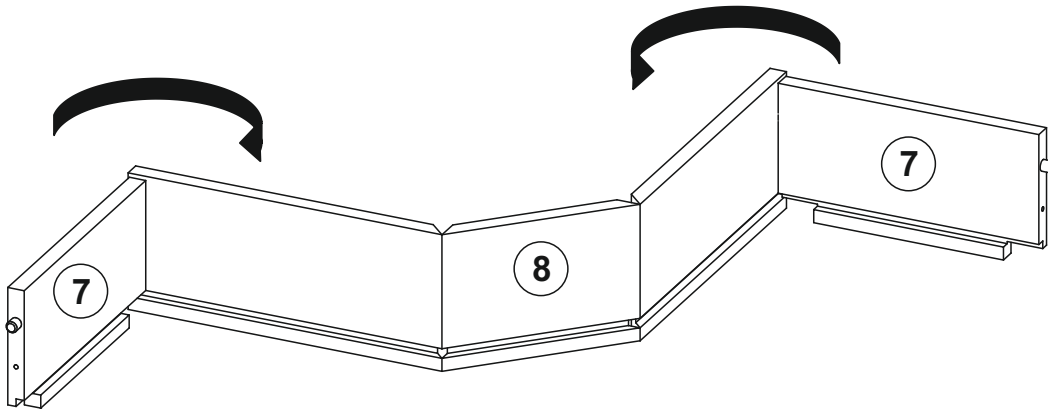
7



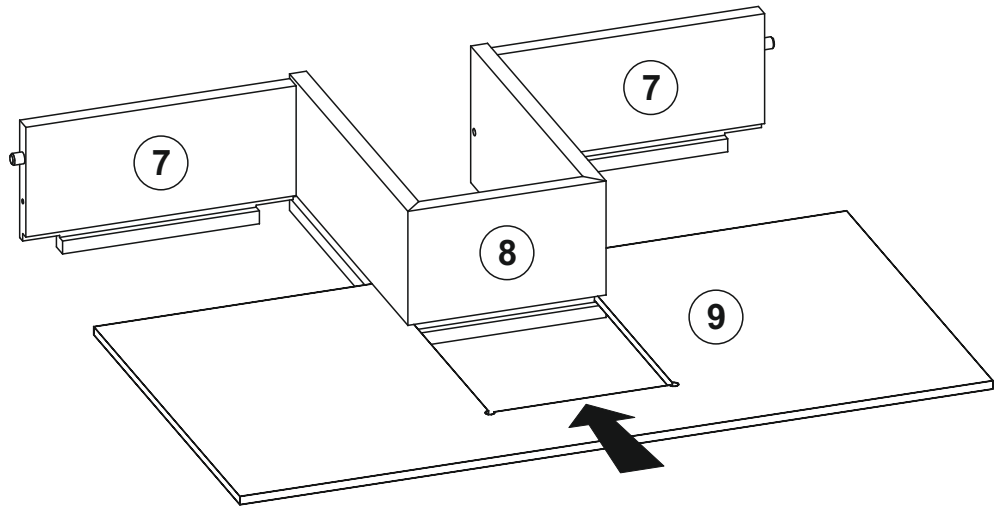
8



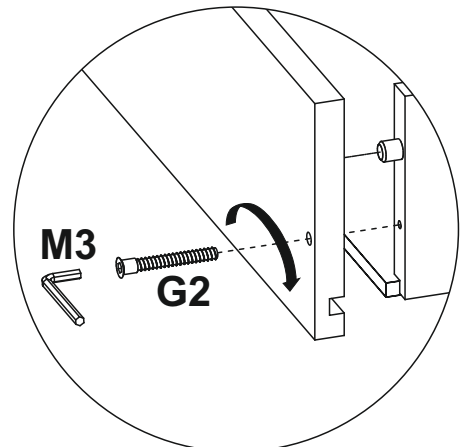
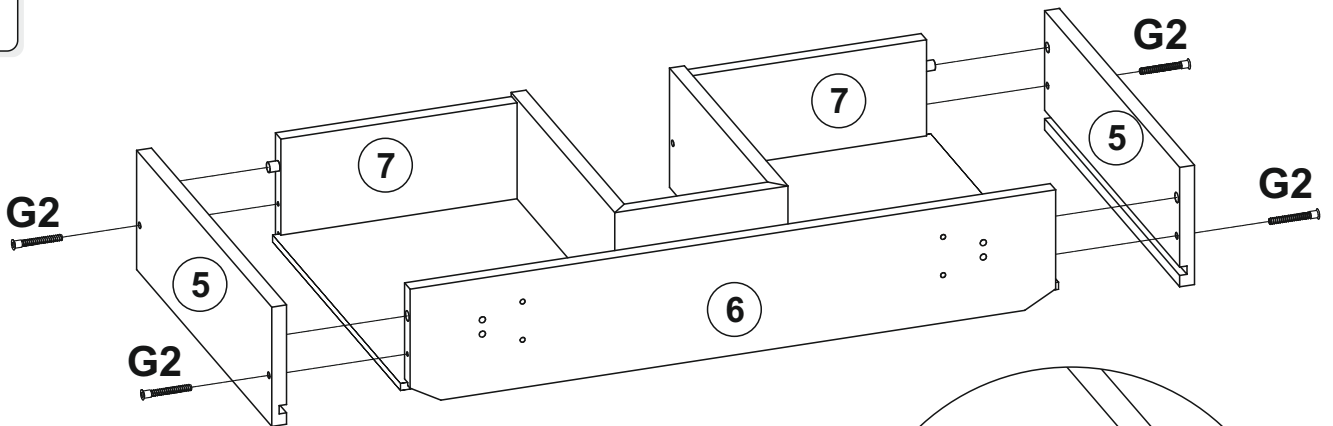
9



10

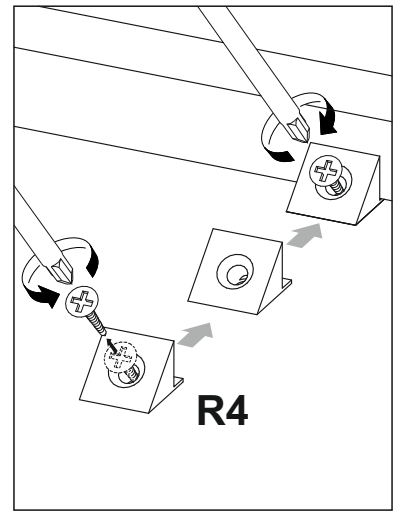
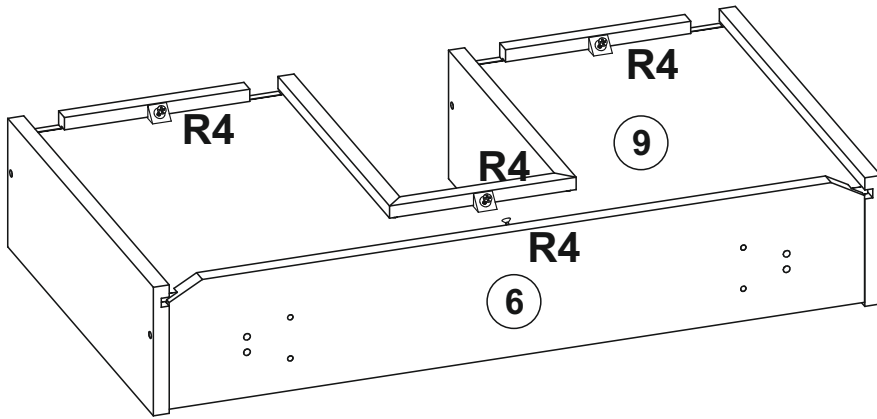
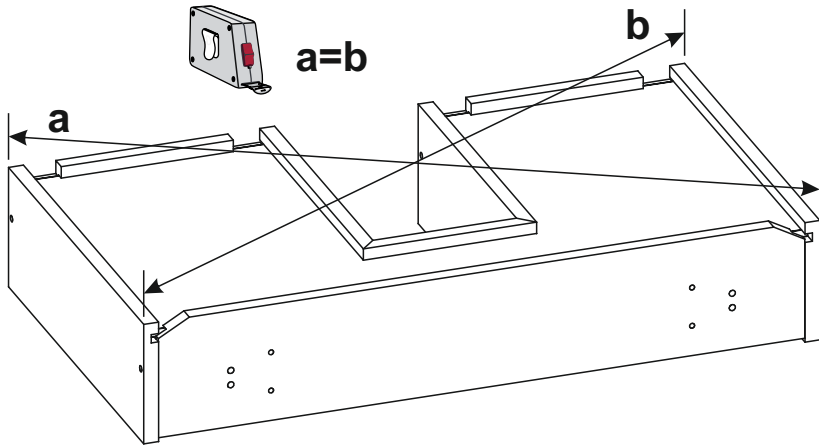


11

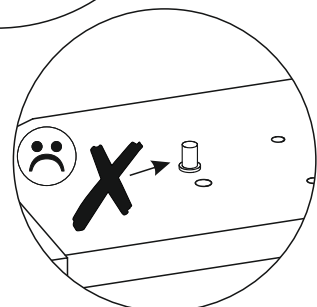
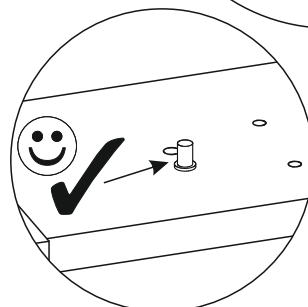
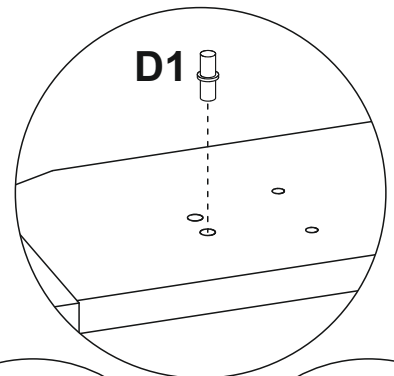
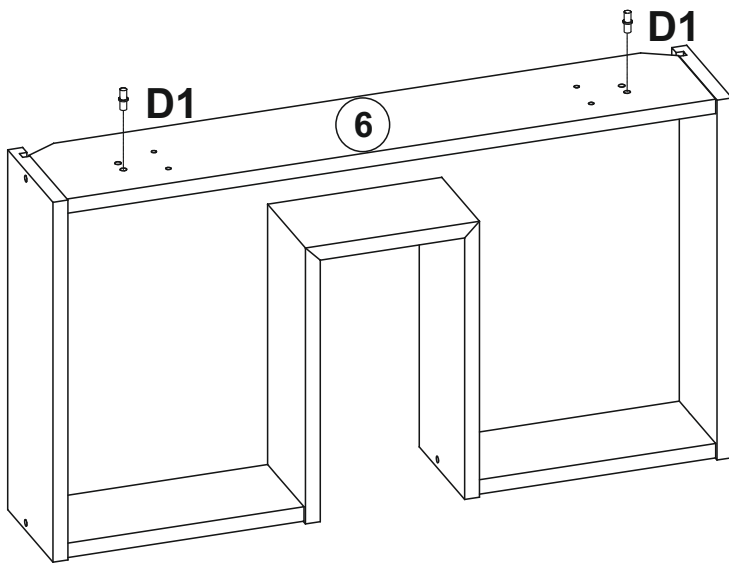




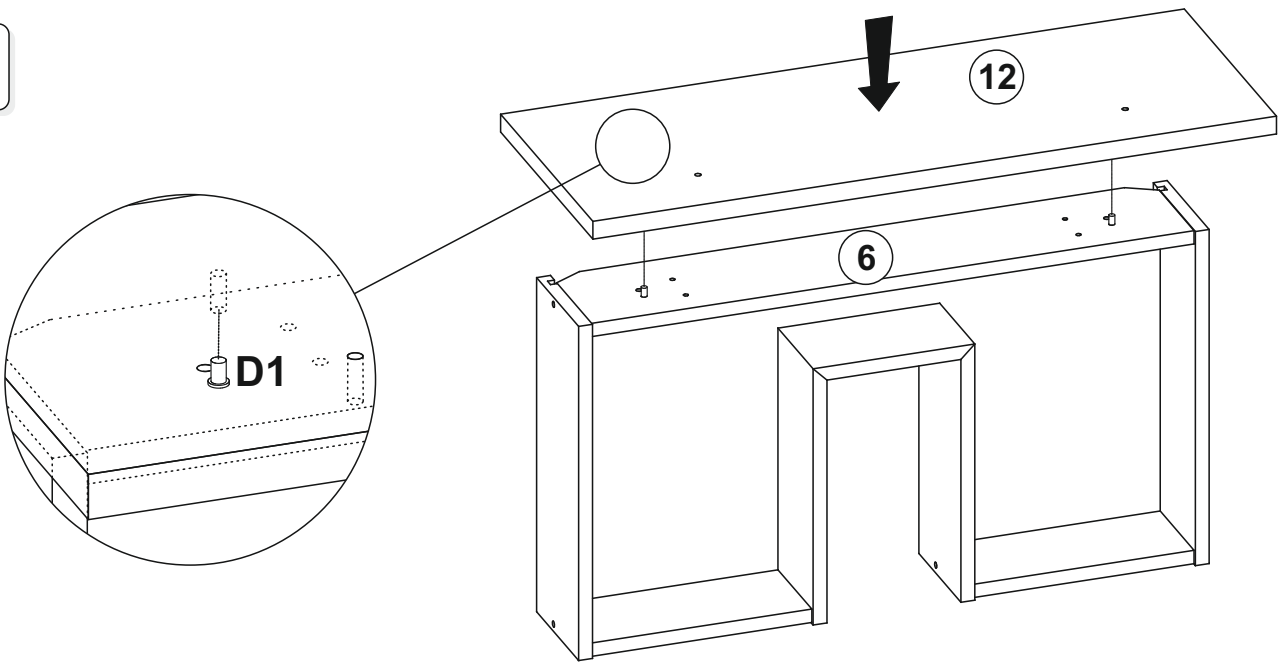
12



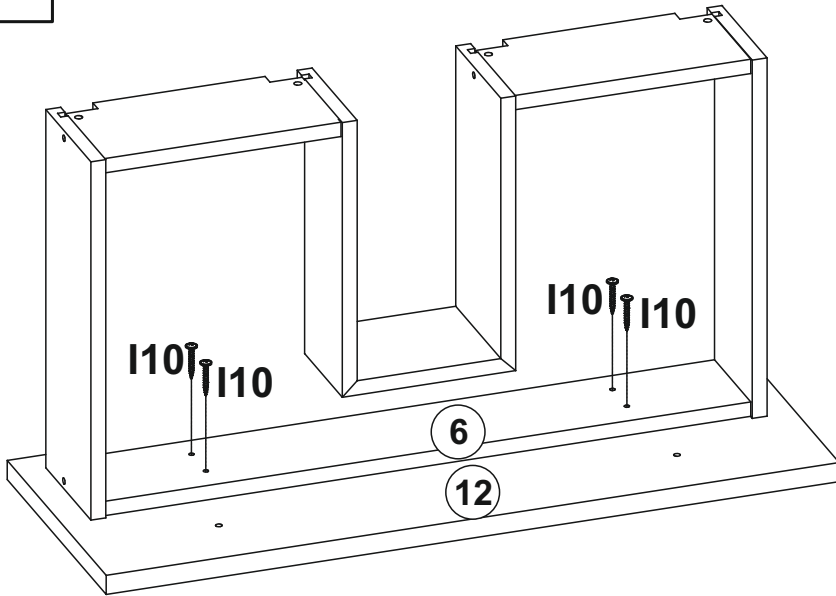
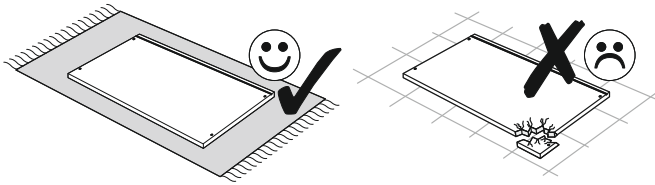
13



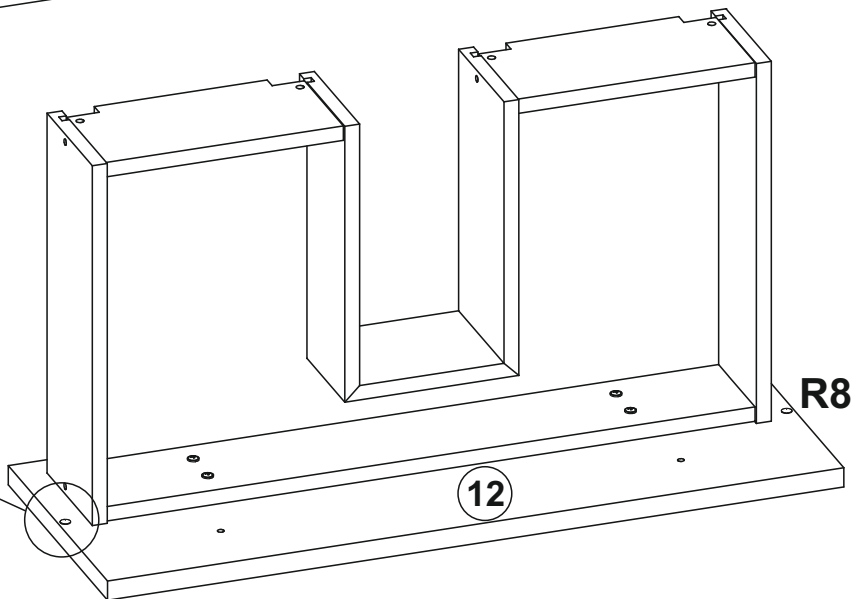
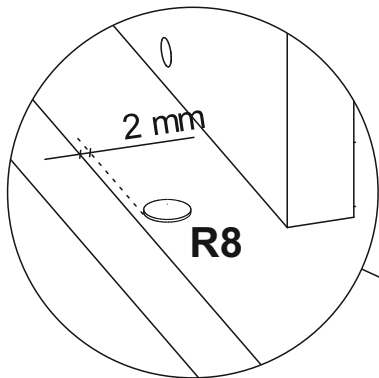
14



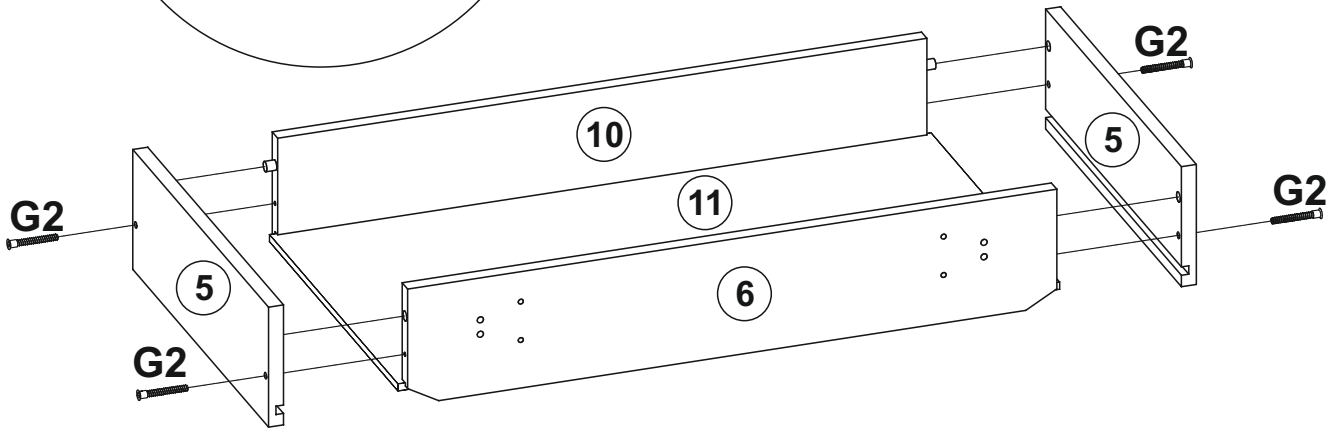
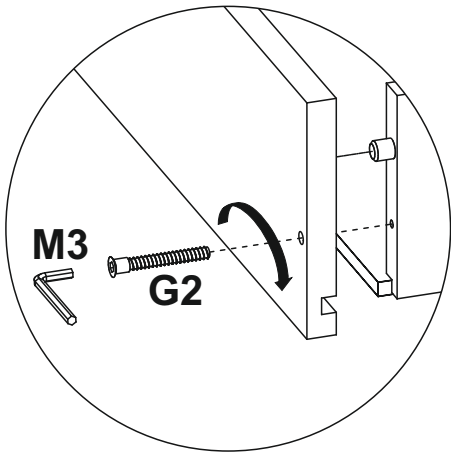
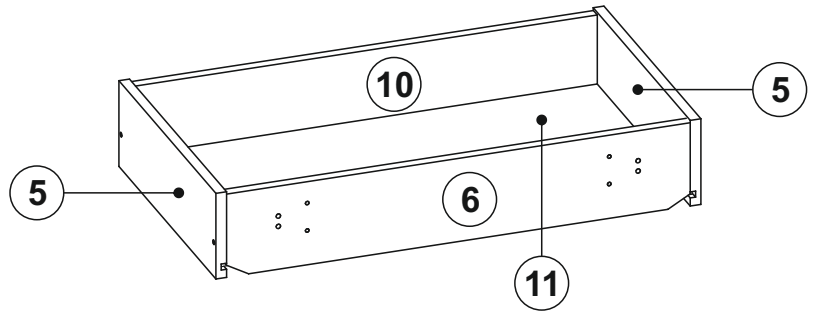
15



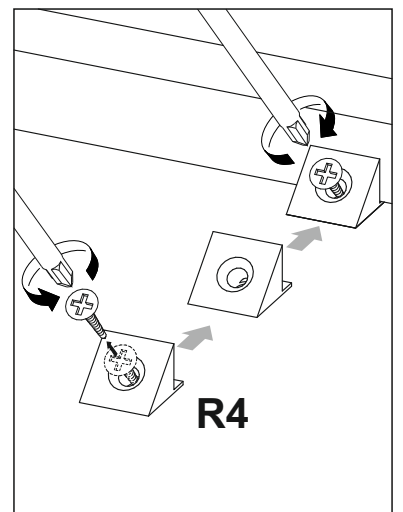
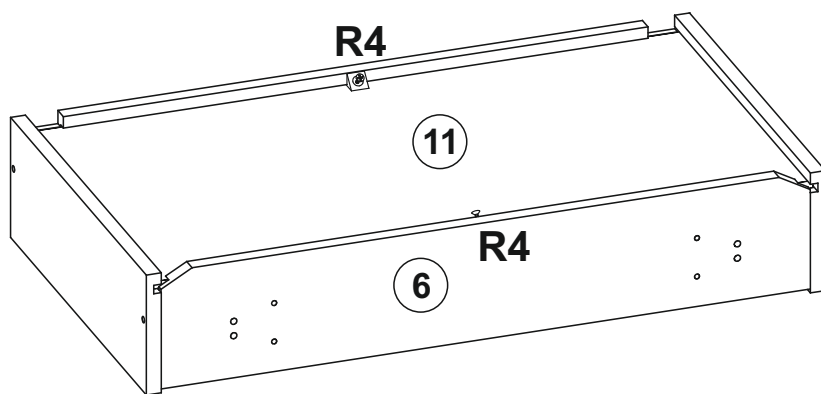
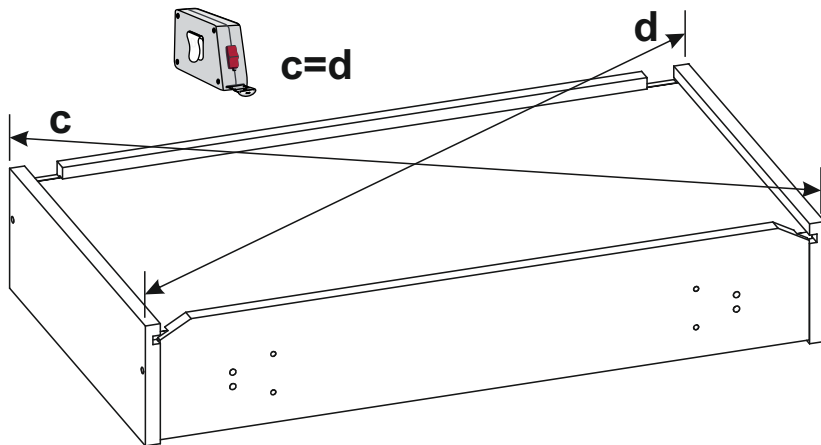
16



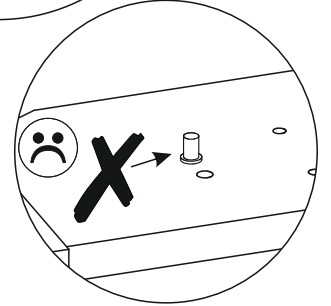
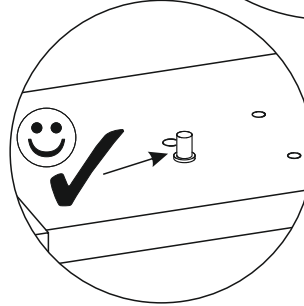
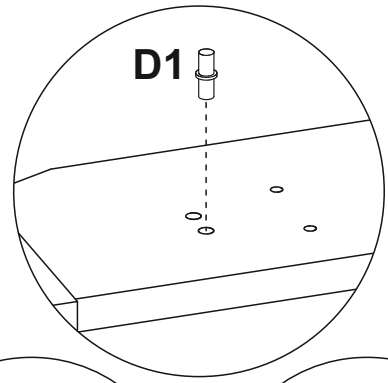
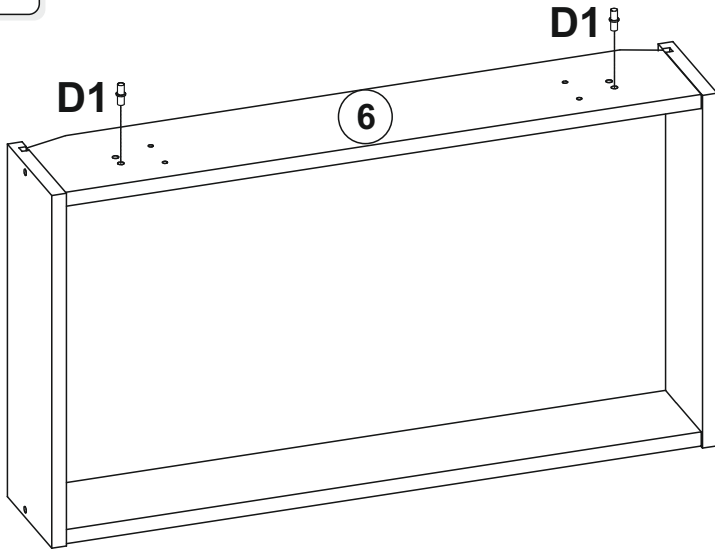
17



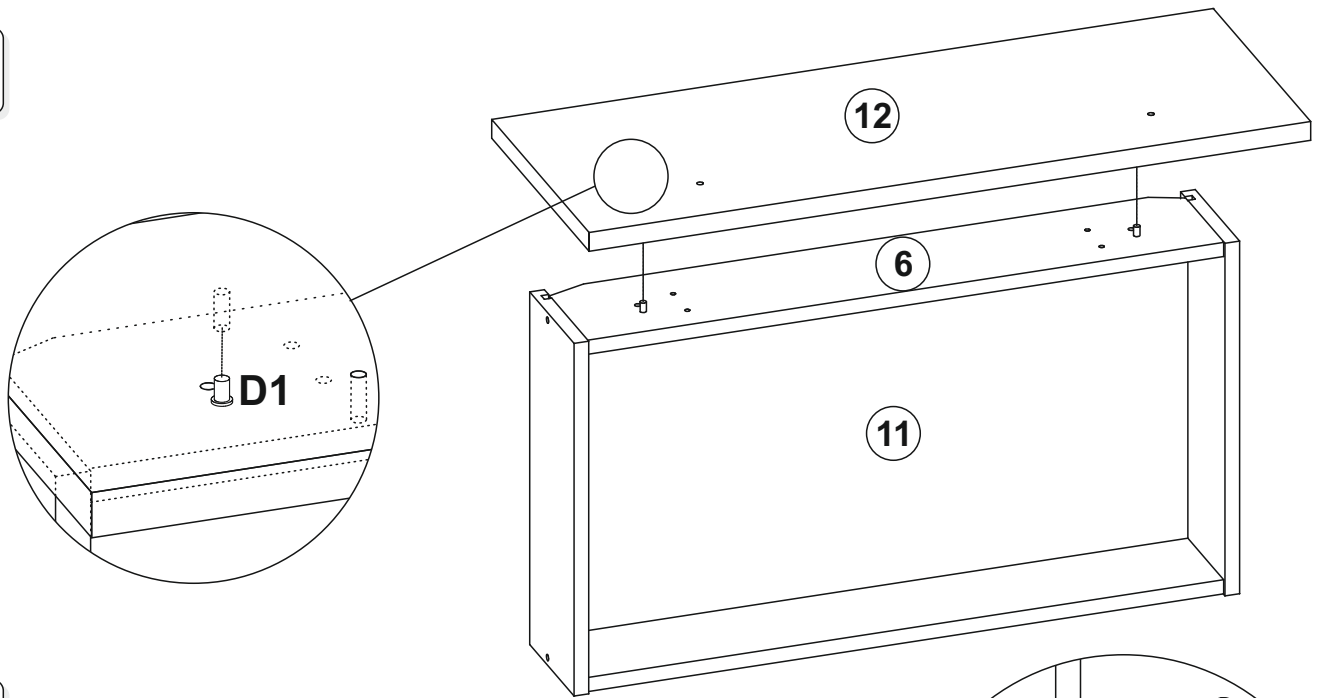
18



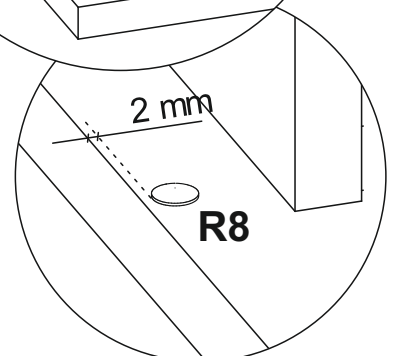
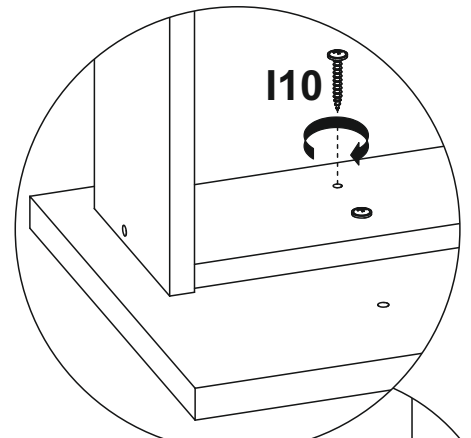
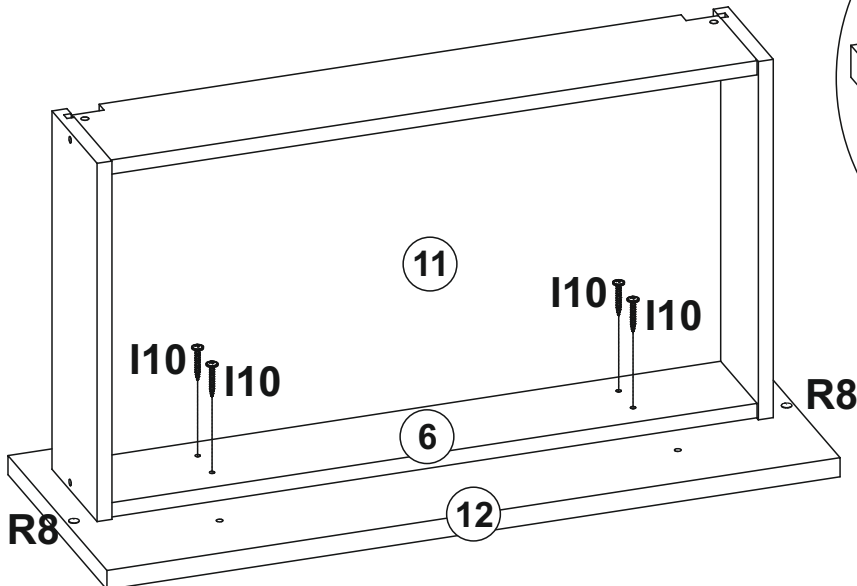
19



20

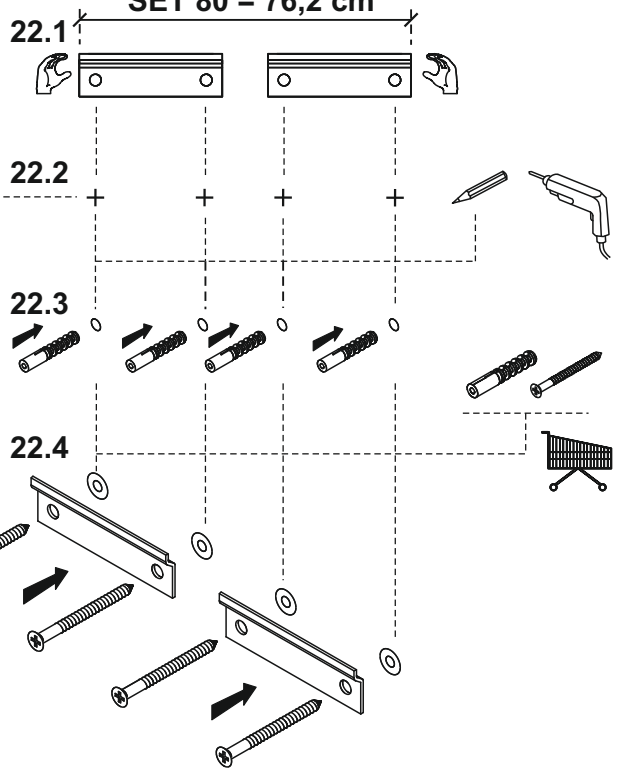
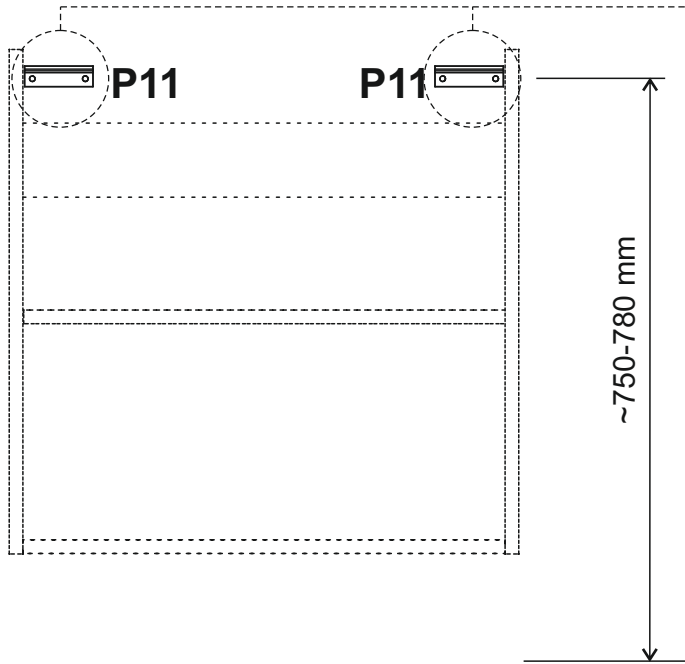


21

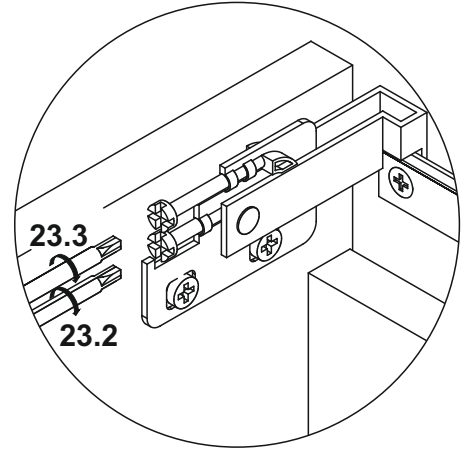
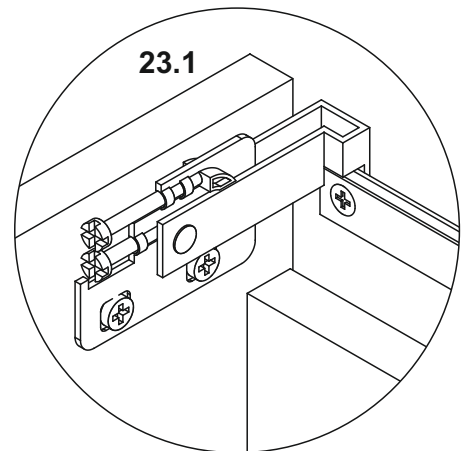
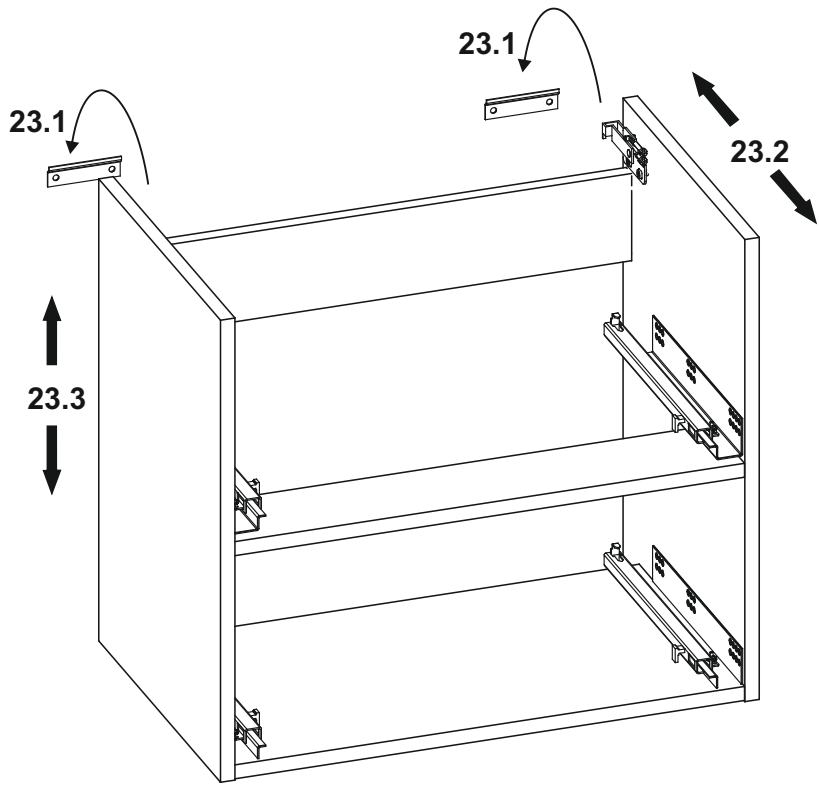


22

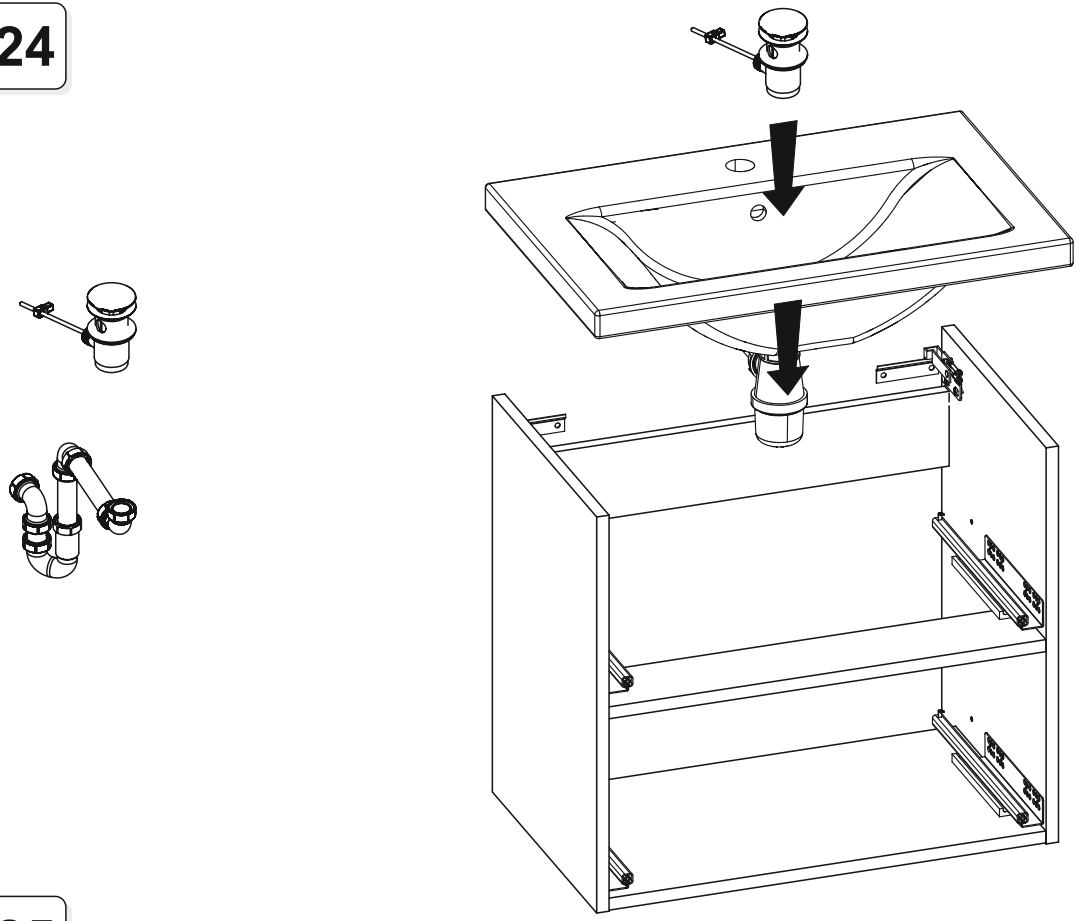
SET 60 = 56,2 cm  
SET 80 = 76,2 cm



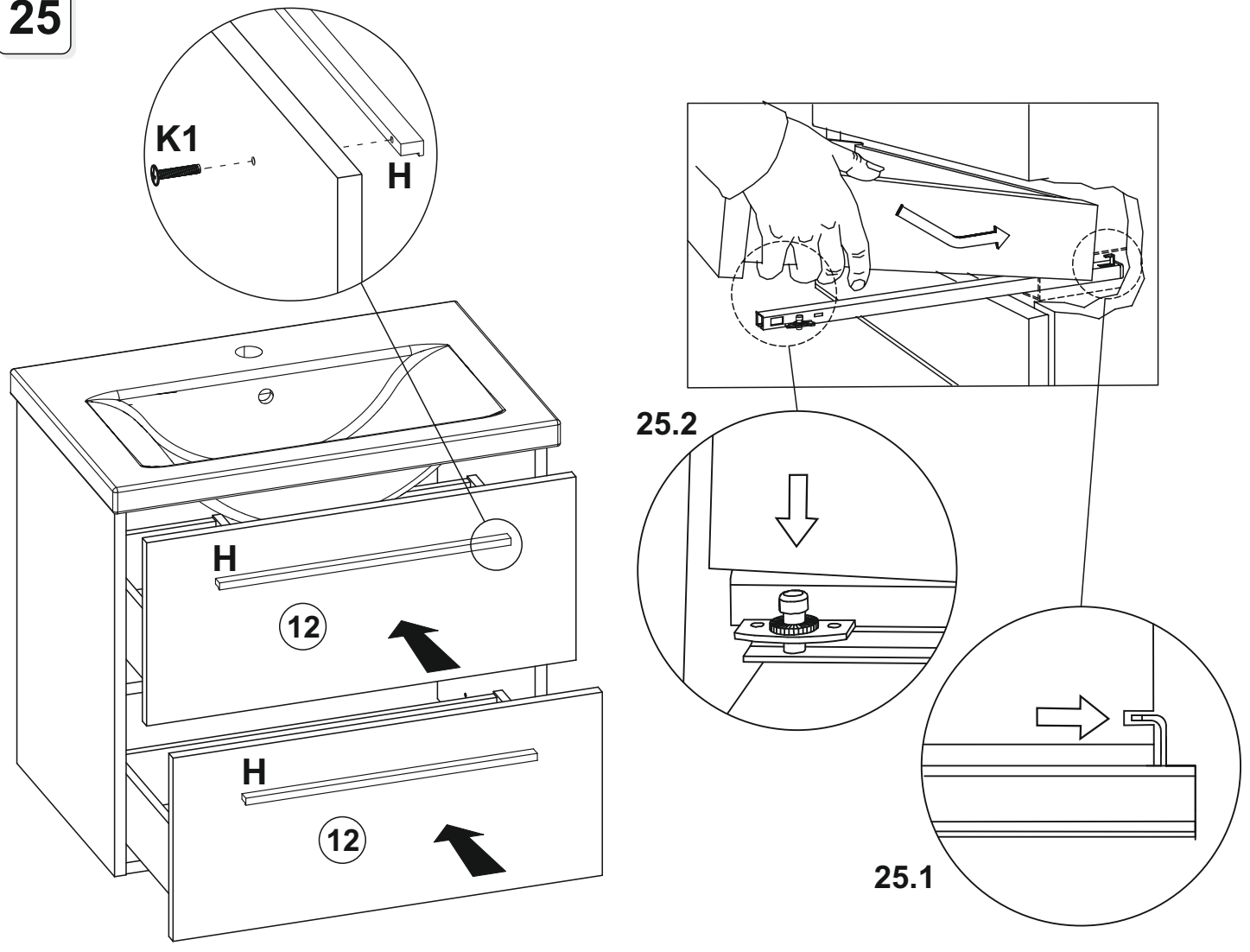
23

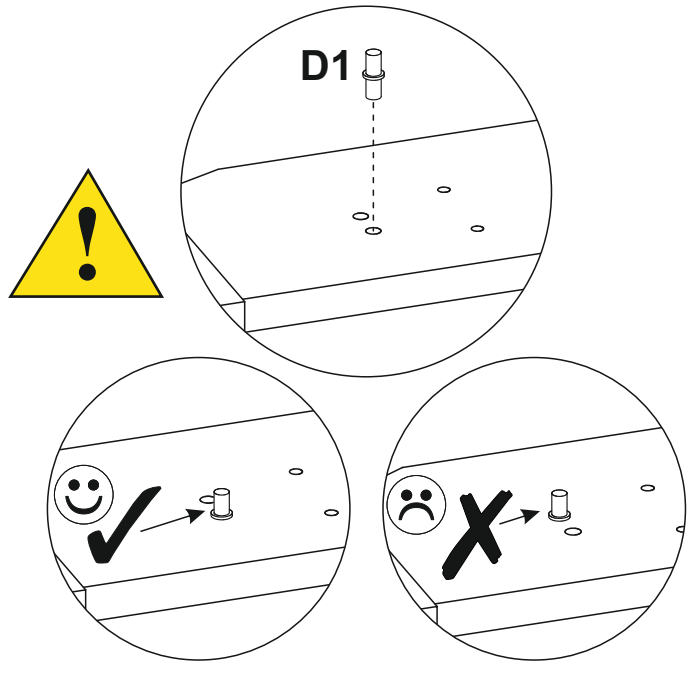
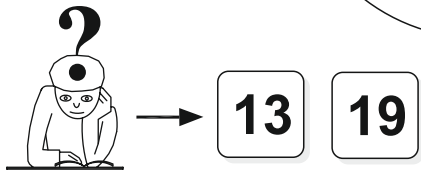
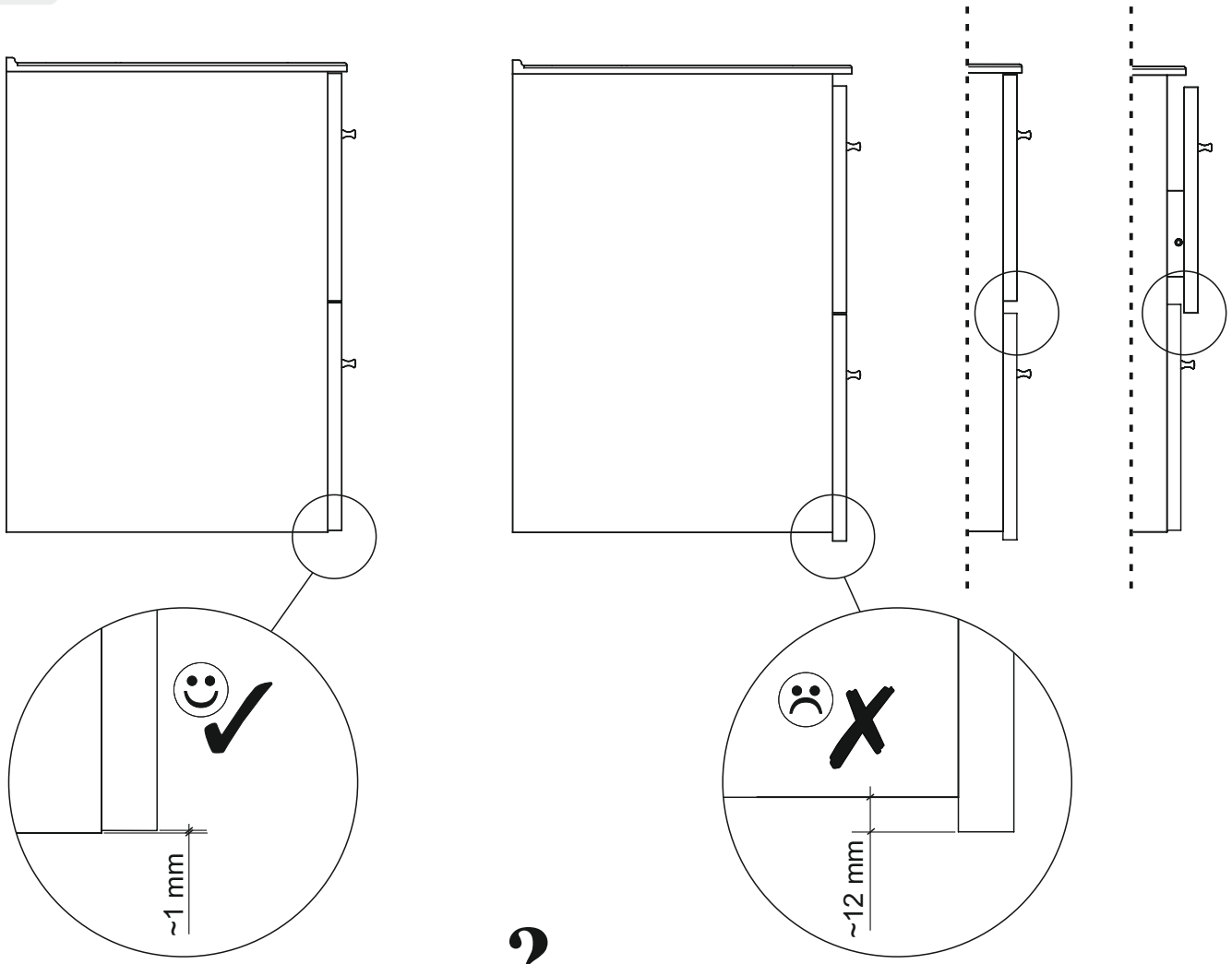


24

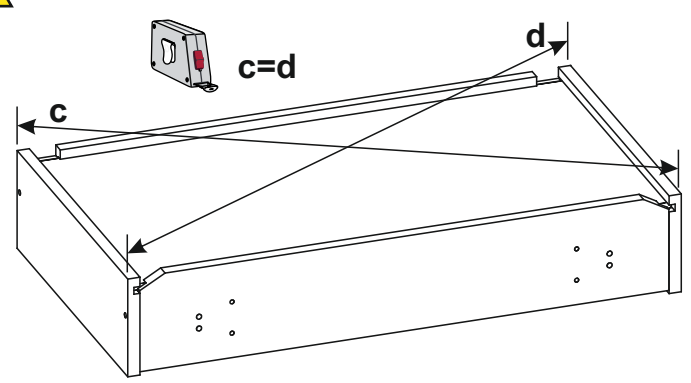
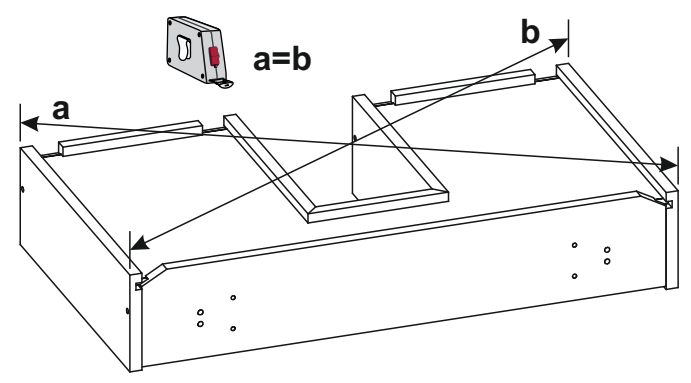
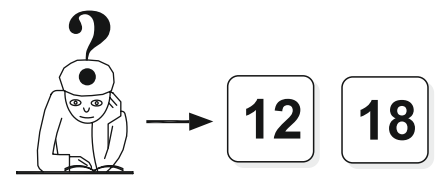
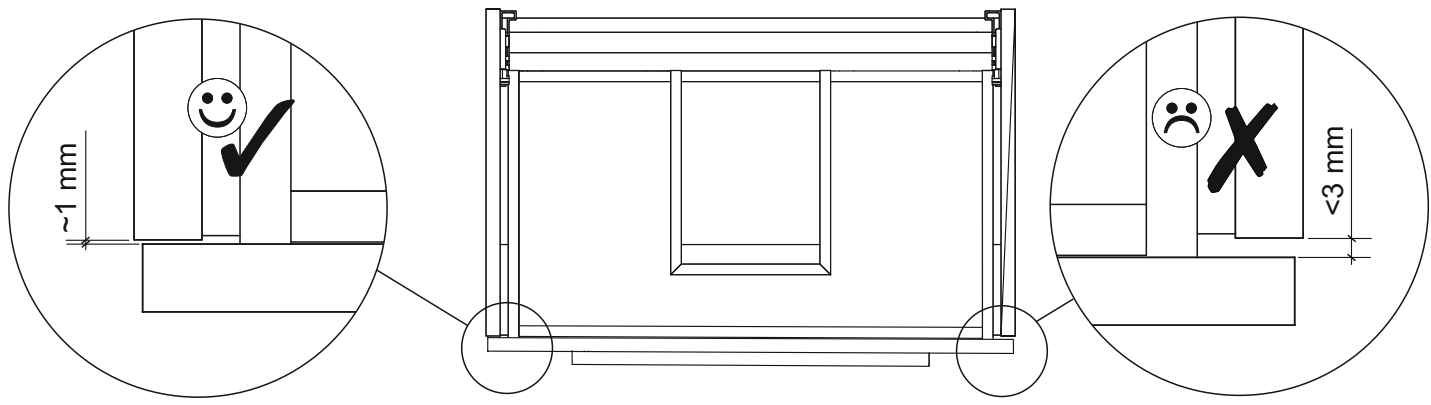
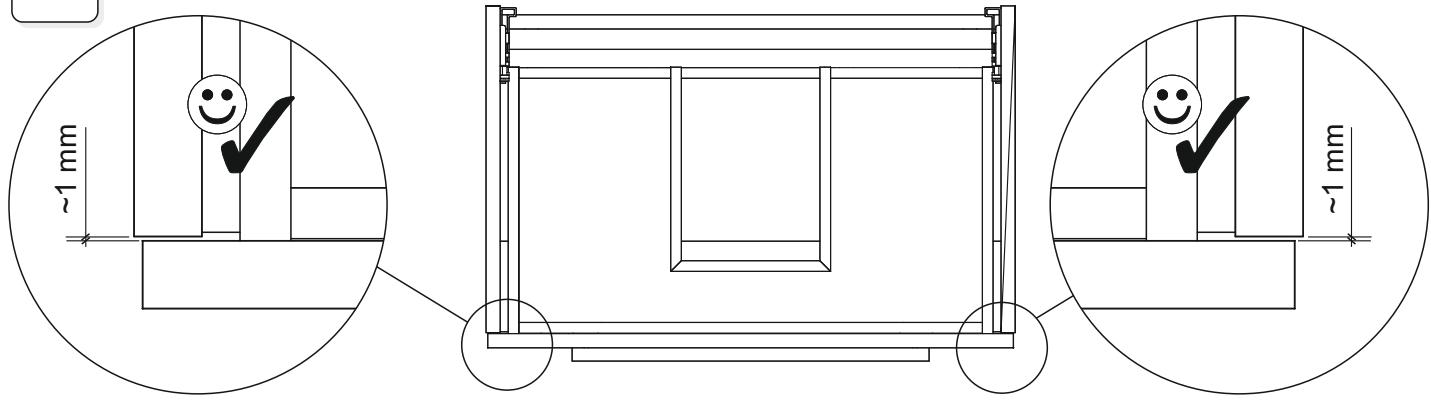


25



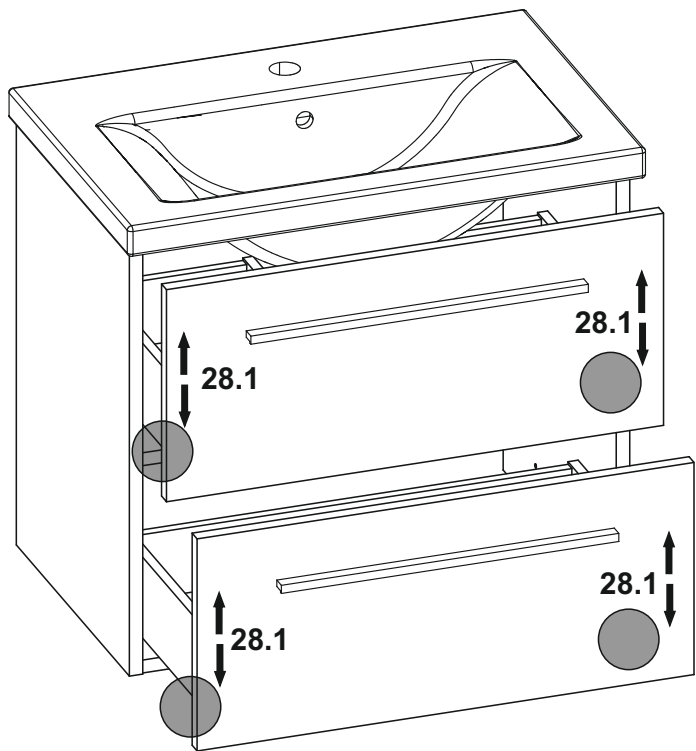


27

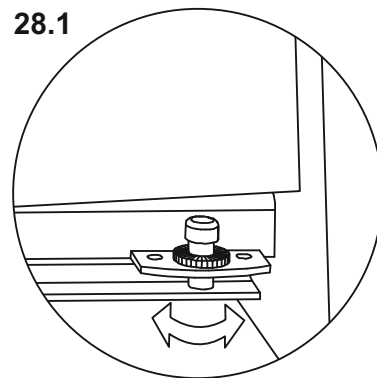




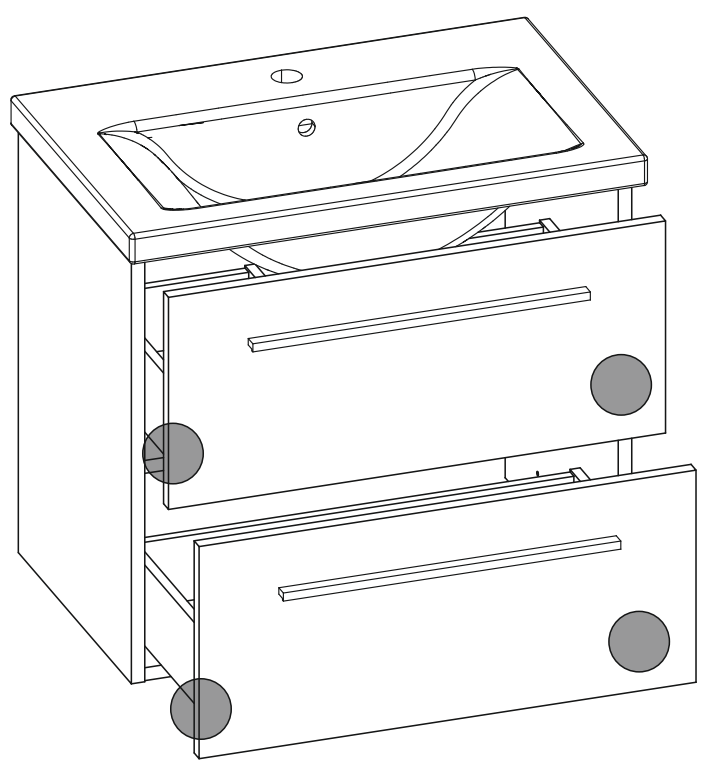
28



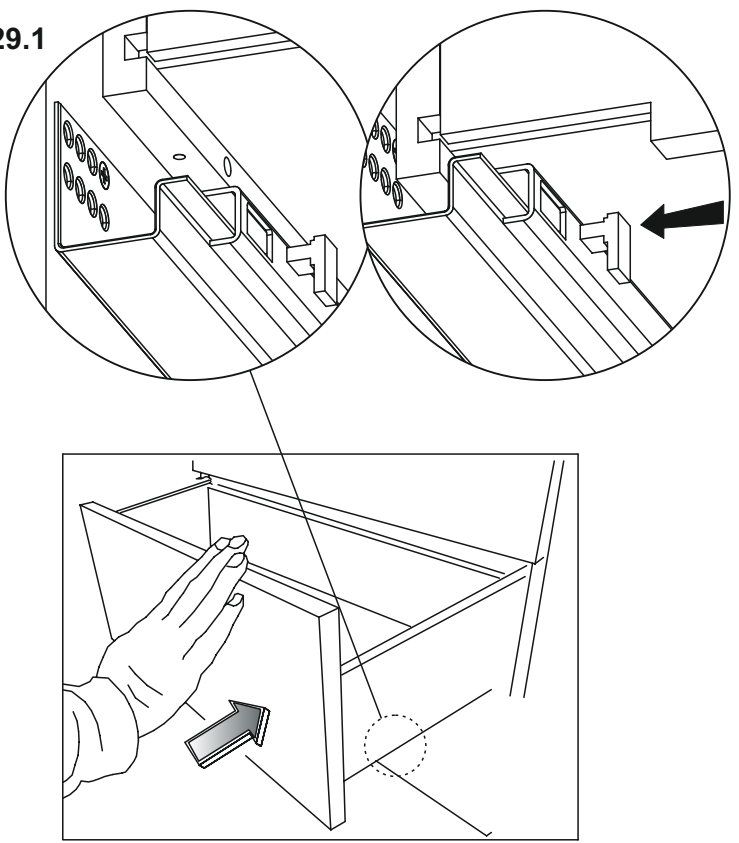
28.1



29



29.1



30

