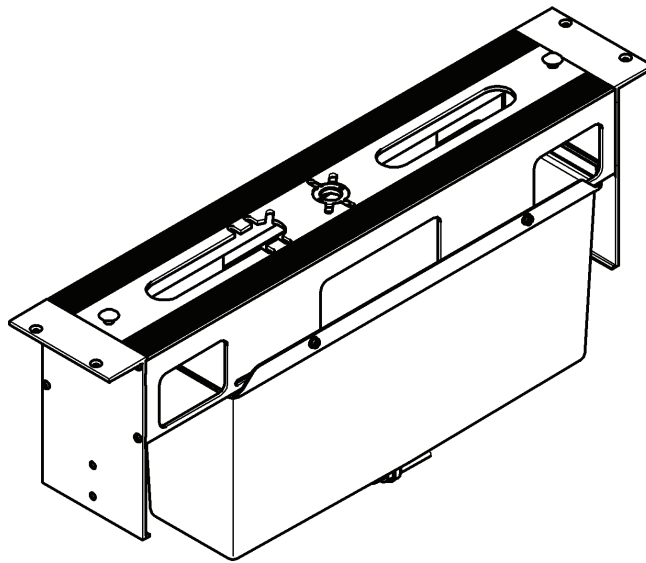


29 037



Ⓛ D1 Ⓛ I3 Ⓛ N5 Ⓛ GR7 Ⓛ TR9 Ⓛ BG11 Ⓛ RO13
Ⓛ GB1 Ⓛ NL3 Ⓛ FIN5 Ⓛ CZ7 Ⓛ SK9 Ⓛ EST11 Ⓛ CN13
Ⓛ F2 Ⓛ S4 Ⓛ PL6 Ⓛ H8 Ⓛ SLO10 Ⓛ LV12 Ⓛ RUS14
Ⓛ E2 Ⓛ DK4 Ⓛ UAE6 Ⓛ P8 Ⓛ HR10 Ⓛ LT12

Design & Quality Engineering GROHE Germany

96.868.031/ÄM 215125/08.09

GROHE
ENJOY WATER®