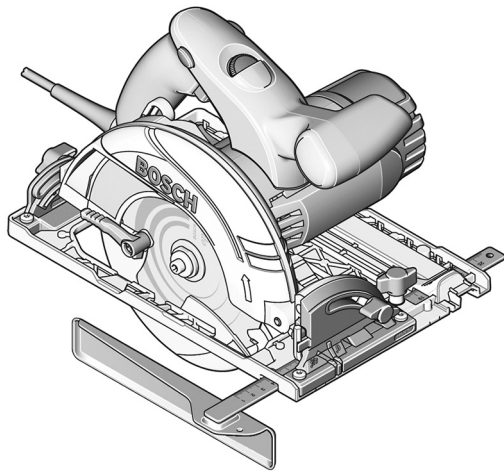


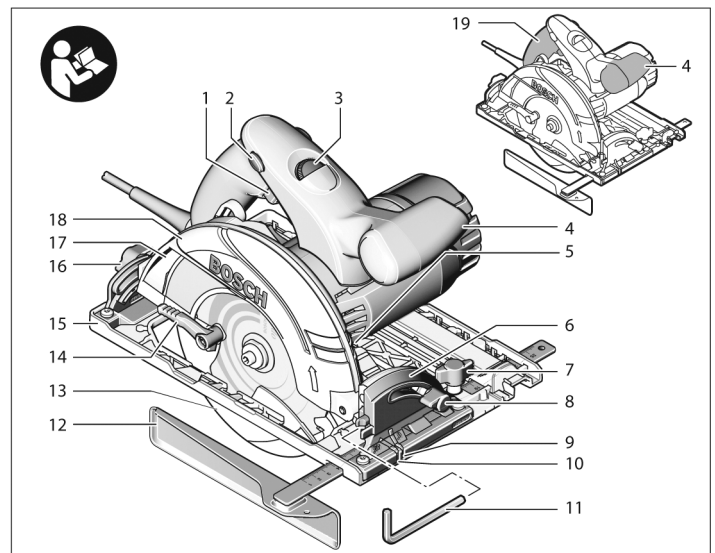
## CIRCULAR SAW

### Use according to destination GKS 55/85:

The electric tool is intended for cutting, shortening and mitre sawing in wood with a fixed support and in a straight line. With suitable saw blades, thin non-ferrous metals can also be sawn, for example for profiles. Iron metal processing is not permitted.



## 1. ILLUSTRATED COMPONENTS



- |   |  |
|---|--|
| 1 On / Off switch                                   | mitre angle  |
| 2 Lock for on / off switch                          | 17 Saw dust extractor                                |
| 3 Adjustment wheel preset speed (GKS 55 GCE)        | 18 Protective cover                                  |
| 4 Extra handle (insulated grip)                     | 19 Handle (insulated grip)                           |
| 5 Spindle lock                                      | 20 Tension screw with ring                           |
| 6 Scale mitre angle                                 | 21 Clamping flange                                   |
| 7 Wing screw for parallel guide                     | 22 Circular saw blade *                              |
| 8 Wing screw for pre-adjustable mitre Default angle | 23 Mounting flange                                   |
| 9 Saw mark 0°                                       | 24 Saw spindle                                       |
| 10 Saw marking 45°                                  | 25 Extraction Adapter *                              |
| 11 Allen key  | 26 Adjustment lever for pre-adjustable cutting depth |
| 12 Parallel conductor*                              | 27 Saw depth scale                                   |
| 13 Movable guard                                    | 28 A pair of clamps*                                 |
| 14 Adjustment lever for movable cover               | 29 Guide rail *                                      |
| 15 Footplate  | 30 Connector *                                       |
| 16 Wing screw for pre-adjustable                    | 31 Extraction hose *                                 |

## SAFETY INSTRUCTIONS



- Firmly secure the work piece.
- Remove any obstacles before switching on the machine.
- Be careful with long hair and loose clothing.
- Do not use any accessories or auxiliary tools that do not belong to the machine.
- Keep children and pets out of reach of the machine.
- Persons under 18 years of age may not work with the machine.
- Use outdoors; Check if the machine is connected via an earth leakage breaker (Max. 30mA).

### Check before use

- Mounting saw, saw blade, protective cover and base plate.
- Work area for nails, screws, etc. Remove these if present.
- Machine visually for defects.
- Check plug and electric cord for any damage.

**Contact the rental company should you encounter any problems with the machine!**

### Safety during use

- Never lift the machine using the power cord.
  - Make sure the topside and bottom of the saw cut are free.
  - Switch off machine immediately if the saw blade jams.
  - Do not force the saw blade.
  - Always use sharp saw blades.
  - Do not remove sawdust or wood chips while the machine is rotating.
  - Handle the plug and power cord with care.
  - Lead the power cord from the rear of the machine.
  - Using an extension cable. Avoid power loss, use at minimum a 2.5 mm thick cable and keep the cable as short as possible.
- Unroll the cable all the way.

### Safety after operating

- After use, remove plug from the mains.

## 2. INSTALLATION

### Select saw blade

An overview of recommended saw blades is given at the end of this manual.

### Disassemble saw blade (see figure A)

Lay the the power tool down preferable on the side of the motor housing.

- Press the spindle lock button **5** and hold it down.
- Turn with the Allen wrench **11** the tension ring **20** in direction of rotation [1] outwards.
- Turn the movable cover **13** back and hold it.
- Take the clamping flange **21** and the saw blade **22** of the saw spindle **24**.

### Assembling the saw blade (see figure A)

Lay the machine down, preferably on the side of the motor housing.

- Clean the saw blade **22** and all mounting brackets.
- Push the movable cover **13** back and hold it.
- Place the saw blade **22** on the mounting flange **23**. The direction of the saw teeth (arrow direction on the saw blade) and directional arrow on the protective cover **18** must match.
- Place the clamping flange **21** and tighten the tension screw **20** in direction of rotation [2]. Take note of the correct installation position of the mounting flange **23** and clamping flange **21**.
- Press the spindle lock button **5** and hold it down.
- Turn with the Allen wrench **11** the tension screw **20** in direction of rotation [2]. The torque must be 6-9 Nm, which corresponds to hand tight plus a 1/4 turn.

### Mounting the extraction adapter (see figure B)

Insert the extraction adapter **25** on saw dust extractor **17** until it snaps into place. A vacuum hose with a diameter of 35 mm can be connected to the extraction adapter **25**.

- **The vacuum adapter must not be mounted without connecting the external extractor.** The extraction tube may become blocked.
- **Do not connect a dust bag to the extraction adapter.** The extraction

system may otherwise become blocked.  
Clean the extraction adapter **25** regularly to ensure optimal extraction.

### 3. OPERATING

**Set the cutting depth (see figure C)**

- **Adjust the cutting depth in accordance with the thickness of the work piece.**  
Less than the height of the saw tooth should be visible under the cut work piece.

Loosen clamp lever **26**. Set the desired cut on the saw depth scale. Tighten the tension lever **26** again.

**Set default mitre angle**

Lay down the power tool preferably on the side of the protective cover **18**. Turn the wing screws **8** and **16** loose. Move the saw side ways. Set the desired cut on scale 6. Tighten the wing screws **8** and **16** again.

**Switching on and off**

If you want to **switch on** the power tool you must **first** press the lock **2** then press the on / off switch **1** and keep it pressed.

If you want the power tool to **switch off** release the on / off switch **1**.

**Note:** For safety reasons, the on/off switch **1** can not be locked, but must remain pushed in during use.

### 4. TIPS BEFORE OPERATING

**Saw with parallel conductor (see illustration D)**

With the parallel conductor **12** you can saw the work piece accurately and cut the same size strips repeatedly.

Turn the wing screw **7** loose and slide the scale of the parallel conductor **12** through the guide in the footplate **15**.

Set the desired saw width as the scale distribution value for the relevant saw mark **9** or **10** in, see the section "Saw markers". Tighten the wing screw **7** again.

### 5. MAINTENANCE AND CLEANING

- Before starting work with the power tool always remove the plug from the mains.
- **Always keep the power tool and the ventilation openings clean to work efficiently and safe.**

The movable guard must always be able to move freely and close automatically. Therefore, always keep the surrounding area around the movable cover clean. Remove dust and wood chips with compressed air or use a brush.

**Contact the rental company should you encounter problems with the device!**

**The product must be returned clean and undamaged.**

