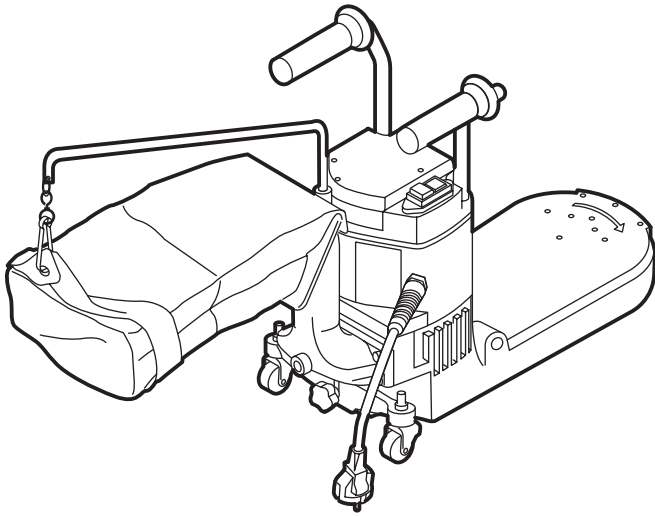


EDGE SANDER

Instructions for Use and Safety

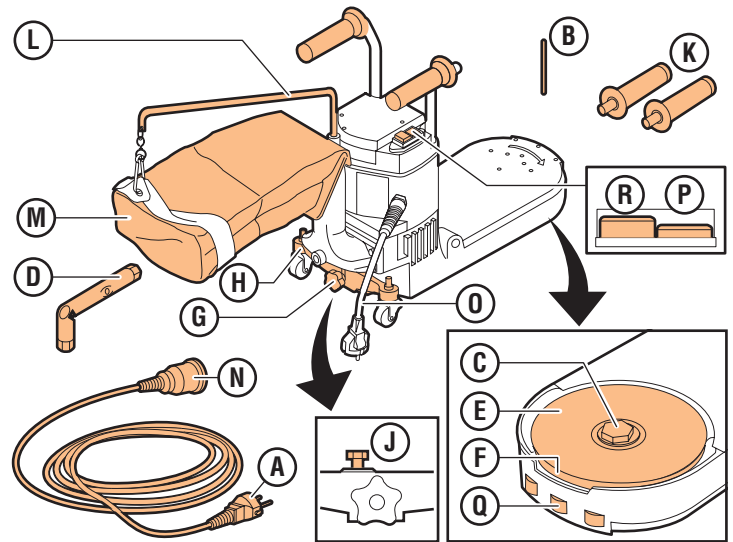
The edge sander is intended for sanding of small surfaces and for sanding in areas that are poorly accessible for the parquet sander.



Caution!

Improper handling can injure the user or damage the device. Read the safety instructions first!

1. OPERATING FUNCTIONS



A Plug / power cord
B Lock pin
C Mounting bolt and wash ring
D Wrench
E Sanding disc
F Sanding sole
G Securing knob
H Wheel set
J Connection bolt

K Handles
L Suspension bracket dust bag
M Dust bag
N Female plug
O Machine plug
P Green ON button
Q Guide rollers
R Red OFF button

SAFETY INSTRUCTIONS



Safety for user

- Wear safety goggles, dust masks, work gloves and protective work clothes.
- Be careful with long hair and loose clothing.
- Always use earthed electrical outlets.
- Keep out of reach of children and pets.

Check before use

- Machine may not be switched ON, press 1x red button.
- Place sanding disc and dust bag.
- Work floor for nails, screws, etc. Remove these if present.
- Machine visually for defects.
- Damage of plug and power cord.

Contact your rental company should you encounter any problems with the machine!

Safety during use

- **Never** pull the power cable to move machine.
- Ensure the area is well ventilated.
- Always use a dust bag during sanding.
- Replace dust bag before it is filled to 1/3 to ensure optimal dust extraction.
- Do not load the machine with weights to increase work pressure.
- **Never** use the machine without or with a spend sanding disc.
- Only use machine for dry sanding.
- Lead the power cord from the rear of the machine.
- Using an extension cable. Avoid power loss, use at minimum a 2.5 mm thick cable and keep the cable as short as possible. Unroll the cable all the way out.

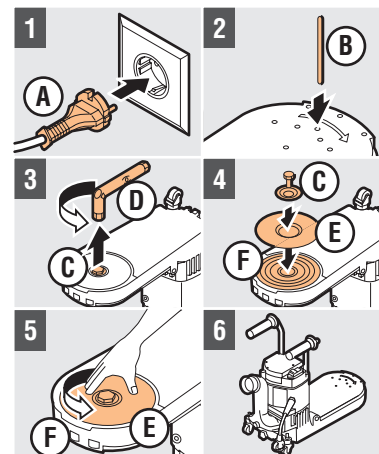
Safety after operating

- After use remove the electric plug from the mains.
- Store the dust bag in a cool room until it is disposed.

2. PREPARATION FOR USE

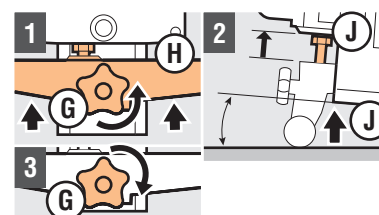
Choice of sanding disc

Consult with the rental company for the correct choice of sanding disc



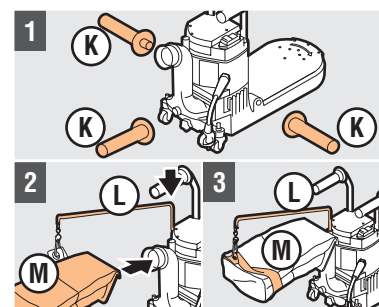
Mounting sanding disc

- 1 Do not plug A in power outlet
- 2 Place B, hold B tight and turn machine over
- 3 Remove C with D
- 4 Place E on F and tighten C
- 5 Turn E over. Verify that E is centred on F.
Caution! Mount E again if this is not centred!
- 6 Turn machine over to working position



Set work height

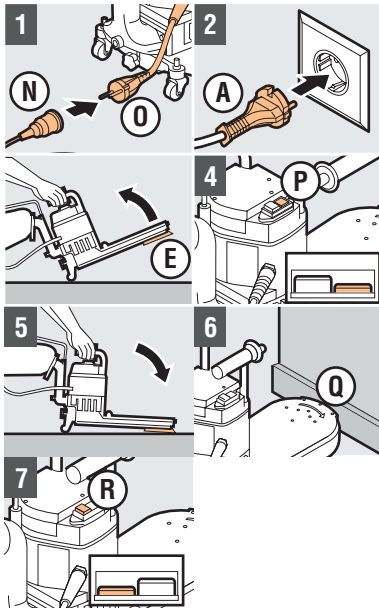
- 1 Loosen G and slide H up to maximum
- 2 Position J to work height
- 3 Tighten G



Mounting extra handles/dust bag

- 1 Place or remove K depending on usage
- 2 Insert L in opening and place M over pipe flange
- 3 Fasten belt of L to M

3. OPERATING EDGE SANDER



Work securely and carefully, follow the instructions. It is advisable to practice following the instructions by making a 'dry' run (without sanding disc, without rotary sanding roller) beforehand. You must feel confident of a correct and smooth operation beforehand! Before sanding, test the sanding results on an unobtrusive place and convince you of the correct result.

Caution! When sanding the floor there is a chance that the saw dust in **M** starts to smoulder (fire hazard)!

Caution! Always remove **M** if you take a break or finish your work!

4. AFTER USE

- 1 Remove **A** from the power outlet
- 2 Remove **E** and **M**
- 3 Clean the machine