

## FLOOR SANDER

### Instructions for Use and Safety

Parquet floor sanding machine is intended for sanding a flat (max. 2% sloping) and dry parquet floor. Machine cannot sand entire floor. Use the edge sander for the sides.



#### Caution!

Improper handling can injure the user or damage the device. Read the safety instructions first!

## SAFETY INSTRUCTIONS



#### Safety for user

- Wear a dust mask when a lot of dust develops (e.g. when emptying dust bag).
- Do not wear loose clothing.
- Ensure the work area is well ventilated.
- Always use earthed electrical outlets.
- Keep out of reach of children and pets.

#### Check before use

- Position of red on/off lever **G**. This lever must be locked.
- Position of drum lever **L**. The lever must be locked.
- Parquet flooring for nails and / or screws. Remove them, prevent damage to the abrasive roller.
- Protection covers. They must be attached and / or closed.
- Machine visually for defects.
- Damage of plug and power cord.

**Contact your rental company should you encounter any problems with the machine!**

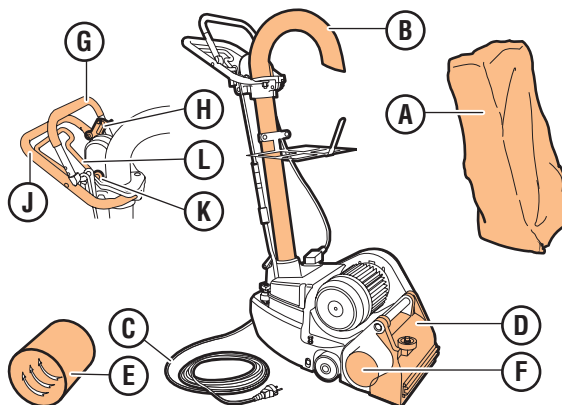
#### Safety during use

- **Never** pull the power cable to move machine.
- Replace dust bag when it is 1/3 filled.
- **Never** use machine with a damaged plug or power cord.
- Using an extension cable. Avoid power loss, use at minimum a 2.5 mm thick cable and keep the cable as short as possible. Unroll the cable all the way out.

#### Safety after operating

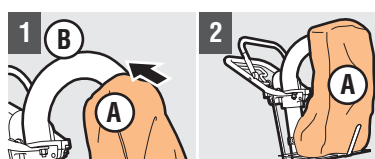
- After use remove the electric plug from the mains.
- Remove dust bag.

## 1. OPERATING FUNCTIONS



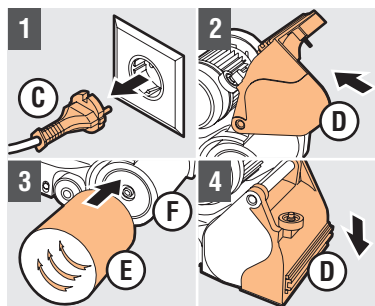
- |                                    |                             |
|------------------------------------|-----------------------------|
| <b>A</b> Dust bag                  | <b>G</b> On/Off lever (red) |
| <b>B</b> Dust extraction pipe      | <b>H</b> Lock on/off lever  |
| <b>C</b> Plug/power cord           | <b>J</b> Handle (black)     |
| <b>D</b> Drum protection guard     | <b>K</b> Release drum lever |
| <b>E</b> Sanding belt, 203 mm wide | <b>L</b> Drum control lever |
| <b>F</b> Sanding drum              |                             |

## 2. PREPARATION FOR USE



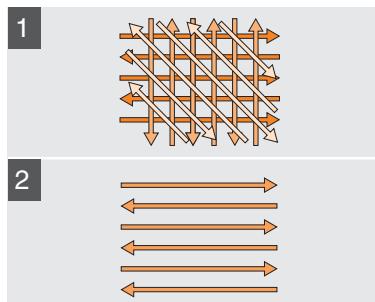
#### Place dust bag

- 1 Place **A** Over **B**
- 2 Place **A** on platform



#### Mount sanding belt

- 1 Do not plug **C** in mains
  - 2 Move **D** up
  - 3 Slide new undamaged **E** on **F** and align **E**
- Caution!** Direction arrows  
**E** = Direction of rotation **F!**
- 4 Lower **D**

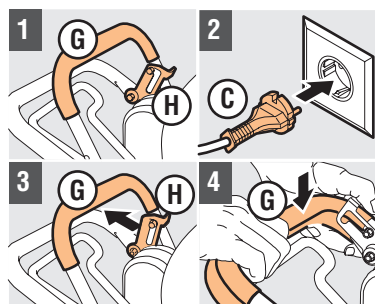


#### Sanding pattern

- 1 Sand herringbone parquet in 3 steps: 1x in length, 1x in transverse direction and 1x in angular direction
- 2 Sand strip parquet only in length direction

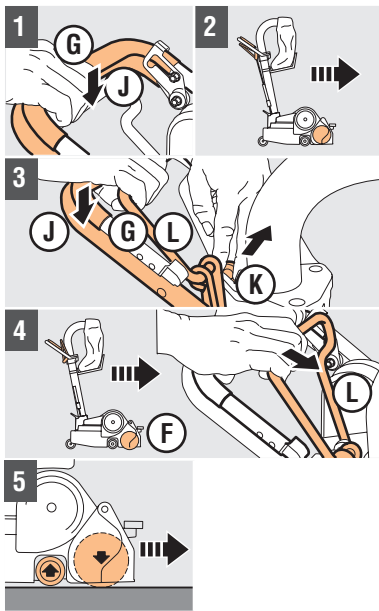
## 3. USE FLOOR SANDER

Work securely and carefully, follow the instructions. It is advisable to practice following the instructions by making a 'dry' run (without sanding belt, without rotating sanding drum beforehand. You must feel confident of a correct and smooth operation beforehand! Before sanding, test the sanding results on an unobtrusive place and convince yourself of a correct result.



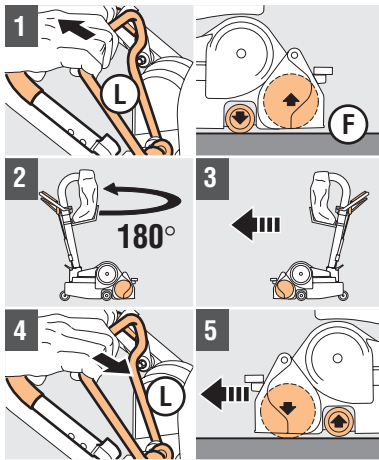
#### Starting the motor

- 1 Check locking function **G** with **H**
- 2 Plug **C** in grounded outlet
- 3 Operate **H** to release **G**
- 4 Press **G** with the right hand all the way down, the motor starts



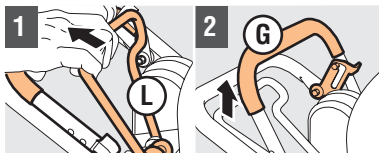
### Sanding

- 1 Hold **G** against **J**
  - 2 Move machine in abrasive direction
  - 3 Unlock **K** With left hand and hold **G**, **J** and **L** with right hand
  - 4 Move the machine slowly in the sanding direction and let **L** slowly go forward with your right hand until **F** contacts the parquet
  - 5 Sand the parquet
- Caution!** Continue to move machine, never stand still with a rotating roller while in contact with the parquet!



### Turn to the next sanding section

- Caution!** At the end of the sanding section, you must turn 180° without sanding! When turning ensure there is enough space. Turn on time.
- 1 Pull for **L** slowly towards yourself before reaching the turning point, **F** is no longer in contact with the parquet
  - 2 Hold machine upright and calmly turn 180°
  - 3 Move the machine slowly in the direction of new sanding section
  - 4 Move **L** forward with your right hand so that **F** slowly descends to the floor
  - 5 Sand the parquet



### Finishing sanding

- 1 Pull **L** slowly towards yourself until it's locked
- 2 Release **G** slowly until it's locked

## 4. AFTER USE

- 1 Remove **C** from power outlet
- 2 Remove dust bag **A** and dispose it
- 3 Clean machine