

TILE DONKEY (T-DONKEY)

Operating and safety Instructions

The T-Donkey is a mechanical device intended as a tool for transporting and shifting of large and heavy tiles.



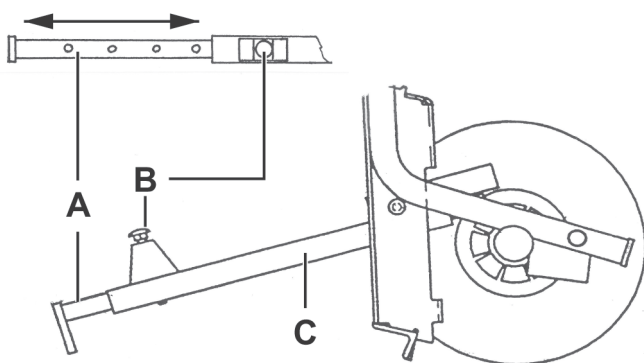
Caution! Incorrect operating and handling can lead to personal injury or damage to the device. Read the safety instructions first!

SAFETY INSTRUCTIONS



- Observe the warnings and indications in the manual and affixed on the T-Donkey.
- During work wear safety shoes and safety gloves.
- Users of the T-donkey should be familiar with this manual.
- Cordon off the workplace and keep bystanders at a safe distance.
- Keep children and pets out of reach of the T-Donkey.
- Never leave the T-donkey unattended.

1. FUNCTIONS



A Extendable bar
B Locking pin

C Hook

2. OPERATING

Position the hook (C) at the correct distance. The length of the hook needed depends on the size of the tiles being moved (see table).

Laying tiles

Tile size (cm)	30	40	50	60
Number of holes	shortest	2	4	6

Removing tiles

Tile size (cm)	30	40	50	60
Number of holes	shortest	1	3	5

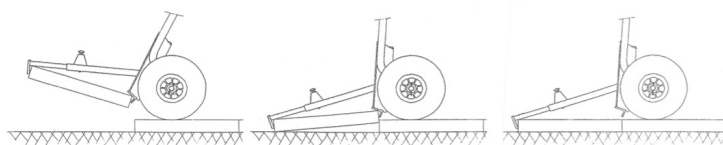
The table shows the correct position of the hook in regards to the size of the tile (in cm.). The position of the hook is indicated by the number of holes visible in the extendable bar.

The length of the hook to be used depends on the size of the tiles to be moved.

The length is easy to adjust:

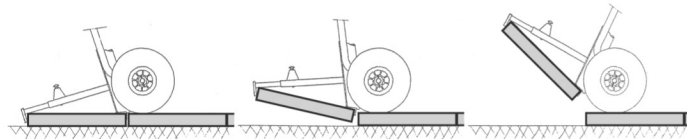
- Pull the locking pin (B)
- Slide the extendable bar (A) in or out until the correct position is set
- Secure the hook with the locking pin.

Laying tiles with the T-Donkey.



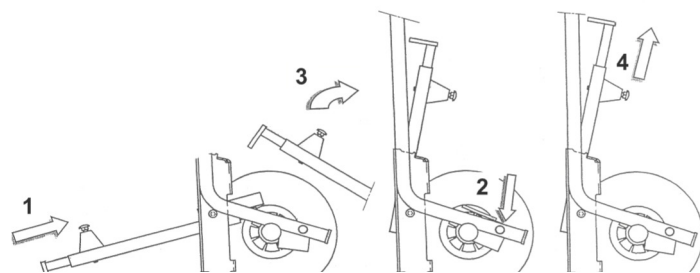
Caution! The use of additional levers (for example, inserting a steel rod into the frame) is not allowed.

Removing tiles with the T-Donkey.



Caution! The removed tiles may not be hindered by adjoining tiles when lifting.

Storage of the hook.



3. MAINTENANCE AND CLEANING

1. Clean the T-Donkey
2. Clean the workplace

Transport

Lock the hook at the front of frame.

Contact the rental company should you encounter problems with the device.

The product must be returned clean and undamaged.