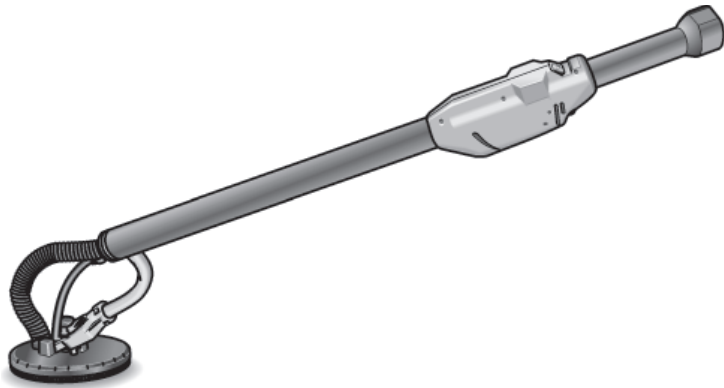


WALL/CEILING SANDER

Operating Instructions and Safety

Instructions Wall / ceiling sanding machine for dry sanding of walls and ceilings.



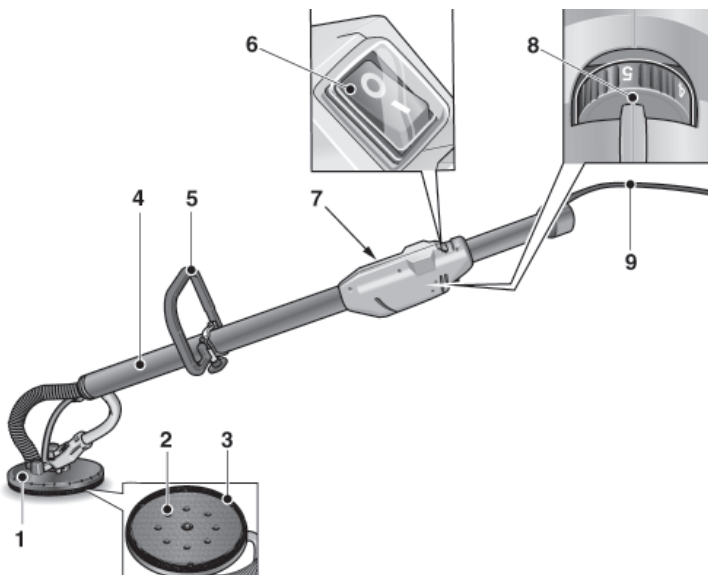
The sander is intended:

- For professional use in construction and trade
- For use with tools offered by the manufacturer and approved for speeds of at least 1650 rpm

SAFETY INSTRUCTIONS



1. OPERATING FUNCTIONS



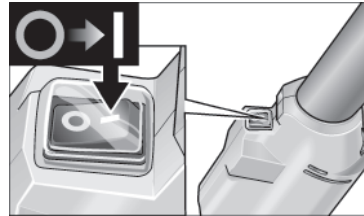
- | | |
|---|---------------------------------------|
| 1 Sanding head with gimbal bearing | 5 Bracket handle (optional accessory) |
| 2 Sanding plate / Velcro tool holder with Velcro adhesion | 6 On and off switch |
| 3 Protective cover with brush ring | 7 Type plate |
| 4 Main shaft | 8 Adjustable dial for preset speed |
| | 9 Power cord 4.0 m with plug |

2. OPERATING INSTRUCTIONS

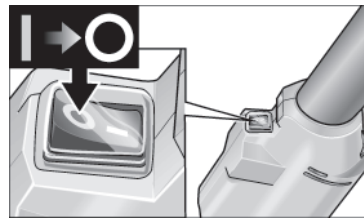
Mounting and replacing sanding accessories:

- **Caution!** Before starting work on the power tool always remove the power cord from the mains.
- Place the sanding accessories in the centre of the sanding head Velcro and press firmly.
- Run the tool unloaded to check if the sanding accessories are correctly mounted.

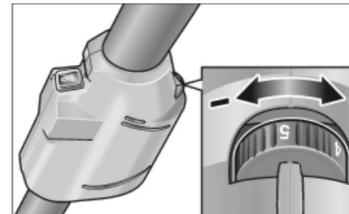
Turning power tool on and off



Enable device:
Switch on by pressing **I**.



Turn off device:
Press switch **0**.



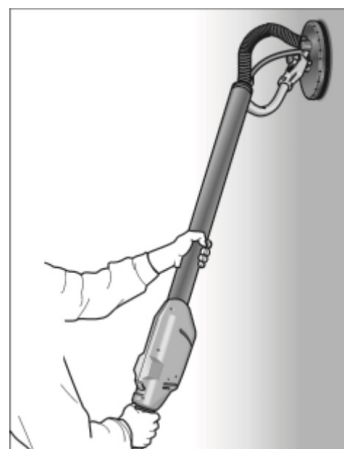
Turn off device:
Press switch **0**.

Use of a dust extractor

- **Caution!** When using the wall / ceiling sander, a Class M dust extractor must be connected.
- Connect the extraction hose to the extractor system. Observe the operating instructions of the extractor system. Check the attachment. If necessary, use a suitable adapter.

Working with the power tool

Caution - Hold the main shaft (4) with both hands. Do not hold your hands near the sanding head. Otherwise, a hand could be jammed, as the sanding head rotates in different directions.



1. Attach the sanding tool.
2. Connect the dust extraction system.
3. Insert mains plug.
4. Set the required speed.
5. Switch on the extractor system.
6. The wall / ceiling sander must be held with both hands on the main shaft (4).
7. Switch on the tool.
8. Press the wall / ceiling sander lightly against the work surface.
The pressure must be just enough to ensure that the sanding head is flush to

the work surface.

9. Increase the pressure to bring the sander head in contact with the work surface. Move the wall / ceiling sander with overlapping movements to smooth the work surface to the desired fineness.

Careful - The rotary sander plate may not come into contact with sharp protruding objects.

By touching protruding objects (such as nails, screws, electrical junction boxes) the sander plate can be severely damaged. In case of damage or severe wear of the sanding plate it can be replaced.

Sanding in dry construction

The wall / ceiling sander features a unique swivel head. Because this head can rotate in different directions, the sanding plate can be adjusted to the work surface. This allows you to sand the upper, middle and bottom parts of the wall or ceiling profiles without having to change the sander head position.

The pressure on the abrasive head during the work need only be enough to keep the sanding plate in contact with the surface being worked. Excessive pressure can cause an undesired spiral pattern and unevenness of the work surface.

Move the wall / ceiling sander evenly while the sanding plate is in contact with the work surface. When the wall / ceiling sander is stopped at the work surface or when the wall / ceiling grinder is moved unevenly, it can lead to an undesired spiral pattern and an uneven surface.

3. MAINTENANCE AND CLEANING

Contact your rental company should you encounter problems with the tool!

The product must be returned clean and undamaged.