

MORTAR MIXER

Use according to design

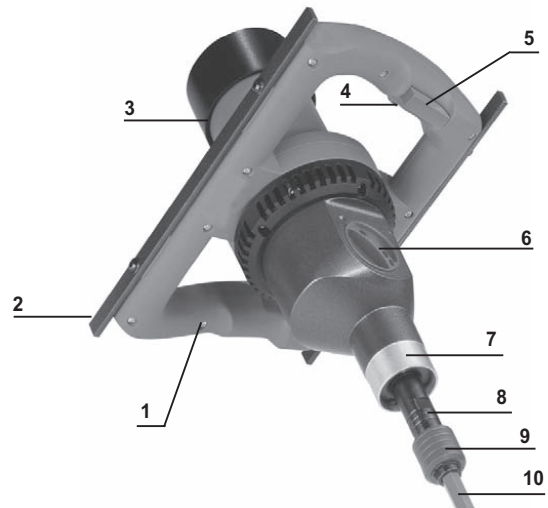
The machine is intended to mix liquid and powder based construction materials such as paints, mortars, glue, plasters and similar substances.

Depending on the consistency of the material and the amount to be mixed, the appropriate mixer must be used. When selecting the size (diameter) of the mixer take into account the respective technical data.

The machine is not suitable for mixing graphite-containing materials, saline or manure. Mixing these materials may damage the mixer beyond repair.



1. OPERATING FUNCTIONS



- | | |
|---|--|
| 1 Handle | 6 Gearselector switch |
| 2 Protective bracket | 7 Machine neck |
| 3 Ventilation slits | 8 Mixing shaft |
| 4 Security button against accidental switching on | 9 Unlocking collar |
| 5 ON / OFF switch with electronics | 10 Mixer (recommended mixer ø: 140 mm) |

SAFETY INSTRUCTIONS



- Be careful with long hair.
- Never use the machine in a humid conditions.
- Keep children and pets out of reach of the machine.
- Check that the machine is connected to a ground leakage switch (max. 30 mA).

Check before use

- Attachment of mixing rod.
- Machine visually for damage.
- Damage of plug and power cord.

Contact your rental company should you encounter any problems with the machine!

Safety during use

- Never pull the power cable to move machine.
- Never grab the rotating mixing rod.
- Handle plug and power cord with care.
- Never use the device with a damaged plug or power cord.
- Using an extension cable. Prevent power loss, use a minimum cable thickness of 2.5 mm and keep the extension cable as short as possible. Unroll the cable all the way out.

Safety after operating

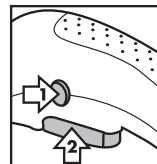
- After use remove the electric plug from the mains.

2. OPERATING



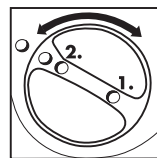
A Insert the mixing rod with HEXAFIX holder in the coupling until it snaps into place. To release the mixing rod, pull the release collar on the coupling: the mixing rod is released.

B Connect the machine to a 230 V power supply. 230 V devices can also run on 220 V.



ON/OFF switch

Always hold the machine with your two hands. Press the button preventing accidental activation (1). Press the ON / OFF switch (2). To stop mixing, release the ON / OFF switch.

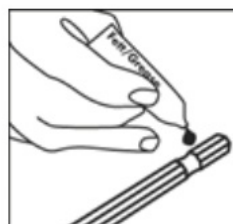


Gear selector switch

For two-speed gear units two rotating speeds are available (1st gear slow, 2nd gear fast). To change speed, turn the gear selector switch 180°.

3. MAINTENANCE

Remove the plug from the mains before operating the unit, even when changing the mixer.



Contact your rental company should you encounter any problems with the machine! The product must be returned clean and undamaged.