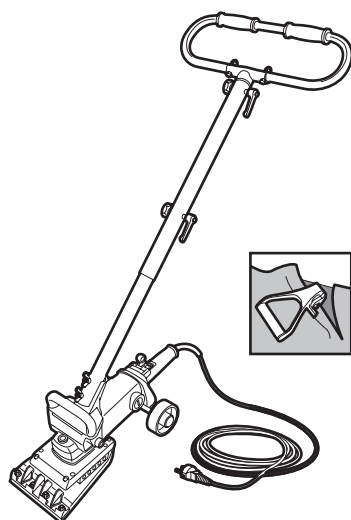


CARPET STRIPPER/ CARPET REMOVER

Instructions for Use and Safety

The carpet stripper is intended for the safe and quick removal of glued floor coverings in strips.



Caution!

Improper handling can injure the user or damage the device. Read the safety instructions first!

SAFETY INSTRUCTIONS



Safety for user

- Always use earthed electrical outlets.
- Keep out of reach of children and pets.

Check before use

- Foot switch position. This must be in OFF mode. (0 pushed in)
- Correct attachment of shaft and handles.
- Machine visually for defects.
- Damage of plug and power cord.

Contact your rental company should you encounter any problems with the machine!

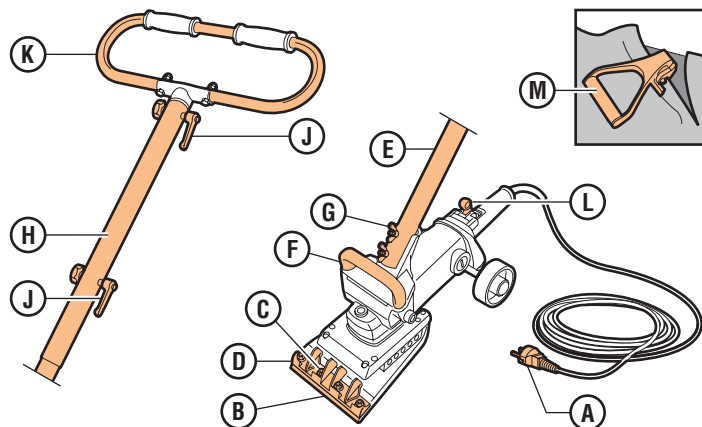
Safety during use

- Move machine only by the handle, never by pulling the power cord.
- Lead the power cord from the rear of the machine.
- Handle the plug and power cord with care.
- Never use machine with a damaged plug or power cord.
- Using an extension cable. Avoid power loss, use at minimum a 2.5 mm thick cable and keep the cable as short as possible. Unroll the cable all the way out.

Safety after operating

- After use remove the electric plug from the mains.

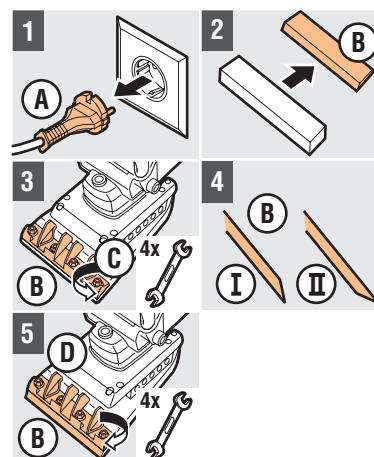
1. OPERATING FUNCTIONS



- A Plug / power cord
B Blade (with blade guard)
C Self-locking nut
D Blade holder
E Inner tube
F Transportation handle

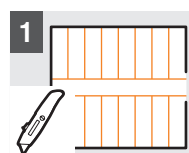
- G Wing nut
H Exterior tube (adjustable)
J Locking lever (2x)
K Handle
L Foot switch
M Carpet stripper

2. PREPARATION FOR USE



Mounting carpet stripper

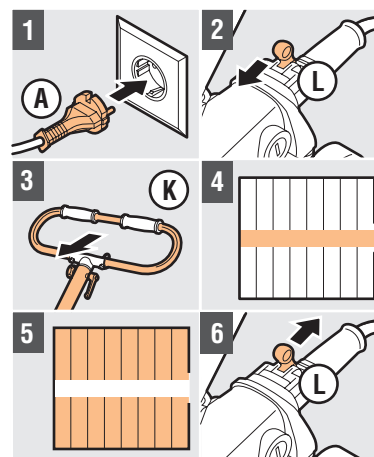
- 1 Do not plug **A** into the power outlet
- 2 Insert the blade guard **B** to prevent injury
- 3 Clean **C** from **D** and loosen **C** a couple of notches
- 4 Select the setting for **B**:
I Hard flooring
II Soft flooring
- 5 Mount **B** correctly on **D**



Pre-cutting the flooring

- 1 Cut the flooring with a Stanley knife in strips (width approx. 20 cm)

3. USING CARPET STRIPPER



- 1 Place **A** in an earthed outlet
- 2 Press **L** forward
- 3 Move machine with **K**
- 4 Remove first strip at right angles to work direction
- 5 Cut narrow strips with very secure bonded floor covering
Caution! Replace the knife when worn or bend!
- 6 Press **L** To the rear, to turn off the machine
Caution! Use **M** To remove carpet in a safe and fast way

4. AFTER USE

- 1 Unplug **A** form the mains
- 2 Replace blade guard **B** and disassemble **B**
- 3 Clean the machine